



US00D948309S

(12) **United States Design Patent** (10) **Patent No.:** **US D948,309 S**  
**Turk** (45) **Date of Patent:** **\*\* Apr. 12, 2022**

(54) **ANTIMICROBIAL DOOR PULL**  
(71) Applicant: **Gallery Specialty Hardware Ltd.,**  
Downsview (CA)  
(72) Inventor: **David A. Turk,** Downsview (CA)  
(73) Assignee: **Gallery Specialty Hardware Ltd.,**  
Downsview (CA)  
(\*\*) Term: **15 Years**  
(21) Appl. No.: **29/730,159**  
(22) Filed: **Apr. 1, 2020**  
(51) **LOC (13) Cl.** ..... **08-06**  
(52) **U.S. Cl.**  
USPC ..... **D8/314**  
(58) **Field of Classification Search**  
USPC ..... D8/300–302, 307, 308, 313–314, 404  
CPC ..... E05B 1/0053; E05B 1/0015; Y10T 16/458  
See application file for complete search history.

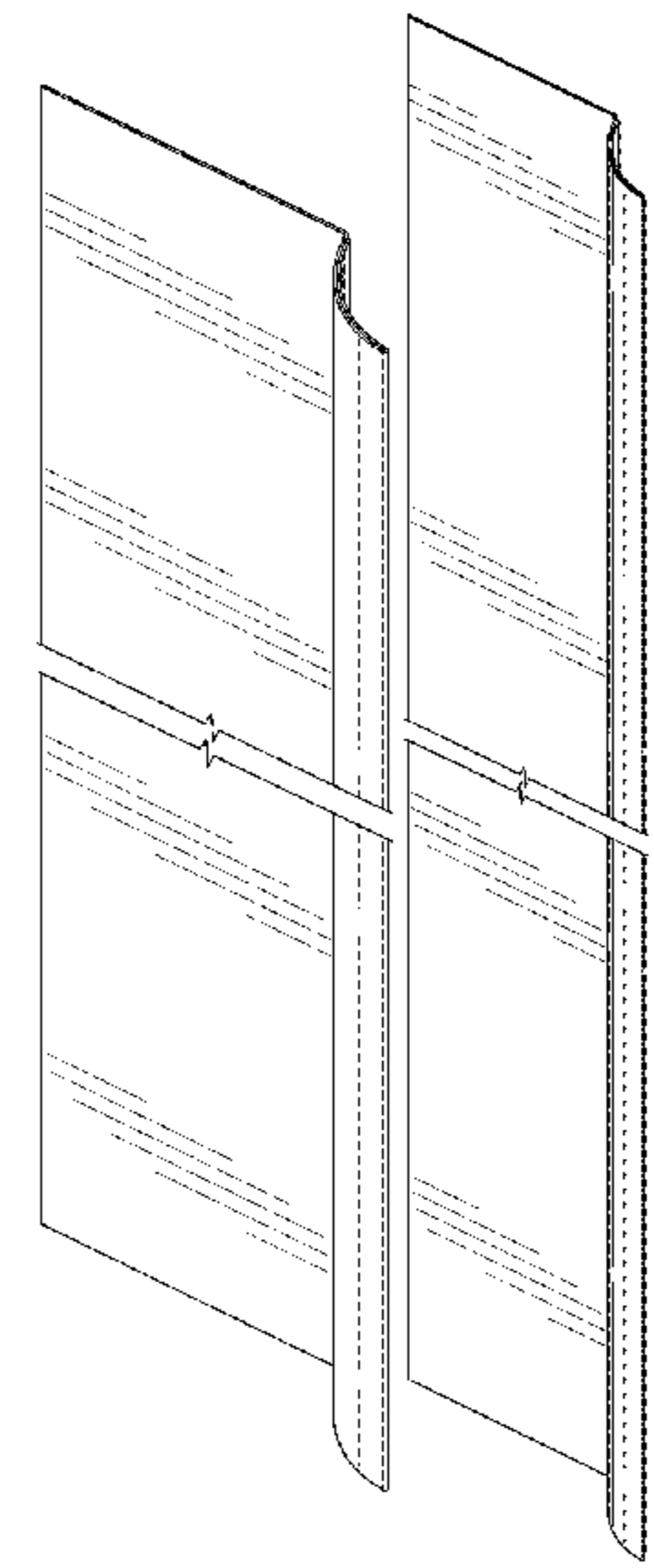
(56) **References Cited**  
U.S. PATENT DOCUMENTS  
3,107,389 A \* 10/1963 Engelbrecht ..... A47B 47/04  
16/416  
D232,518 S \* 8/1974 McCoy ..... D8/371  
D375,671 S \* 11/1996 Heithe ..... D8/301  
D398,795 S \* 9/1998 Zapf ..... D6/705.5  
D405,346 S \* 2/1999 Heithe ..... D8/346  
D417,833 S \* 12/1999 Heithe ..... D8/301  
D493,687 S \* 8/2004 Ayrest ..... D8/314  
D514,919 S \* 2/2006 Czerwinski ..... D8/314  
D580,254 S \* 11/2008 Miska ..... D8/300  
D814,193 S \* 4/2018 Peleg ..... D3/318  
10,844,627 B2 \* 11/2020 Herman ..... E05B 1/0053  
2017/0037654 A1 \* 2/2017 Longest ..... E05B 1/0015

\* cited by examiner  
*Primary Examiner* — Lauren R Calve  
(74) *Attorney, Agent, or Firm* — Bereskin & Parr LLP

(57) **CLAIM**  
The ornamental design for an antimicrobial door pull, as shown and described.

**DESCRIPTION**  
FIG. 1 is a front perspective view of a first embodiment of an antimicrobial door pull in accordance with the present design, shown deployed on a door;  
FIG. 2 is a front perspective view of the first embodiment of the antimicrobial door pull;  
FIG. 3 is a rear perspective view thereof;  
FIG. 4 is a left side view thereof;  
FIG. 5 is front view thereof;  
FIG. 6 is a right side view thereof;  
FIG. 7 is a back view thereof;  
FIG. 8 is a top plan view thereof;  
FIG. 9 is a bottom plan view thereof;  
FIG. 10 is a front perspective view of a second embodiment of an antimicrobial door pull in accordance with the present design, shown deployed on a door;  
FIG. 11 is a front perspective view of the second embodiment of the antimicrobial door pull;  
FIG. 12 is a rear perspective view thereof;  
FIG. 13 is a left side view thereof;  
FIG. 14 is a front view thereof;  
FIG. 15 is a right side view thereof;  
FIG. 16 is a back view thereof;  
FIG. 17 is a top view thereof; and,  
FIG. 18 is a bottom view thereof.  
The broken lines in the Figures depict environment that forms no part of the claimed design.  
The claim is shown with a symbolic break in its length. The appearance of any portion of the article between the break lines forms no part of the claimed design.

**1 Claim, 12 Drawing Sheets**



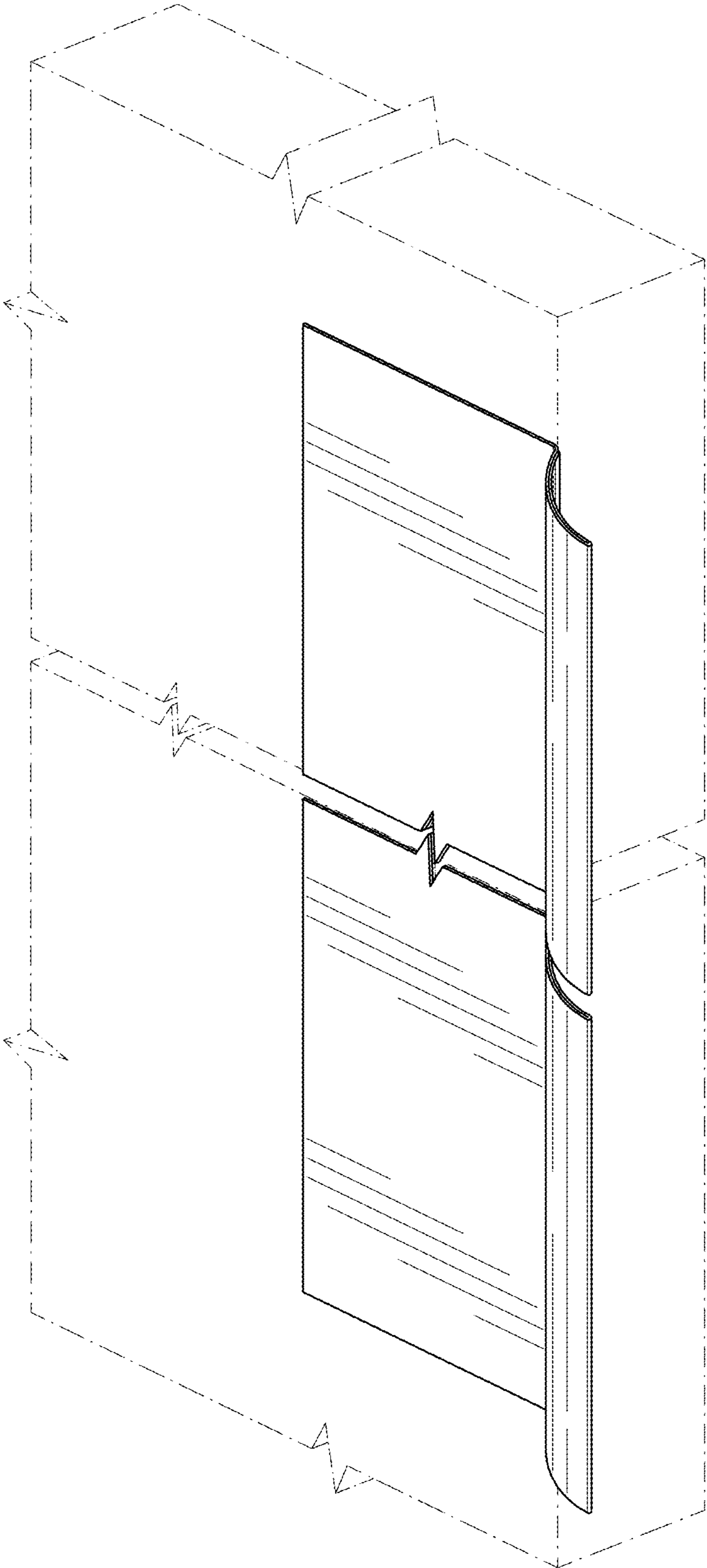
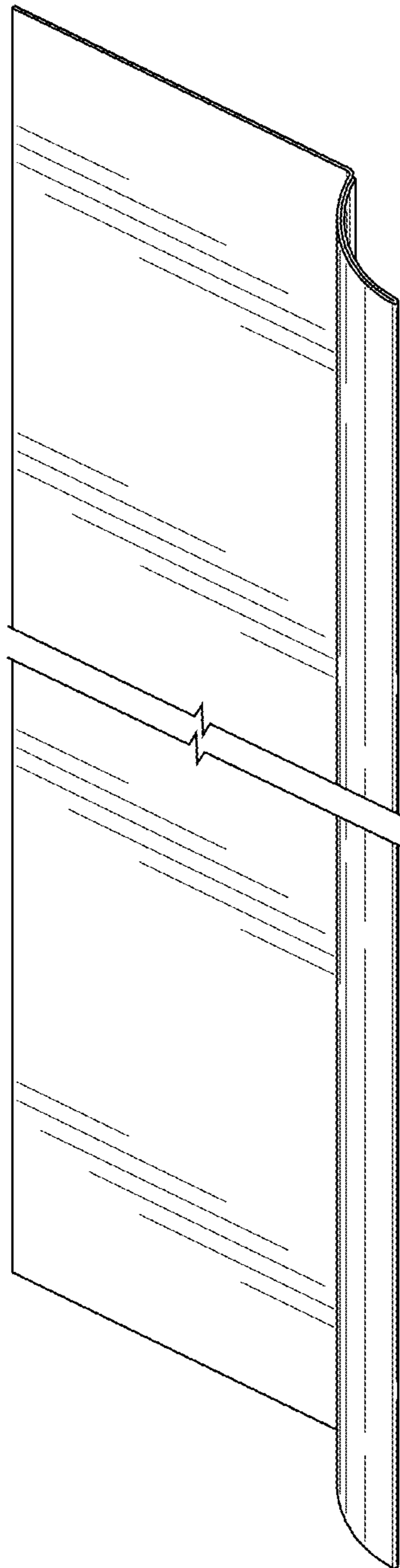


FIG. 1



**FIG. 2**

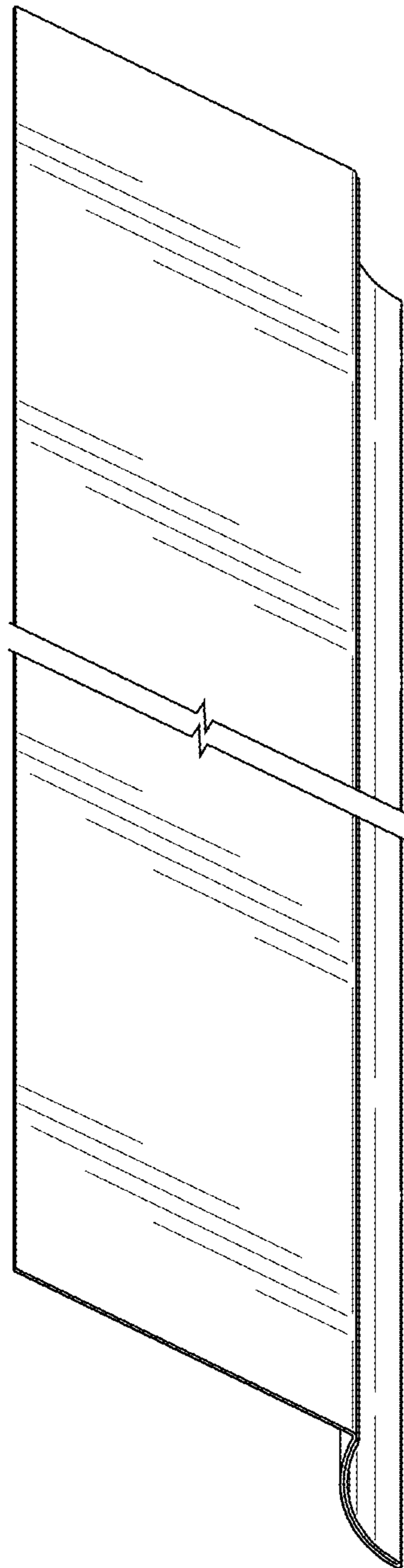


FIG. 3

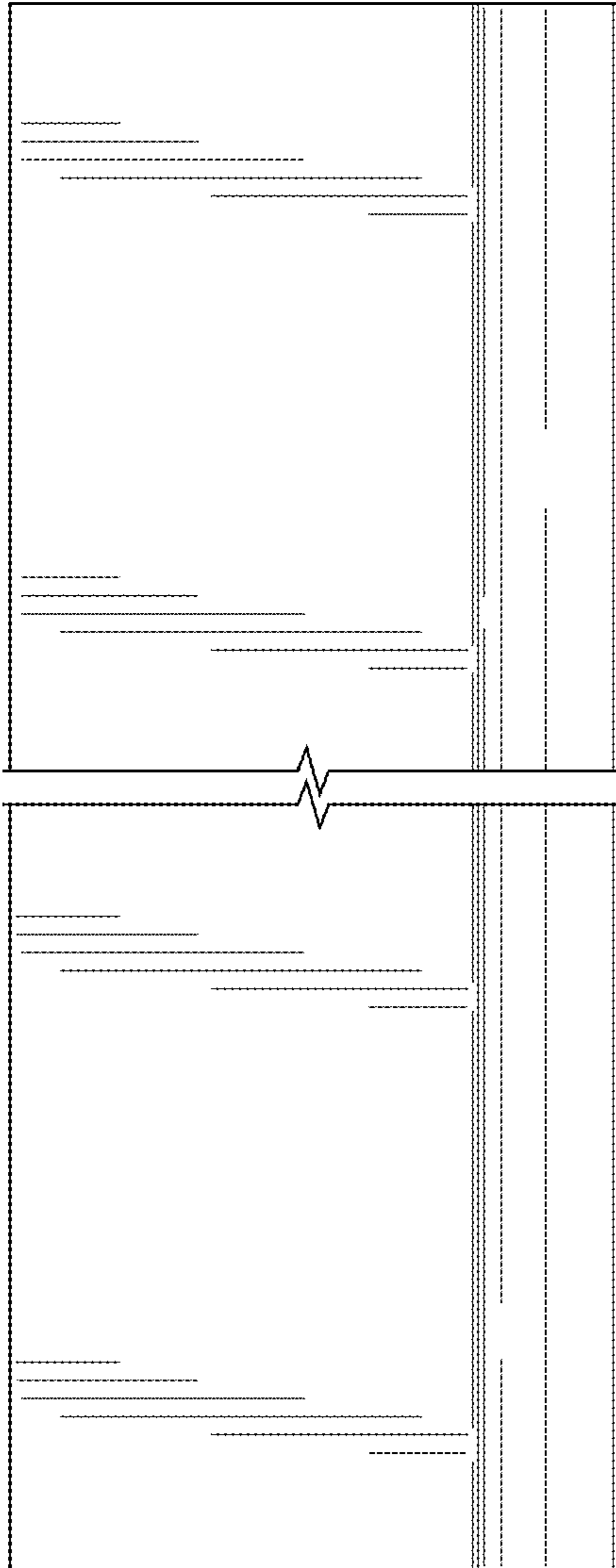


FIG. 4



FIG. 5

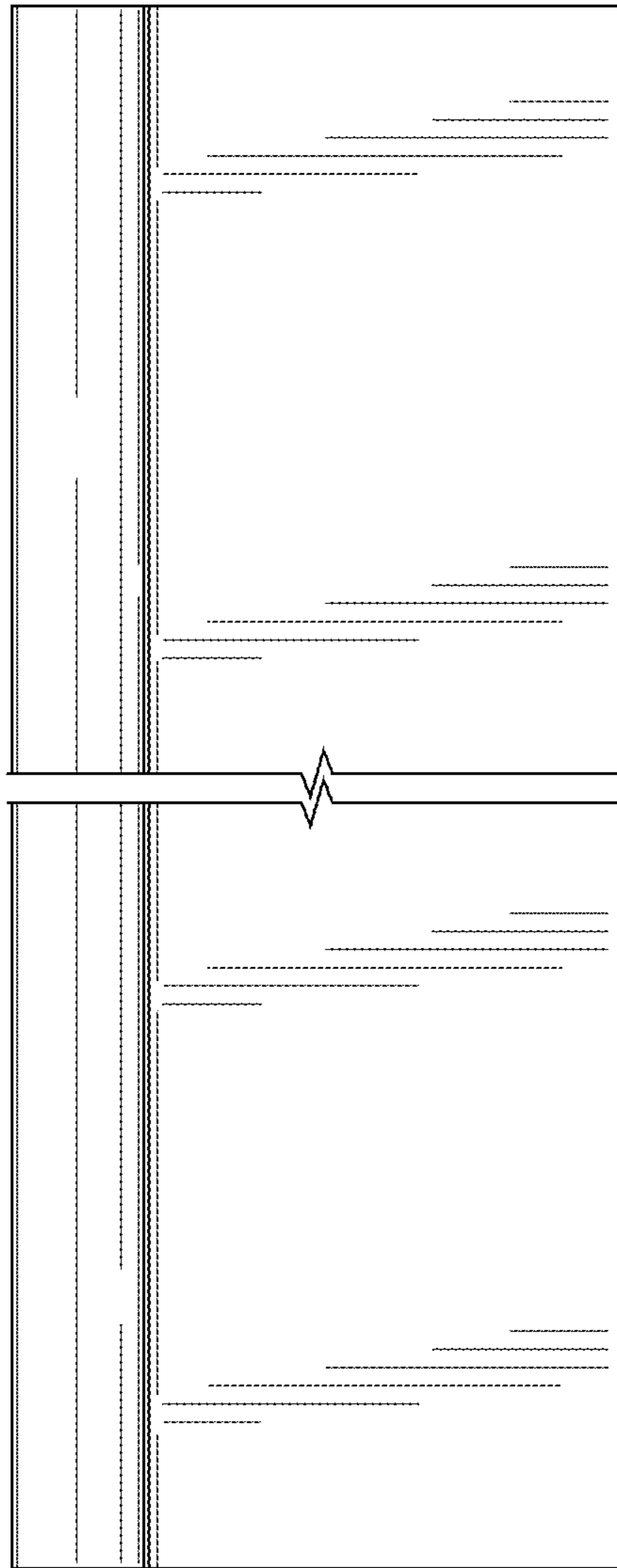


FIG. 6

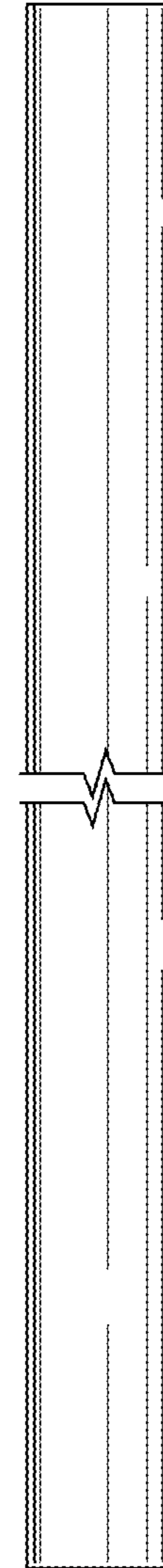


FIG. 7



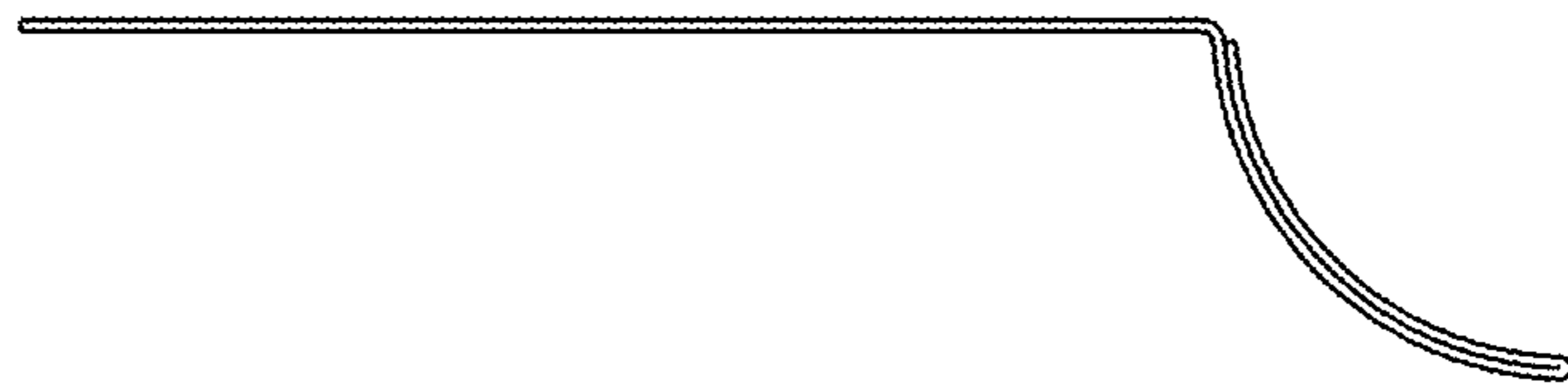


FIG. 8



FIG. 9

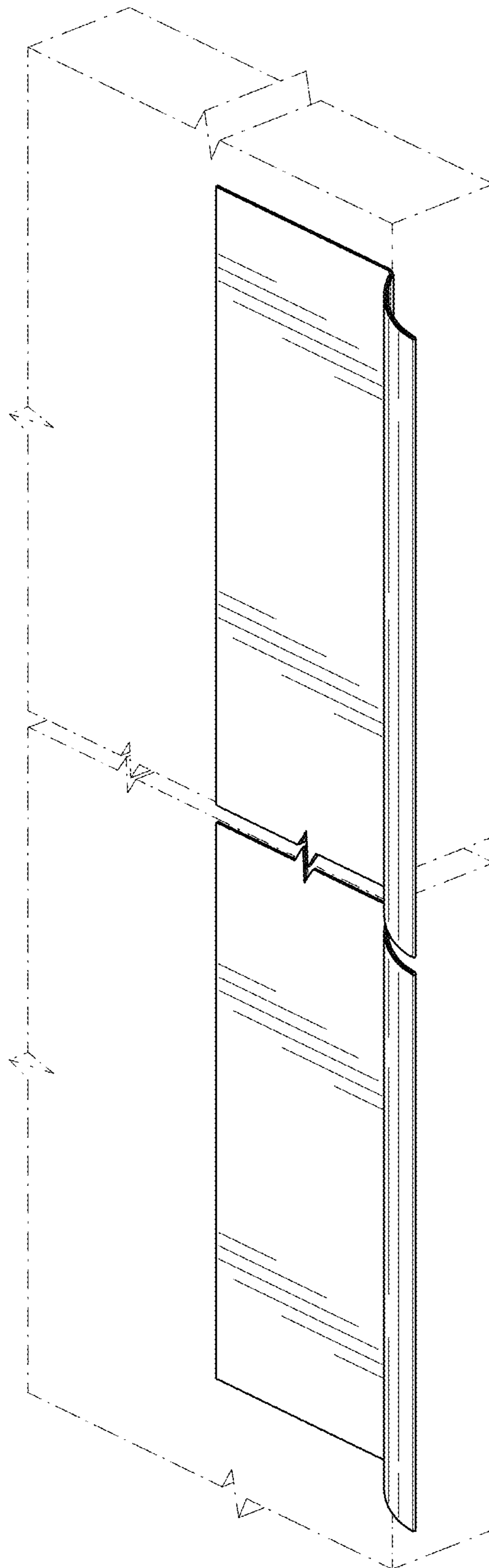


FIG. 10



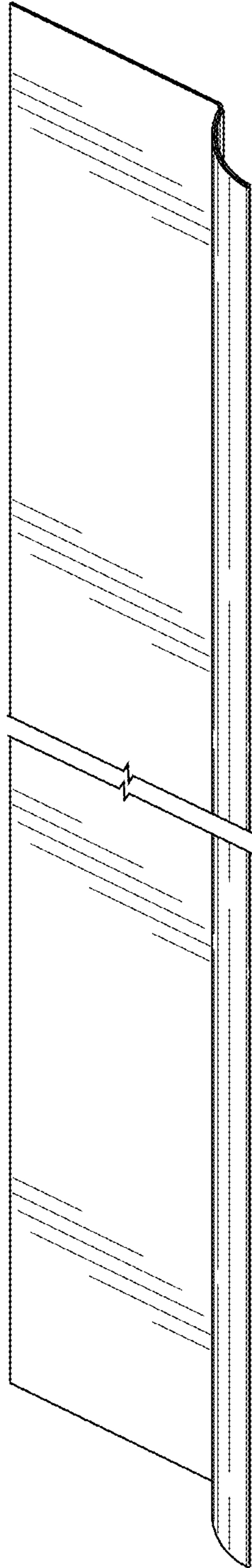


FIG. 11

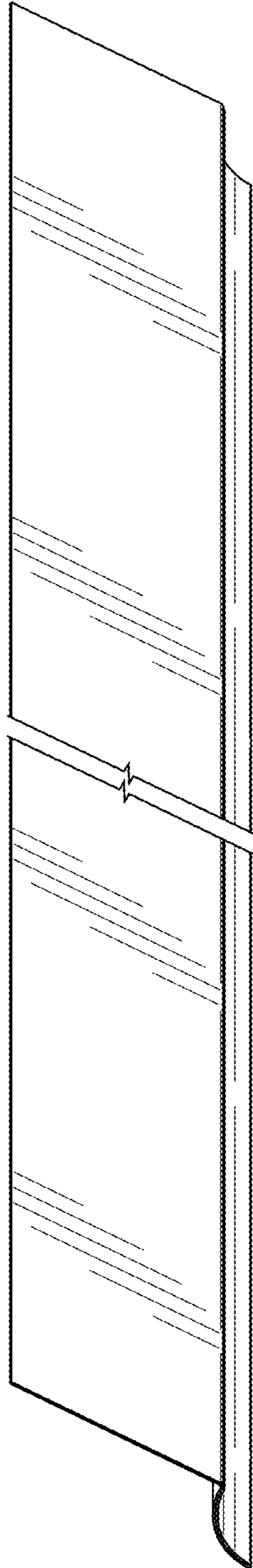


FIG. 12

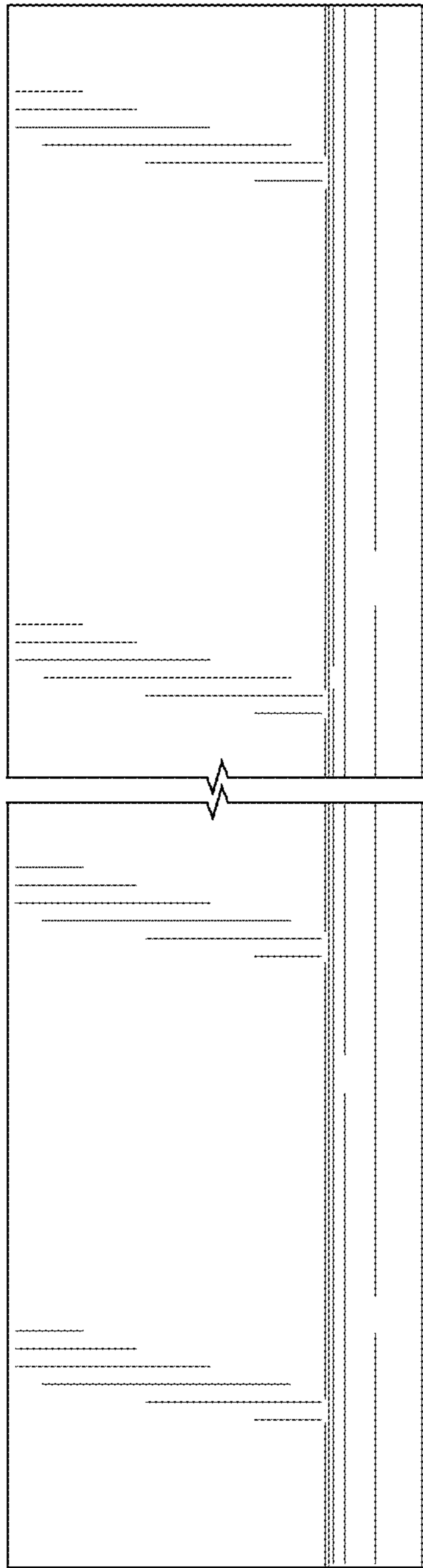


FIG. 13

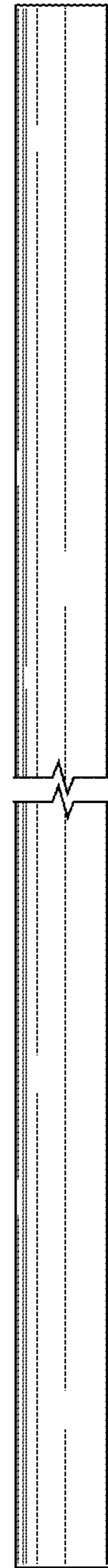


FIG. 14

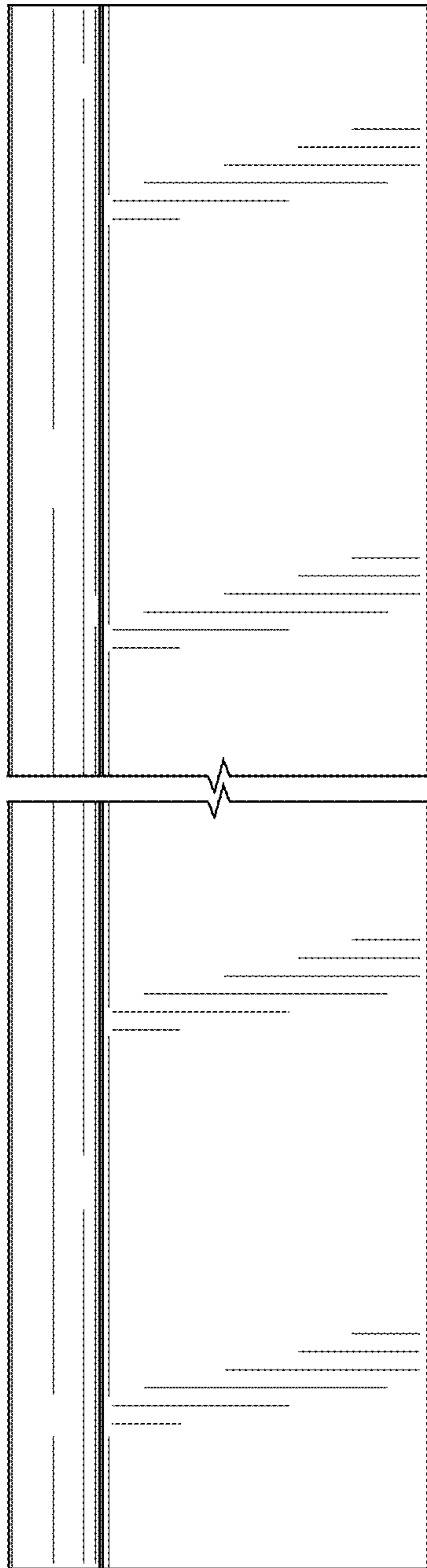


FIG. 15



FIG. 16

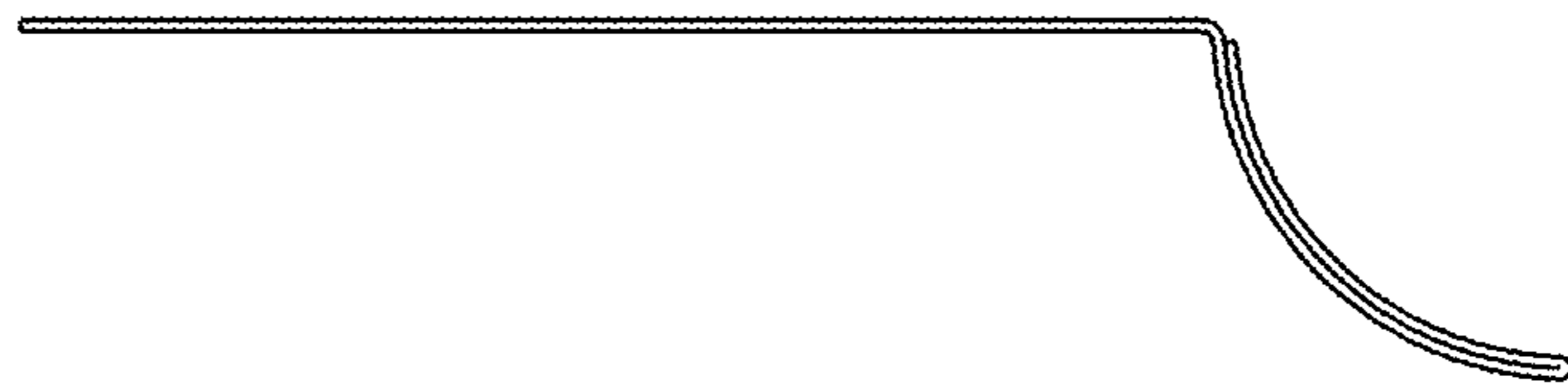


FIG. 17



FIG. 18