

US00D948308S

(12) **United States Design Patent** (10) **Patent No.:** **US D948,308 S**
Turk (45) **Date of Patent:** **** Apr. 12, 2022**

(54) **ANTIMICROBIAL DOOR WRAP**
(71) Applicant: **Gallery Specialty Hardware Ltd.,**
Downsview (CA)
(72) Inventor: **David A. Turk,** Downsview (CA)
(73) Assignee: **Gallery Specialty Hardware Ltd.,**
Downsview (CA)
(**) Term: **15 Years**
(21) Appl. No.: **29/730,158**
(22) Filed: **Apr. 1, 2020**
(51) **LOC (13) Cl.** **08-06**
(52) **U.S. Cl.**
USPC **D8/314**
(58) **Field of Classification Search**
USPC D8/300–302, 307, 308, 313–314, 404
CPC E05B 1/0053; E05B 1/0015; Y10T 16/458
See application file for complete search history.

(56) **References Cited**
U.S. PATENT DOCUMENTS
3,107,389 A * 10/1963 Engelbrecht A47B 47/04
16/416
D232,518 S * 8/1974 McCoy D8/371
D375,671 S * 11/1996 Heithe D8/301
D398,795 S * 9/1998 Zapf D6/705.5
D405,346 S * 2/1999 Heithe D8/346
D417,833 S * 12/1999 Heithe D8/301
D493,687 S * 8/2004 Ayrest D8/314
D514,919 S * 2/2006 Czerwinski D8/314
D580,254 S * 11/2008 Miska D8/300
D814,193 S * 4/2018 Peleg D3/318
10,844,627 B2 * 11/2020 Herman E05B 1/0053
2017/0037654 A1 * 2/2017 Longest E05B 1/0015

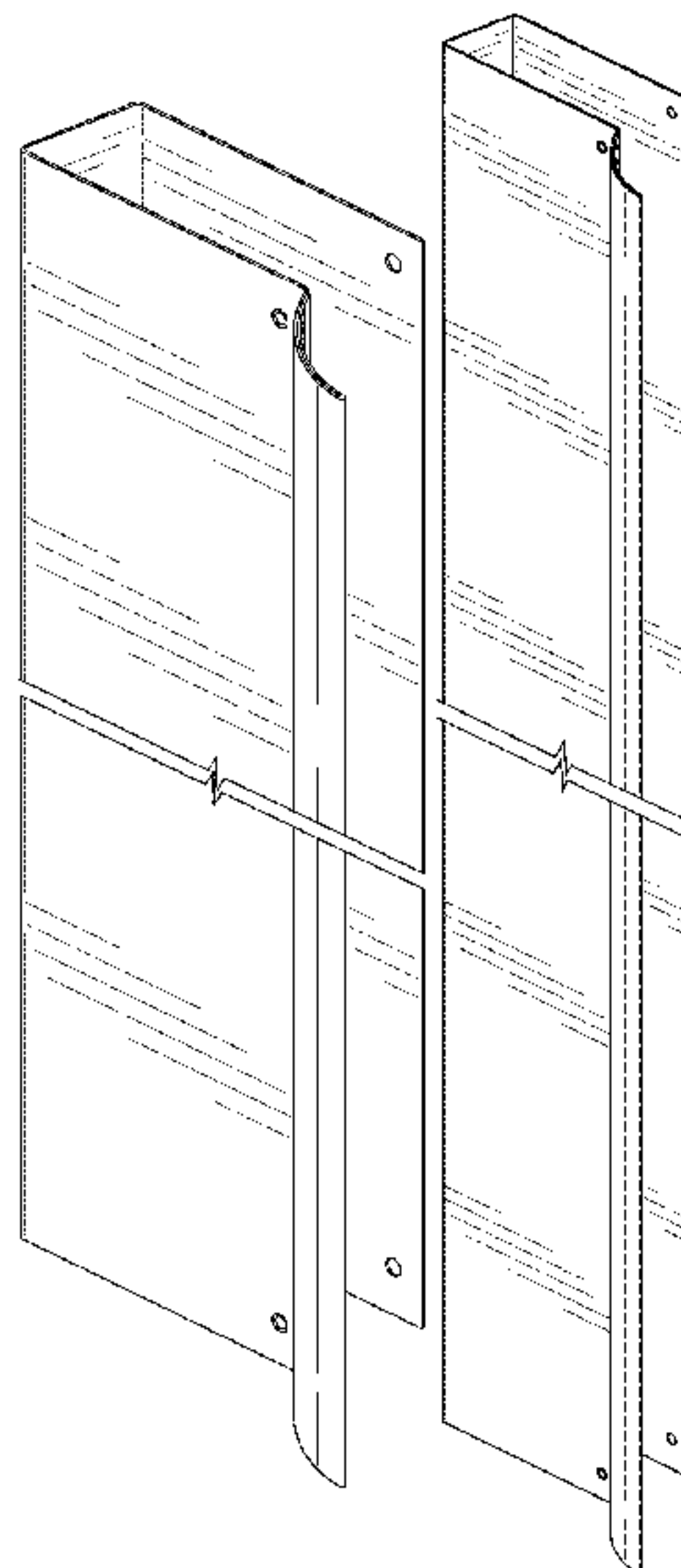
* cited by examiner

Primary Examiner — Lauren R Calve
(74) *Attorney, Agent, or Firm* — Bereskin & Parr LLP

(57) **CLAIM**
The ornamental design for an antimicrobial door wrap, as shown and described.

DESCRIPTION
FIG. 1 is a front perspective view of a first embodiment of an antimicrobial door wrap in accordance with the present design, shown deployed on a door;
FIG. 2 is a front perspective view of the first embodiment of the antimicrobial door wrap;
FIG. 3 is a rear perspective view thereof;
FIG. 4 is a left side view thereof;
FIG. 5 is front view thereof;
FIG. 6 is a right side view thereof;
FIG. 7 is a back view thereof;
FIG. 8 is a top plan view thereof;
FIG. 9 is a bottom plan view thereof;
FIG. 10 is a front perspective view of a second embodiment of an antimicrobial door wrap in accordance with the present design, shown deployed on a door;
FIG. 11 is a front perspective view of the second embodiment of the antimicrobial door wrap;
FIG. 12 is a rear perspective view thereof;
FIG. 13 is a left side view thereof;
FIG. 14 is a front view thereof;
FIG. 15 is a right side view thereof;
FIG. 16 is a back view thereof;
FIG. 17 is a top view thereof; and,
FIG. 18 is a bottom view thereof.
The broken lines in the Figures depict environment that forms no part of the claimed design.
The claim is shown with a symbolic break in its length. The appearance of any portion of the article between the break lines forms no part of the claimed design.

1 Claim, 12 Drawing Sheets



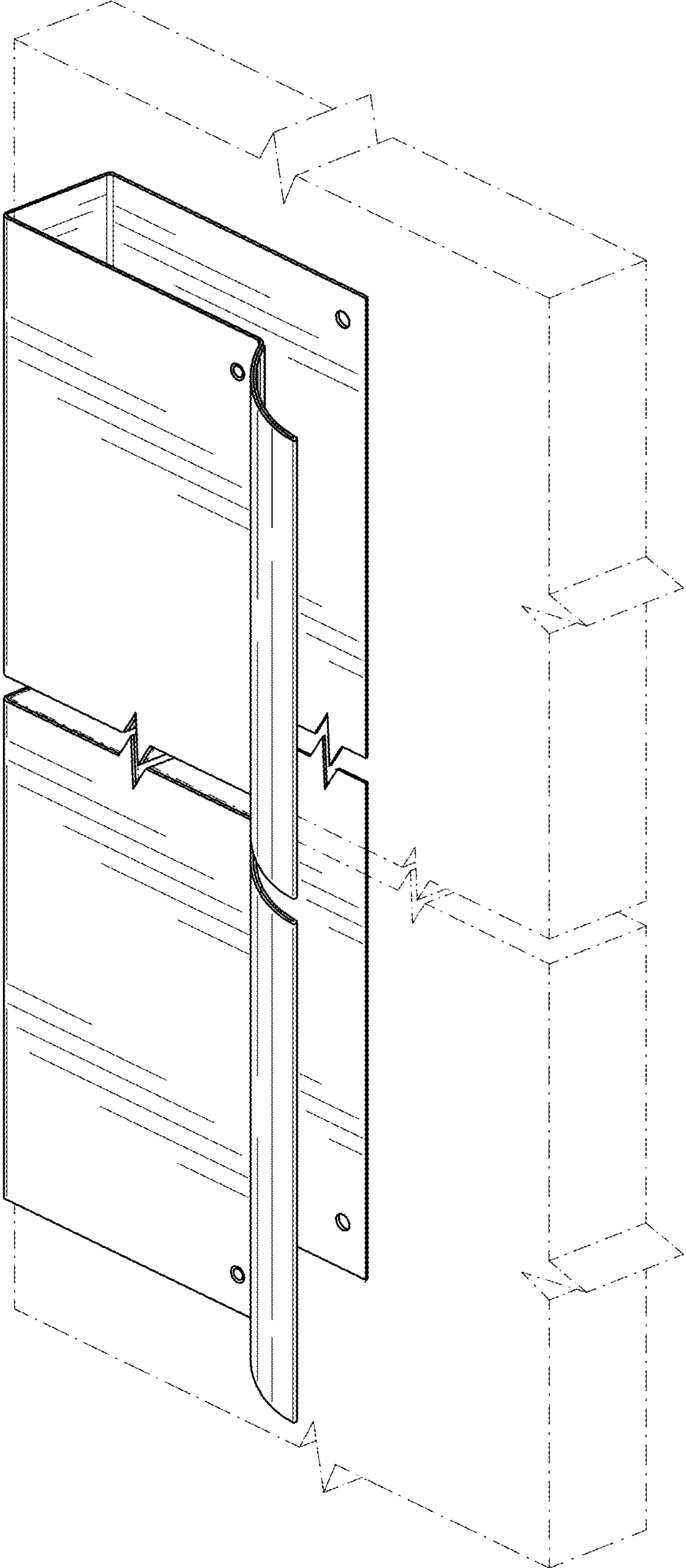


FIG. 1

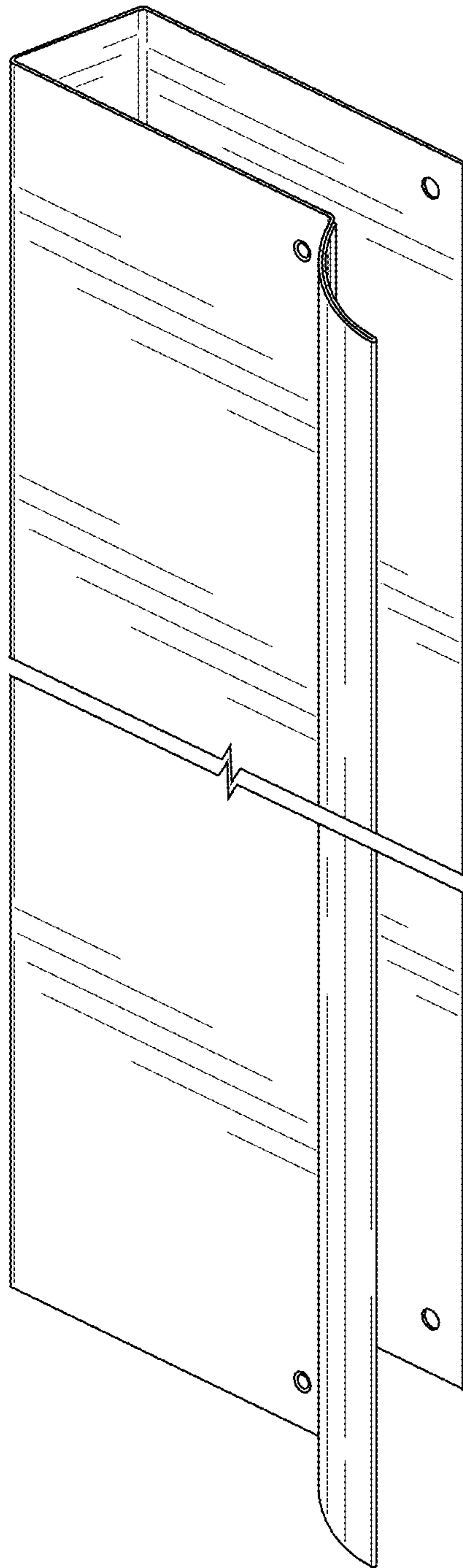


FIG. 2

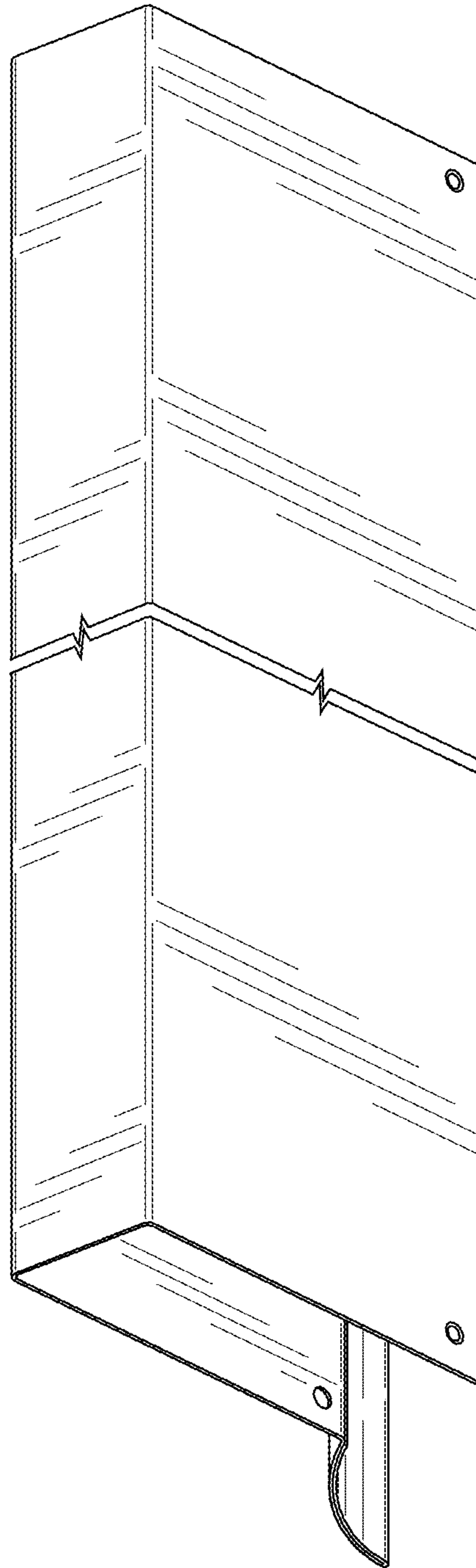


FIG. 3

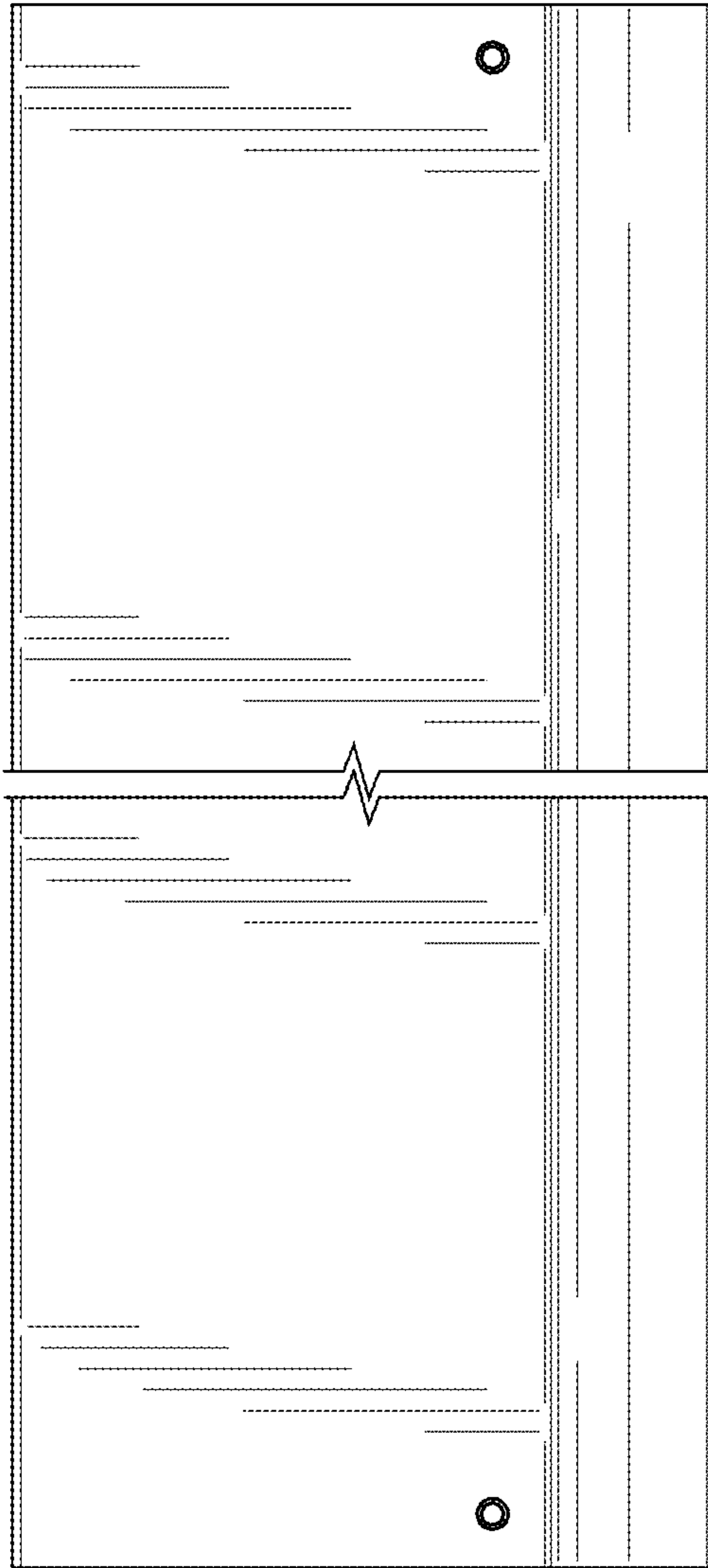


FIG. 4

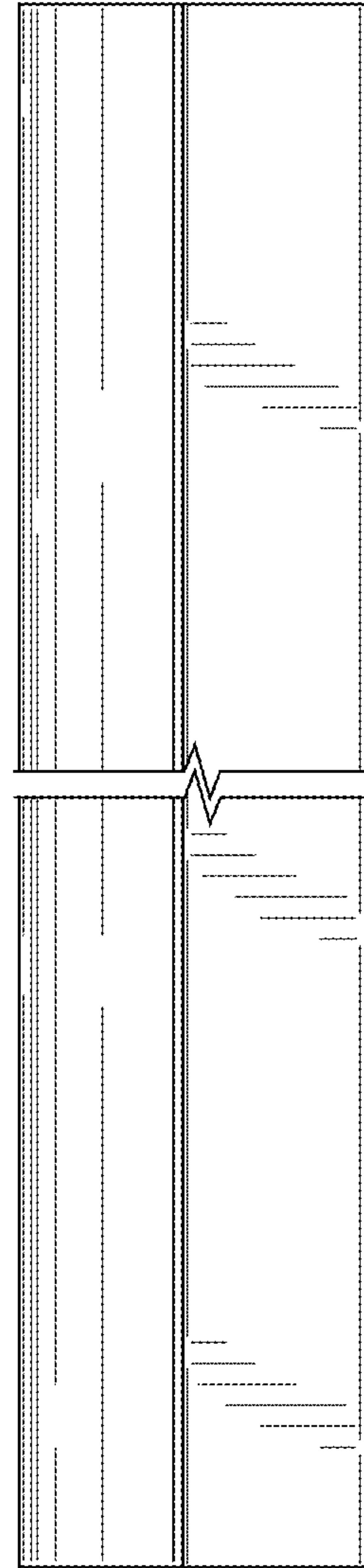


FIG. 5

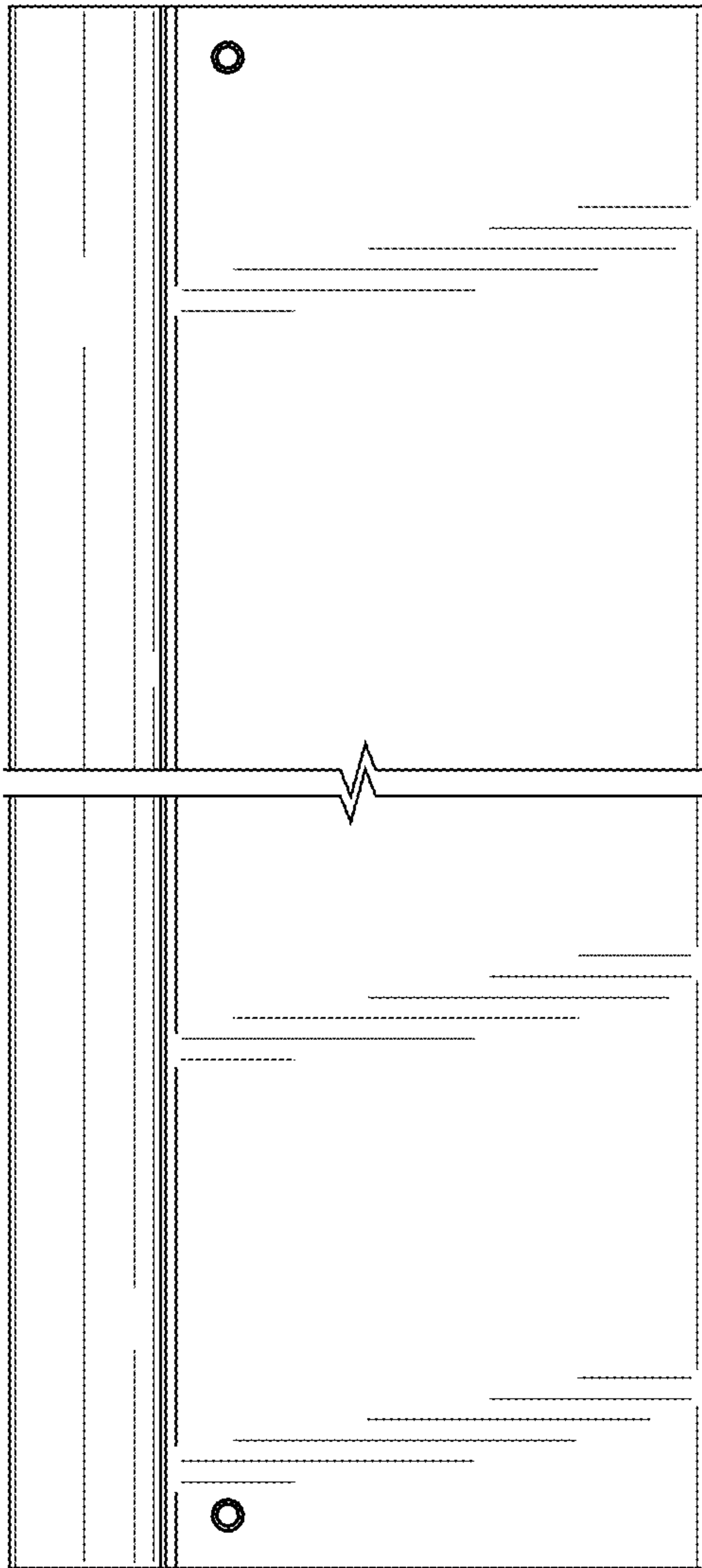


FIG. 6

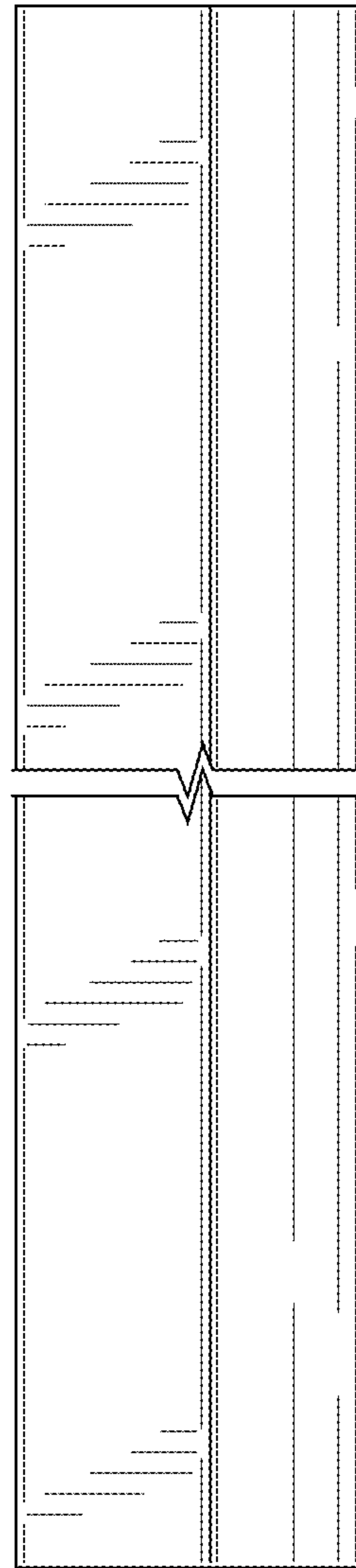


FIG. 7

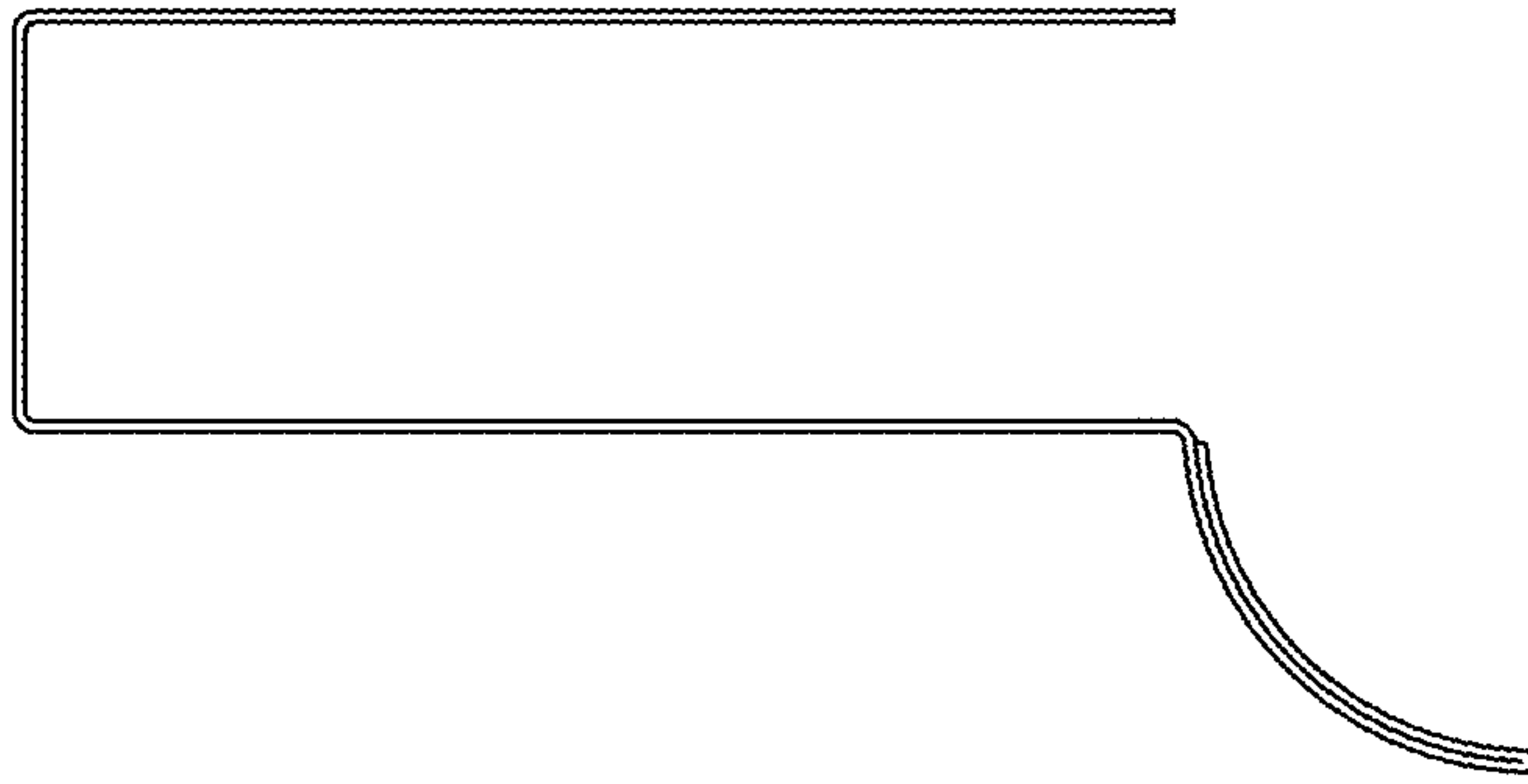


FIG. 8

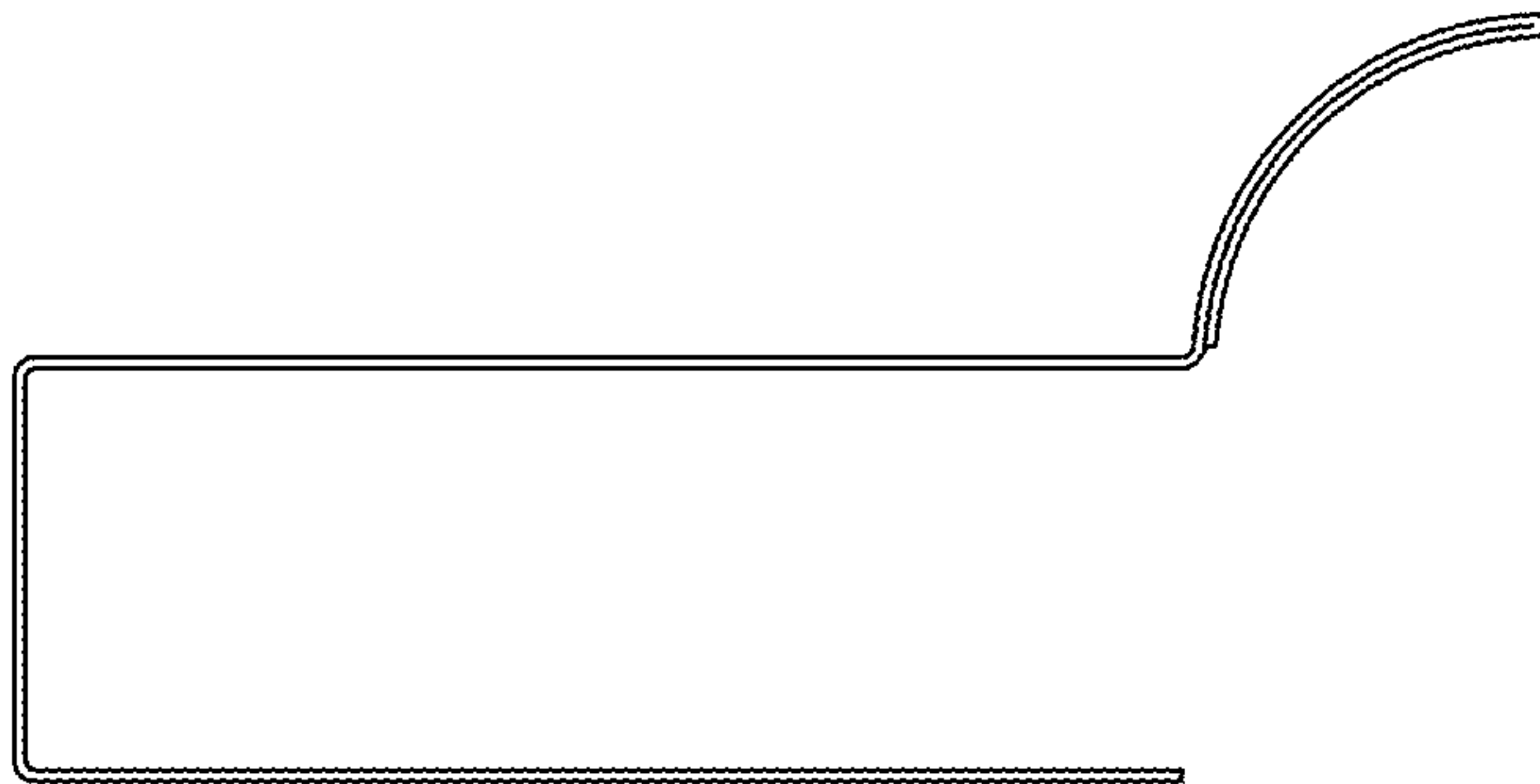


FIG. 9

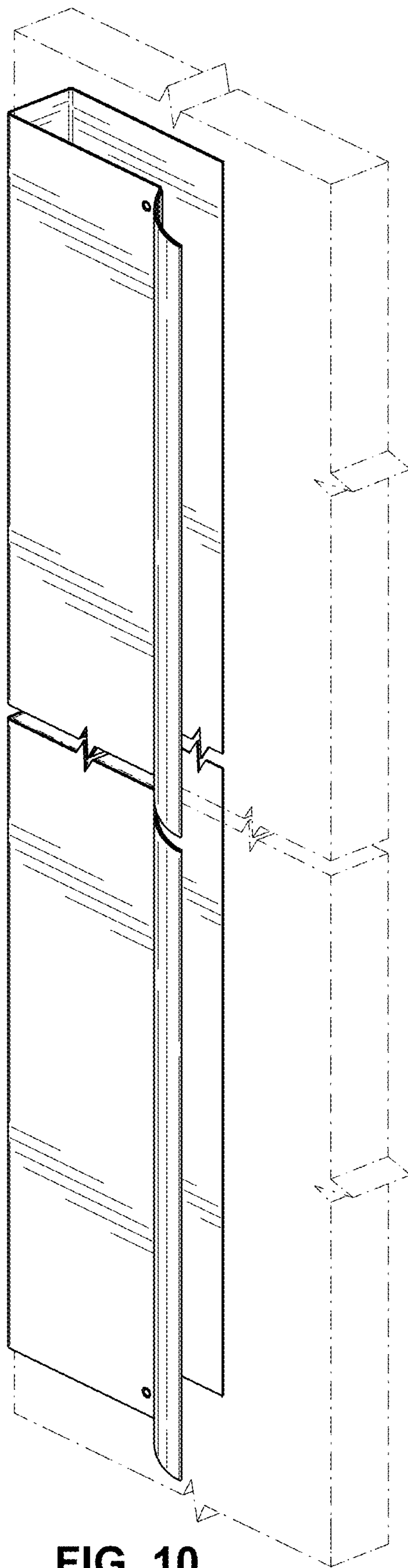


FIG. 10

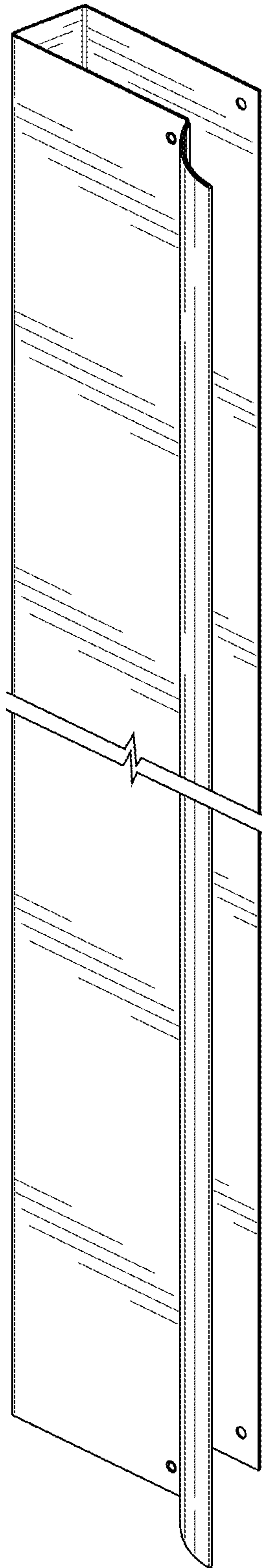


FIG. 11

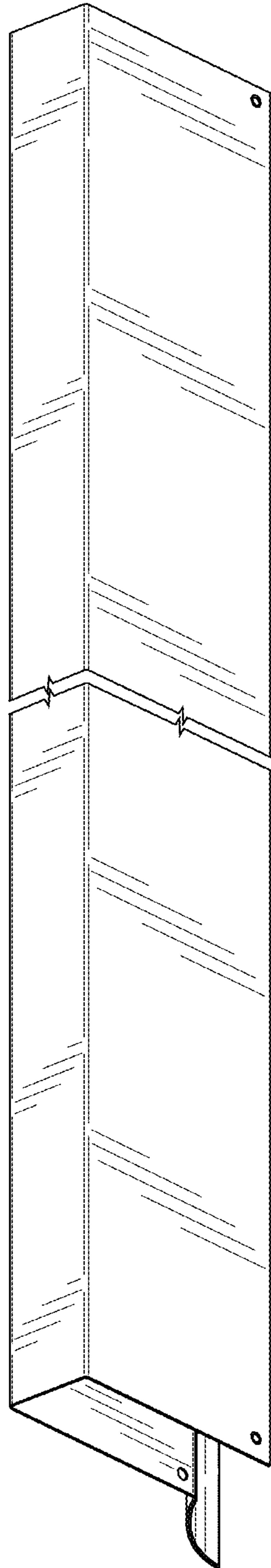


FIG. 12

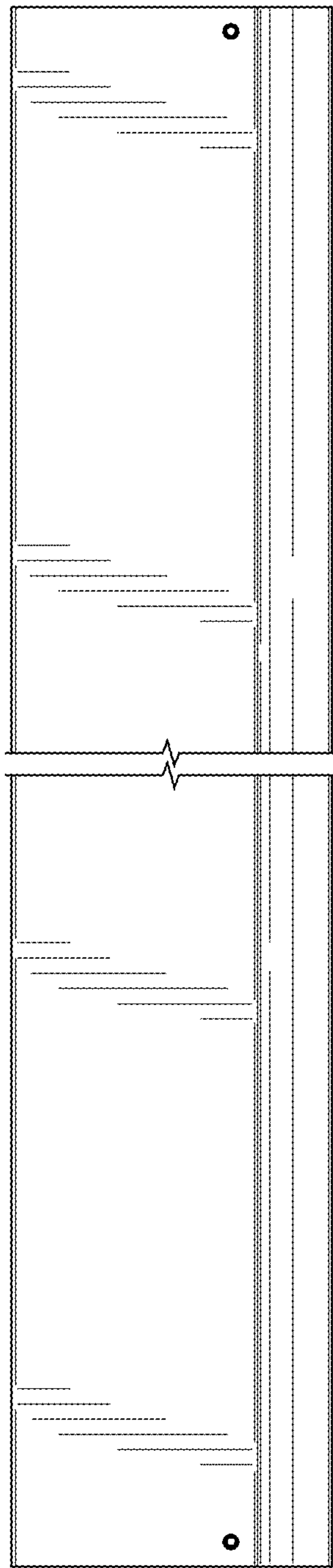


FIG. 13

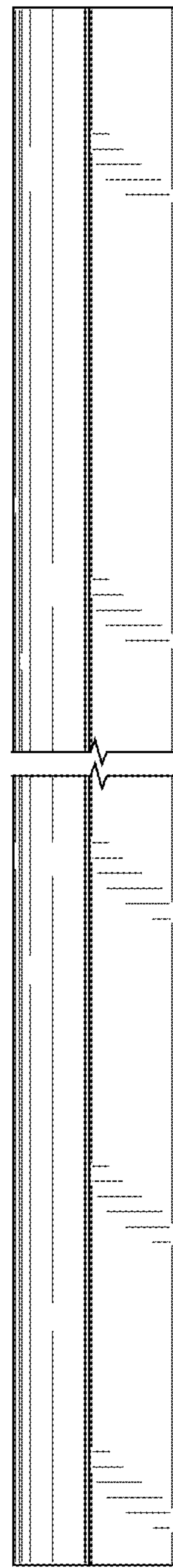


FIG. 14

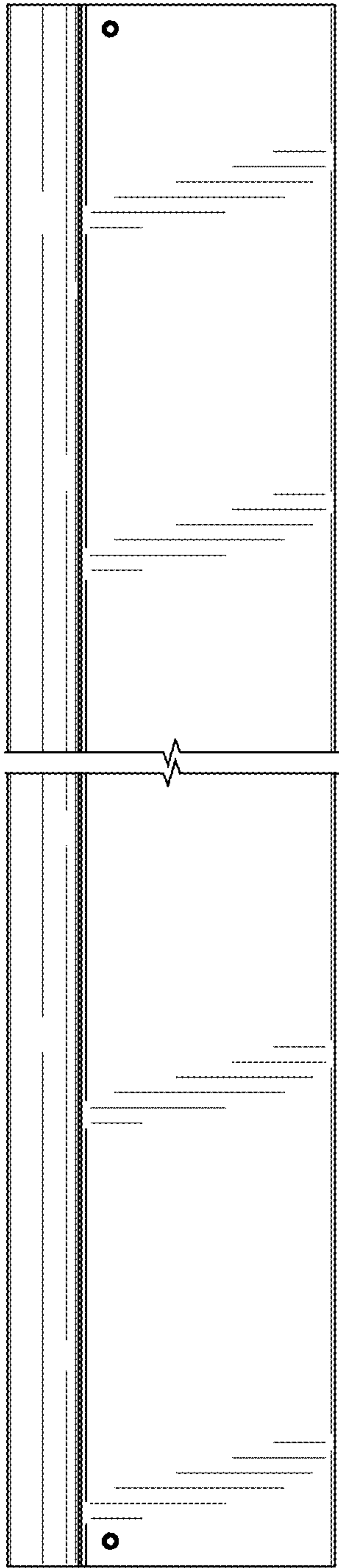


FIG. 15

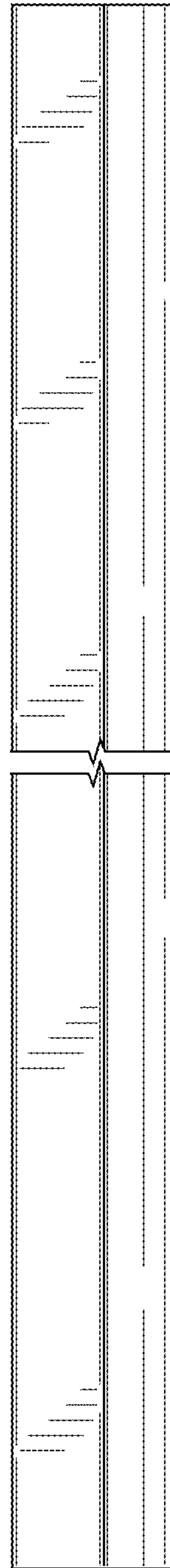


FIG. 16

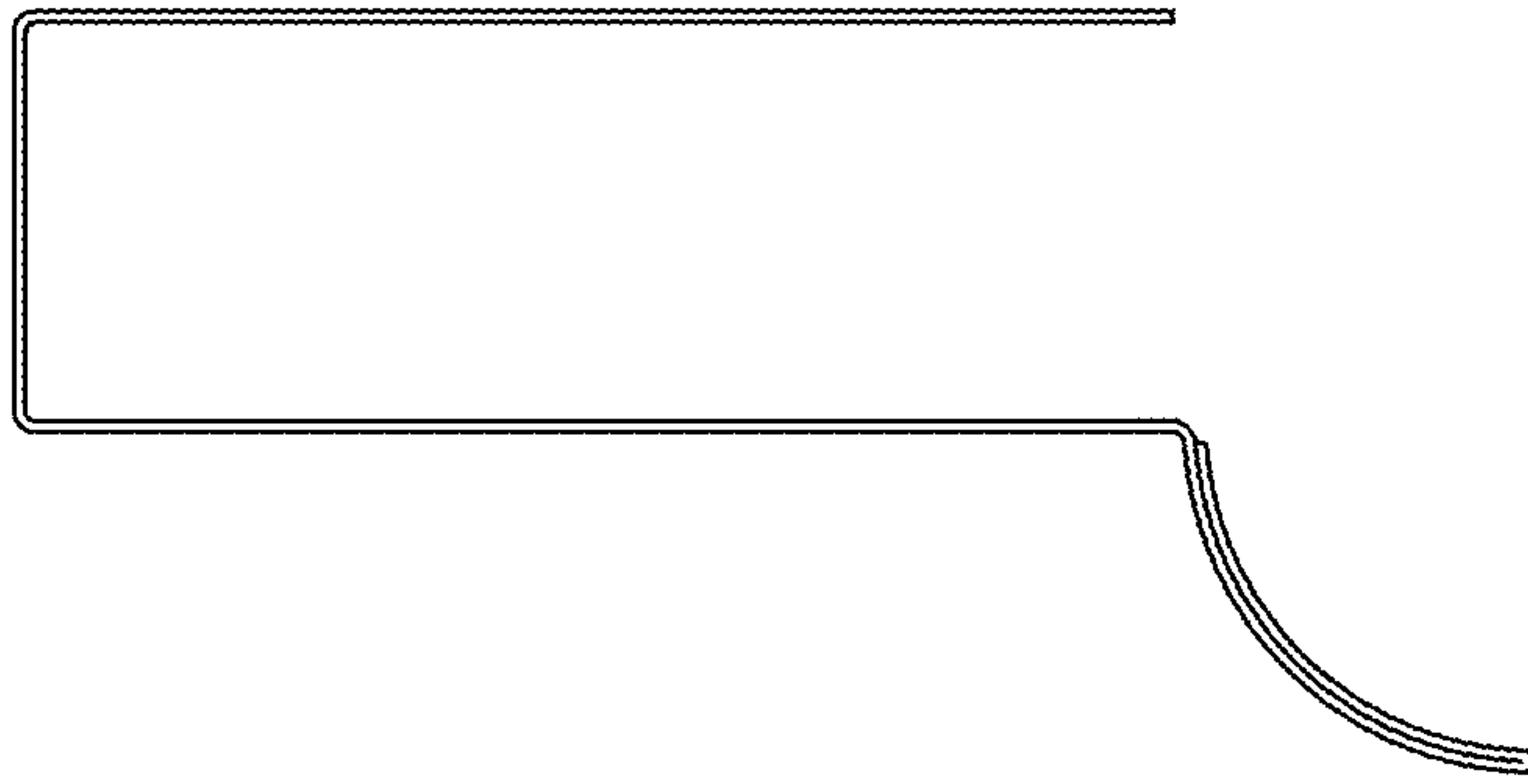


FIG. 17



FIG. 18