



US00D948307S

(12) **United States Design Patent**
Minale

(10) **Patent No.:** **US D948,307 S**

(45) **Date of Patent:** **** Apr. 12, 2022**

(54) **DOOR HANDLE**

(71) Applicant: **Buster and Punch Limited**, Stamford
(GB)

(72) Inventor: **Massimo Minale**, London (GB)

(73) Assignee: **Buster and Punch Limited**, Stamford
(GB)

(**) Term: **15 Years**

(21) Appl. No.: **29/771,116**

(22) Filed: **Feb. 19, 2021**

Feb. 6, 2020 (EM) 007667357-0003
Nov. 17, 2020 (EM) 008270573-0001
Nov. 17, 2020 (EM) 008270573-0002
Nov. 17, 2020 (EM) 008270573-0003
Nov. 17, 2020 (EM) 008270573-0004

(51) **LOC (13) Cl.** **08-06**

(52) **U.S. Cl.**
USPC **D8/308**

(58) **Field of Classification Search**
USPC D8/300-302, 307-309; D23/250, 252;
D7/393

CPC Y10T 16/44; Y10T 74/20612; Y10T
74/20732; Y10T 16/458; Y10T 16/498;
Y10T 16/469; Y10T 16/476; Y10T
74/20744; Y10T 74/20864; Y10T
16/4628; Y10T 74/20642; Y10T 16/473;
Y10T 74/20762; Y10T 74/2042; Y10T
74/20828; Y10T 16/459; Y10T 16/4713;
Y10T 74/2014; Y10T 16/50; Y10T
74/20438; Y10T 74/20582; Y10T
74/20738; Y10T 16/48; Y10T 74/20618;
Y10T 74/20684; Y10T 74/20624; Y10T
74/20468; Y10T 16/61; Y10T 16/4719;
Y10T 16/86; Y10S 16/30; Y10S 292/31;
Y10S 292/53; Y10S 16/12; Y10S 292/23;
Y10S 292/27; Y10S 292/30; Y10S
292/63; E05B 85/16; E05B 1/0015; E05B
77/06; E05B 79/06; E05B 85/18; E05B
85/12; E05B 85/10; E05B 7/00; E05B
1/0053; E05B 77/265

See application file for complete search history.

Related U.S. Application Data

(63) Continuation-in-part of application No. 29/744,701,
filed on Jul. 30, 2020, and a continuation-in-part of
application No. 29/727,916, filed on Mar. 13, 2020.

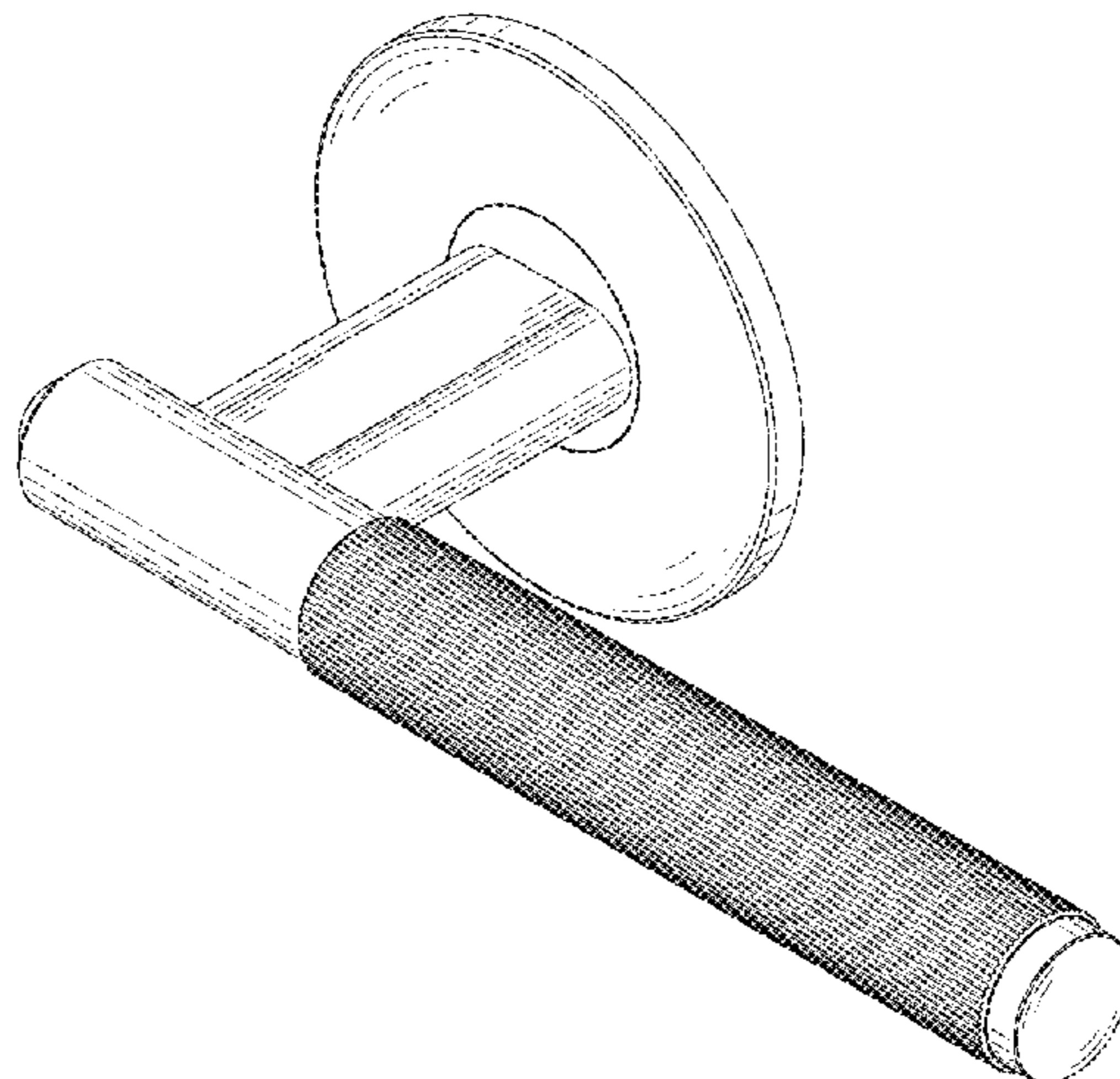
Foreign Application Priority Data

(30)
Sep. 13, 2019 (EM) 006868196-0001
Sep. 13, 2019 (EM) 006868196-0006
Sep. 13, 2019 (EM) 006868196-0012
Sep. 13, 2019 (EM) 006868196-0017
Sep. 13, 2019 (EM) 006868196-0021
Sep. 13, 2019 (EM) 006868196-0025
Sep. 13, 2019 (EM) 006868196-0029
Sep. 13, 2019 (EM) 006868196-0034
Sep. 13, 2019 (EM) 006868196-0036
Sep. 13, 2019 (EM) 006868196-0040
Sep. 13, 2019 (EM) 006868196-0042
Sep. 13, 2019 (EM) 006868196-0047
Sep. 13, 2019 (EM) 006868196-0052
Sep. 13, 2019 (EM) 006868196-0056
Sep. 13, 2019 (EM) 006868196-0066
Sep. 13, 2019 (EM) 006868196-0067
Sep. 13, 2019 (EM) 006868196-0068
Sep. 13, 2019 (EM) 006868196-0069
Sep. 13, 2019 (EM) 006868196-0070
Feb. 6, 2020 (EM) 007667357-0001
Feb. 6, 2020 (EM) 007667357-0002

(56) **References Cited**

U.S. PATENT DOCUMENTS

D85,931 S 1/1932 Graff
D206,454 S 12/1966 Rosen
D244,310 S 5/1977 Dunning
D271,528 S 11/1983 Muller
D283,785 S * 5/1986 Belaiche 16/DIG. 12
D311,678 S 10/1990 Graef et al.
D439,361 S 3/2001 Berry
D442,317 S 5/2001 Crosby
D475,024 S 5/2003 Bennett et al.
D483,143 S 12/2003 Orozco



D487,429 S	3/2004	Bennett et al.		European Community Design Reg. No. 003386952-0001, EUIPO, Sep. 20, 2016.
D504,309 S *	4/2005	Fuchs	D6/523	European Community Design Reg. No. 003386952-0002, EUIPO, Sep. 20, 2016.
D619,872 S *	7/2010	Singtoroj	D8/308	European Community Design Reg. No. 003386952-0003, EUIPO, Sep. 20, 2016.
D627,441 S *	11/2010	Sedwick	D23/252	European Community Design Reg. No. 003386952-0004, EUIPO, Sep. 20, 2016.
D637,884 S	5/2011	Trotta		European Community Design Reg. No. 003386952-0005, EUIPO, Sep. 20, 2016.
D646,833 S	10/2011	Chen		European Community Design Reg. No. 003386952-0006, EUIPO, Sep. 20, 2016.
D658,591 S	5/2012	Margolin et al.		European Community Design Reg. No. 003386952-0007, EUIPO, Sep. 20, 2016.
D713,089 S	9/2014	Orozco		European Community Design Reg. No. 003386952-0008, EUIPO, Sep. 20, 2016.
D738,468 S *	9/2015	Bahler	D23/252	European Community Design Reg. No. 003386952-0009, EUIPO, Sep. 20, 2016.
D768,626 S	10/2016	Mikelson		European Community Design Reg. No. 003521129-0001, EUIPO, Dec. 15, 2016.
D815,334 S	4/2018	Hu		European Community Design Reg. No. 003521129-0002, EUIPO, Dec. 15, 2016.
D824,238 S *	7/2018	Grasselli	D8/315	European Community Design Reg. No. 003521129-0003, EUIPO, Dec. 15, 2016.
D829,076 S	9/2018	Dulley et al.		European Community Design Reg. No. 003521129-0004, EUIPO, Dec. 15, 2016.
D830,521 S *	10/2018	Kirar	D23/252	European Community Design Reg. No. 003521129-0005, EUIPO, Dec. 15, 2016.
D837,436 S	1/2019	Orozco		European Community Design Reg. No. 003521129-0006, EUIPO, Dec. 15, 2016.
D838,401 S	1/2019	Joyeux		European Community Design Reg. No. 003521129-0007, EUIPO, Dec. 15, 2016.
D838,572 S *	1/2019	Su	D8/301	European Community Design Reg. No. 003521129-0008, EUIPO, Dec. 15, 2016.
D851,318 S	6/2019	Amato et al.		European Community Design Reg. No. 003521129-0009, EUIPO, Dec. 15, 2016.
D851,319 S	6/2019	Amato et al.		European Community Design Reg. No. 003521129-0010, EUIPO, Dec. 15, 2016.
D851,609 S	6/2019	Minale et al.		European Community Design Reg. No. 003521129-0011, EUIPO, Dec. 15, 2021.
D862,195 S *	10/2019	Dulley	D8/308	European Community Design Reg. No. 003797158-0001, EUIPO, Mar. 13, 2017.
D862,661 S *	10/2019	Kulig	D23/252	European Community Design Reg. No. 003797158-0002, EUIPO, Mar. 13, 2017.
D869,406 S	12/2019	Minale et al.		European Community Design Reg. No. 003797158-0003, EUIPO, Mar. 13, 2017.
D869,931 S *	12/2019	Dulley	D8/308	European Community Design Reg. No. 003797158-0004, EUIPO, Mar. 13, 2017.
D871,554 S *	12/2019	Garland	D23/252	European Community Design Reg. No. 003797158-0005, EUIPO, Mar. 13, 2017.
D887,067 S	6/2020	Dulley et al.		European Community Design Reg. No. 003797158-0006, EUIPO, Mar. 13, 2017.
10,670,203 B1	6/2020	Glazer et al.		European Community Design Reg. No. 003797158-0007, EUIPO, Mar. 13, 2017.
D892,383 S	8/2020	McDennon		European Community Design Reg. No. 003797158-0008, EUIPO, Mar. 13, 2017.
D902,686 S *	11/2020	Prezner	D8/308	European Community Design Reg. No. 003797158-0009, EUIPO, Mar. 13, 2017.
2007/0272532 A1	11/2007	Pessina et al.		Homefield Lantern with Motion Sensor by Astro Lighting. Date first available at amazon.com.uk Jun. 4, 2014. (Year: 2014).
2009/0262535 A1	10/2009	Maillet-Jegou		Messina #130 7861 from Astro Lighting. Date first available at amazon.com.uk Oct. 29, 2017. (Year: 2017).
2010/0019516 A1 *	1/2010	Williamson	E05B 15/02 292/336.3	Astro Homefield Outdoor Pendant Ceiling Light, Product code: 70270104 from johnlewis.com visited Jul. 17, 2019. (Year: 2019).
2016/0145895 A1 *	5/2016	Kankkunen	E05B 17/10 70/432	Quoizel Westover 20" High Earth Black Outdoor Wall Light, available from lampsplus.com as early as Dec. 7, 2020. (Year: 2020).
2019/0203890 A1	7/2019	Moore et al.		Z-Lite 584B-BK Dunbroch 1-Light 24 inch Black Outdoor Wall Sconce, available from zlitelightinglights.com as early as Jun. 9, 2020. (Year: 2020).

OTHER PUBLICATIONS

European Community Design Reg. No. 002688093-0001, EUIPO, Apr. 23, 2015.

European Community Design Reg. No. 002688093-0002, EUIPO, Apr. 23, 2015.

European Community Design Reg. No. 002688093-0003, EUIPO, Apr. 23, 2015.

European Community Design Reg. No. 002688093-0004, EUIPO, Apr. 23, 2015.

European Community Design Reg. No. 002688093-0005, EUIPO, Apr. 23, 2015.

European Community Design Reg. No. 002688093-0006, EUIPO, Apr. 23, 2015.

European Community Design Reg. No. 002688093-0007, EUIPO, Apr. 23, 2015.

European Community Design Reg. No. 002688093-0008, EUIPO, Apr. 23, 2015.

European Community Design Reg. No. 002688093-0009, EUIPO, Apr. 23, 2015.

European Community Design Reg. No. 002688093-0010, EUIPO, Apr. 23, 2015.

European Community Design Reg. No. 002688093-0011, EUIPO, Apr. 23, 2015.

European Community Design Reg. No. 002688093-0012, EUIPO, Apr. 23, 2015.

European Community Design Reg. No. 003098771-0001, EUIPO, Apr. 28, 2016.

European Community Design Reg. No. 003098771-0002, EUIPO, Apr. 28, 2016.

European Community Design Reg. No. 003124122-0001, EUIPO, May 12, 2016.

European Community Design Reg. No. 003124122-0002, EUIPO, May 12, 2016.

European Community Design Reg. No. 003124122-0003, EUIPO, May 12, 2016.

European Community Design Reg. No. 003124122-0004, EUIPO, May 12, 2016.

* cited by examiner

Primary Examiner — Lauren R Calve
(74) Attorney, Agent, or Firm — Dascenzo Gates
Intellectual Property Law, P.C.

(57) **CLAIM**

The ornamental design for a door handle, as shown and described.

DESCRIPTION

FIG. 1 is an isometric view of a door handle showing a first embodiment of the design.
FIG. 2 is a front elevation view thereof.
FIG. 3 is a rear elevation view thereof.
FIG. 4 is a right side elevation view thereof.
FIG. 5 is a left side elevation view thereof.
FIG. 6 is a top plan view thereof.
FIG. 7 is a bottom plan view thereof.
FIG. 8 is an isometric view of a door handle showing a second embodiment of the design.
FIG. 9 is a front elevation view thereof.
FIG. 10 is a rear elevation view thereof.
FIG. 11 is a right side elevation view thereof.
FIG. 12 is a left side elevation view thereof.

FIG. 13 is a top plan view thereof.
FIG. 14 is a bottom plan view thereof.
FIG. 15 is an isometric view of a door handle showing a third embodiment of the design.
FIG. 16 is a front elevation view thereof.
FIG. 17 is a rear elevation view thereof.
FIG. 18 is a right side elevation view thereof.
FIG. 19 is a left side elevation view thereof.
FIG. 20 is a top plan view thereof.
FIG. 21 is a bottom plan view thereof.
FIG. 22 is an isometric view of a door handle showing a fourth embodiment of the design.
FIG. 23 is a front elevation view thereof.
FIG. 24 is a rear elevation view thereof.
FIG. 25 is a right side elevation view thereof.
FIG. 26 is a left side elevation view thereof.
FIG. 27 is a top plan view thereof; and,
FIG. 28 is a bottom plan view thereof.
The shading lines shown in the drawings represent the approximate three-dimensional contour of the claimed design and are not intended to indicate surface decoration. The broken lines shown in the drawings illustrate portions of the door handle that form no part of the claimed

1 Claim, 28 Drawing Sheets

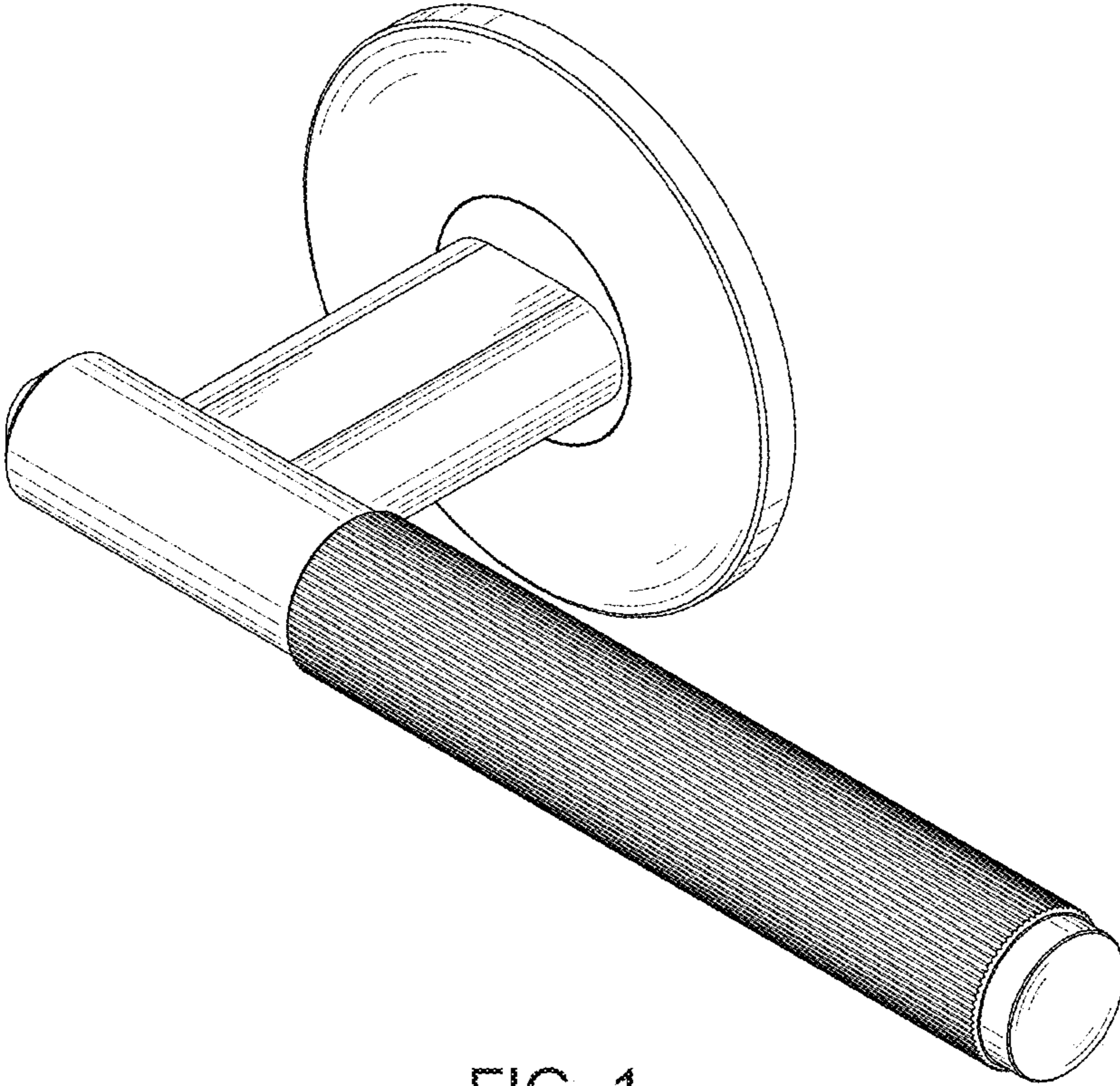


FIG. 1

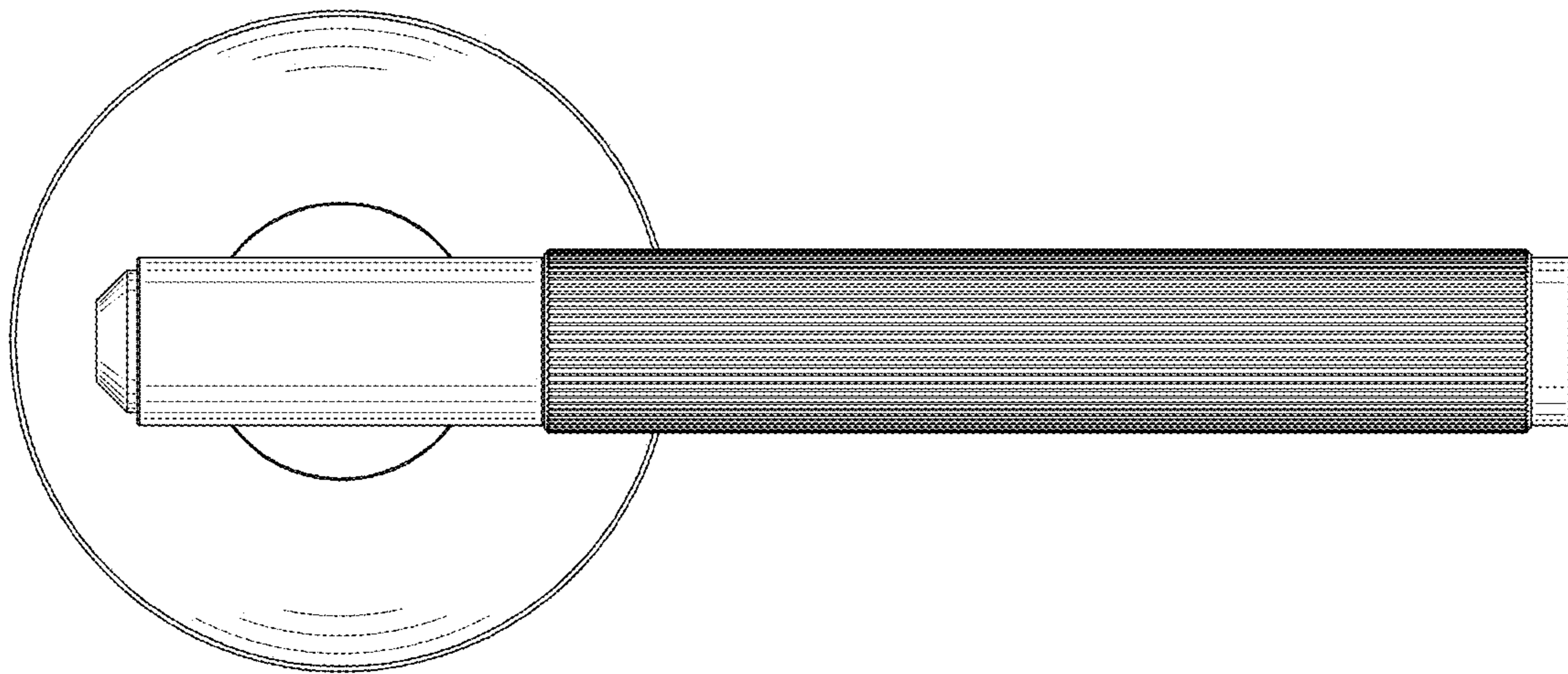


FIG. 2

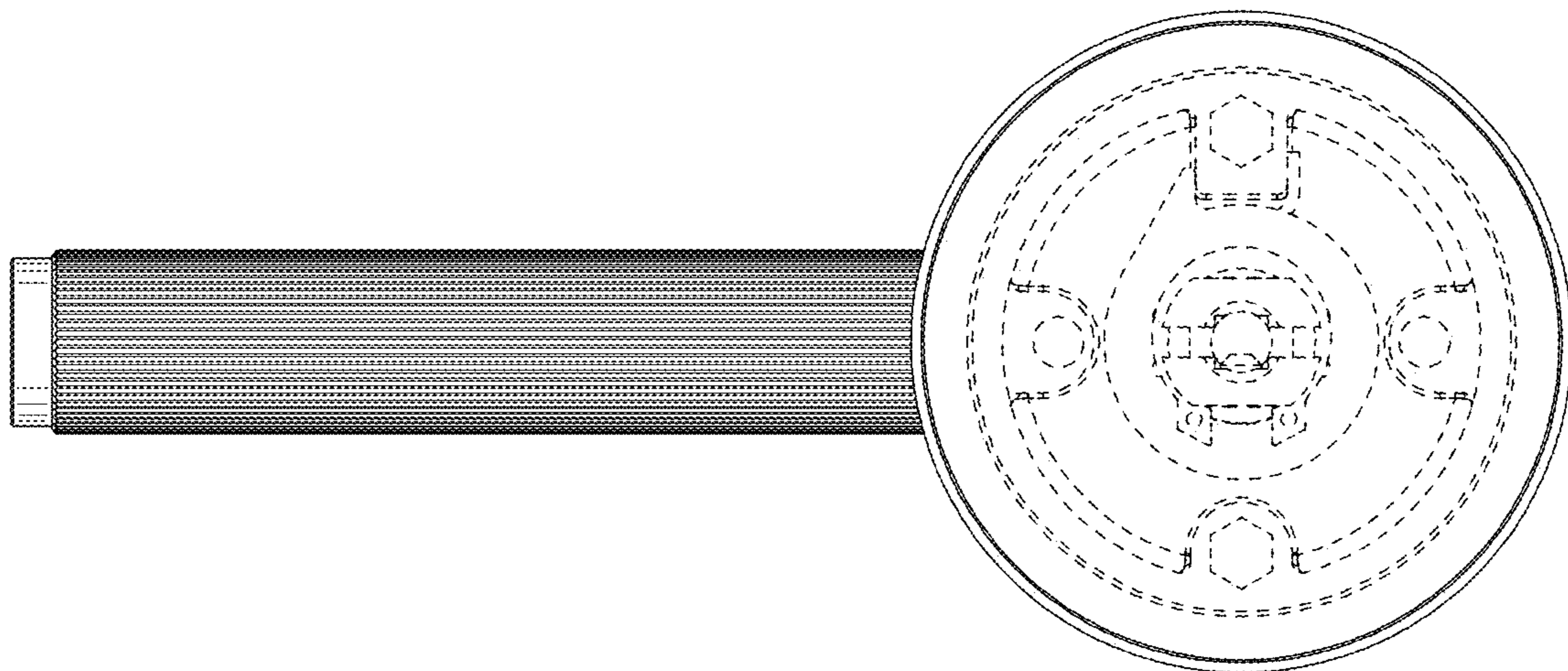


FIG. 3

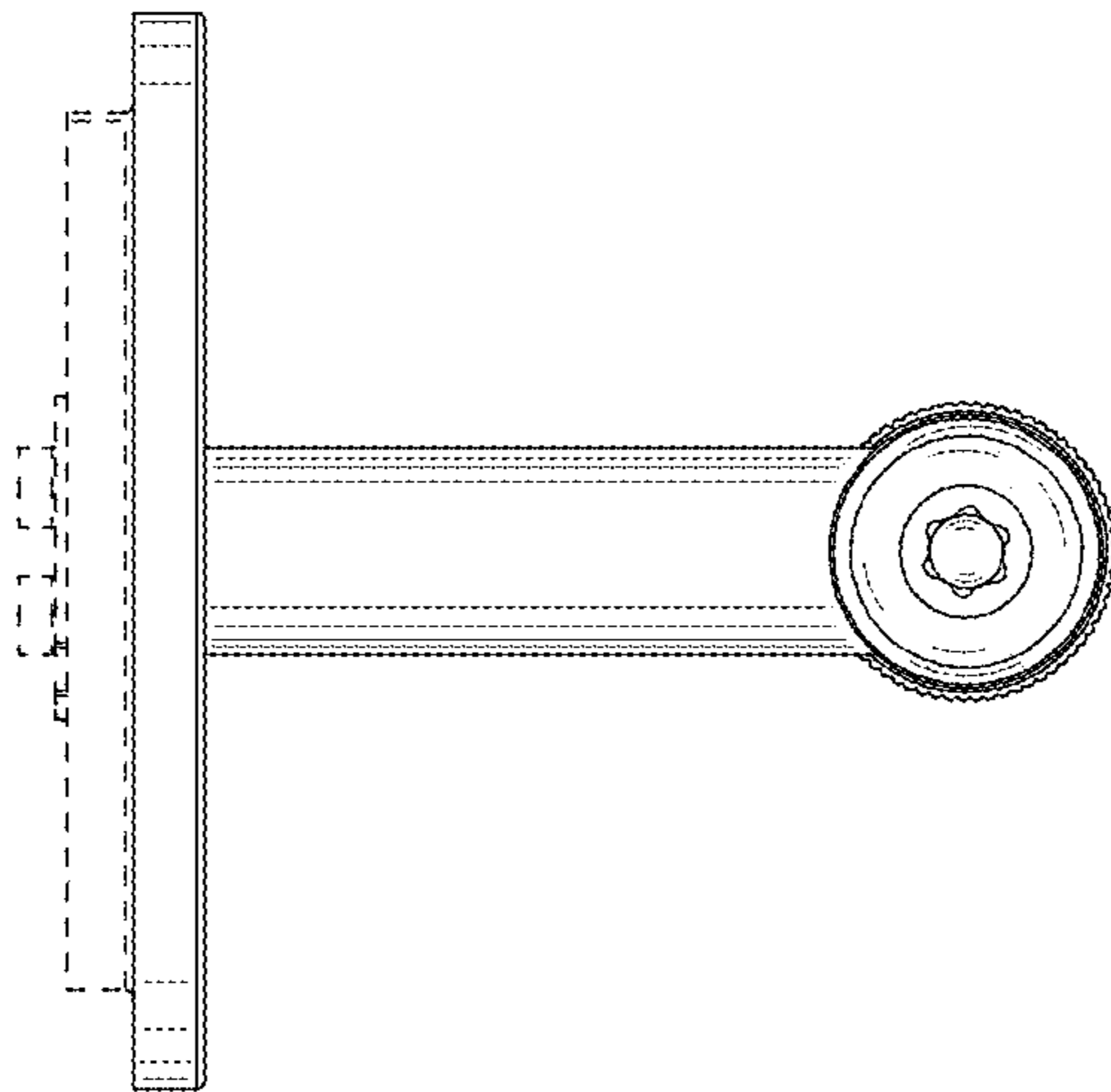


FIG. 4

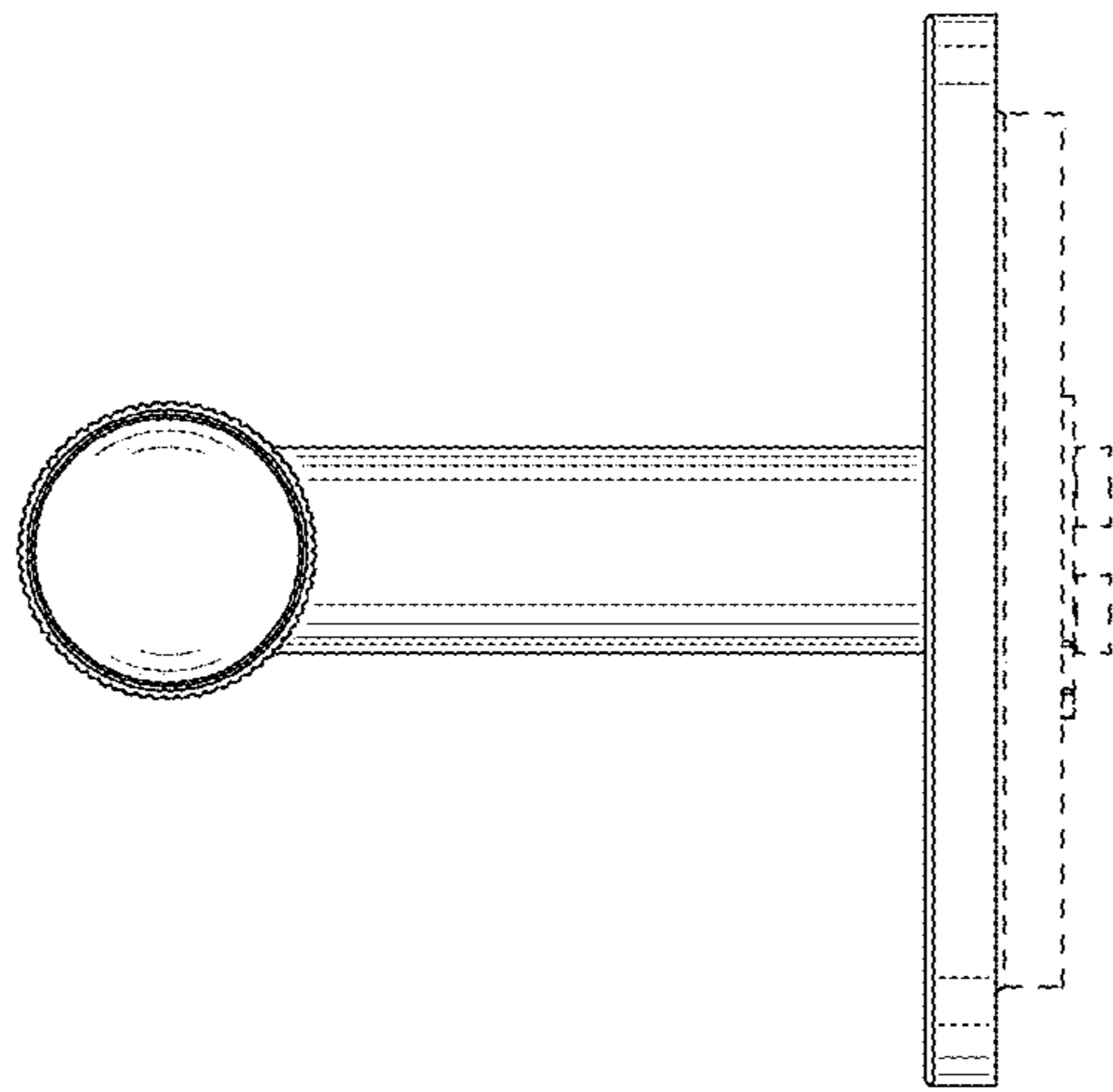


FIG. 5

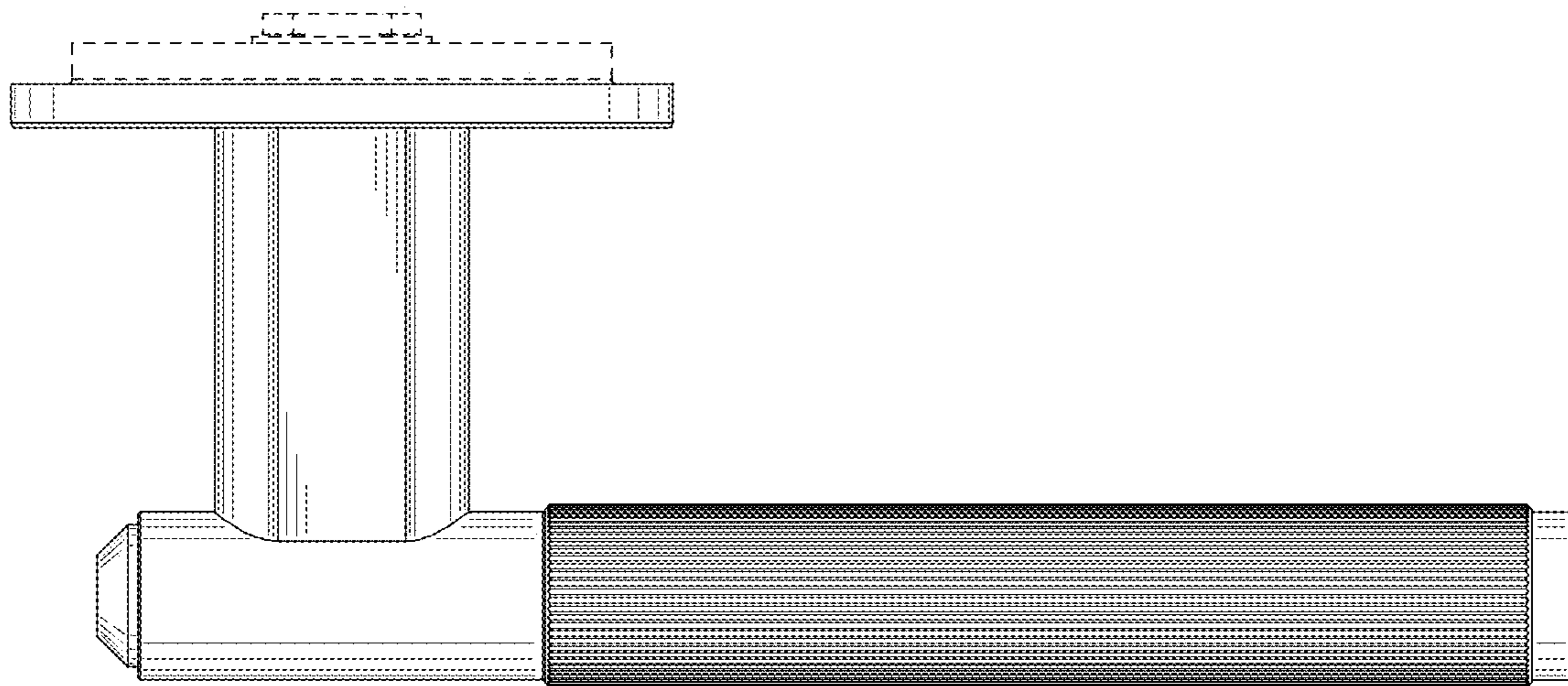


FIG. 6

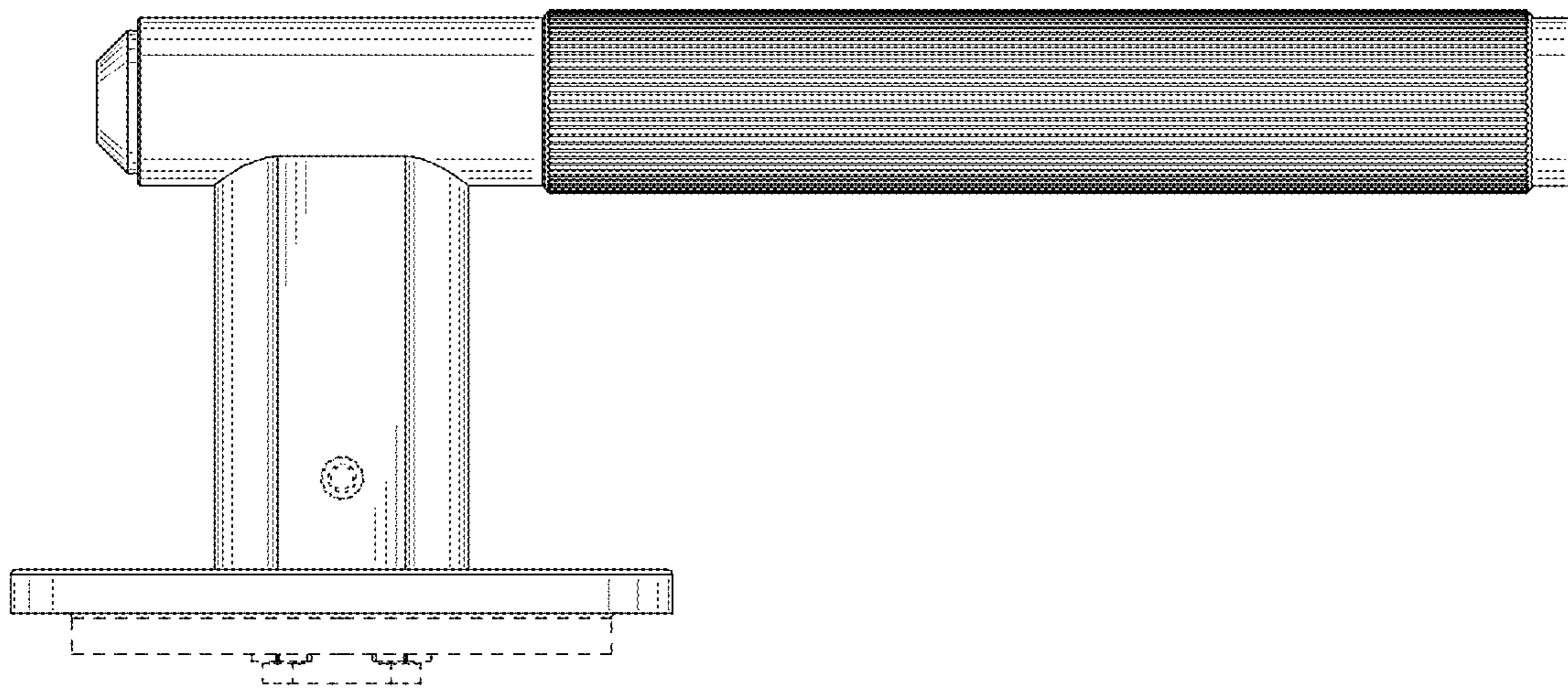


FIG. 7

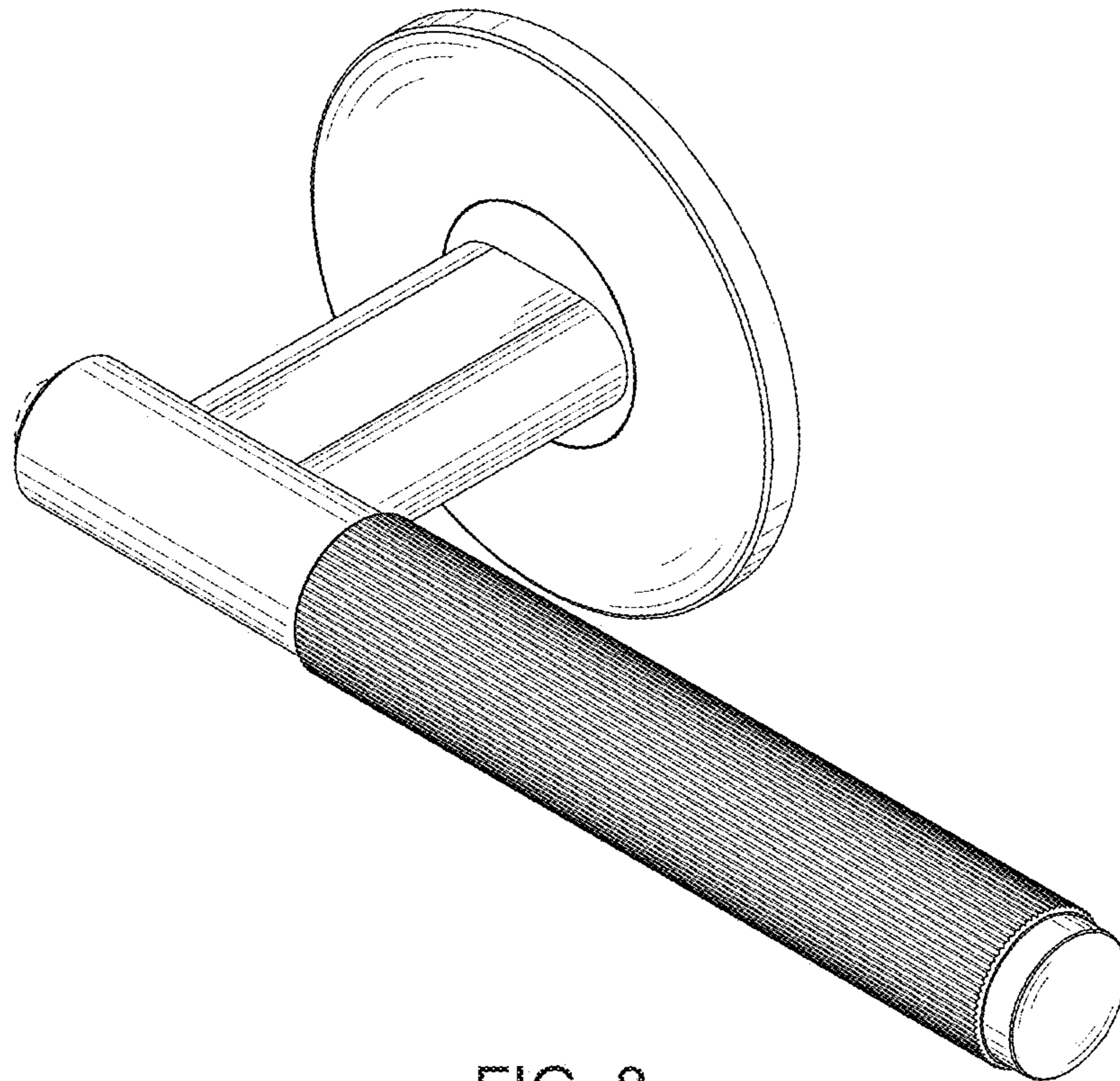


FIG. 8

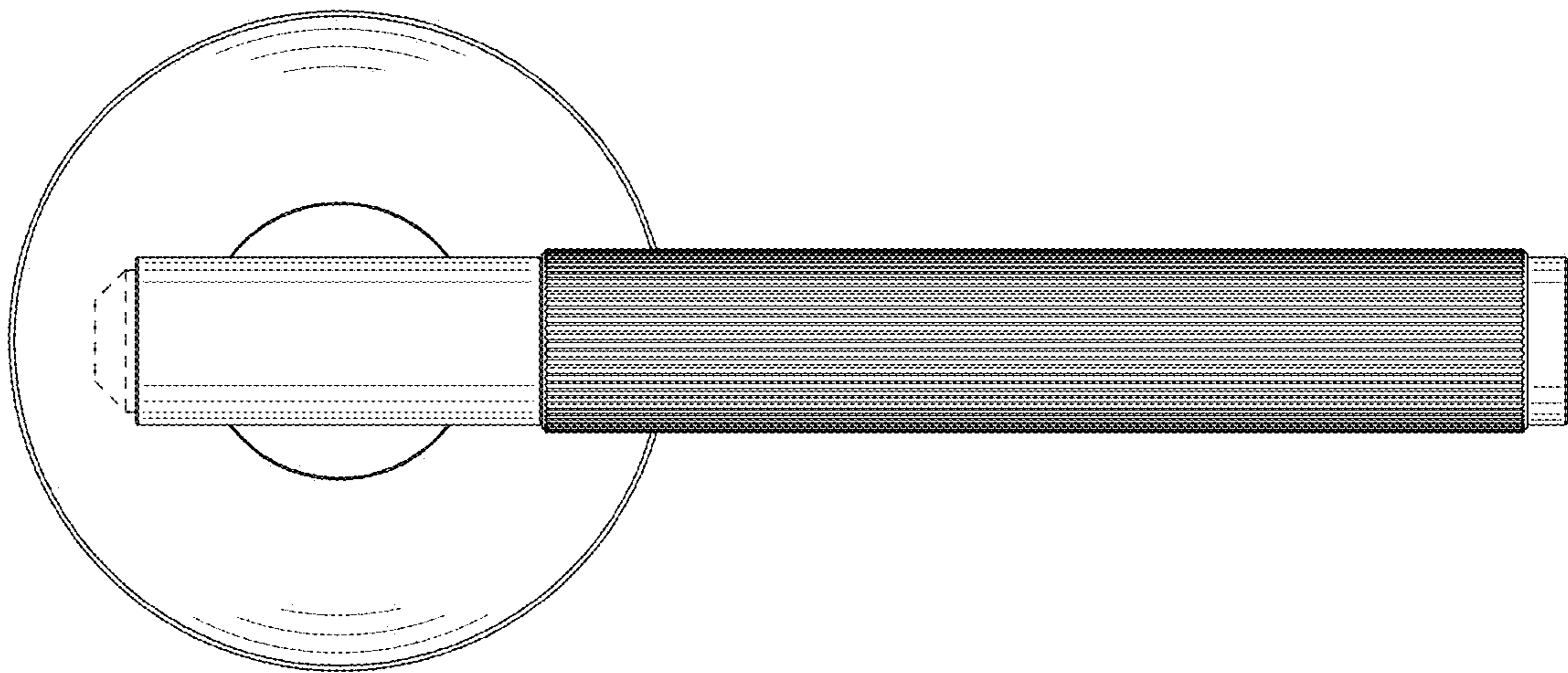


FIG. 9

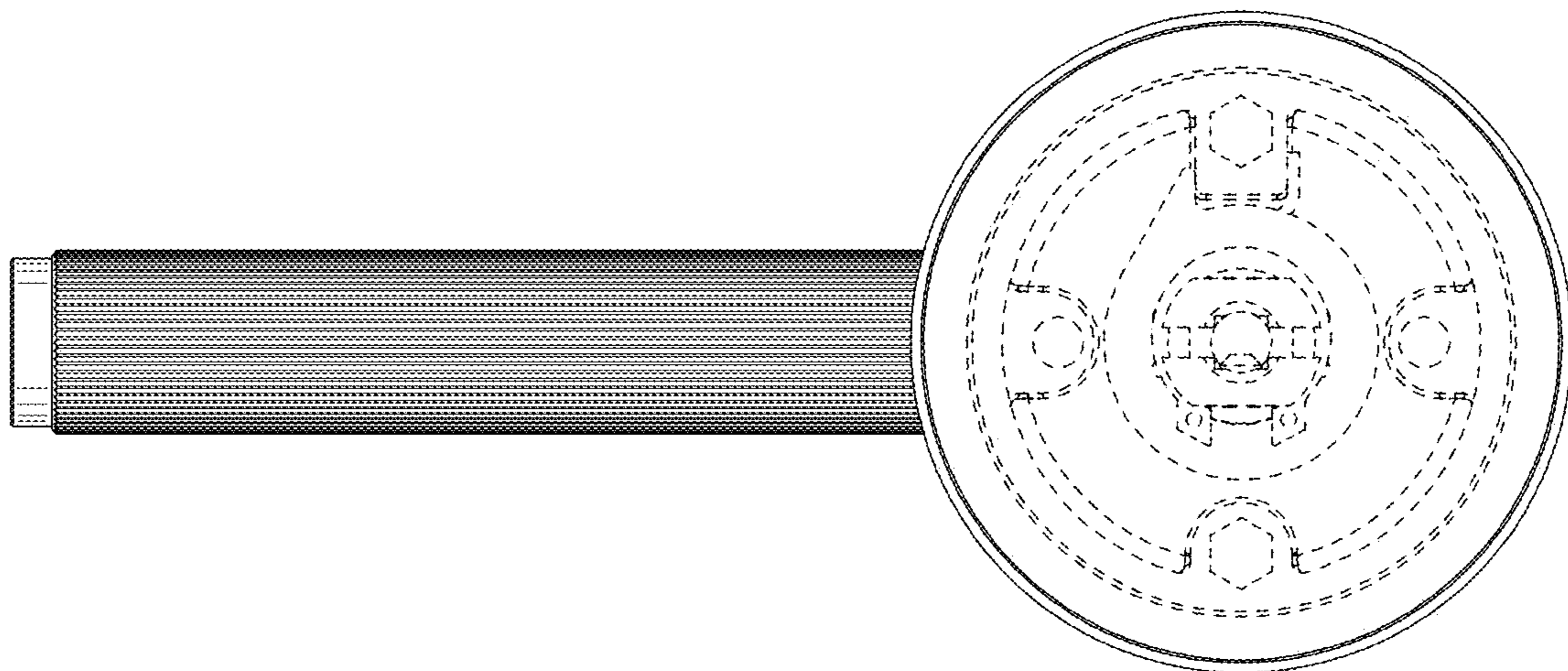


FIG. 10

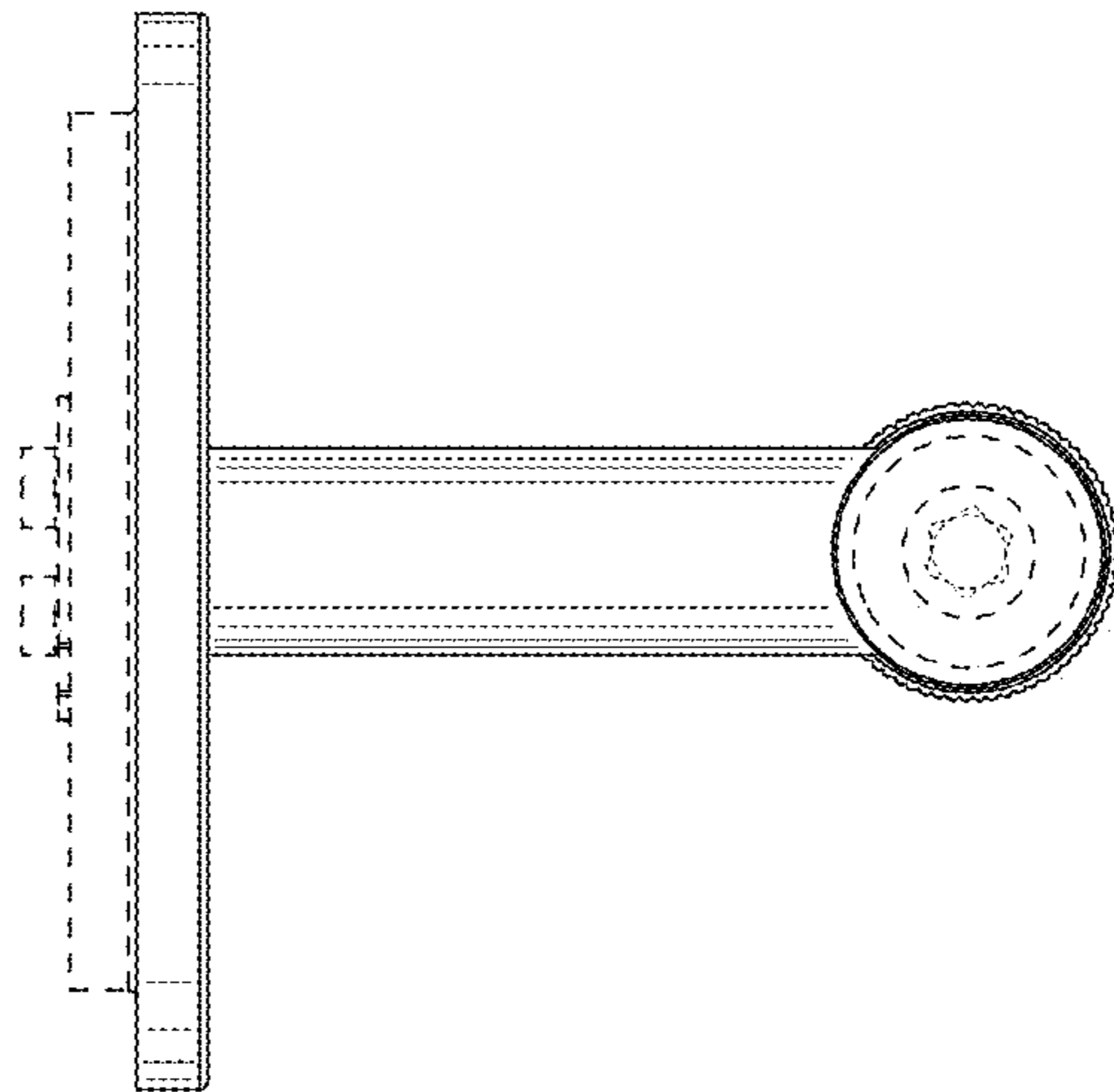


FIG. 11

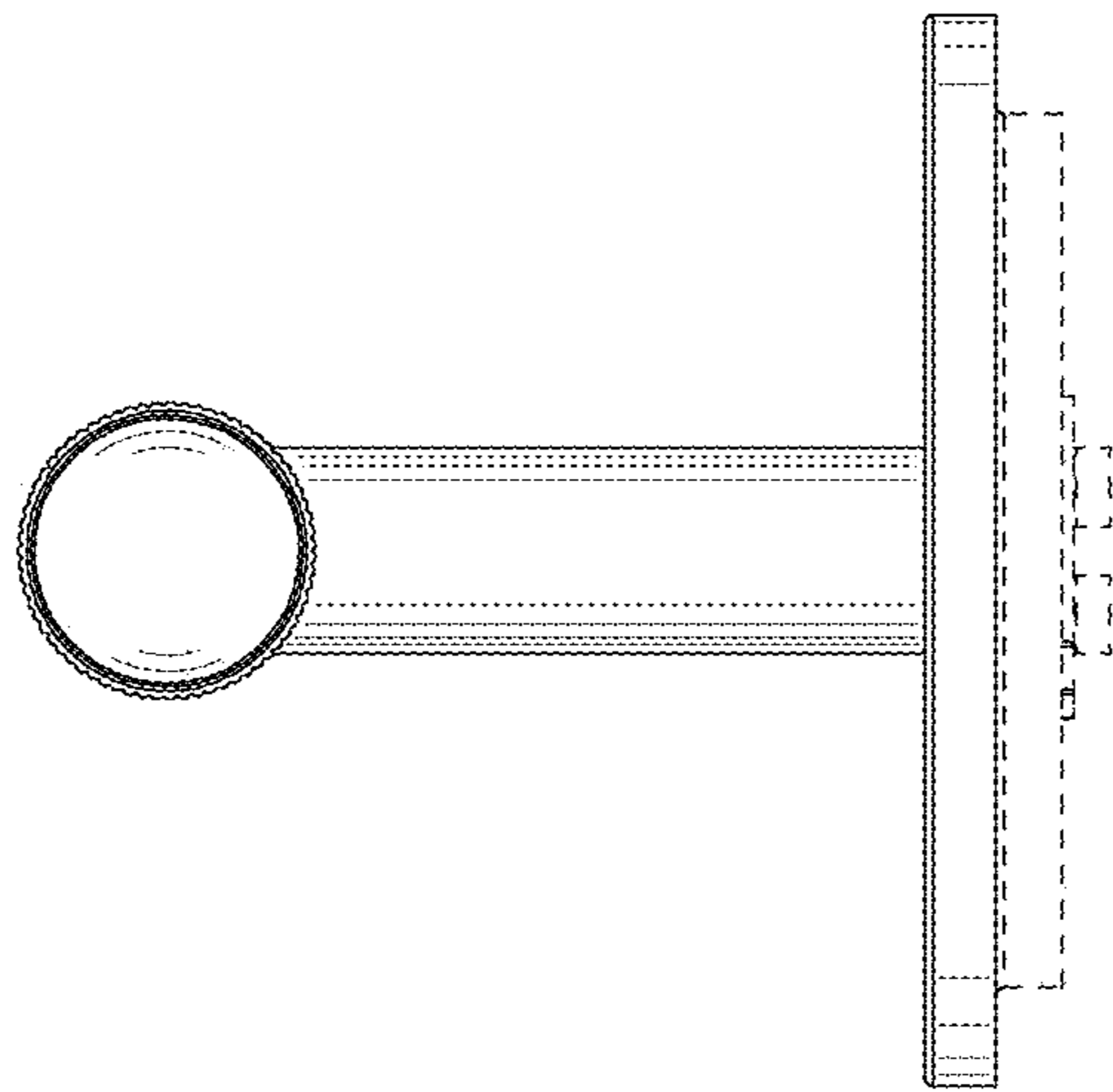


FIG. 12

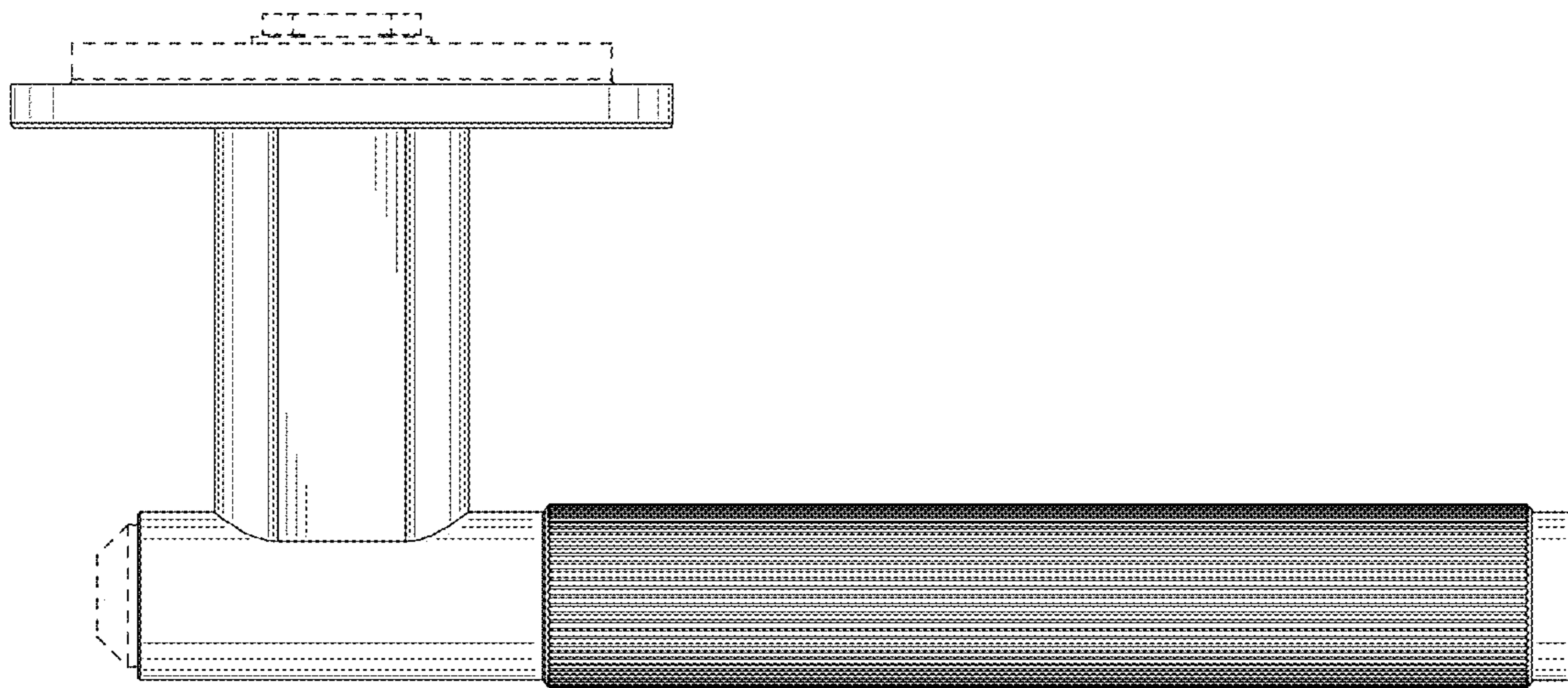


FIG. 13

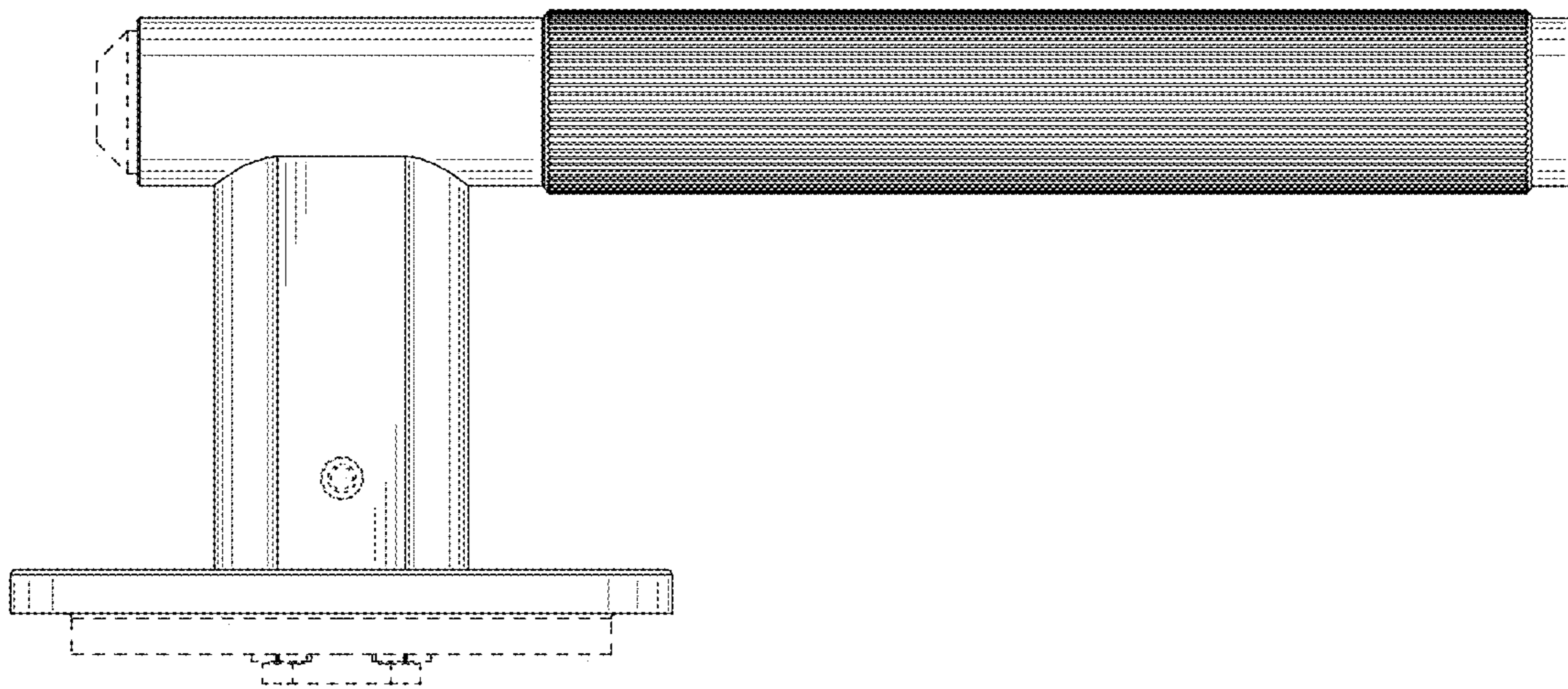


FIG. 14

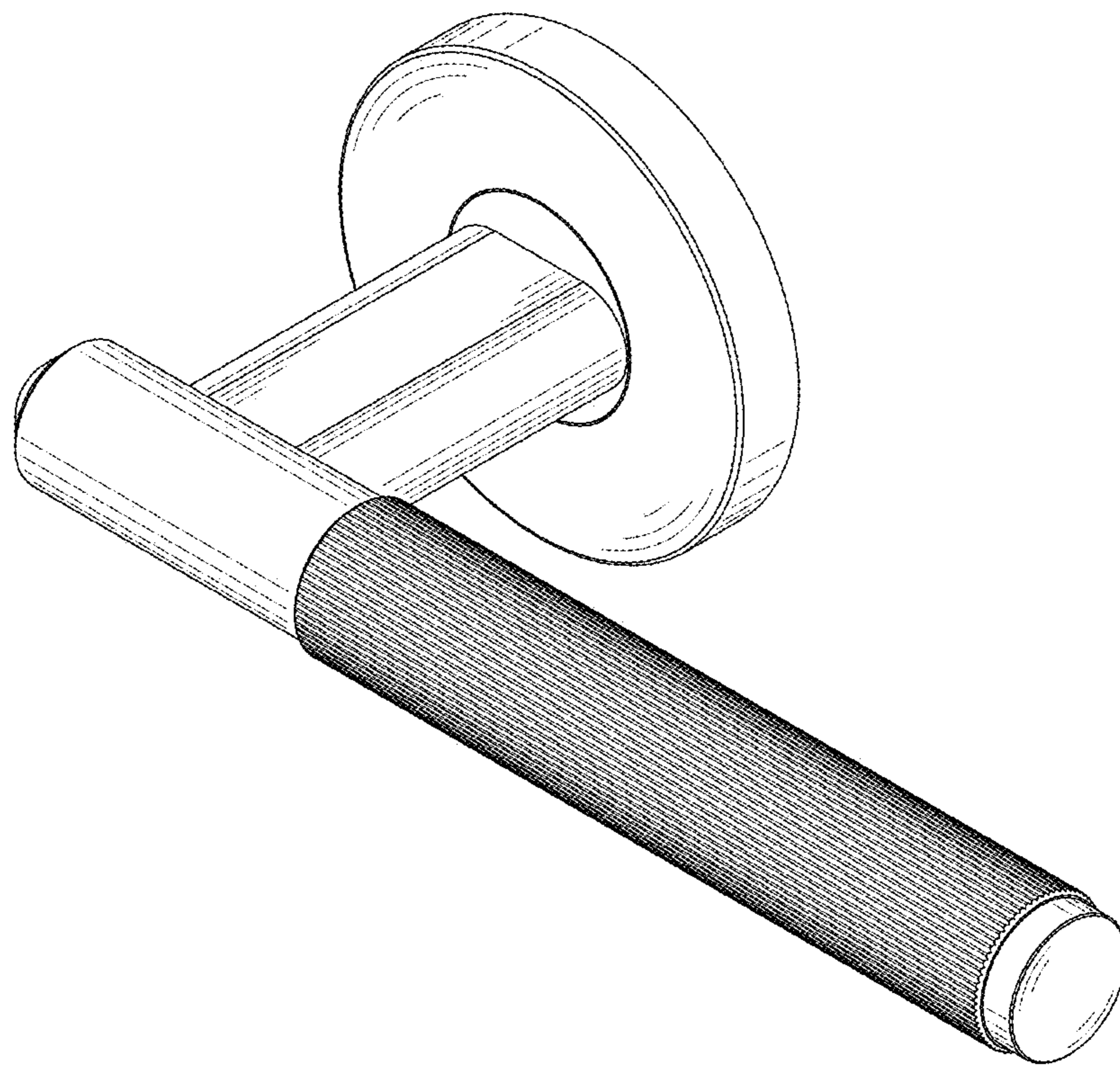


FIG. 15

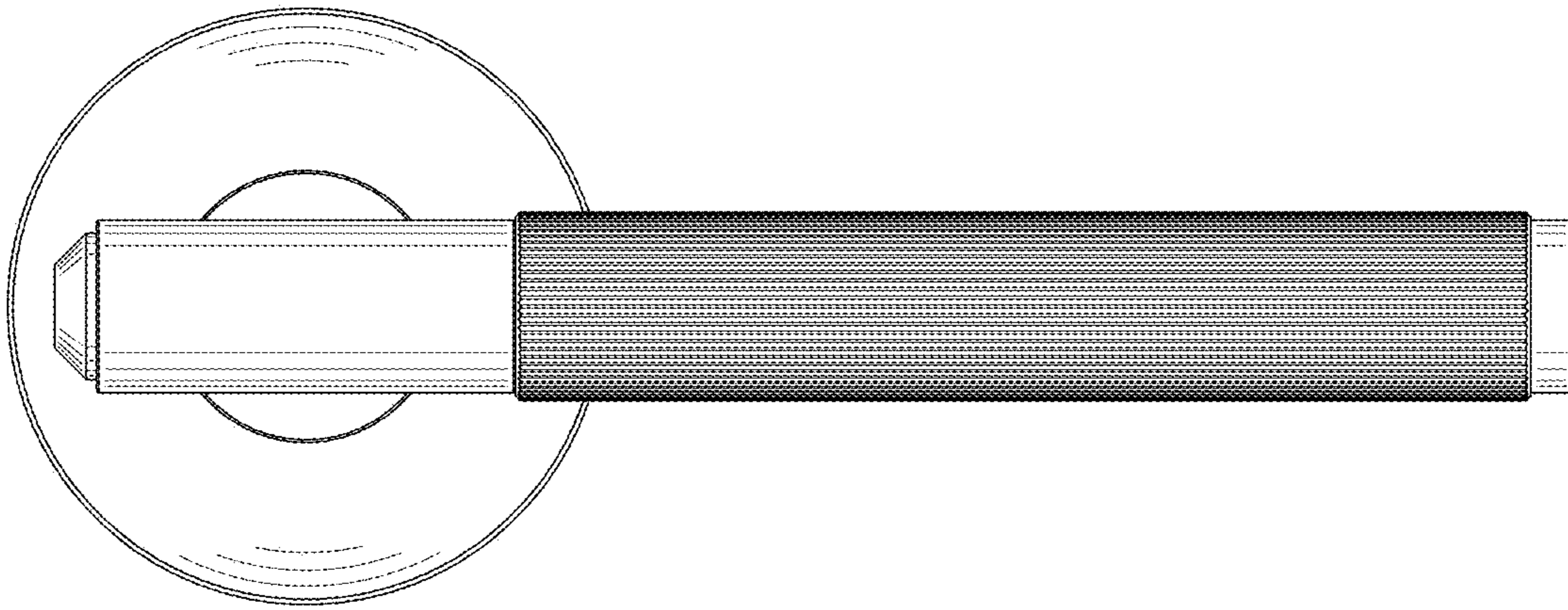


FIG. 16

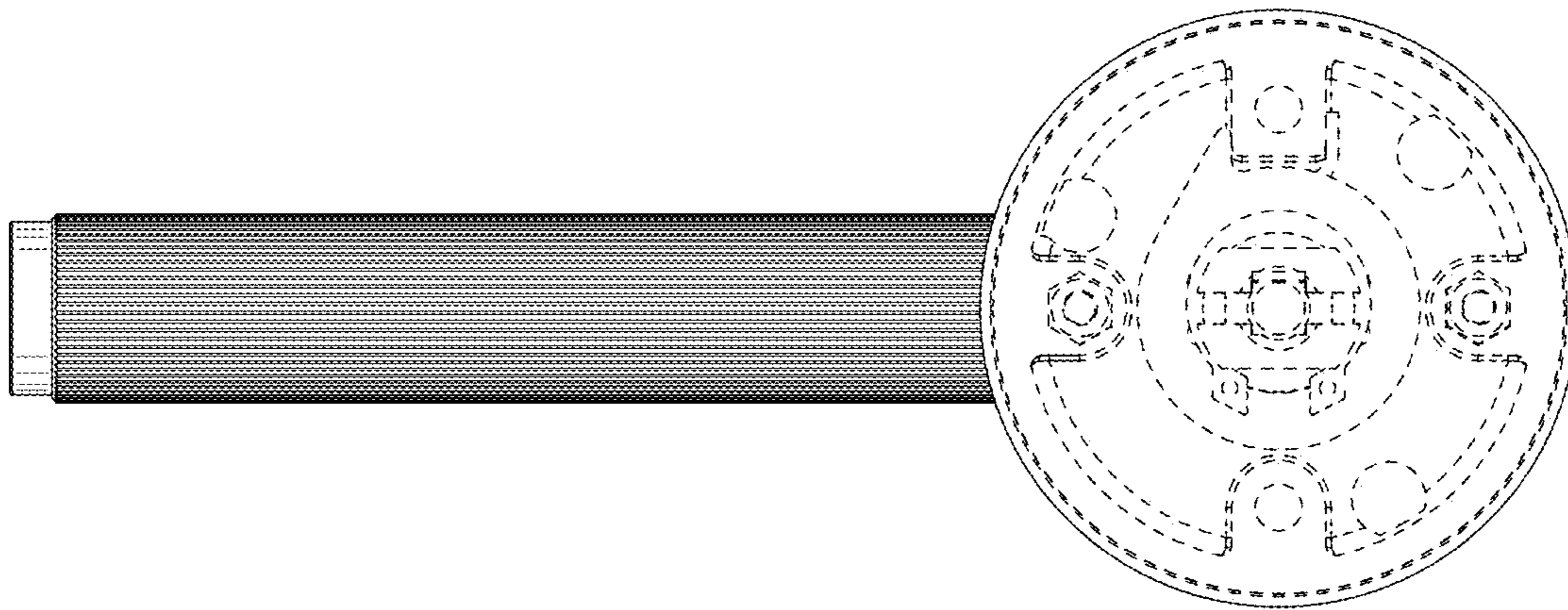


FIG. 17

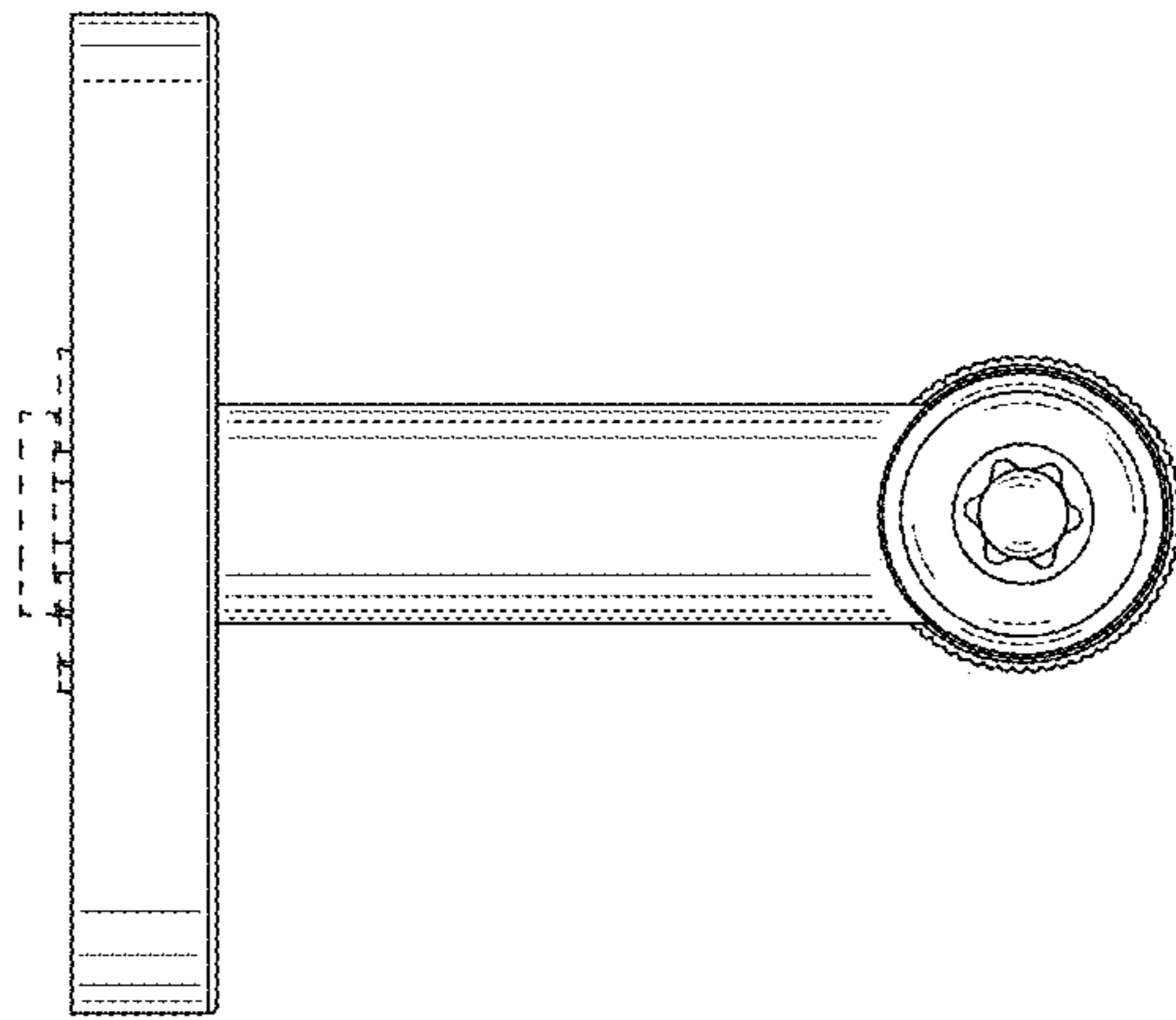


FIG. 18

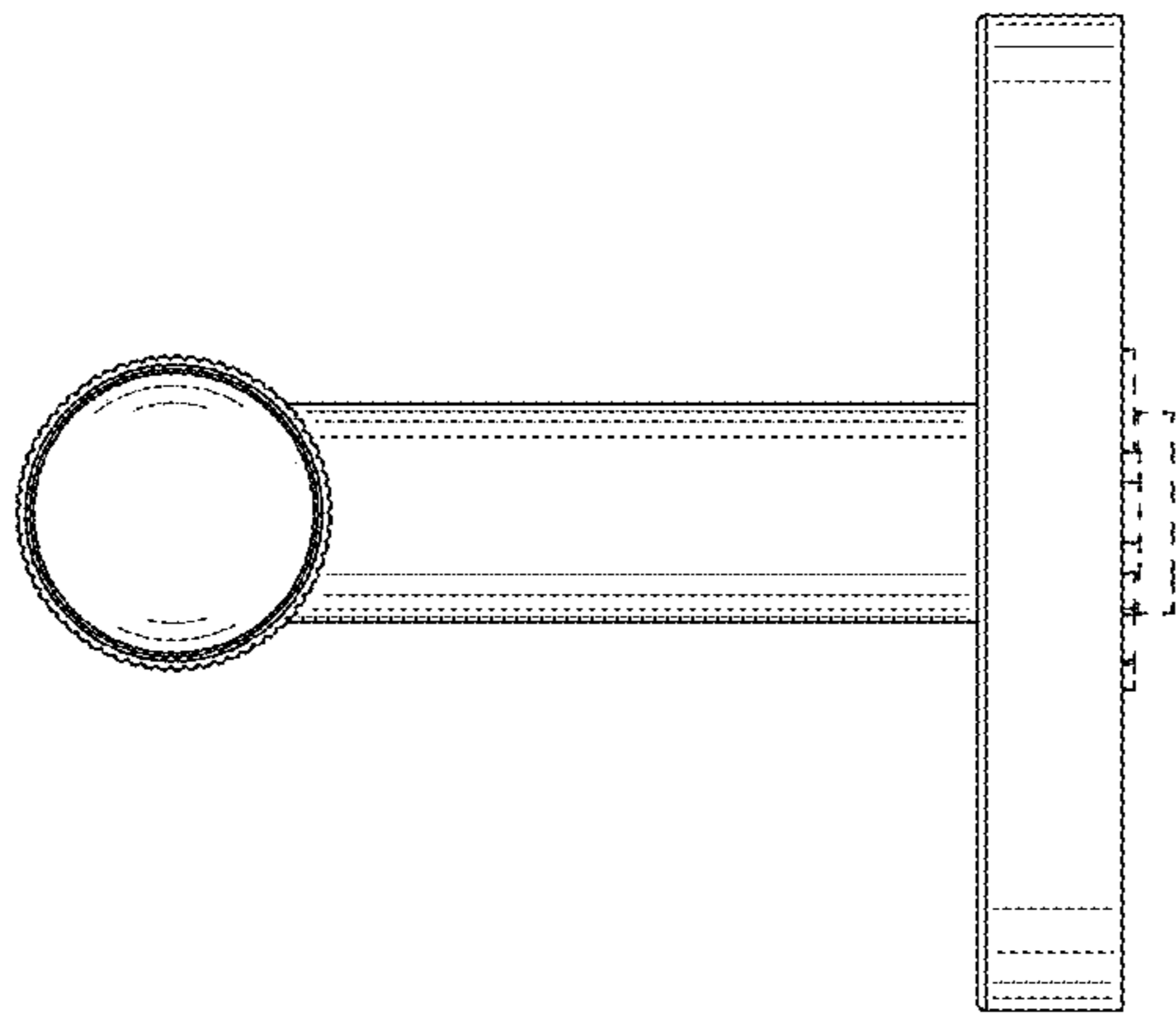


FIG. 19

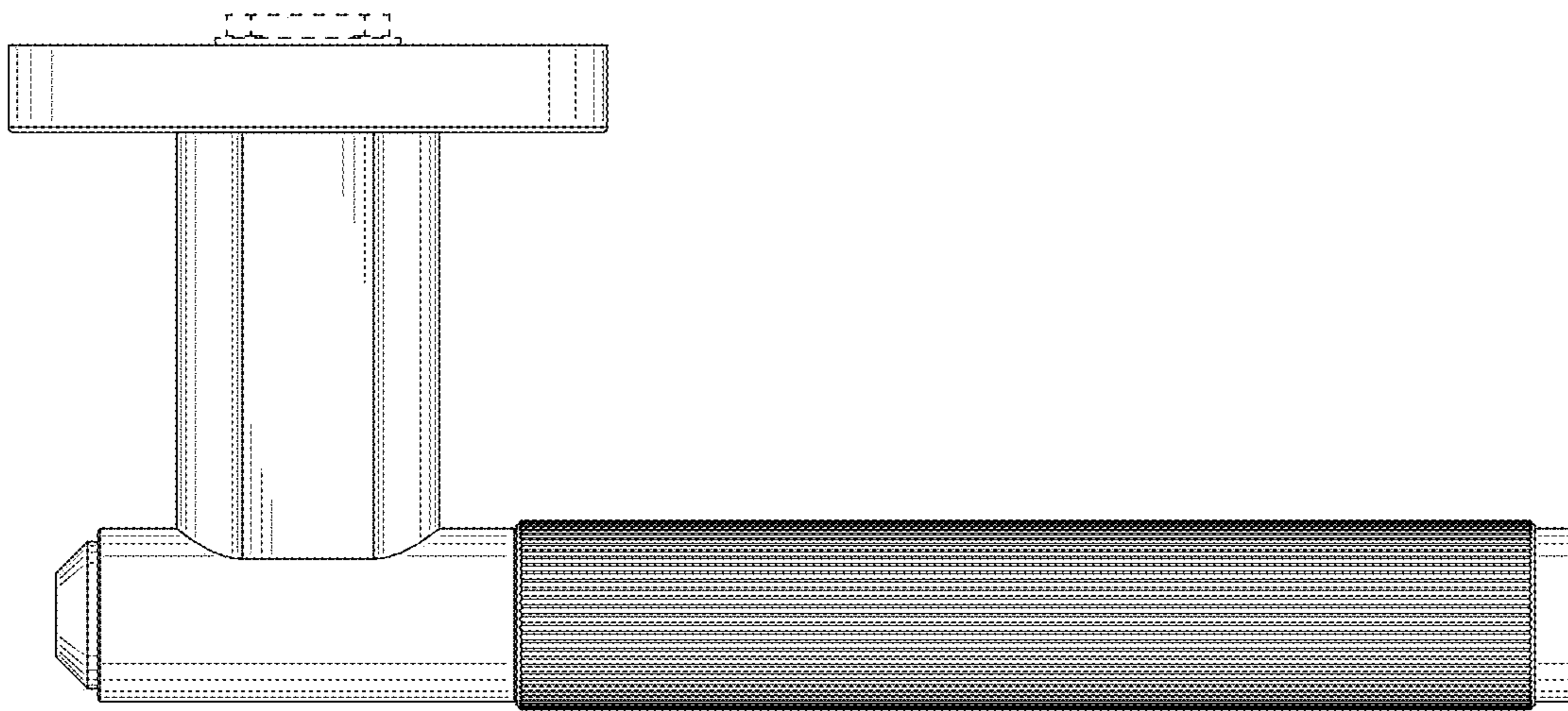


FIG. 20

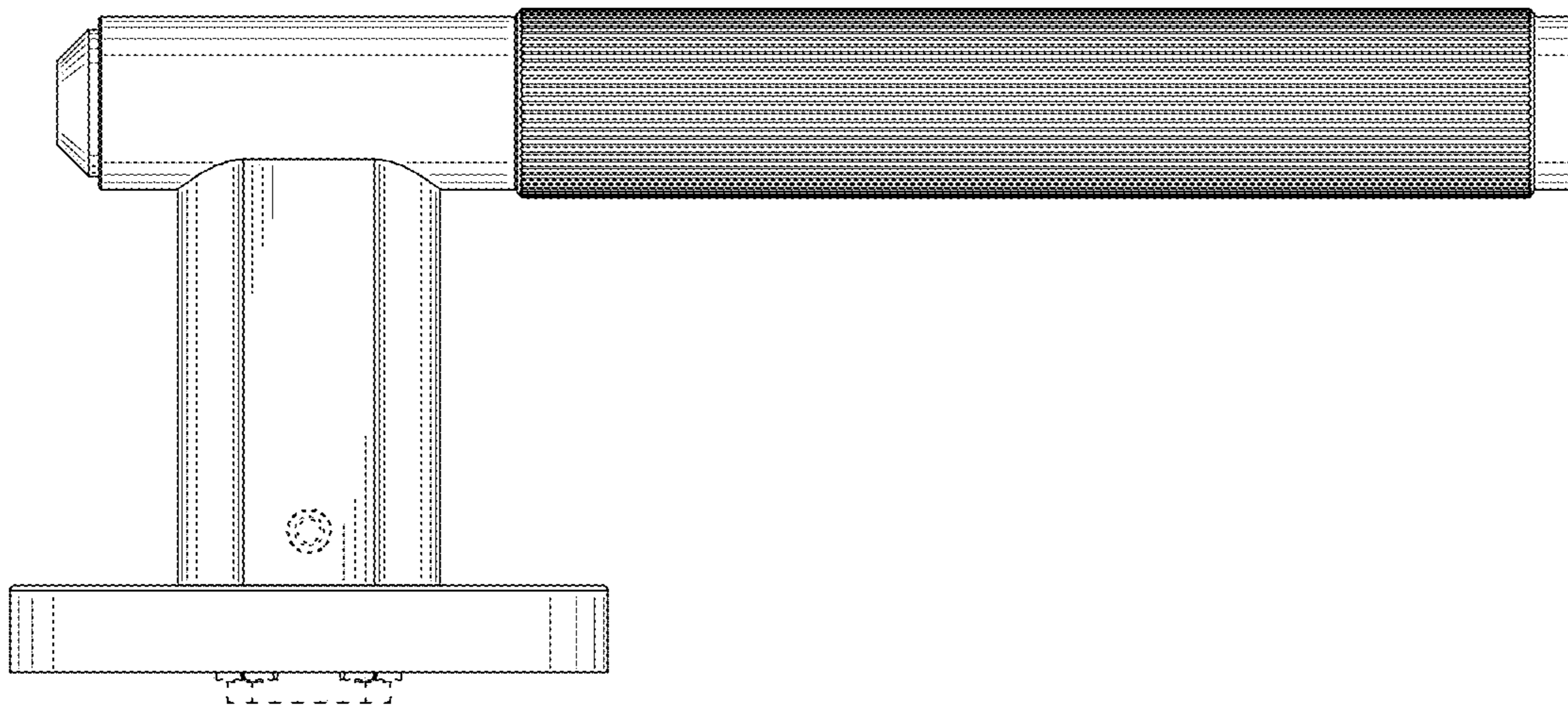


FIG. 21

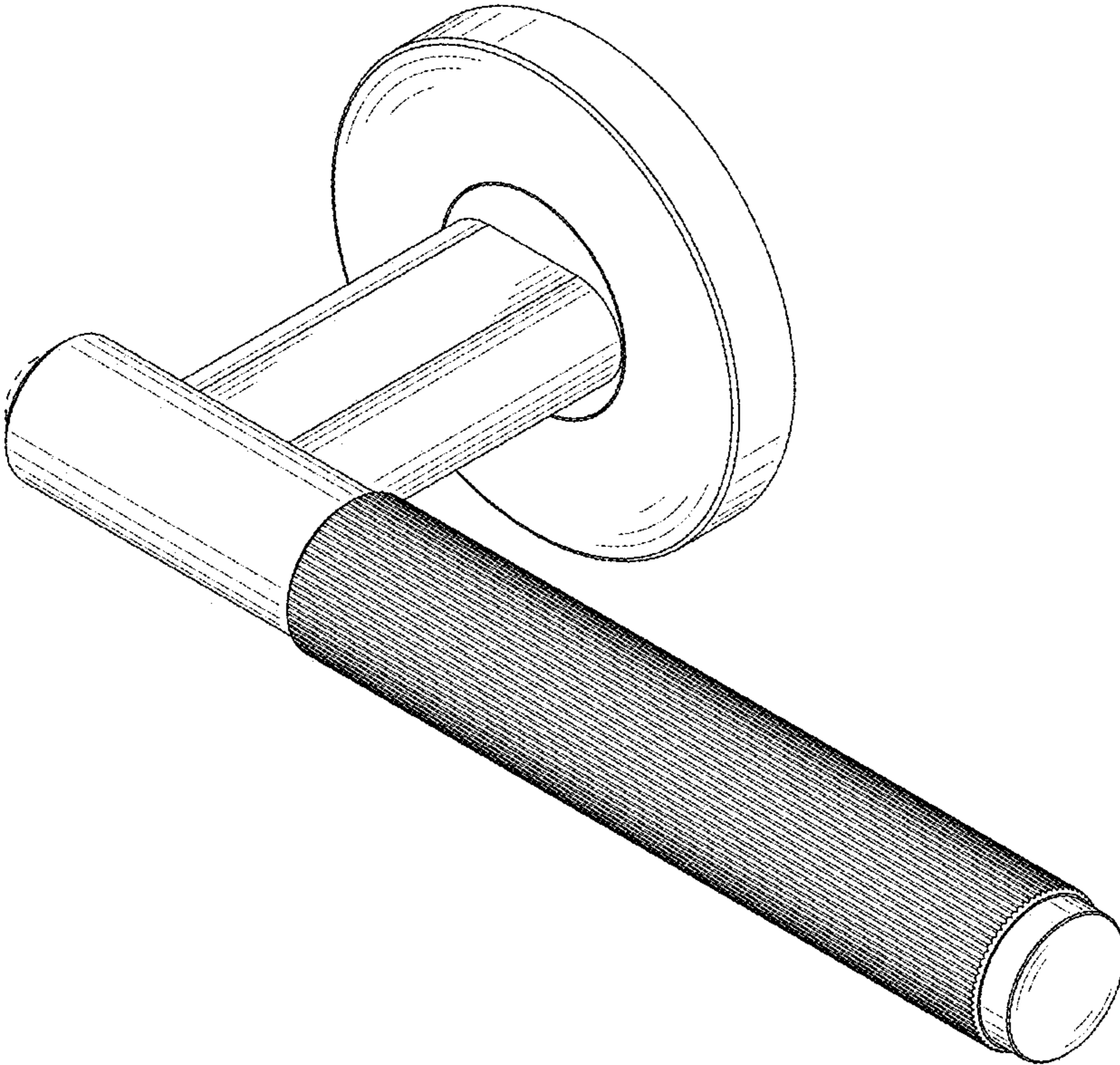


FIG. 22

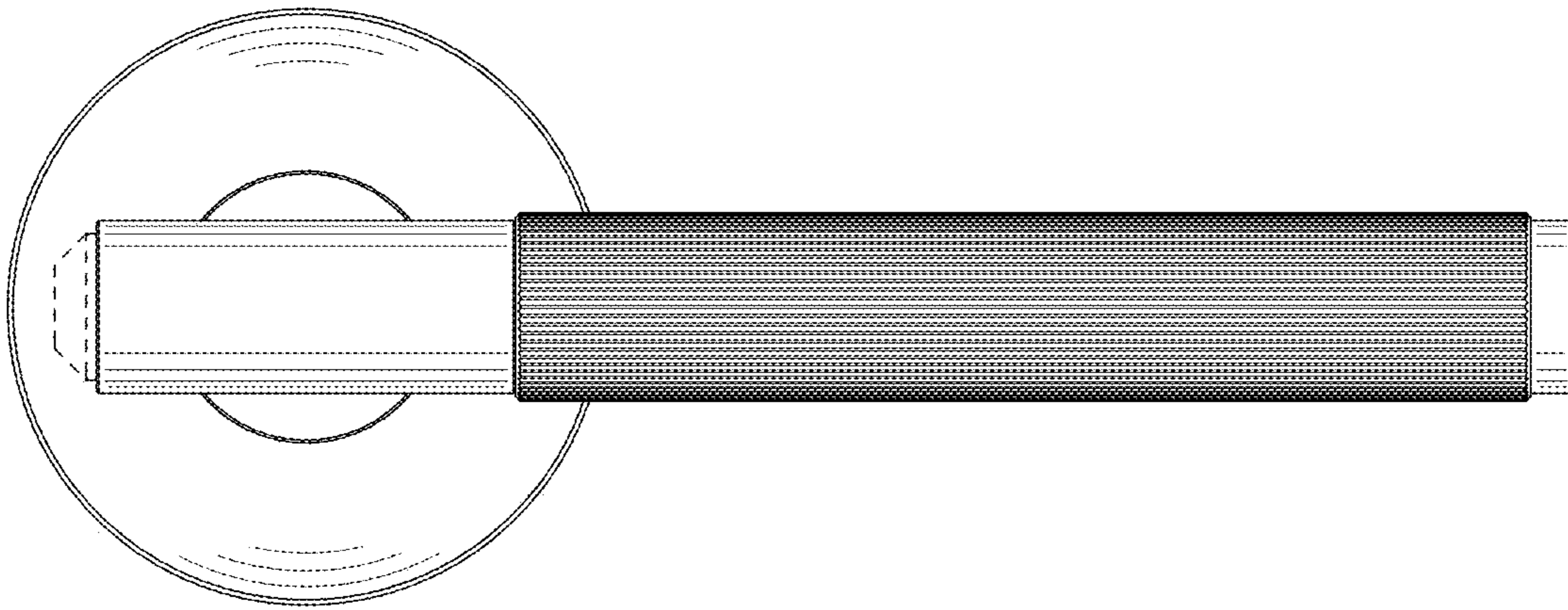


FIG. 23

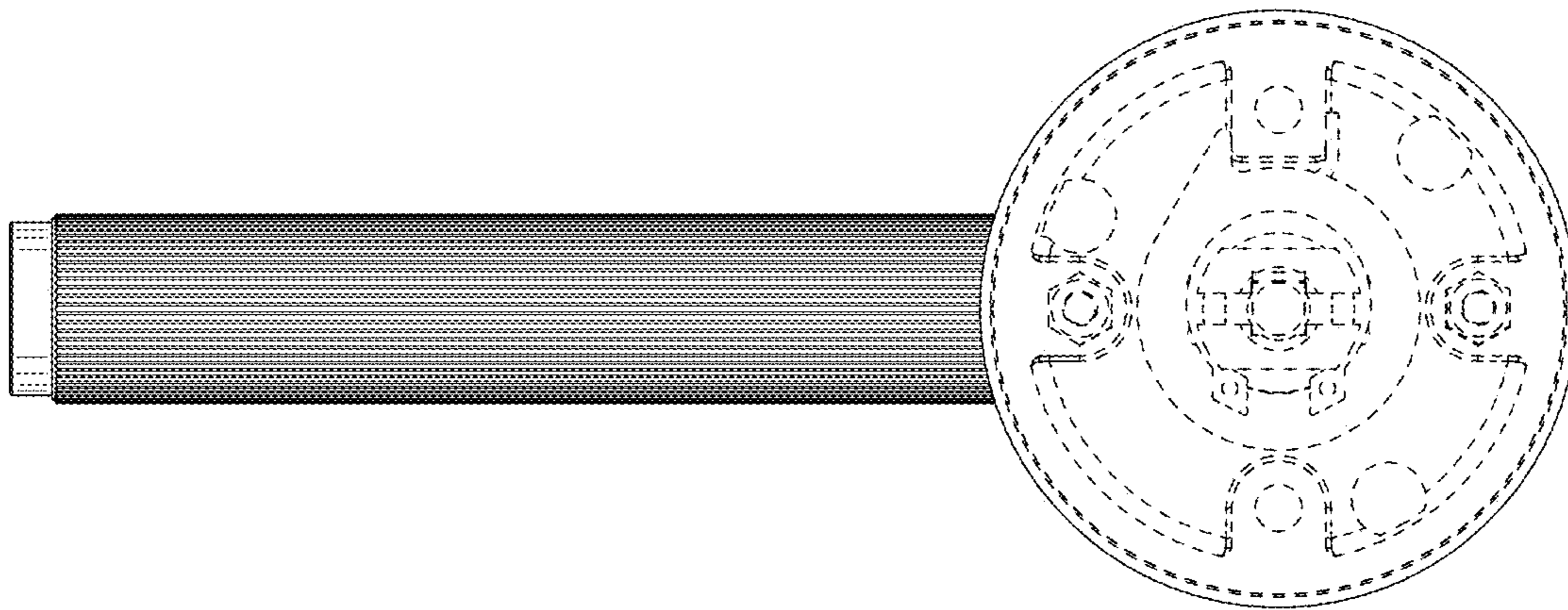


FIG. 24

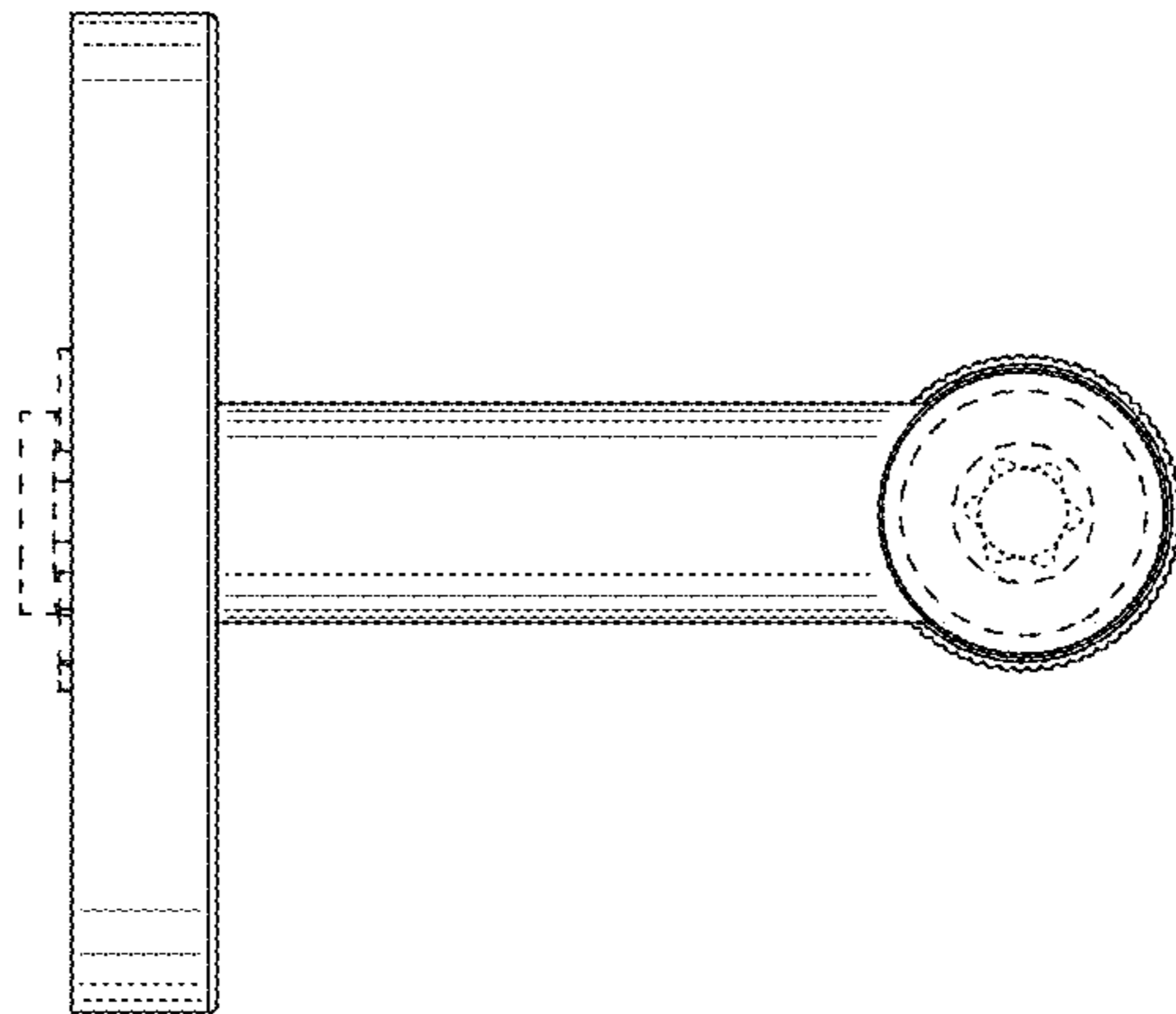


FIG. 25

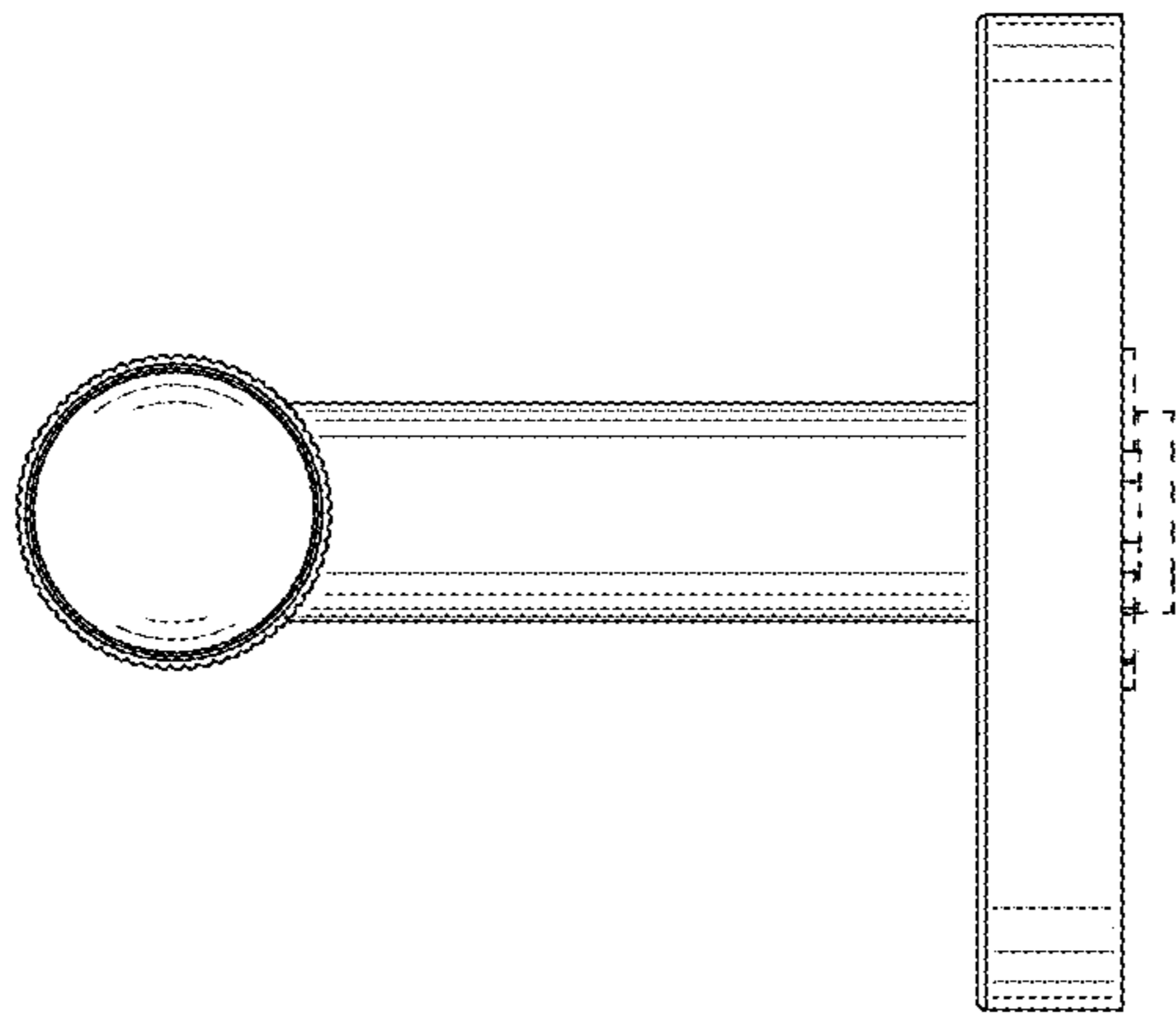


FIG. 26

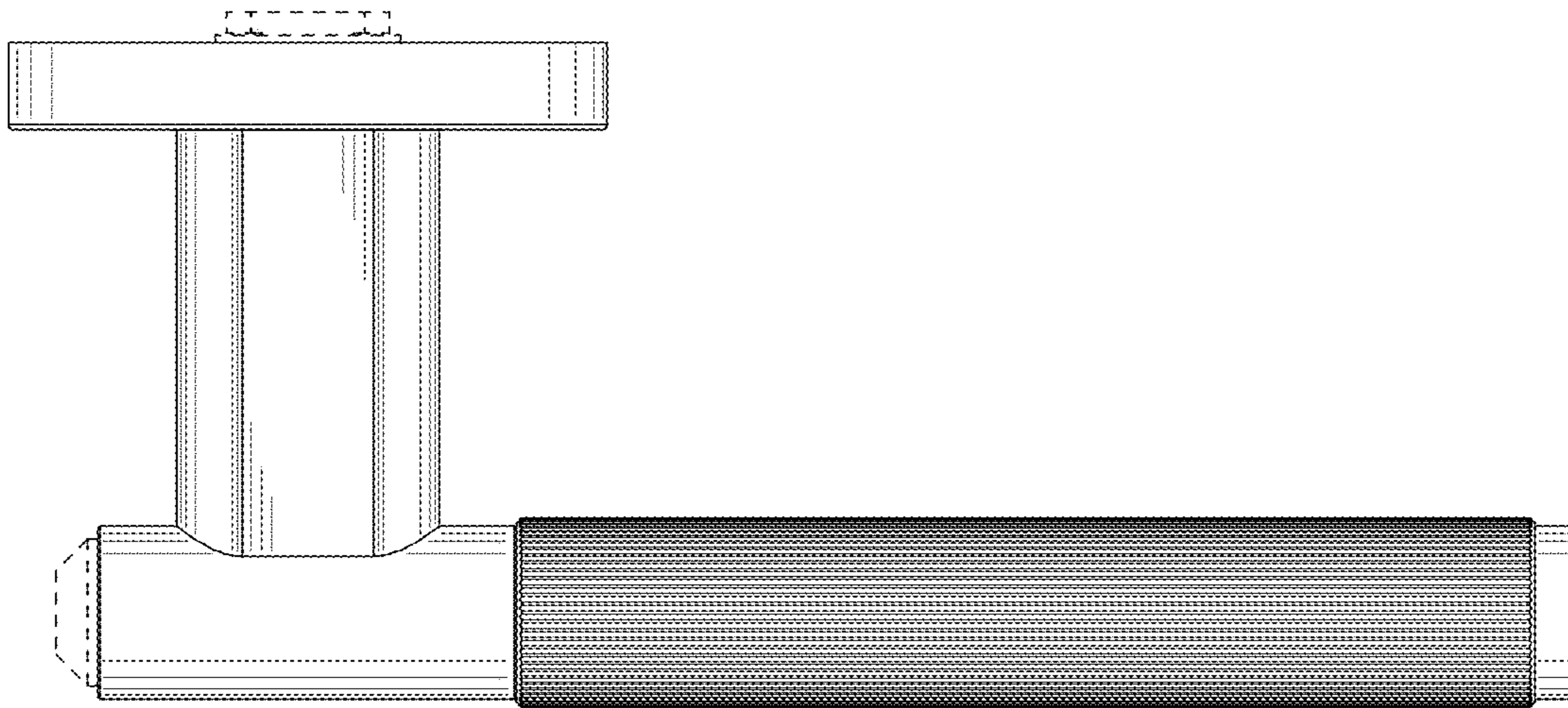


FIG. 27

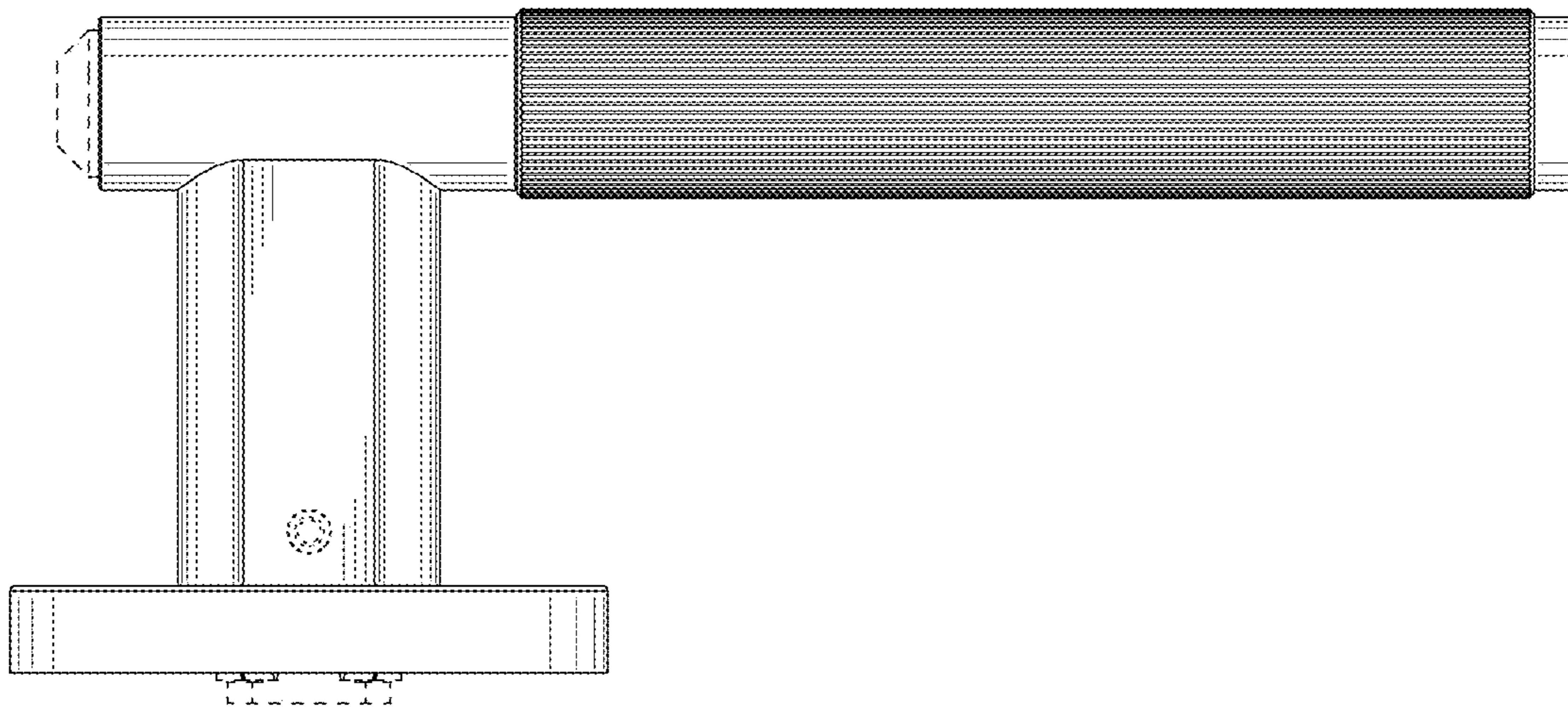


FIG. 28

UNITED STATES PATENT AND TRADEMARK OFFICE
CERTIFICATE OF CORRECTION


PATENT NO. : D948,307 S
APPLICATION NO. : 29/771116
DATED : April 12, 2022
INVENTOR(S) : Massimo Minale

Page 1 of 1

It is certified that error appears in the above-identified patent and that said Letters Patent is hereby corrected as shown below:

On the Title Page

Page 3, Column 2, Line 23, after “the door handle that form no part of the claimed” please insert
--design.--.

Signed and Sealed this
Fourteenth Day of June, 2022

Katherine Kelly Vidal
Director of the United States Patent and Trademark Office