



US00D948306S

(12) **United States Design Patent**
Lazarini

(10) **Patent No.:** **US D948,306 S**
(45) **Date of Patent:** **** Apr. 12, 2022**

(54) **KNOB**

(71) Applicant: **DELTA FAUCET COMPANY,**
Indianapolis, IN (US)

(72) Inventor: **Alejandra Lazarini,** Carmel, IN (US)

(73) Assignee: **DELTA FAUCET COMPANY,**
Indianapolis, IN (US)

(**) Term: **15 Years**

(21) Appl. No.: **29/759,865**

(22) Filed: **Nov. 25, 2020**

(51) **LOC (13) Cl.** **08-06**

(52) **U.S. Cl.**
USPC **D8/307; D8/310**

(58) **Field of Classification Search**
USPC D8/300, 307, 310, 367; D7/393;
D23/250, 252, 254

CPC ... Y10T 292/57; Y10T 16/469; Y10T 292/82;
Y10T 74/2084; Y10T 292/85; Y10T
16/458; Y10T 16/506; Y10T 70/5155;
Y10T 16/46; Y10T 16/4559; Y10T
74/20828; Y10T 70/8541; Y10T
74/20612; Y10T 16/459; Y10T 16/487;
Y10T 70/5389; Y10T 16/462; Y10T
16/4636; E05B 1/0007; E05B 3/00; Y10S
16/30; Y10S 292/53; Y10S 292/27

See application file for complete search history.

(56) **References Cited**

U.S. PATENT DOCUMENTS

D248,366	S	*	7/1978	Arends	D8/302
D325,865	S	*	5/1992	Del	D8/306
D330,289	S	*	10/1992	Sharpe	D6/323
D373,505	S	*	9/1996	Chan	D7/393
D721,567	S	*	1/2015	Corpuz, Jr.	D8/310
D806,511	S	*	1/2018	Yuan	D8/311
2006/0124811	A1	*	6/2006	Tatarsky	A47B 96/067 248/220.31

* cited by examiner

Primary Examiner — Lauren R Calve

(74) *Attorney, Agent, or Firm* — Nirav D. Parikh; Edgar
A. Zarins

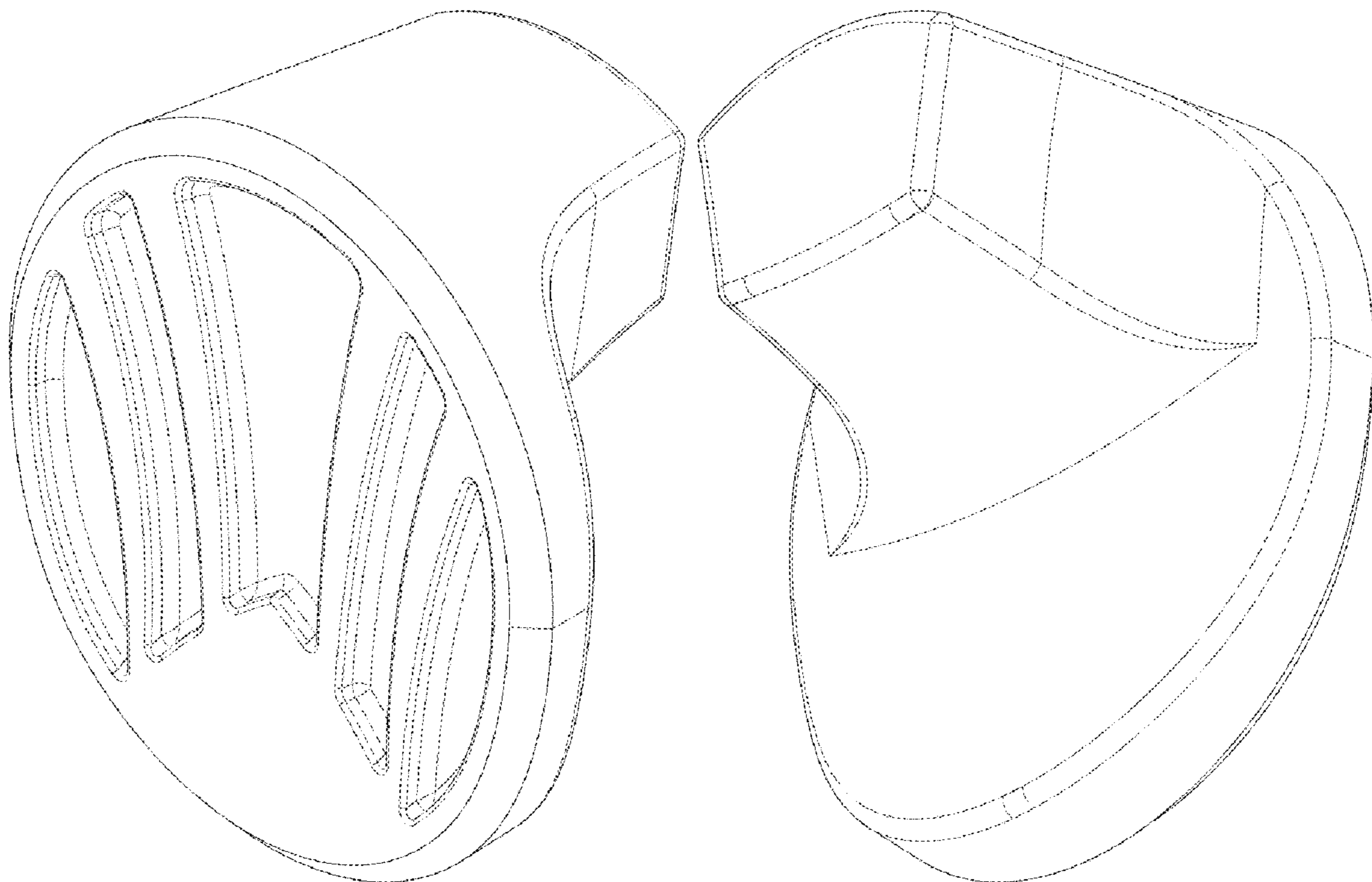
(57) **CLAIM**

The ornamental design for a knob, as shown and described.

DESCRIPTION

FIG. 1 is a front perspective view of a knob showing my new design;
FIG. 2 is a rear perspective view thereof;
FIG. 3 is a front elevational view thereof;
FIG. 4 is a left side view thereof;
FIG. 5 is a rear view thereof;
FIG. 6 is a right side view thereof;
FIG. 7 is a top plan view thereof; and,
FIG. 8 is a bottom view thereof.

1 Claim, 4 Drawing Sheets



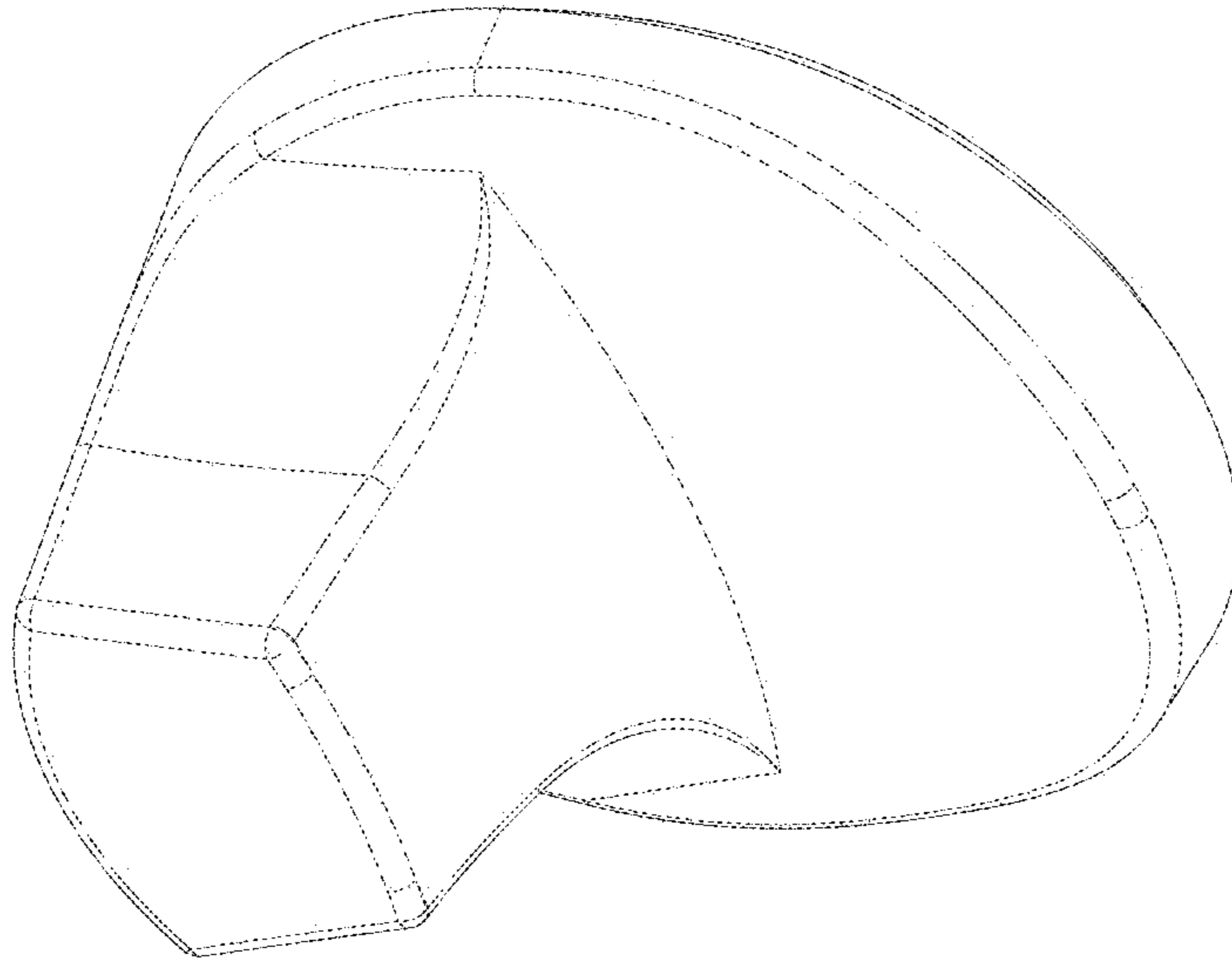


FIG - 1

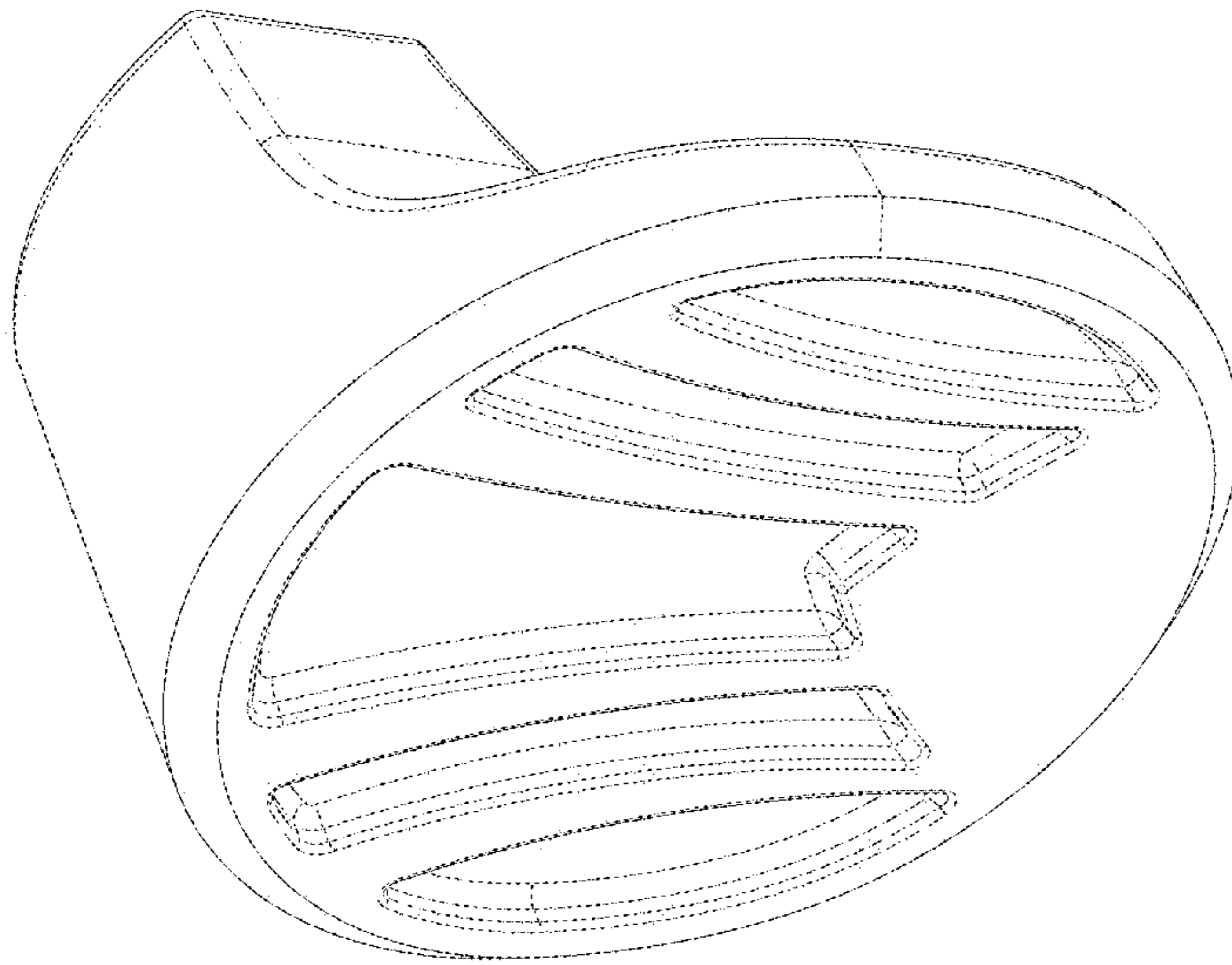


FIG - 2

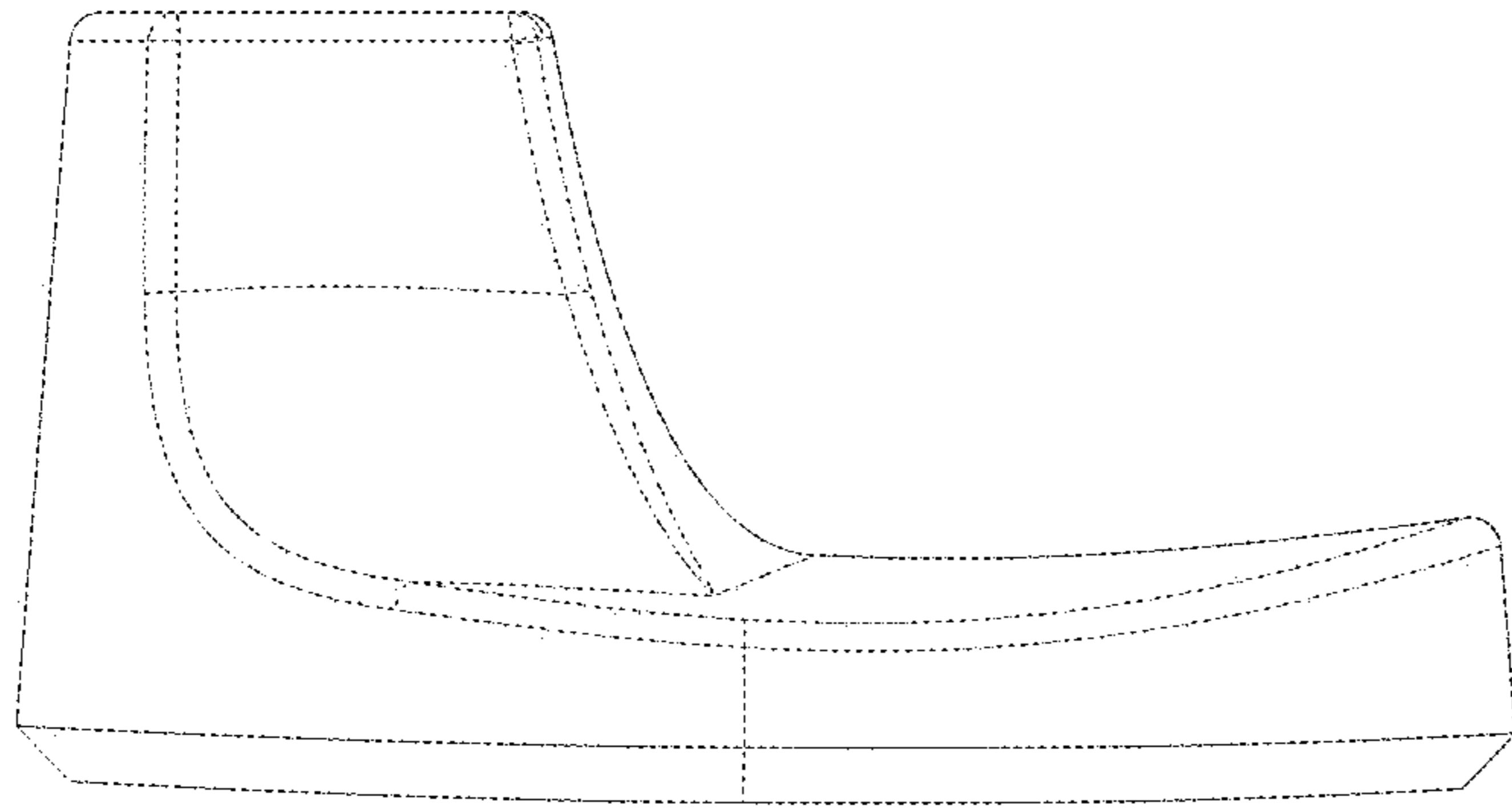


FIG - 4

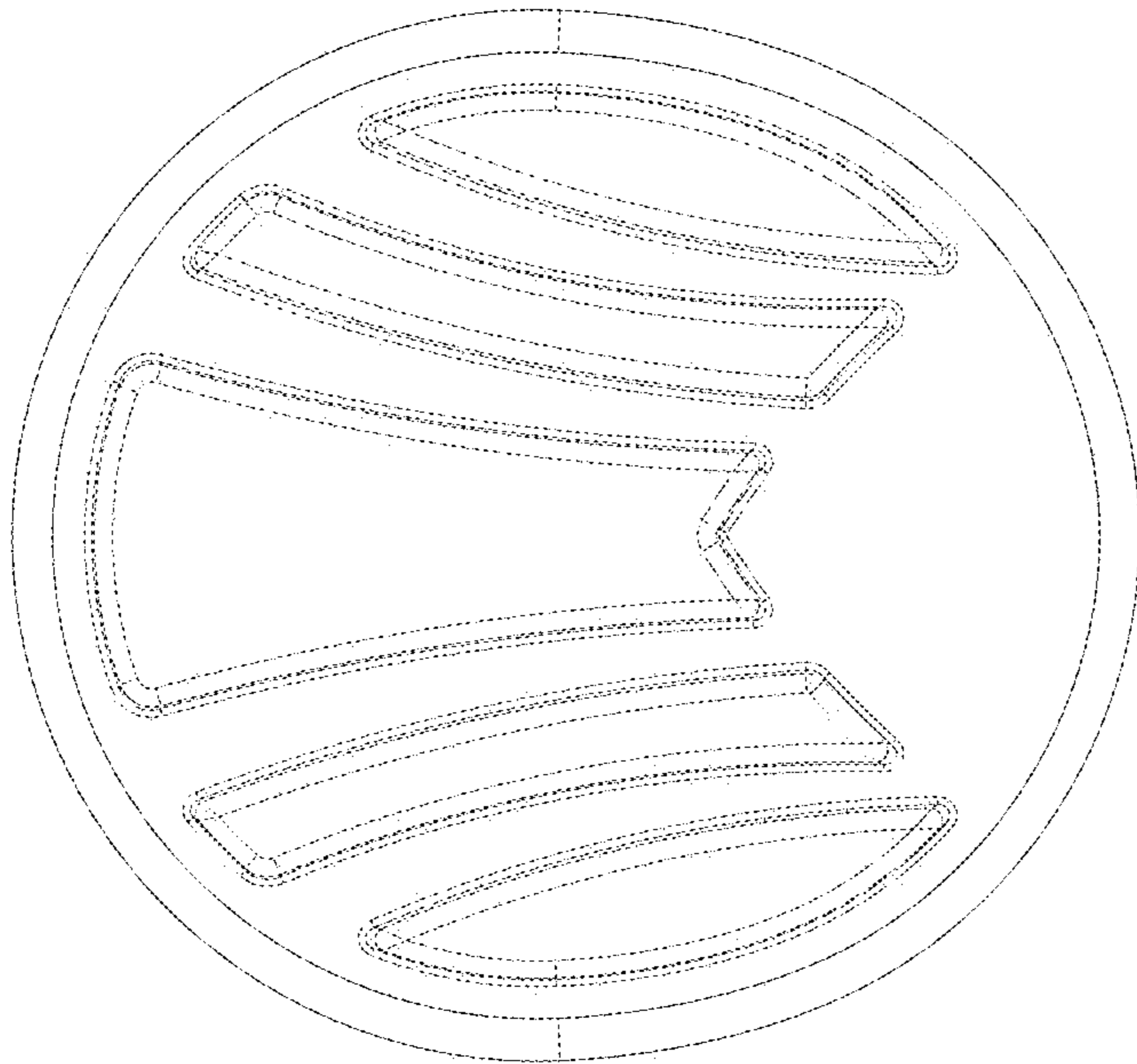


FIG - 3

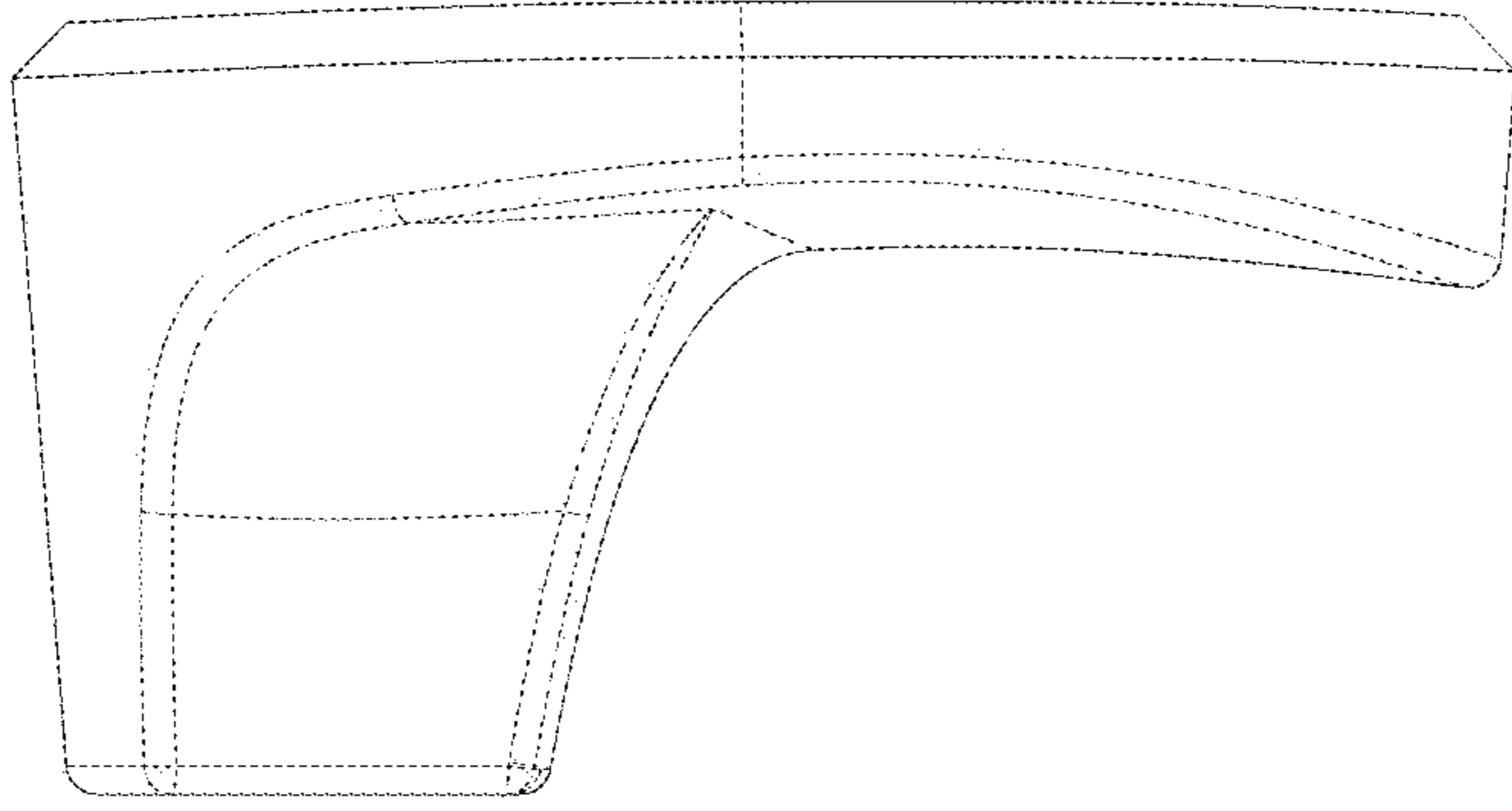


FIG - 6

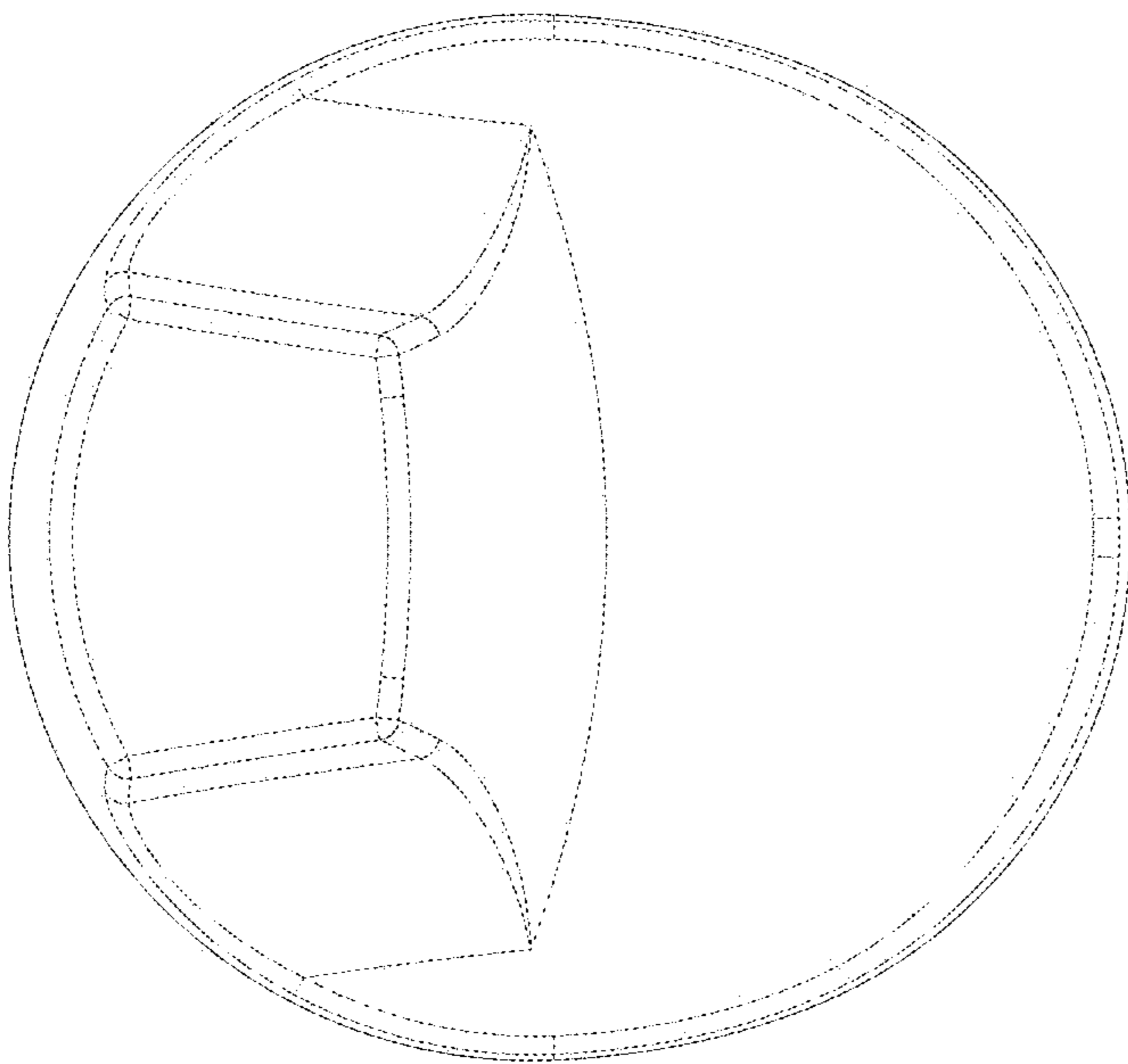


FIG - 5

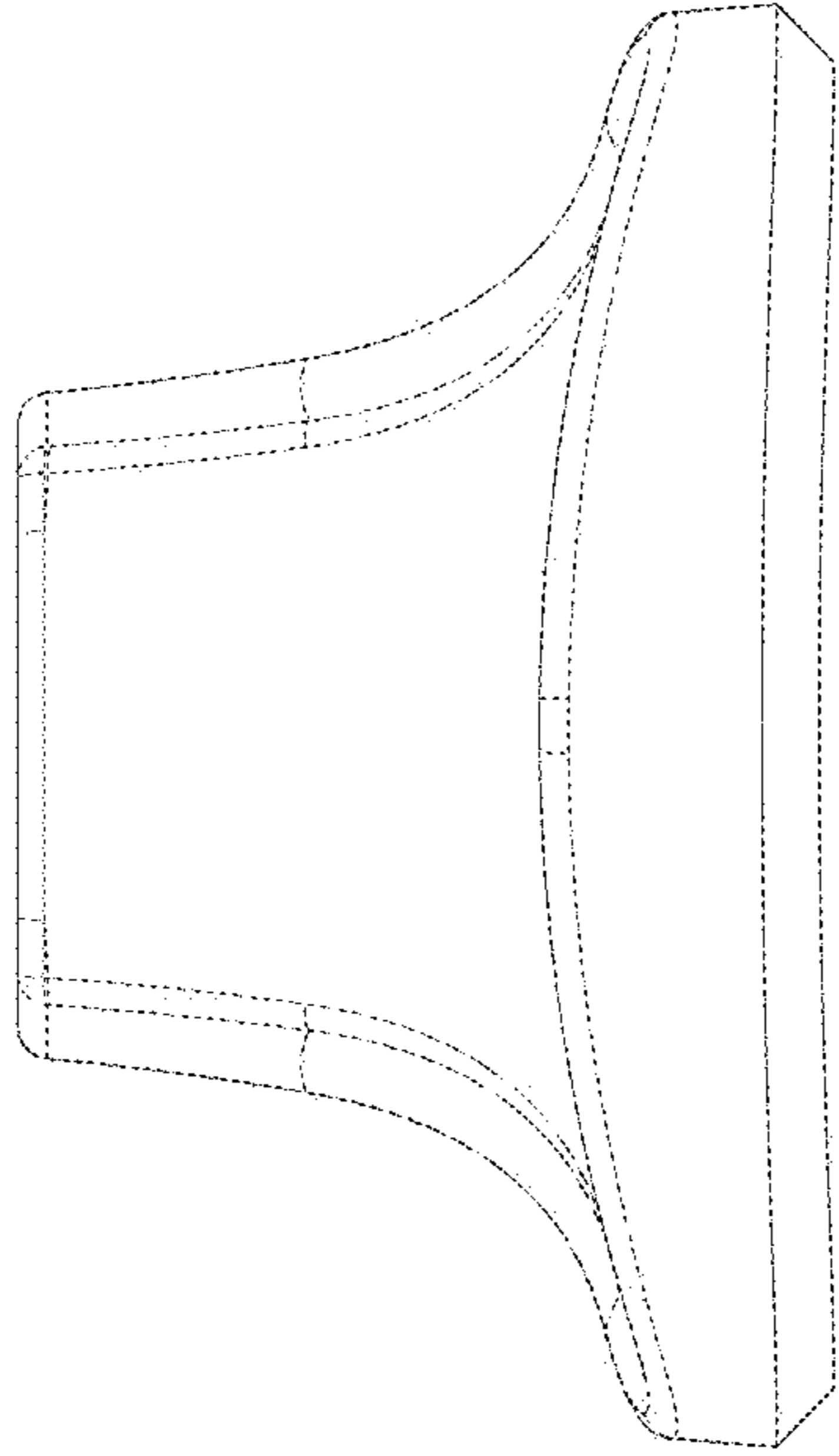


FIG - 8

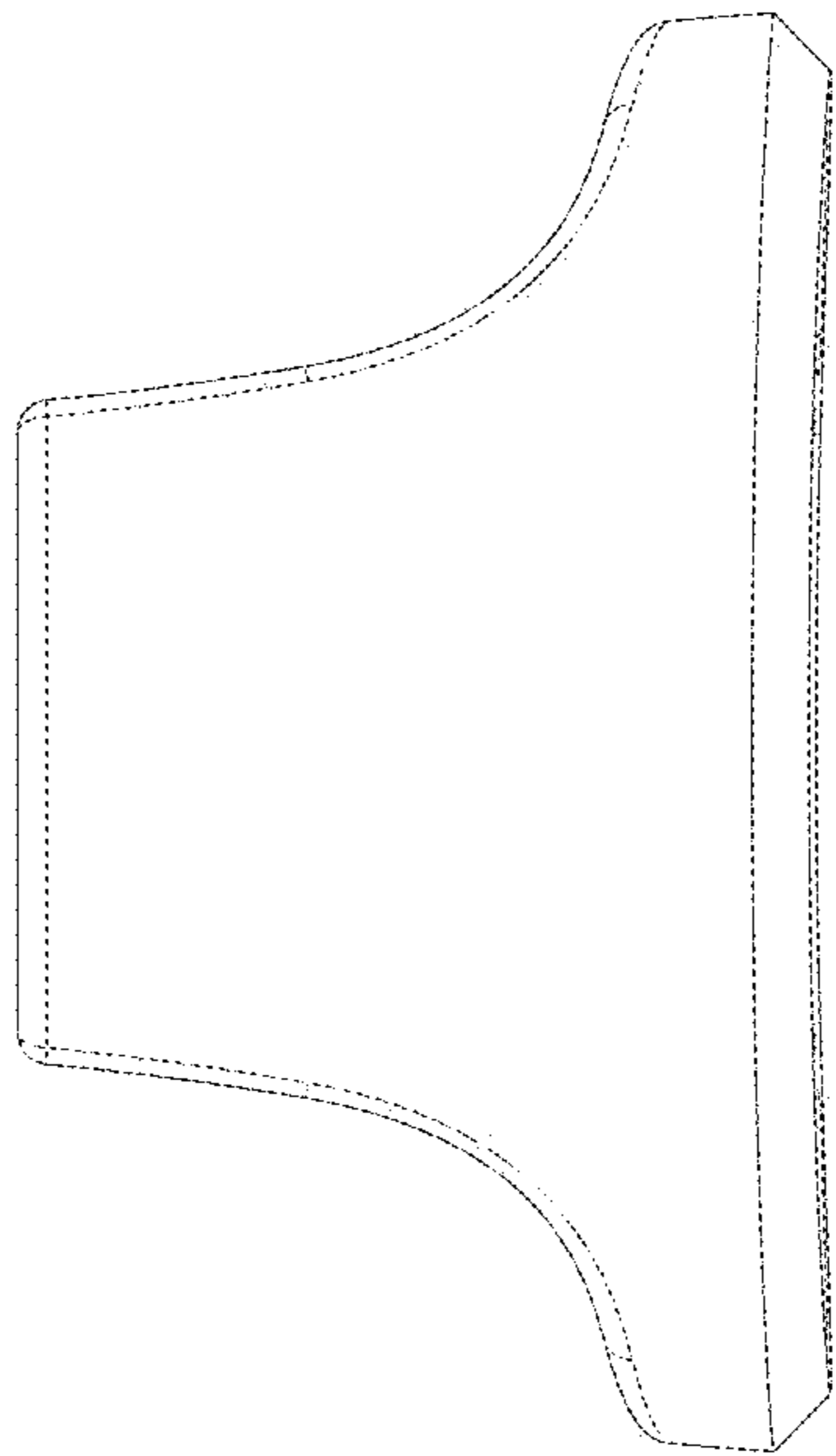


FIG - 7