

US00D948303S

(12) **United States Design Patent**
Juraga

(10) **Patent No.:** **US D948,303 S**

(45) **Date of Patent:** **** Apr. 12, 2022**

(54) **CLAMP**

(71) Applicant: **Kresimir Juraga**, Morrisville, PA (US)

(72) Inventor: **Kresimir Juraga**, Morrisville, PA (US)

(**) Term: **15 Years**

(21) Appl. No.: **29/760,142**

(22) Filed: **Nov. 30, 2020**

(51) **LOC (13) Cl.** **08-05**

(52) **U.S. Cl.**
USPC **D8/72**

(58) **Field of Classification Search**
USPC D8/71-74, 394-399, 59; 81/63, 72, 74.1,
81/689, 124.2; 269/3, 4, 6, 143, 165,
269/240, 243, 246-249, 254 R, 147-149;
29/256, 257, 276; 408/103, 104-109
CPC B25B 1/00; B25B 5/00
See application file for complete search history.

(56) **References Cited**

U.S. PATENT DOCUMENTS

9,038,970	B2 *	5/2015	Kataoka	F16L 55/035 248/74.1
D787,305	S *	5/2017	McNamee, Jr.	D8/396
D824,755	S *	8/2018	Bauer	D8/394
D843,806	S *	3/2019	Brigham	D8/71
D899,883	S *	10/2020	Heath, Jr.	D8/72
D929,839	S *	9/2021	Heath, Jr.	D8/72
D934,063	S *	10/2021	Buczynski	D8/394
2005/0127248	A1 *	6/2005	Suzuki	F16L 55/035 248/68.1
2007/0056243	A1 *	3/2007	Riccitelli	E04F 15/04 52/698

2010/0083610	A1 *	4/2010	King	B25B 23/005 52/749.1
2010/0132979	A1 *	6/2010	Chen	H02G 3/32 174/135
2013/0180152	A1 *	7/2013	Speroni	F41G 1/35 42/99
2017/0114536	A1 *	4/2017	Tebo	E04B 5/12

* cited by examiner

Primary Examiner — David G Muller

(74) *Attorney, Agent, or Firm* — Ross Brandborg

(57) **CLAIM**

I claim the ornamental design for a clamp, as shown and described.

DESCRIPTION

FIG. 1 shows a perspective front view of the invention; FIG. 2 shows a straight side front thereof; FIG. 3 shows a bottom view thereof; FIG. 4 shows the top view thereof; FIG. 5 shows a side view thereof; and, FIG. 6 shows a perspective view of the invention in use with the dashed lines showing environment and are not part of the claimed invention.

The unit is symmetric, the front and back are the same along with the right and left sides and top and bottom.

The broken lines present in the drawings are used to show contour or environment and make up no part of the claimed invention.

1 Claim, 6 Drawing Sheets

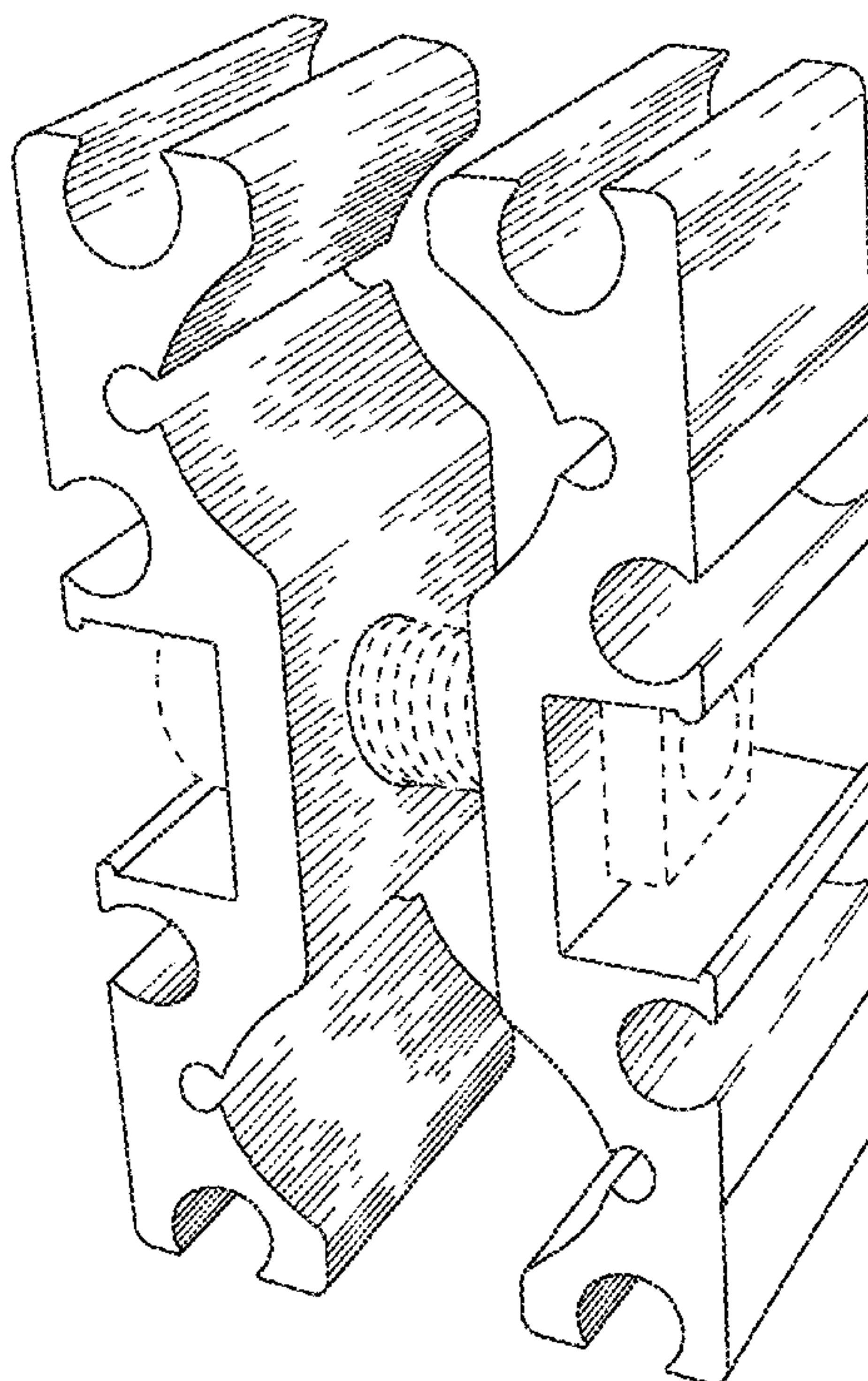


FIG. 1

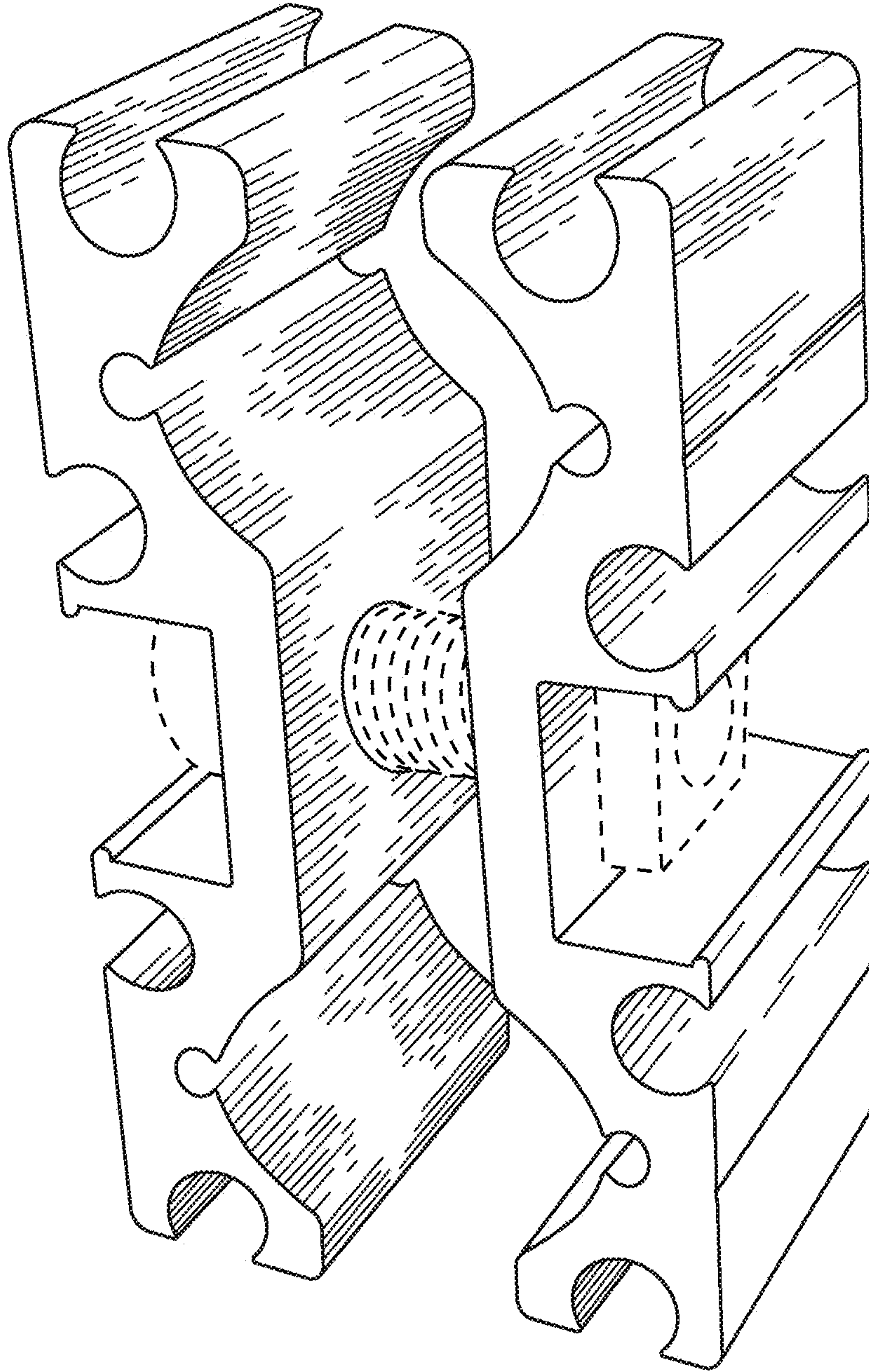


FIG.2

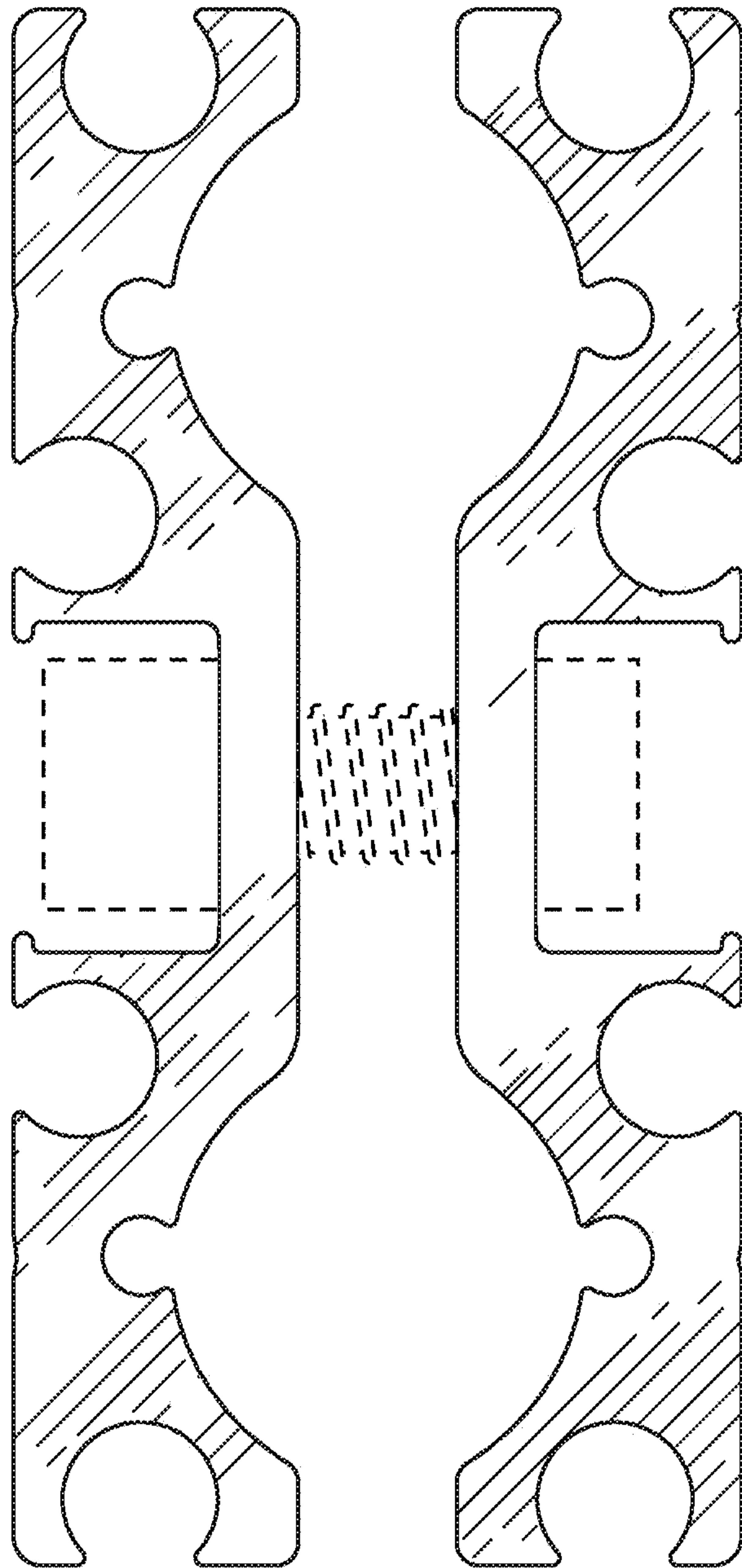


FIG.3

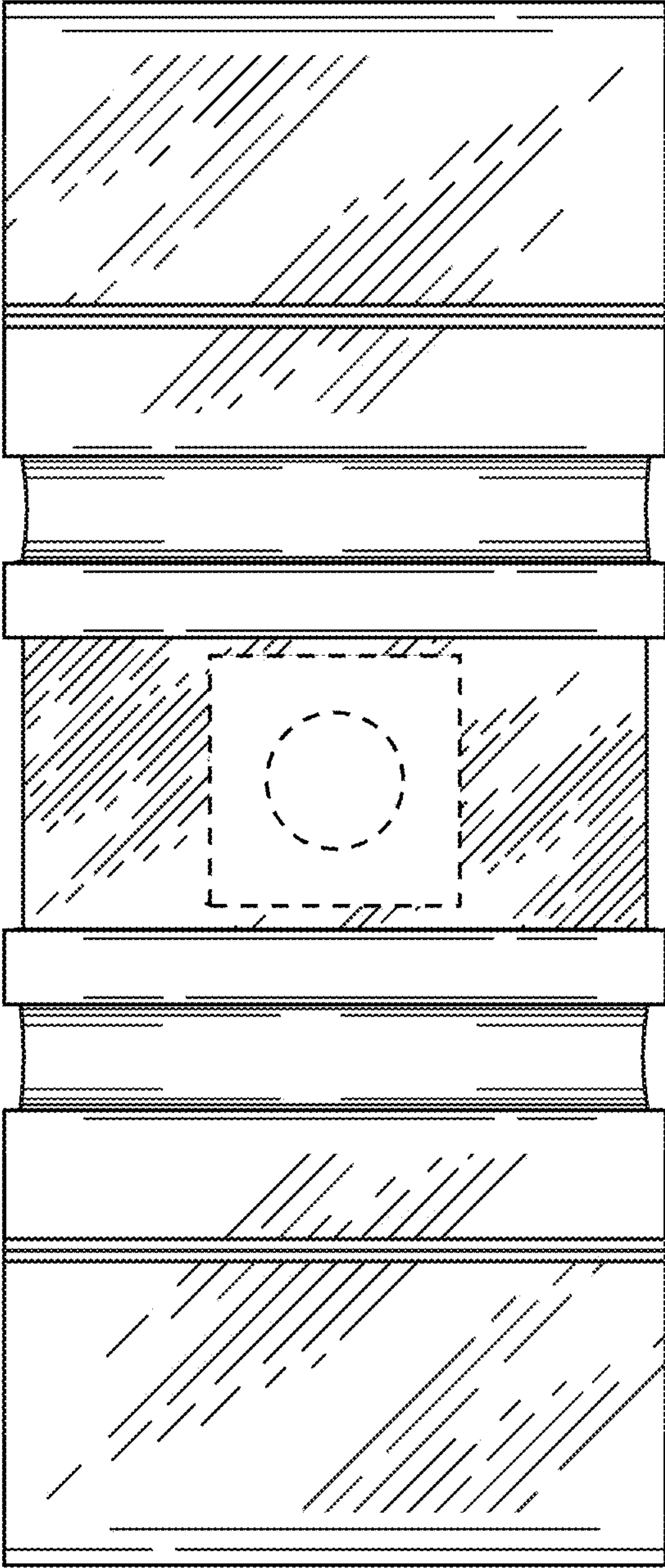


FIG.4

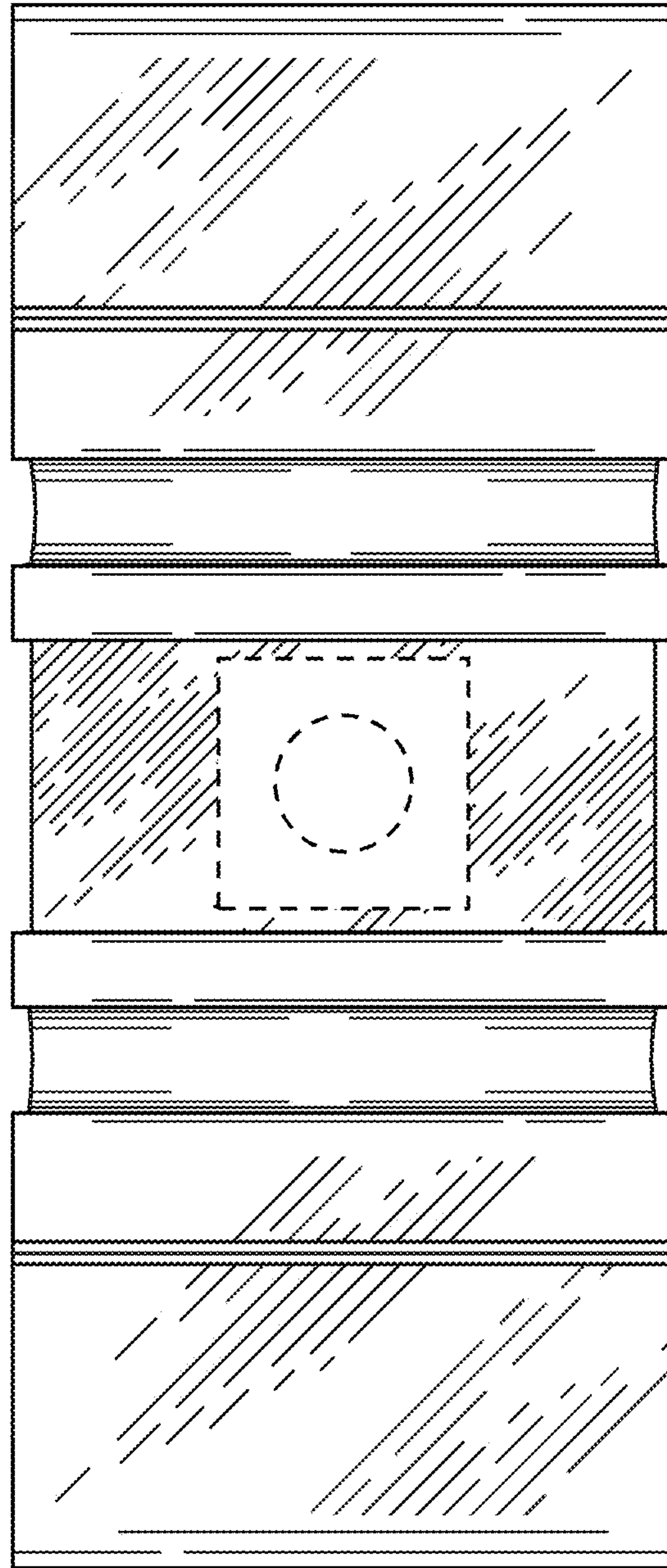


FIG.5

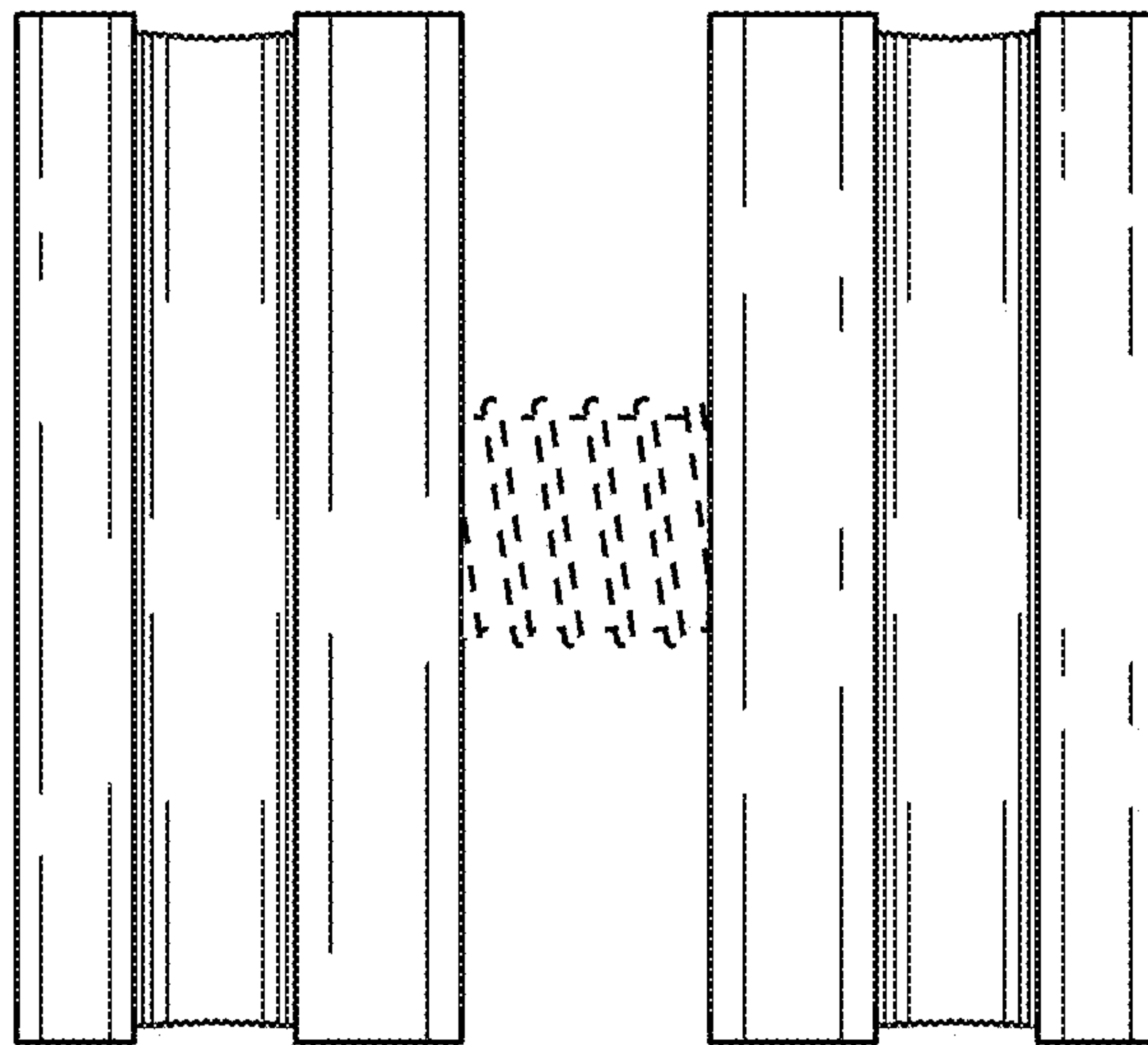


FIG.6

