



US00D948302S

(12) **United States Design Patent**  
**Hsieh**

(10) **Patent No.:** **US D948,302 S**

(45) **Date of Patent:** **\*\* Apr. 12, 2022**

(54) **FOLDABLE MAGNETIC PAD**

(71) Applicant: **Chih-Chien Hsieh**, Taichung (TW)

(72) Inventor: **Chih-Chien Hsieh**, Taichung (TW)

(\*\*) Term: **15 Years**

(21) Appl. No.: **29/761,959**

(22) Filed: **Dec. 14, 2020**

(51) **LOC (13) Cl.** ..... **08-05**

(52) **U.S. Cl.**  
USPC ..... **D8/71**

(58) **Field of Classification Search**  
USPC ..... D8/14, 15, 71; D12/203; D9/456  
CPC ..... B25H 3/04; A47F 5/0823; A47G 29/08;  
F16B 5/0664

See application file for complete search history.

(56) **References Cited**

**U.S. PATENT DOCUMENTS**

- 2,958,019 A \* 10/1960 Scholten ..... B23Q 3/1546  
335/285
- 3,665,355 A \* 5/1972 Sasaki ..... H01F 7/0215  
335/306
- 3,924,212 A \* 12/1975 Brown ..... H01F 7/0215  
335/303
- D261,936 S \* 11/1981 Sumiyasu ..... D13/183
- 4,822,177 A \* 4/1989 Arend ..... A45C 3/10  
383/123
- 4,826,059 A \* 5/1989 Bosch ..... A45C 11/24  
206/350
- D302,417 S \* 7/1989 Lehner ..... D12/203
- D392,957 S \* 3/1998 Gaete ..... D20/10
- D392,958 S \* 3/1998 Gaete ..... D20/10
- 6,126,588 A \* 10/2000 Flamant ..... A61L 15/18  
600/15
- 6,587,022 B1 \* 7/2003 Devine ..... A45F 5/00  
206/350
- D581,459 S \* 11/2008 Stephenson ..... D19/33

- D593,391 S \* 6/2009 Lamb ..... D8/71
- D643,878 S \* 8/2011 Osorio ..... D19/113
- D679,534 S \* 4/2013 Stoddard ..... D6/592
- D697,551 S \* 1/2014 Colbert ..... D19/26
- 9,095,234 B2 \* 8/2015 Lee ..... A47G 9/062
- 10,207,401 B1 \* 2/2019 Pedrin ..... B25H 3/04
- 10,974,883 B1 \* 4/2021 Questiaux ..... B65D 73/0035
- 2020/0269412 A1 \* 8/2020 Hsieh ..... B32B 3/08
- 2020/0306950 A1 \* 10/2020 Chang ..... B25H 3/04

\* cited by examiner

*Primary Examiner* — Keli L Hill

*Assistant Examiner* — Harold E Blackwell, II

(74) *Attorney, Agent, or Firm* — Egbert, McDaniel & Swartz, PLLC

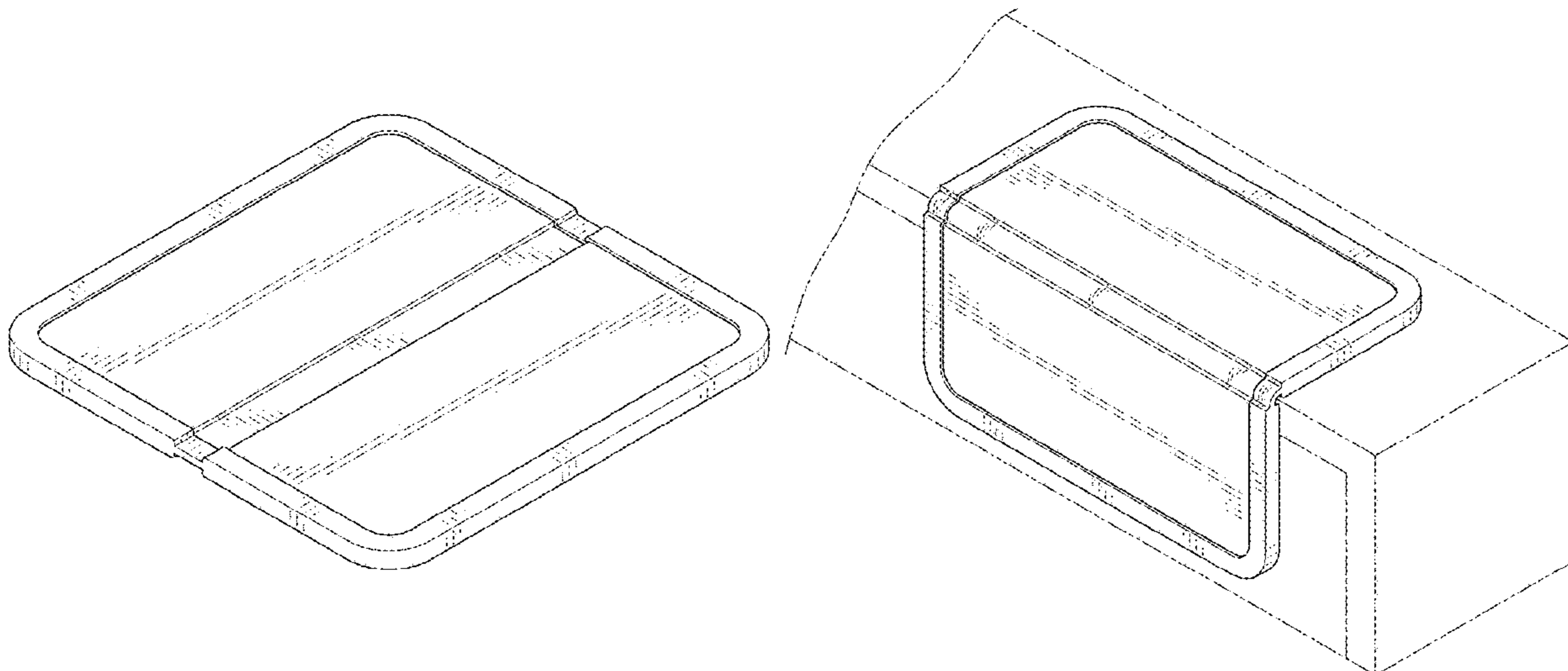
(57) **CLAIM**

The ornamental design for a foldable magnetic pad, as shown and described.

**DESCRIPTION**

FIG. 1 is an upper perspective view of a foldable magnetic pad showing my new design;  
 FIG. 2 is a front view thereof;  
 FIG. 3 is a rear view thereof;  
 FIG. 4 is a left side view thereof;  
 FIG. 5 is a right side view thereof;  
 FIG. 6 is a top plan view thereof;  
 FIG. 7 is a bottom plan view thereof;  
 FIG. 8 illustrates the foldable magnetic pad in a first folded state and in a condition of use; and,  
 FIG. 9 illustrates the foldable magnetic pad in a second folded state.  
 The broken lines in FIG. 8 illustrate the environment of the claimed design and forms no part of the claimed design.

**1 Claim, 9 Drawing Sheets**



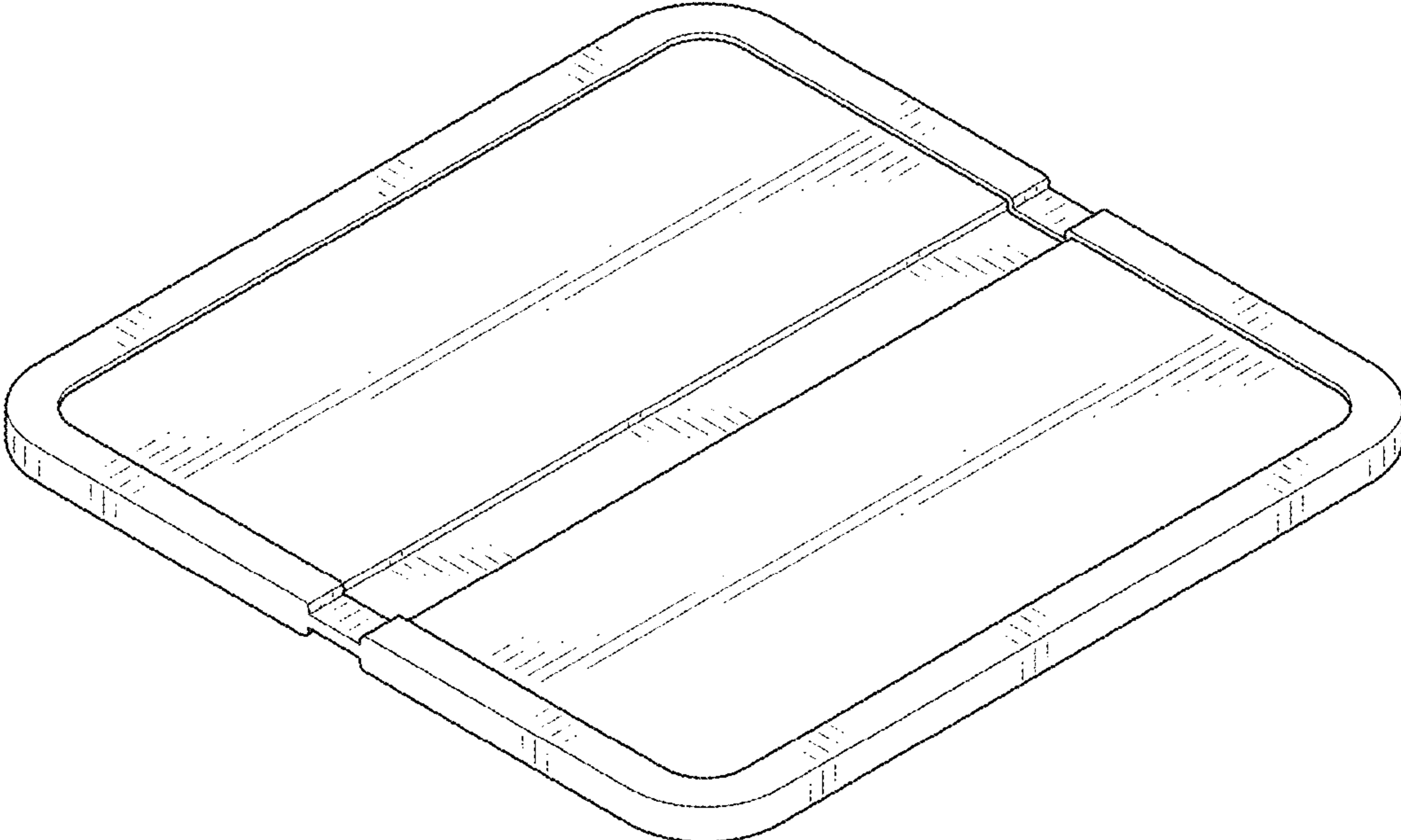


FIG. 1

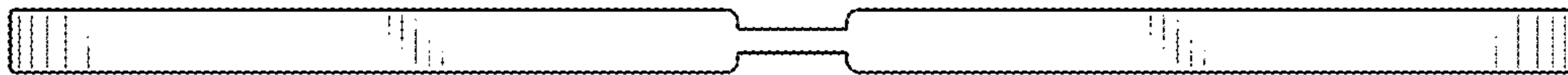


FIG. 2

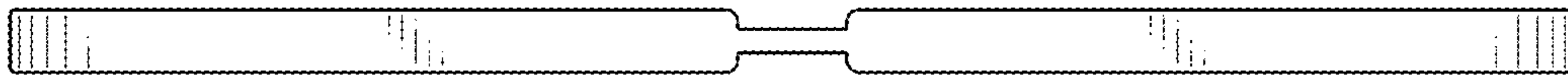


FIG. 3



FIG. 4



FIG. 5

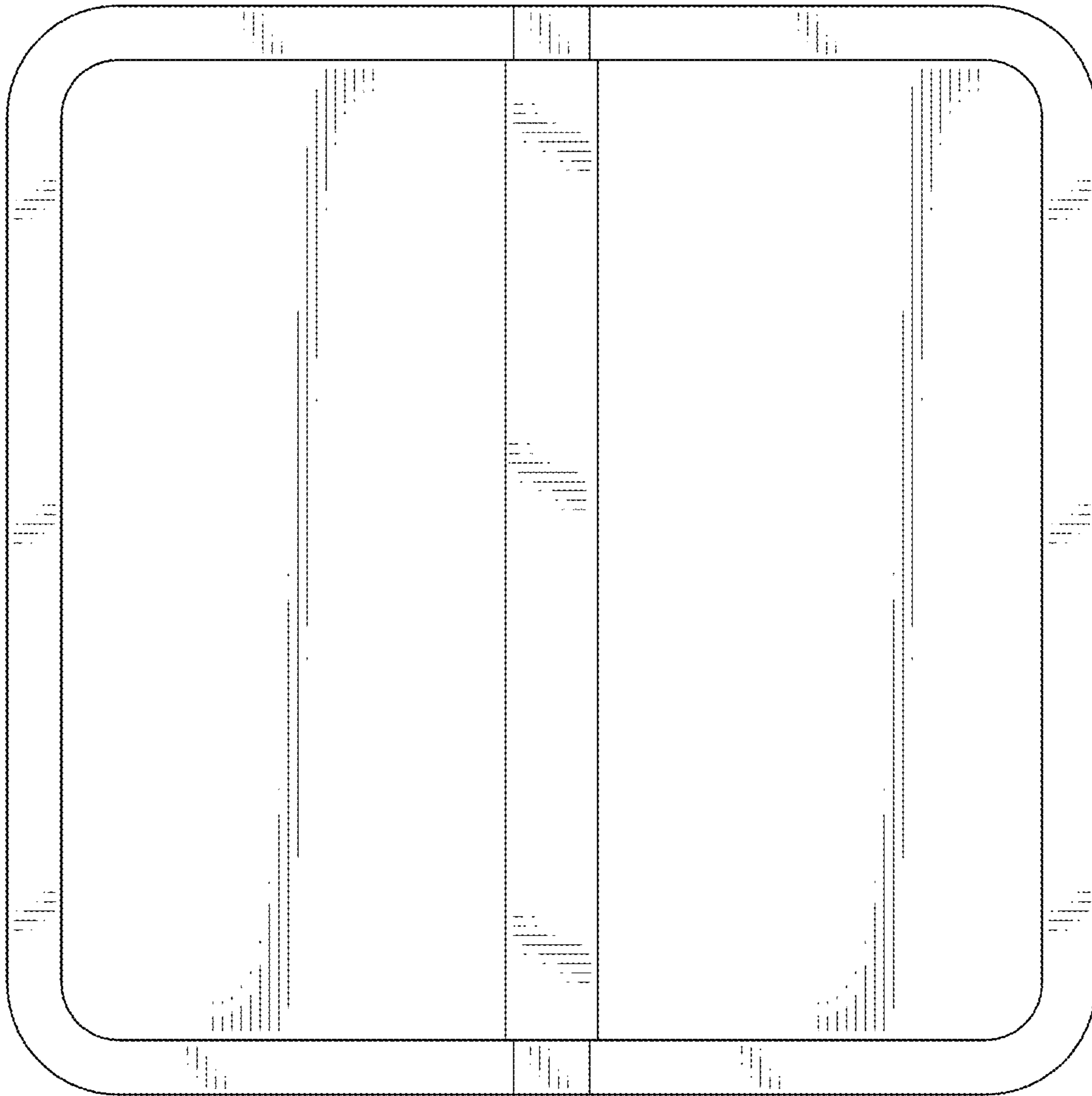


FIG. 6

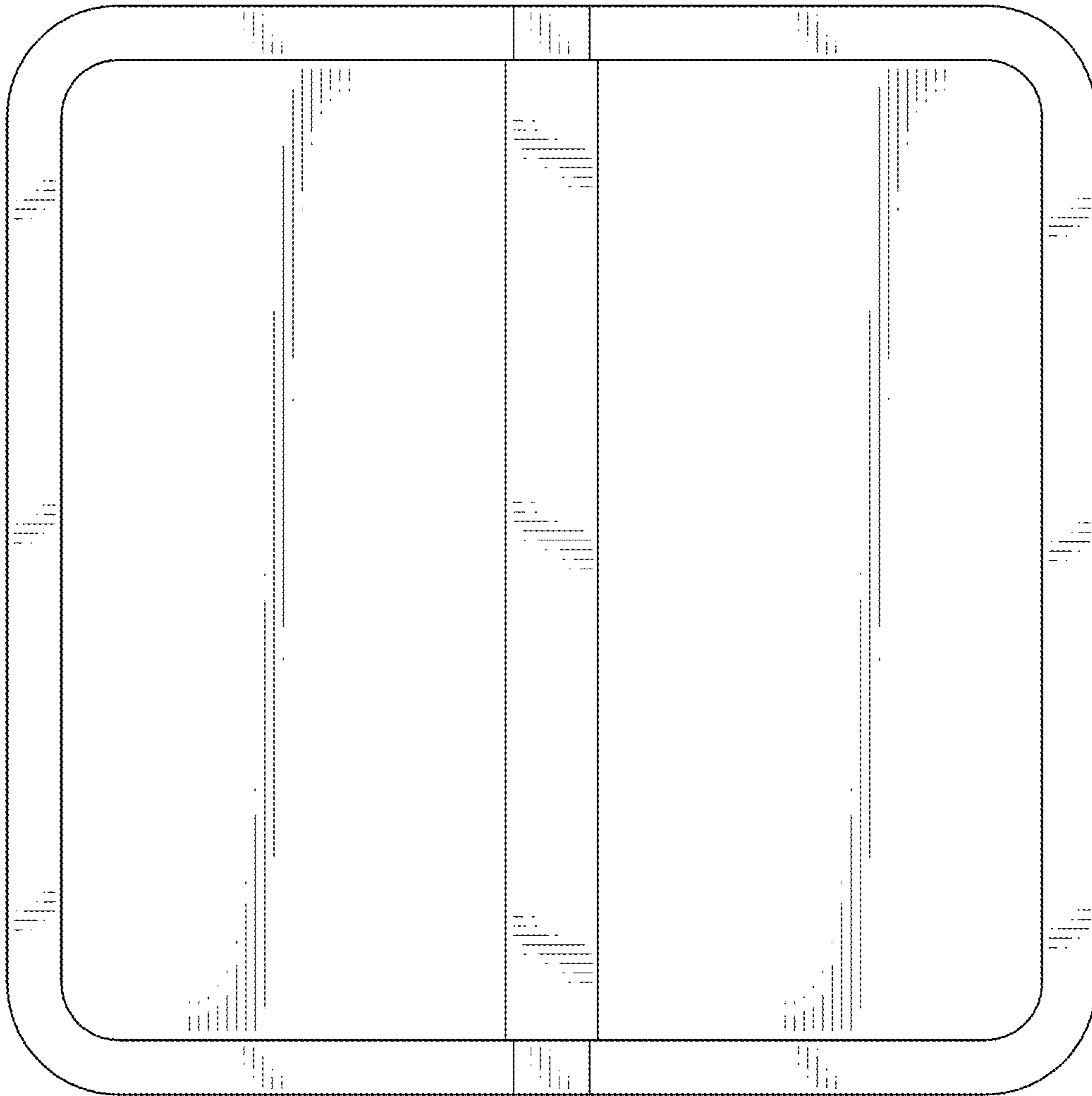


FIG. 7



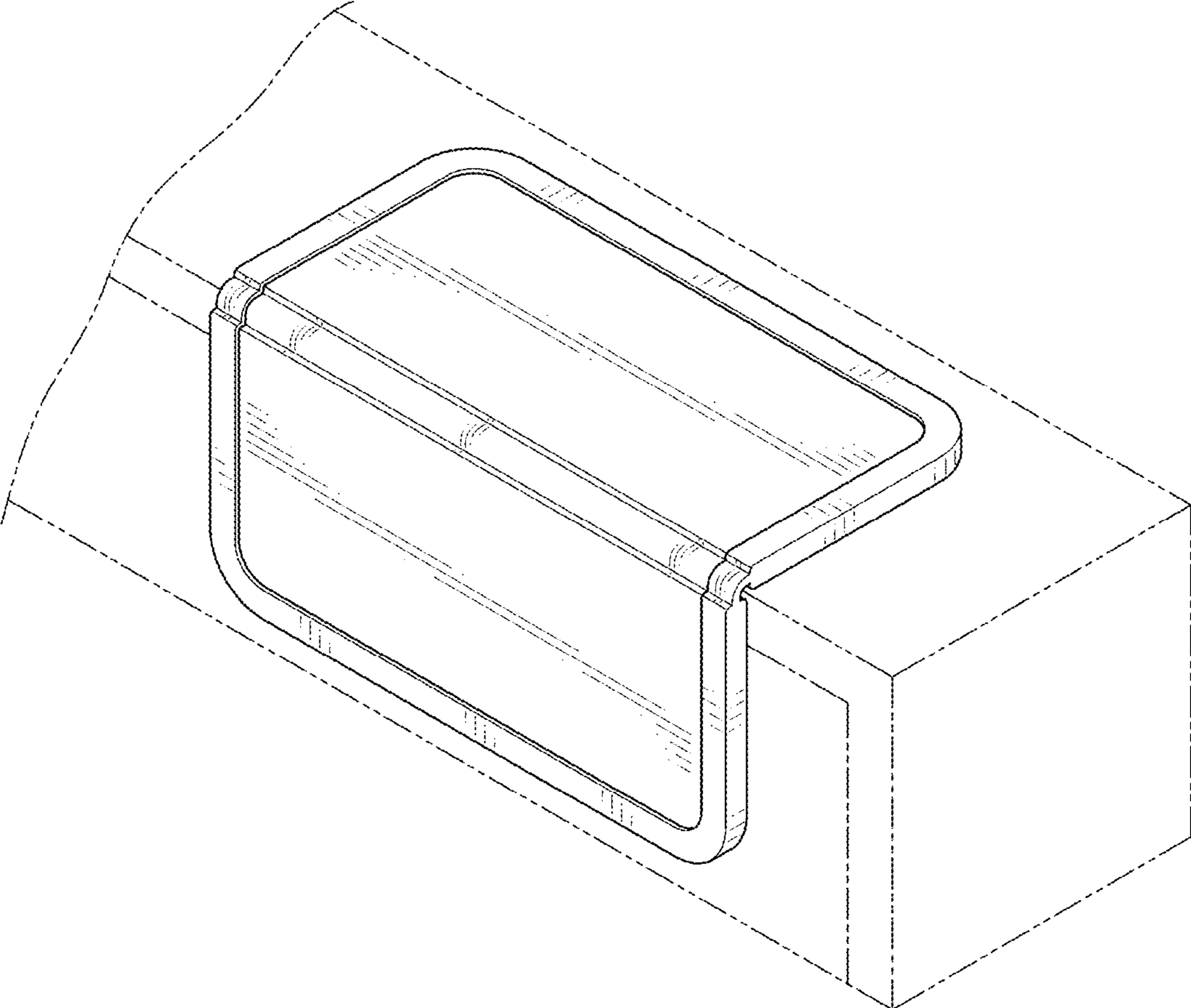


FIG. 8

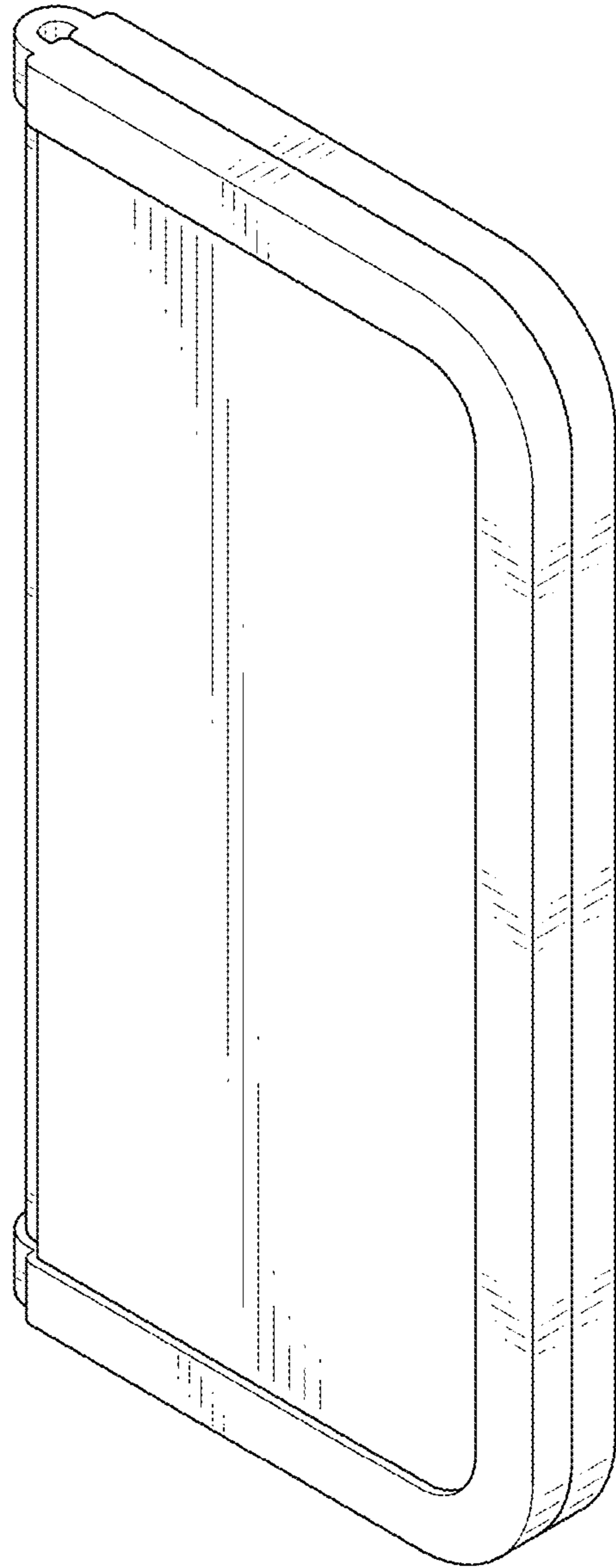


FIG. 9