



US00D948300S

(12) **United States Design Patent** (10) **Patent No.:** **US D948,300 S**
Wang (45) **Date of Patent:** **** Apr. 12, 2022**

(54) **HOT GLUE GUN WITH STAND**
(71) Applicant: **Desheng Wang**, Guangdong (CN)
(72) Inventor: **Desheng Wang**, Guangdong (CN)
(**) Term: **15 Years**

(21) Appl. No.: **29/784,629**
(22) Filed: **May 20, 2021**
(51) **LOC (13) Cl.** **08-05**
(52) **U.S. Cl.**
USPC **D8/30**
(58) **Field of Classification Search**
USPC D8/14.1, 29.1, 29.2, 30, 51, 68
CPC B05C 17/0053; B05C 17/00546; B05C
17/00526; B05C 17/01
See application file for complete search history.

(56) **References Cited**

U.S. PATENT DOCUMENTS

D303,612 S *	9/1989	Knispel	D8/30
D404,622 S *	1/1999	Singleton	D8/29.1
6,105,824 A *	8/2000	Singleton	B05C 17/00546 219/229
D510,243 S *	10/2005	Lee	D8/30
D514,406 S *	2/2006	Lee	D8/30
D535,167 S *	1/2007	Monfeli	D8/30
D541,121 S *	4/2007	Axinte	D8/30
D576,458 S *	9/2008	Arns	D8/30
7,775,403 B2 *	8/2010	Monfeli	B05C 17/00526 248/688
D671,385 S *	11/2012	Yung-Kuan	D8/30
D793,193 S *	8/2017	Lee	D8/30

(Continued)

OTHER PUBLICATIONS

Maxdone Hot Glue Gun, Amazon.com, First available Sep. 3, 2021.*

Primary Examiner — Philip S Hyder

(74) *Attorney, Agent, or Firm* — ScienBiziP, P.C.

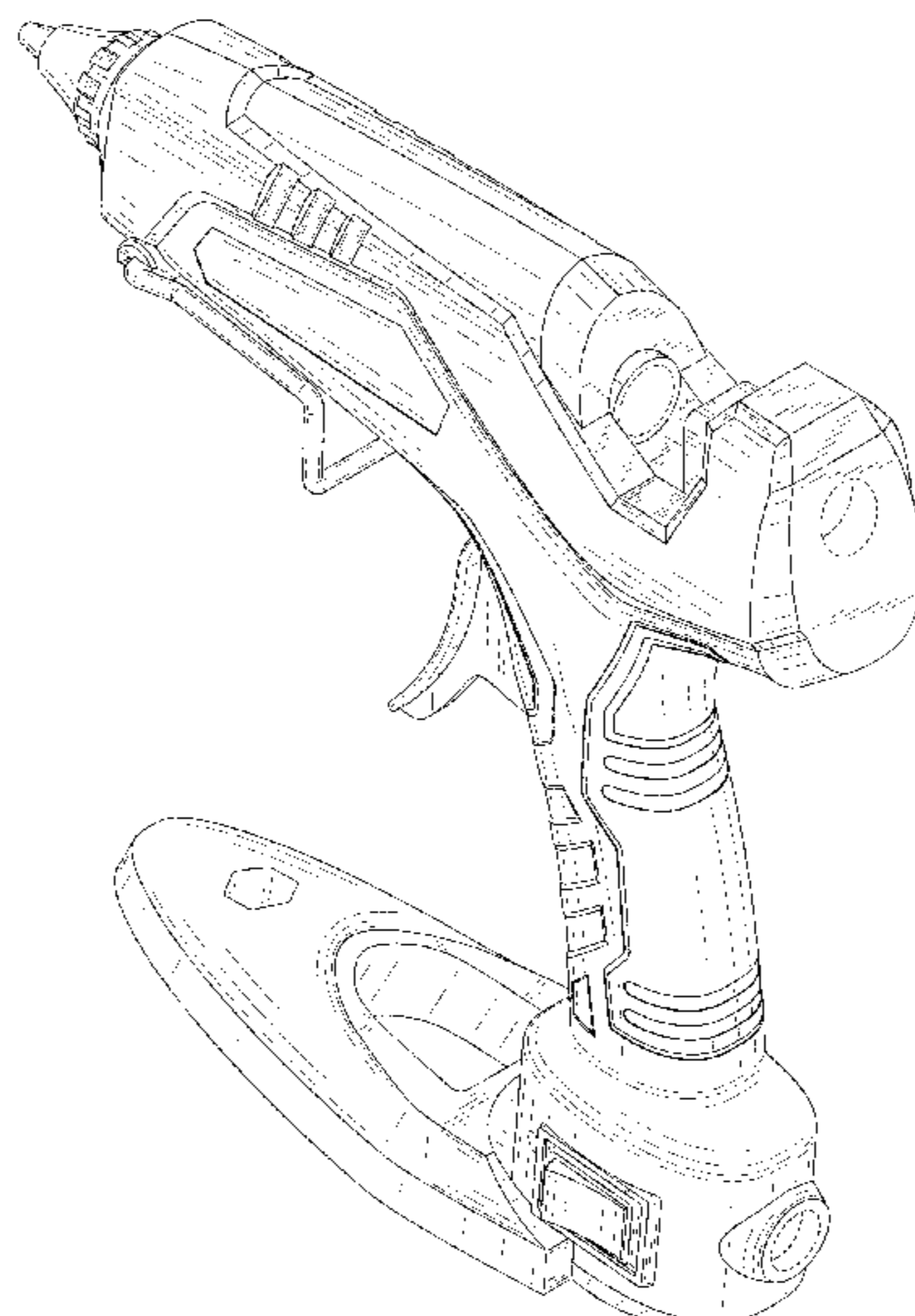
(57) **CLAIM**

The ornamental design for a hot glue gun with stand, as shown and described.

DESCRIPTION

FIG. 1 is a front, right, and top perspective view of a hot glue gun of a hot glue gun with stand, showing my design.
FIG. 2 is a rear, left, and bottom perspective view the hot glue gun of the hot glue gun with stand of FIG. 1.
FIG. 3 is a front elevation view the hot glue gun of the hot glue gun with stand of FIG. 1.
FIG. 4 is a rear elevation view the hot glue gun of the hot glue gun with stand of FIG. 1.
FIG. 5 is a left side elevation view the hot glue gun of the hot glue gun with stand of FIG. 1.
FIG. 6 is a right side elevation view the hot glue gun of the hot glue gun with stand of FIG. 1.
FIG. 7 is a top plan view the hot glue gun of the hot glue gun with stand of FIG. 1.
FIG. 8 is a bottom plan view the hot glue gun of the hot glue gun with stand of FIG. 1.
FIG. 9 is a front, right, and top perspective view of a stand of a hot glue gun with stand, showing my design.
FIG. 10 is a front elevation view the hot glue gun of the hot glue gun with stand of FIG. 9.
FIG. 11 is a left side elevation view the stand of the hot glue gun with stand of FIG. 9.
FIG. 12 is a right side elevation view the stand of the hot glue gun with stand of FIG. 9.
FIG. 13 is a top plan view the stand of the hot glue gun with stand of FIG. 9.
FIG. 14 is a bottom plan view the stand of the hot glue gun with stand of FIG. 9; and,
FIG. 15 is a front, right, and top perspective view of a hot glue gun with stand, wherein a hot glue gun is set into a stand.
The broken lines shown in the drawings are included for the purpose of illustrating portions of the hot glue gun with stand that form no part of the claimed design.

1 Claim, 15 Drawing Sheets



(56)

References Cited

U.S. PATENT DOCUMENTS

D809,884 S * 2/2018 Huang D8/30
9,908,139 B2 * 3/2018 Hsu B05C 17/0052
D870,525 S * 12/2019 Zhang D8/30
D879,568 S * 3/2020 Wang D8/30
D897,796 S * 10/2020 Wang D8/30
2007/0045345 A1 * 3/2007 Monfeli B05C 17/00526
222/173
2017/0080449 A1 * 3/2017 Lee B05C 17/0053
2017/0128977 A1 * 5/2017 Hsu B05C 17/0052

* cited by examiner

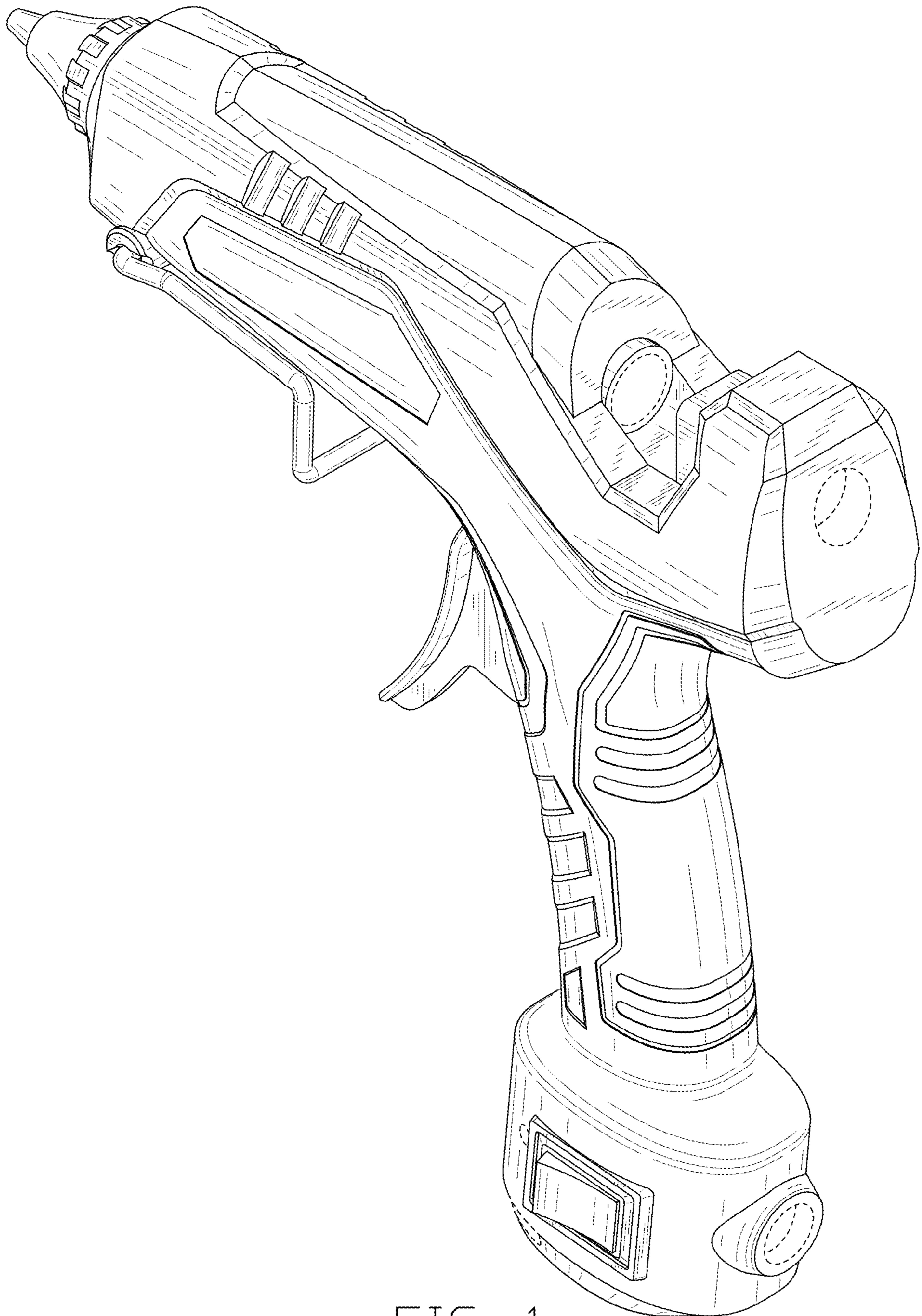


FIG. 1

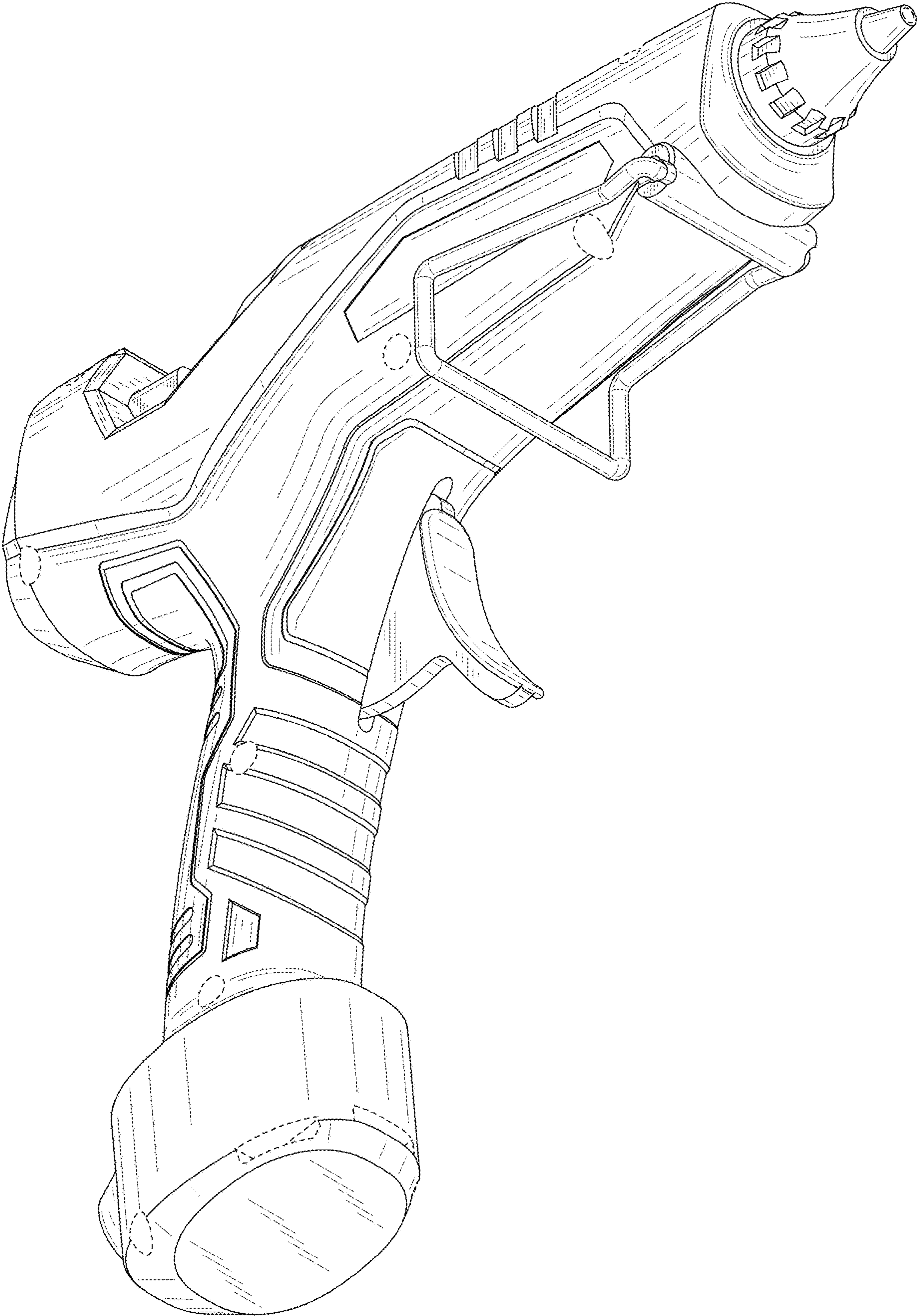


FIG. 2

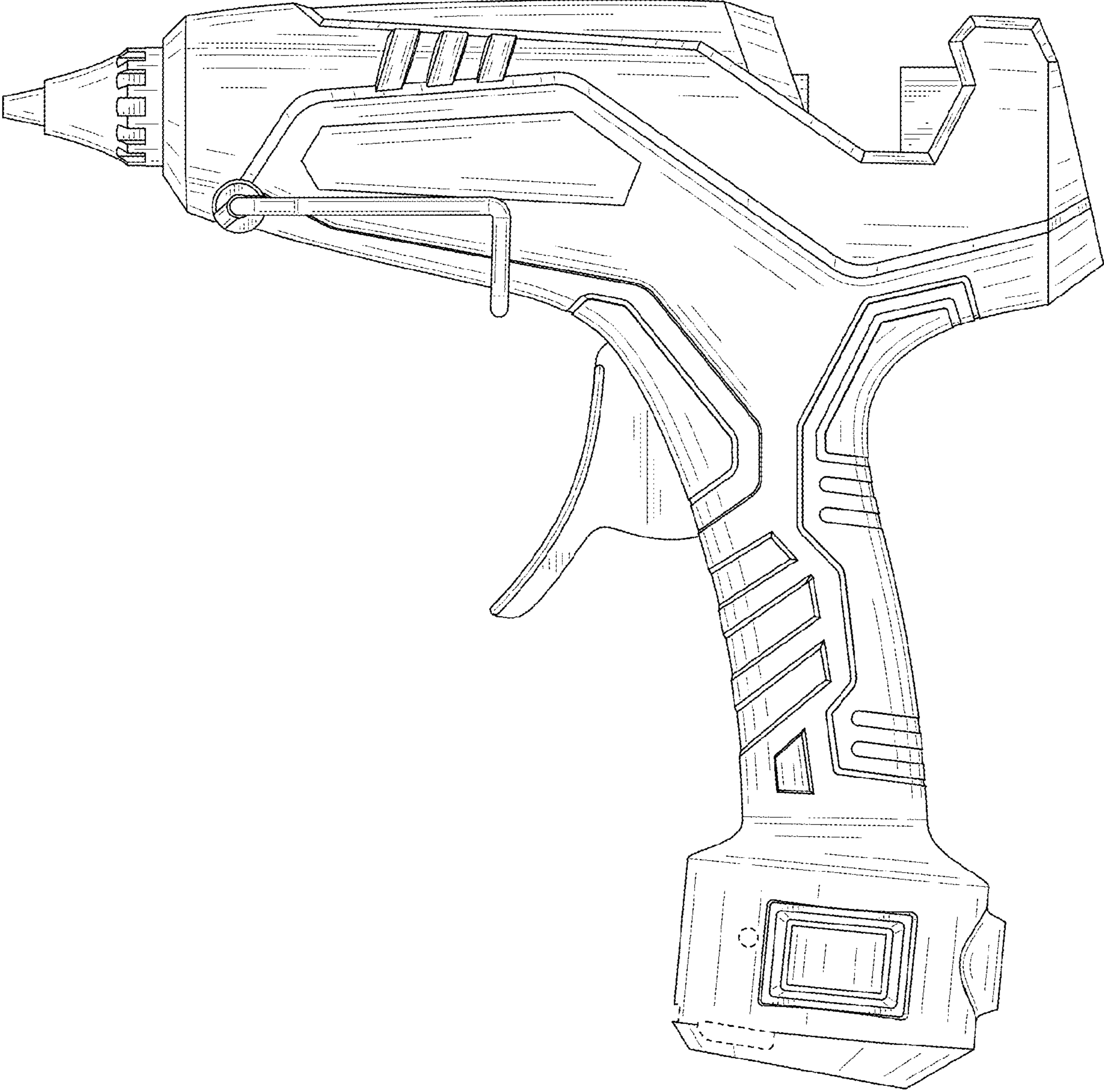


FIG. 3

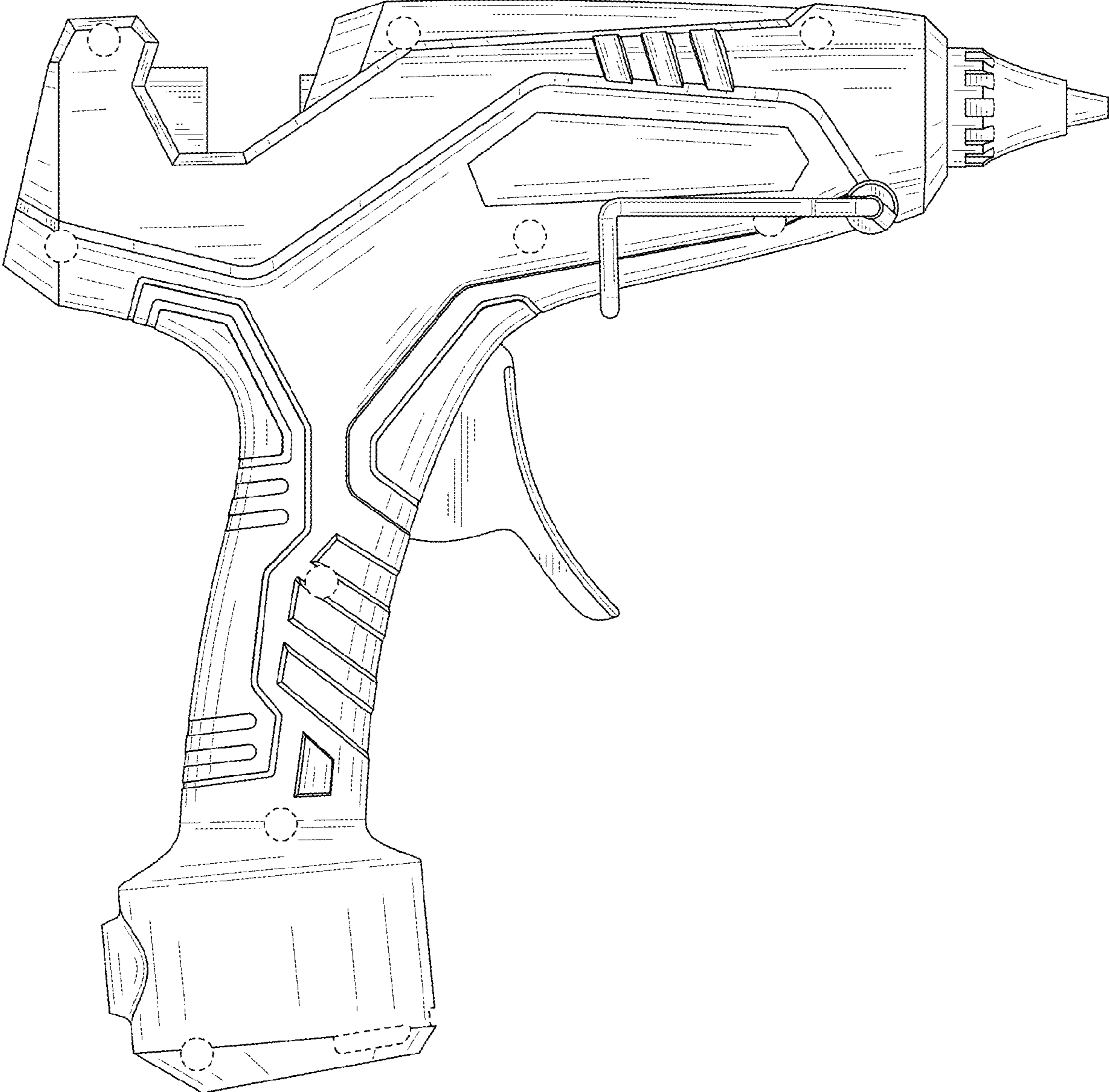


FIG. 4

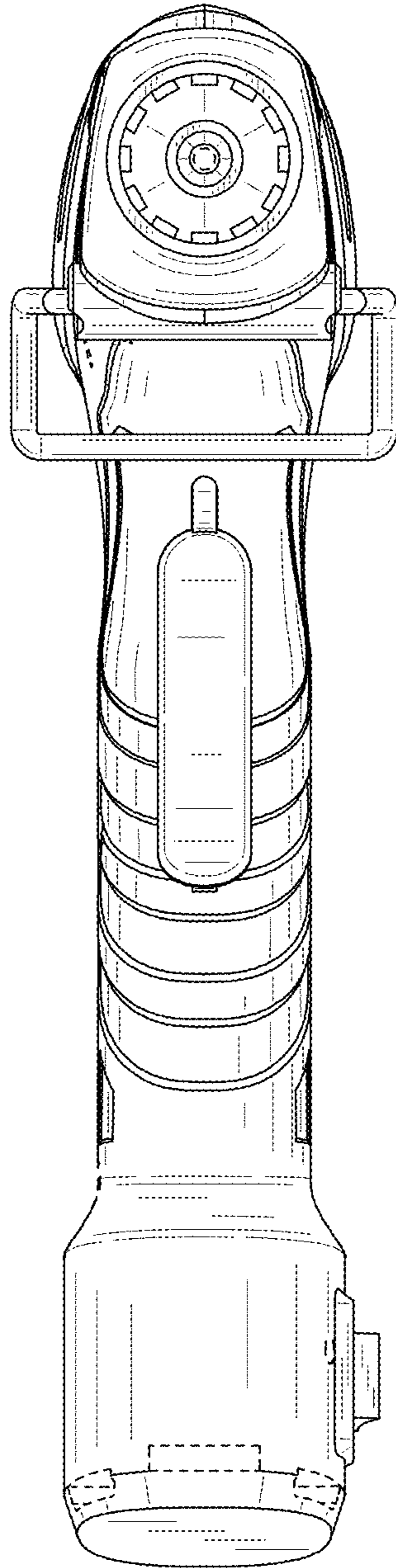


FIG. 5

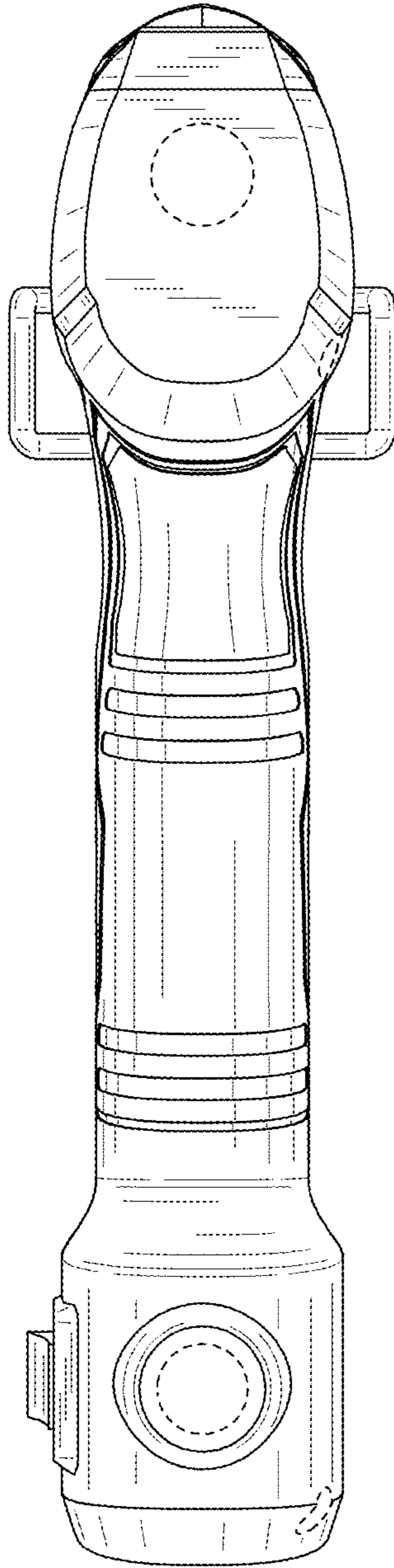


FIG. 6

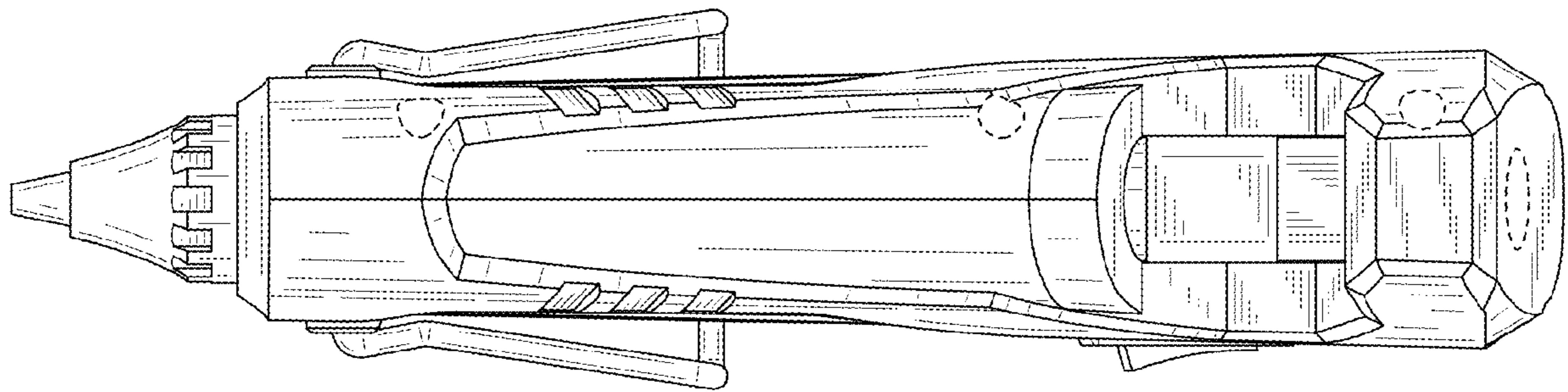


FIG. 7

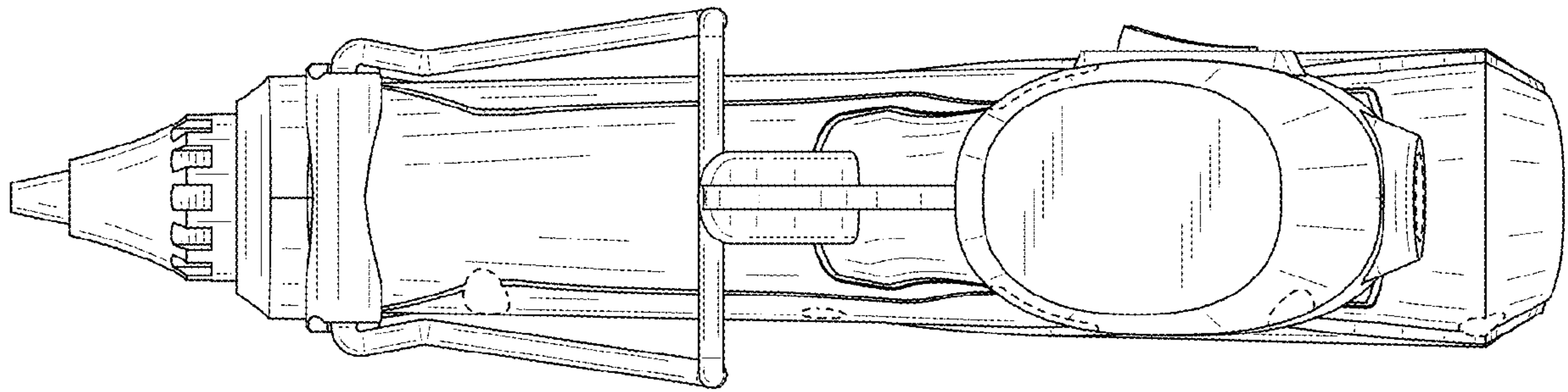


FIG. 8

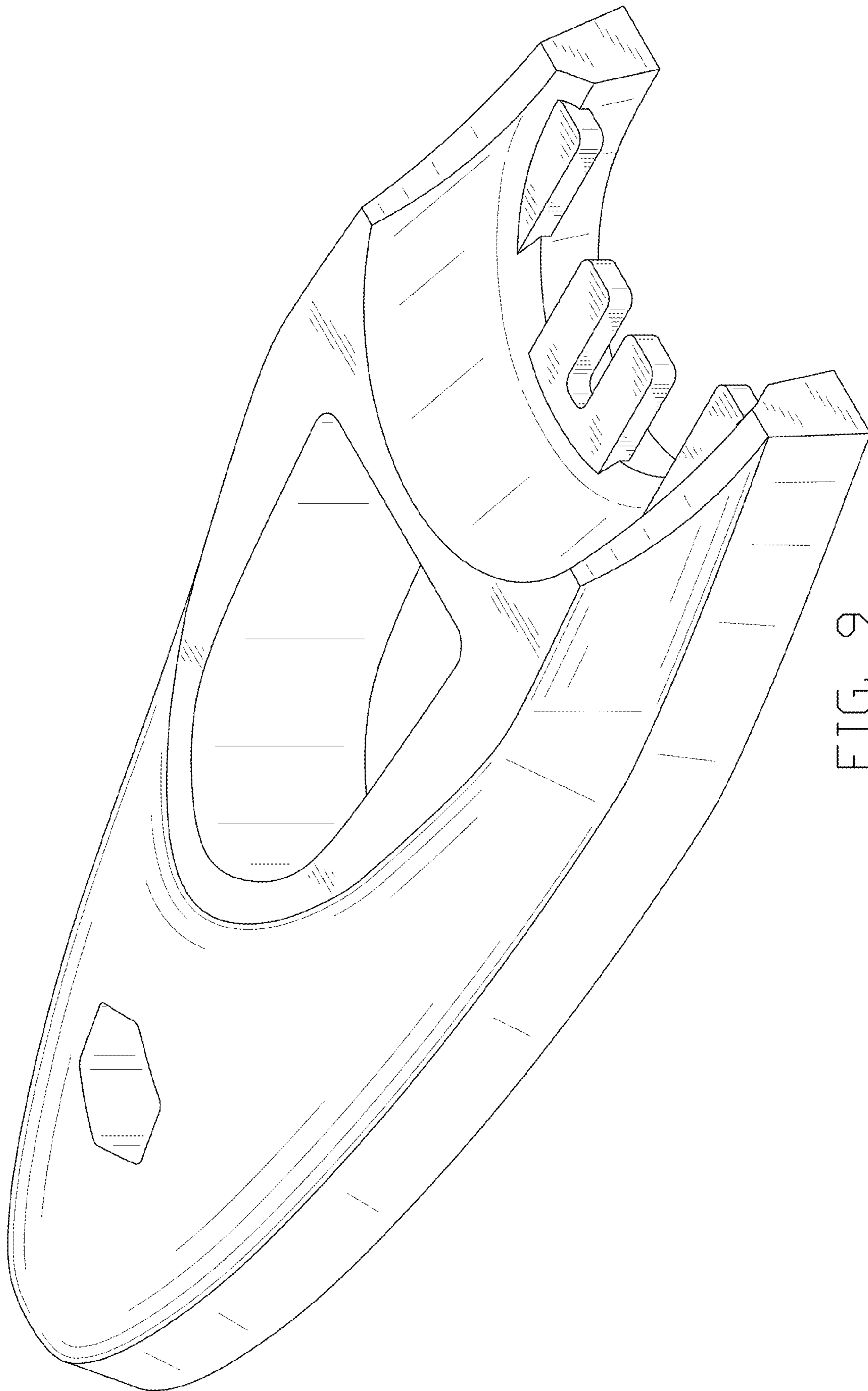


FIG. 9

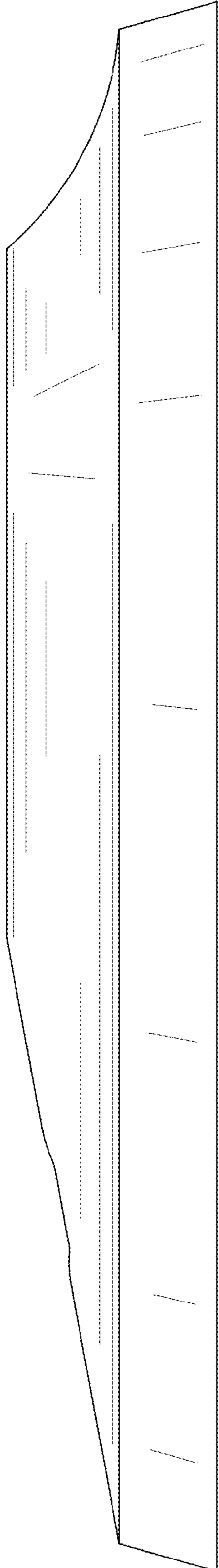


FIG. 10

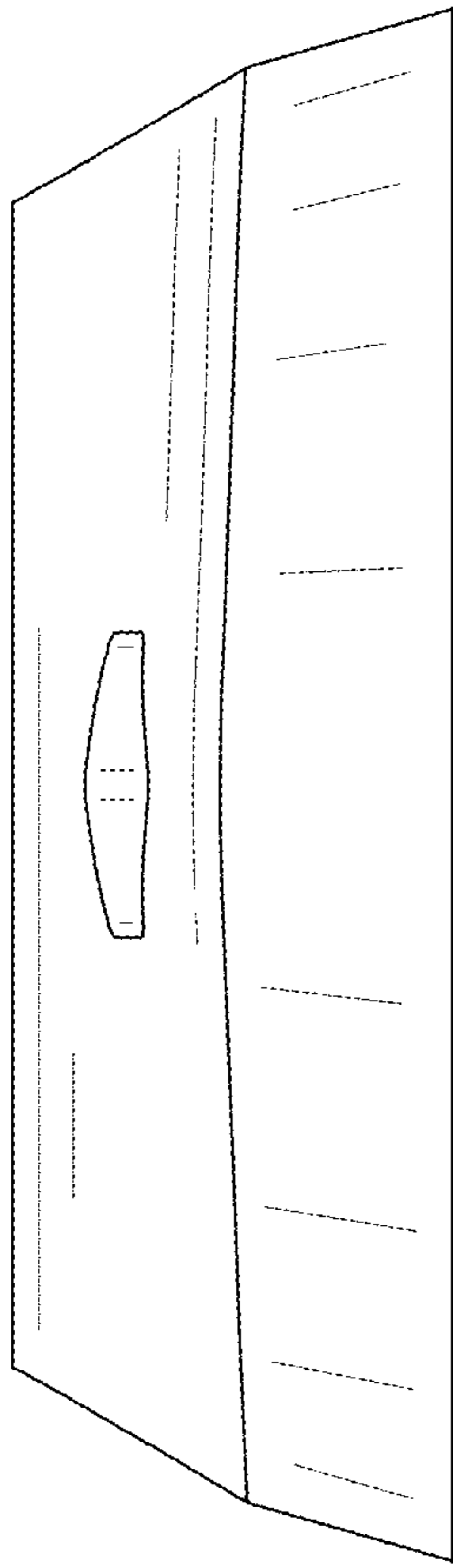


FIG. 11

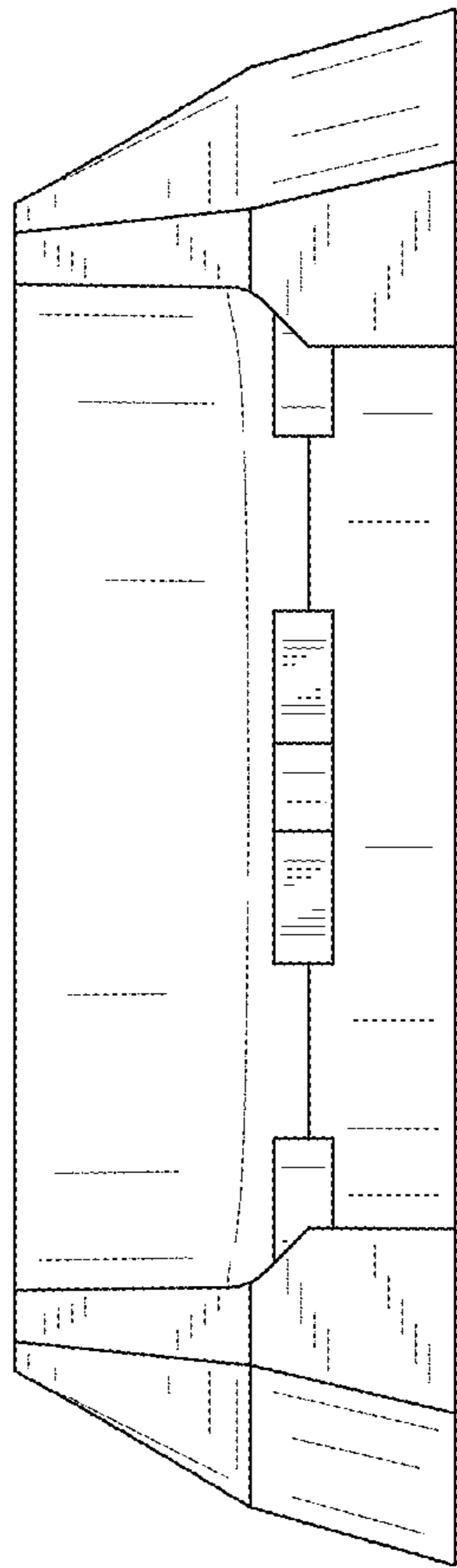


FIG. 12

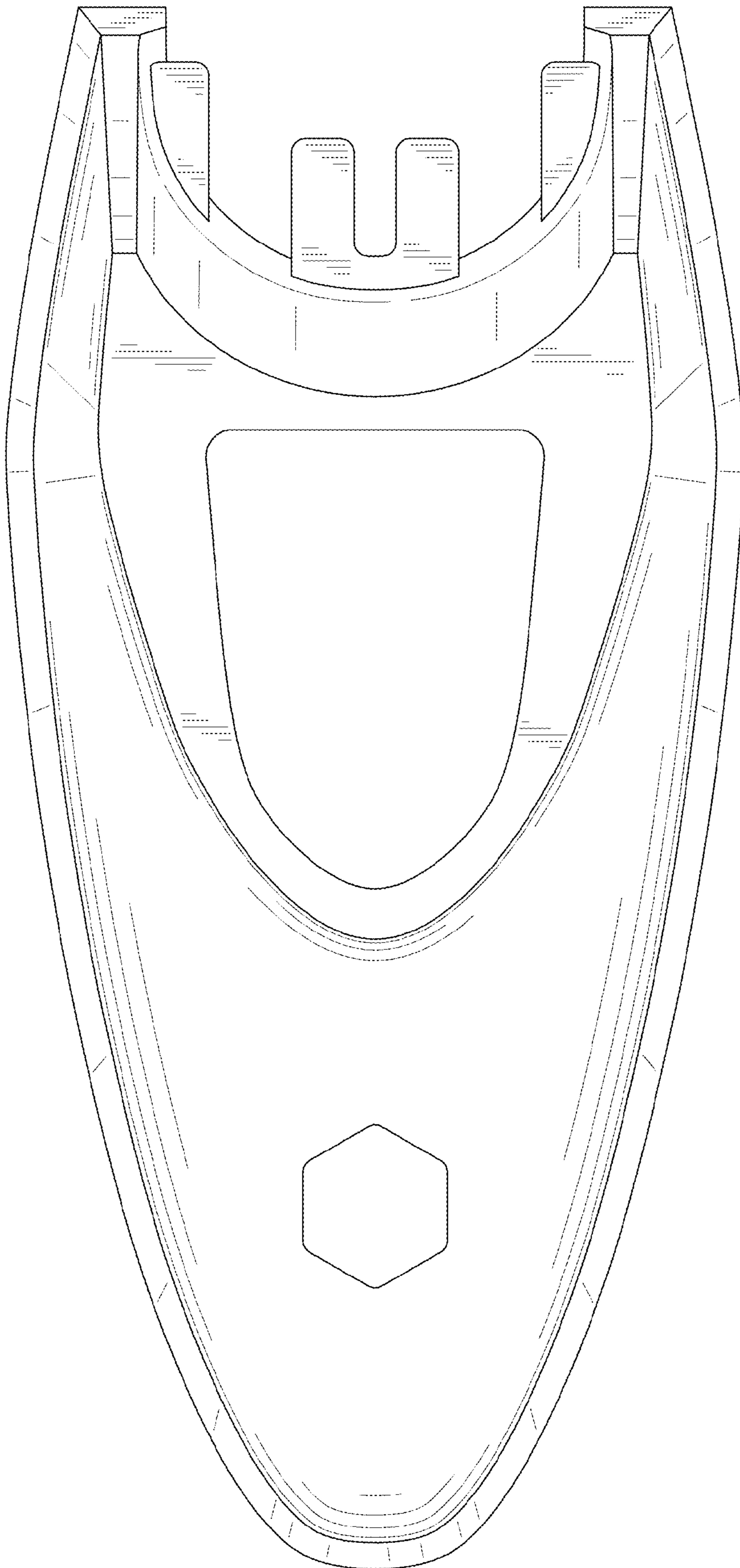


FIG. 13

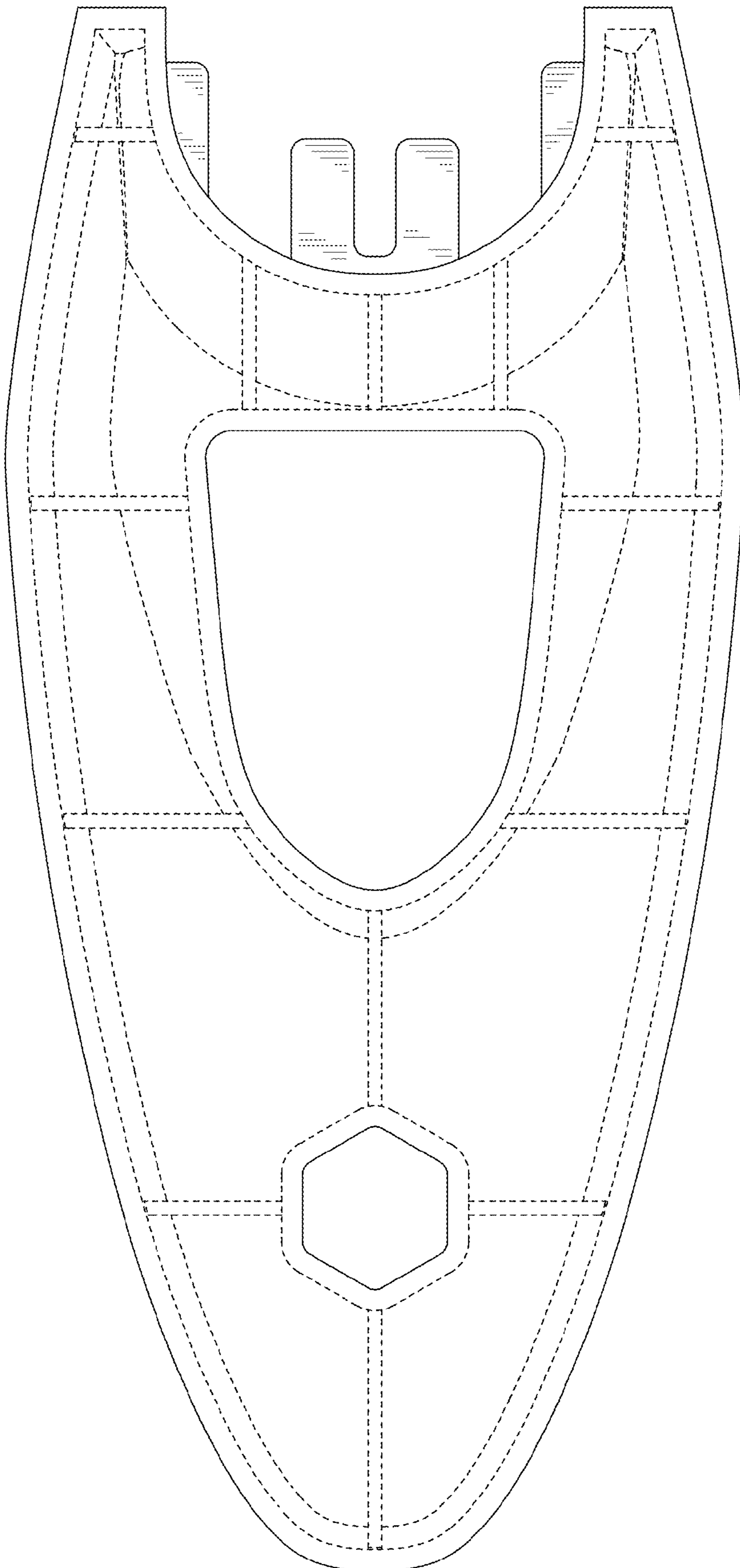


FIG. 14

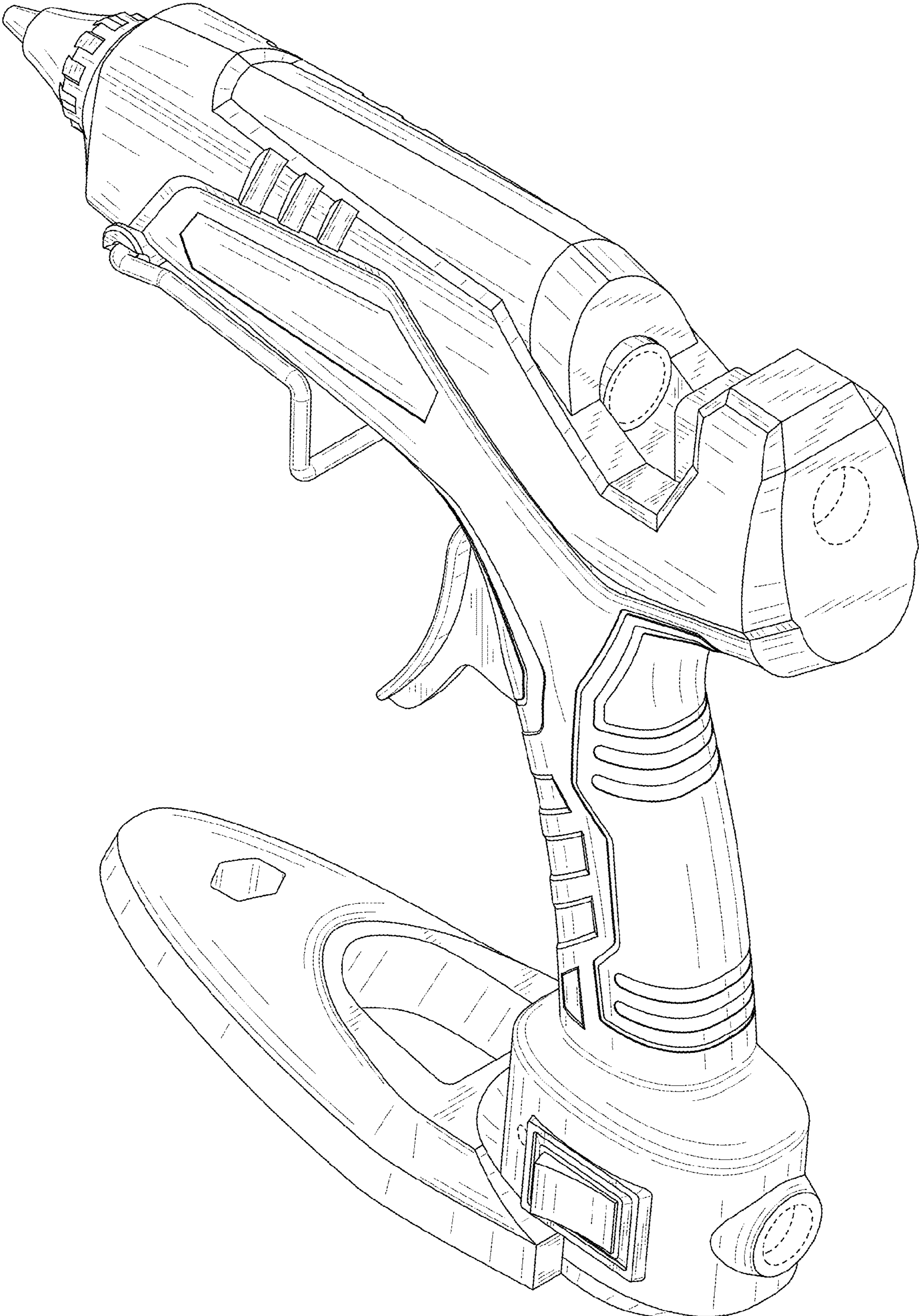


FIG. 15