



US00D948298S

(12) **United States Design Patent** (10) **Patent No.:** **US D948,298 S**
Dedrick (45) **Date of Patent:** **** Apr. 12, 2022**

(54) **SCOOP HOE**
(71) Applicant: **Ted Randall Dedrick**, Encinitas, CA (US)
(72) Inventor: **Ted Randall Dedrick**, Encinitas, CA (US)
(**) Term: **15 Years**
(21) Appl. No.: **29/742,395**
(22) Filed: **Dec. 15, 2020**
(51) **LOC (13) Cl.** **08-01**
(52) **U.S. Cl.**
USPC **D8/10**
(58) **Field of Classification Search**
USPC D8/10, 11; D30/162; D32/46, 74; D7/691, 550.1
CPC E01H 5/02; E01H 5/00; E02F 3/02; E04D 13/106; A01D 7/04; A01B 1/08; A01B 1/06; B25G 1/04; B25G 3/38
See application file for complete search history.

D216,863 S * 3/1970 Landreville D8/10
D266,899 S * 11/1982 Moore D8/10
D283,196 S * 4/1986 Hasse 111/106
D284,732 S * 7/1986 Hozumi D8/10
5,076,627 A * 12/1991 Simon A01K 1/0114
294/1.3
D339,437 S * 9/1993 Hinderer D32/74
5,367,737 A * 11/1994 Vosbikian A47L 13/52
15/144.1
D355,819 S * 2/1995 Price D8/10
D363,862 S * 11/1995 Lusignan 294/49
5,473,790 A * 12/1995 Desmarais A47L 13/52
15/257.7
D412,429 S * 8/1999 Toft D8/10
D422,389 S * 4/2000 Gay D32/74
6,203,081 B1 * 3/2001 Kegan, Sr. A01B 1/028
254/131.5
D481,918 S * 11/2003 Atnip D8/10
D487,680 S * 3/2004 Sickler D8/10
7,025,397 B2 * 4/2006 Simone E04D 15/02
81/45

(Continued)

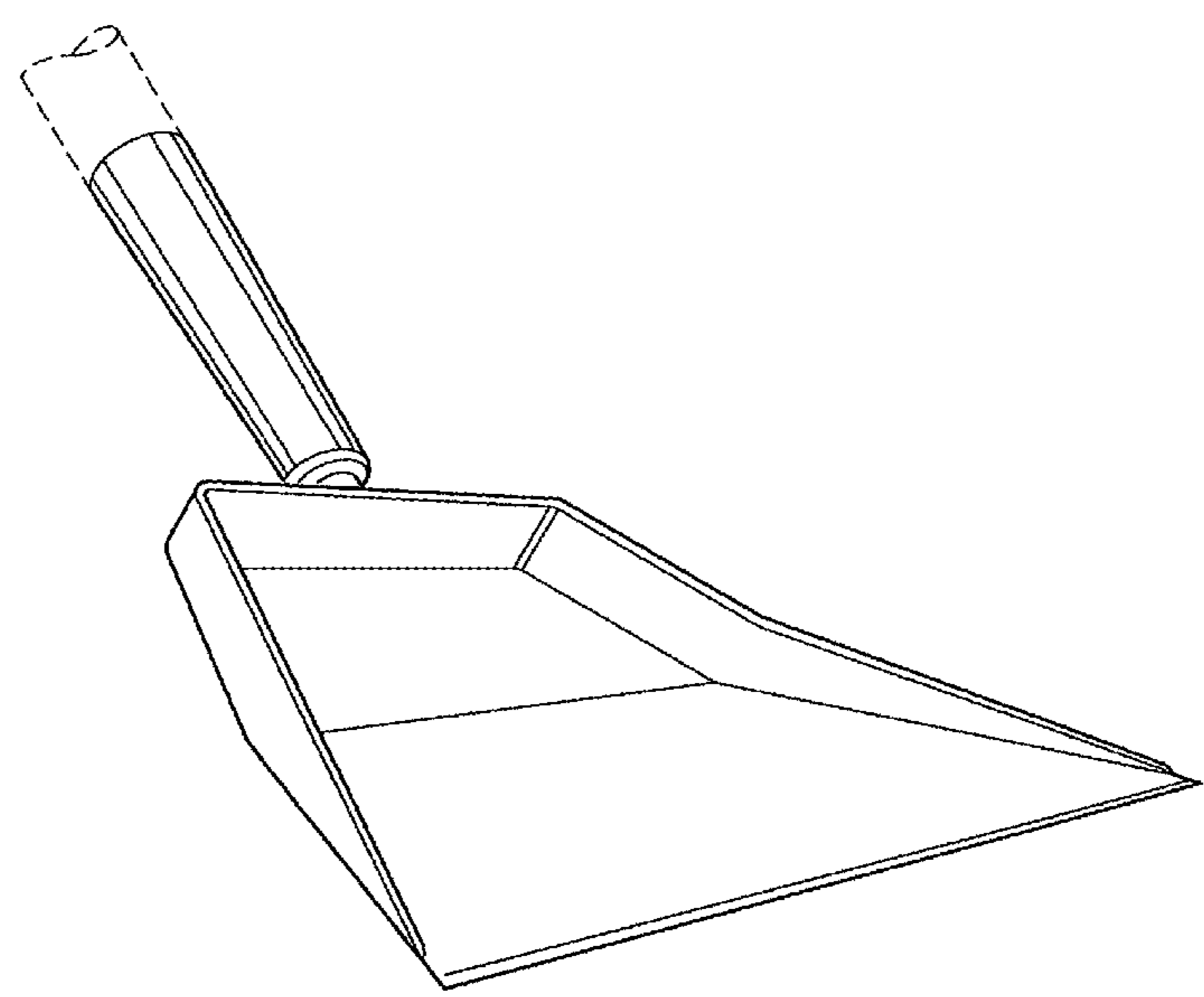
Primary Examiner — Sheryl Lane
Assistant Examiner — Ieisha N Price

(56) **References Cited**
U.S. PATENT DOCUMENTS
511,670 A * 12/1893 Ames E01H 5/02
294/54.5
701,805 A * 6/1902 Ellison A01B 1/022
294/51
1,281,483 A * 10/1918 Bauer F16B 5/12
403/199
1,312,766 A * 8/1919 Surbaugh A01B 1/02
403/244
D54,891 S * 4/1920 Brule D32/74
1,898,234 A * 2/1933 Anderson E01H 5/02
294/54.5
D134,408 S * 11/1942 de Waltoff D8/7
2,887,337 A * 5/1959 Begue A01G 20/30
294/181
2,987,749 A * 6/1961 Gortner A47L 13/52
15/257.7

(57) **CLAIM**
The ornamental design for a scoop hoe, as shown and described.

DESCRIPTION
FIG. 1 is a top perspective view thereof;
FIG. 2 is a top plan view thereof;
FIG. 3 is a front elevational view thereof;
FIG. 4 is a left side elevational view thereof, the right side elevational view being a mirror image thereof;
FIG. 5 is a back elevational view thereof; and,
FIG. 6 is a bottom plan view thereof.
The broken lines in the drawings depict portions of the scoop hoe that form no part of the claimed design.

1 Claim, 2 Drawing Sheets



(56)

References Cited

U.S. PATENT DOCUMENTS

D543,426 S * 5/2007 Donaldson D8/10
D565,366 S * 4/2008 Buscher D8/10
7,673,401 B1 * 3/2010 Muti E01H 5/02
37/265
D676,724 S * 2/2013 Kessler D8/10
D720,909 S * 1/2015 Vasilakes D32/74
D780,542 S * 3/2017 Rojas D8/10
D795,520 S * 8/2017 La Selva D32/74
D841,415 S * 2/2019 French D8/10
D867,835 S * 11/2019 Roberts D8/10
D878,881 S * 3/2020 Jastrow D8/10
2006/0214443 A1 * 9/2006 Dixon E01H 5/02
294/54.5
2011/0198875 A1 * 8/2011 Smith E01H 5/02
294/54.5

* cited by examiner

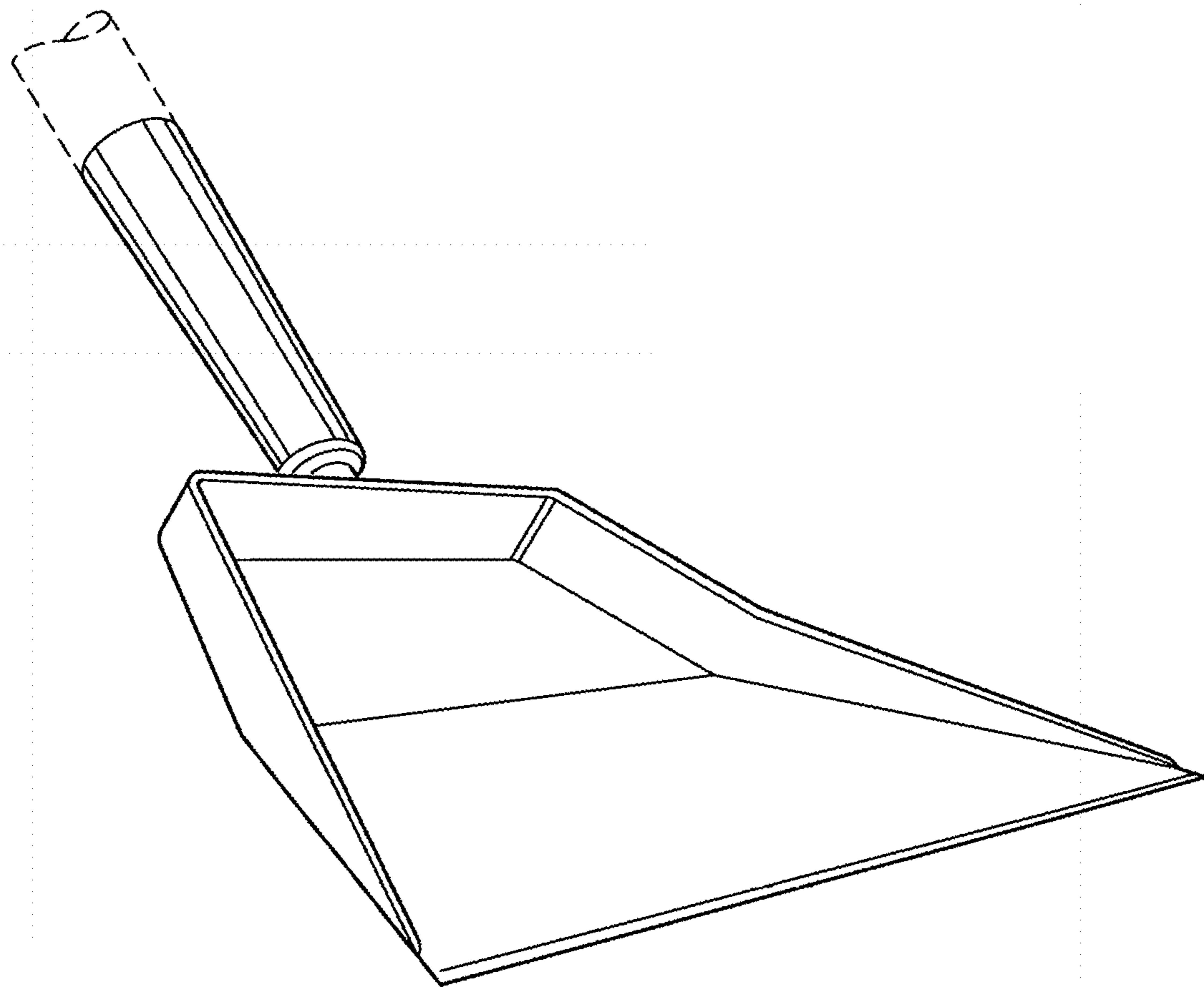


FIG. 1

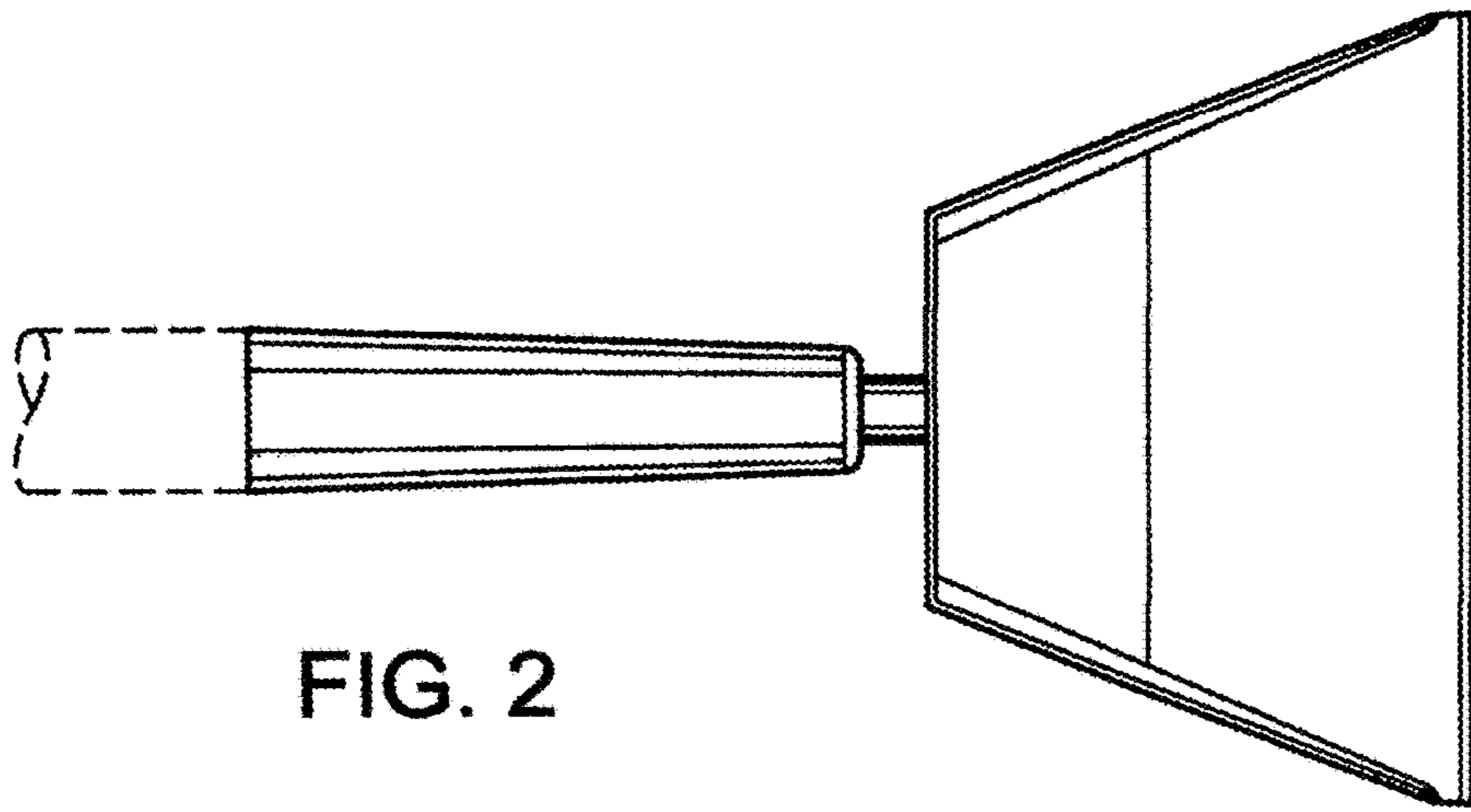


FIG. 2

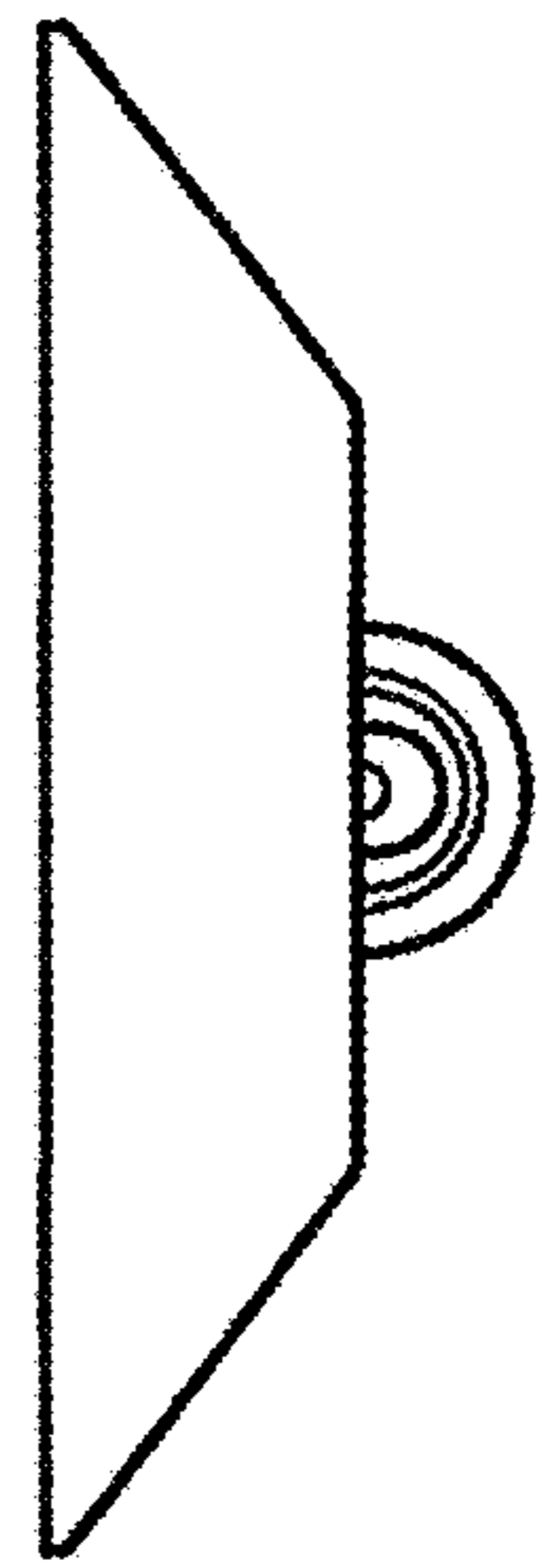


FIG. 3

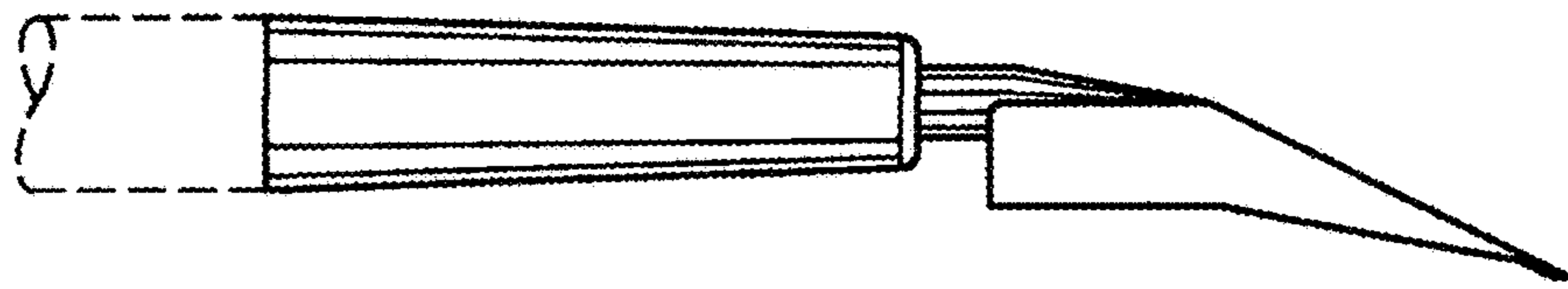


FIG. 4

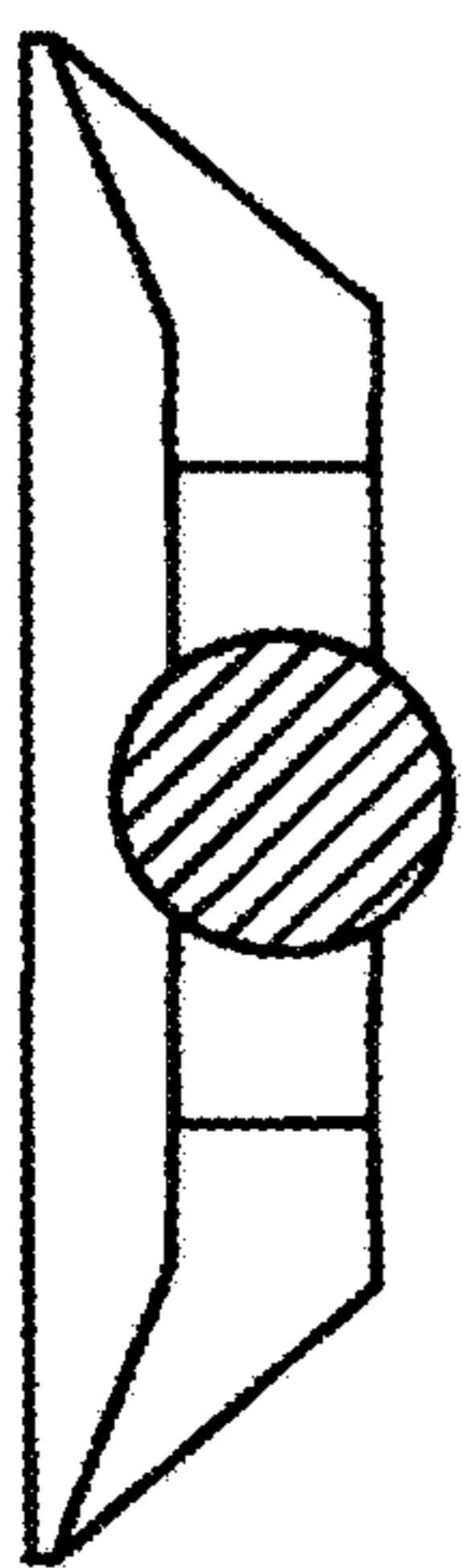


FIG. 5

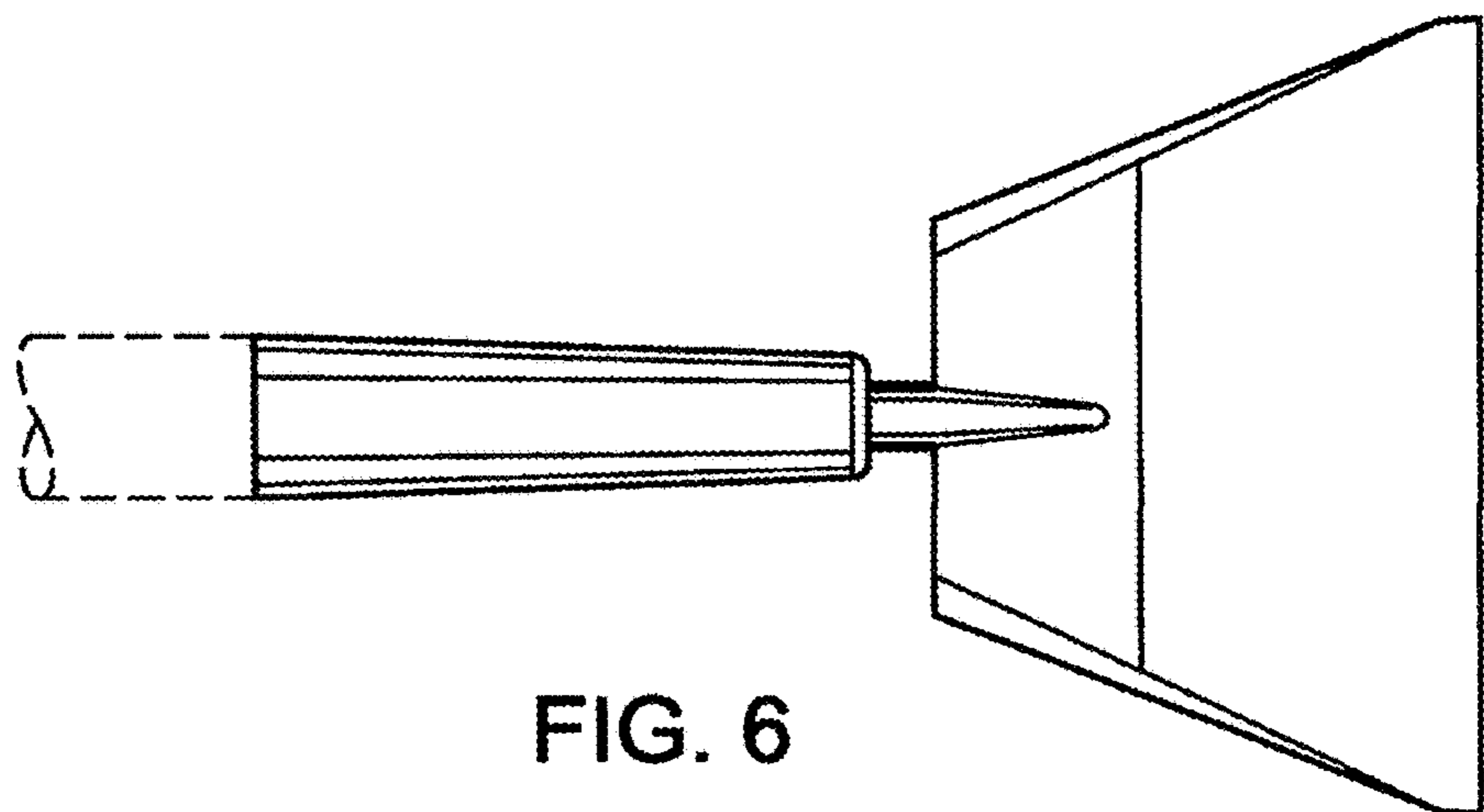


FIG. 6