



US00D948297S

(12) **United States Design Patent**
Huang

(10) **Patent No.:** **US D948,297 S**
(45) **Date of Patent:** **** Apr. 12, 2022**

(54) **ROTATING BYPASS PRUNING SHEAR WITH GUARD HANDLE**

(71) Applicant: **Foshan Shunde Caiting Trade Co., Ltd.**, Guangdong (CN)

(72) Inventor: **Runbo Huang**, Guangdong (CN)

(73) Assignee: **Foshan Shunde Caiting Trade Co., Ltd.**, Foshan (CN)

(**) Term: **15 Years**

(21) Appl. No.: **29/721,712**

(22) Filed: **Jan. 22, 2020**

(51) **LOC (13) Cl.** **08-03**

(52) **U.S. Cl.**
USPC **D8/5**

(58) **Field of Classification Search**
USPC D8/4, 5, 7, 51, 52, 57
CPC A01G 2003/005; A01G 2/35; A01G 3/02;
A01G 3/065; A01G 3/021; A01G
2003/023; B26B 13/26; B26B 13/28;
B26B 13/285; B26B 13/16; B25B 7/14
See application file for complete search history.

(56) **References Cited**

U.S. PATENT DOCUMENTS

1,453,603	A *	5/1923	Redman	A01G 3/02	30/261
D275,645	S *	9/1984	Ishida	D8/5	
D307,696	S *	5/1990	Ishida	D8/5	
D317,390	S *	6/1991	Igarashi	D8/4	
5,787,589	A *	8/1998	Auderset	A01G 3/02	30/261
6,260,277	B1 *	7/2001	Wu	A01G 3/02	30/232
D451,354	S *	12/2001	Liu	D8/5	

D453,458	S *	2/2002	Huang	D8/57	
D455,938	S *	4/2002	Wu	D8/5	
6,393,703	B1 *	5/2002	Wu	A01G 3/02	30/232
D470,732	S *	2/2003	Wu	D8/5	
6,643,937	B1 *	11/2003	Wu	A01G 3/02	30/261
7,178,245	B1 *	2/2007	Lee	A01G 3/02	30/254
D545,646	S *	7/2007	Shan	D8/5	
D547,139	S *	7/2007	Shan	D8/5	
D548,555	S *	8/2007	Brady	D8/52	
D630,067	S *	1/2011	Block	D8/5	
D680,829	S *	4/2013	Nelson	D8/5	
D755,599	S *	5/2016	Payne	D8/57	
D777,003	S *	1/2017	Roberts	D8/57	
D790,935	S *	7/2017	Wu	D8/5	
D873,631	S *	1/2020	Hsu	D8/5	
2002/0046466	A1 *	4/2002	Deville	A01G 3/02	30/270

(Continued)

Primary Examiner — Sandra Snapp
Assistant Examiner — Ieisha N Price

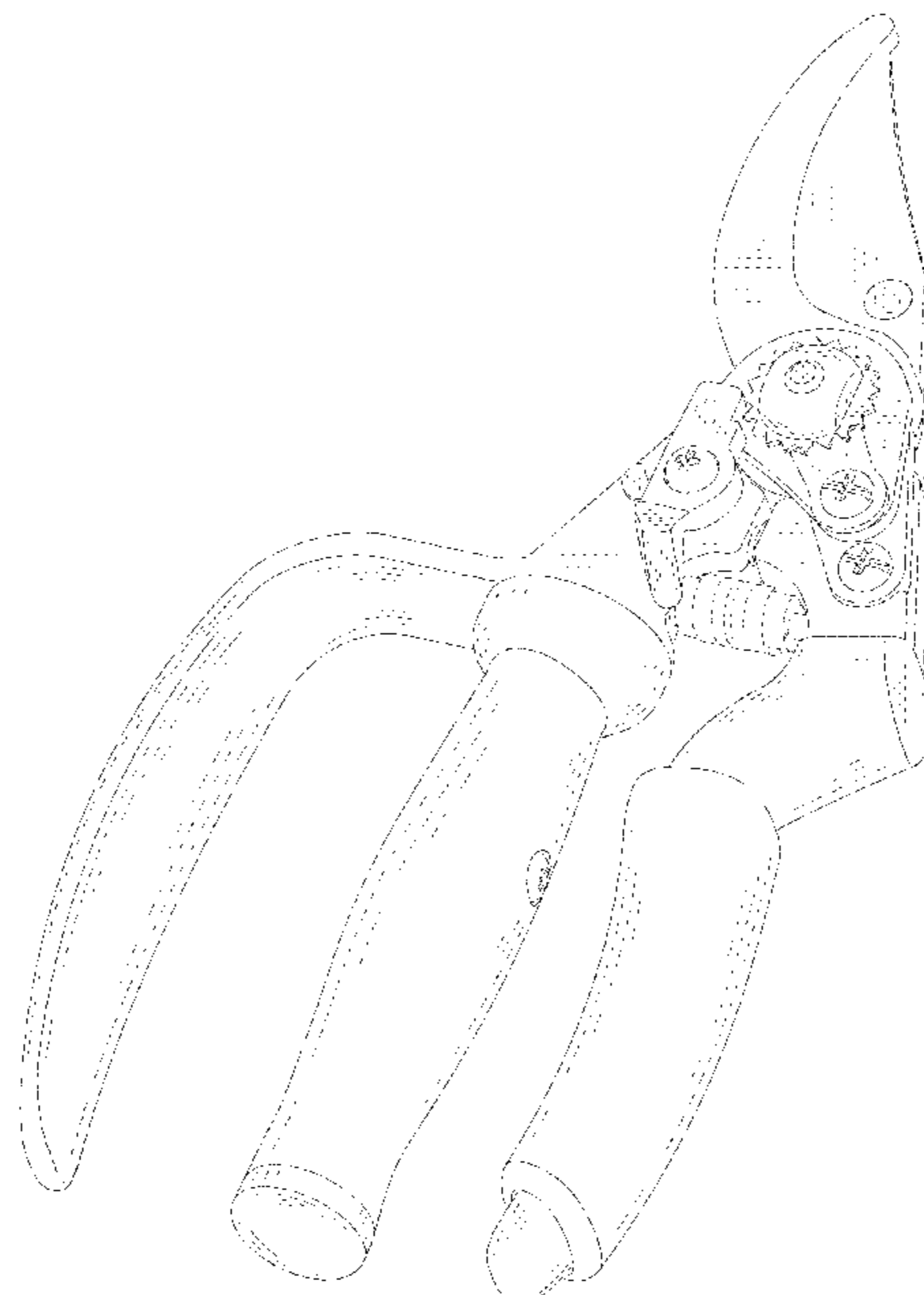
(57) **CLAIM**

The ornamental design for a rotating bypass pruning shear with guard handle, as shown and described.

DESCRIPTION

FIG. 1 is a perspective view of a rotating bypass pruning shear with guard handle showing my new design;
FIG. 2 is a front view thereof;
FIG. 3 is a back view thereof;
FIG. 4 is a left side view thereof;
FIG. 5 is a right side view thereof;
FIG. 6 is a top view thereof; and,
FIG. 7 is a bottom view thereof.
The broken lines in the drawing depict environmental subject matter only and form no part of the claimed design.

1 Claim, 7 Drawing Sheets



(56)

References Cited

U.S. PATENT DOCUMENTS

2002/0066188 A1* 6/2002 Wu A01G 3/02
30/250
2008/0301951 A1* 12/2008 Lai A01G 3/02
30/254
2009/0090010 A1* 4/2009 Lin B26B 29/04
30/254
2011/0283545 A1* 11/2011 Wu B26B 13/22
30/250
2012/0017445 A1* 1/2012 Huang A01G 3/02
30/192
2012/0047745 A1* 3/2012 Wu A01G 3/02
30/146
2012/0198705 A1* 8/2012 Huang A01G 3/02
30/244
2013/0091713 A1* 4/2013 Wu A01G 3/02
30/254
2015/0040407 A1* 2/2015 Lin A01G 3/02
30/312
2016/0183475 A1* 6/2016 Wu A01G 3/021
30/250
2017/0245439 A1* 8/2017 Nelson A01G 3/02
2018/0009100 A1* 1/2018 Saito B25G 3/04
2019/0159405 A1* 5/2019 Jacques A01G 3/0251

* cited by examiner

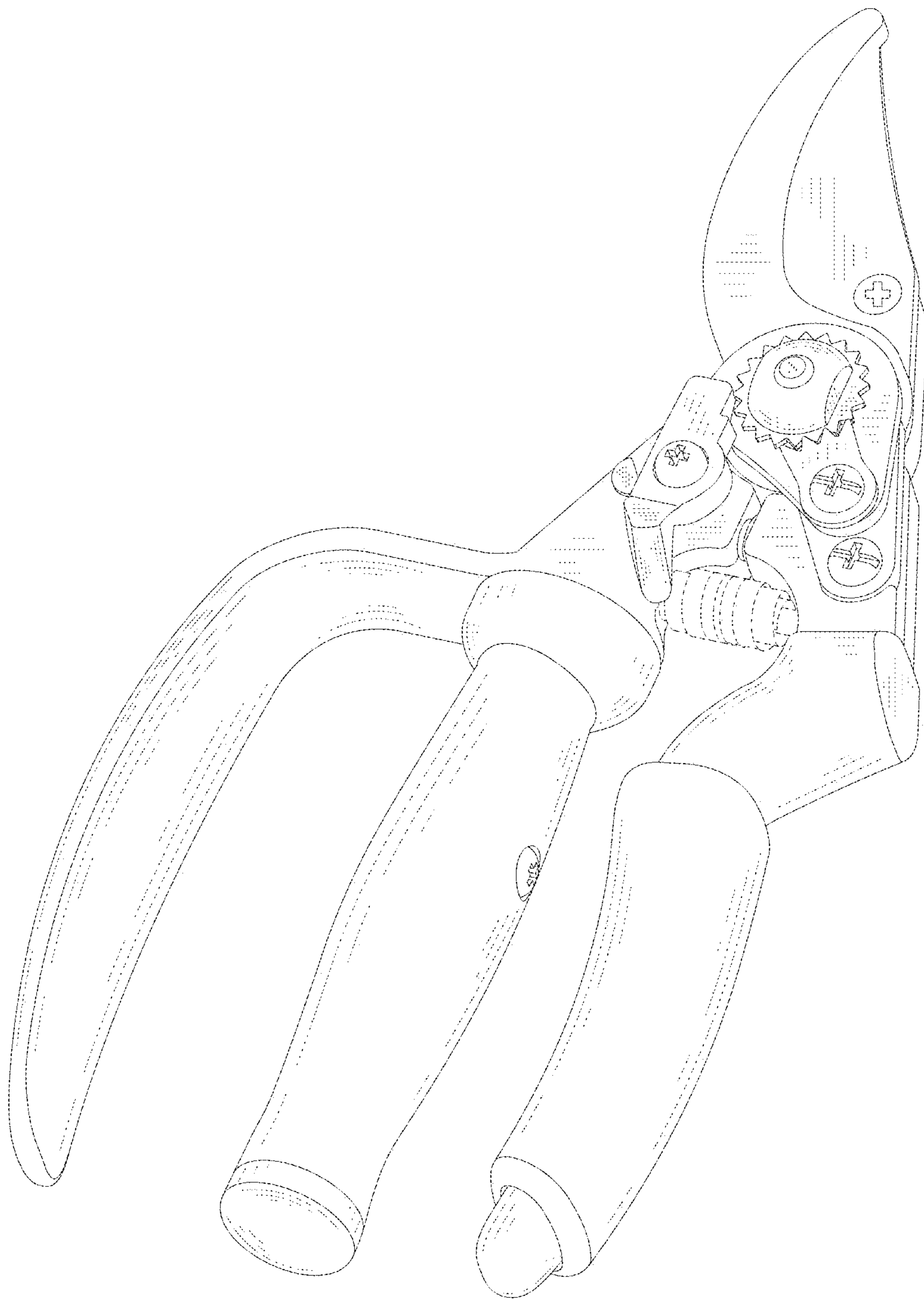


FIG. 1

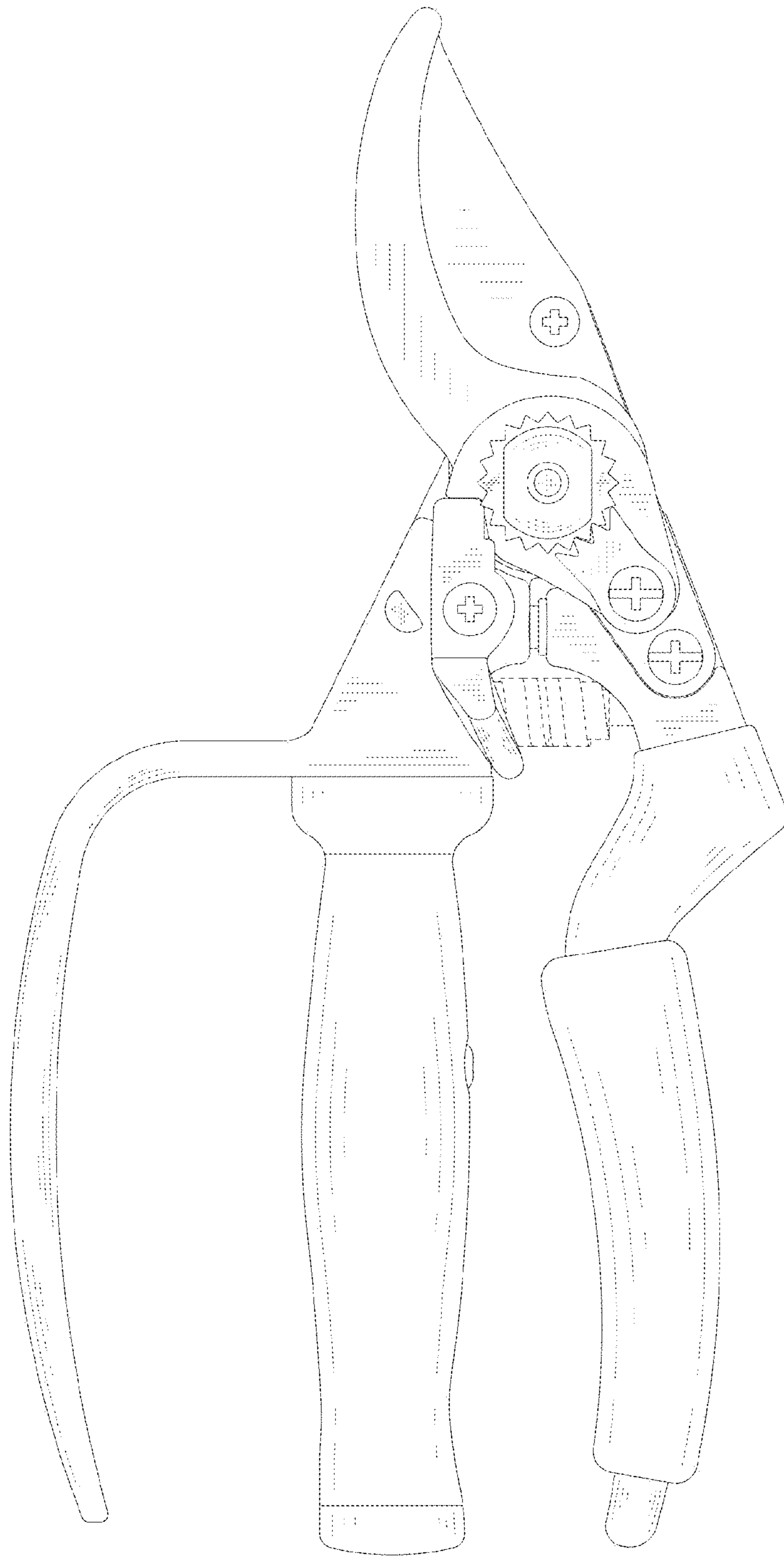


FIG. 2

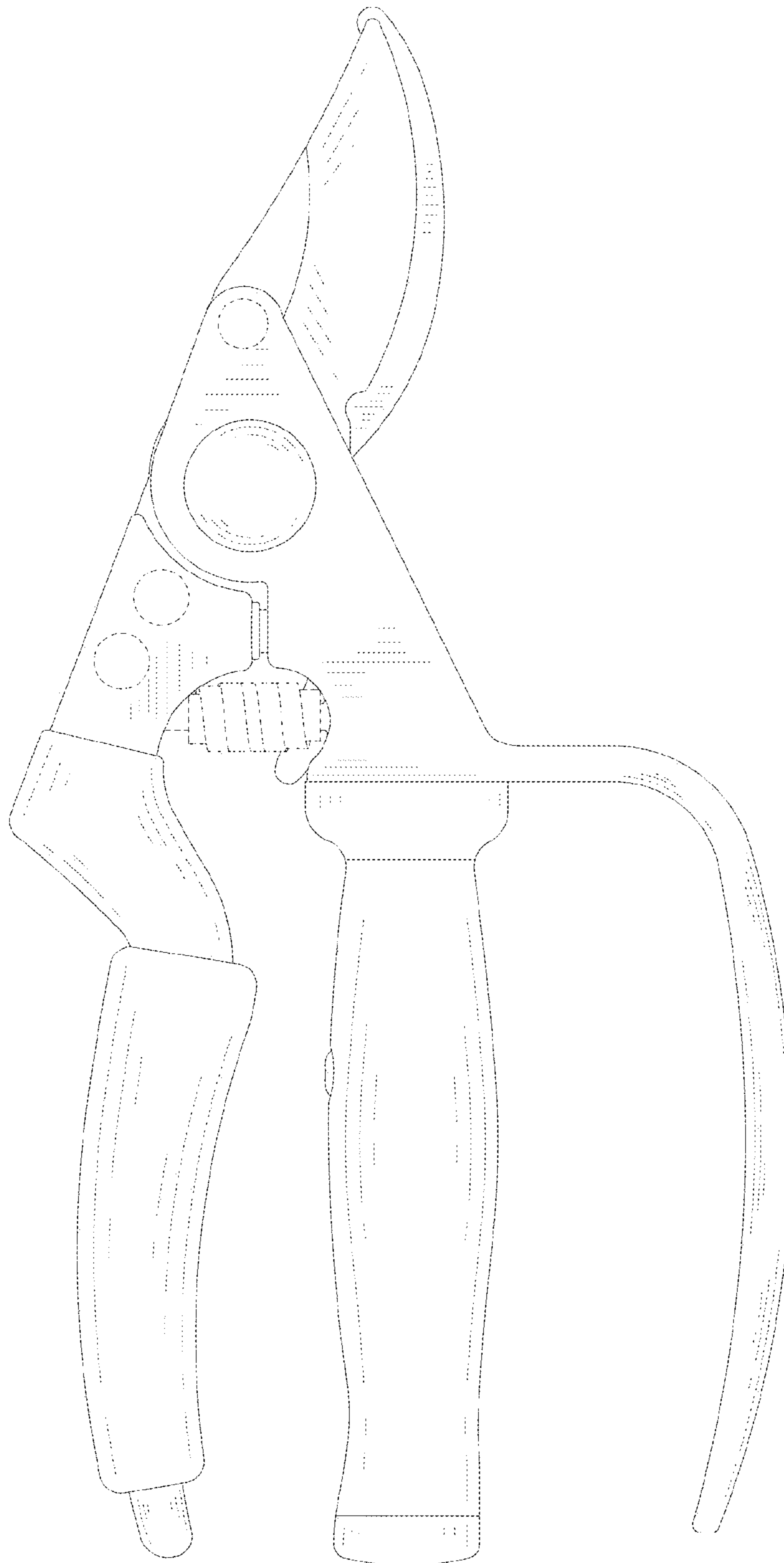


FIG. 3

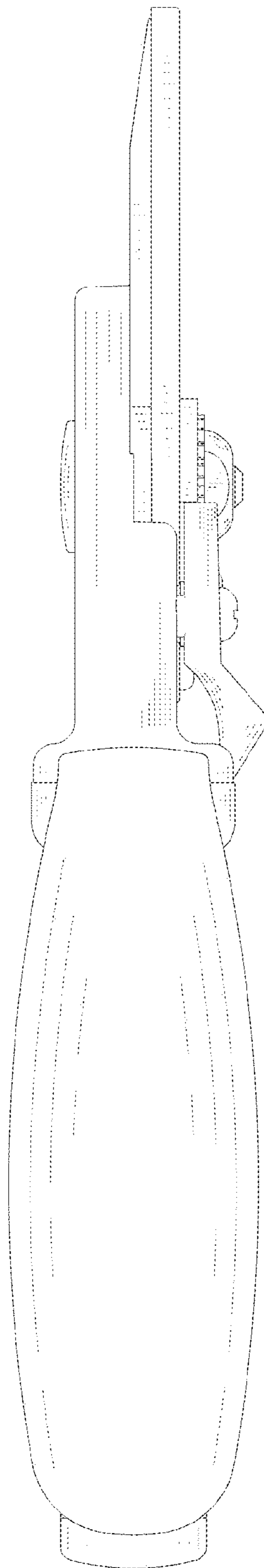


FIG. 4

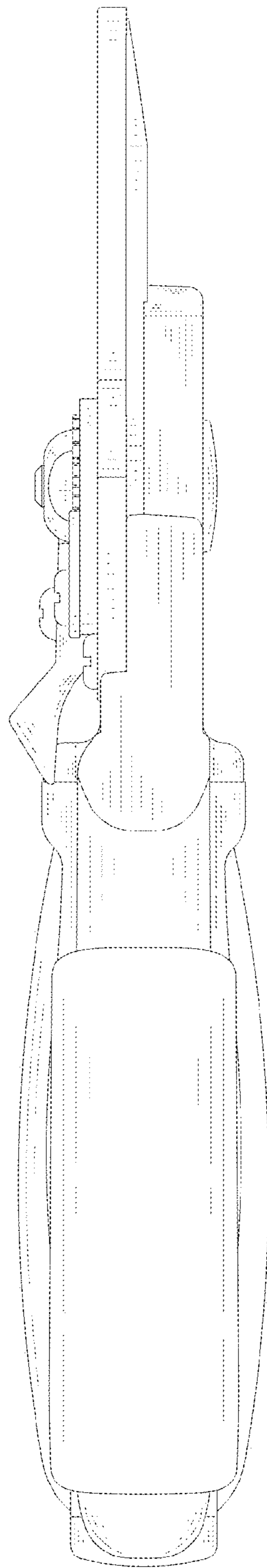


FIG. 5

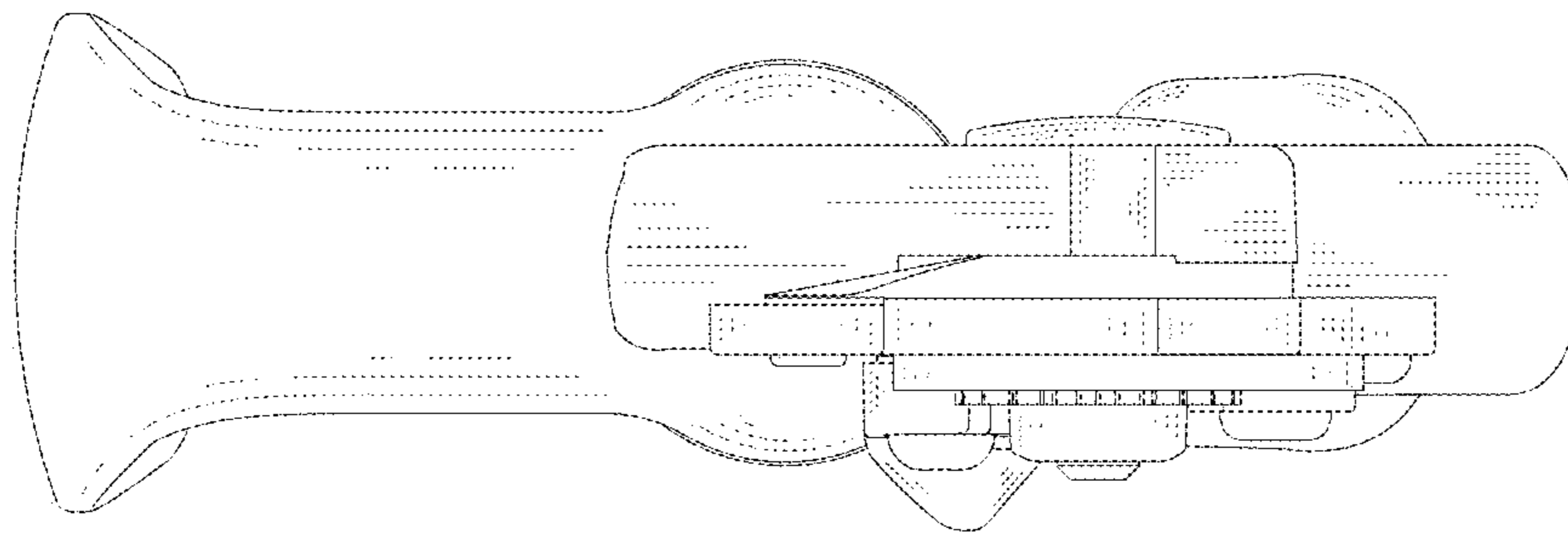


FIG. 6

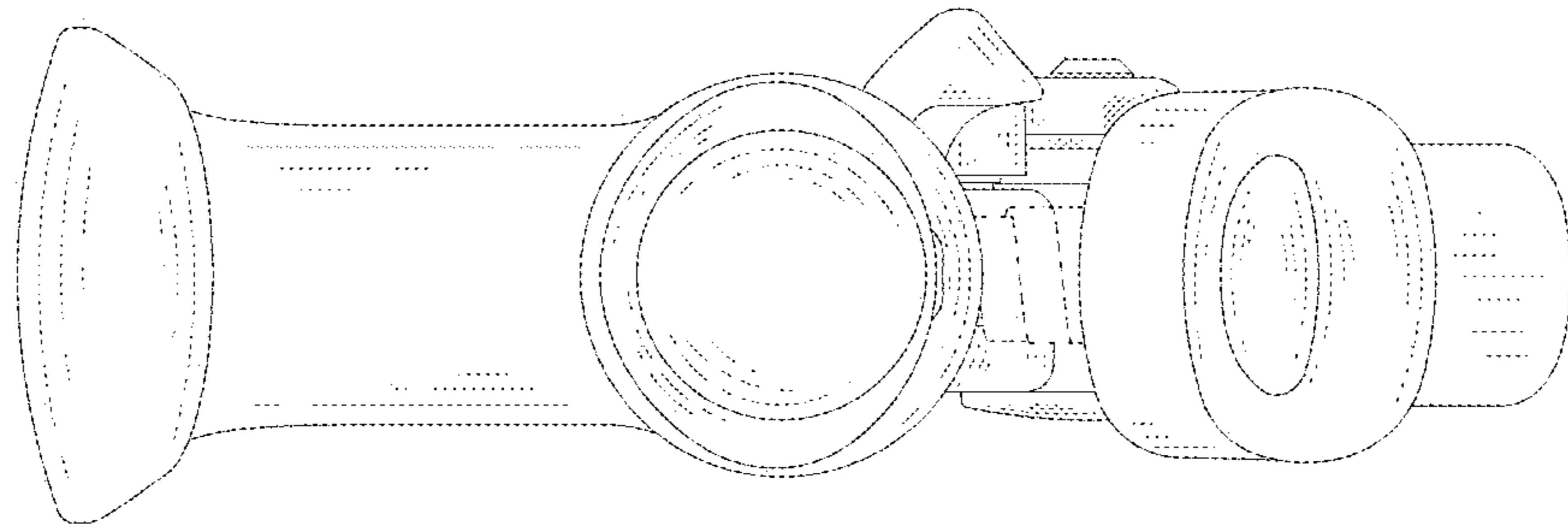


FIG. 7