



US00D948294S

(12) **United States Design Patent**
Garcia et al.

(10) **Patent No.:** **US D948,294 S**
(45) **Date of Patent:** **** Apr. 12, 2022**

- (54) **CONTAINER**
- (71) Applicant: **Direct Pack, Inc.**, Azusa, CA (US)
- (72) Inventors: **Maria Angelica O. Garcia**, Anaheim, CA (US); **Jose Enriquez**, South Gate, CA (US)
- (73) Assignee: **Direct Pack, Inc.**, Azusa, CA (US)
- (**) Term: **15 Years**
- (21) Appl. No.: **29/613,333**
- (22) Filed: **Aug. 9, 2017**
- (51) **LOC (13) Cl.** **09-07**
- (52) **U.S. Cl.**
USPC **D7/629**
- (58) **Field of Classification Search**
USPC D7/354, 601-602, 610, 629-630,
D7/707-708; D9/424-426, 428,
D9/500-503, 761; 206/405, 557;
426/392; 229/903
CPC B65D 1/36; B65D 81/3446; B65D 1/00;
A47G 23/04; A47G 23/0683; A47G 23/06
See application file for complete search history.

- D479,806 S * 9/2003 Nilsson D10/46.2
- D491,024 S * 6/2004 Welsh D7/629
- D494,062 S * 8/2004 Willis D7/540
- 7,063,231 B2 * 6/2006 Stanos B65D 43/0208
220/4.21
- D547,124 S * 7/2007 Peretz D7/505
(Continued)

FOREIGN PATENT DOCUMENTS

- JP D1351318 * 2/2009
- KR 300686768.0000 * 3/2013
- KR 300942554.0000 * 2/2018

OTHER PUBLICATIONS

Cascade 48 oz. lid clear, BottleBox, thebottlebox.com, author and date not listed © 2019 The Bottlebox, online, site visited Jul. 12, 2019. Available from Internet, URL: <https://www.thebottlebox.com/product/bottlebox-cascade-48-oz-lid-clear-special-offer/> (Year: 2019).*

(Continued)

Primary Examiner — Lakiya G Rogers
Assistant Examiner — Altaira J Swangin
(74) *Attorney, Agent, or Firm* — Frost Brown Todd LLC

(57) **CLAIM**

The ornamental design for a container, as shown and described.

(56) **References Cited**

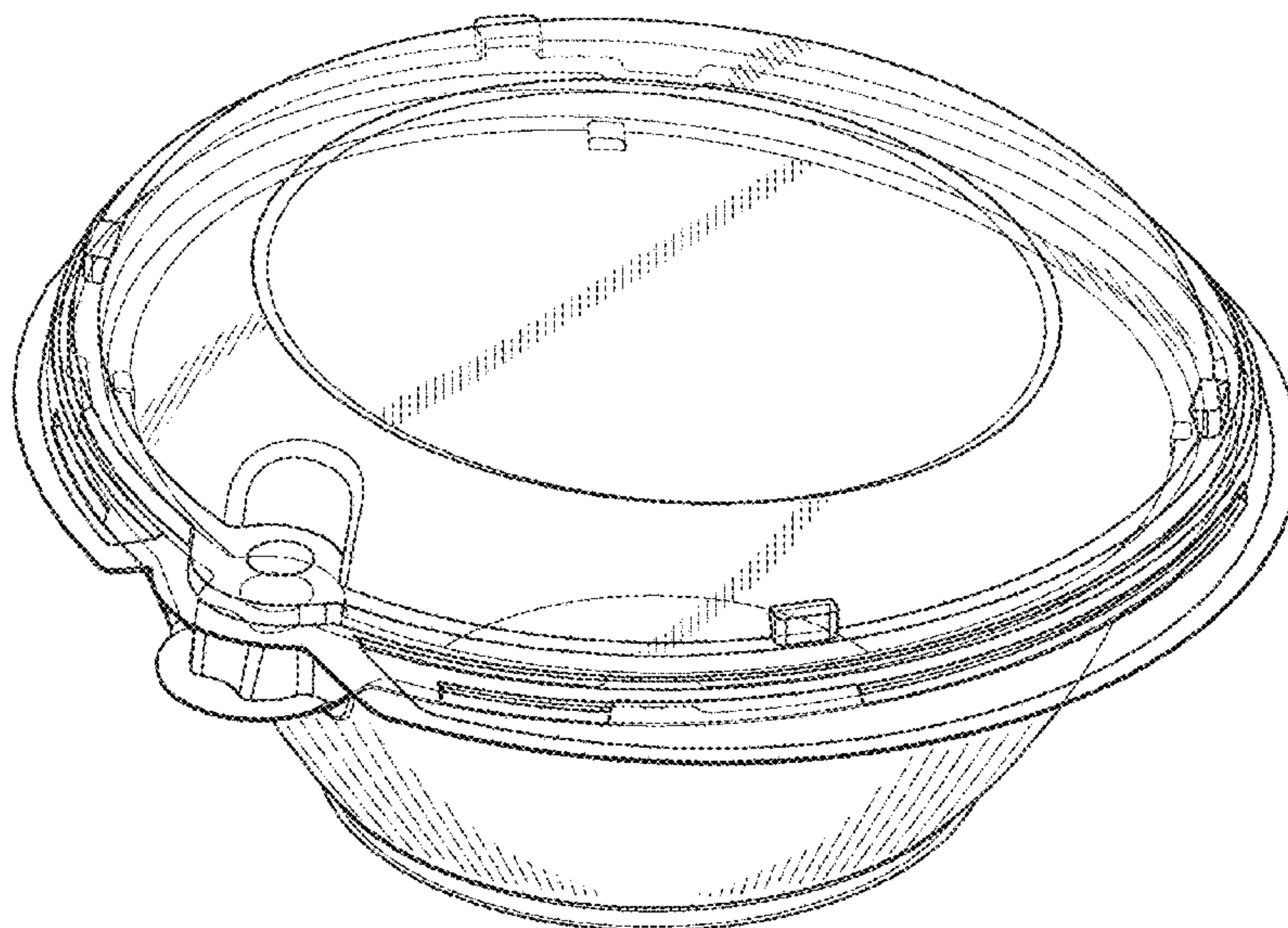
U.S. PATENT DOCUMENTS

- 2,816,589 A * 12/1957 Tupper A47G 19/30
220/305
- 3,401,825 A * 9/1968 Weiss B65D 43/021
220/787
- D241,399 S * 9/1976 Christian D7/540
- D376,960 S * 12/1996 Ferris D7/538
- 5,894,953 A * 4/1999 Ramirez B65D 21/0233
206/508
- D411,714 S * 6/1999 Wilson D7/629
- 6,168,044 B1 * 1/2001 Zettle B65D 43/0208
220/784
- D476,861 S * 7/2003 Zettle D7/538
- D479,441 S * 9/2003 Whitworth D7/629

DESCRIPTION

FIG. 1 is a top perspective view of a container showing our new design;
FIG. 2 is a bottom perspective view of thereof;
FIG. 3 is a front elevational view thereof;
FIG. 4 is a back elevational view thereof;
FIG. 5 is a left elevational view thereof;
FIG. 6 is a right elevational view thereof;
FIG. 7 is a top plan view thereof; and,
FIG. 8 is a bottom plan view thereof.

1 Claim, 8 Drawing Sheets



(56)

References Cited

U.S. PATENT DOCUMENTS

D549,050 S * 8/2007 Spencer D7/538
 D562,148 S * 2/2008 Park D9/428
 D582,218 S * 12/2008 Curtin D7/540
 D584,110 S * 1/2009 Hauser D7/629
 D606,368 S * 12/2009 Wu D7/629
 D632,527 S * 2/2011 Olivari D7/587
 D636,641 S * 4/2011 Smyers D7/629
 8,091,732 B2 * 1/2012 Bryson B65D 43/0208
 220/780
 9,078,535 B1 * 7/2015 Buck A47G 19/2205
 D738,491 S * 9/2015 Foley D24/121
 9,211,030 B2 * 12/2015 France A47J 27/16
 D775,957 S * 1/2017 Hunt D7/629
 D794,444 S * 8/2017 Chen D9/428
 D827,382 S * 9/2018 Uzunlar D7/538
 D838,585 S * 1/2019 Kui D9/428
 D840,760 S * 2/2019 Carrette D7/602
 D842,655 S * 3/2019 Bentzen D7/602
 D845,757 S * 4/2019 Garcia D9/428
 10,364,066 B2 * 7/2019 Clark B65D 81/3205
 10,479,554 B2 * 11/2019 Dziaba B65D 43/0212
 D868,543 S * 12/2019 Carrette D7/602
 D869,238 S * 12/2019 Saubert D7/412
 10,737,867 B2 * 8/2020 Chiang B65D 25/24
 D915,124 S * 4/2021 Vallee D7/354

2007/0235457 A1 * 10/2007 Merey B65D 81/3222
 220/522
 2010/0075000 A1 * 3/2010 Michaeli B65D 51/28
 426/115
 2010/0163553 A1 * 7/2010 Backaert B65D 81/3423
 219/682
 2018/0237188 A1 * 8/2018 Aung B65D 25/04
 2019/0256252 A1 * 8/2019 Mundy B65D 21/0228
 2019/0307273 A1 * 10/2019 Ferro B65D 1/40
 2019/0352039 A1 * 11/2019 Lane B65D 1/36

OTHER PUBLICATIONS

Salad Bowl with Lid ABET2401, Anny's Plastic Tableware, annysplastictableware.com, author not listed, posted Jun. 14, 2014 per wayback machine © 2019 Jinhua Lansin Commodity Co., Ltd., online, site visited Jul. 12, 2019. Available from Internet, URL: <https://www.annysplastictableware.com/product> . . . (Year: *
 Heavy Duty 32 oz./1000ml Disposable Plastic Salad Bowl with Lid, Lansin Packaging, lansinpackaging.com, author unlisted, published on Nov. 13, 2015 © 2021 Lansin Packaging, online, site visited Mar. 9, 2021. Available from Internet, URL: <http://www.lansinpackaging.com/heavy-duty-32oz1000ml...-disposable-crystal-clear-plastic-pet-salad-bowl-with-lid-abet3201/> (Year: 2015).*

* cited by examiner

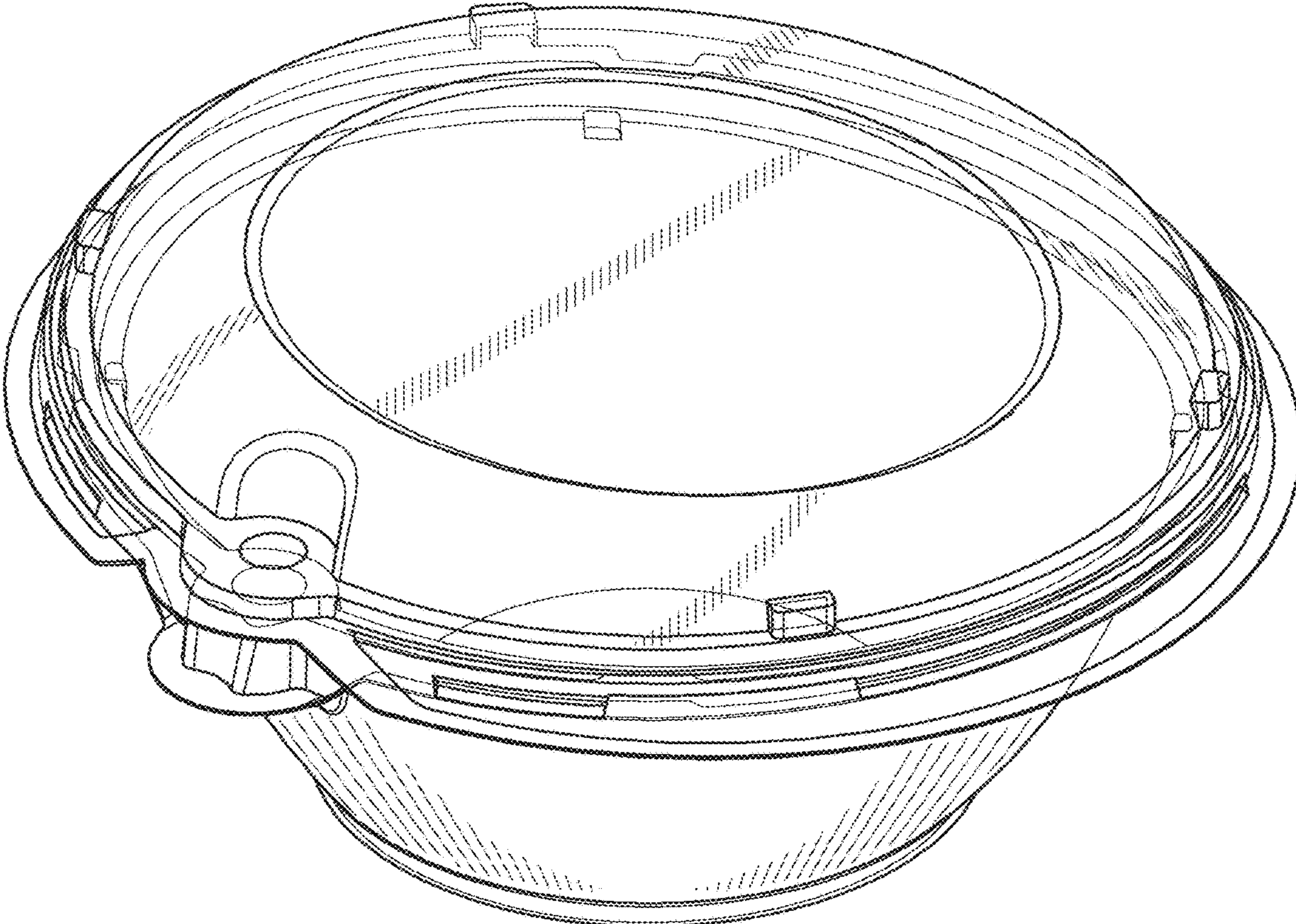


FIG. 1

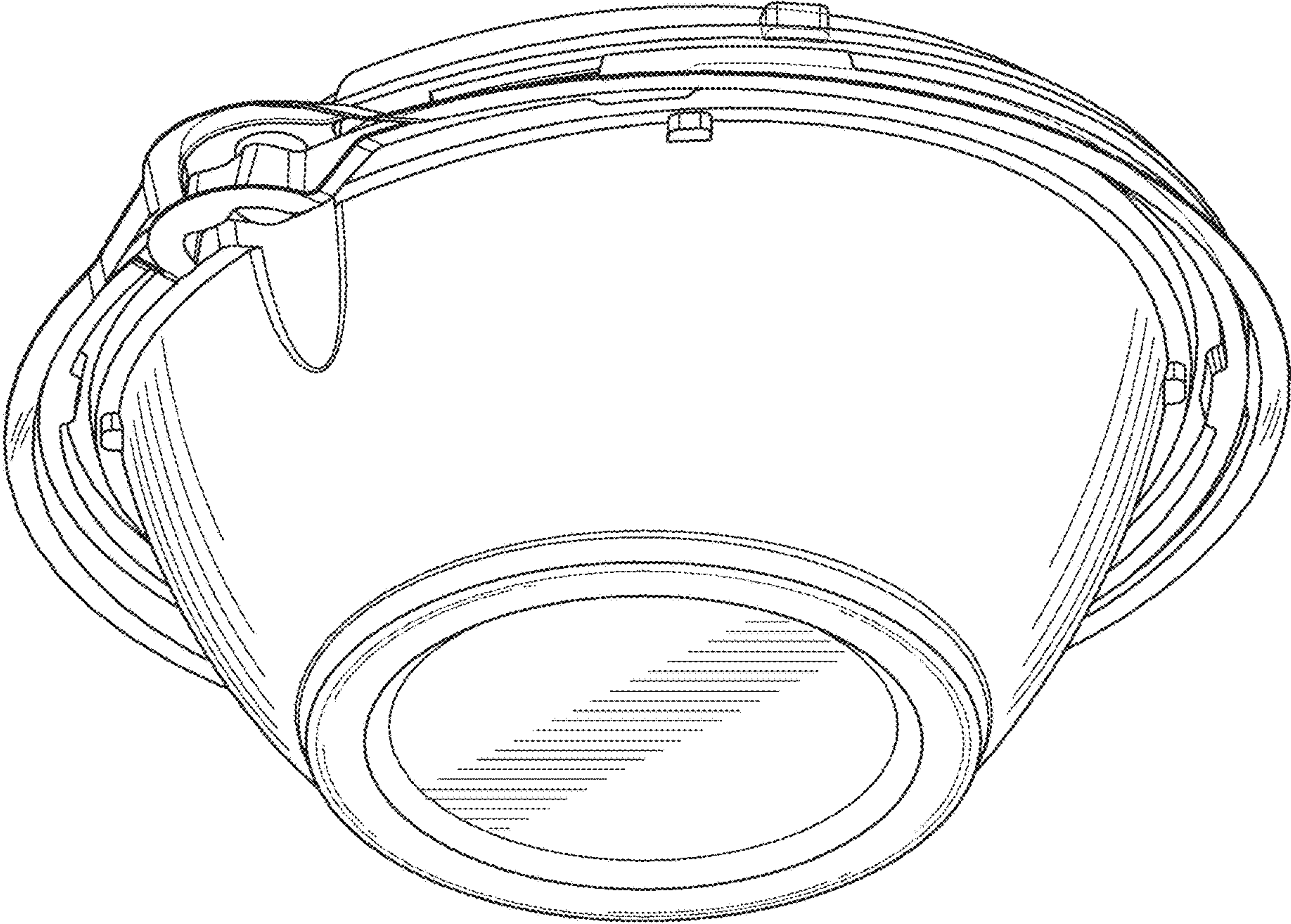


FIG. 2

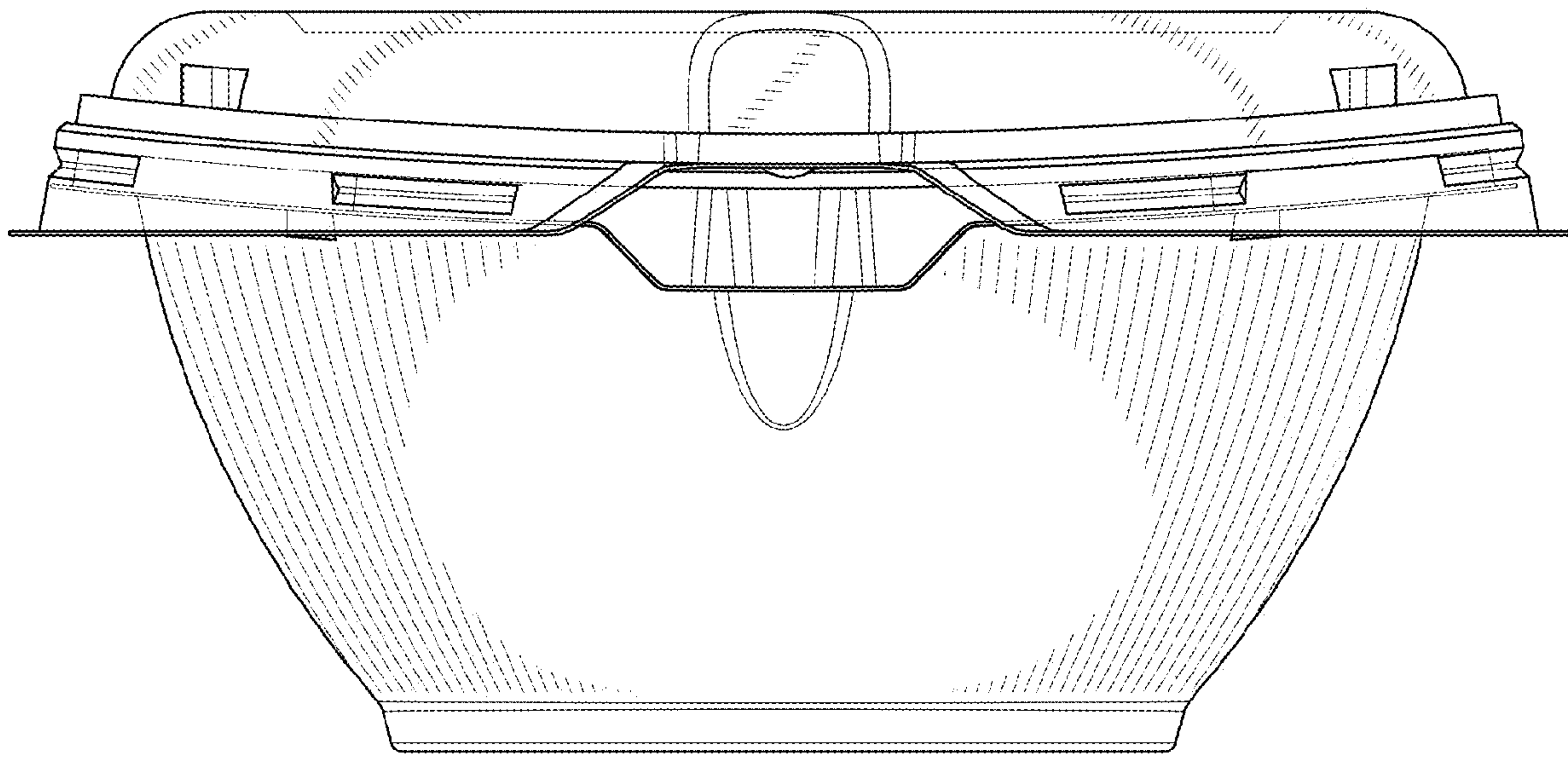


FIG. 3

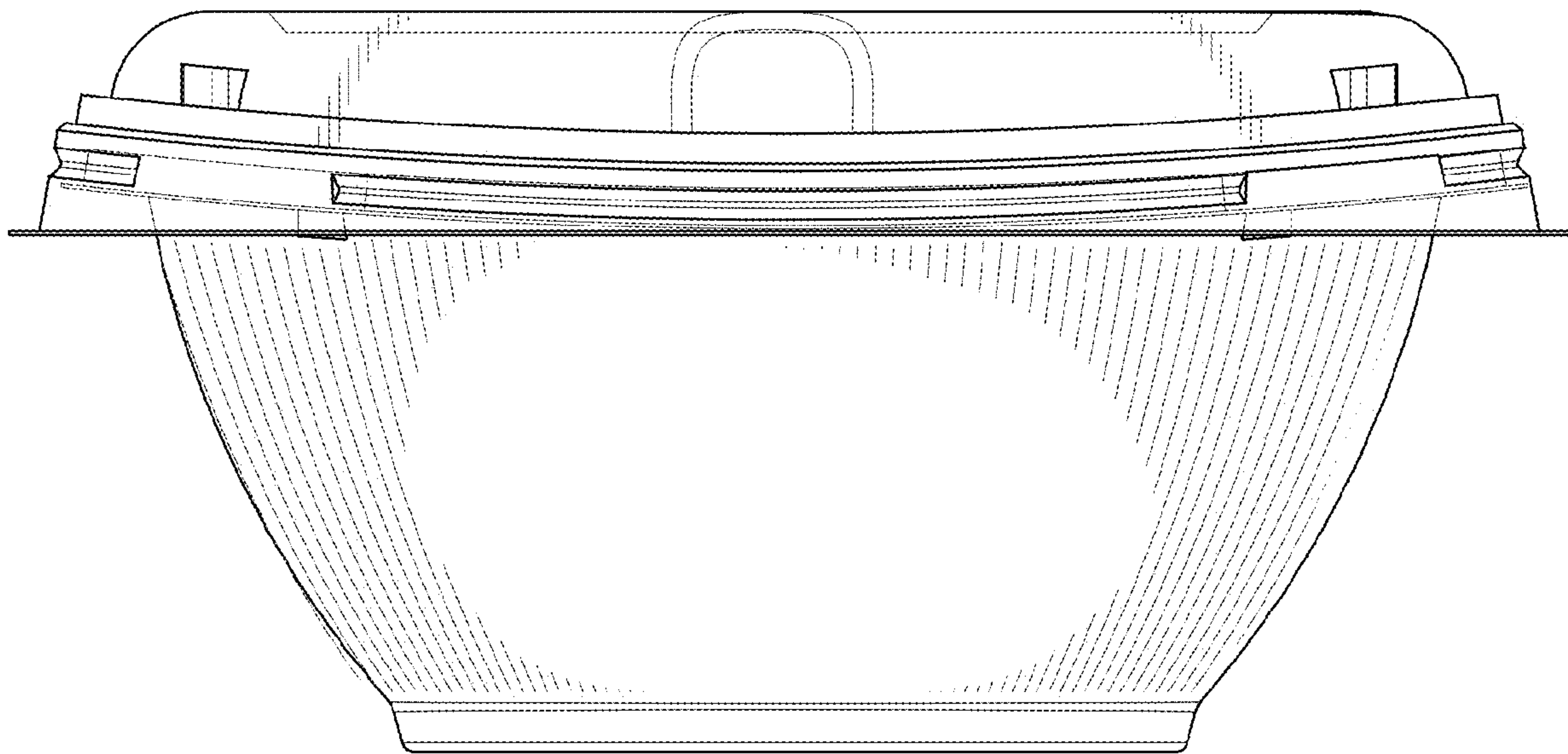


FIG. 4

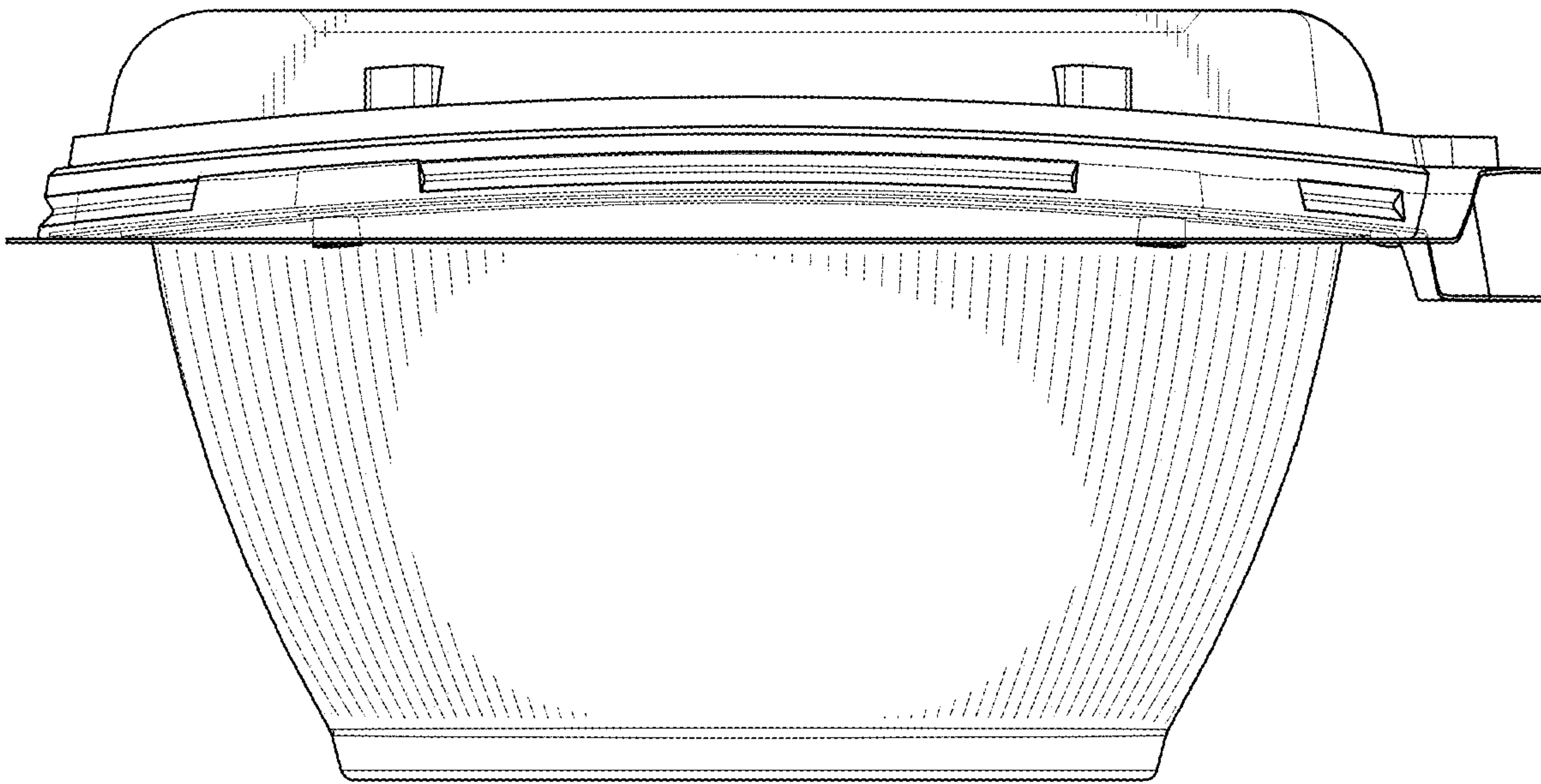


FIG. 5

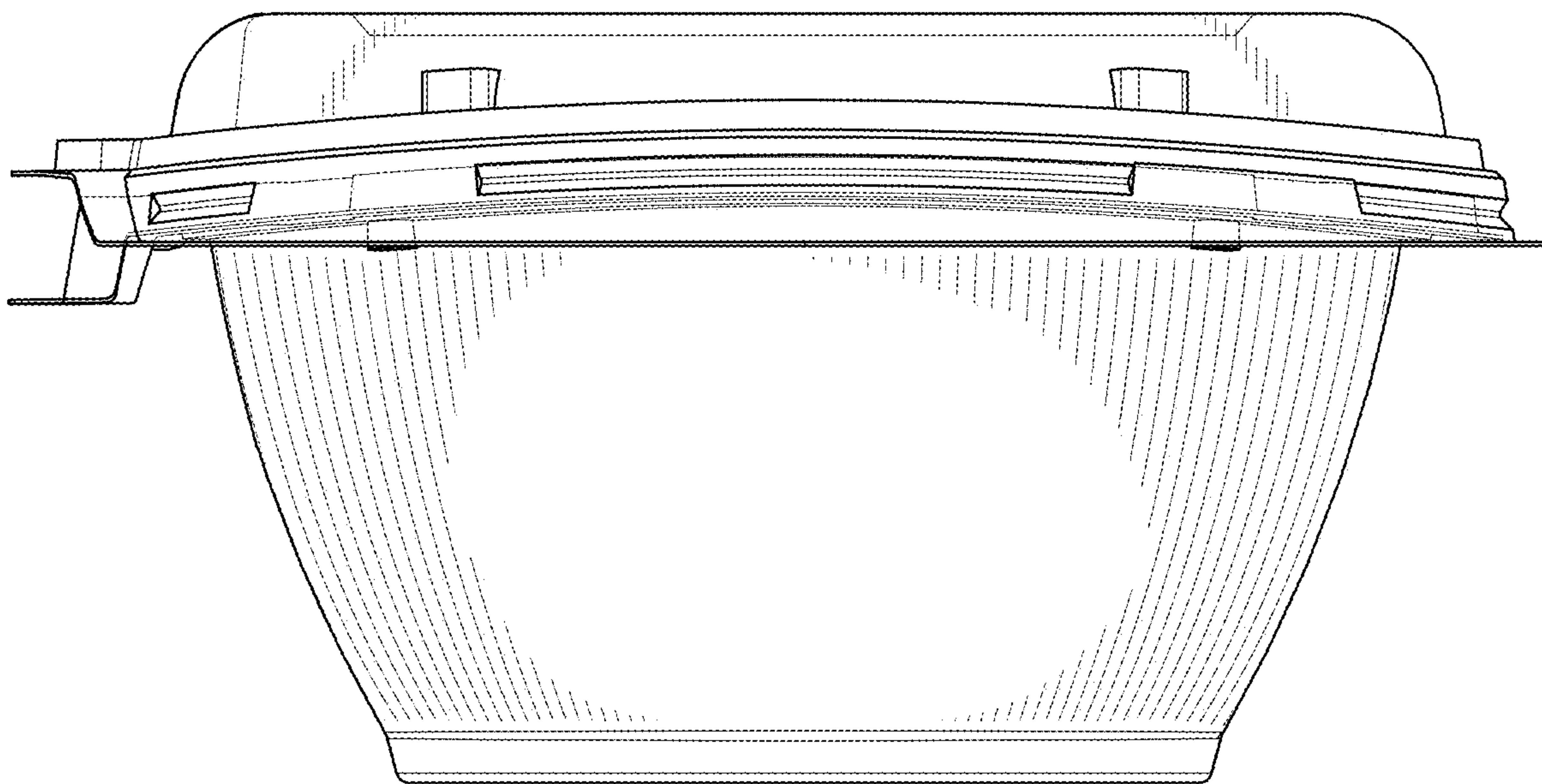


FIG. 6

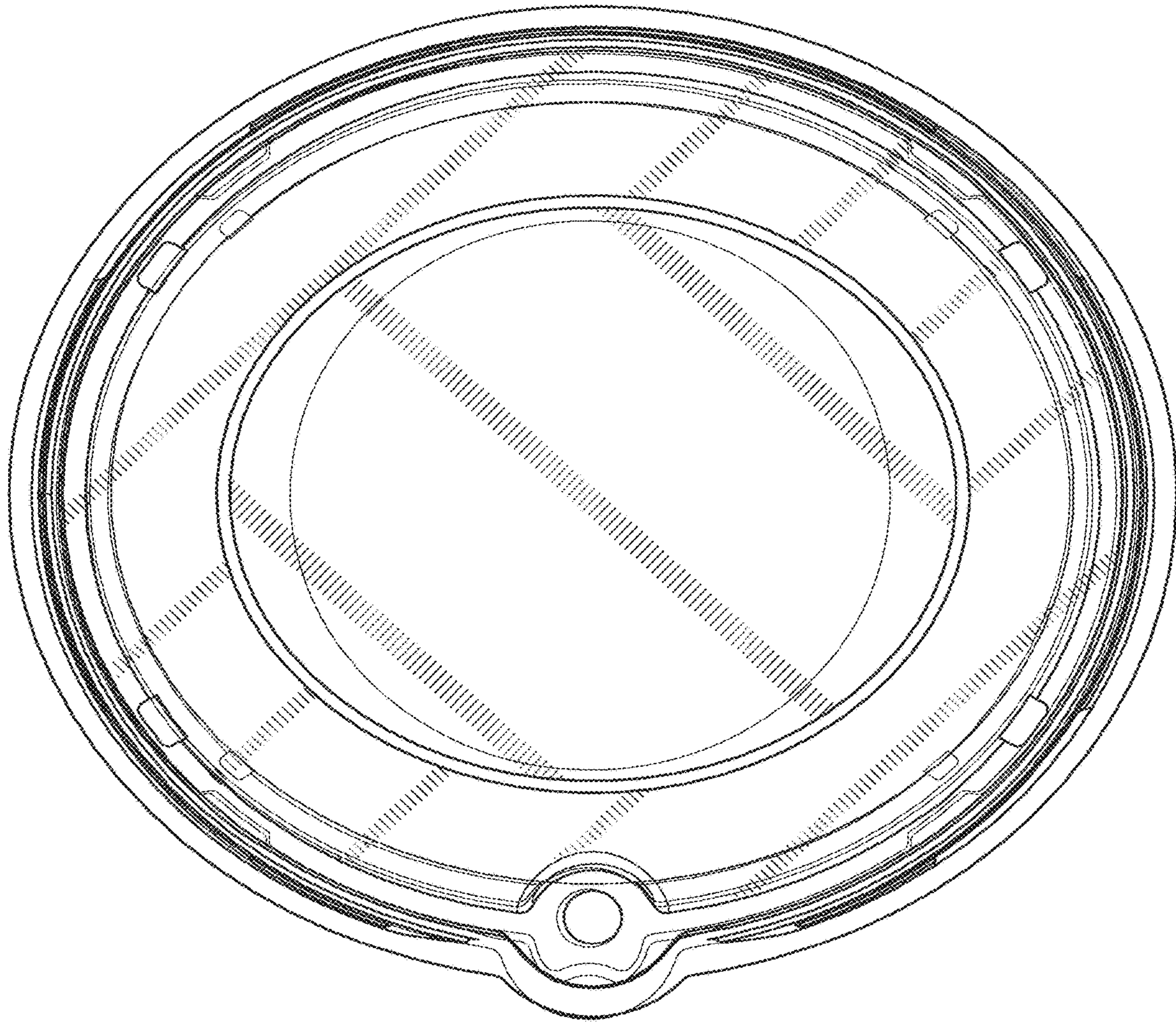


FIG. 7

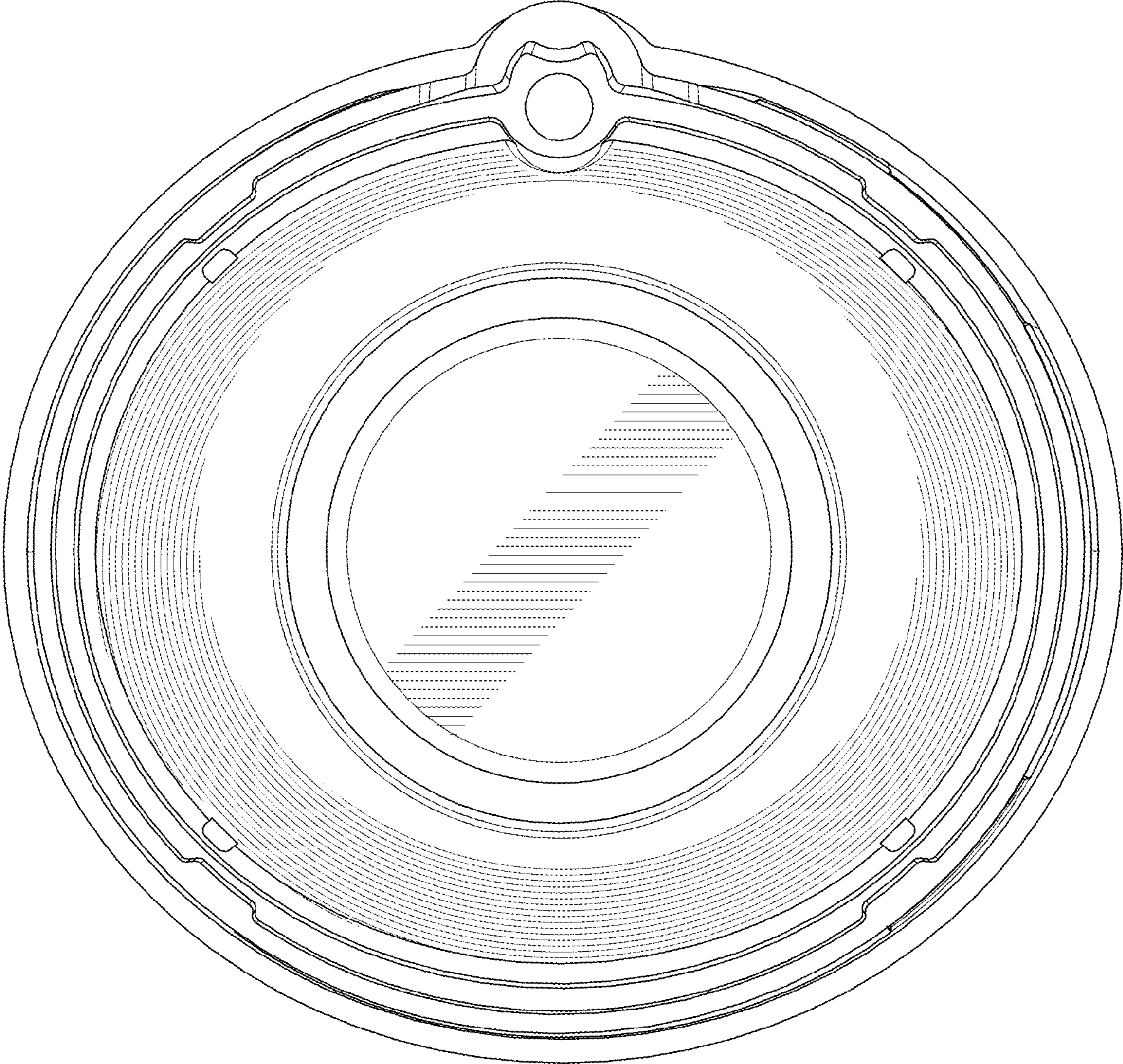


FIG. 8