



US00D948293S

(12) **United States Design Patent** (10) **Patent No.:** **US D948,293 S**  
**Wahl et al.** (45) **Date of Patent:** **\*\* Apr. 12, 2022**

(54) **FOOD CONTAINER**

(56) **References Cited**

(71) Applicant: **Pacific Market International, LLC**,  
Seattle, WA (US)  
(72) Inventors: **Andrew C. F. Wahl**, Seattle, WA (US);  
**Matthew Kenneth Dolph**, Seattle, WA  
(US)  
(73) Assignee: **Pacific Market International, LLC**,  
Seattle, WA (US)  
(\*\*) Term: **15 Years**  
(21) Appl. No.: **29/726,753**  
(22) Filed: **Mar. 5, 2020**

U.S. PATENT DOCUMENTS

D120,134 S 4/1940 Morrison  
2,963,187 A \* 12/1960 Bramming ..... A47J 41/02  
215/12.1  
D234,110 S 1/1975 Achenbach  
4,344,303 A 8/1982 Kelly, Jr.  
4,462,444 A 7/1984 Larson  
4,615,463 A 10/1986 Price et al.  
D310,942 S 10/1990 Woodall  
4,966,303 A 10/1990 Jones  
D411,802 S \* 7/1999 Hestehave ..... D9/500  
D437,528 S 2/2001 Kitamura et al.  
6,332,557 B1 \* 12/2001 Moran ..... A47J 41/0083  
215/12.1

(Continued)

OTHER PUBLICATIONS

Information Disclosure Statement Transmittal Letter filed herewith,  
dated Jul. 6, 2020, 2 pages.

*Primary Examiner* — Terry A Wallace  
(74) *Attorney, Agent, or Firm* — George C. Rondeau, Jr.;  
Davis Wright Tremaine, LLP

**Related U.S. Application Data**

(63) Continuation of application No. 29/719,766, filed on  
Jan. 7, 2020.  
(51) **LOC (13) Cl.** ..... **07-01**  
(52) **U.S. Cl.**  
USPC ..... **D7/608**  
(58) **Field of Classification Search**  
USPC ..... D7/605–608, 509–511, 619.1–625, 629,  
D7/630; D9/500, 502–505, 516, 549,  
D9/557, 558  
CPC ..... B65D 81/3837; B65D 81/3839; B65D  
81/3841; B65D 81/3844; B65D 81/3846;  
B65D 81/3869; B65D 81/3881; B65D  
81/3876; B65D 81/3865; B65D 81/38;  
B65D 23/104; B65D 1/00; B65D 1/02;  
B65D 2501/00; B65D 2501/0009; A47J  
41/0005; A47J 41/0083; A47J 41/02;  
A47J 41/024; A47J 41/026; A47J 41/028;  
A47J 41/0077; A47J 41/00; A47J  
41/0088; F25D 2331/803; F25D 3/08;  
A45C 11/20

See application file for complete search history.

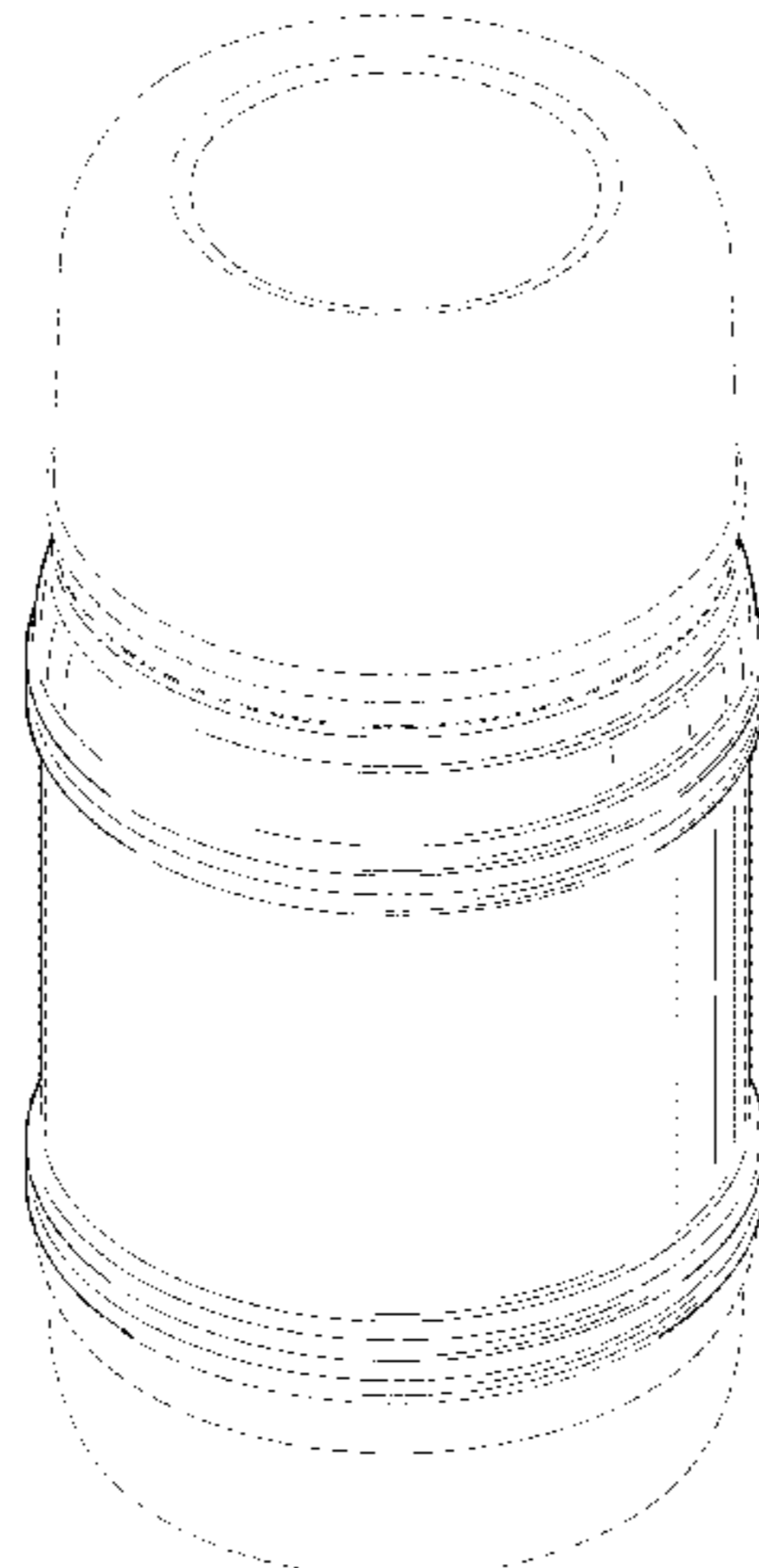
(57) **CLAIM**

The ornamental design for a food container, as shown and  
described.

**DESCRIPTION**

FIG. 1 is a top perspective view of a food container showing  
our new design.  
FIG. 2 is a bottom perspective view thereof.  
FIG. 3 is a left side view thereof.  
FIG. 4 is a rear view thereof.  
FIG. 5 is a right side view thereof.  
FIG. 6 is a front view thereof.  
FIG. 7 is a top plan view thereof; and,  
FIG. 8 is a bottom plan view thereof.

(Continued)



The broken lines depict portions of the food container which form no part of the claimed design.

**1 Claim, 7 Drawing Sheets**

(56)

**References Cited**

U.S. PATENT DOCUMENTS

D454,034 S 3/2002 McLaughlin  
D495,875 S 9/2004 Spence, Jr.  
D518,380 S 4/2006 Moran  
D551,022 S 9/2007 Meehan  
D553,908 S 10/2007 Bonini  
D557,994 S \* 12/2007 Wahl ..... D7/608  
D590,212 S 4/2009 Mancha, Jr. et al.  
D630,062 S 1/2011 Carreno  
D639,114 S 6/2011 Swinford et al.  
D649,402 S 11/2011 Gilbert et al.  
D650,235 S 12/2011 Eyal

D652,257 S \* 1/2012 Kraemer ..... D7/523  
D660,084 S \* 5/2012 Gilbert ..... D7/538  
D660,655 S \* 5/2012 Wahl ..... D7/629  
D669,737 S \* 10/2012 Nemeth ..... D7/532  
D701,428 S 3/2014 Lapsker  
D709,736 S 7/2014 Gooding  
D718,980 S 12/2014 Lapsker  
D742,221 S 11/2015 Casiddu  
D742,699 S \* 11/2015 Boroski ..... D7/608  
D754,484 S \* 4/2016 Lapsker ..... D7/532  
D756,784 S \* 5/2016 Fine ..... D9/500  
D769,046 S \* 10/2016 Beckman ..... B65D 25/28  
D784,763 S 4/2017 Oshana  
9,845,989 B1 12/2017 Veiga  
D809,347 S \* 2/2018 Silsby ..... D7/608  
D827,377 S \* 9/2018 Silsby ..... D7/510  
D829,057 S 9/2018 Agado  
10,959,553 B2 \* 3/2021 Nichols ..... A47J 41/0027  
D917,968 S 5/2021 Silsby  
2007/0241117 A1 10/2007 Szymanski

\* cited by examiner

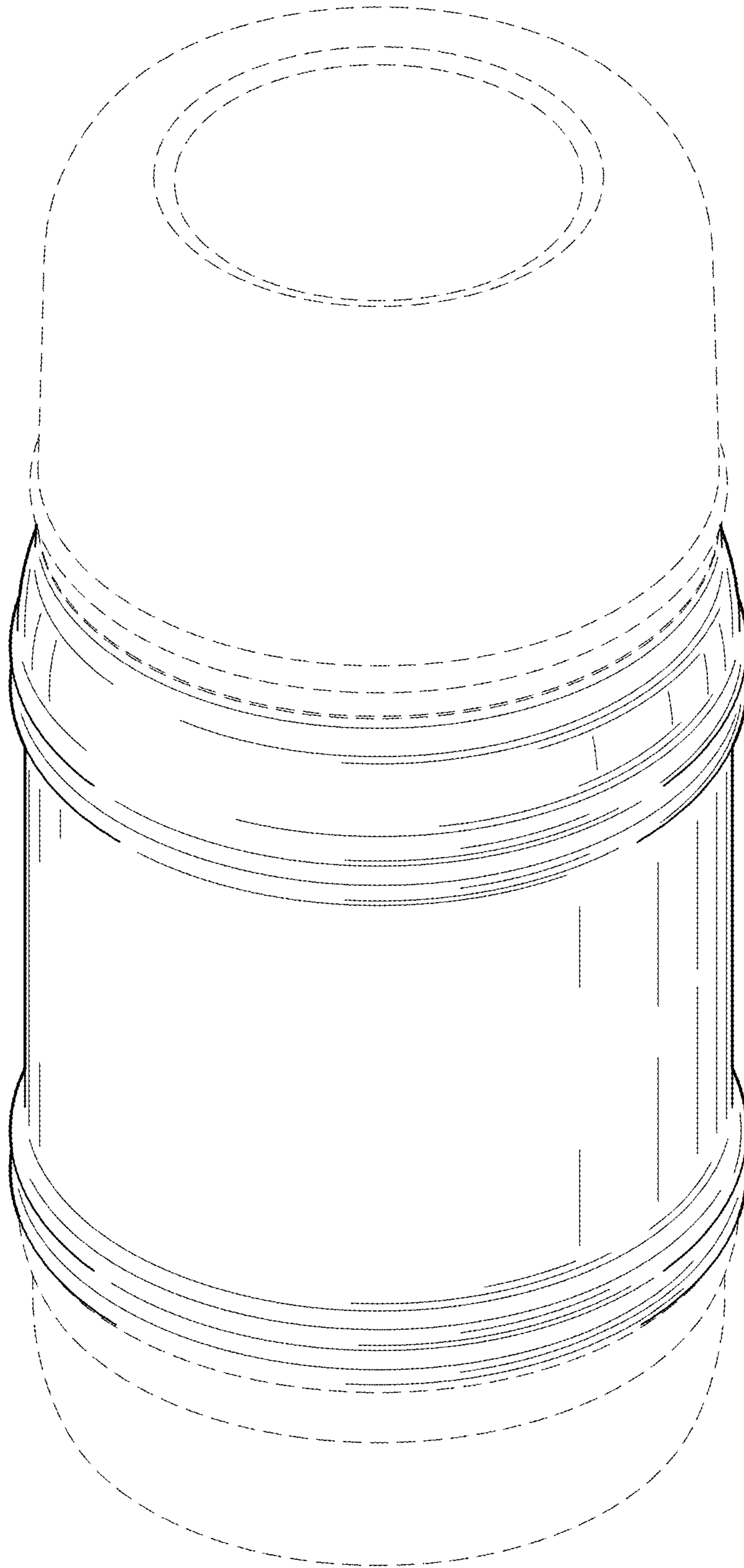


FIG. 1

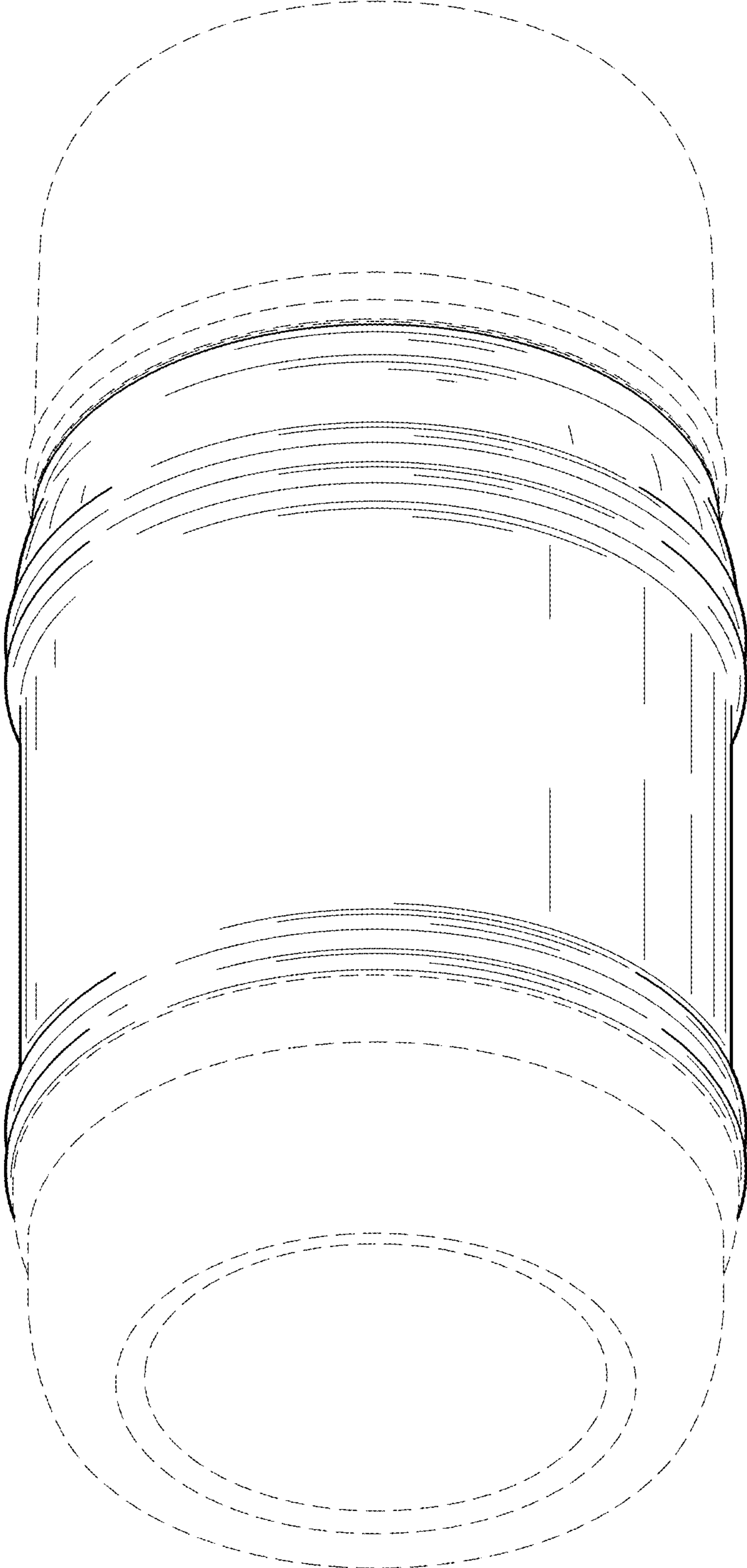


FIG. 2

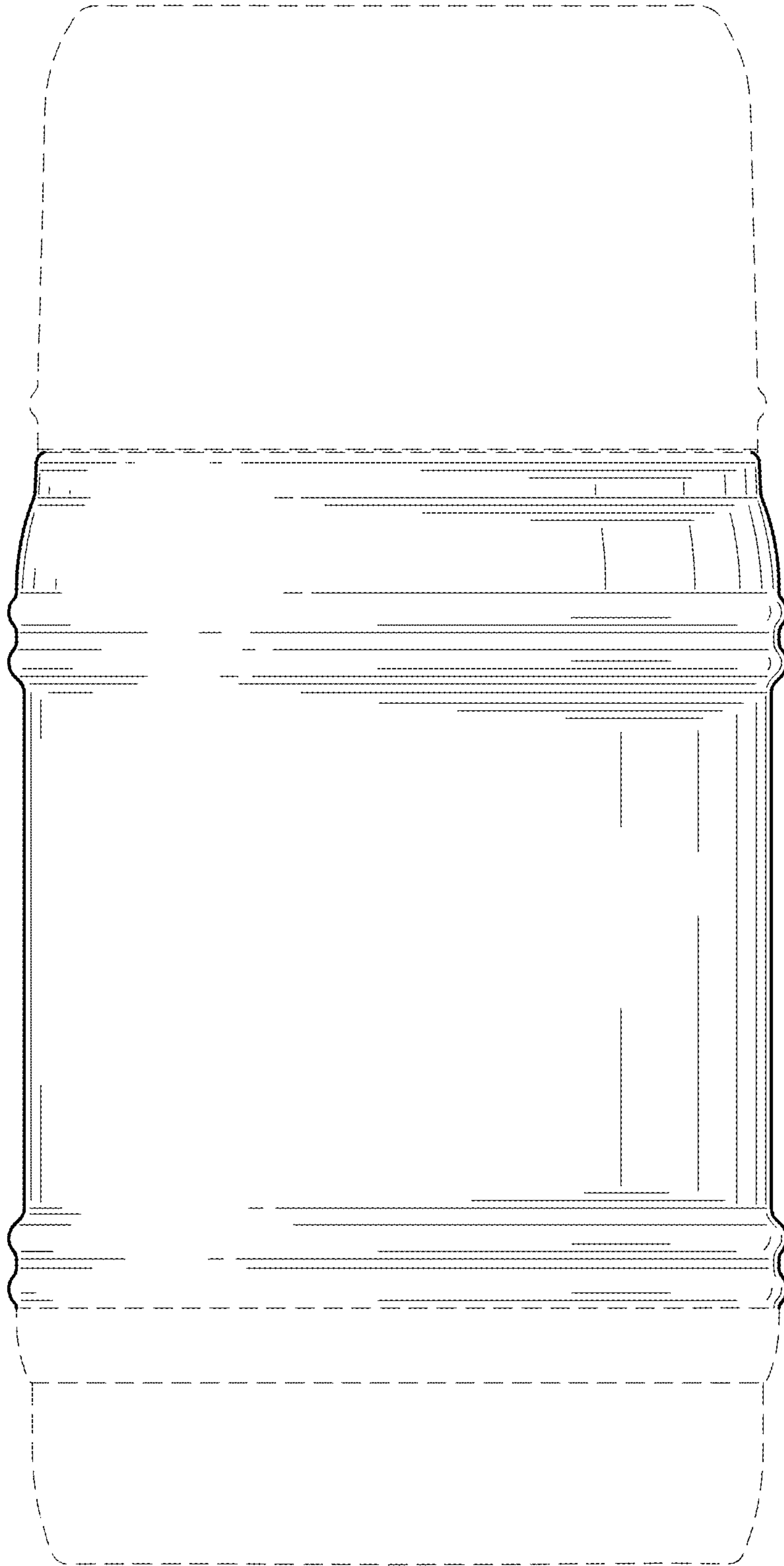


FIG. 3

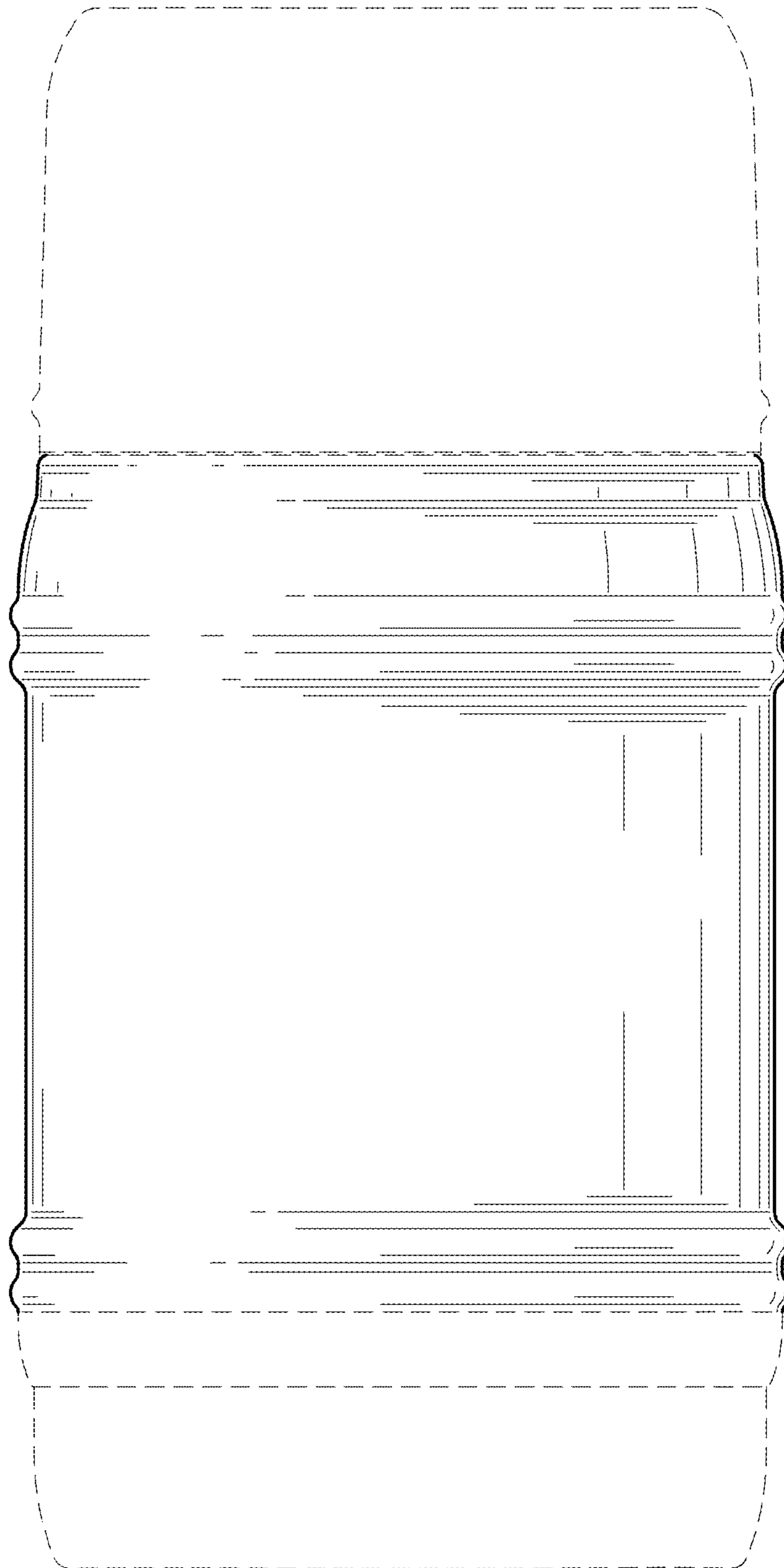


FIG. 4

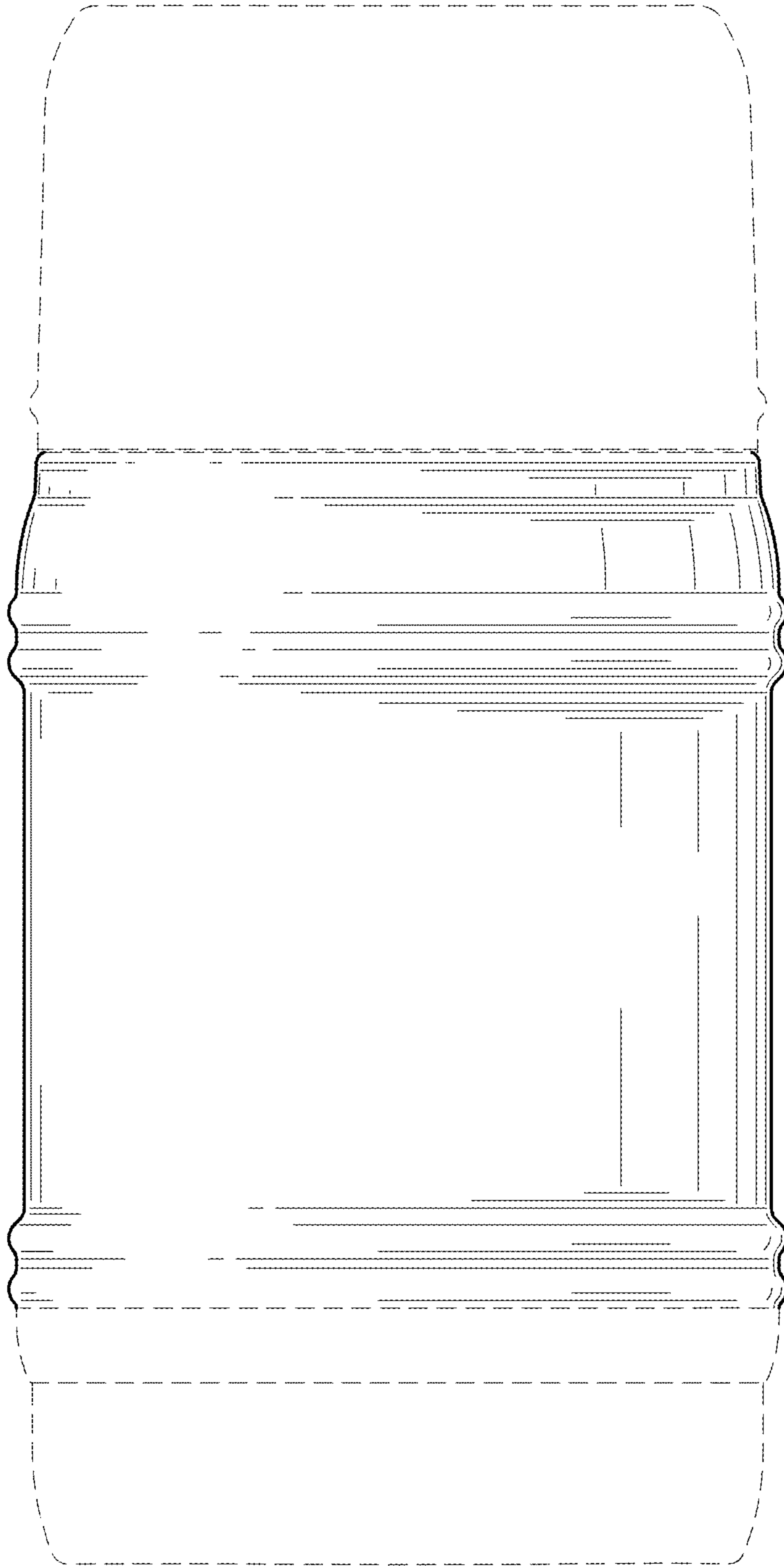


FIG. 5

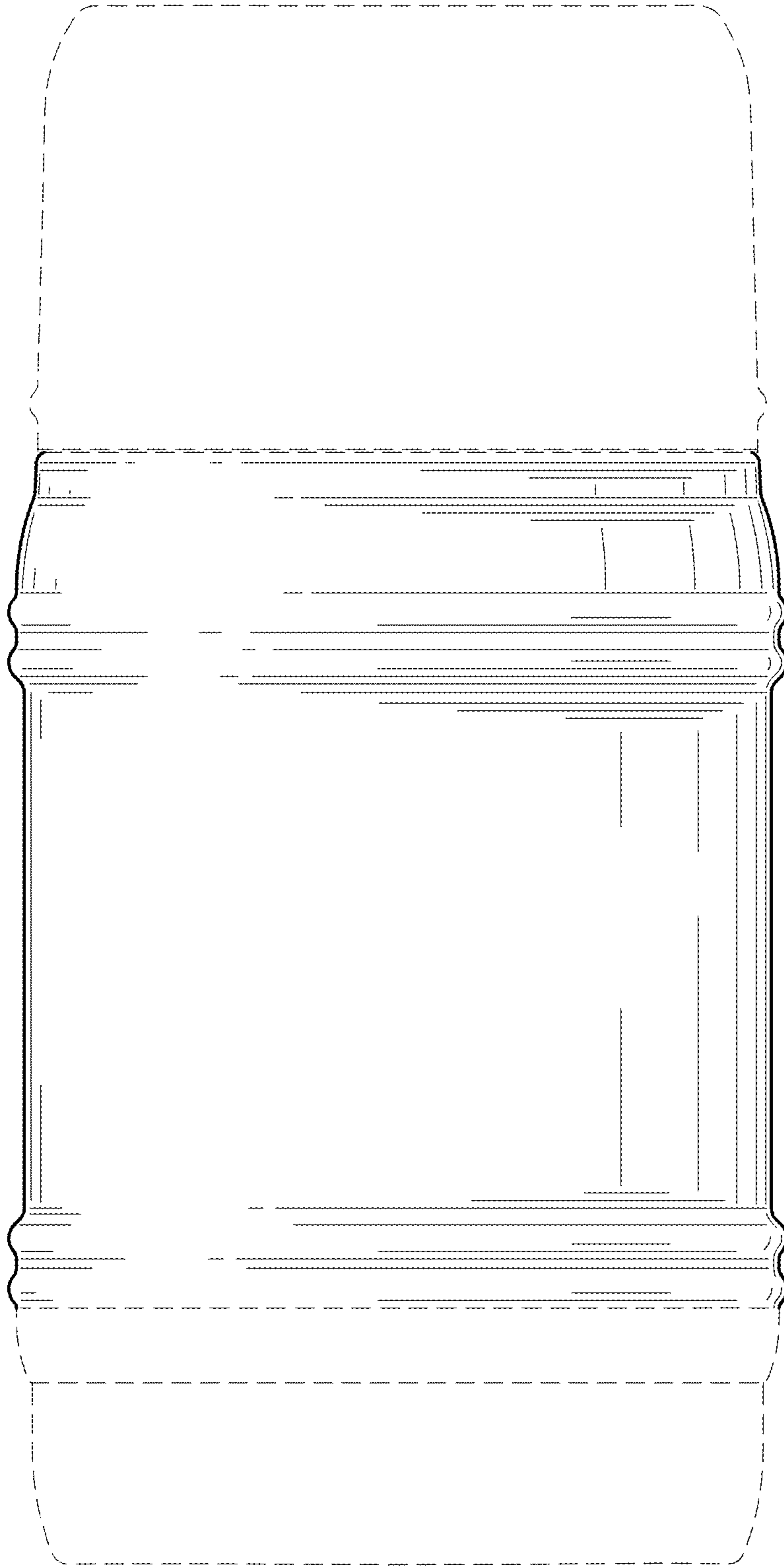


FIG. 6



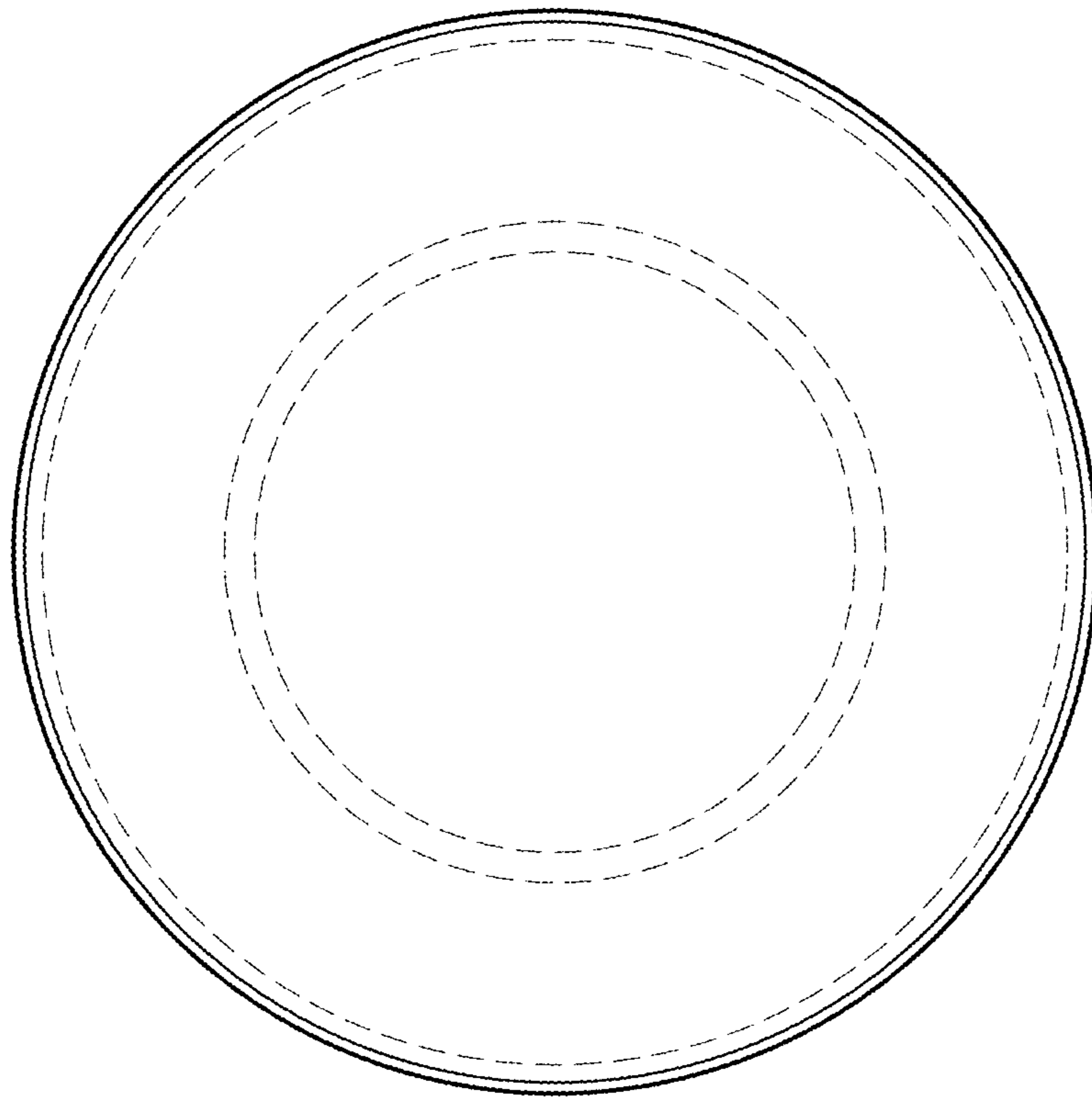


FIG. 7

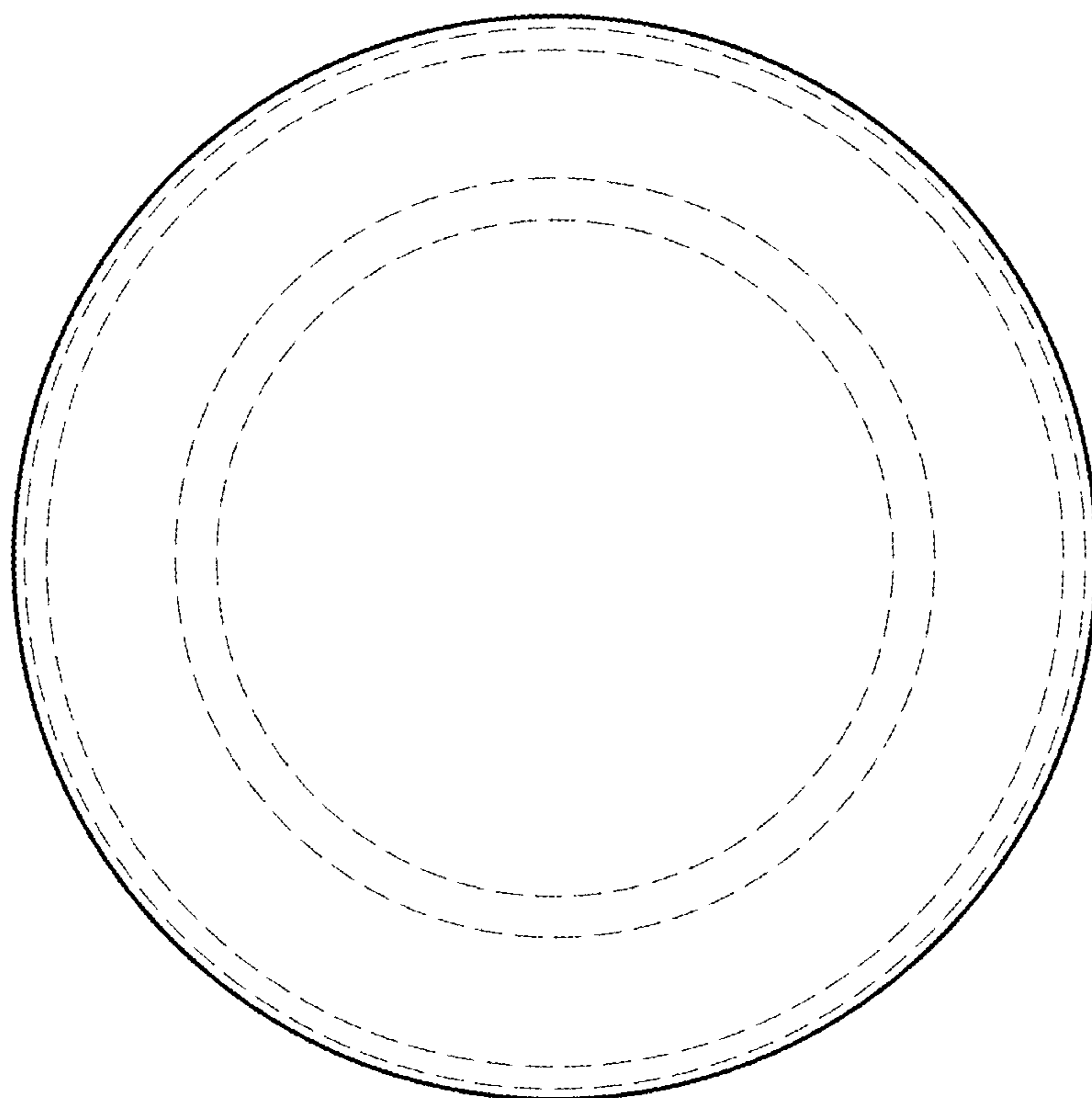


FIG. 8