



US00D948292S

(12) **United States Design Patent** (10) **Patent No.:** **US D948,292 S**
Deng (45) **Date of Patent:** **** Apr. 12, 2022**

(54) **COOLER BOX**
(71) Applicant: **GUANGZHOU TSUNAMI INDUSTRIAL EQUIPMENT CO., LTD.**, Guangzhou (CN)
(72) Inventor: **Junlin Deng**, Guangzhou (CN)
(73) Assignee: **GUANGZHOU TSUNAMI INDUSTRIAL EQUIPMENT CO., LTD.**, Guangzhou (CN)
(**) Term: **15 Years**
(21) Appl. No.: **29/781,468**
(22) Filed: **Apr. 30, 2021**
(51) **LOC (13) Cl.** **07-01**
(52) **U.S. Cl.**
USPC **D7/605**
(58) **Field of Classification Search**
USPC D7/605–607, 709, 710, 629; D3/272–274
CPC F25D 3/08; F25D 3/02; F25D 3/04; F25D 3/06; F25D 3/14; F25D 3/107; F25D 2331/804; F25D 2331/801; B65D 81/38; B65D 81/3813; B65D 81/3816; B65D 81/3818; B65D 81/382; B65D 81/3823; B65D 81/3825; B65D 81/3827; B65D 81/383; B65D 81/3832; B65D 81/3834; B65D 81/3848; B65D 81/3851; B65D 81/3853; B65D 81/3855; B65D 81/3858; B65D 81/386; B65D 81/3862; A45C 11/20; A45C 3/00; A45C 2003/008
See application file for complete search history.

D480,274 S 10/2003 Yuen
D528,368 S * 9/2006 Maldonado D7/605
7,389,608 B1 * 6/2008 MacKay A01K 97/20
206/315.11
D674,245 S * 1/2013 Williams, Jr. D7/605
8,544,648 B2 * 10/2013 Cleveland B65D 45/22
220/592.2
D831,435 S 10/2018 Zhang
D836,993 S * 1/2019 Meda D7/605
D836,995 S * 1/2019 Carey D7/605
D843,181 S * 3/2019 Yuan D7/605
2005/0109776 A1 * 5/2005 Camp, Jr. A45C 11/20
220/23.86
2005/0127081 A1 * 6/2005 Leba F25D 3/08
220/761
2005/0263527 A1 * 12/2005 Maldonado A45C 13/40
220/592.2
2012/0132657 A1 * 5/2012 Seiders B65D 81/3816
220/592.2
2013/0062356 A1 * 3/2013 Deka B65D 81/3823
220/592.25

(Continued)

Primary Examiner — Terry A Wallace

(57) **CLAIM**

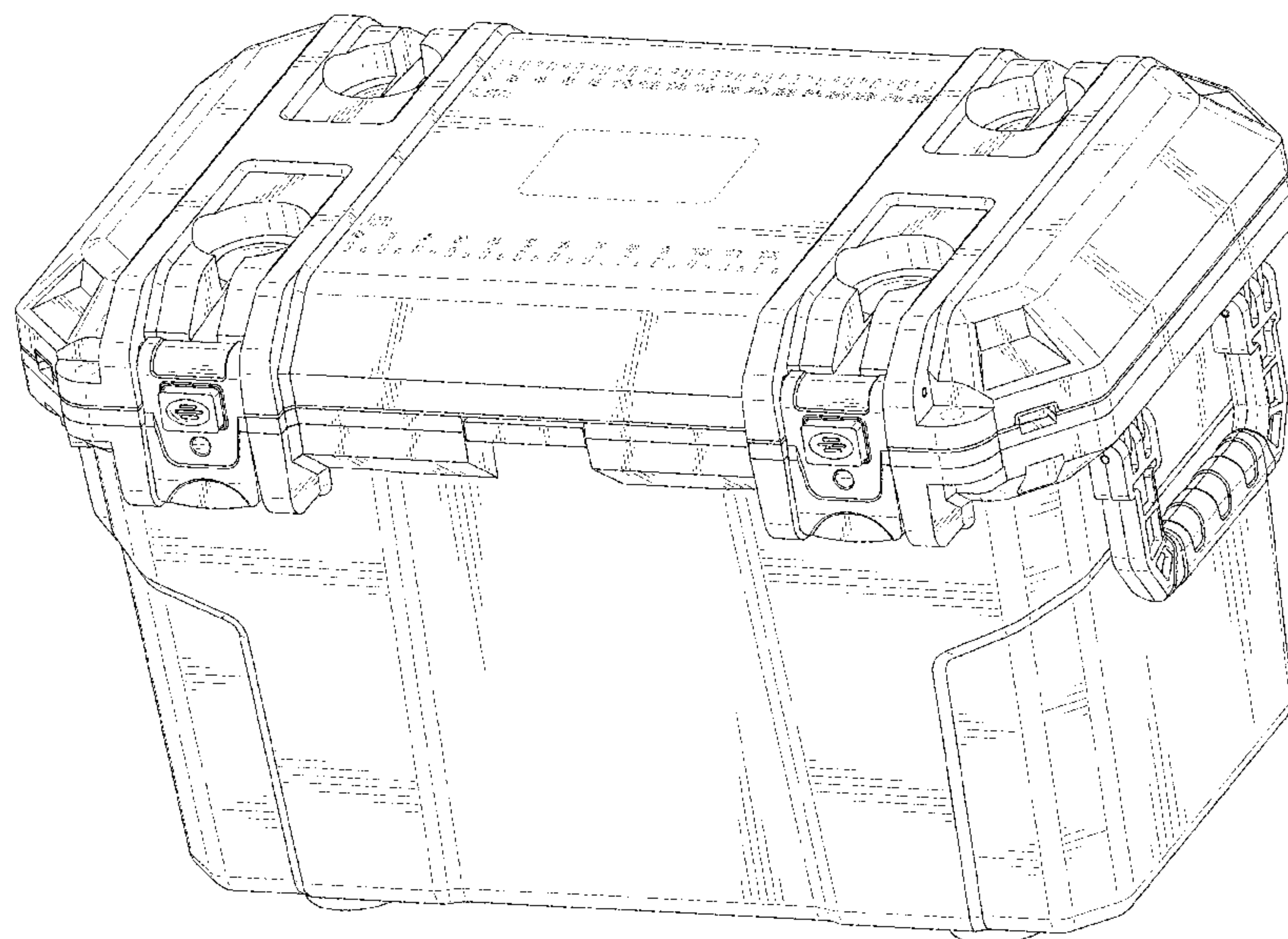
The ornamental design for a cooler box, as shown and described.

DESCRIPTION

FIG. 1 is a perspective view of a cooler box showing my new design;
FIG. 2 is another perspective view thereof;
FIG. 3 is a front elevational view thereof;
FIG. 4 is a rear elevational view thereof;
FIG. 5 is a left side elevational view thereof;
FIG. 6 is a right side elevational view thereof;
FIG. 7 is a top plan view thereof; and,
FIG. 8 is a bottom plan view thereof.
The broken lines in the drawings depict portions of the cooler box that form no part of the claimed design.

1 Claim, 8 Drawing Sheets

(56) **References Cited**
U.S. PATENT DOCUMENTS
D325,323 S * 4/1992 Kahl D7/605
6,182,462 B1 * 2/2001 Bania A45C 15/06
62/264



(56)

References Cited

U.S. PATENT DOCUMENTS

2015/0375918 A1* 12/2015 Holderness B67D 3/0067
220/592.2

* cited by examiner

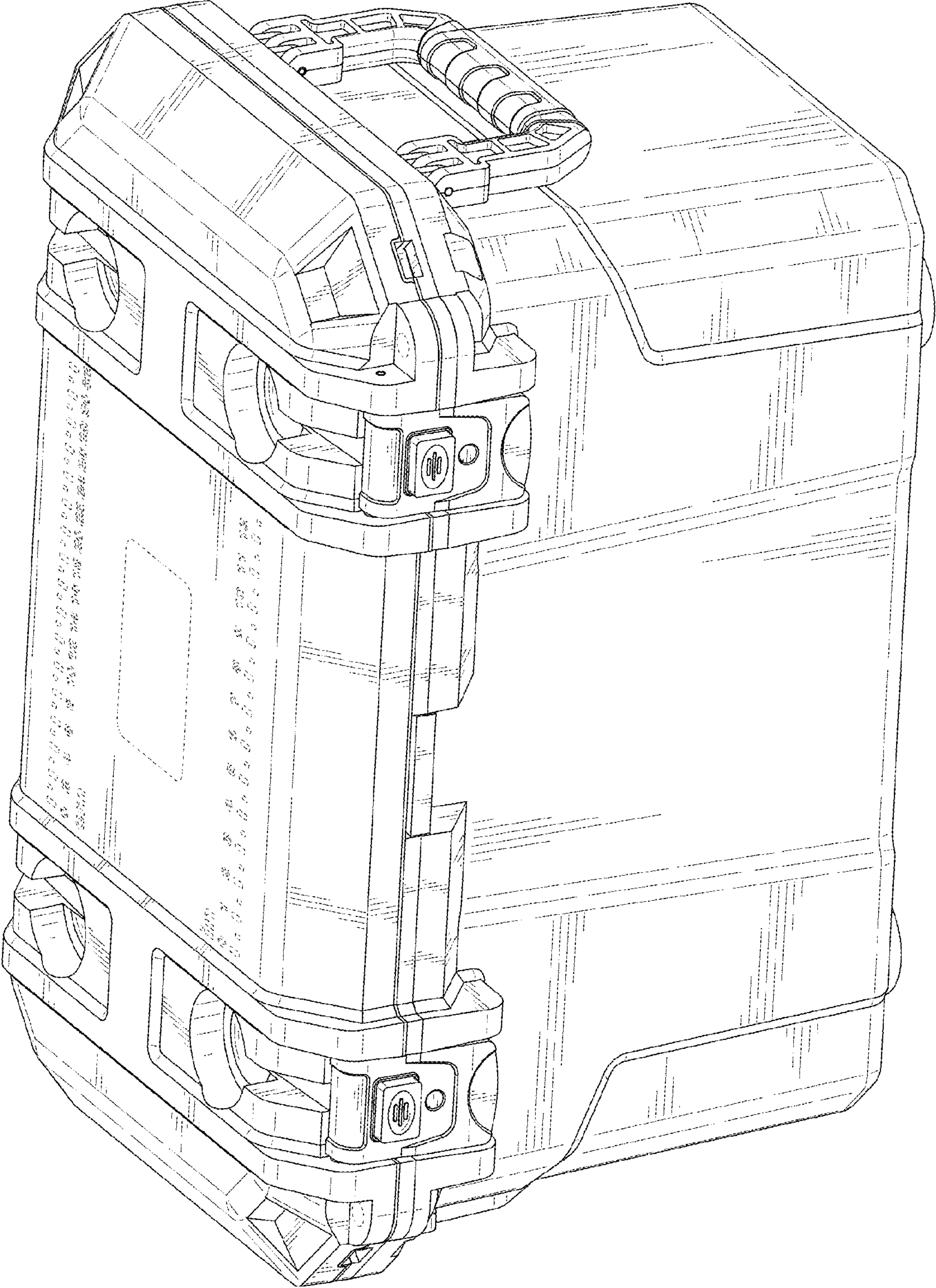


FIG. 1

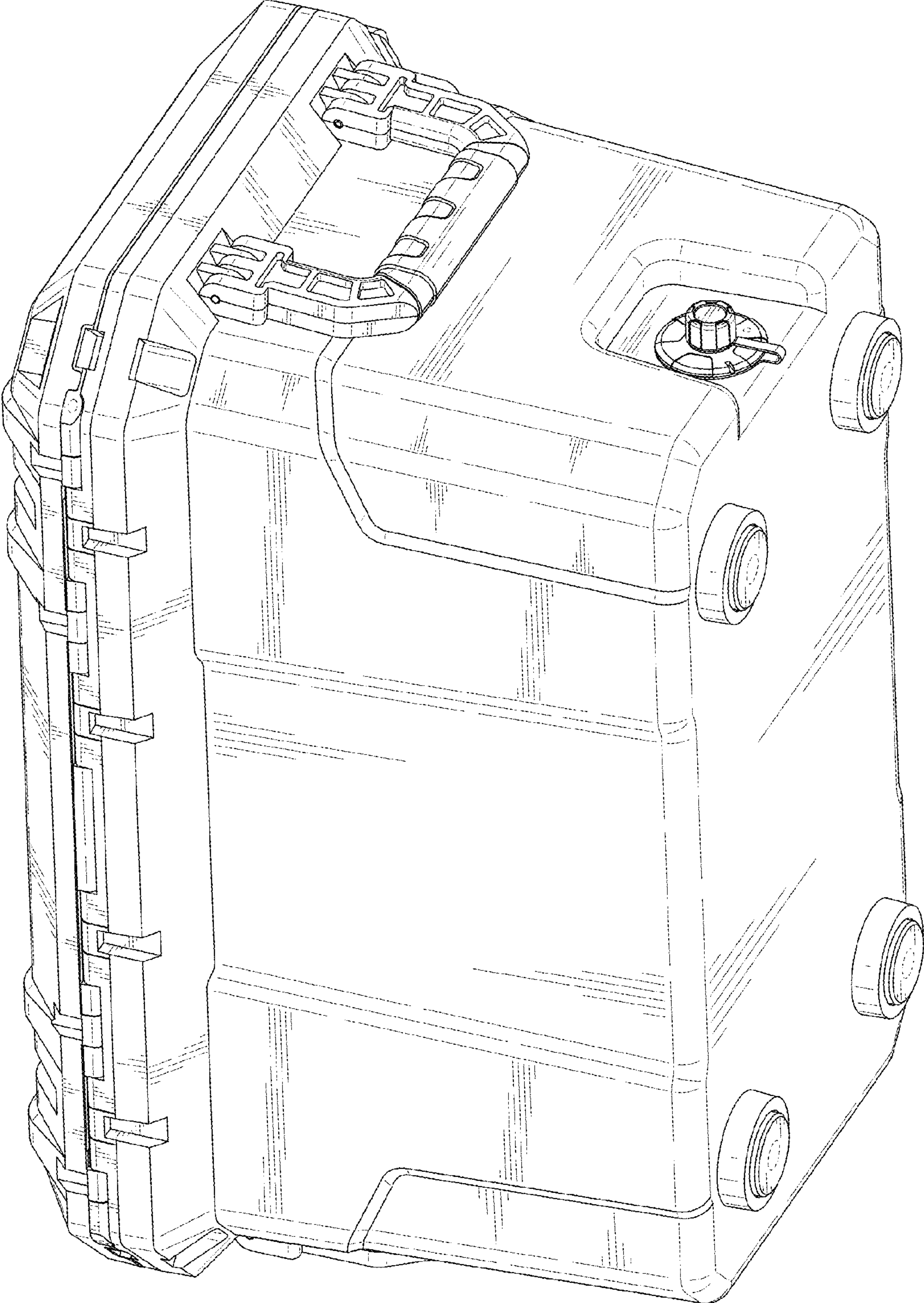


FIG. 2

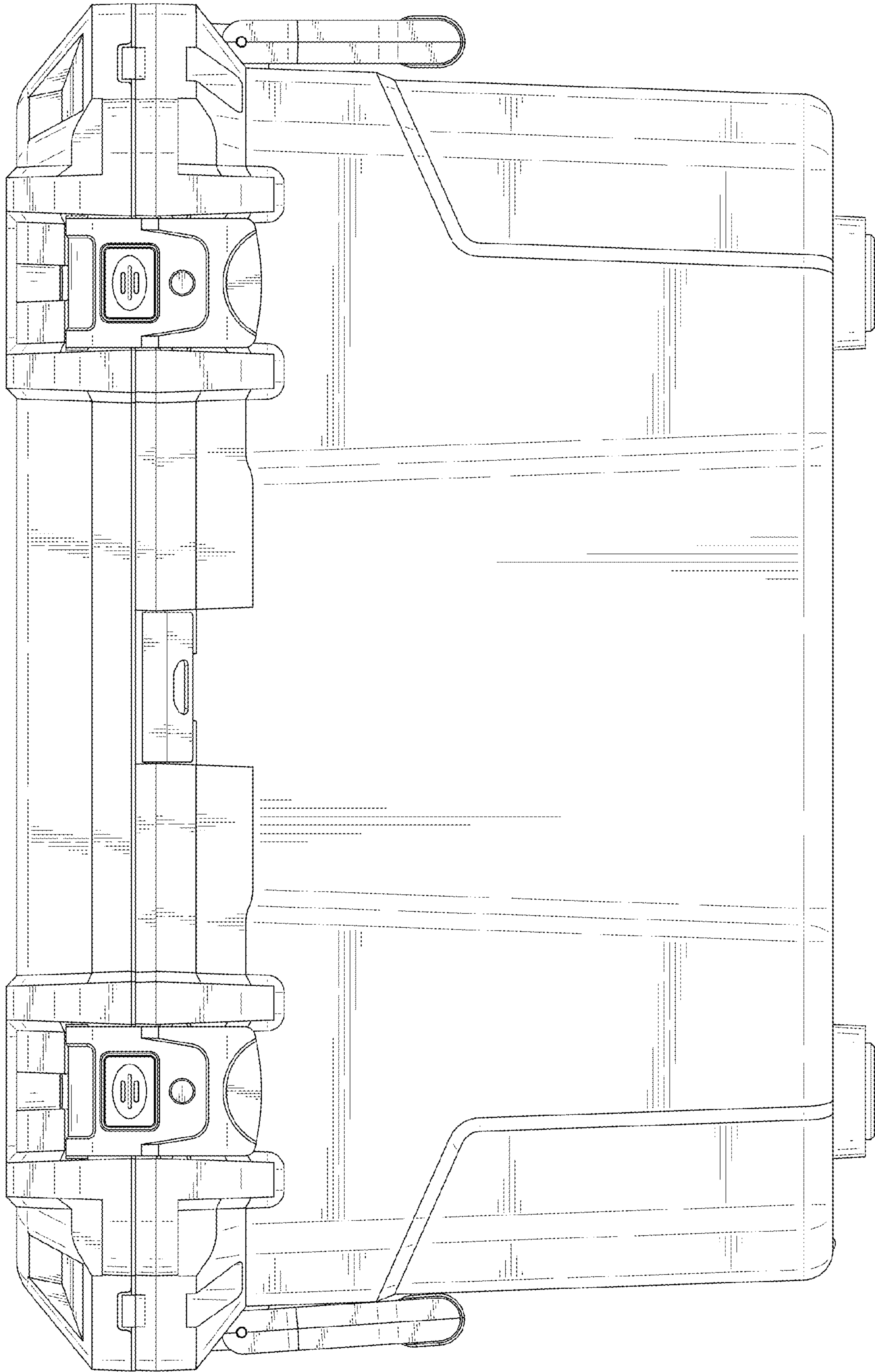


FIG. 3

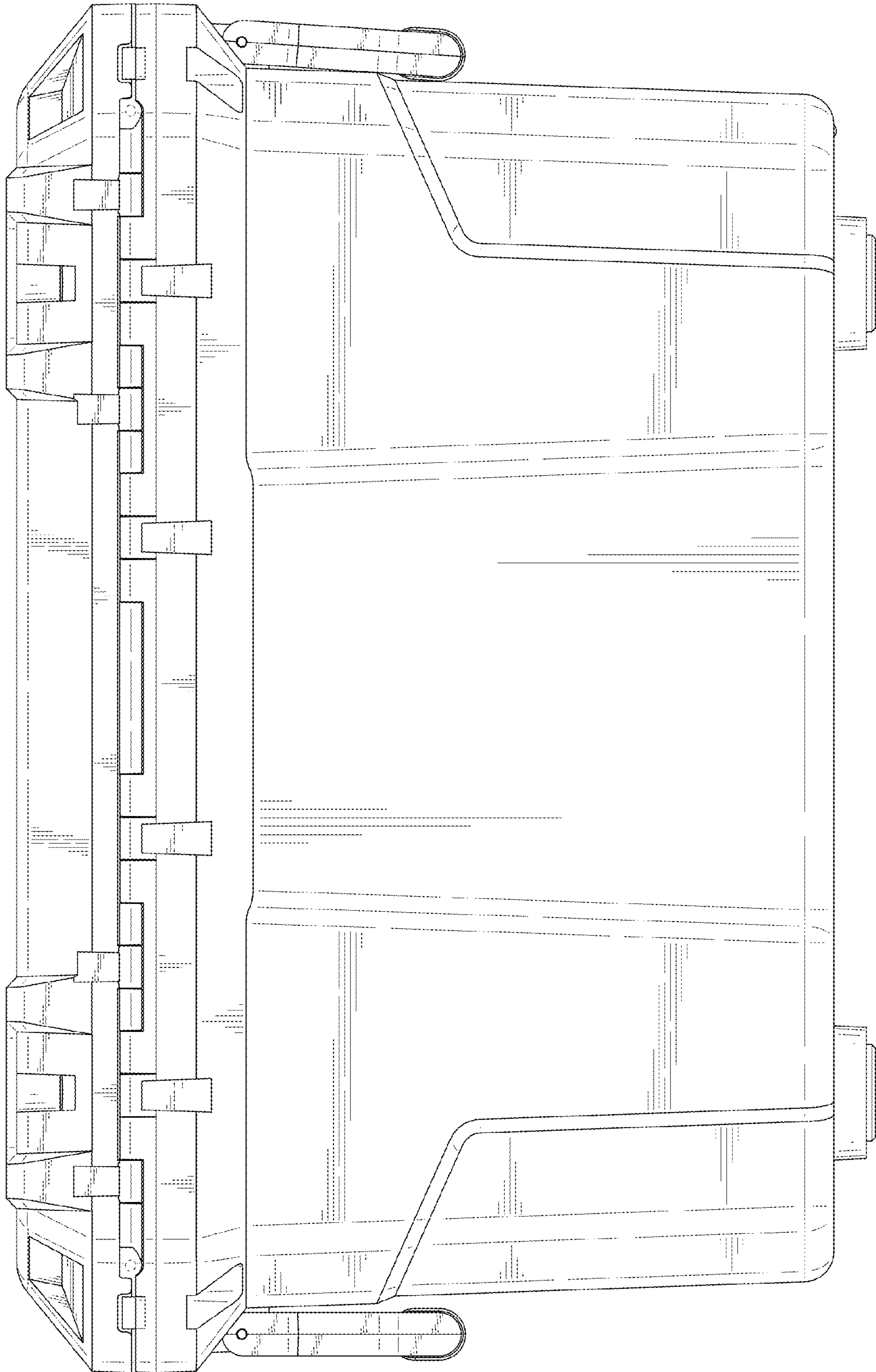


FIG. 4

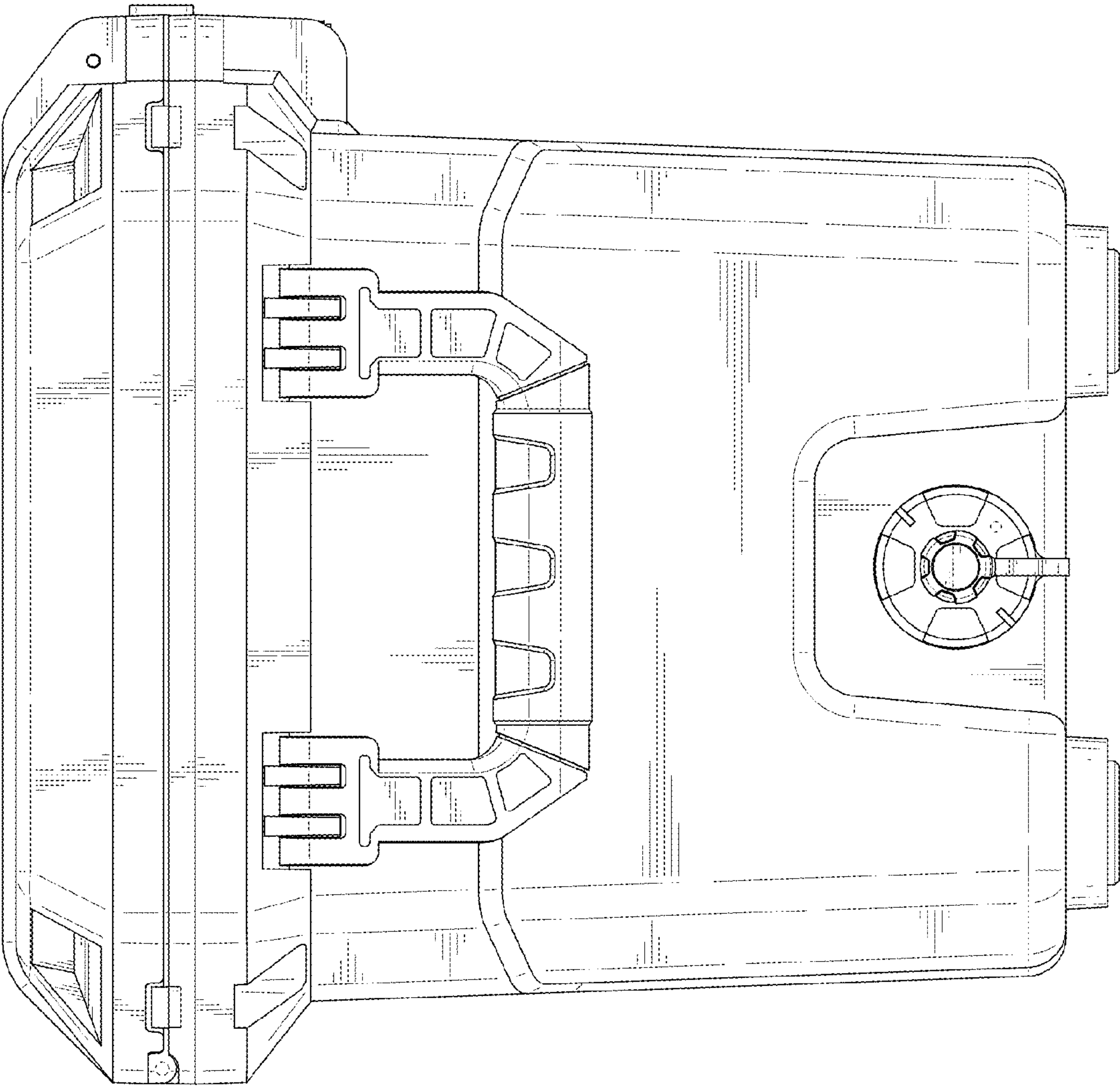


FIG. 5

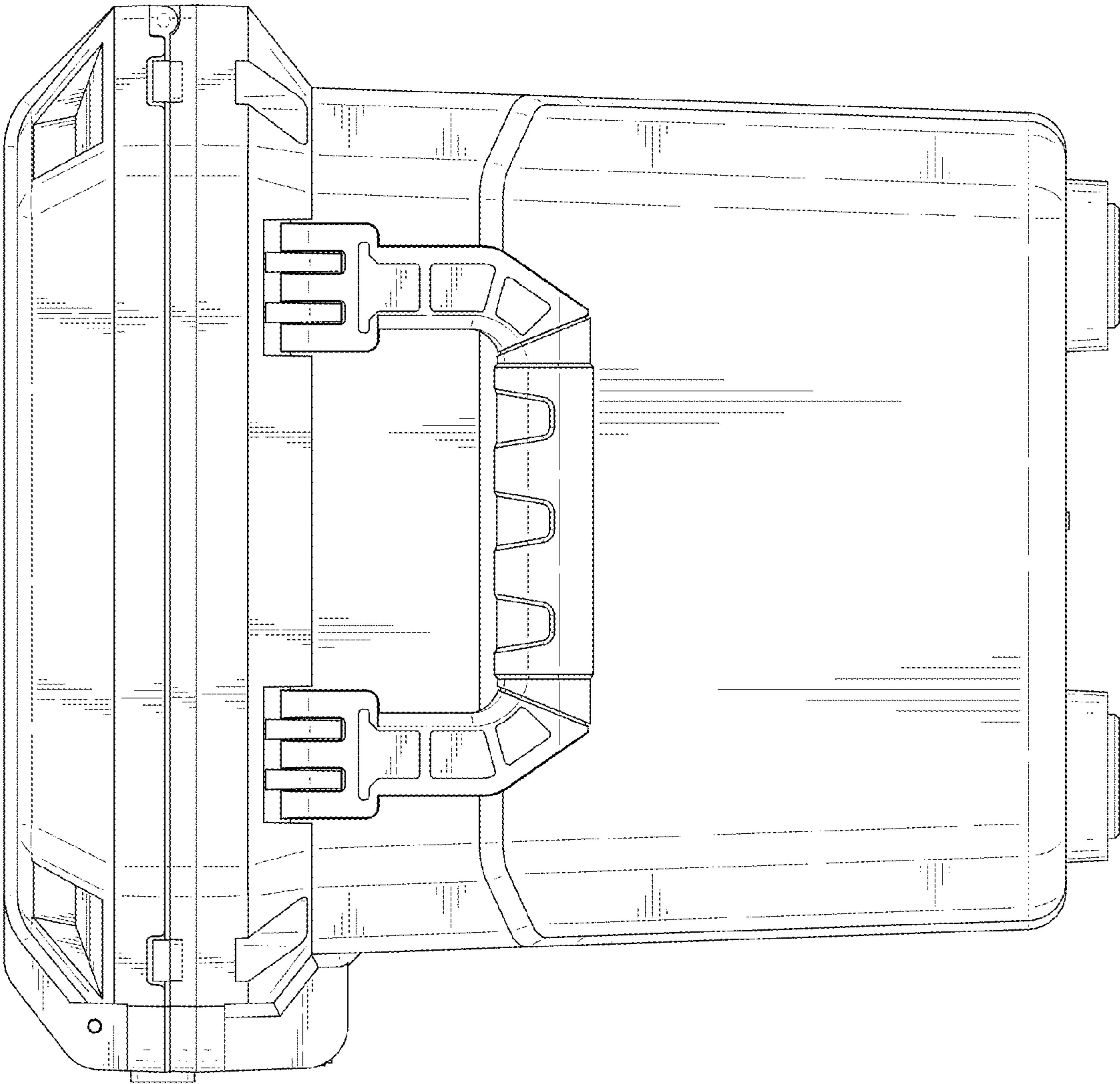


FIG. 6

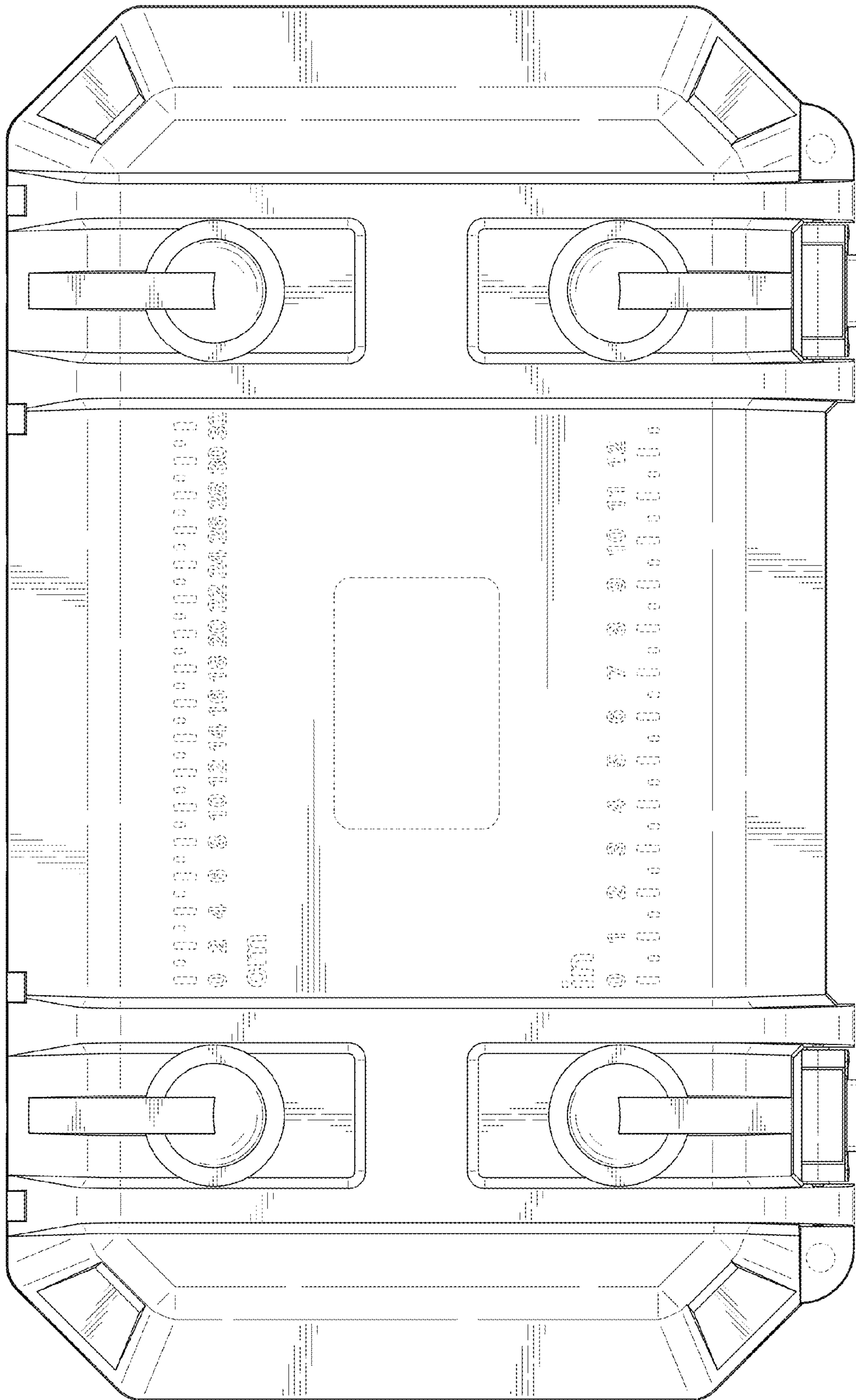


FIG. 7

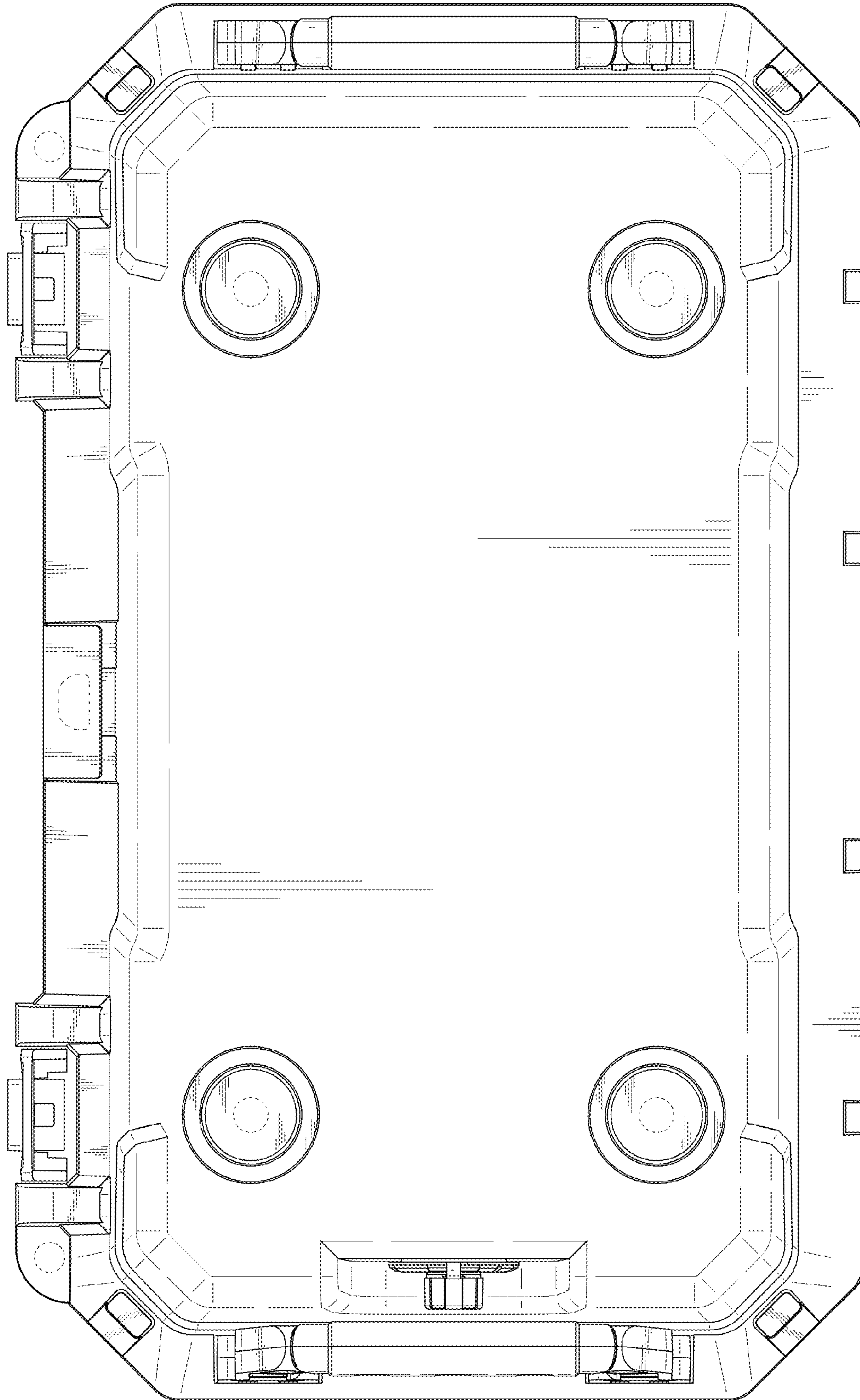


FIG. 8