



US00D948288S

(12) **United States Design Patent**  
**Aranda et al.**

(10) **Patent No.:** **US D948,288 S**  
(45) **Date of Patent:** **\*\* Apr. 12, 2022**

(54) **TUMBLER**

(71) Applicant: **THERMOS L.L.C.**, Schaumburg, IL (US)  
(72) Inventors: **Freddy Aranda**, Chicago, IL (US);  
**Audra Norvilas**, Palos Park, IL (US)  
(73) Assignee: **Thermos L.L.C.**, Schaumburg, IL (US)  
(\*\*) Term: **15 Years**  
(21) Appl. No.: **29/731,203**

(22) Filed: **Apr. 13, 2020**  
(51) **LOC (13) Cl.** ..... **07-01**  
(52) **U.S. Cl.**  
USPC ..... **D7/511**; D7/608; D7/523  
(58) **Field of Classification Search**  
USPC ..... D7/507, 509, 510, 511, 529, 531, 532,  
D7/523, 533, 534, 535, 536, 392.1, 396.1,  
D7/396.2, 300.1, 608; D3/202  
CPC ..... A47G 19/22; A47G 19/2288; A47G  
19/2205; A47G 19/2211; A47G 19/2216;  
A47J 41/0077; A47J 41/0088; A47J  
43/27; B65D 1/265  
See application file for complete search history.

(56) **References Cited**

**U.S. PATENT DOCUMENTS**

D283,011 S \* 3/1986 Moloney ..... D9/556  
D372,166 S \* 7/1996 Michaeli ..... D7/523  
(Continued)

**FOREIGN PATENT DOCUMENTS**

JP D1681529 \* 3/2021  
KR 300947342.0000 \* 3/2018  
(Continued)

**OTHER PUBLICATIONS**

20oz matte stainless steel tumbler \_ Five Below \_ let go & have fun  
URL: <https://www.fivebelow.com/products/20oz-stainless-steel-matte-tumbler> (site visited: Aug. 2021) (Year: 2021).\*  
(Continued)

*Primary Examiner* — Jae Liang  
*Assistant Examiner* — Tia Ruth-Renee Polidori  
(74) *Attorney, Agent, or Firm* — Polsinelli PC

(57) **CLAIM**

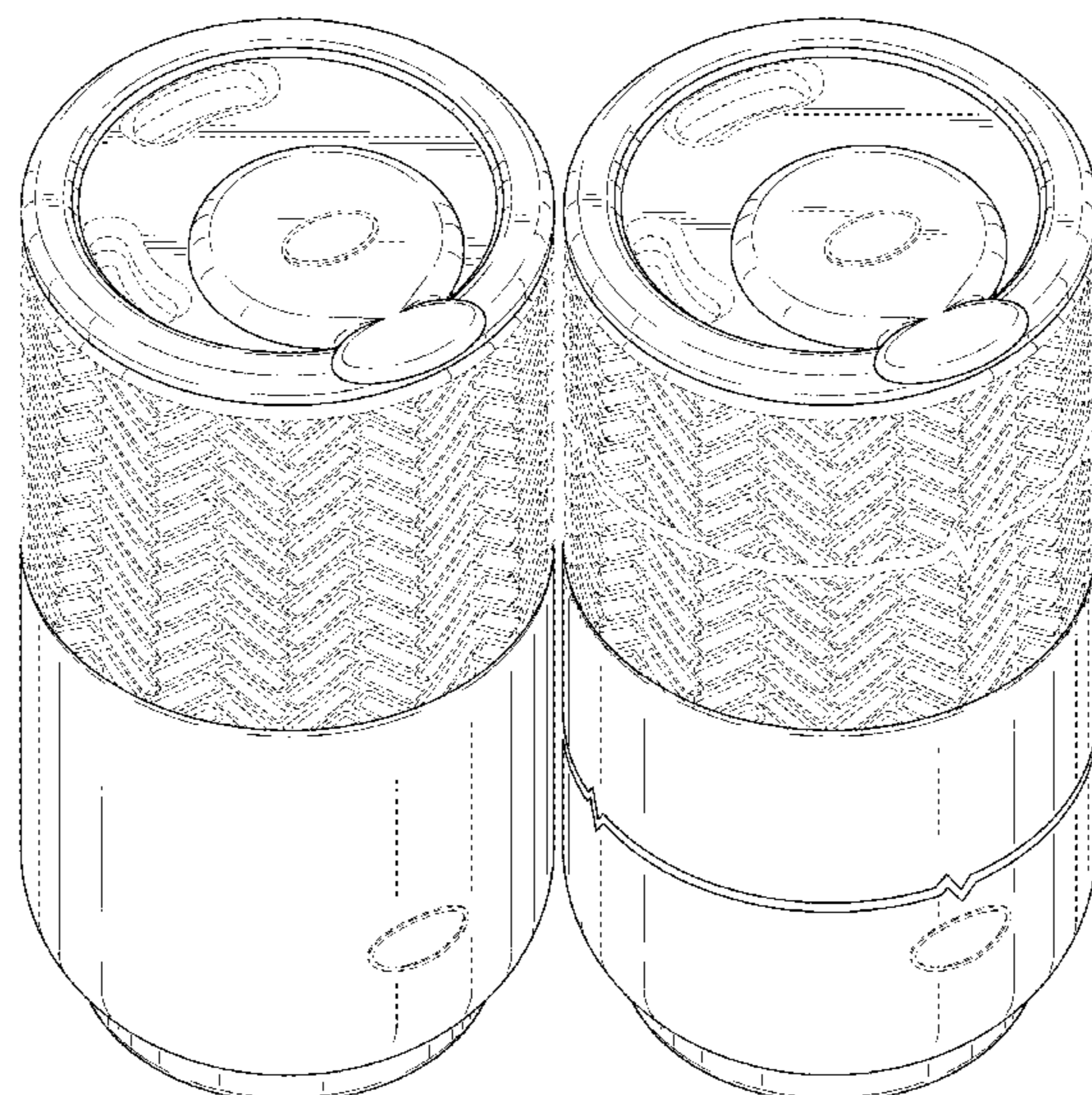
The ornamental design for a tumbler, as shown and described.

**DESCRIPTION**

FIG. 1 is a perspective view of a first embodiment of a tumbler;  
FIG. 2 is a front view thereof;  
FIG. 3 is a rear view thereof;  
FIG. 4 is a left side view thereof;  
FIG. 5 is a right side view thereof;  
FIG. 6 is a top view thereof;  
FIG. 7 is a bottom view thereof;  
FIG. 8 is a perspective view of a second embodiment of a tumbler;  
FIG. 9 is a front view thereof;  
FIG. 10 is a rear view thereof;  
FIG. 11 is a left side view thereof;  
FIG. 12 is a right side view thereof;  
FIG. 13 is a top view thereof; and,  
FIG. 14 is a bottom view thereof.

The broken lines showing in the figures are included for the purpose of illustrating portions of the tumbler that form no part of the claimed design. The dash-dot lines showing in the figures are included for defining the bounds of the claimed design that form no part thereof. The tumbler is shown with a symbolic break in its length. The appearance of any portion of the article between the break lines forms no part of the claimed design.

**1 Claim, 12 Drawing Sheets**



(56)

References Cited

U.S. PATENT DOCUMENTS

D702,086 S \* 4/2014 Thurlow ..... D7/510  
 D721,540 S \* 1/2015 Grcic ..... D7/511  
 D721,921 S \* 2/2015 Stokols ..... D7/511  
 D728,314 S \* 5/2015 Carstensen ..... D7/510  
 D741,657 S \* 10/2015 George ..... D7/510  
 D808,732 S \* 1/2018 Boroski ..... D7/608  
 D820,044 S \* 6/2018 Jenkins ..... D7/510  
 D876,893 S \* 3/2020 Xu ..... D7/510  
 D878,160 S \* 3/2020 Corbet ..... D7/523  
 D881,014 S \* 4/2020 Butcher ..... D9/516  
 D899,874 S \* 10/2020 Lane ..... D7/629  
 D914,508 S \* 3/2021 Chen ..... D9/553  
 2016/0174743 A1 \* 6/2016 Childs ..... A47G 19/2288  
 220/740  
 2019/0308782 A1 \* 10/2019 Lane ..... B65D 81/3841  
 2020/0253401 A1 \* 8/2020 Haas ..... A47G 19/2216  
 2020/0331692 A1 \* 10/2020 Orchard ..... B65D 77/2032

FOREIGN PATENT DOCUMENTS

KR 301120841.0000 \* 7/2021  
 WO WOD100941-013 \* 5/2018

OTHER PUBLICATIONS

Darunaxy Collapsible Travel [online] URL: <https://www.amazon.com/Curve-Screen-Protector-Samsung-S9-Y463/dp/B07NYZFS3R/> (site visited: Aug. 20, 2021) (Year: 2019).\*  
 China Wholesale 17oz Vacuum Insulated Tumbler [online] URL: <https://www.globalsources.com/Stainless-steel/stainless-steel-coffee-mug-1185364401p.htm#1185364401> (site visited: Aug. 20, 2021) (Year: 2019).\*  
 12 ounce Straight Wine Sublimation Tumbler—Madam Glitter [online] URL: <https://madamglitter.com/collections/cups/products/12-ounce-straight-wine-sublimation-tumbler> (site visited: Aug. 20, 2021) (Year: 2021).\*

\* cited by examiner



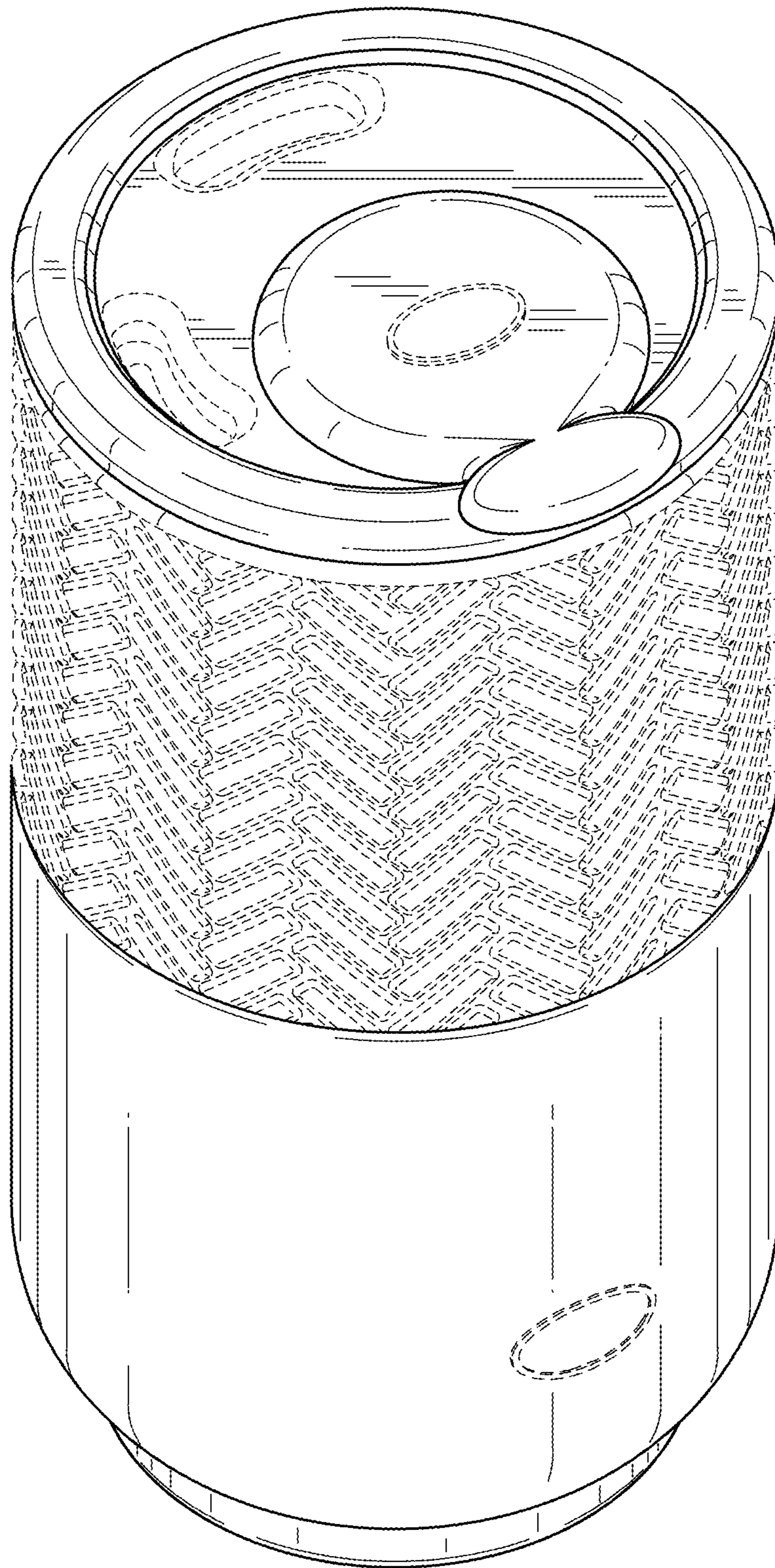


FIG. 1

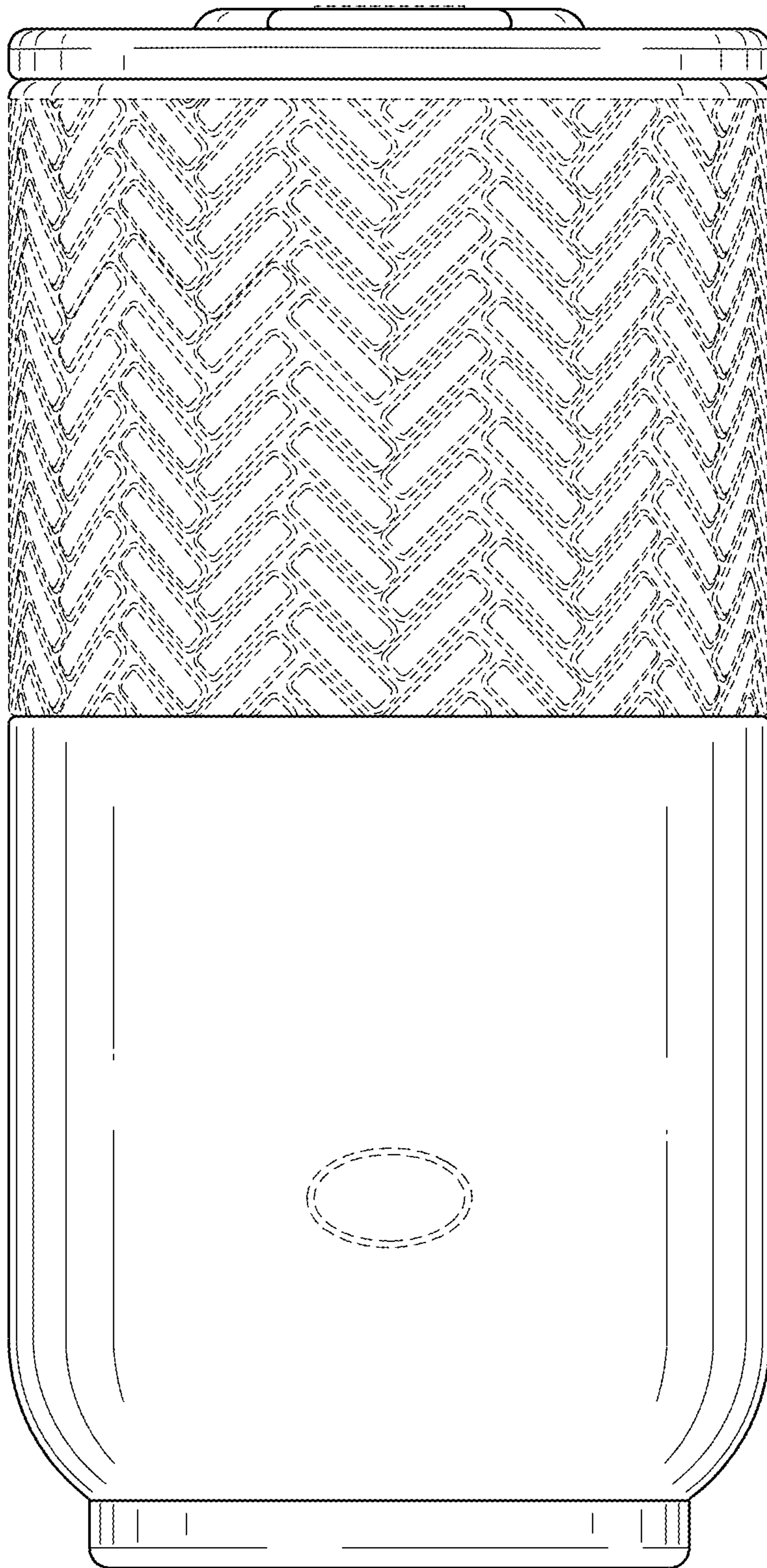


FIG. 2



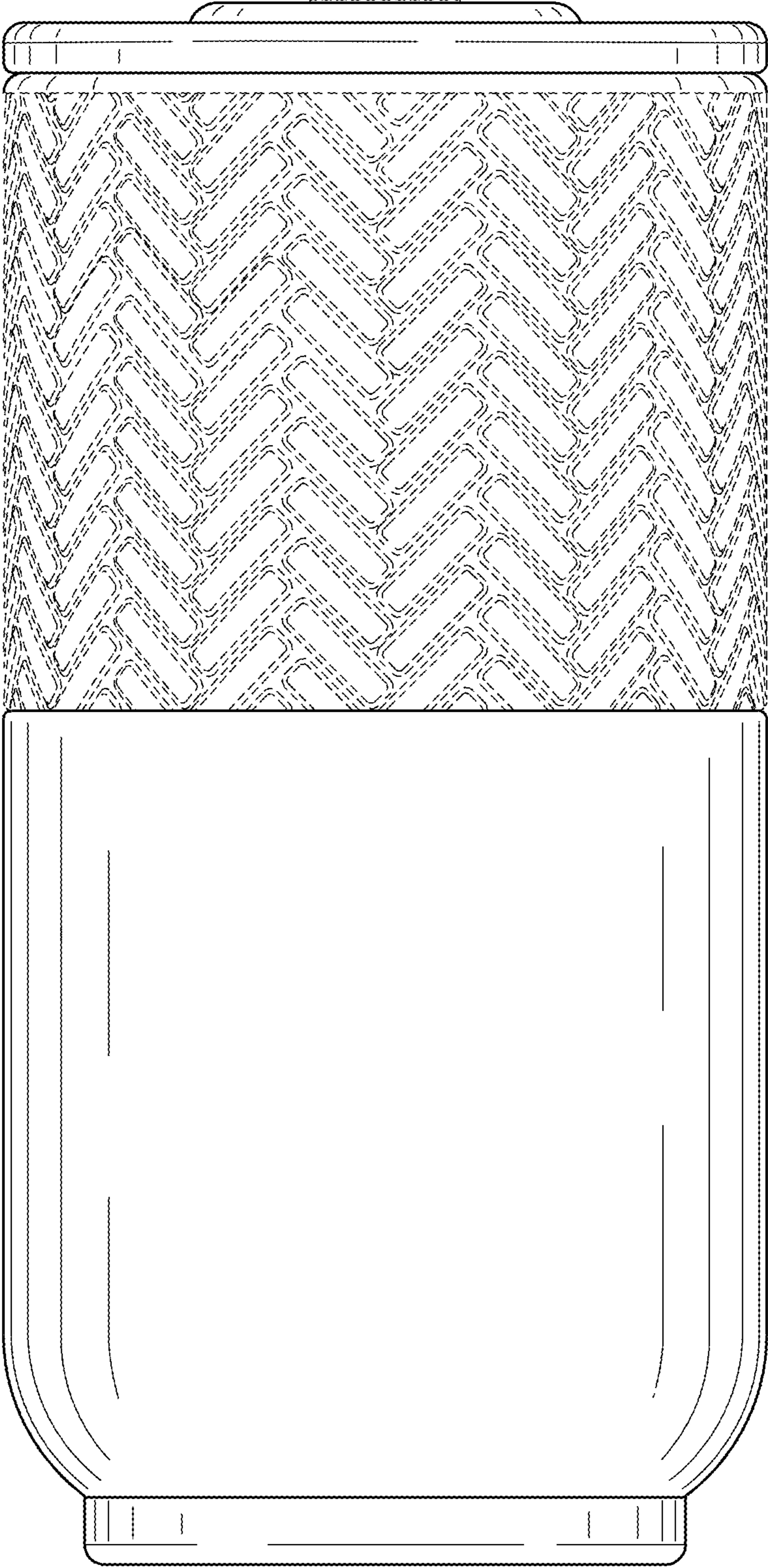


FIG. 3

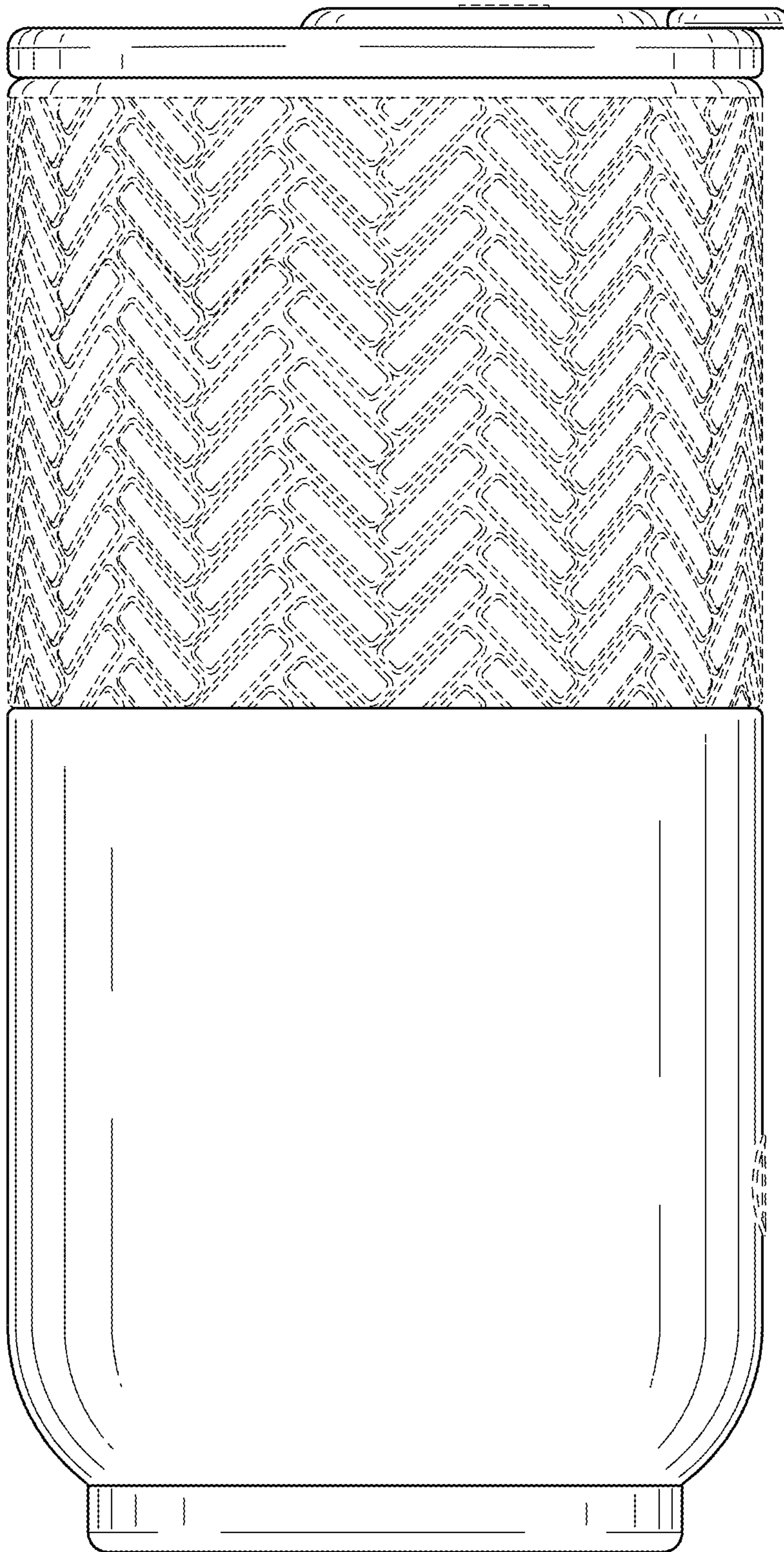


FIG. 4



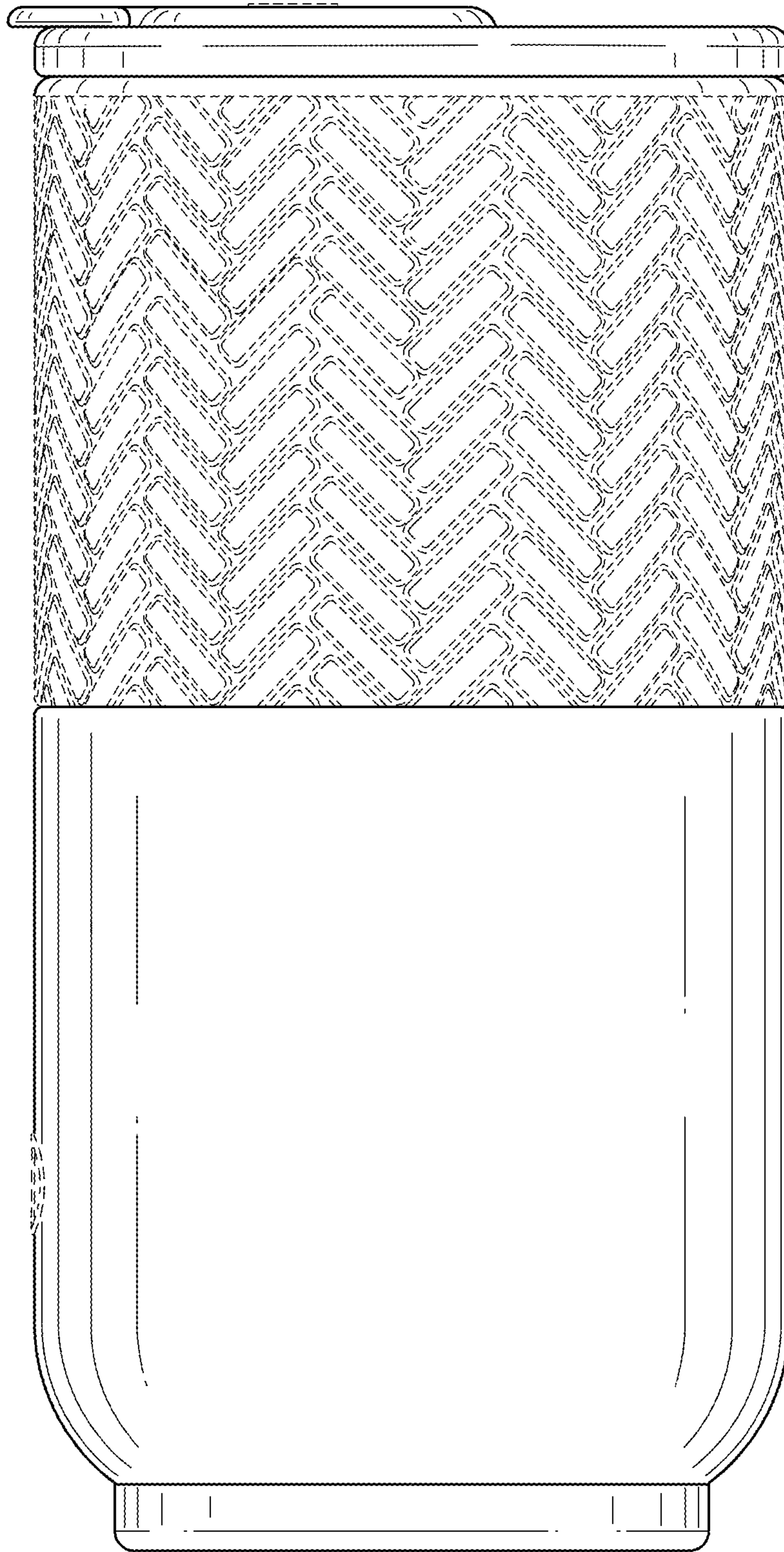


FIG. 5

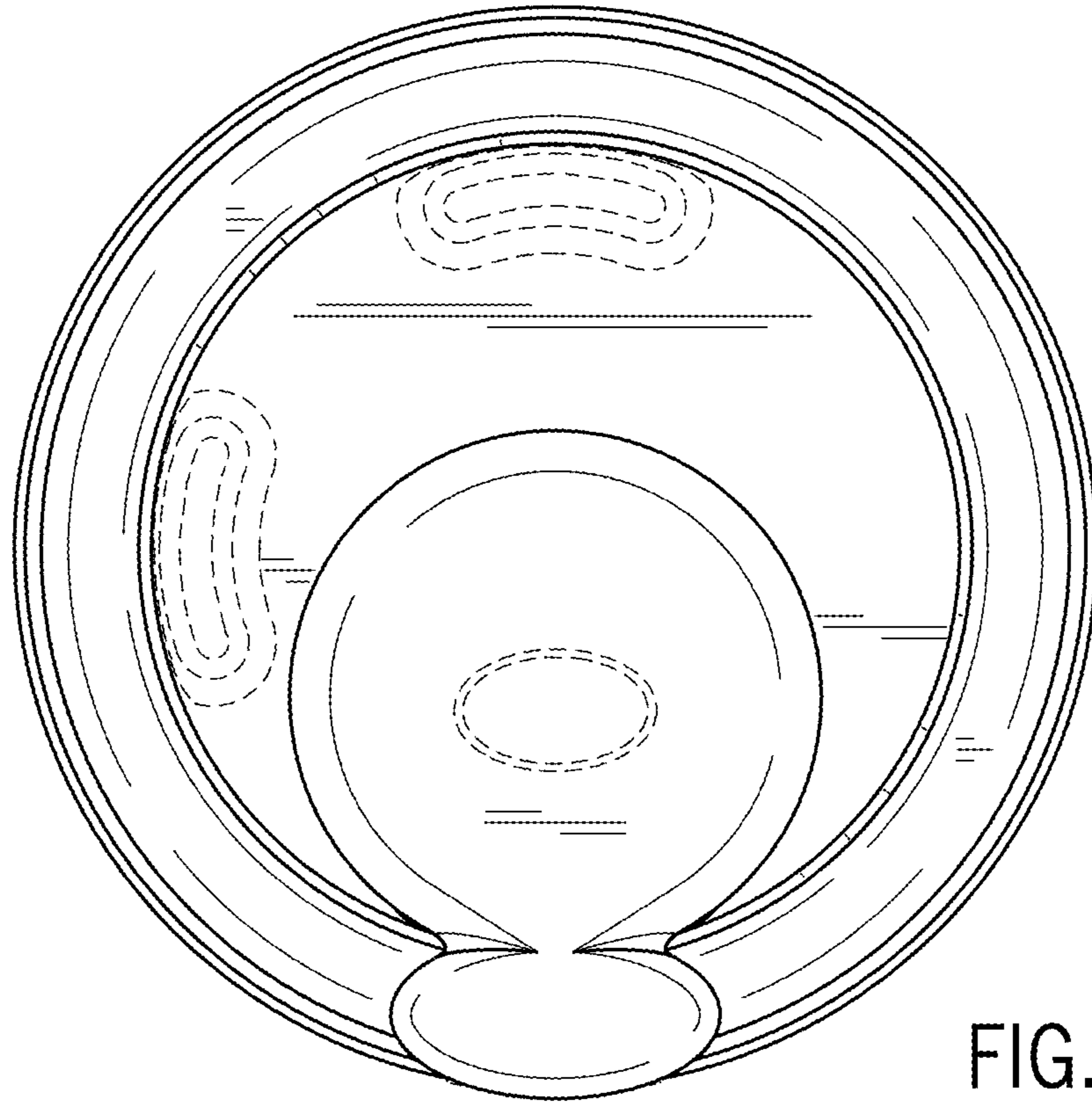


FIG. 6

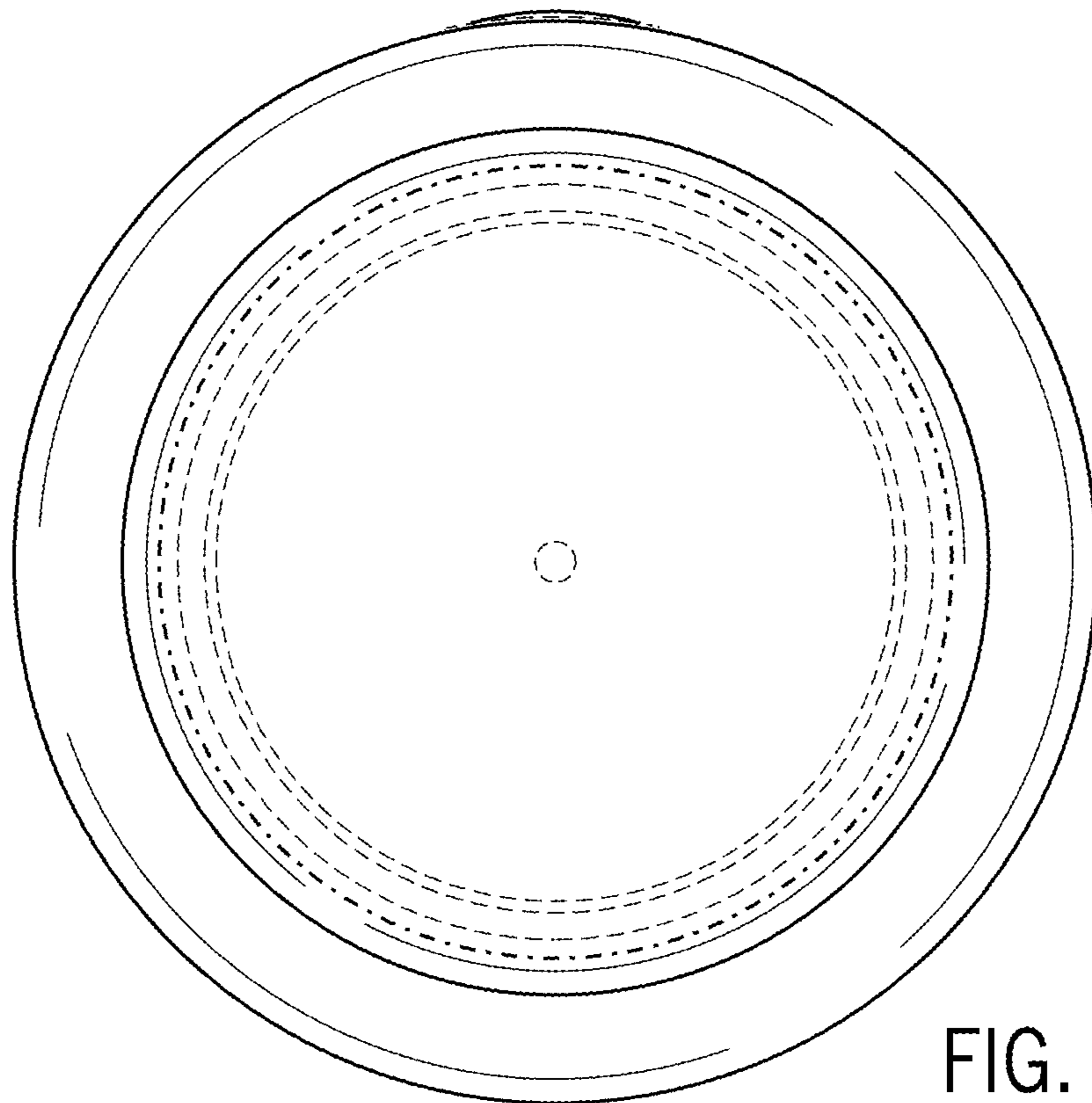


FIG. 7



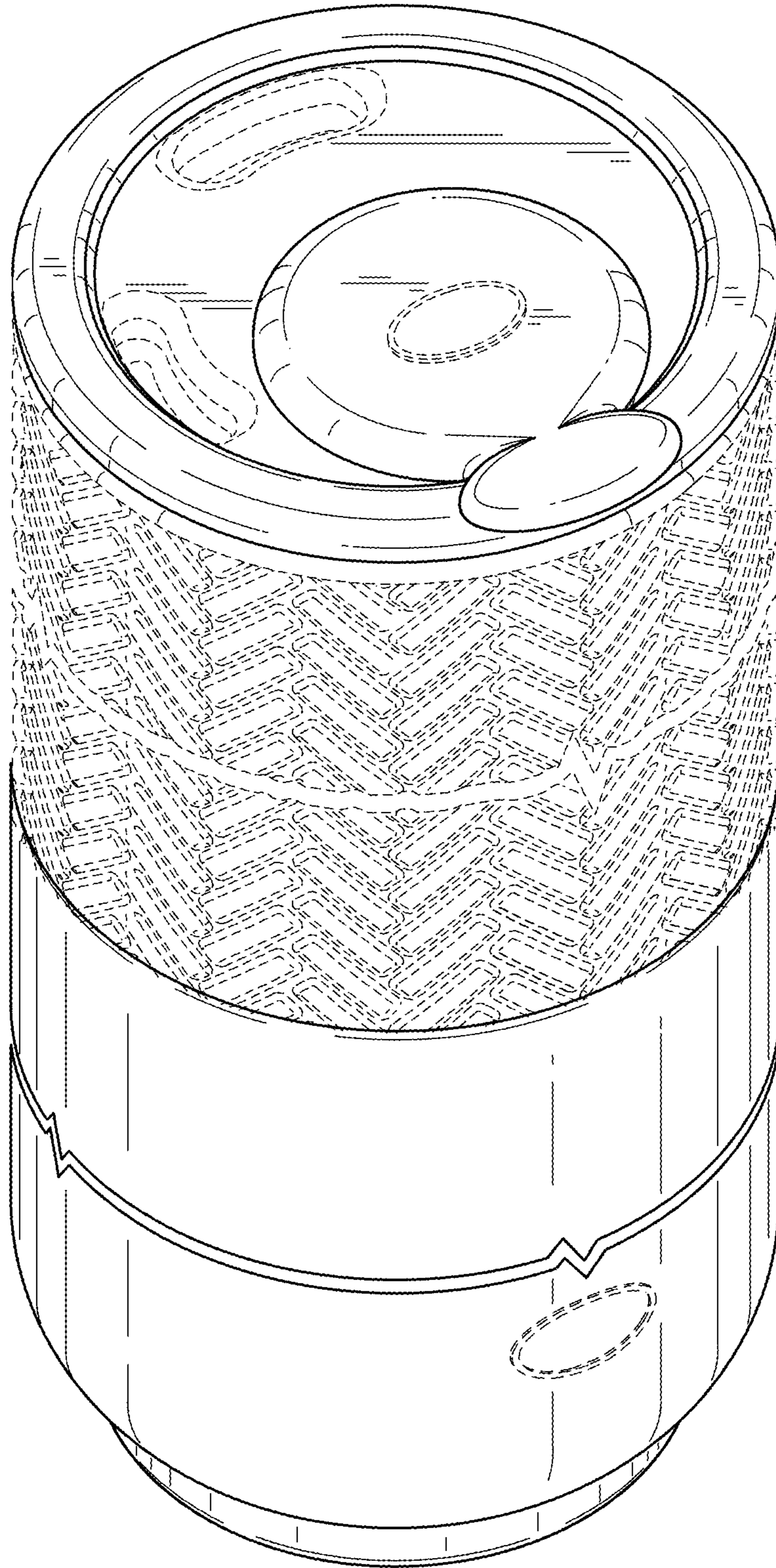


FIG. 8

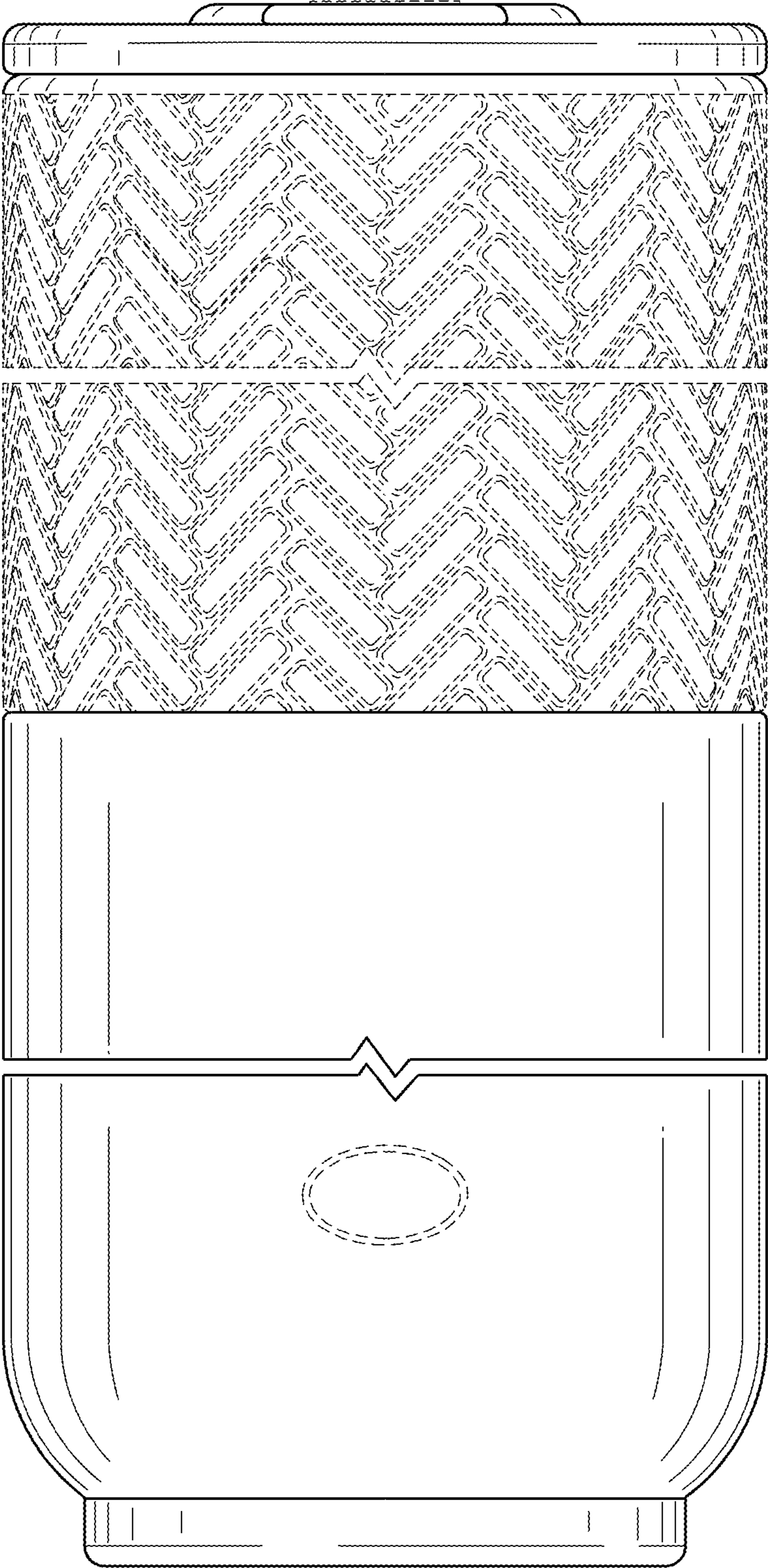


FIG. 9



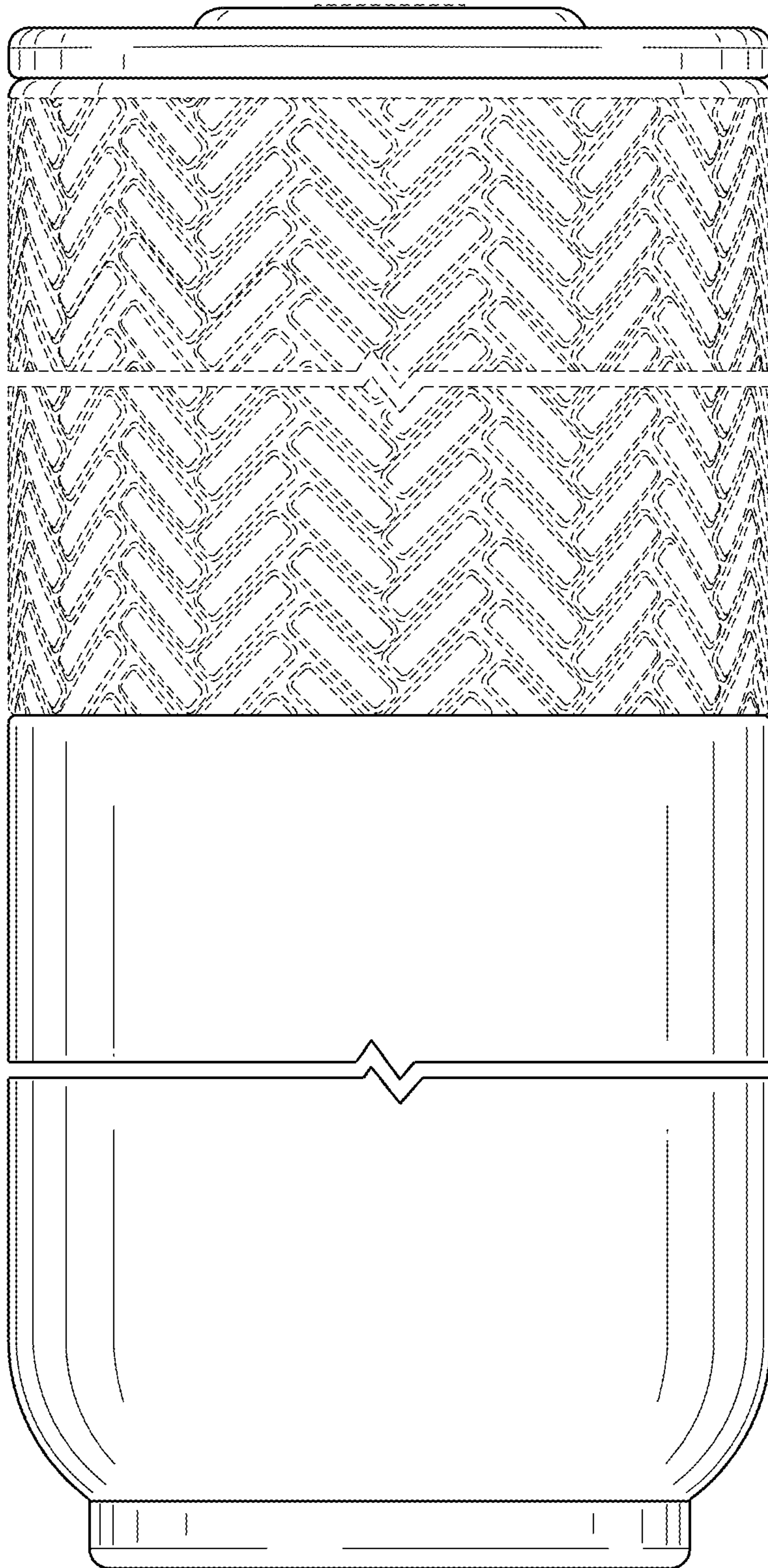


FIG. 10

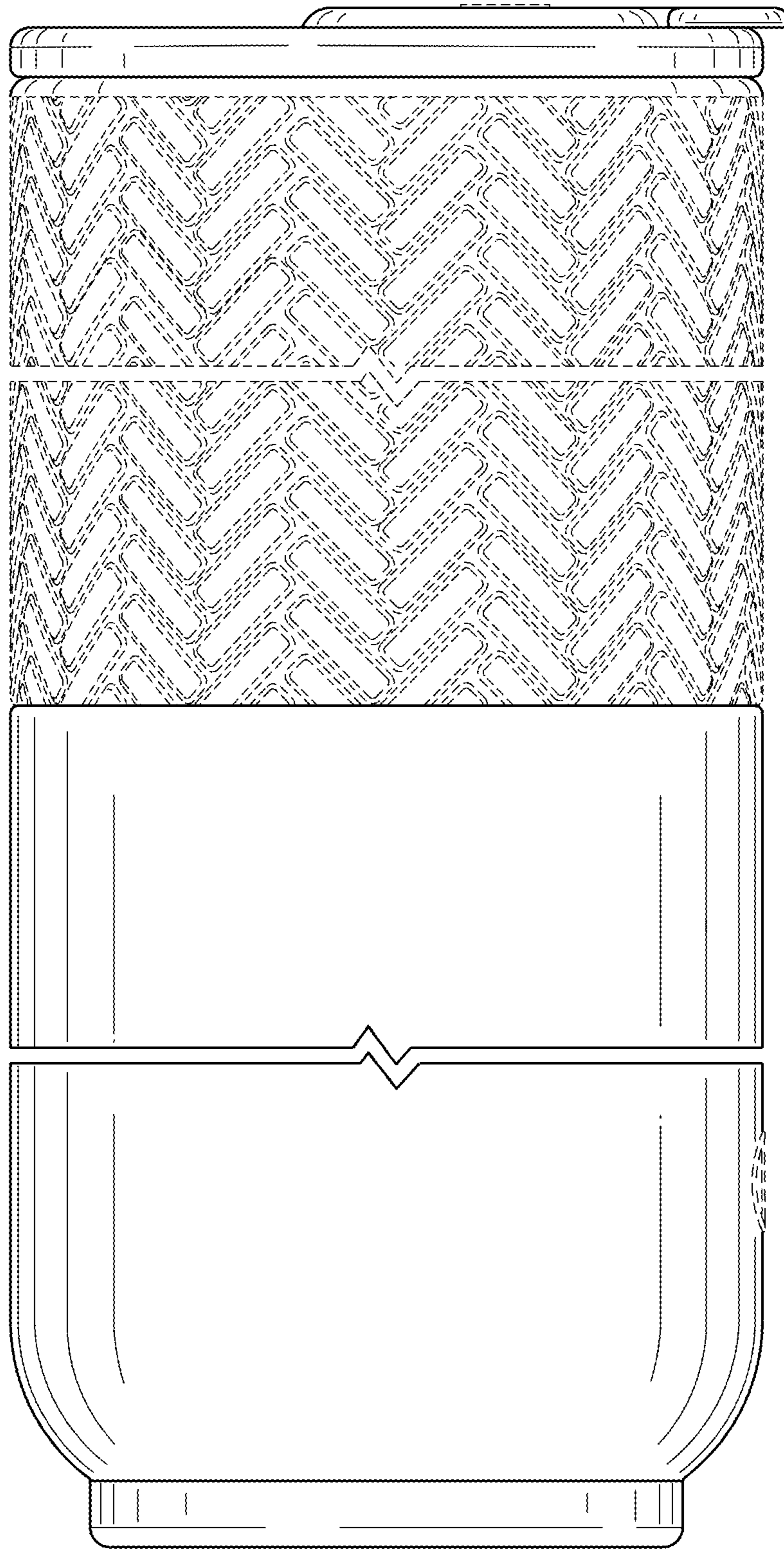


FIG. 11



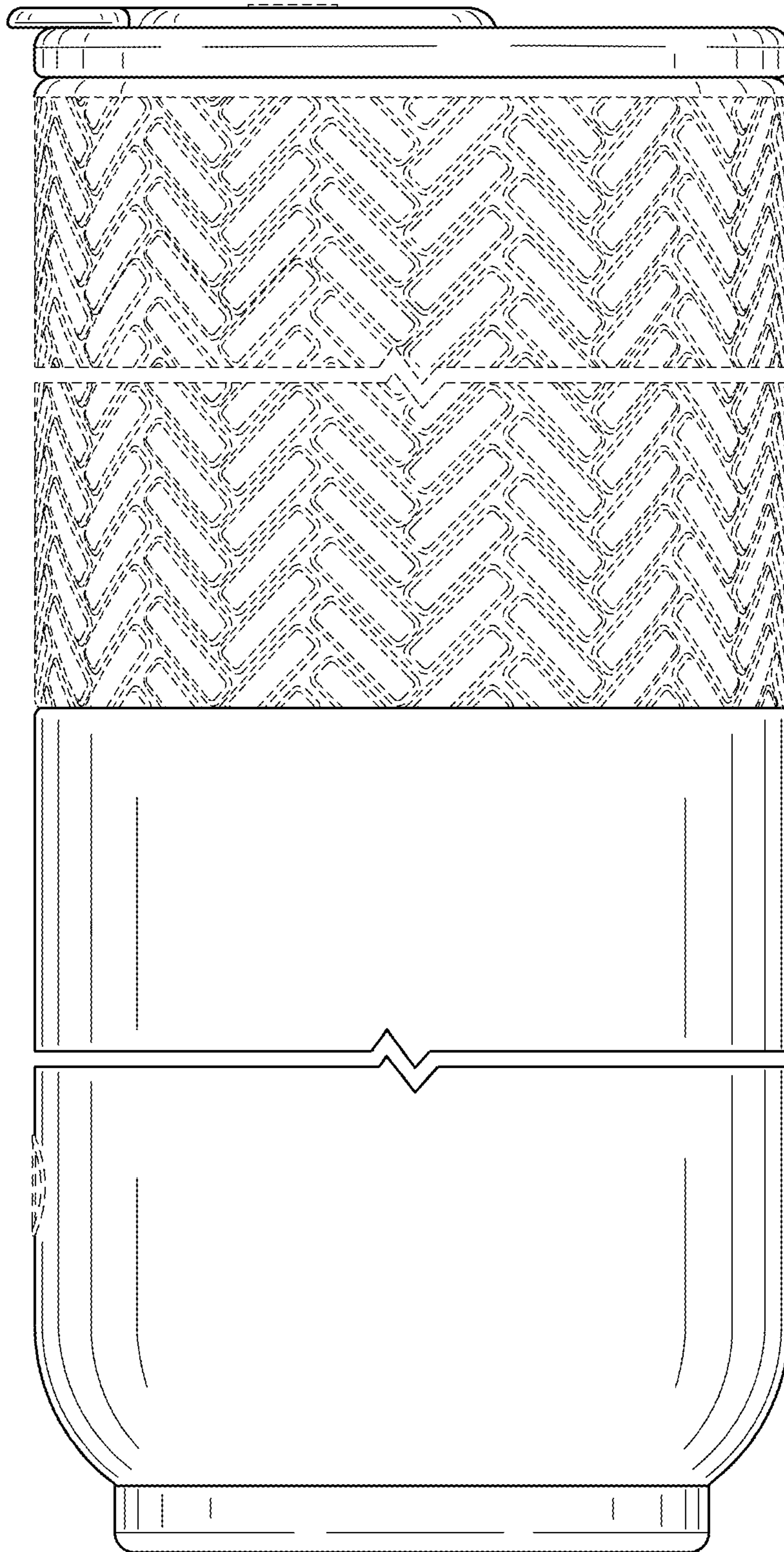


FIG. 12

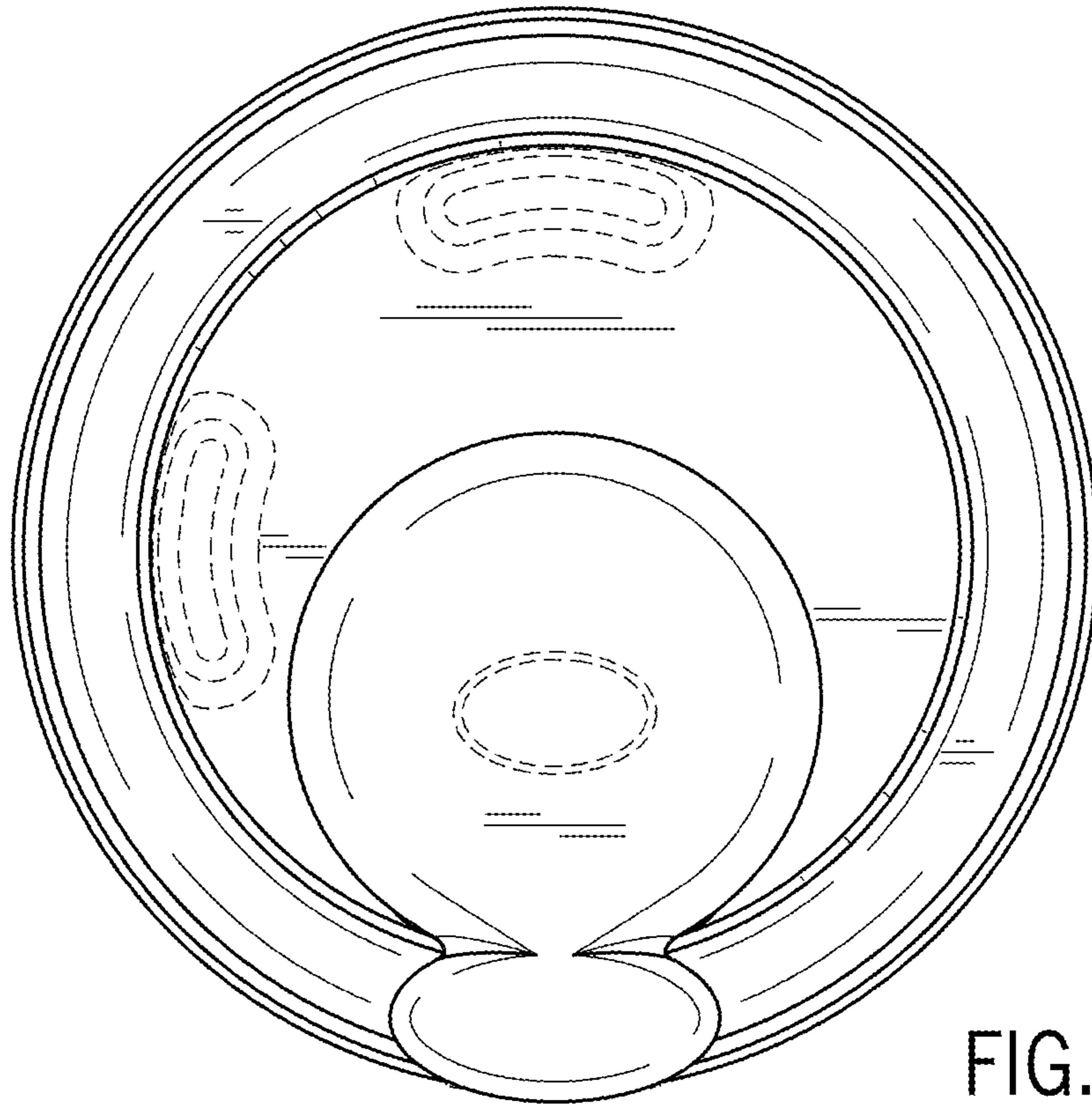


FIG. 13

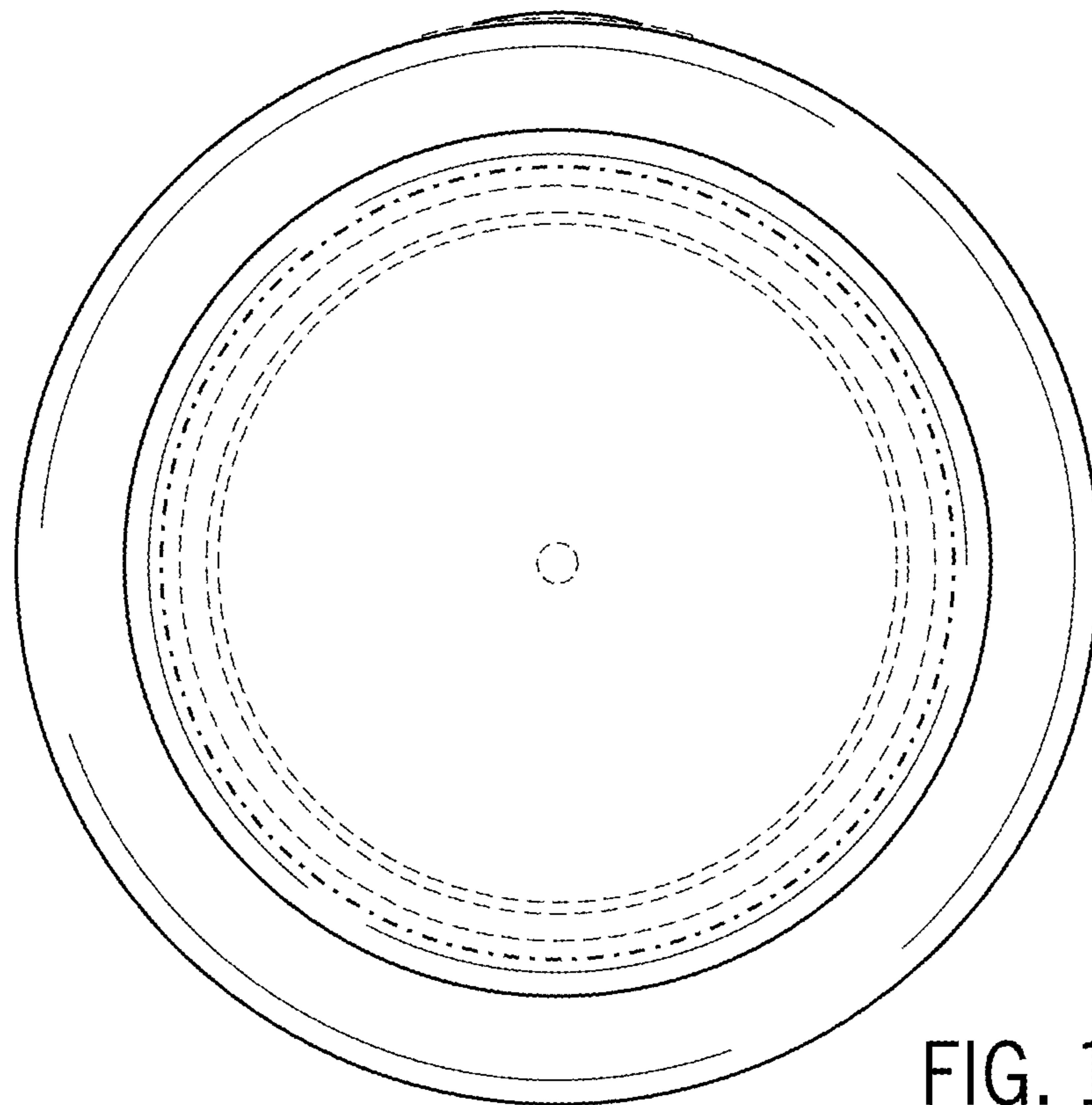


FIG. 14