



US00D948286S

(12) **United States Design Patent** (10) **Patent No.:** **US D948,286 S**
Lin (45) **Date of Patent:** **** Apr. 12, 2022**

(54) **BOTTLE**

FOREIGN PATENT DOCUMENTS

(71) Applicant: **Shenzhen Zhongmin Technology Co., Ltd.**, Guangdong (CN)

CH 142787-0001 * 12/2016
CN 303427653 * 11/2015

(Continued)

(72) Inventor: **Yitong Lin**, Guangdong (CN)

OTHER PUBLICATIONS

(73) Assignee: **Shenzhen Zhongmin Technology Co., Ltd.**, Shenzhen (CN)

Vargo Outdoors, "Vargo Titanium Water Bottle with Titanium Lid," Jun. 7, 2013, Amazon.com, www.amazon.com/Vargo-Titanium-Water-Bottle-Lid/dp/B00DXNY4AI (Year: 2013).*

(Continued)

(**) Term: **15 Years**

(21) Appl. No.: **29/719,335**

(22) Filed: **Jan. 3, 2020**

Primary Examiner — Shannon W Morgan

Assistant Examiner — Arva P Adams

(30) **Foreign Application Priority Data**

Nov. 29, 2019 (CN) 201930664242.4

(51) **LOC (13) Cl.** **07-01**

(57) **CLAIM**

(52) **U.S. Cl.**

USPC **D7/511**; D7/533; D7/608; D9/549

The ornamental design for a bottle, as shown and described.

(58) **Field of Classification Search**

USPC D3/202; D7/300, 300.1, 392, 392.1,

D7/396.1, 396.2, 396.3, 506, 507,

D7/509-511, 513-516, 523-525, 528,

D7/529, 530-537, 608, 619.2, 620, 623,

D7/624.1, 624.2, 624.3, 900; D9/436,

D9/447, 449, 454, 500-505, 513, 514,

D9/516, 517, 531, 539, 549, 551, 575,

D9/651; D11/149; D24/197, 224

CPC A45F 3/20; A47G 19/22; A47G 19/2205;

A47G 19/2211; A47G 19/2227; A47G

19/2261; A47G 19/2266; A47G 19/2272;

A47G 19/2288; A47G 21/18; A47G

21/184; A47G 21/185; A47G 23/0216;

A47G

(Continued)

DESCRIPTION

FIG. 1 is a front elevational view of a bottle showing my new design;

FIG. 2 is a rear elevational view thereof;

FIG. 3 is a left side view thereof;

FIG. 4 is a right side view thereof;

FIG. 5 is a top plan view thereof;

FIG. 6 is a bottom plan view thereof;

FIG. 7 is a top, front and right side perspective view thereof; and,

FIG. 8 is a bottom, rear and left side perspective view thereof.

The broken lines and areas within the broken lines depict portions of the bottle that form no part of the claimed design.

The surface immediately outside and adjacent to the broken lines in FIGS. 6 and 8 forms no part of the claimed design.

(56) **References Cited**

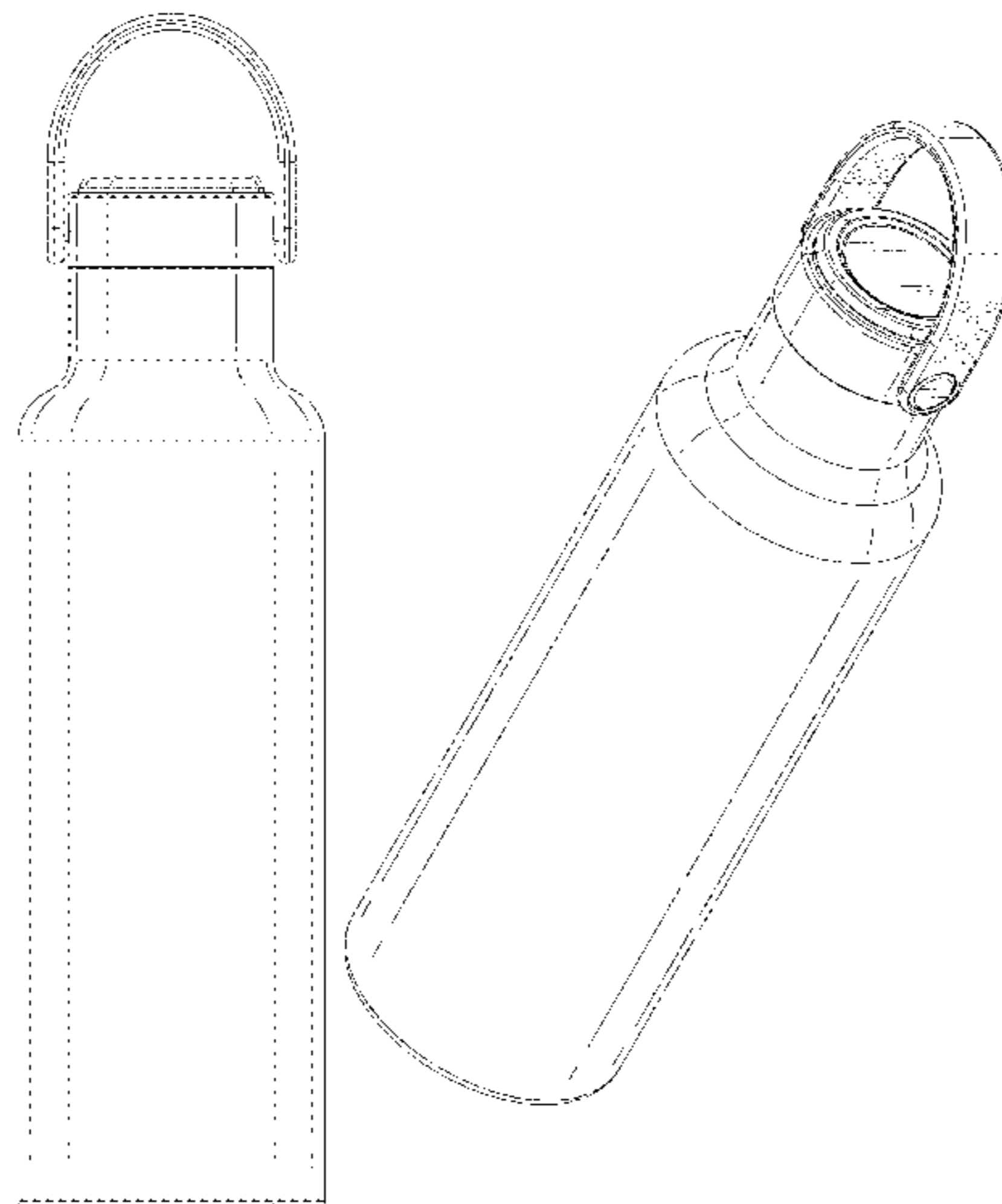
U.S. PATENT DOCUMENTS

D620,357 S * 7/2010 Jewett D9/443

D655,571 S * 3/2012 Tuttle D7/510

(Continued)

1 Claim, 8 Drawing Sheets



(58) **Field of Classification Search**

CPC 23/0233; A47G 23/0241; A47G 23/0258;
 A47J 41/0077; A47J 1/0088; B65D
 1/0223; B65D 1/265; B65D 51/245;
 B65D 51/28; B65D 77/0493; B65D
 81/3865

See application file for complete search history.

(56) **References Cited**

U.S. PATENT DOCUMENTS

D721,964 S * 2/2015 Rampley D9/500
 D724,385 S * 3/2015 Hurley D7/511
 D786,012 S * 5/2017 Hein D7/396.2
 D790,920 S * 7/2017 Goodwin B65D 51/242
 D7/510
 D804,906 S * 12/2017 Diener D7/510
 D812,428 S * 3/2018 Wu D7/510
 D830,783 S * 10/2018 Diener D7/608
 D857,456 S * 8/2019 Bell D7/511
 D861,430 S * 10/2019 Yueh D7/507
 D865,449 S * 11/2019 Jacobsen D7/511
 D865,450 S * 11/2019 Jacobsen D7/511
 D867,068 S * 11/2019 Jacobsen D7/511
 D877,571 S * 3/2020 Eyal D7/532
 D880,230 S * 4/2020 Jacobsen D7/396.2
 D885,823 S * 6/2020 Ayres D7/392
 D893,952 S * 8/2020 Jenkins D7/510
 D908,433 S * 1/2021 Sapire D7/531
 D911,111 S * 2/2021 Kauffman D7/523
 D929,182 S * 8/2021 McCabe D7/510
 D931,687 S * 9/2021 Volkoff D7/608
 2016/0318693 A1 * 11/2016 Hein B65D 51/242

FOREIGN PATENT DOCUMENTS

CN 305354285 * 9/2019
 CN 305756065 * 5/2020
 EM 001676677-0005 * 4/2010
 EM 002759605-0004 * 10/2015
 EM 003787290-0002 * 3/2017
 EM 006978664-0001 * 10/2019
 EM 007471453-0001 * 1/2020
 GB 9007471453-0001 * 1/2020
 GB 6094299 * 7/2020
 GB 9008037733-0001 * 7/2020
 JP D1609102 * 7/2018
 KR 300938361.0000 * 1/2018

OTHER PUBLICATIONS

Apple Green Baby, "Klean Kanteen 40 oz Stainless Steel Water Bottle with Loop Cap," Jan. 2, 2014, Amazon.com, www.amazon.com/dp/B00ANR23QY (Year: 2014).*

Elemental Bottles, "Are All Steel Water Bottles Created Equal? What You Should Look For," Jun. 5, 2018, Elemental Bottles, www.elementalbottles.com/blogs/news/are-all-steel-water-bottles-created-equal-what-you-should-look-for (Year: 2018).*

Acousticpaint, "My Cool New Water Bottle (HydroFlask Review)," Aug. 17, 2019, Acoustic Painters, https://acousticpaint.wordpress.com/2019/08/17/my-cool-new-water-bottle-hydro-flask-review/ (Year: 2019).*

Super Sparrow, "Introducing Our Newst Patterns," Aug. 19, 2021, Facebook, www.facebook.com/supersparrow/photos/878572886119695 (Year: 2021).*

Supersparrow, "Insulated water bottle supplier," Aug. 24, 2021, Issuu, https://issuu.com/supersparrow/docs/supersparrow_e1d448f1e0912e (Year: 2021).*

* cited by examiner

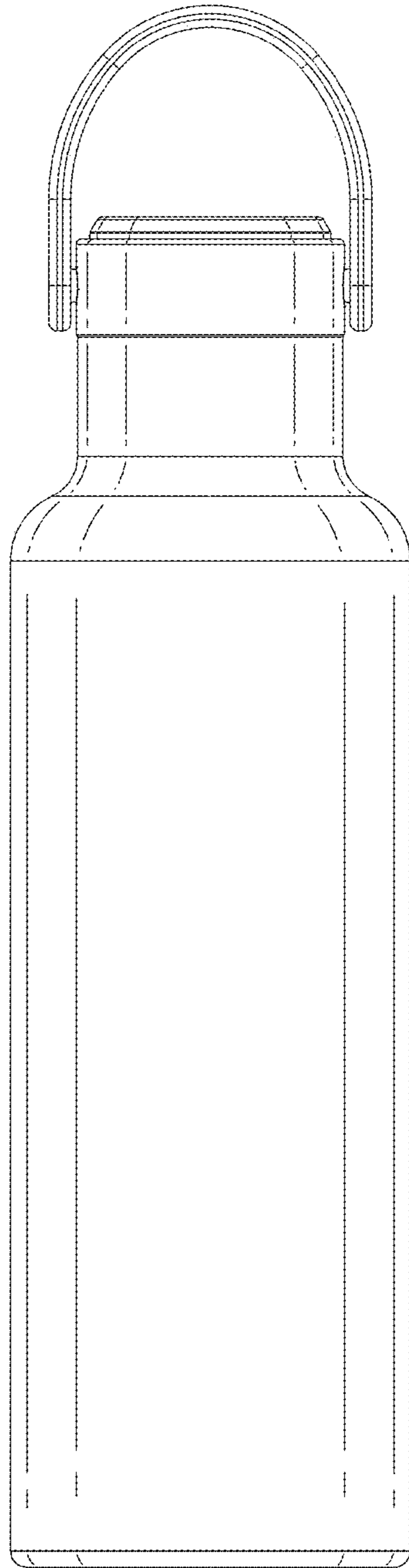


Fig. 1

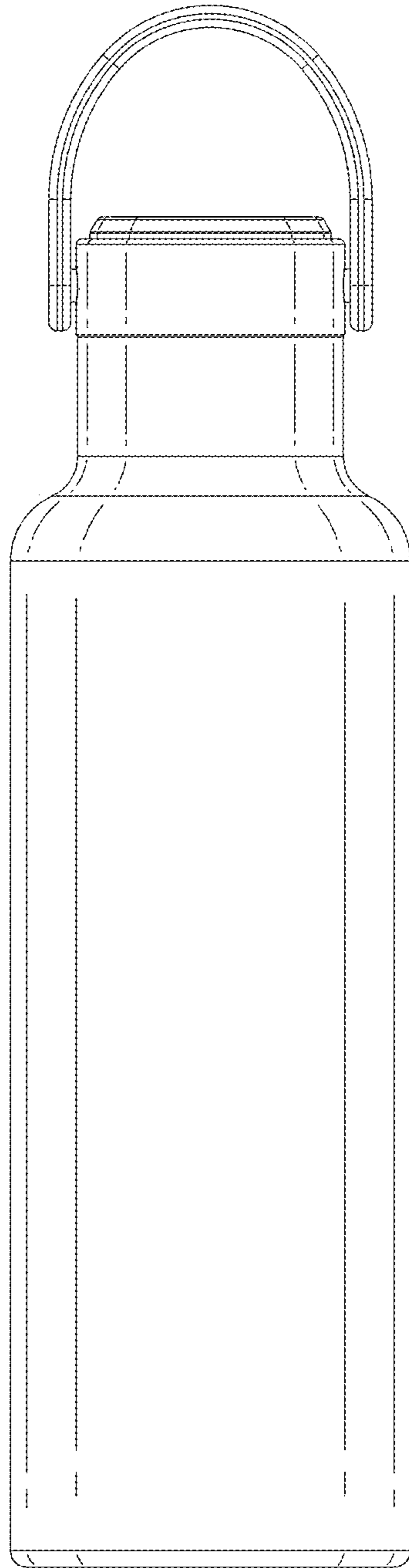


Fig. 2

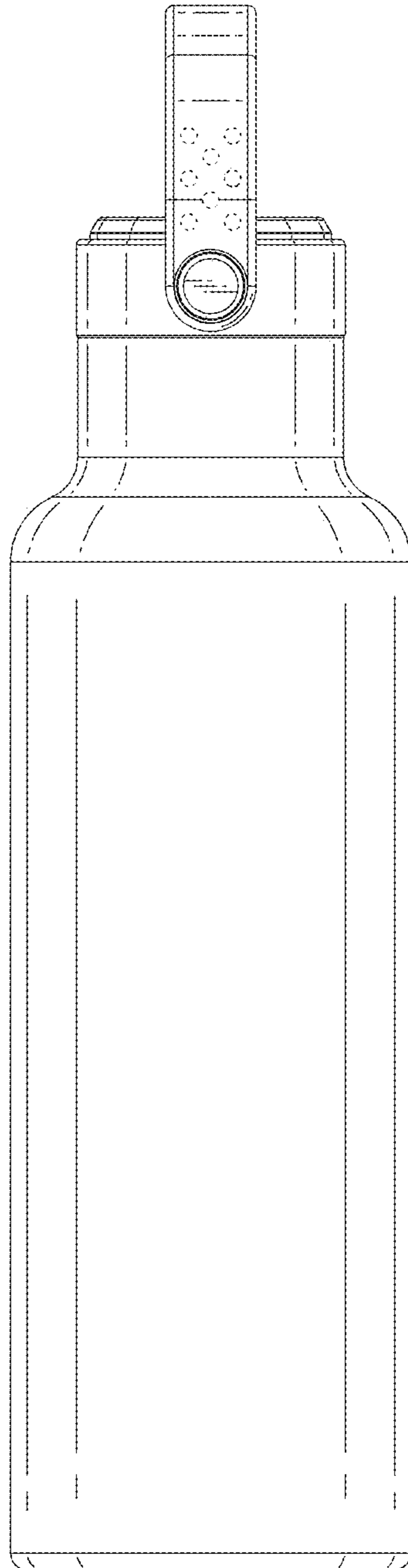


Fig. 3

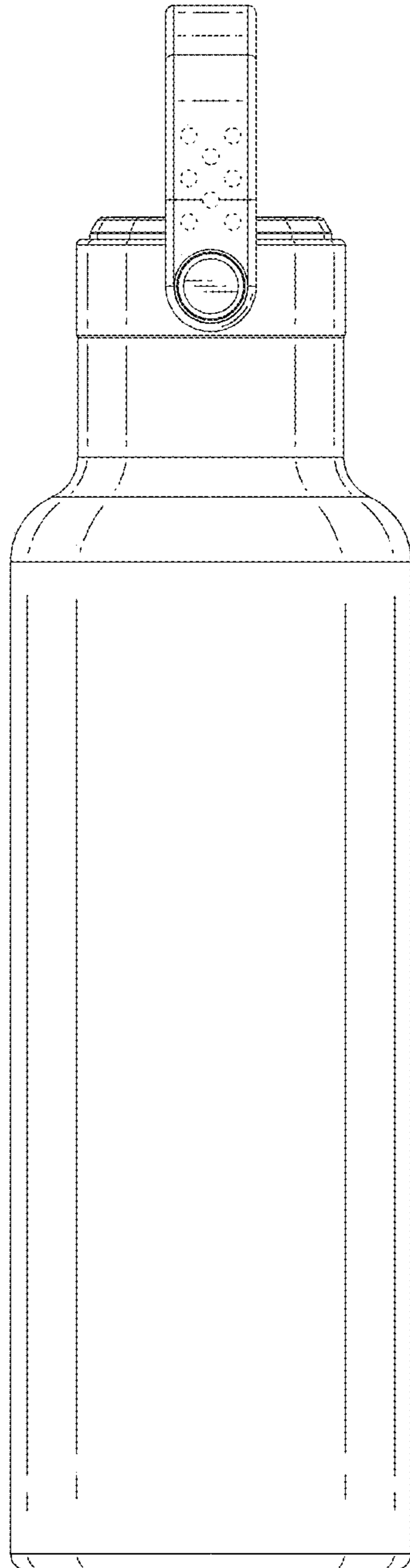


Fig. 4

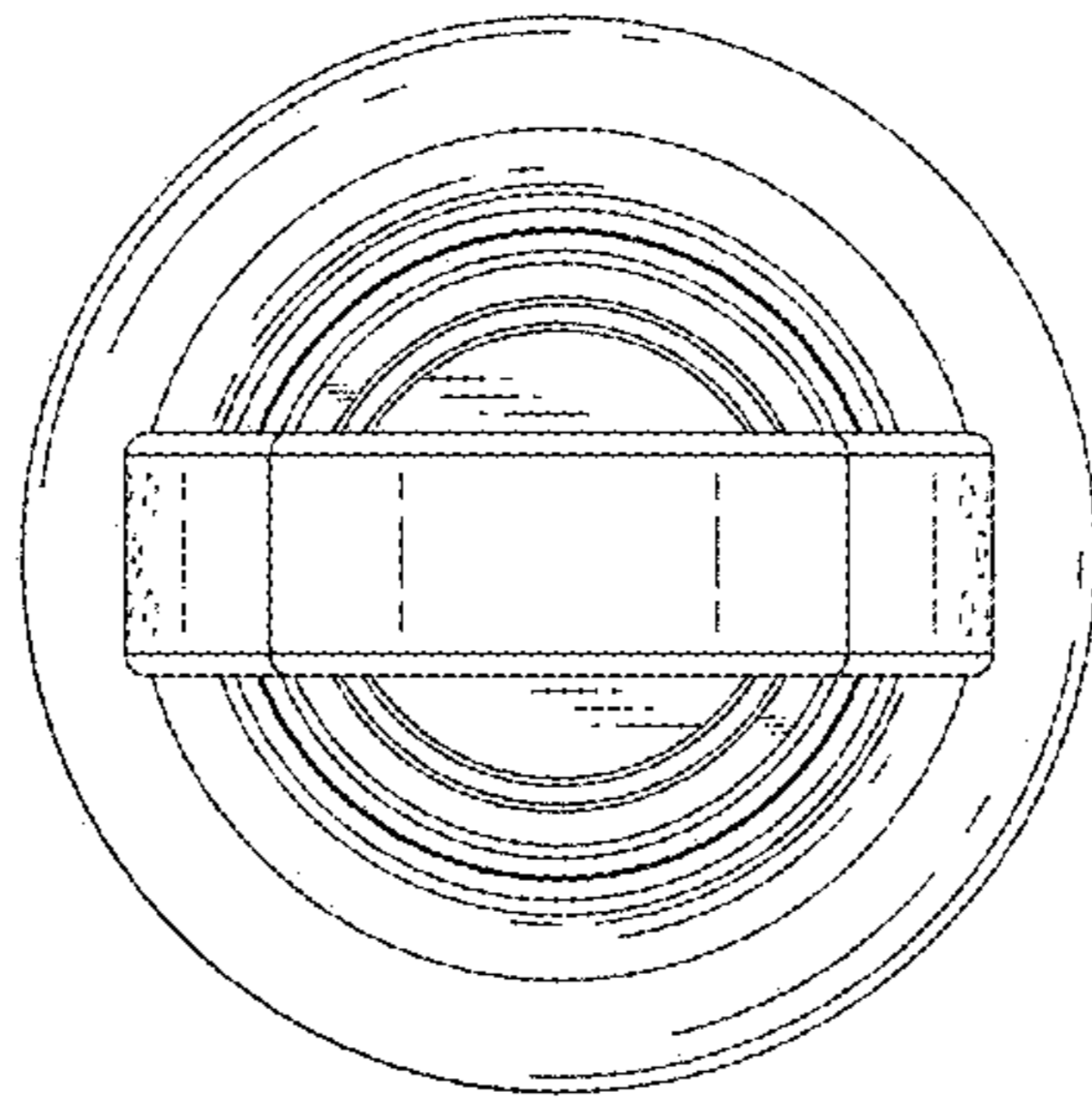


Fig. 5

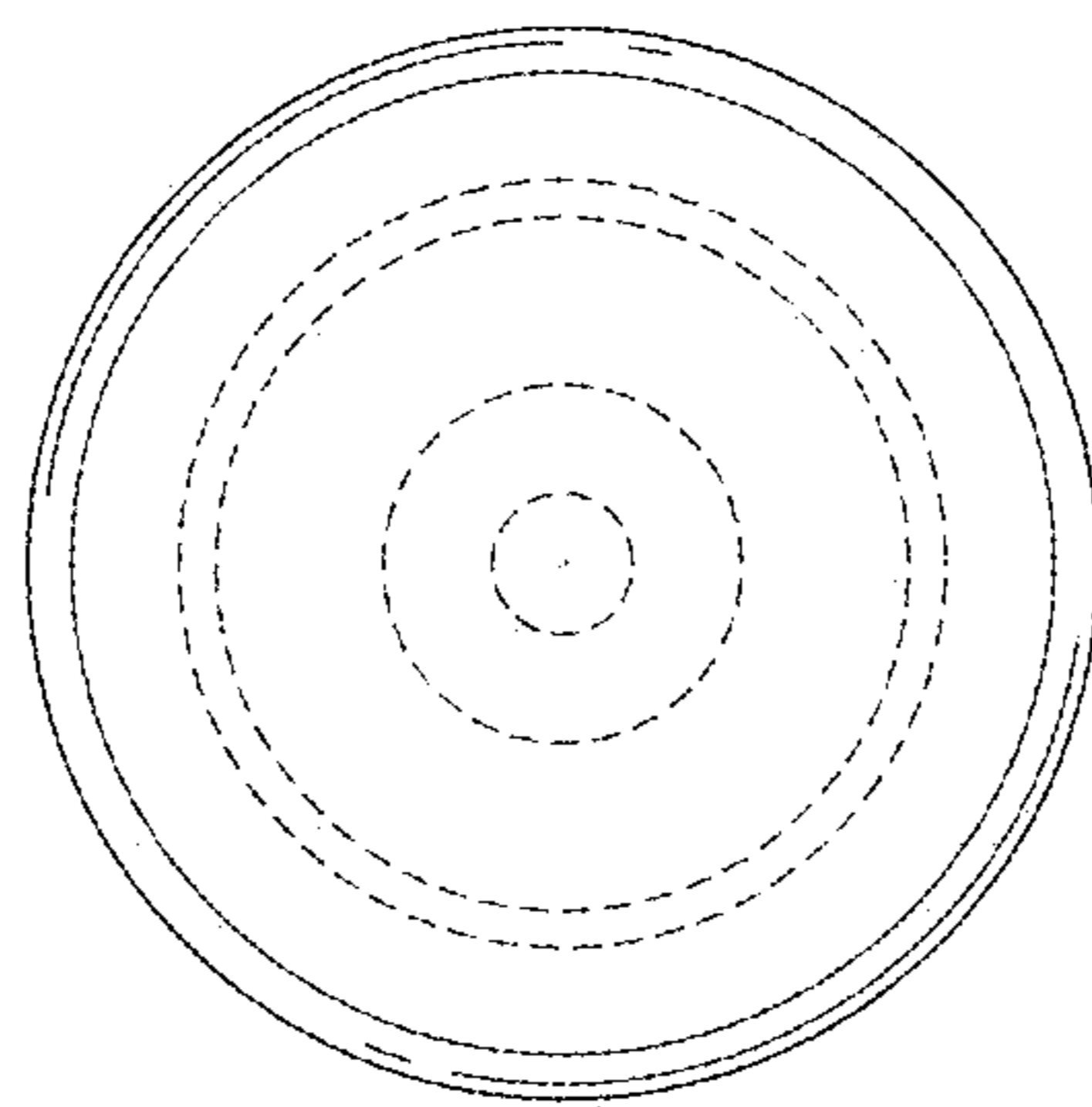


Fig. 6

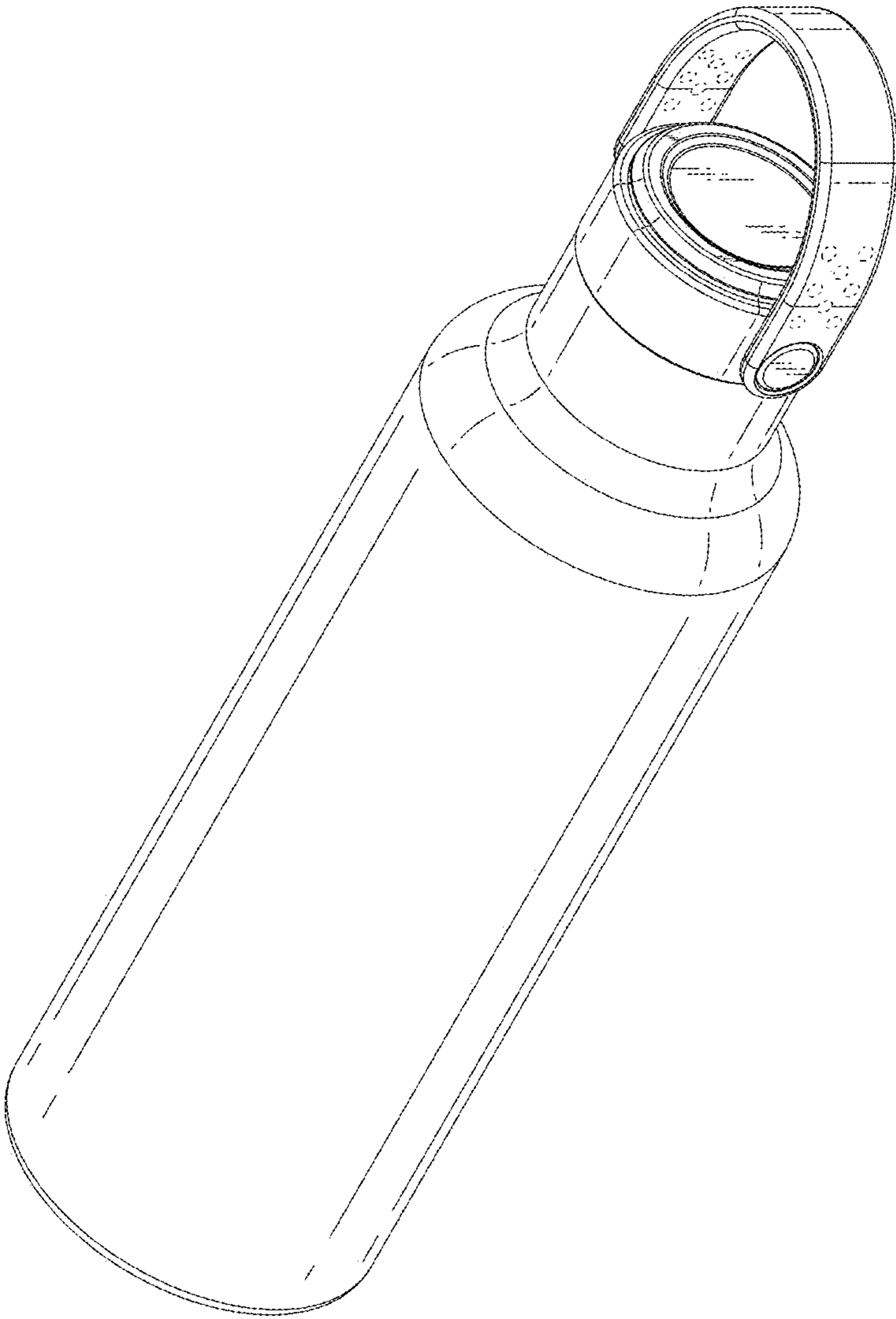


Fig. 7

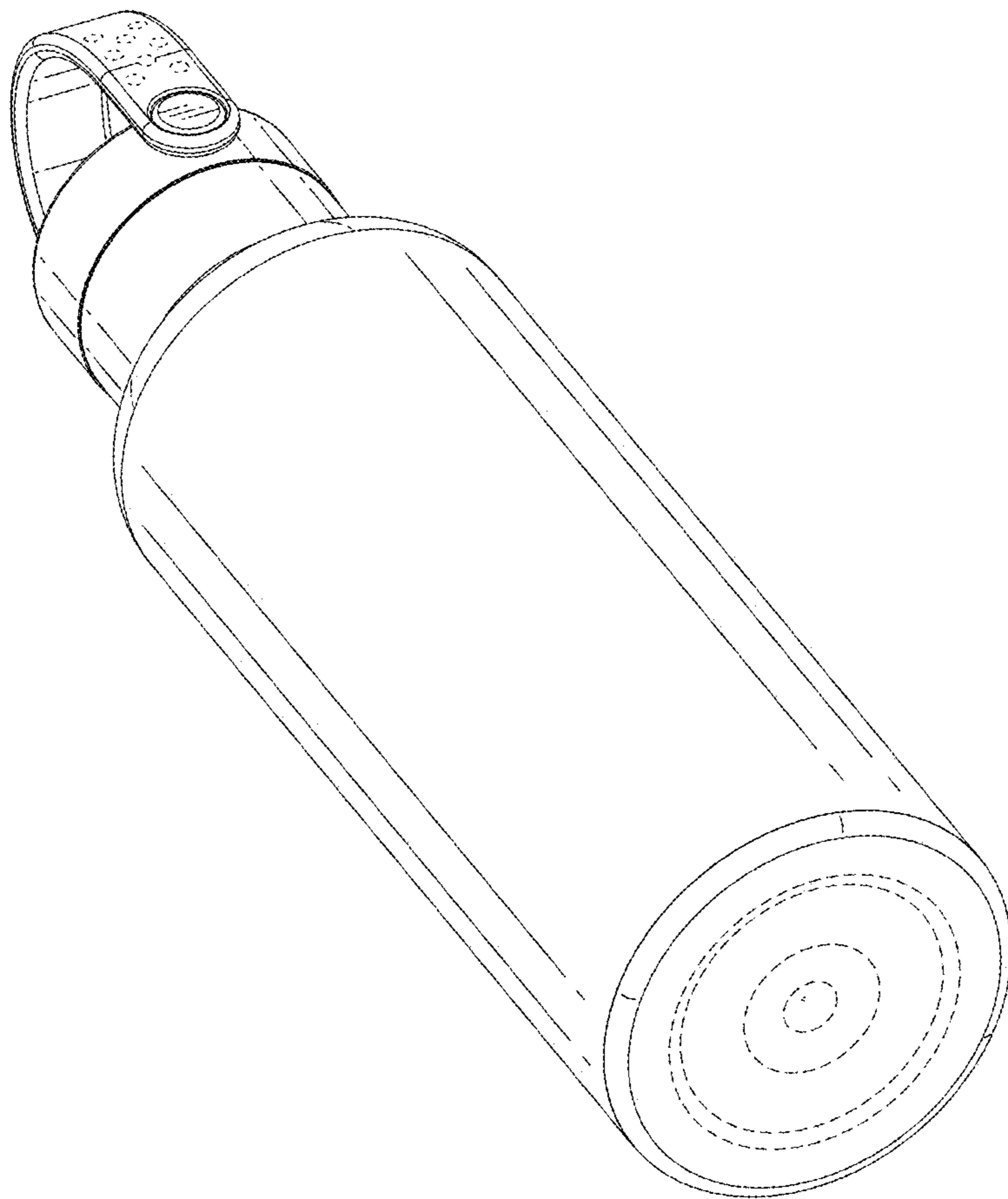


Fig. 8