



US00D948285S

(12) **United States Design Patent**
Wu et al.

(10) **Patent No.:** **US D948,285 S**
(45) **Date of Patent:** **** Apr. 12, 2022**

(54) **WATER BOTTLE**

(71) Applicant: **Access Business Group International LLC**, Ada, MI (US)

(72) Inventors: **Ziqi Wu**, Grand Rapids, MI (US);
Zane Hoekstra, Kentwood, MI (US);
Timothy P Bower, Rockford, MI (US);
Shih-Yi Chang, Shenzhen (CN);
Tianxiong Zeng, Shenzhen (CN)

(73) Assignee: **Access Business Group International LLC**, Ada, MI (US)

(**) Term: **15 Years**

(21) Appl. No.: **29/715,412**

(22) Filed: **Dec. 2, 2019**

(51) **LOC (13) Cl.** **07-01**

(52) **U.S. Cl.**
USPC **D7/511**; D7/608; D9/549

(58) **Field of Classification Search**
USPC D7/300, 300.1, 354, 391, 392, 392.1,
D7/396.2, 396.3, 409, 507, 509-511,
D7/513-516, 523, 608, 619.1, 619.2, 900;
D9/447, 517, 519, 520, 529, 549;
D24/197, 224; D30/121, 151; D99/28
CPC A47G 19/12; A47G 19/22; A47G 19/2205;
A47G 19/2211; A47G 19/2261; A47G
19/2222; A47G 19/2227; A47G 19/2266;
A47G 19/2272; A47G 19/2288; A47G
23/0241; A47J 41/00; A47J 41/0055;
A47J 41/0072; A47J 41/02; A47J 41/028;
B65D 51/245; B65D 51/265; B65D
51/28; B65D 77/0493; C02F 1/002

See application file for complete search history.

(56) **References Cited**

U.S. PATENT DOCUMENTS

D455,611 S * 4/2002 Kitamura A45F 3/16
D7/608
D587,969 S * 3/2009 Gilbert C02F 1/32
D7/510

D592,012 S * 5/2009 Carreno D7/510
D596,460 S * 7/2009 Nezu D7/510
RE42,484 E * 6/2011 Kitamura D7/510
D639,660 S * 6/2011 Carreno D9/449
D649,055 S * 11/2011 Fracasso D9/503

(Continued)

FOREIGN PATENT DOCUMENTS

CN 305310393 * 8/2019
CN 305370036 * 10/2019

(Continued)

OTHER PUBLICATIONS

Shop N Joy, "Thermos Vacuum Insulated Stainless Steel Commuter Bottle," May 29, 2015, Amazon.com, www.amazon.com/Thermos-Insulated-Stainless-Commuter-16-ounce/dp/B00YHU2L1A (Year: 2015).*

Primary Examiner — Joseph Kukella

Assistant Examiner — Arva P Adams

(74) *Attorney, Agent, or Firm* — Alticor Inc.

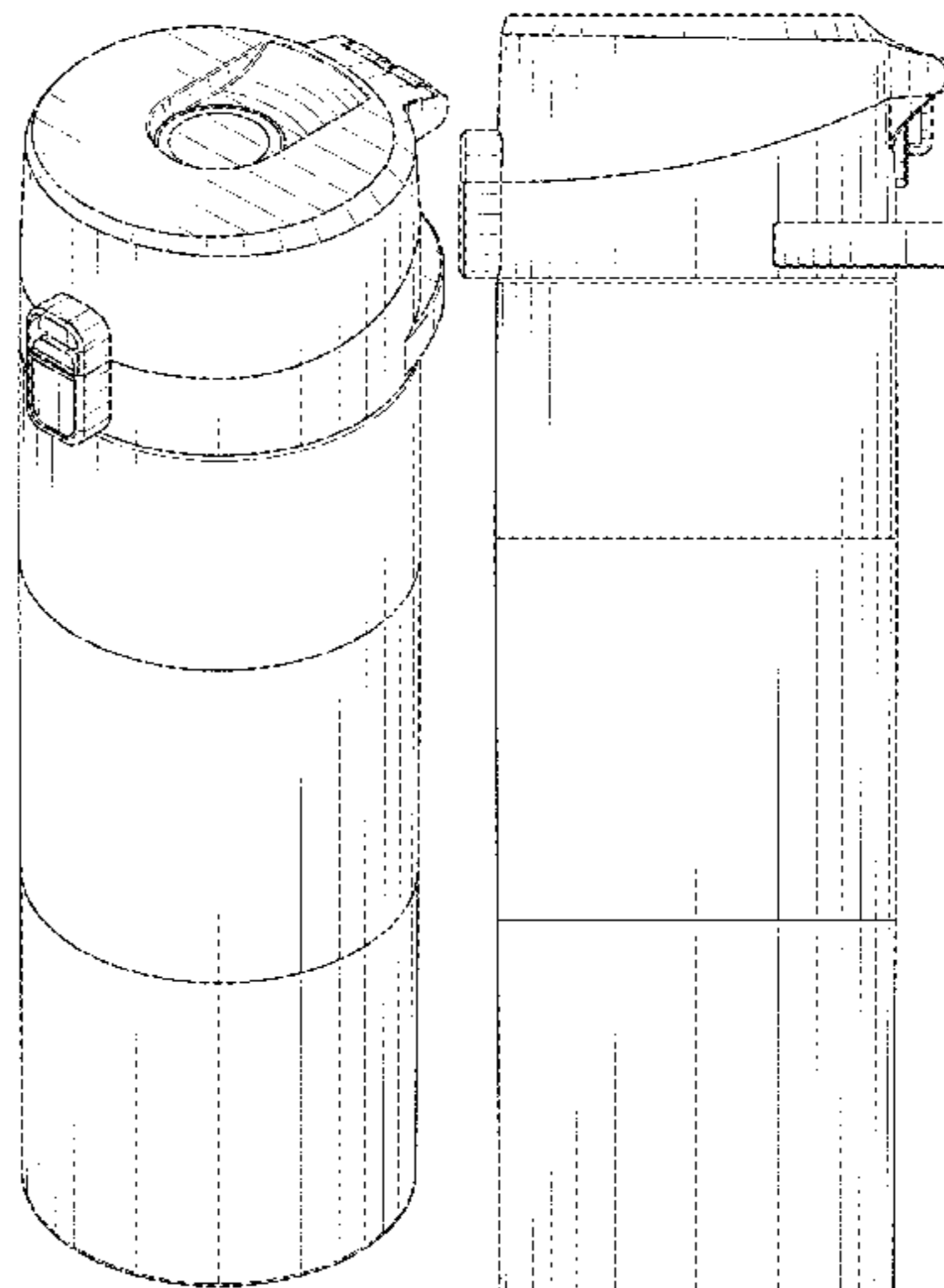
(57) **CLAIM**

The ornamental design for a water bottle, as shown and described.

DESCRIPTION

FIG. 1 is a perspective view of the water bottle embodying the new design;
FIG. 2 is a front view thereof;
FIG. 3 is a rear view thereof;
FIG. 4 is a right-side view thereof; the left-side view being a mirror image thereof;
FIG. 5 is a top view thereof; and,
FIG. 6 is a bottom view thereof.
The broken lines show portions of the water bottle that form no part of the claimed design.

1 Claim, 4 Drawing Sheets



(56)

References Cited

U.S. PATENT DOCUMENTS

D655,580 S * 3/2012 Kotani D7/608
 D686,872 S * 7/2013 Lane D9/449
 D690,557 S * 10/2013 Carreno D7/510
 D695,069 S * 12/2013 Lane D7/510
 D725,966 S * 4/2015 Boroski D7/511
 D729,584 S 5/2015 Weston et al.
 D731,244 S * 6/2015 Kohl D7/510
 D744,781 S * 12/2015 Rummel D7/511
 D754,485 S * 4/2016 Lapsker D7/532
 D761,058 S * 7/2016 Ou D7/510
 D778,117 S * 2/2017 Du D7/608
 D780,578 S * 3/2017 Lane D7/396.2
 D794,453 S * 8/2017 Boroski D9/449
 D795,011 S * 8/2017 Pisarevsky D7/510
 2017/0057691 A1 * 3/2017 Clark A45F 3/16
 2021/0171384 A1 * 6/2021 Wu C02F 1/32

FOREIGN PATENT DOCUMENTS

CN 305395471 * 10/2019
 CN 305399580 * 10/2019
 CN 112919699 A * 6/2021 C02F 1/003
 JP D1674522 * 11/2020
 KR 300802702.0000 * 6/2015 C02F 1/003
 KR 300955575.0000 * 5/2018
 KR 301105102.0000 * 12/2019

* cited by examiner

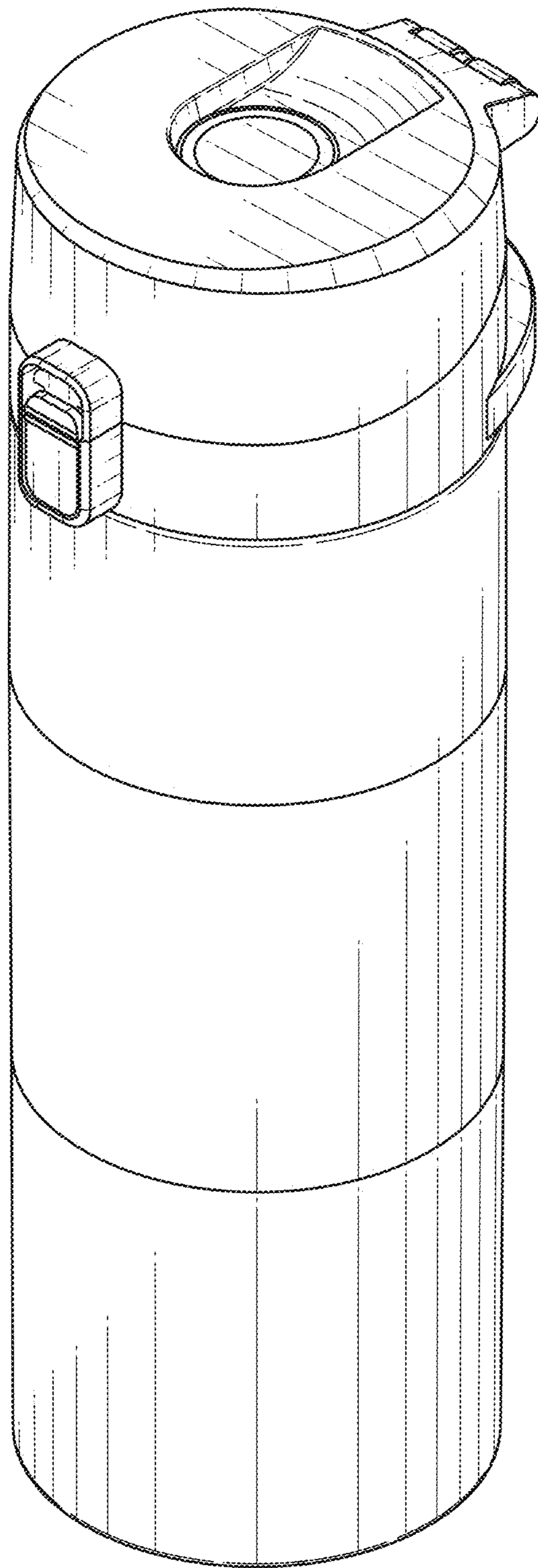


FIG. 1

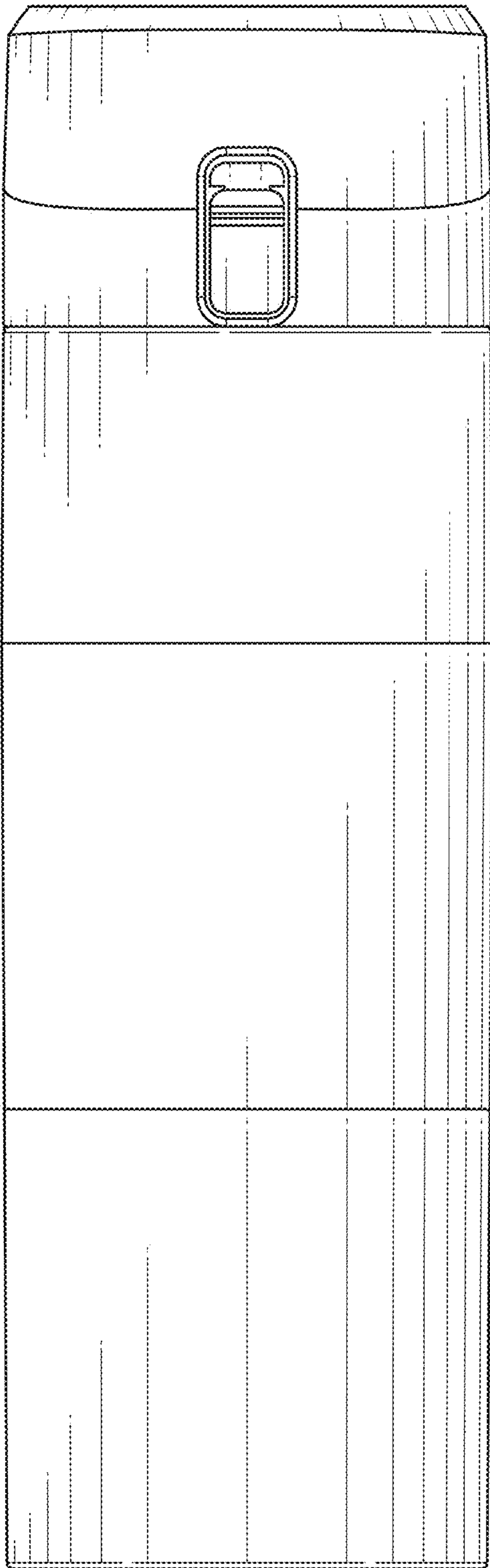


FIG. 2

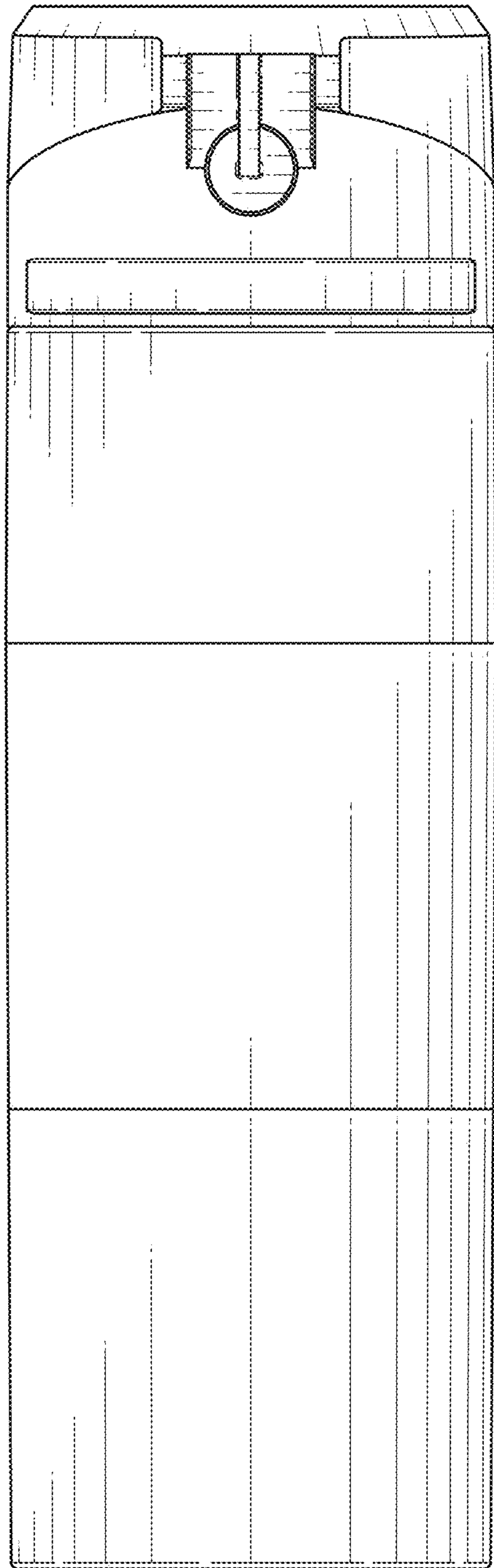


FIG. 3

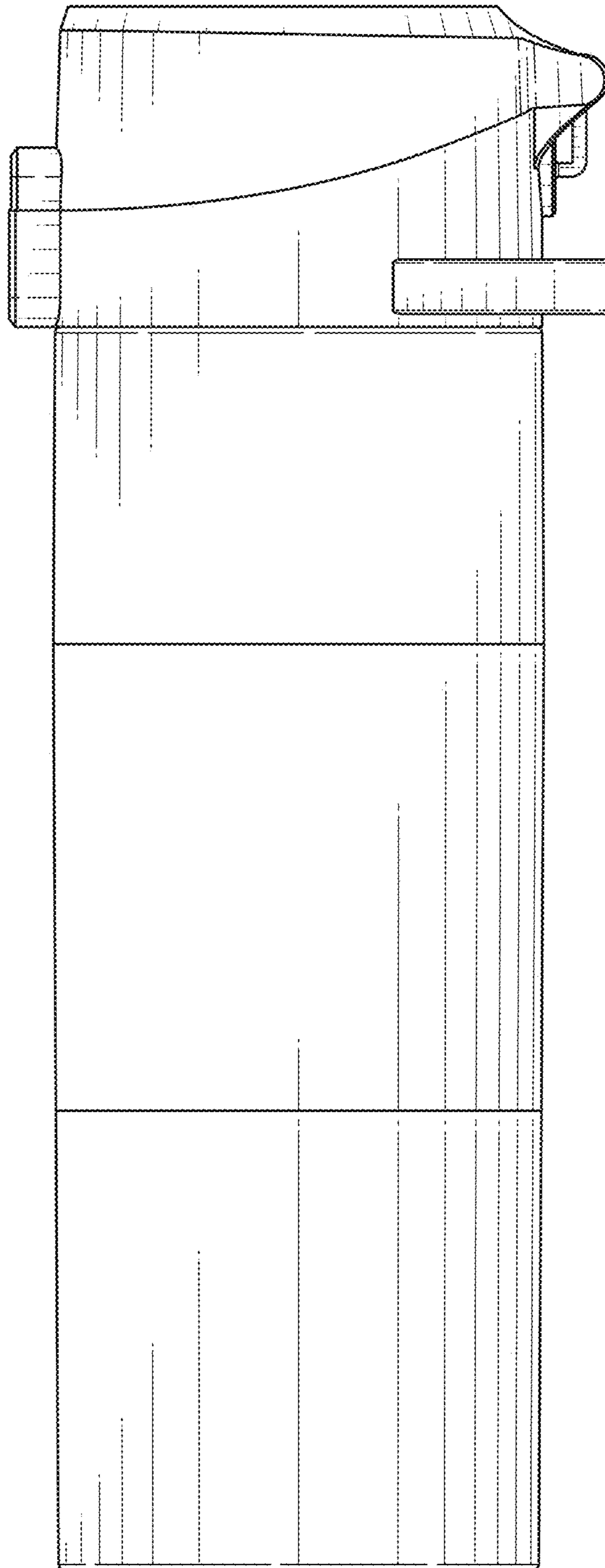


FIG. 4

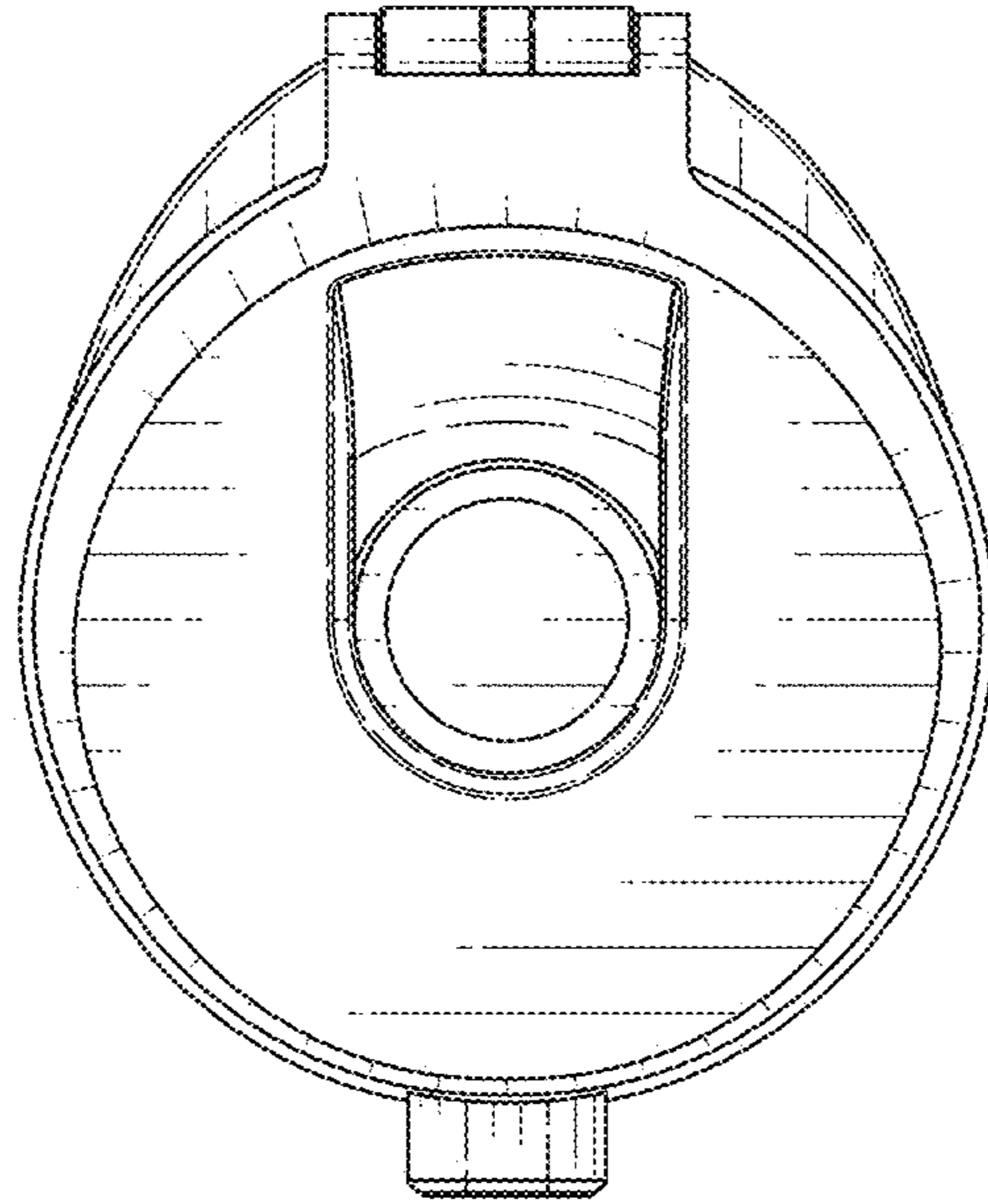


FIG. 5

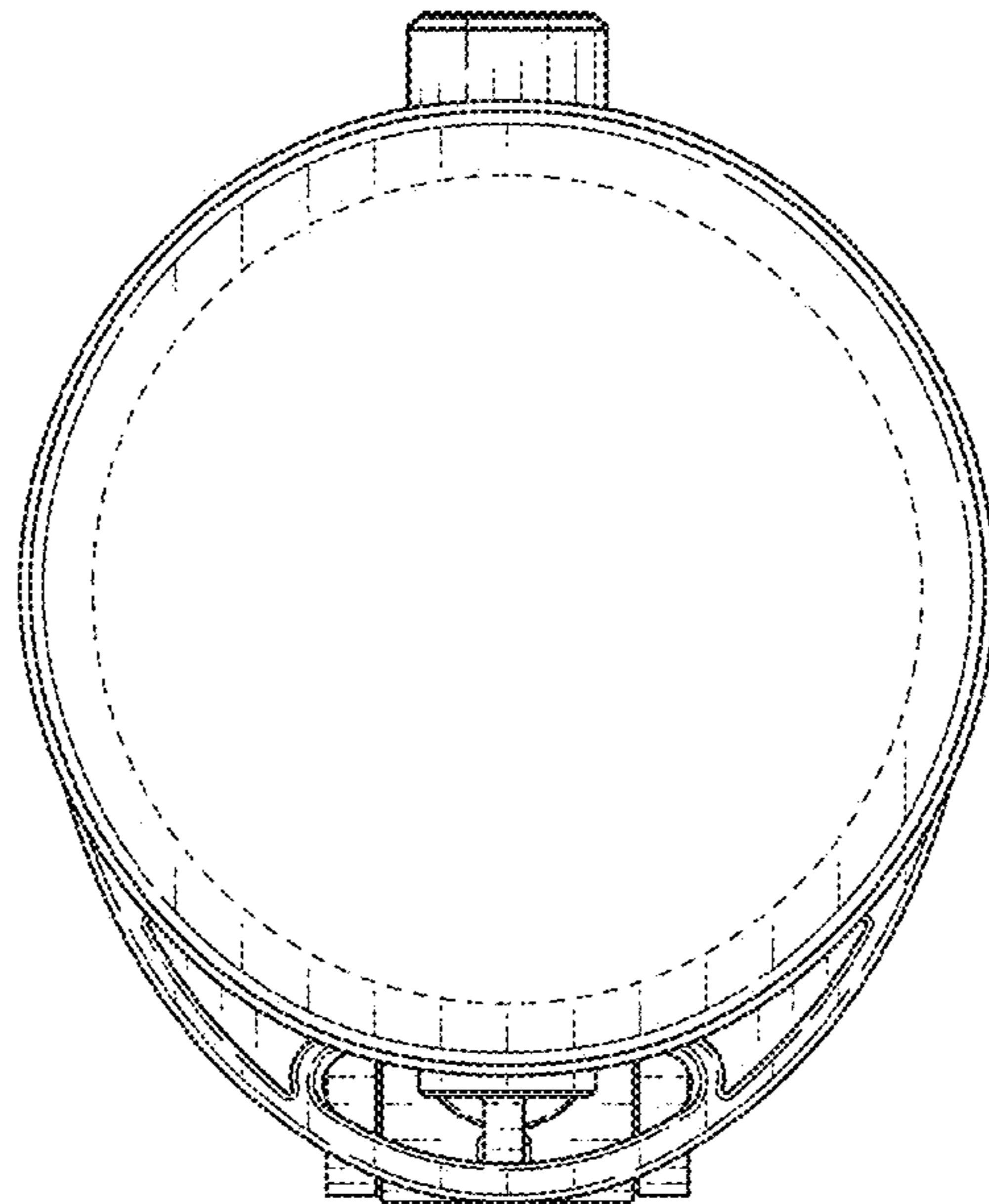


FIG. 6