



US00D948284S

(12) **United States Design Patent** (10) **Patent No.:** **US D948,284 S**  
**Bruner** (45) **Date of Patent:** **\*\* Apr. 12, 2022**

(54) **CONTAINER**  
(71) Applicant: **HEWY WINE CHILLERS, LLC**,  
Orlando, FL (US)  
(72) Inventor: **Stephen Bruner**, Orlando, FL (US)  
(73) Assignee: **Corkcicle, LLC**, Orlando, FL (US)  
(\*\*) Term: **15 Years**  
(21) Appl. No.: **29/740,591**  
(22) Filed: **Jul. 6, 2020**  
(51) **LOC (13) Cl.** ..... **07-01**  
(52) **U.S. Cl.**  
USPC ..... **D7/510**  
(58) **Field of Classification Search**  
USPC ..... D7/300, 313, 316, 507, 509, 510, 511,  
D7/602, 605, 608, 614, 619.1, 622;  
D9/443, 449, 450, 500, 502, 505, 520,  
D9/528, 531, 537, 538, 540, 549, 560,  
D9/570  
CPC ..... A45F 2200/0583; A47G 19/2205; A47G  
19/2272; A47G 19/2288; A47G 19/23;  
A47G 23/16; A47J 41/00; A47J 43/00;  
A47J 47/00; A47J 47/02; A47J 47/08;  
B65D 1/265; B65D 3/22; B65D 81/3865;  
B65D 81/3453  
See application file for complete search history.

D391,448 S \* 3/1998 Winer ..... D7/510  
D398,478 S \* 9/1998 Spencer ..... D7/510  
D411,414 S 6/1999 Berger  
D412,087 S \* 7/1999 Spencer ..... D7/510  
D433,729 S \* 11/2000 Poirier ..... D7/510  
D442,736 S 5/2001 McGilvray  
D480,590 S 10/2003 Linz et al.  
D483,981 S 12/2003 Linz et al.  
D483,982 S 12/2003 Irvine  
D510,497 S 10/2005 Hou  
D520,654 S 5/2006 Freeman et al.  
D605,468 S 12/2009 Borrello et al.  
D617,942 S 6/2010 LoRe  
D623,016 S 9/2010 Borrello et al.

(Continued)

*Primary Examiner* — Joseph Kukella  
*Assistant Examiner* — Darryl J Dardenne  
(74) *Attorney, Agent, or Firm* — Dickinson Wright,  
PLLC; Michael E. Noe, Jr.

(57) **CLAIM**

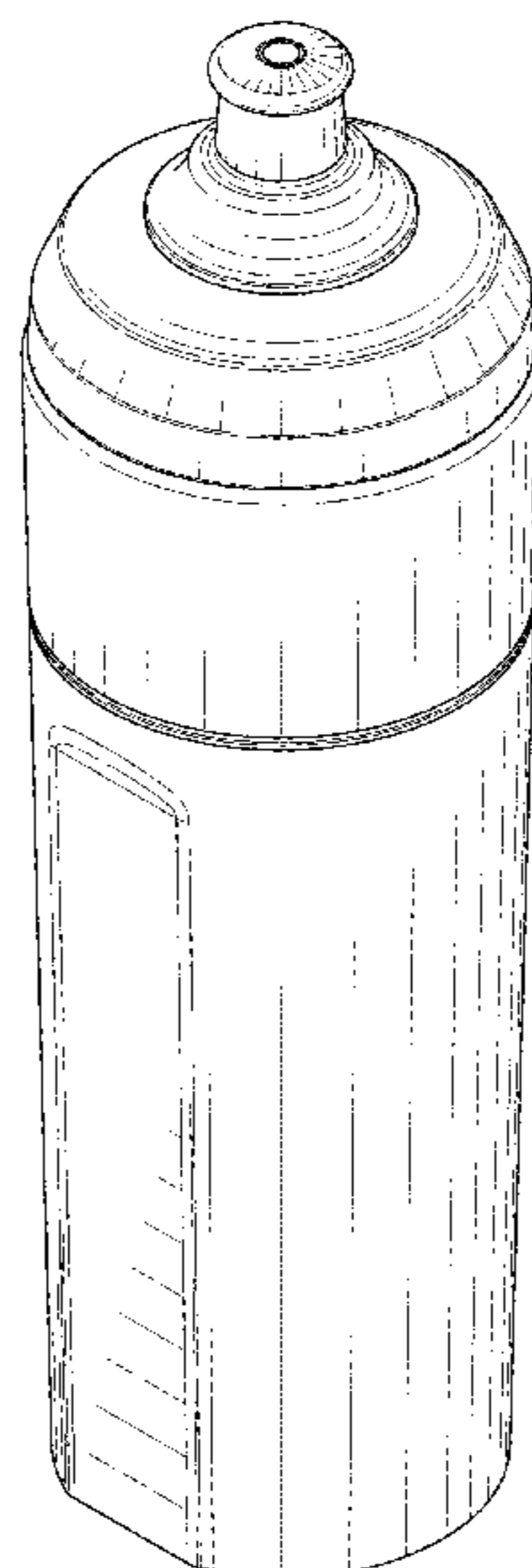
The ornamental design for a container, substantially as shown and described.

**DESCRIPTION**

FIG. 1 is a top, front isometric view of a first embodiment of a container.  
FIG. 2 is a front view of the container of FIG. 1.  
FIG. 3 is a rear view of the container of FIG. 1.  
FIG. 4 is a right side view of the container of FIG. 1.  
FIG. 5 is a left side view of the container of FIG. 1.  
FIG. 6 is a top view of the container of FIG. 1.  
FIG. 7 is a top, front isometric view of a second embodiment of a container.  
FIG. 8 is a front view of the container of FIG. 7.  
FIG. 9 is a rear view of the container of FIG. 7.  
FIG. 10 is a right side view of the container of FIG. 7.  
FIG. 11 is a left side view of the container of FIG. 7; and,  
FIG. 12 is a top view of the container of FIG. 7.

**1 Claim, 8 Drawing Sheets**

(56) **References Cited**  
U.S. PATENT DOCUMENTS  
D224,701 S 9/1972 Wright  
D279,763 S 7/1985 Hestehave et al.  
D282,232 S 1/1986 Bussell  
D340,385 S 10/1993 Durand  
D350,672 S \* 9/1994 Egger ..... A47J 41/00  
D7/510  
D356,542 S 3/1995 Finkiewicz et al.  
D376,729 S 12/1996 Maki



(56)

References Cited

U.S. PATENT DOCUMENTS

D631,700 S 2/2011 Flick  
 D644,489 S \* 9/2011 Trombly ..... D7/510  
 D646,926 S 10/2011 Willat et al.  
 D654,318 S 2/2012 O'Neill  
 D657,194 S \* 4/2012 McIntire ..... D7/510  
 D663,163 S 7/2012 Dick et al.  
 D664,397 S 7/2012 Franco  
 D691,420 S \* 10/2013 McIntire ..... D7/510  
 D714,646 S 10/2014 Libman et al.  
 D721,541 S 1/2015 Evans  
 D727,671 S 4/2015 Gamelli  
 D727,688 S 4/2015 Hewitt et al.  
 D736,562 S \* 8/2015 Green ..... D7/510  
 D748,485 S 2/2016 Marret  
 D754,999 S 5/2016 Gamelli  
 D755,568 S 5/2016 Lee  
 D756,716 S 5/2016 Hewitt et al.  
 D758,132 S \* 6/2016 Breit ..... D7/510  
 D760,027 S \* 6/2016 Meyers ..... D9/503  
 D761,607 S 7/2016 Gamelli et al.  
 D761,608 S 7/2016 Gamelli et al.  
 D761,609 S 7/2016 Gamelli et al.  
 D767,090 S 9/2016 Zimak  
 D767,930 S 10/2016 Gamelli et al.  
 D769,043 S 10/2016 Gamelli et al.

D772,311 S 11/2016 Bricker et al.  
 D774,357 S \* 12/2016 Palin ..... D9/503  
 D778,095 S 2/2017 Gamelli et al.  
 D792,742 S \* 7/2017 Meyers ..... D7/523  
 D796,901 S 9/2017 Pisarevsky  
 D799,274 S 10/2017 Hewitt et al.  
 D800,500 S 10/2017 Bricker  
 D808,219 S \* 1/2018 Heiberger ..... D7/529  
 D817,683 S 5/2018 Melanson et al.  
 D830,126 S 10/2018 Rohe  
 D839,678 S 2/2019 Bruner et al.  
 D850,857 S 6/2019 Bruner et al.  
 D858,202 S 9/2019 Hewitt et al.  
 D858,212 S 9/2019 Hewitt et al.  
 D871,852 S 1/2020 Haas  
 D873,618 S 1/2020 Hewitt et al.  
 D874,285 S 2/2020 Yourist  
 D887,204 S \* 6/2020 Palin ..... A47G 23/0241  
 D892,568 S \* 8/2020 Haas ..... A47G 23/0241  
 D900,611 S \* 11/2020 Hewitt ..... D7/300.1  
 10,919,661 B2 \* 2/2021 Hewitt ..... A47J 41/00  
 D917,230 S \* 4/2021 Zitron ..... D7/507  
 D923,407 S \* 6/2021 McCready ..... D7/629  
 D923,428 S \* 6/2021 Haas ..... D7/624.2  
 2019/0185196 A1 6/2019 Hewitt et al.  
 2021/0337958 A1 \* 11/2021 Sayied ..... A45F 3/18

\* cited by examiner

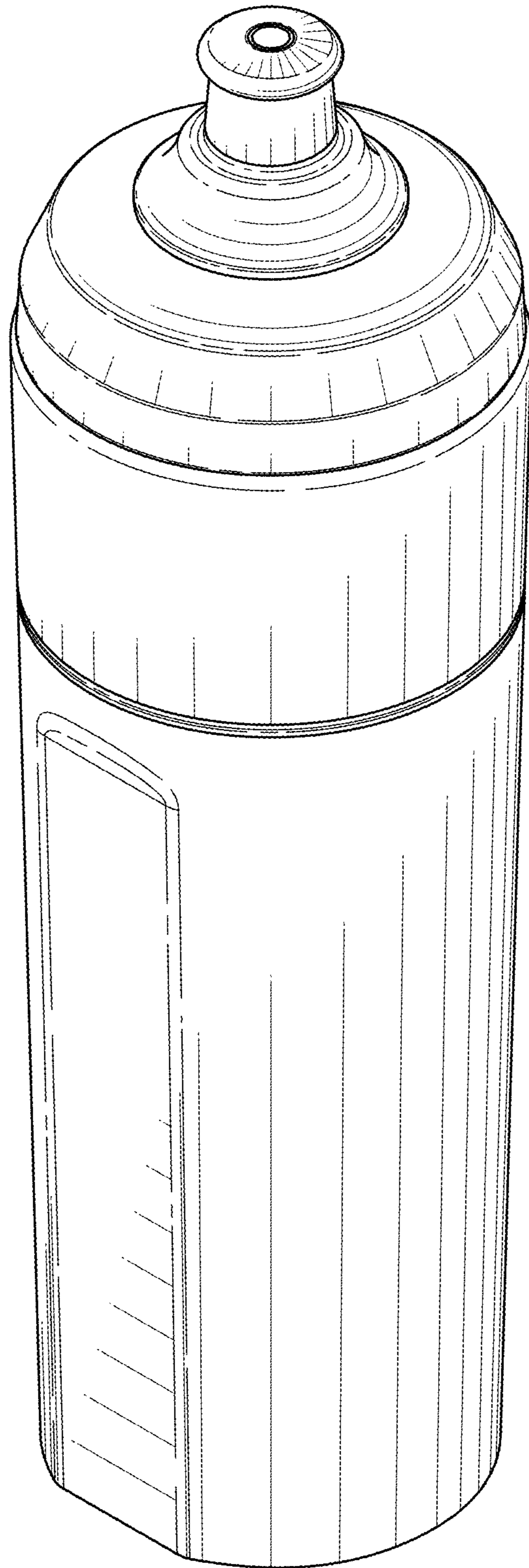


FIG. 1

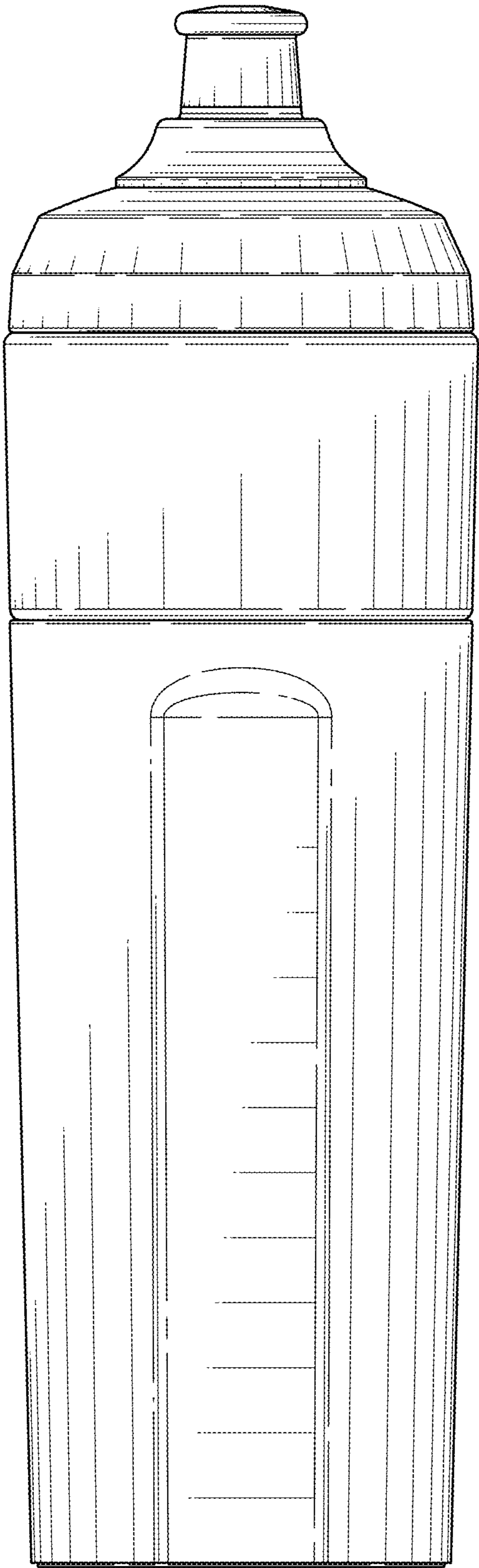


FIG. 2

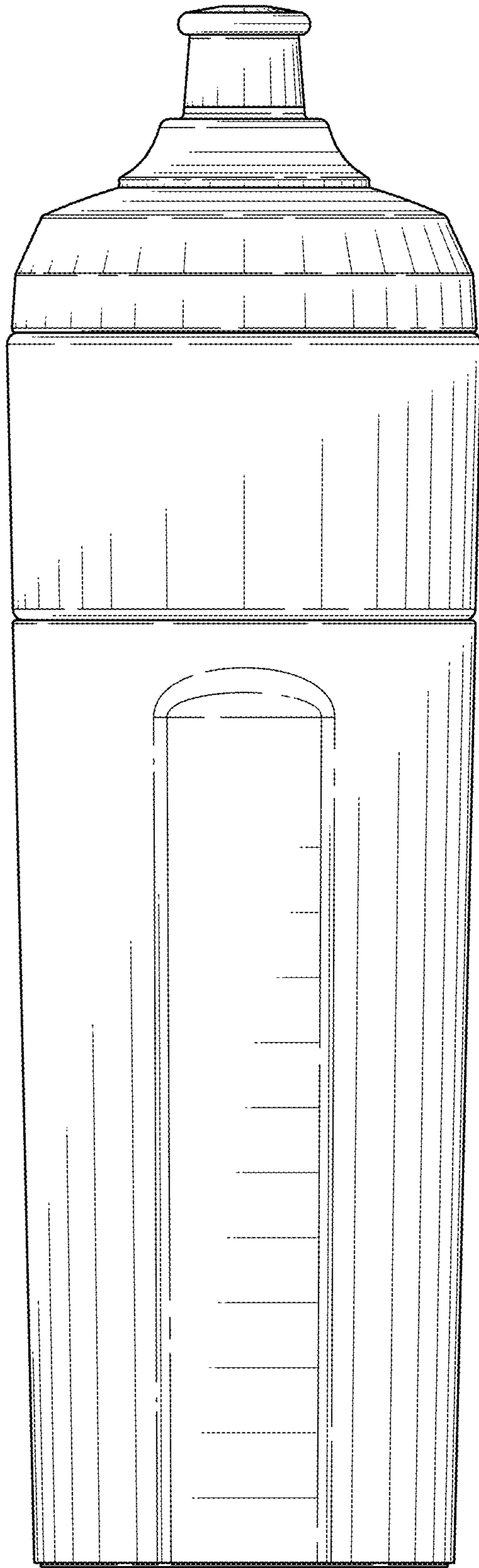


FIG. 3

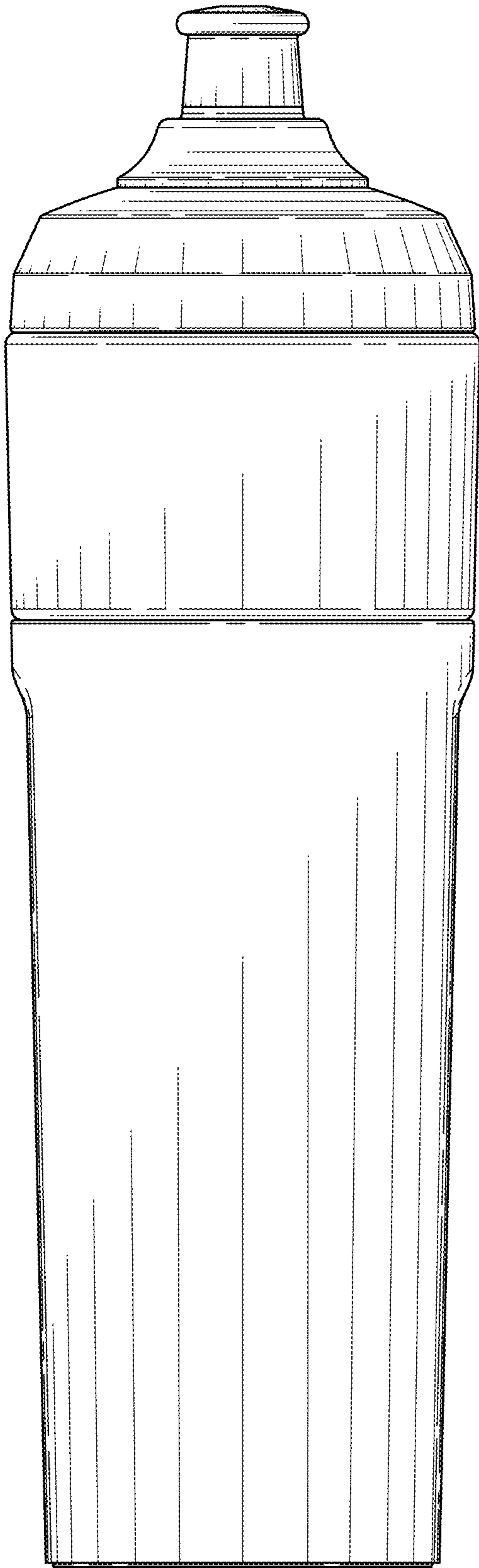


FIG. 4

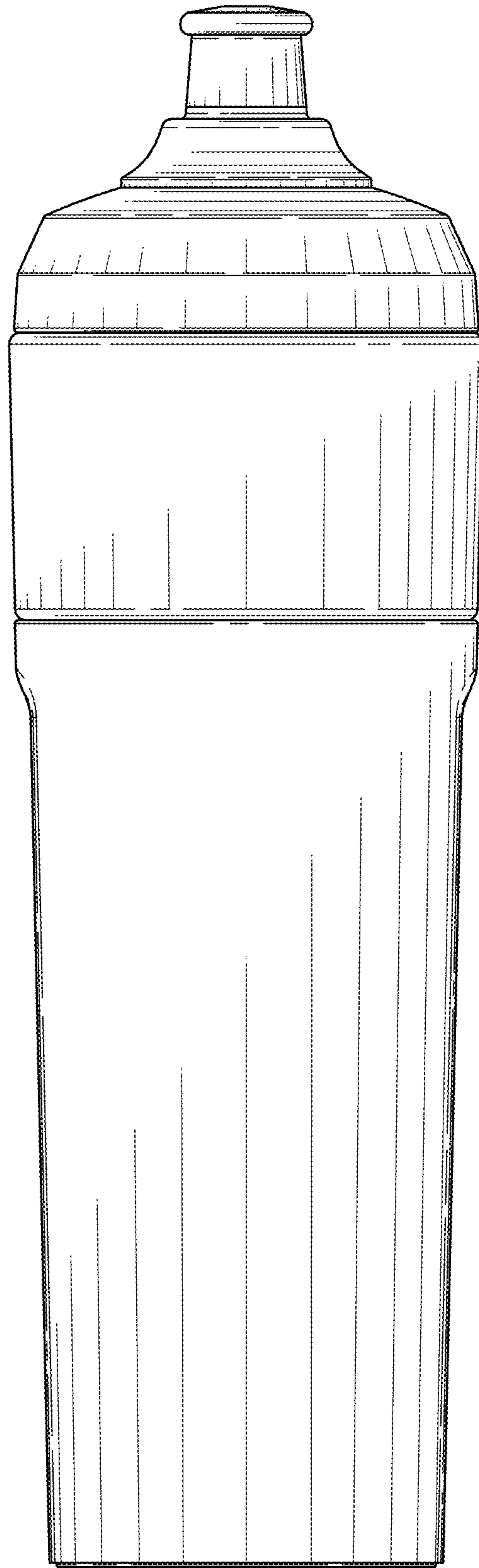


FIG. 5

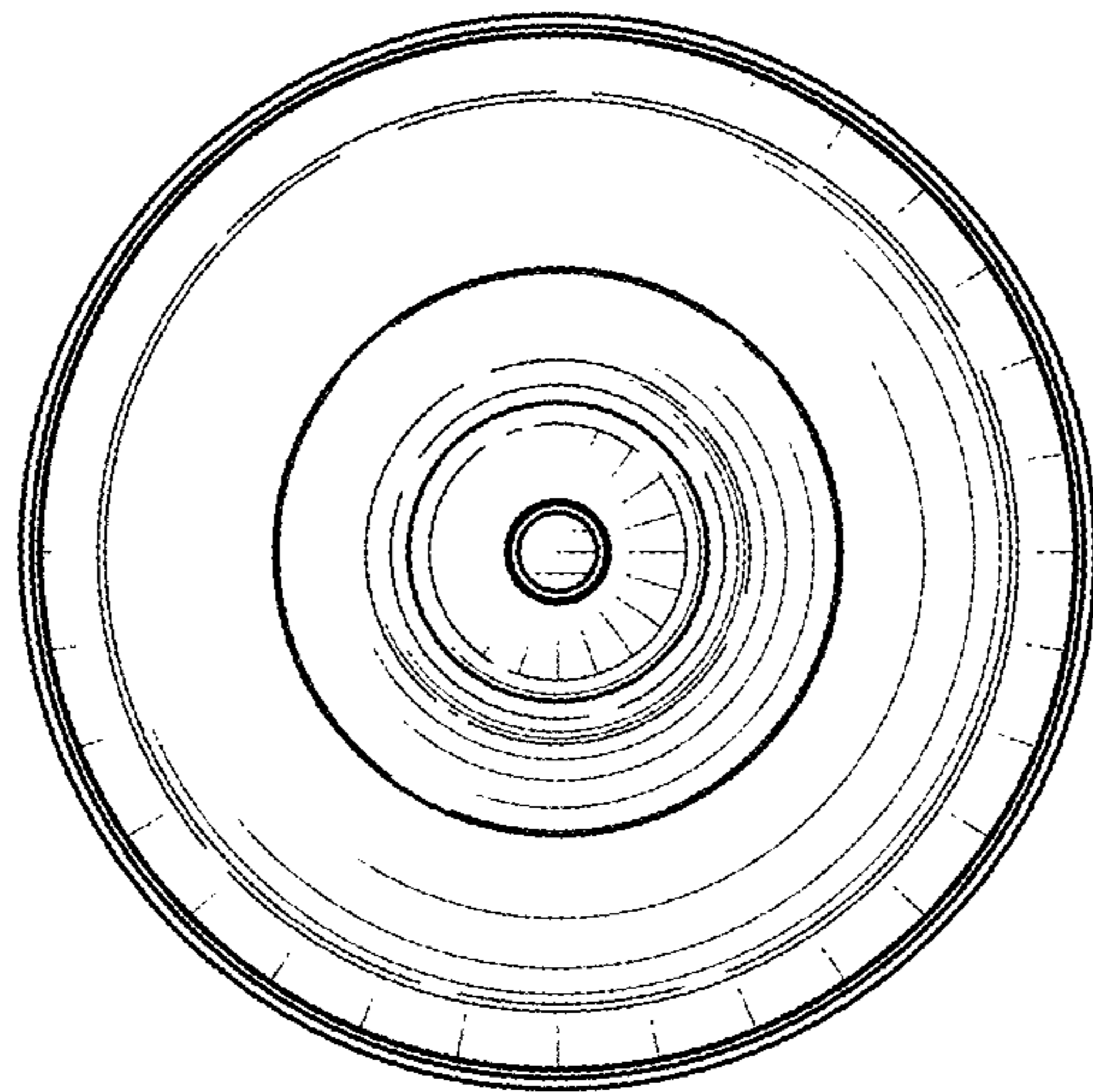


FIG. 6

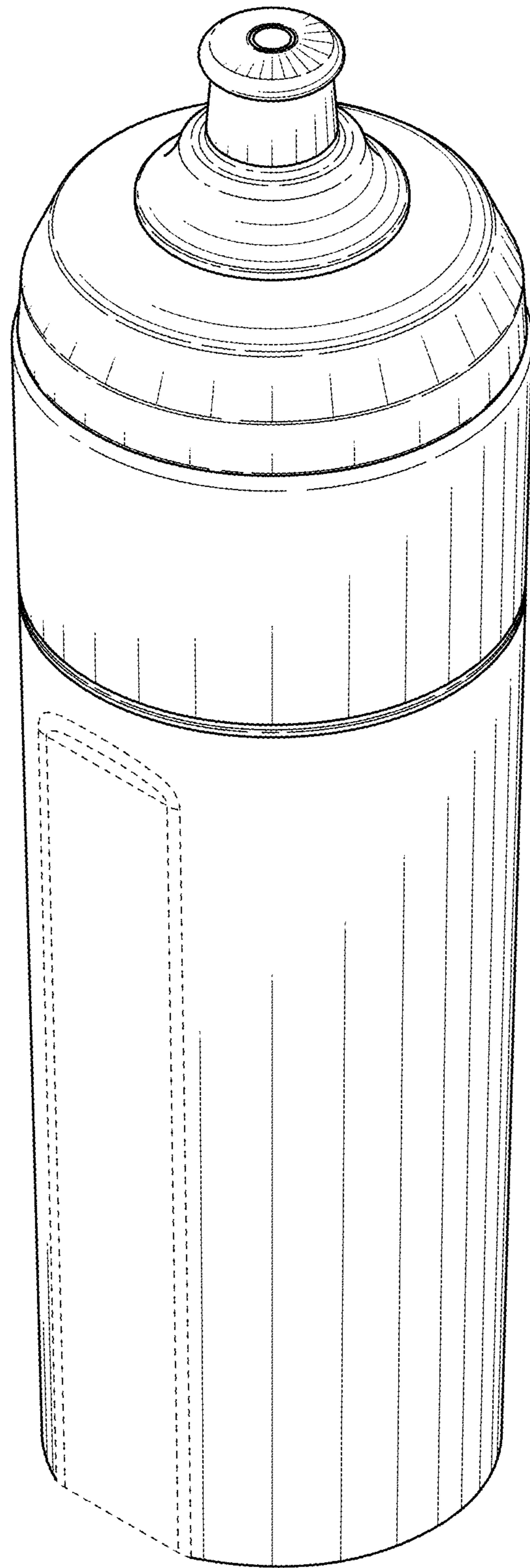


FIG. 7

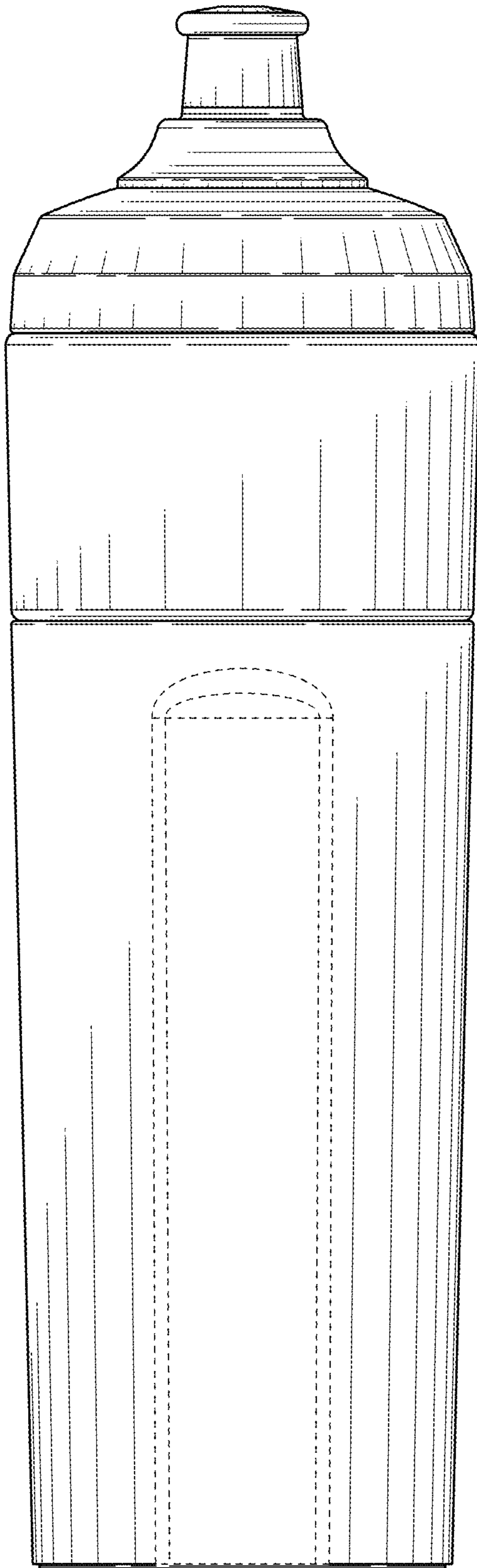


FIG. 8

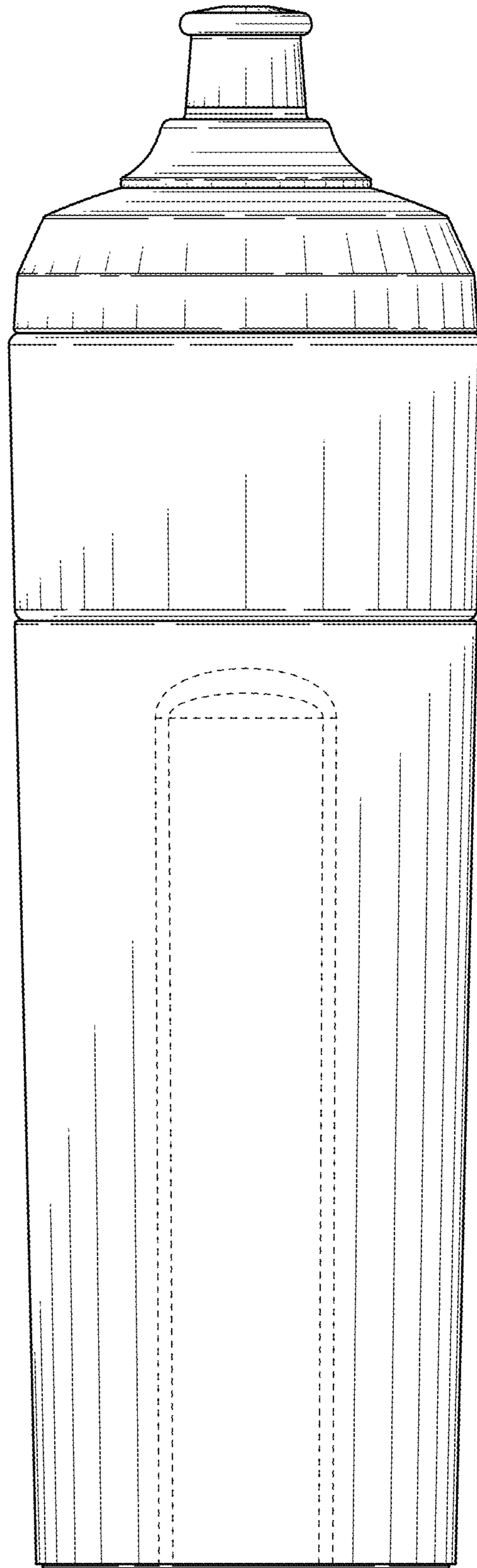


FIG. 9



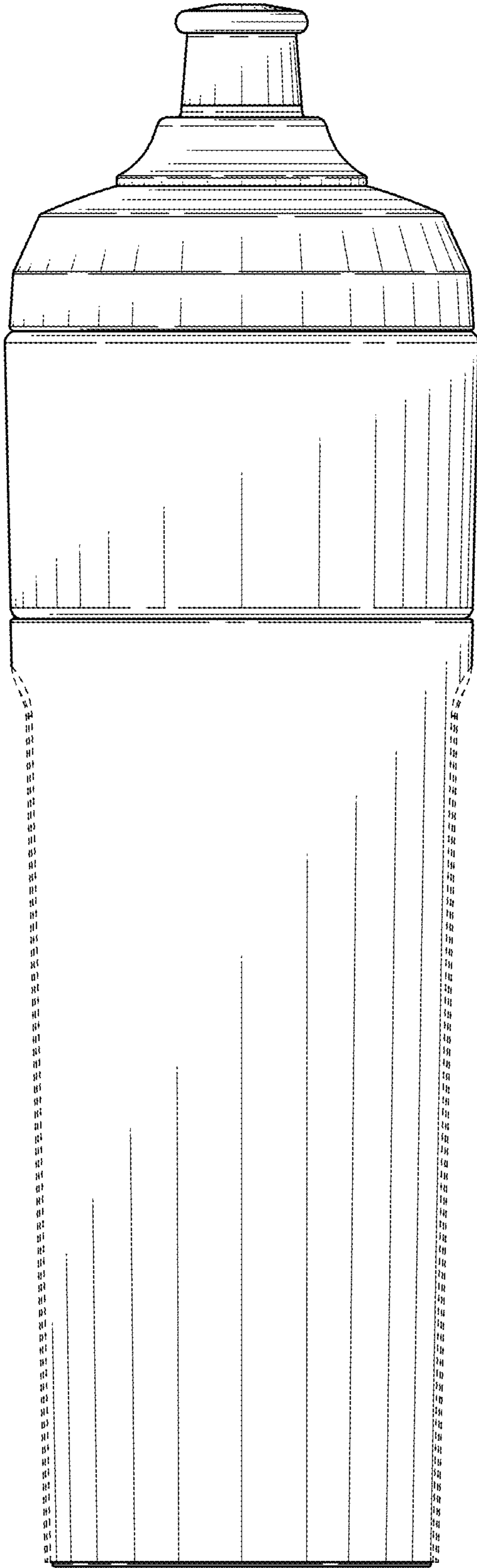


FIG. 10

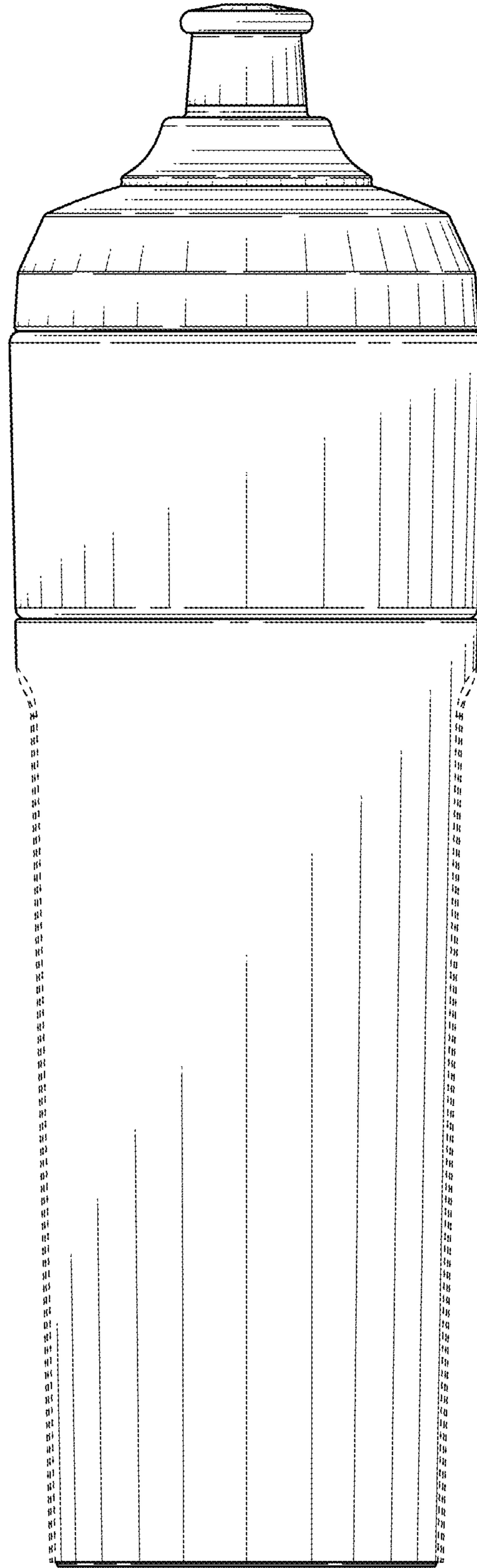


FIG. 11

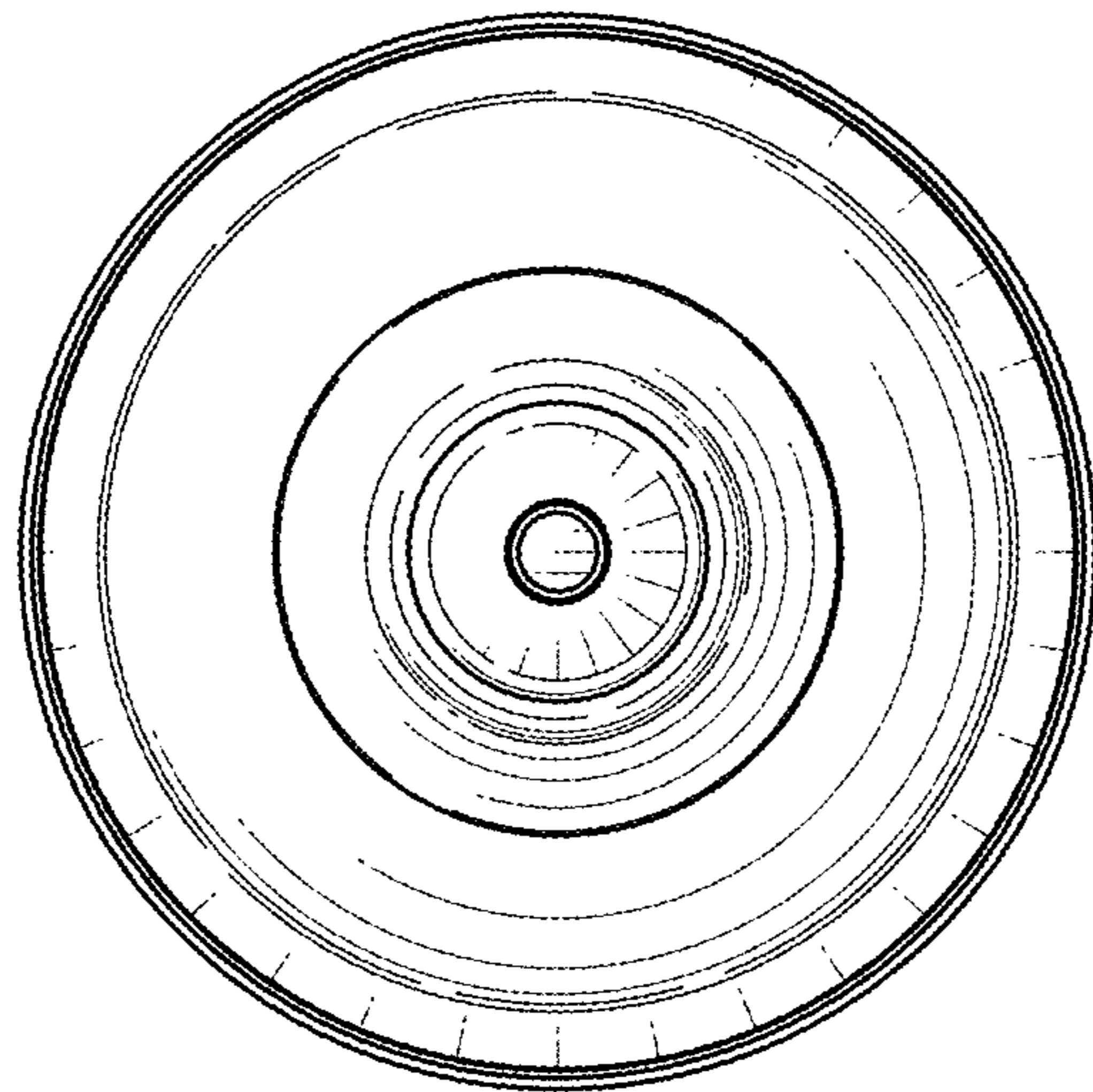


FIG. 12