



US00D948281S

(12) **United States Design Patent**
Flanagan

(10) **Patent No.:** **US D948,281 S**

(45) **Date of Patent:** **** Apr. 12, 2022**

(54) **CUP**
(71) Applicant: **Maureen Flanagan**, Harwood, MD
(US)
(72) Inventor: **Maureen Flanagan**, Harwood, MD
(US)

(**) Term: **15 Years**

(21) Appl. No.: **29/703,439**

(22) Filed: **Aug. 27, 2019**

(51) **LOC (13) Cl.** **07-01**

(52) **U.S. Cl.**
USPC **D7/509; D7/534; D24/122**

(58) **Field of Classification Search**
USPC D7/507, 510, 511, 523, 531, 532, 392.1,
D7/396.2, 534, 533; D9/517, 531;
D3/202; D27/174, 176, 187; D24/122,
D24/120, 197
CPC A47J 41/0077; A47J 41/02; B65D 47/066;
A47G 19/2288; A47G 19/22
See application file for complete search history.

(56) **References Cited**

U.S. PATENT DOCUMENTS

1,543,209	A *	6/1925	Fulton	A61J 7/0046
					604/78
D132,178	S *	4/1942	Holslag	D34/1
D249,110	S *	8/1978	Newmark	D7/509
D257,526	S *	11/1980	Herbst	D7/509
D433,802	S *	11/2000	Graham	D3/229
D687,254	S *	8/2013	Soule	D7/300
D722,824	S *	2/2015	Albert	D7/509
D741,102	S *	10/2015	Glucksman	D7/323
D745,331	S *	12/2015	Magri	D7/587
D774,834	S *	12/2016	Breit	D7/587
D779,880	S *	2/2017	Heo	D7/509
D826,001	S *	8/2018	Marshall	D7/620
D830,129	S *	10/2018	Cohn	D7/509

D884,408	S *	5/2020	Ökmen	D7/315
2001/0004080	A1 *	6/2001	Cutler	A61J 7/0046
					220/703
2002/0070225	A1 *	6/2002	Bergeron	A47G 19/2266
					220/710.5
2005/0121456	A1 *	6/2005	Cutler	B65D 3/08
					220/703
2013/0313271	A1 *	11/2013	Speciale	A47G 19/2266
					220/719

(Continued)

OTHER PUBLICATIONS

Haakaa Silicone Baby Cup—Durable Training Cup for Baby Independent Drinking https://www.amazon.com/dp/B08MFB374F/ref=cm_sw_em_r_mt_dp_N095BRQRAD2A56PF3M6J?_encoding=UTF8&psc=1 (Year: 2021).*

(Continued)

Primary Examiner — Jae Liang
(74) *Attorney, Agent, or Firm* — Haugen Law Firm PLLP

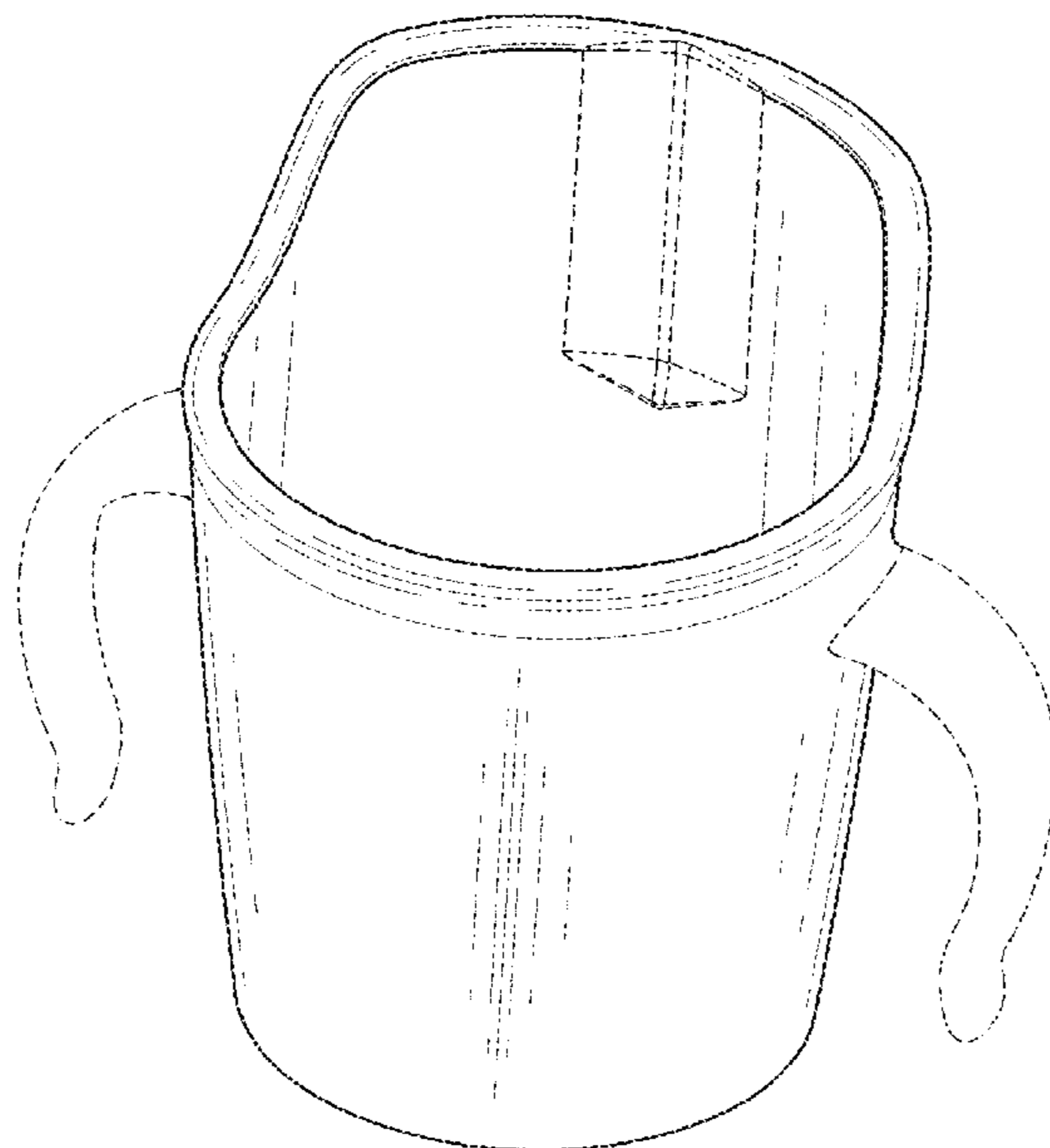
(57) **CLAIM**

The ornamental design for a cup, as shown and described.

DESCRIPTION

FIG. 1 is a perspective view of a cup showing my new design;
FIG. 2 is a front elevational view of the present invention;
FIG. 3 is a rear elevational view of the present invention;
FIG. 4 is a right side elevational view of the present invention;
FIG. 5 is a left side elevational view of the present invention;
FIG. 6 is a top plan view of the present invention; and,
FIG. 7 is a bottom plan view of the present invention.
The broken line showing of environmental structure is for illustrative purposes only, and forms no part of the claimed design.

1 Claim, 7 Drawing Sheets



(56)

References Cited

U.S. PATENT DOCUMENTS

2016/0073807 A1* 3/2016 Zeitchick A47G 19/2266
426/2

OTHER PUBLICATIONS

<https://www.amazon.com/NRS-Nosey-Cup-Handles-without/dp/B00ZAJVHR6> (Year: 2015).*

https://www.amazon.com/Flexi-Nosey-Cup-Combo-Each/dp/B00HNXLB6Y/ref=asc_df_B00HNXLB6Y/?tag=hyprod-20&linkCode=df0&hvadid=475772420147&hvpos=&hvnetw=g&hvrnd=16207756352336529029&hvpon=&hvptwo=&hvqmt=&hvdev=c&hvdvcmdl=&hvlocint=&hvlocphy=9008168&hvtargid=pla-1187670045991&psc=1 (Year: 2014).*

<https://www.amazon.com/Maddak-Light-Blue-Nosey-745930013/dp/B0039XYBYQ> (Year: 2012).*

* cited by examiner

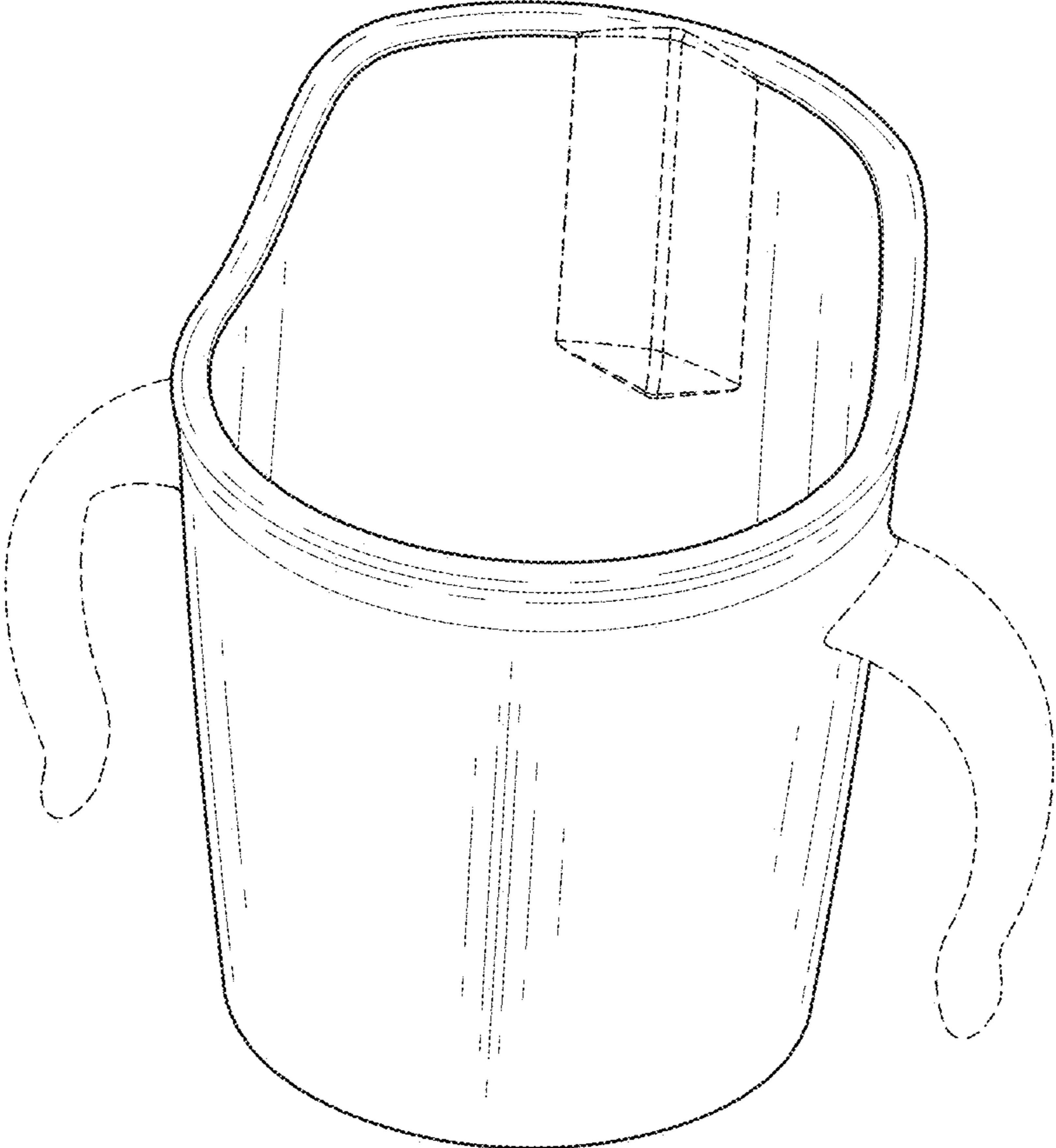


FIG. 1

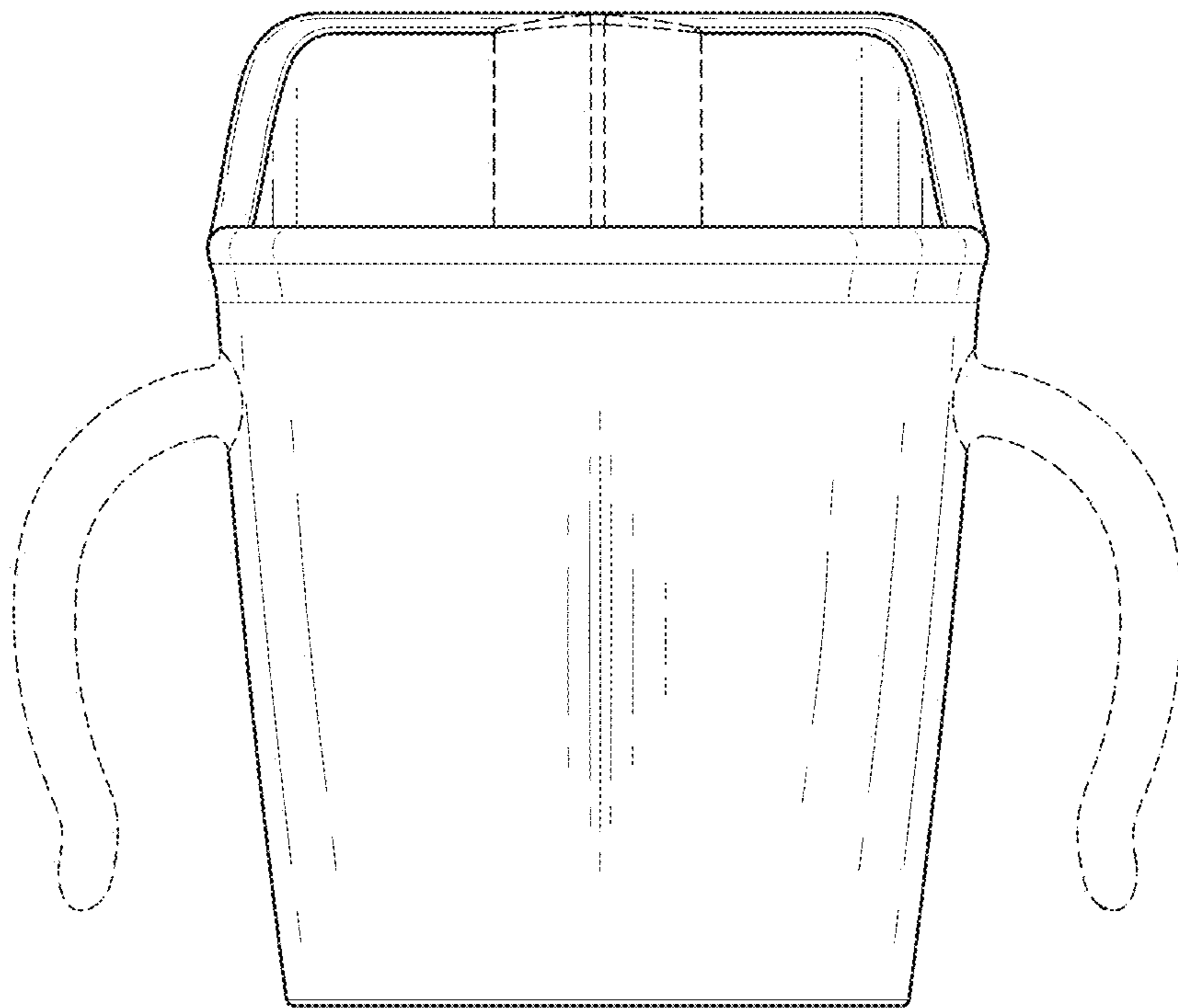


FIG. 2

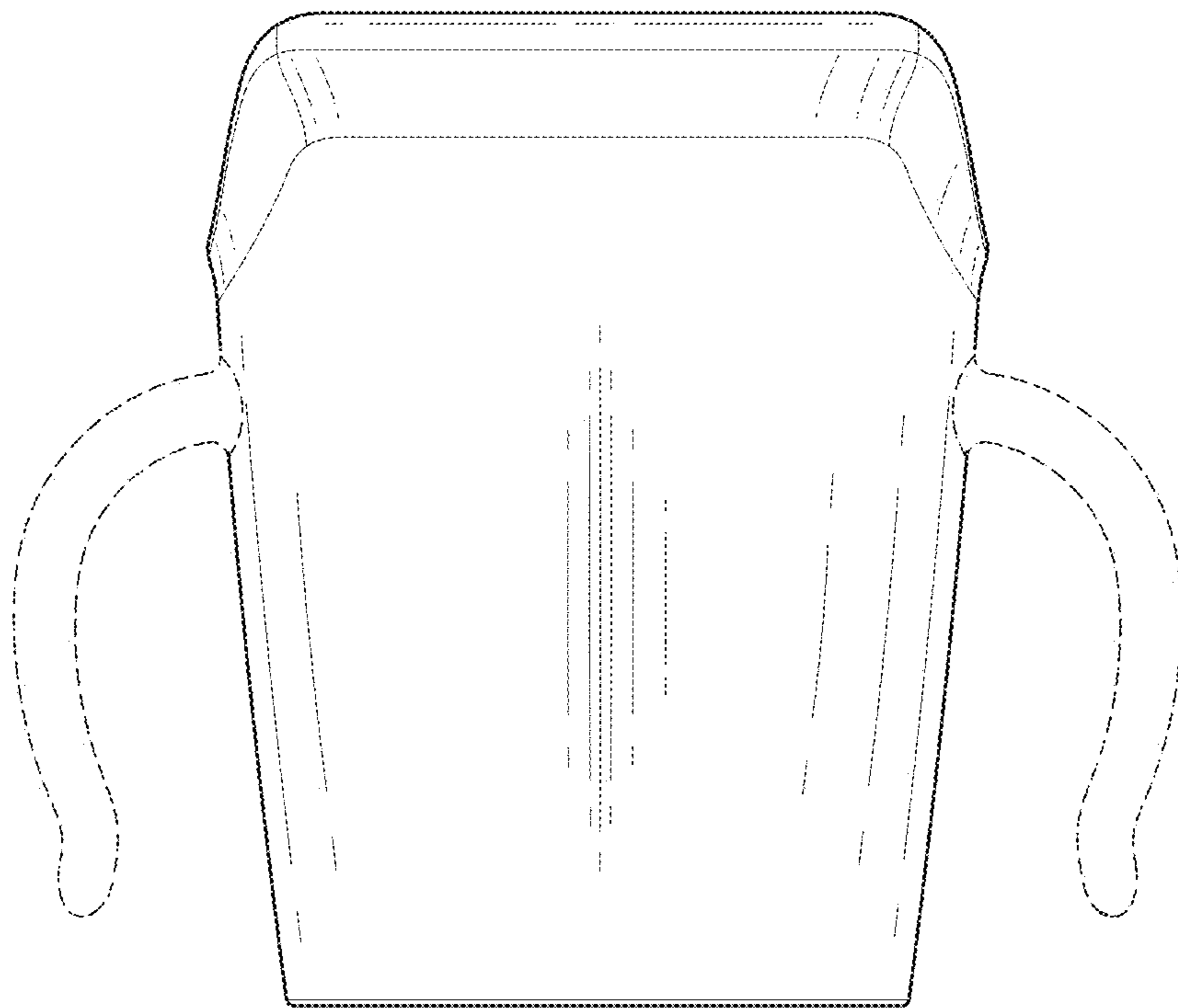


FIG. 3

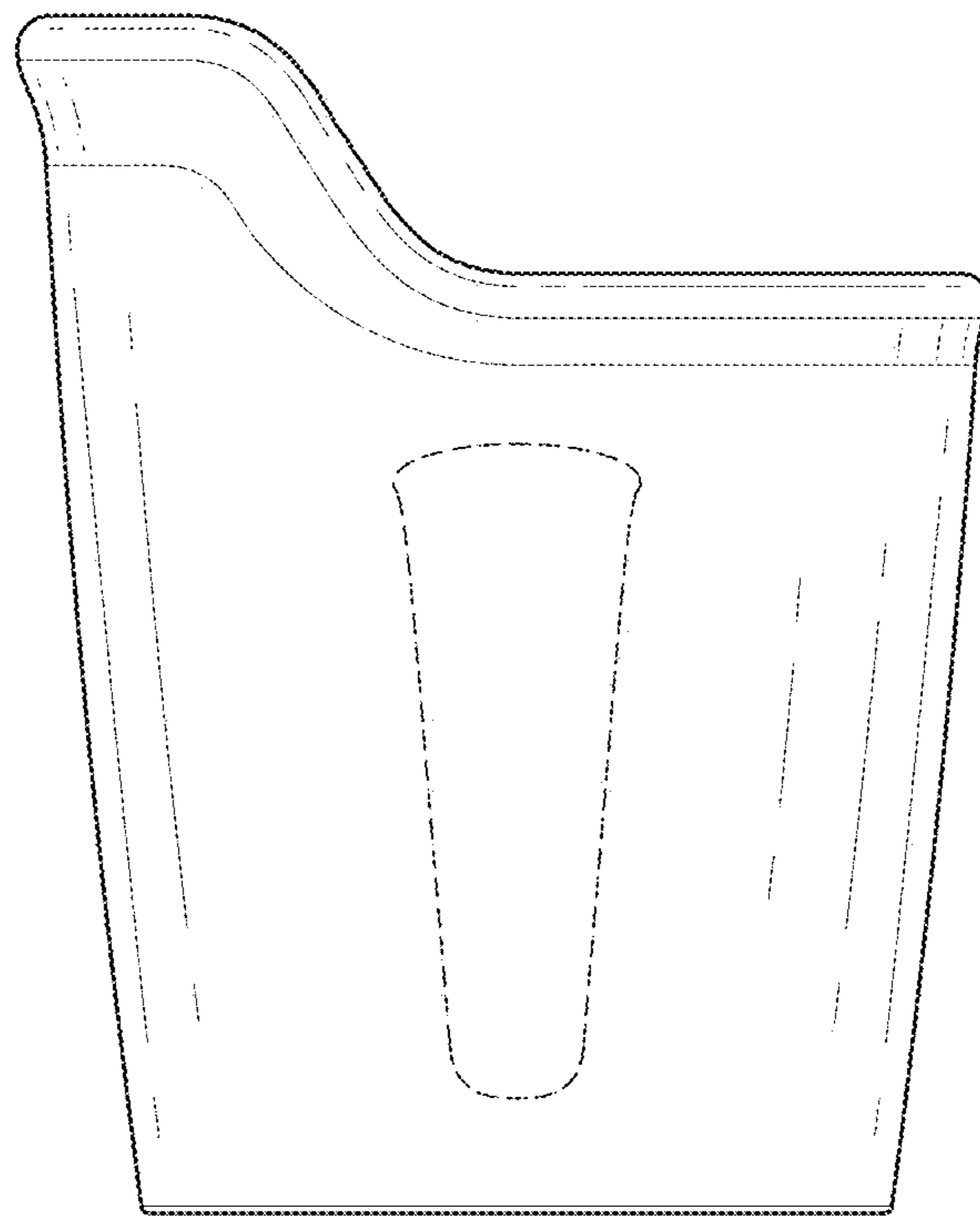


FIG. 4

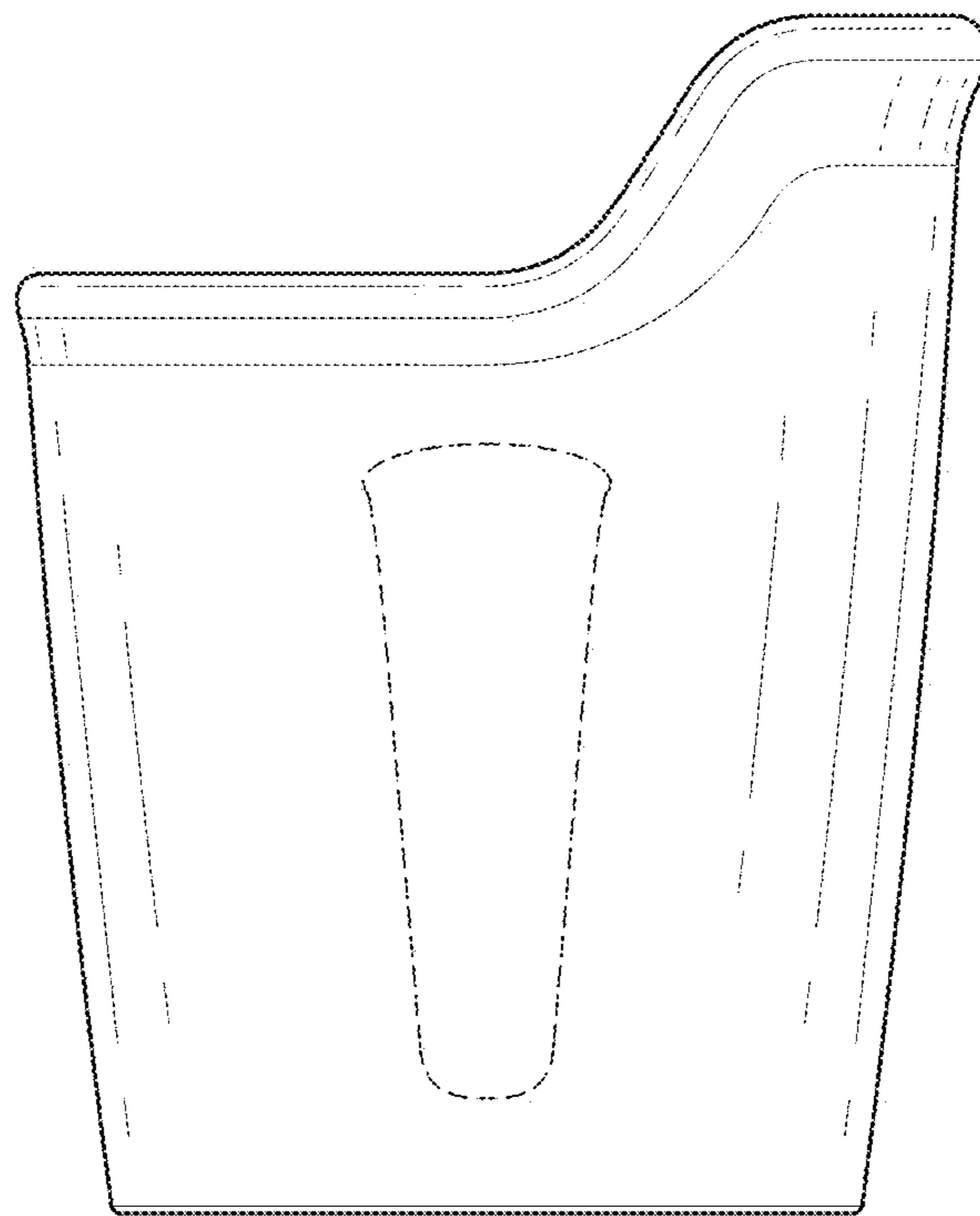


FIG. 5

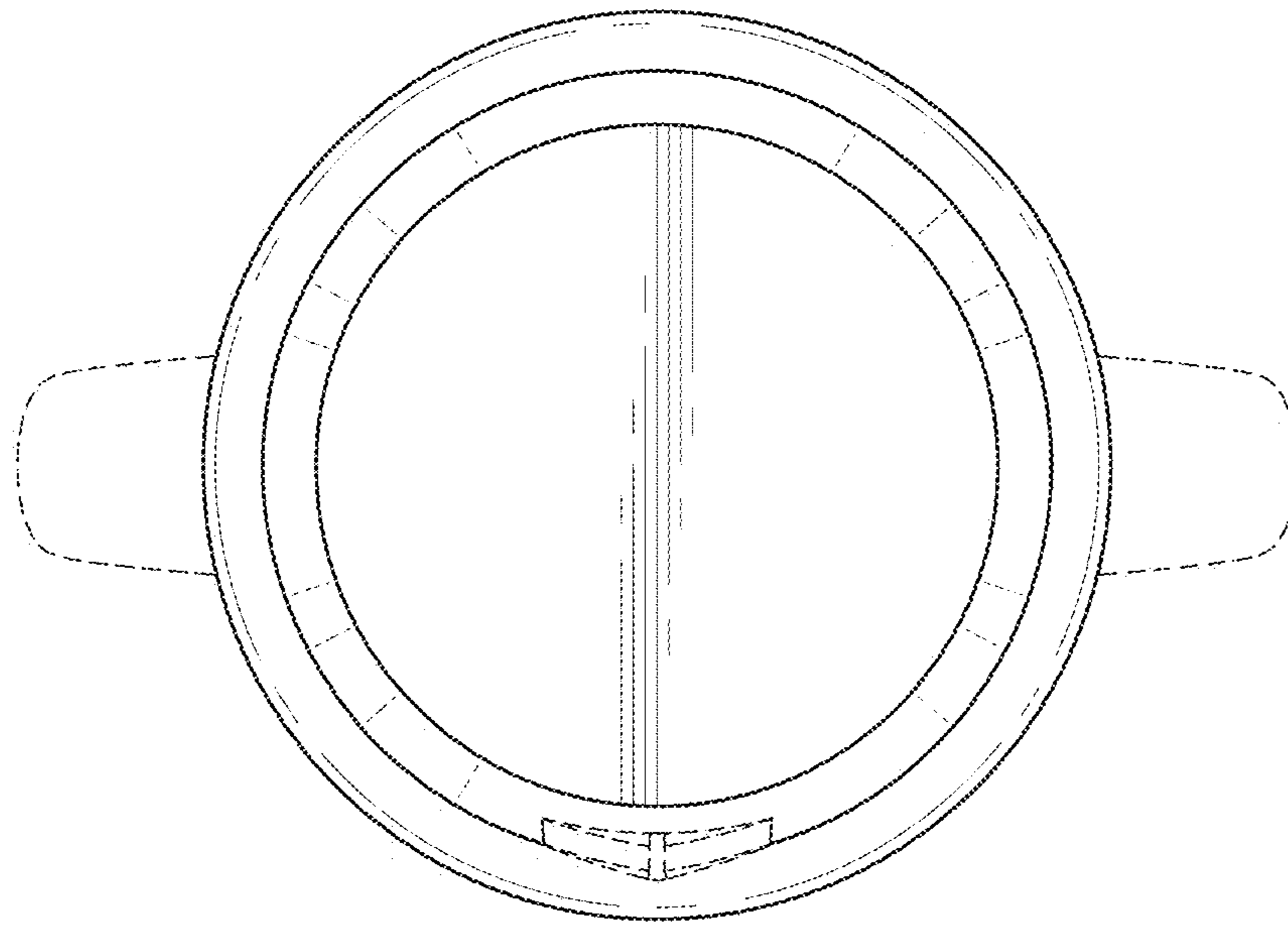


FIG. 6

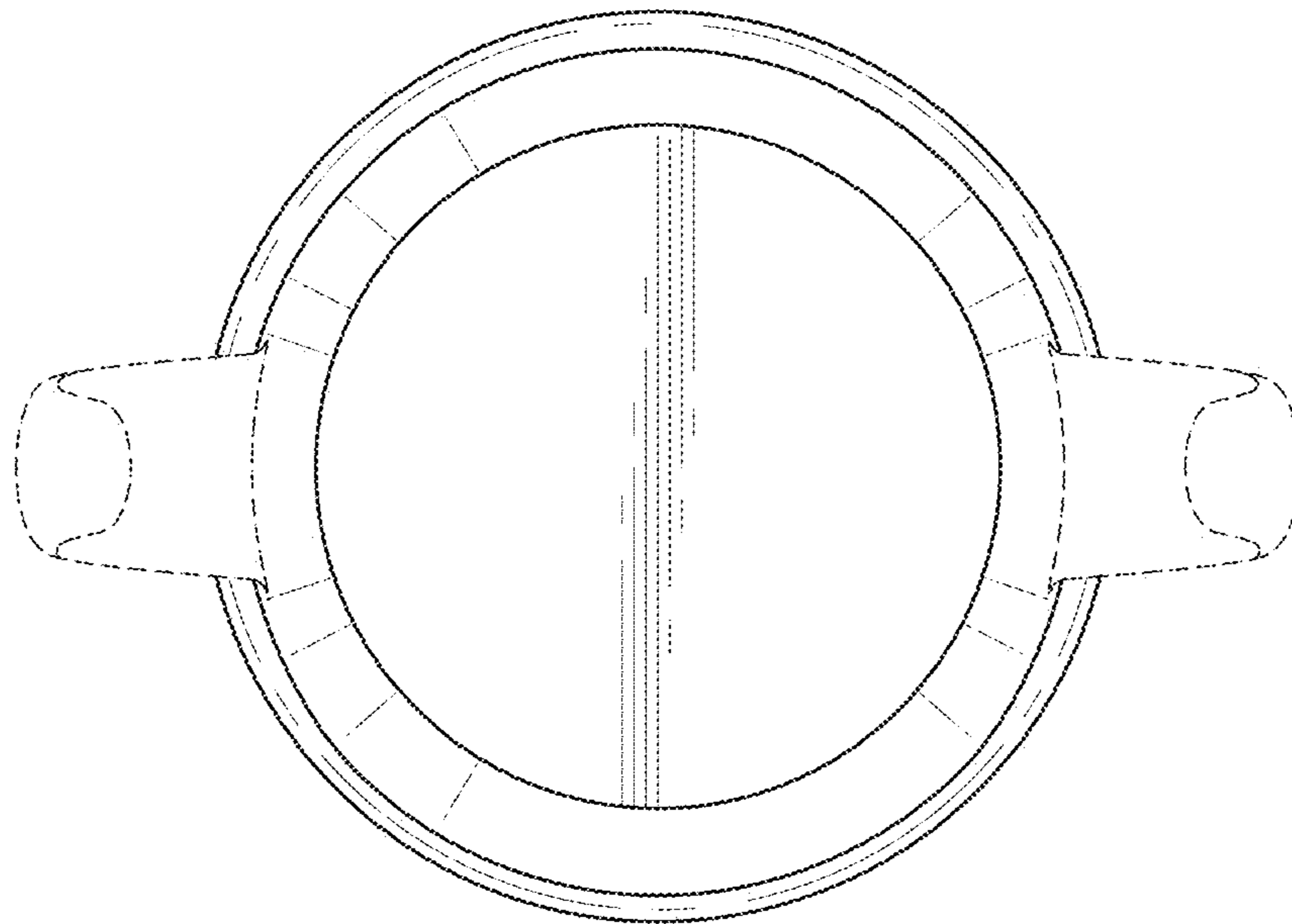


FIG. 7