



US00D948276S

(12) **United States Design Patent** (10) **Patent No.:** **US D948,276 S**
Wu (45) **Date of Patent:** **** Apr. 12, 2022**

(54) **COOKING PAN**
(71) Applicant: **Liangzhuan Wu**, Jieyang (CN)
(72) Inventor: **Liangzhuan Wu**, Jieyang (CN)
(**) Term: **15 Years**
(21) Appl. No.: **29/781,440**
(22) Filed: **Apr. 29, 2021**
(51) **LOC (13) Cl.** **07-02**
(52) **U.S. Cl.**
USPC **D7/361; D7/354**
(58) **Field of Classification Search**
USPC D3/276; D7/323, 354–363, 391,
D7/393–396, 409, 543; D28/85
CPC A47G 19/12; A47J 27/00; A47J 27/002;
A47J 27/08; A47J 27/21; A47J 27/58;
A47J 36/025; A47J 36/06; A47J 36/12;
A47J 37/00; A47J 37/10; A47J 37/101;
A47J 37/103; A47J 37/12; A47J 37/1204;
A47J 45/061; A47J 45/071; A47J 45/08;
H05B 6/12
See application file for complete search history.

(56) **References Cited**
U.S. PATENT DOCUMENTS
D92,033 S * 4/1934 De Sakhnoffsky D7/361
D218,345 S * 8/1970 Aubecq D7/361

D651,844 S 1/2012 Cloutier et al.
D688,042 S * 8/2013 King D3/276
D828,960 S * 9/2018 Shugar D28/85
D834,875 S 12/2018 Feng et al.
D850,186 S * 6/2019 Livingston D7/361
D874,225 S * 2/2020 Larsen D7/543
2018/0199401 A1 * 7/2018 Moon A47J 27/00

OTHER PUBLICATIONS

KYTD Carbon Steel Wok Pan. Date First Available on Amazon.com Oct. 6, 2020. <https://www.amazon.com/Carbon-Steel-Wok-Pan-Traditional/dp/B08KZFGP41/ref> (Year: 2020).*

* cited by examiner

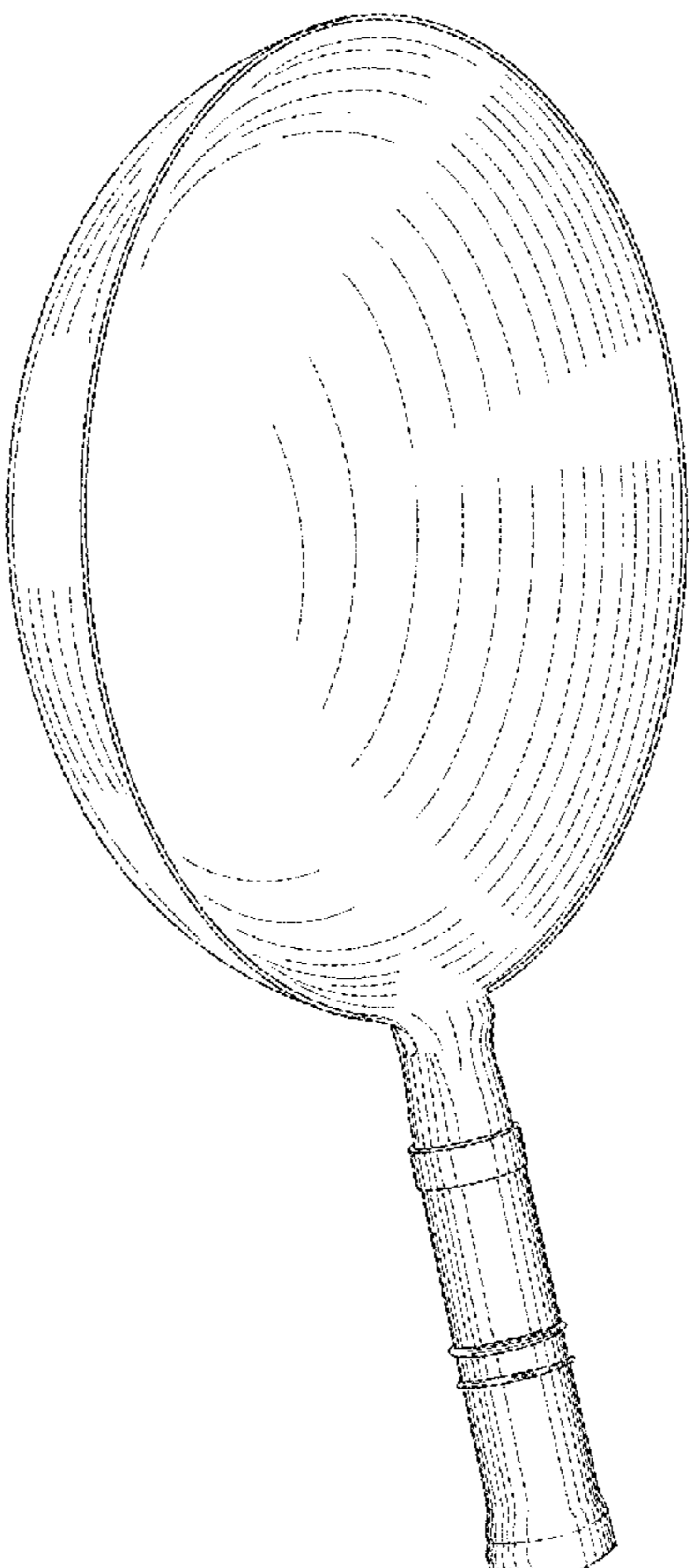
Primary Examiner — Ricky Pham

(57) **CLAIM**
The ornamental design for a cooking pan, as shown and described.

DESCRIPTION

FIG. 1 is a perspective view of a cooking pan showing my new design;
FIG. 2 is a front elevational view thereof;
FIG. 3 is a rear elevational view thereof;
FIG. 4 is a left side elevational view thereof;
FIG. 5 is a right side elevational view thereof;
FIG. 6 is a bottom plan view thereof;
FIG. 7 is a top plan view thereof; and,
FIG. 8 is an enlarged view of portion 8 shown in FIG. 4.

1 Claim, 8 Drawing Sheets



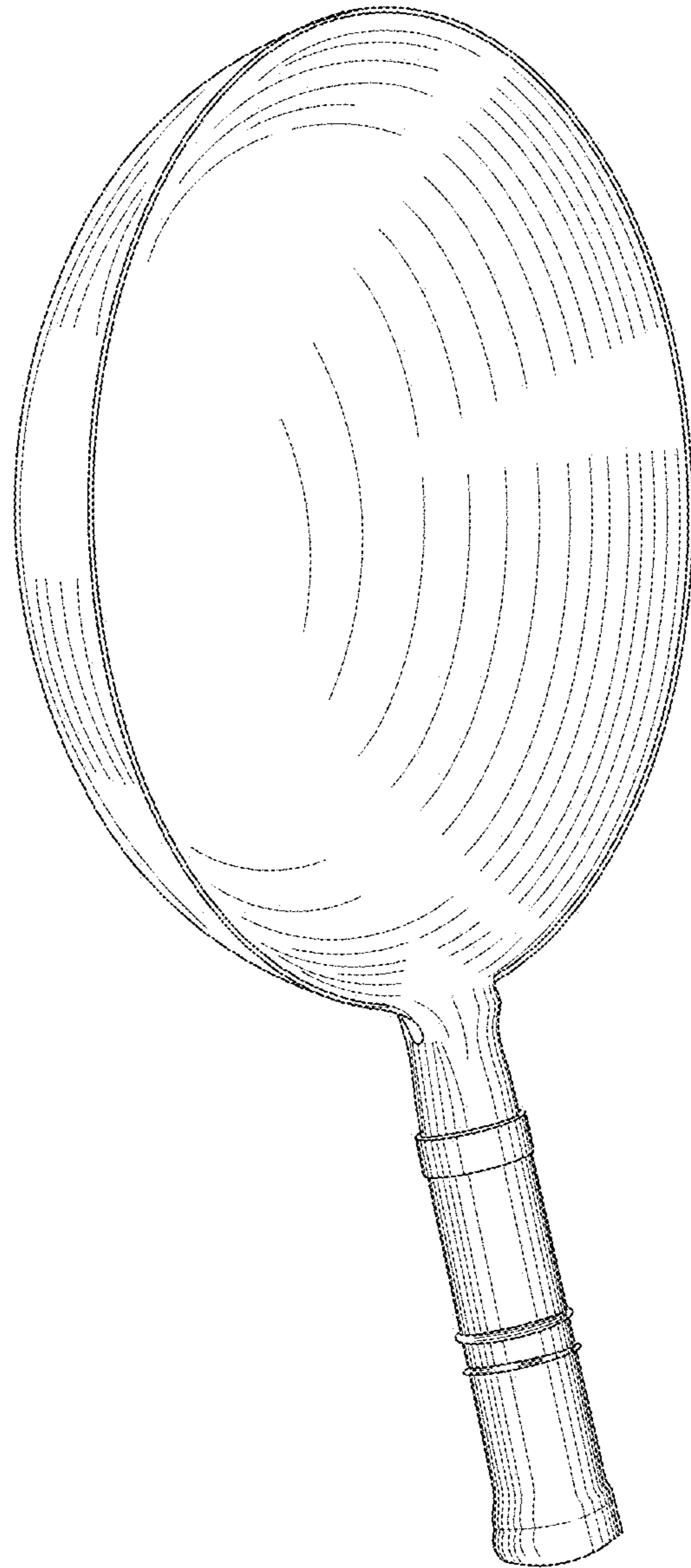


FIG. 1

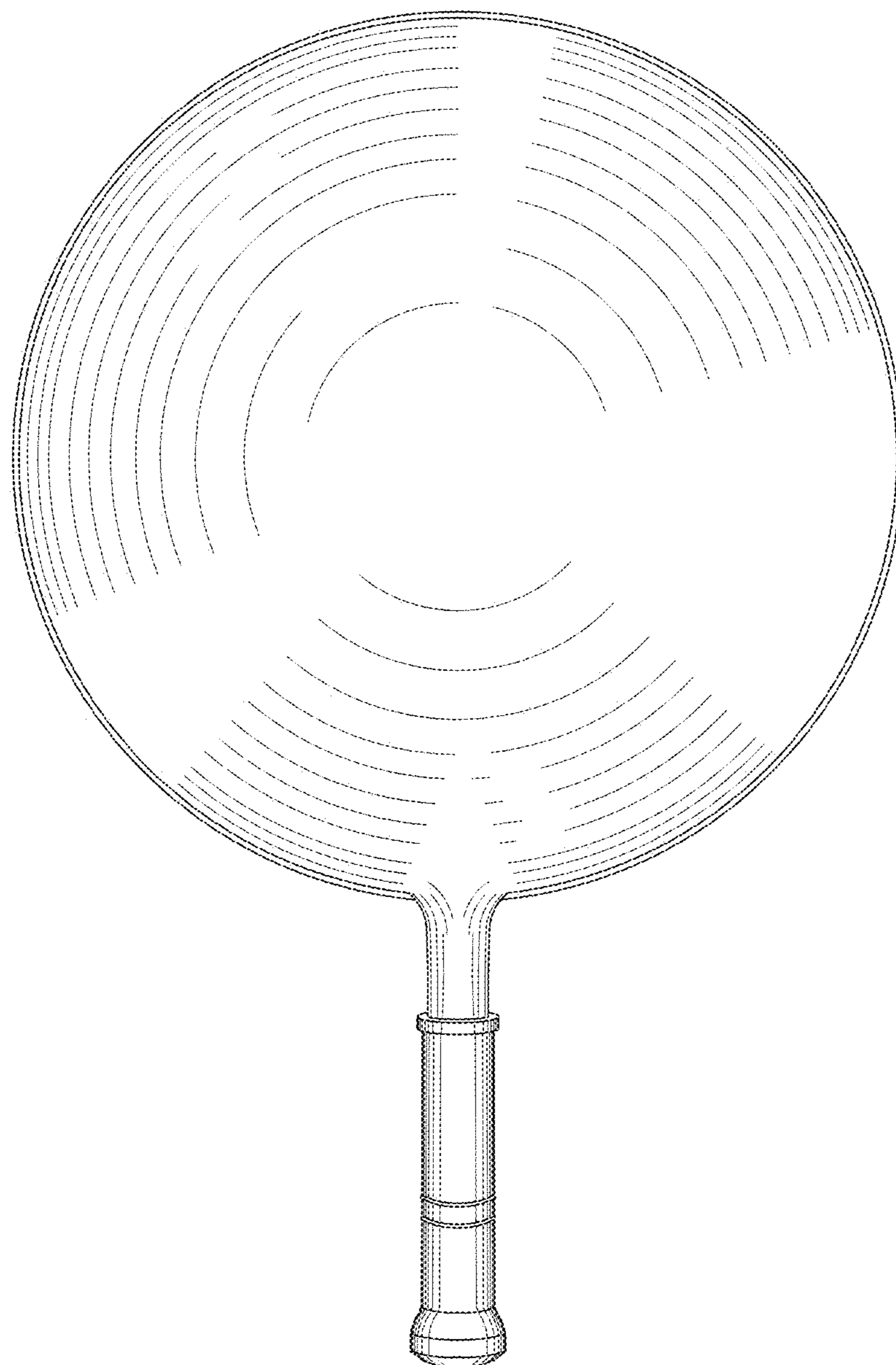


FIG. 2

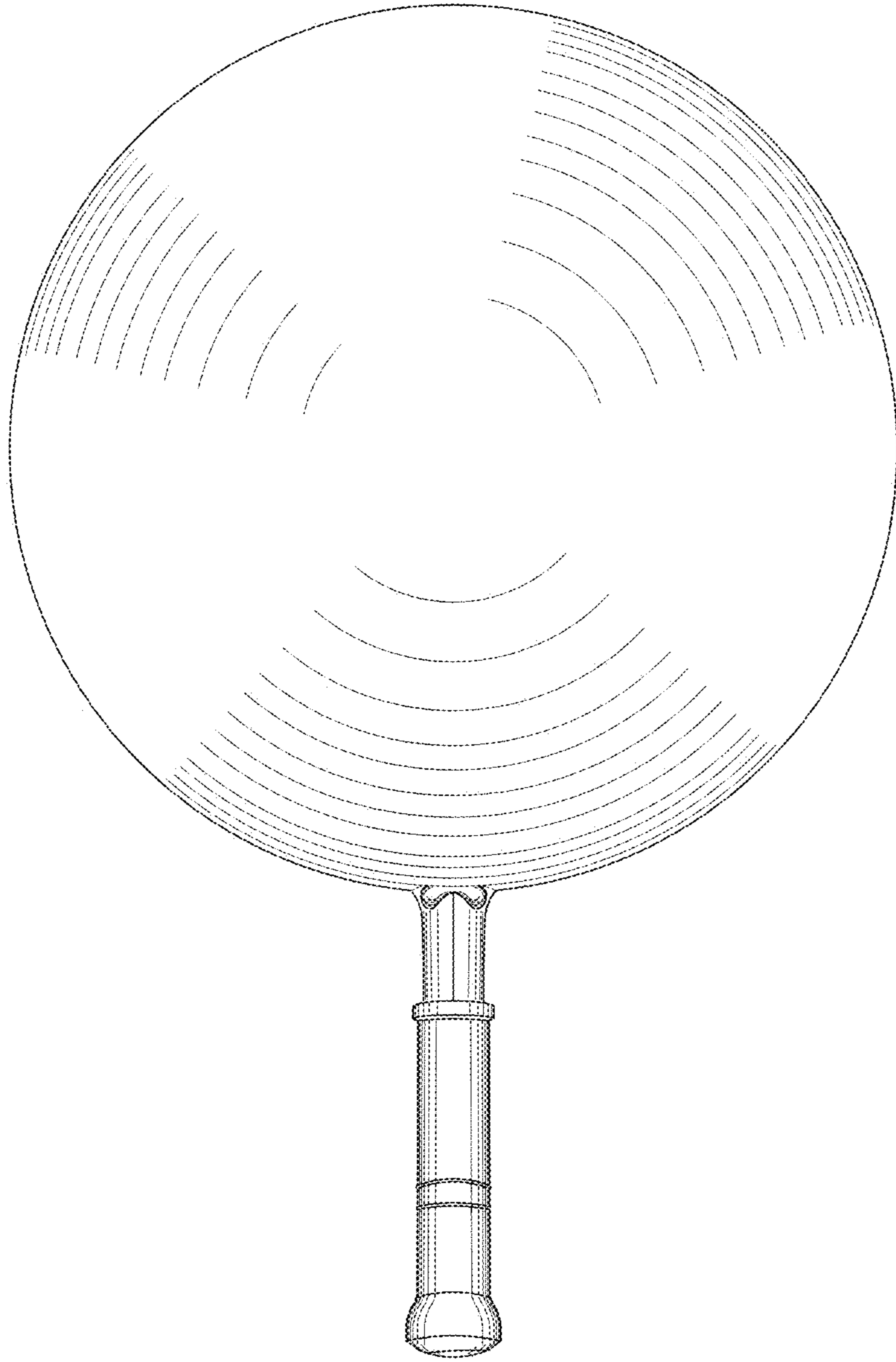


FIG. 3

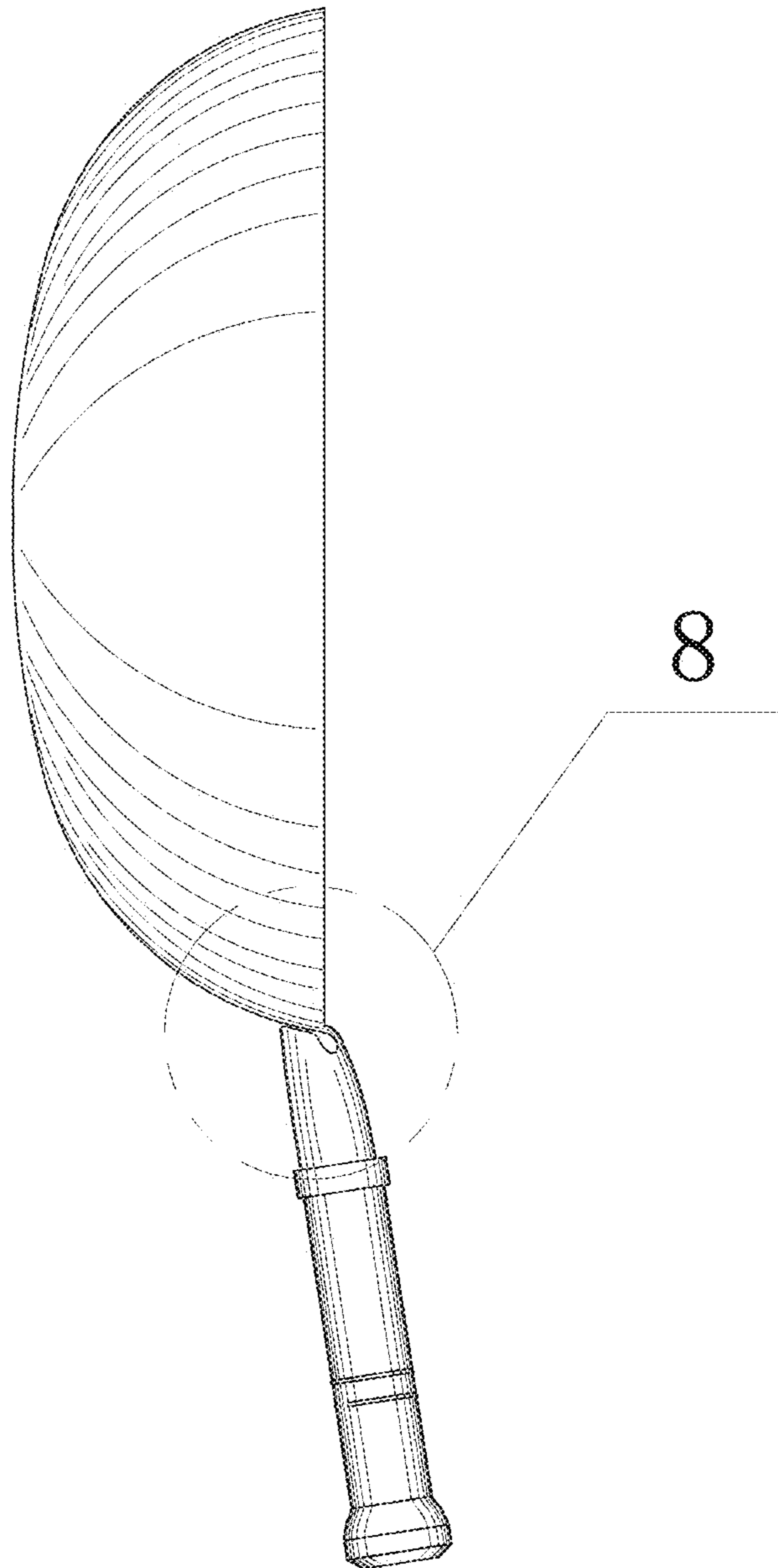


FIG. 4

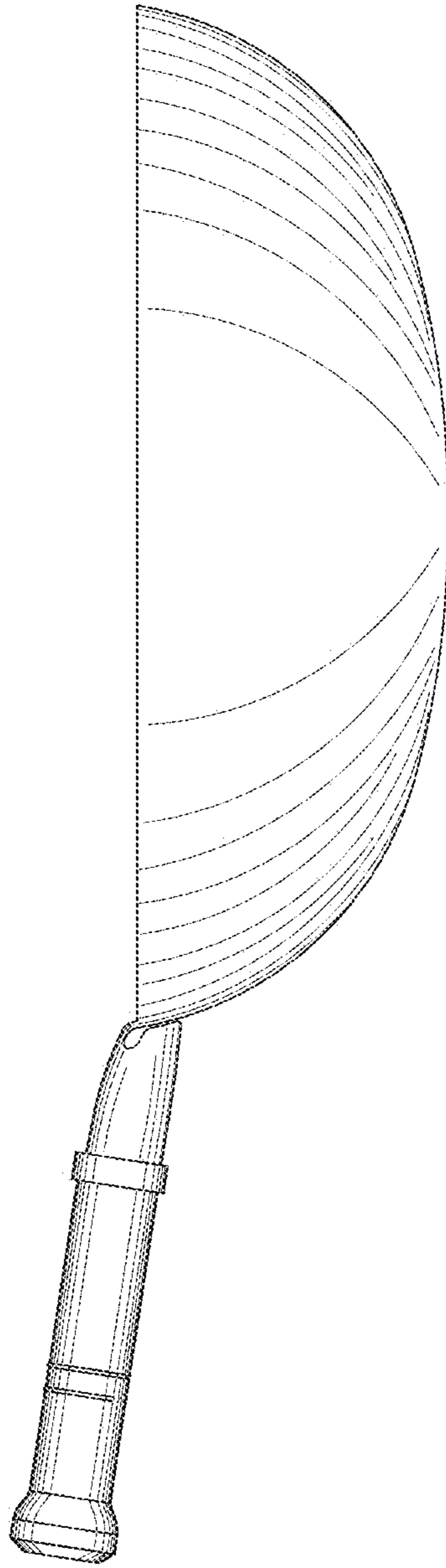


FIG. 5

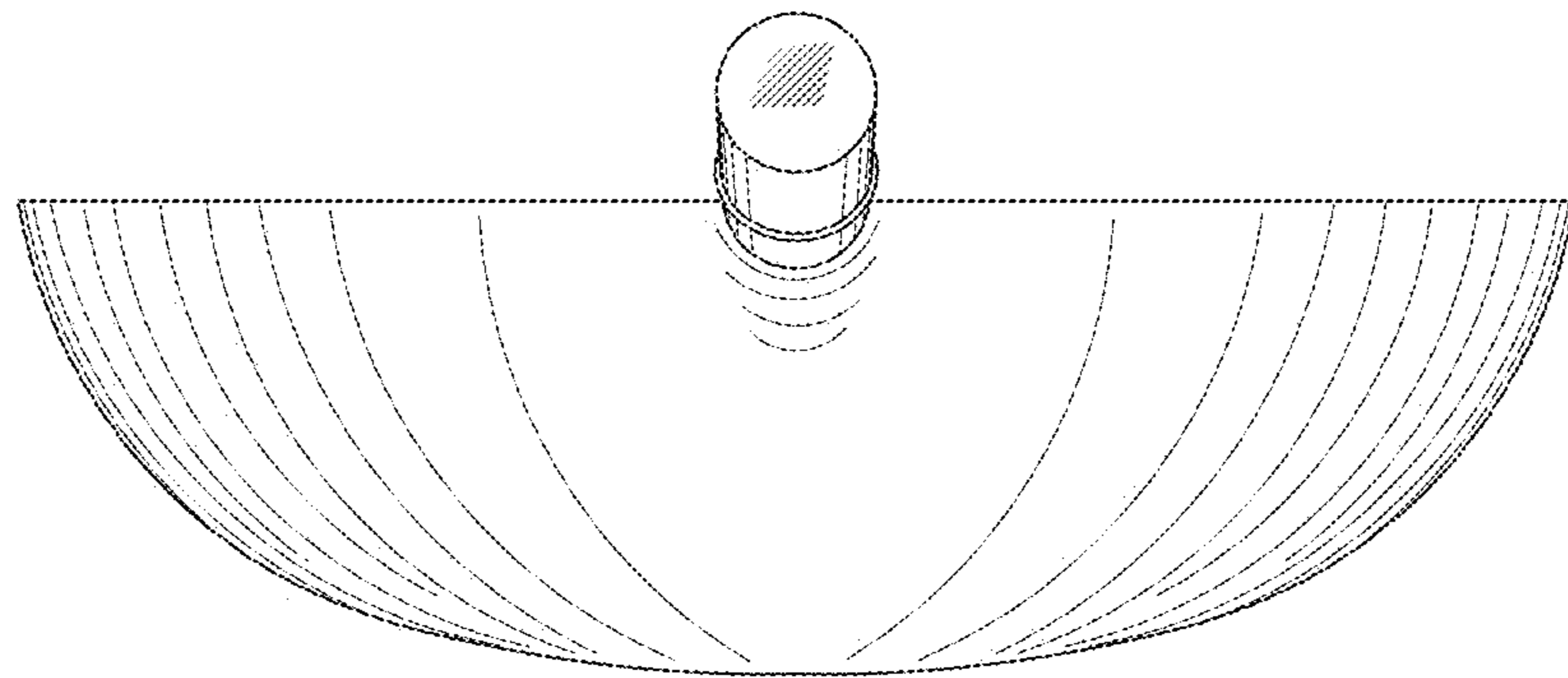


FIG.6

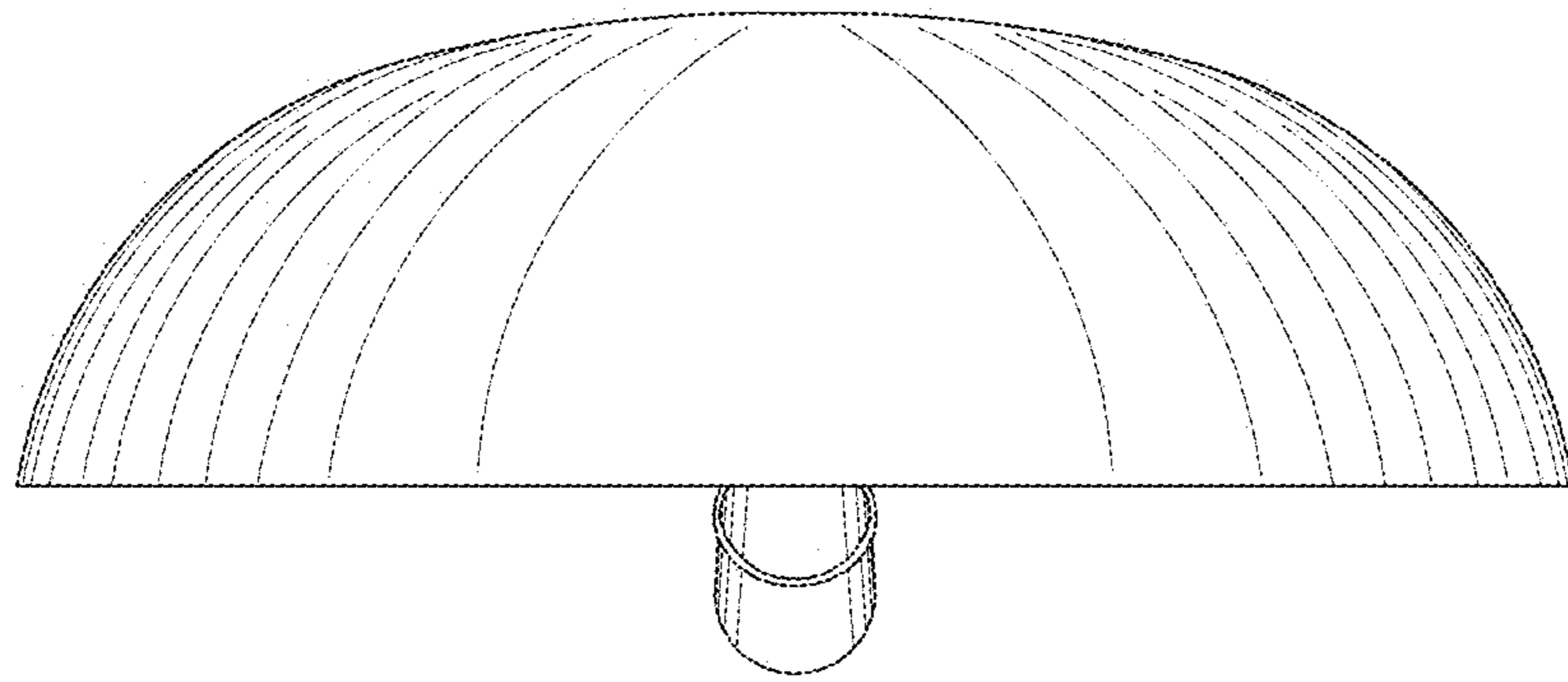


FIG. 7

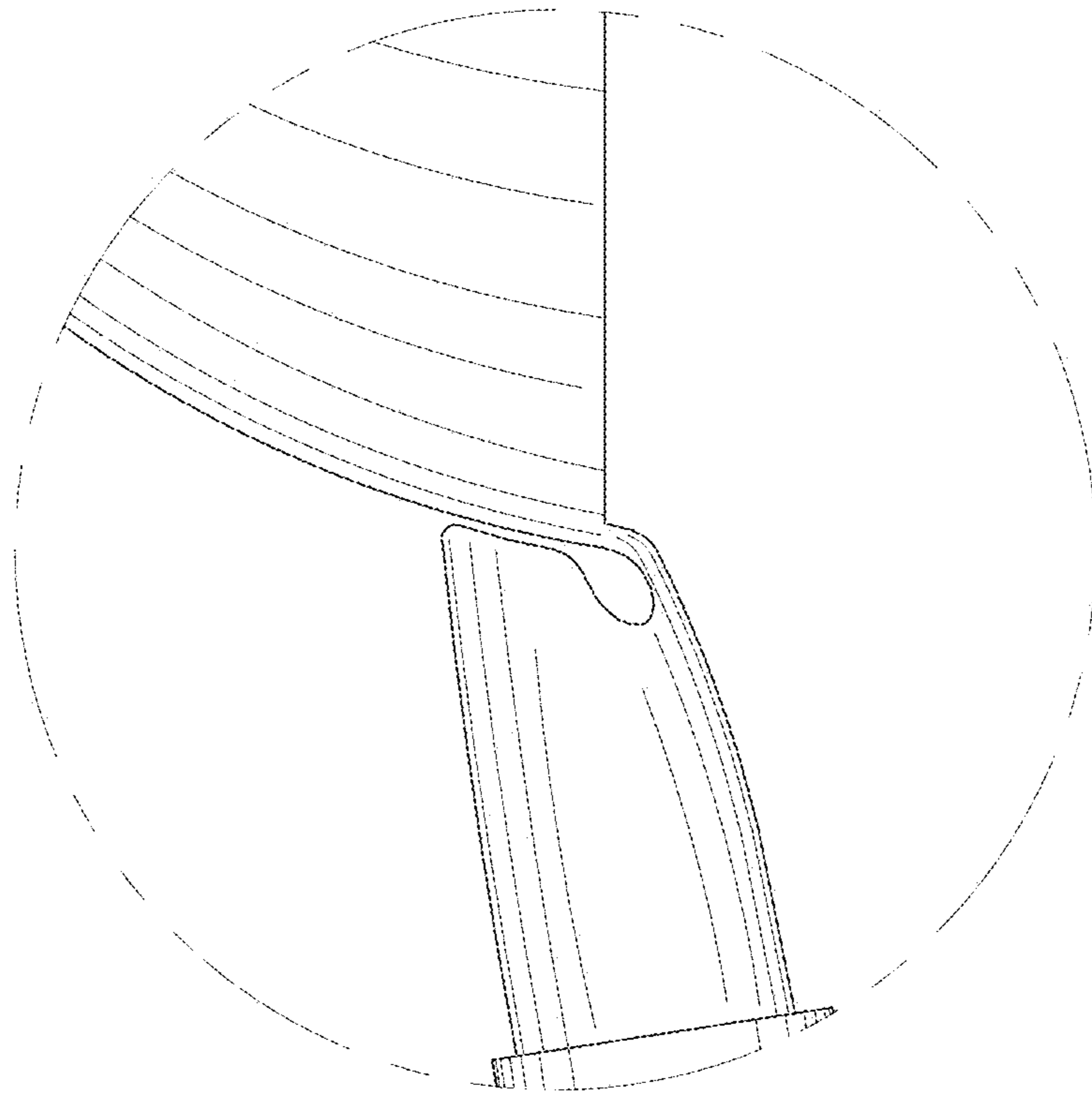


FIG. 8