



US00D948275S

(12) **United States Design Patent**
Finnance

(10) **Patent No.:** **US D948,275 S**
(45) **Date of Patent:** **** Apr. 12, 2022**

- (54) **OVEN**
- (71) Applicant: **Capbran Holdings, LLC**, Los Angeles, CA (US)
- (72) Inventor: **Robert Finnance**, Los Angeles, CA (US)
- (73) Assignee: **Capbran Holdings, LLC**, Los Angeles, CA (US)

D668,505 S * 10/2012 Shrader D7/403
 D704,983 S * 5/2014 Yoon D7/351
 D717,579 S * 11/2014 Gregory D7/350.4
 (Continued)

(**) Term: **15 Years**

(21) Appl. No.: **29/758,362**

(22) Filed: **Nov. 13, 2020**

(51) **LOC (13) Cl.** **07-02**

(52) **U.S. Cl.**
USPC **D7/350.1**

(58) **Field of Classification Search**
 USPC D7/309, 323, 328, 334, 337, 339, 340,
 D7/341, 346, 348, 350.1, 350.3, 350.4,
 D7/351, 352, 354-368, 373, 402, 403,
 D7/406, 407, 601; D21/524, 525
 CPC .. H05B 1/0263; H05B 2206/042; H05B 6/12;
 H05B 6/64; H05B 6/6402; H05B 6/6426;
 H05B 6/647; A21B 1/08; A21B 1/24;
 A21B 1/33; A21B 1/52; A21B 2/00;
 A21B 3/04; A47J 37/00; A47J 37/0763;
 A47J 37/08

See application file for complete search history.

(56) **References Cited**

U.S. PATENT DOCUMENTS

D276,122 S * 10/1984 Tanaka D7/351
 D297,800 S * 9/1988 Feil D7/351
 D510,230 S * 10/2005 Taira D7/351
 D539,073 S * 3/2007 Kanza D7/351
 D587,959 S * 3/2009 Hensel D7/350.1
 D662,759 S * 7/2012 Blacken D7/328
 D663,156 S * 7/2012 Curtis D7/350.1

FOREIGN PATENT DOCUMENTS

CA 128066 * 8/2009
 CN 301127377 * 2/2010
 CN 302893130 * 7/2014

OTHER PUBLICATIONS

De'Longhi Compact Digital Oven, posted at Amazon.com on May 21, 2018, [site visited Feb. 10, 2022]. Available from internet, URL: <<https://www.amazon.com/dp/B07D774K4Y/>> (Year: 2018).*

(Continued)

Primary Examiner — Andrew Kerr
Assistant Examiner — Chariton Alexakis
 (74) *Attorney, Agent, or Firm* — Trojan Law Offices

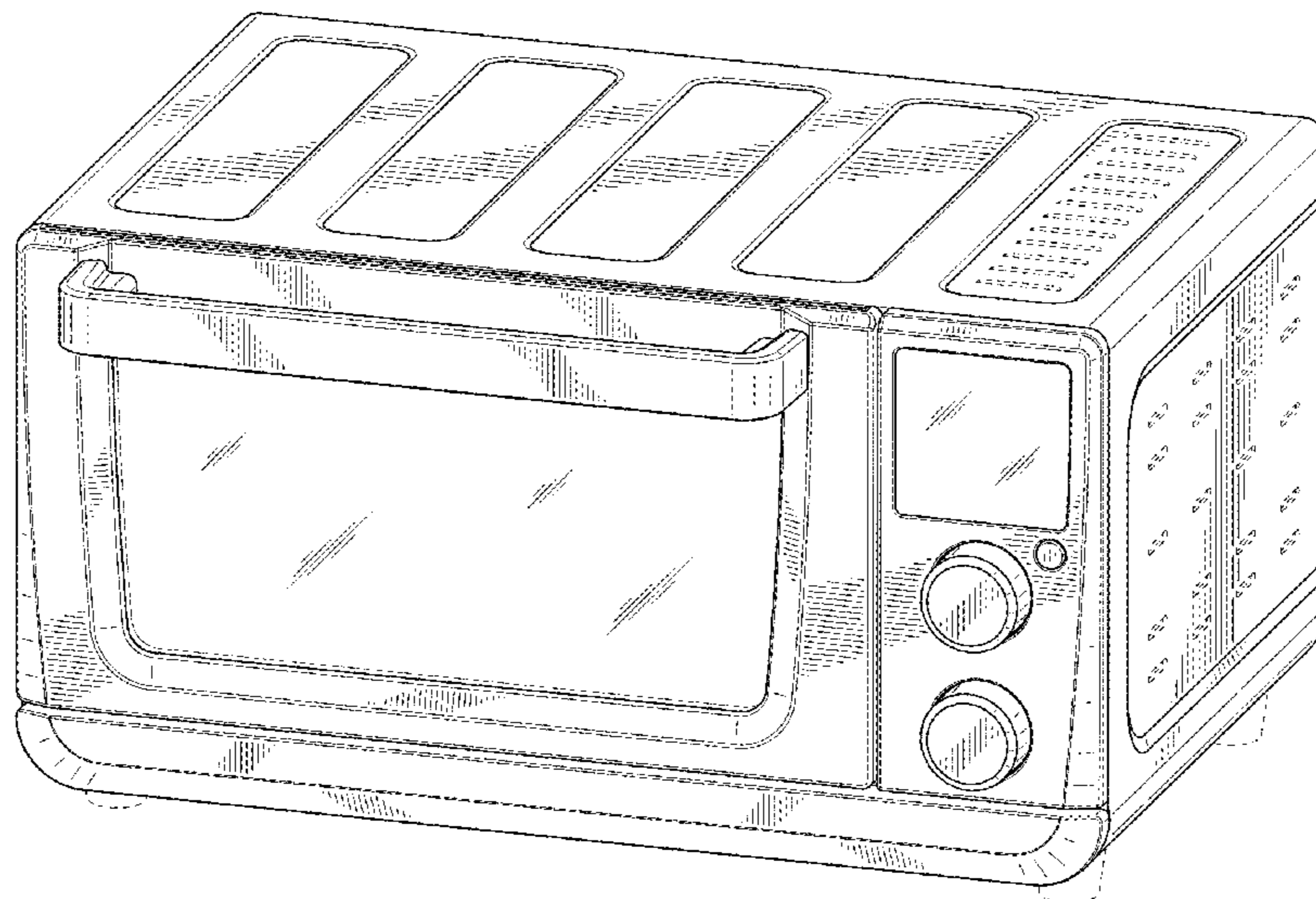
(57) **CLAIM**

The ornamental design for an oven, as shown and described.

DESCRIPTION

FIG. 1 is a front perspective view of an oven showing my new design;
 FIG. 2 is a back perspective view of the oven of FIG. 1;
 FIG. 3 is a left side perspective view of the oven of FIG. 1;
 FIG. 4 is a right side perspective view of the oven of FIG. 1;
 FIG. 5 is a front view of the oven of FIG. 1;
 FIG. 6 is a back view of the oven of FIG. 1;
 FIG. 7 is a left view of the oven of FIG. 1;
 FIG. 8 is a right view of the oven of FIG. 1;
 FIG. 9 is a top view of the oven of FIG. 1; and,
 FIG. 10 is a bottom view of the oven of FIG. 1.
 The broken lines in the drawings depict portions of the oven that form no part of the claimed design.

1 Claim, 8 Drawing Sheets



(56)

References Cited

U.S. PATENT DOCUMENTS

D736,554 S * 8/2015 Steiner F24C 3/122
D7/350.1
9,474,413 B2 * 10/2016 Romandy A47J 37/0629
2014/0021835 A1 * 1/2014 Hensel A47J 47/005
312/126
2016/0029829 A1 * 2/2016 Klein A47J 37/08
99/332
2018/0238560 A1 * 8/2018 Deng F24C 3/122
2018/0325311 A1 * 11/2018 Feldman F24C 7/04

OTHER PUBLICATIONS

CROWNFUL Air Fryer Toaster Oven, posted at Amazon.com on Jul. 24, 2020, [site visited Feb. 10, 2022]. Available from internet, URL: <<https://www.amazon.com/CROWNFUL-Convection-Rotisserie-Dehydrator-Accessories/dp/B08DKYDTYD?th=1>> (Year: 2020).*

COSORI Air FryerToaster, posted at Amazon.com on Aug. 31, 2020, [site visited Feb. 10, 2022]. Available from internet, URL: <<https://www.amazon.com/dp/B0895G46CG/>> (Year: 2020).*

Calphalon Air Fry Convection Oven, posted at Amazon.com on Sep. 1, 2020, [site visited Feb. 10, 2022]. Available from internet, URL: <<https://www.amazon.com/Calphalon-Performance-Convection-Countertop-Stainless/dp/B08BH24R3T/>> (Year: 2020).*

* cited by examiner

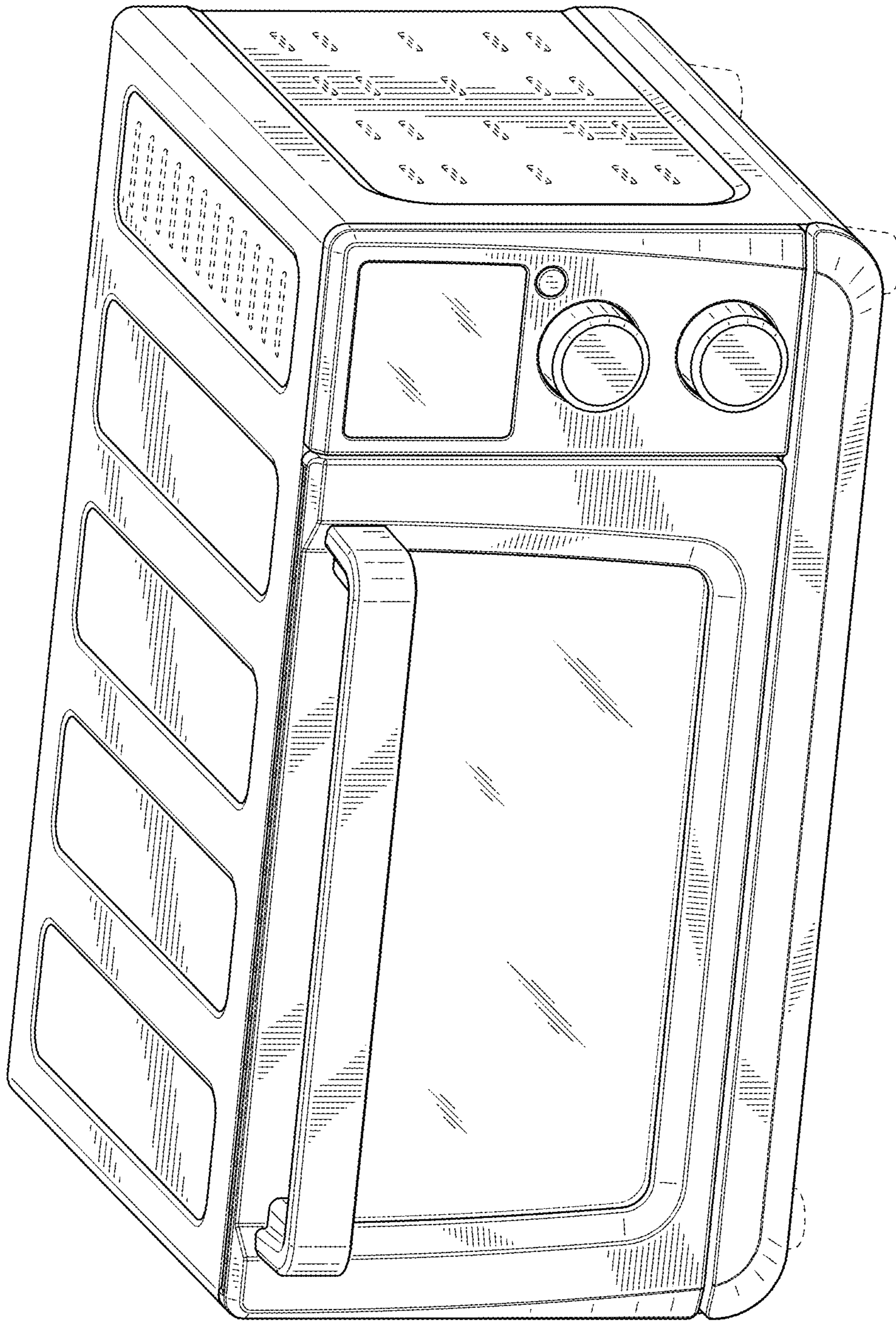


FIG. 1

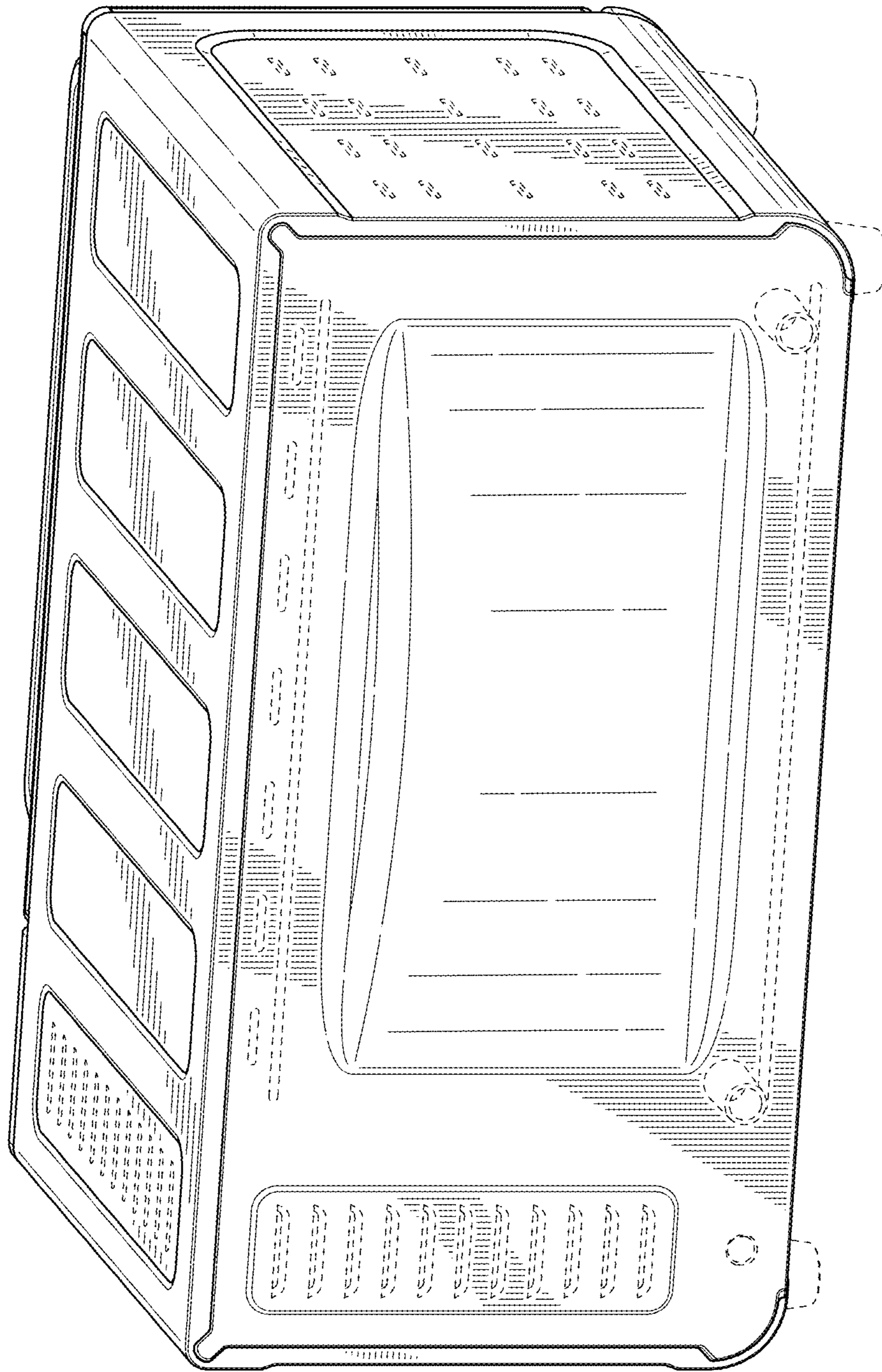


FIG. 2

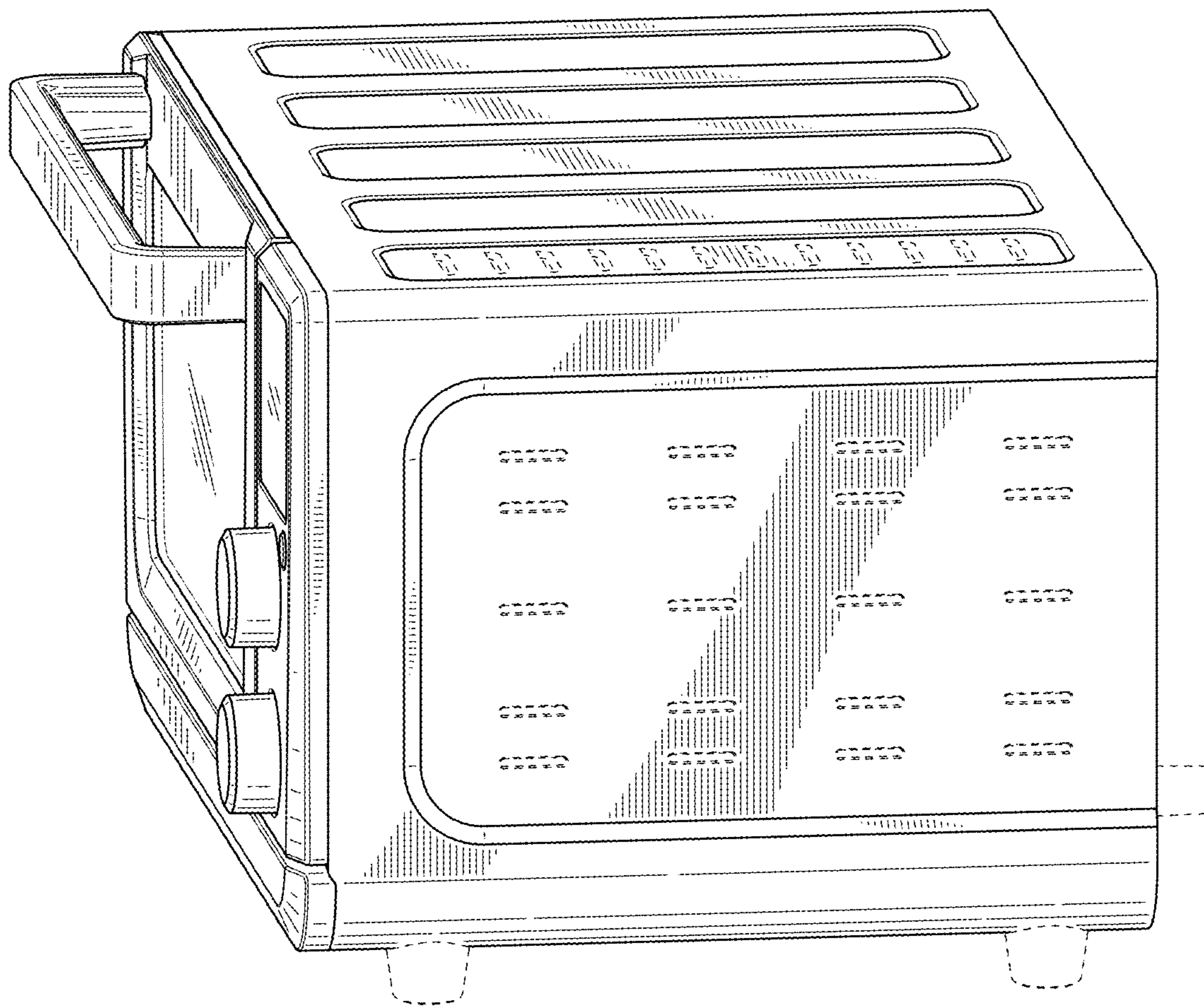


FIG. 3

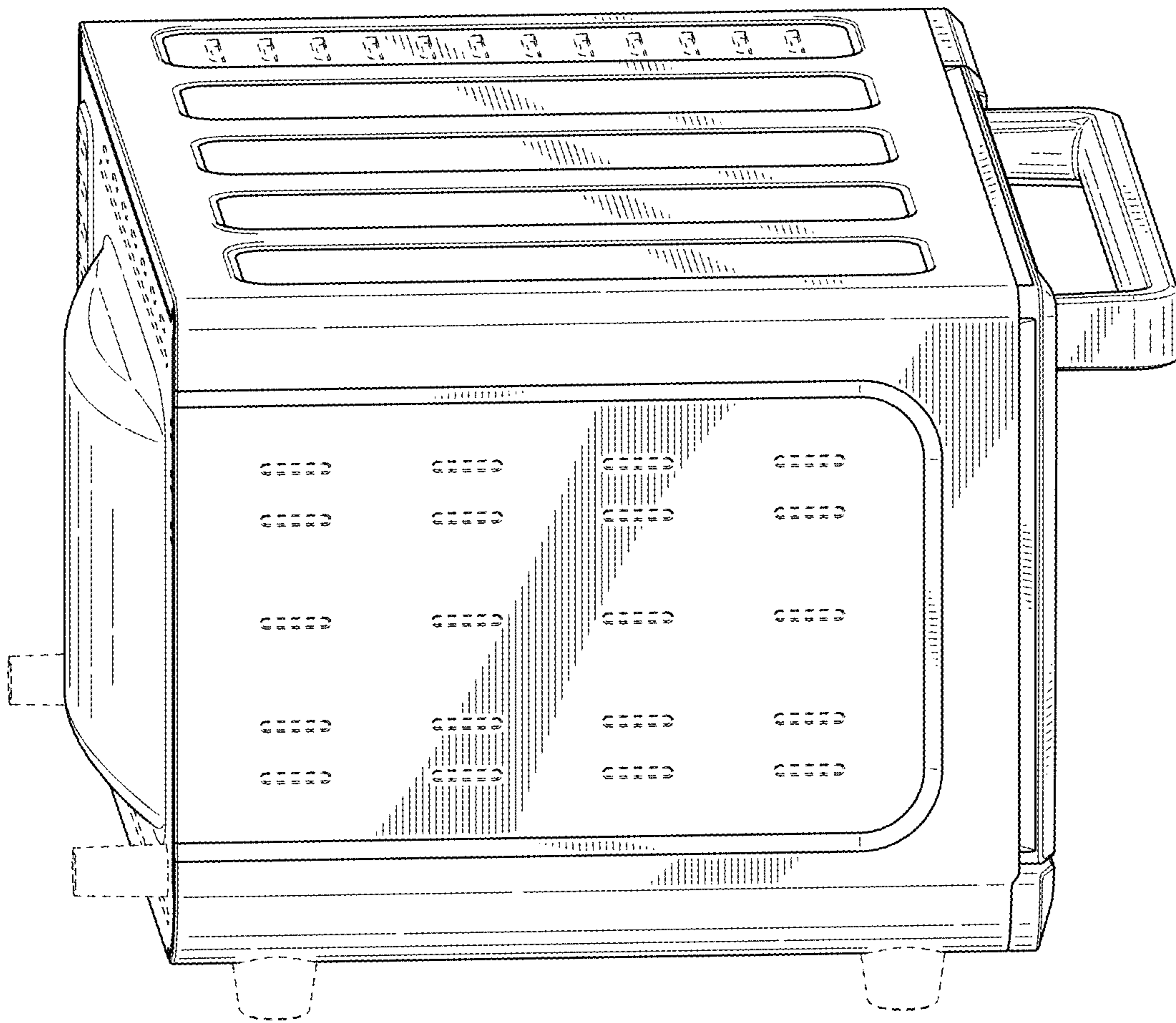


FIG. A

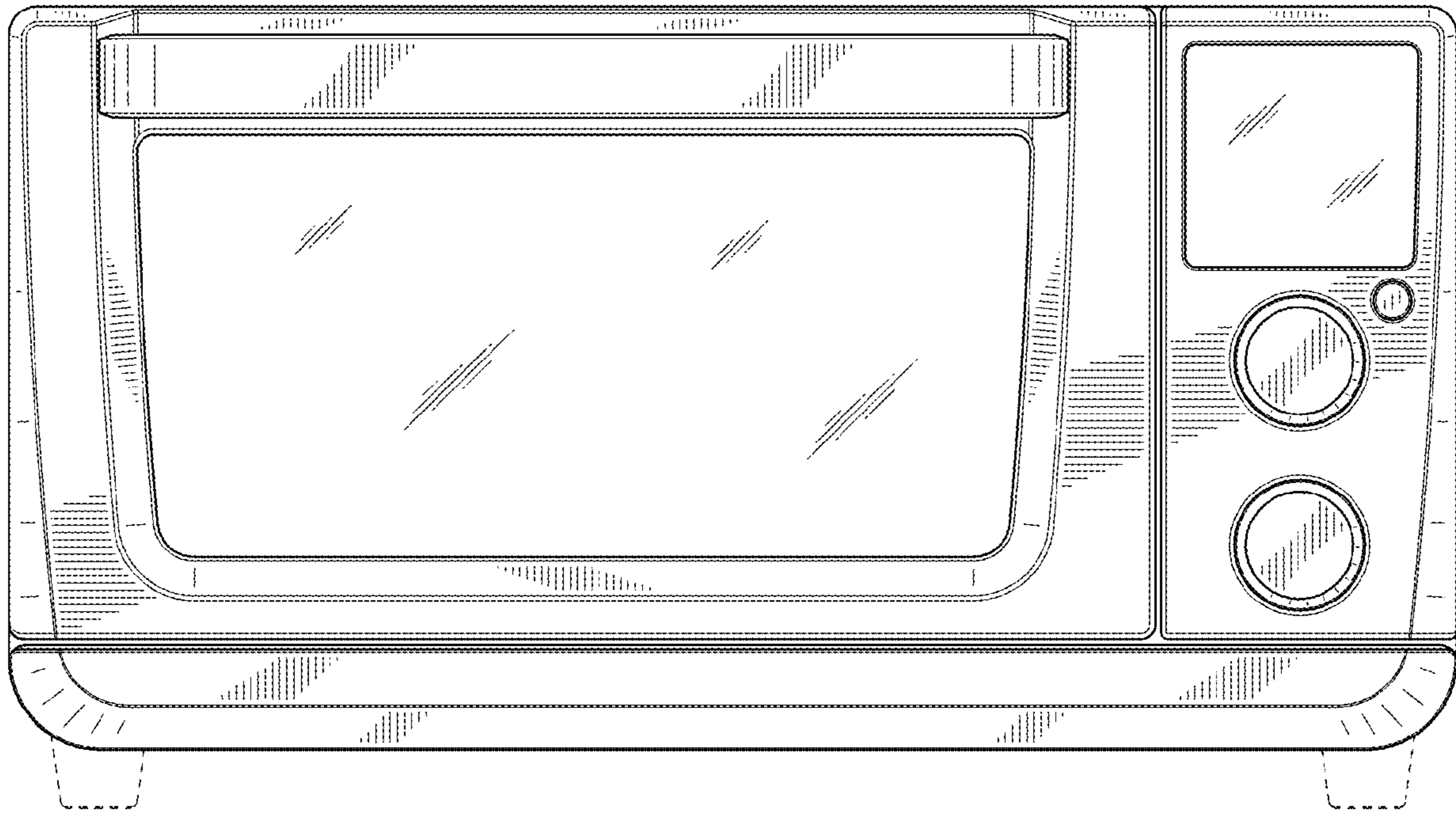


FIG. 5

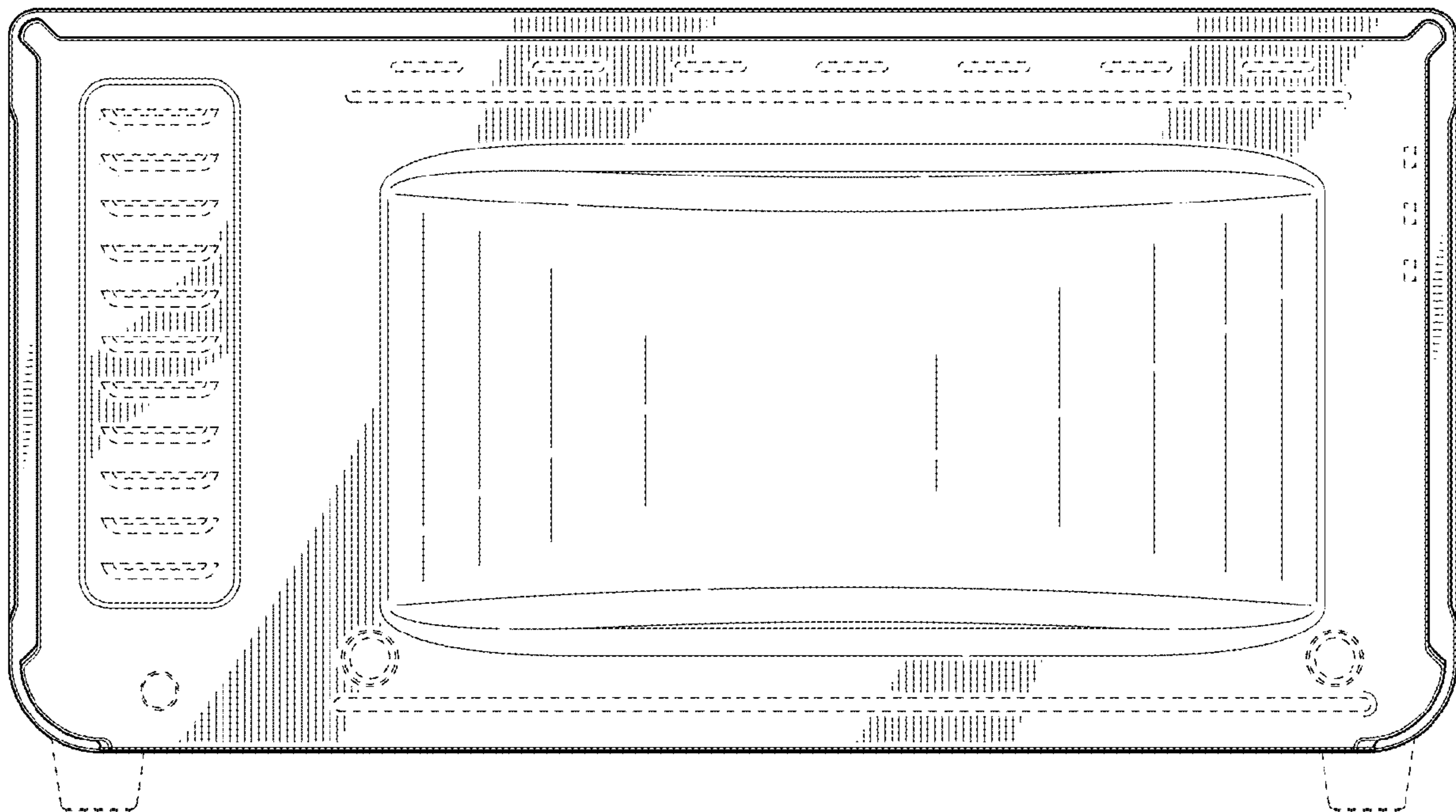


FIG. 6

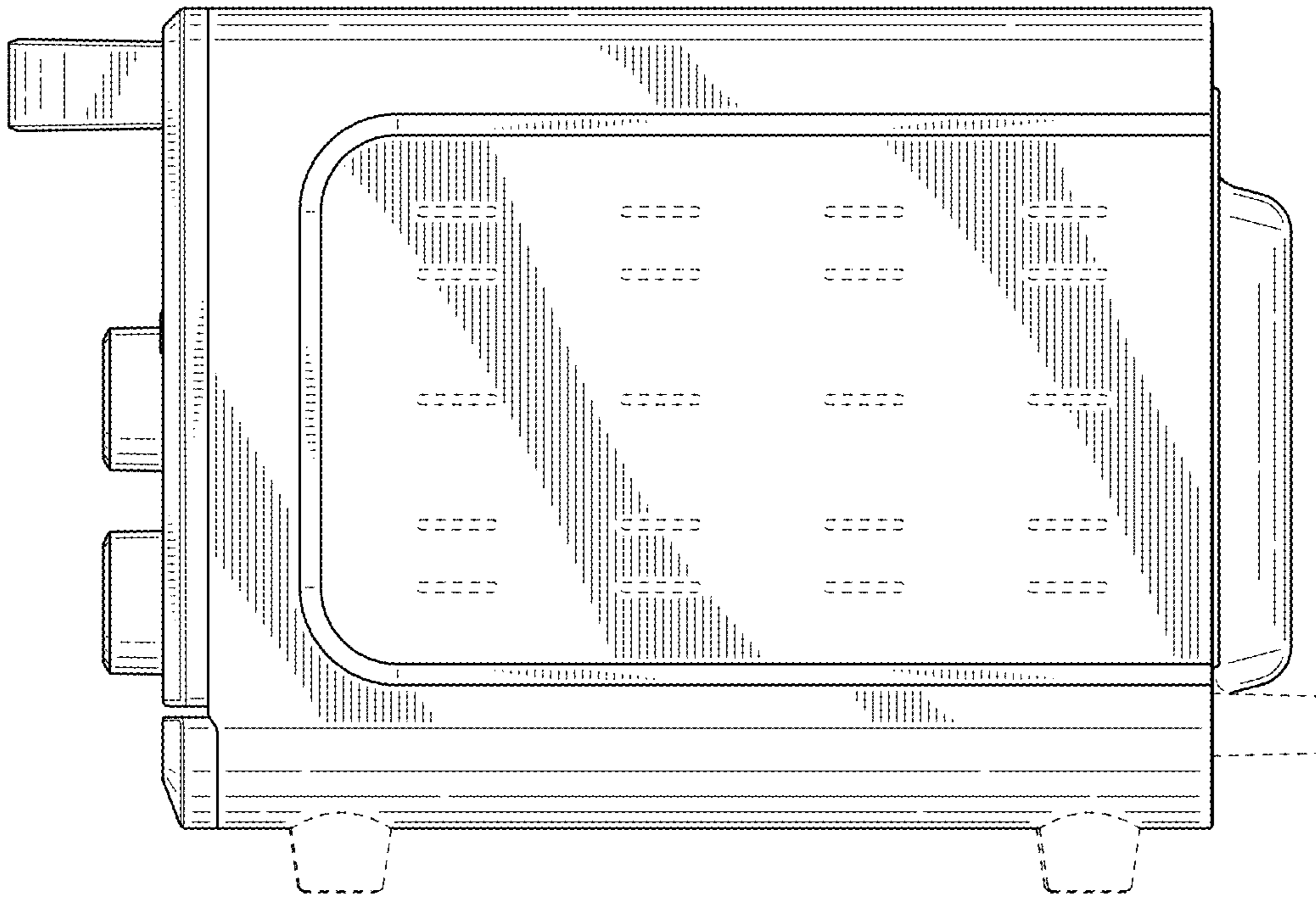


FIG. 7

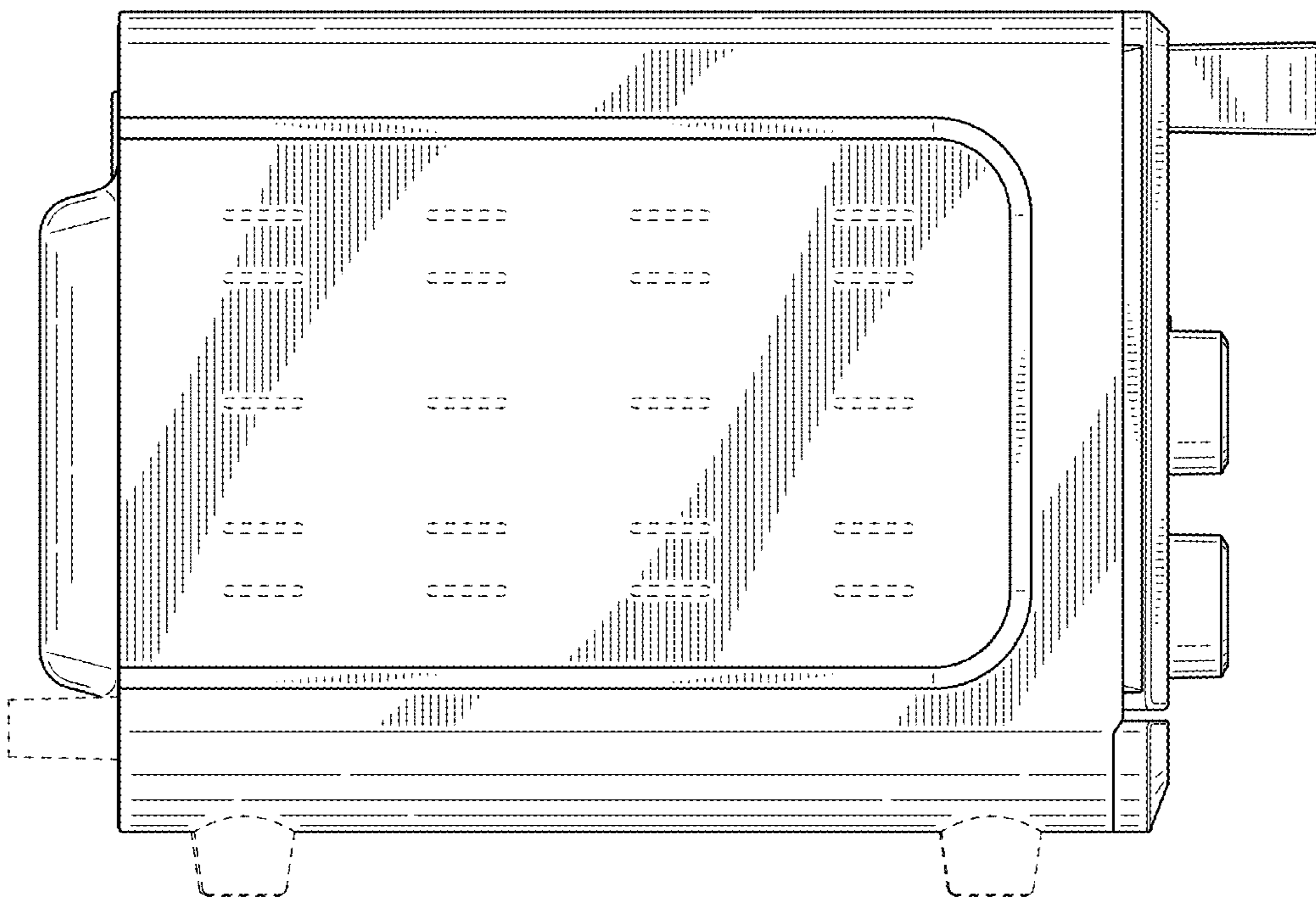


FIG. 8

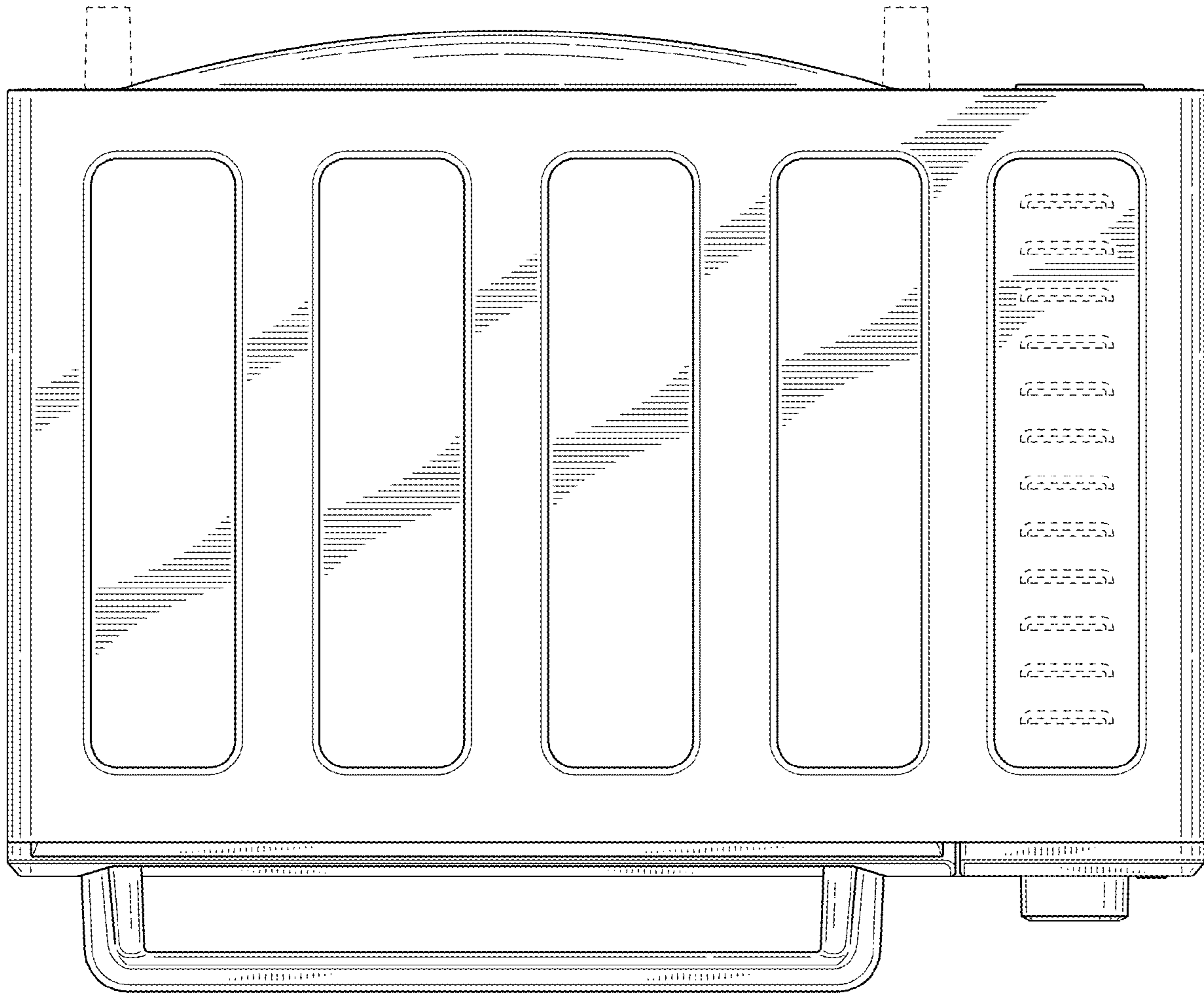


FIG. 9

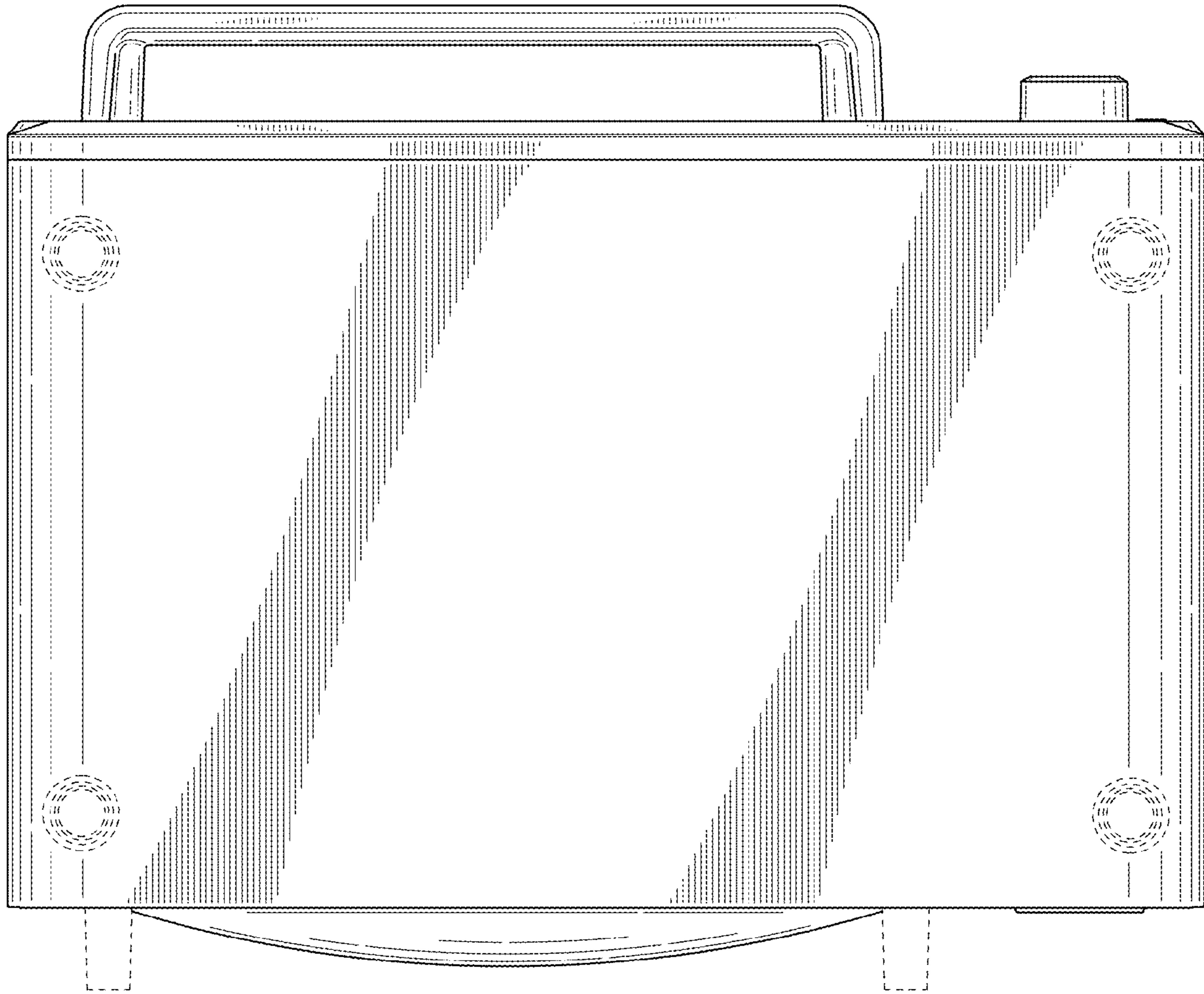


FIG. 10