



US00D948274S

(12) **United States Design Patent** (10) **Patent No.:** **US D948,274 S**
Finnance (45) **Date of Patent:** **** Apr. 12, 2022**

(54) **OVEN**
(71) Applicant: **Capbran Holdings, LLC**, Los Angeles, CA (US)
(72) Inventor: **Robert Finnance**, Los Angeles, CA (US)
(73) Assignee: **Capbran Holdings, LLC**, Los Angeles, CA (US)

D814,231 S * 4/2018 Kim D7/349
D840,185 S * 2/2019 Kim D7/348
D862,161 S * 10/2019 Seo D7/402
(Continued)

(**) Term: **15 Years**
(21) Appl. No.: **29/758,358**
(22) Filed: **Nov. 13, 2020**
(51) **LOC (13) Cl.** **07-02**
(52) **U.S. Cl.**
USPC **D7/350.1**
(58) **Field of Classification Search**
USPC D7/309, 323, 334, 337, 339, 340, 341,
D7/346, 348, 350.1, 350.3, 350.4, 351,
D7/352, 354-368, 373, 402, 403, 406,
D7/407, 601; D21/524, 525
CPC .. H05B 1/0263; H05B 2206/042; H05B 6/12;
H05B 6/64; H05B 6/6402; H05B 6/6426;
H05B 6/647; A21B 1/08; A21B 1/24;
A21B 1/33; A21B 1/52; A21B 2/00;
A21B 3/04; A47J 37/00; A47J 37/0763;
A47J 37/08
See application file for complete search history.

FOREIGN PATENT DOCUMENTS

CN 305263774 * 2/2019
CN 305865371 * 11/2019
CN 305601432 * 2/2020

OTHER PUBLICATIONS

Aobosi Toaster Oven, posted at Amazon.com on Jun. 9, 2020, [site visited Feb. 10, 2022]. Available from internet, URL: <<https://www.amazon.com/dp/B089W4NSQ3/>>.*

(Continued)

Primary Examiner — Andrew Kerr
Assistant Examiner — Chariton Alexakis
(74) *Attorney, Agent, or Firm* — Trojan Law Offices

(57) **CLAIM**

The ornamental design for an oven, as shown and described.

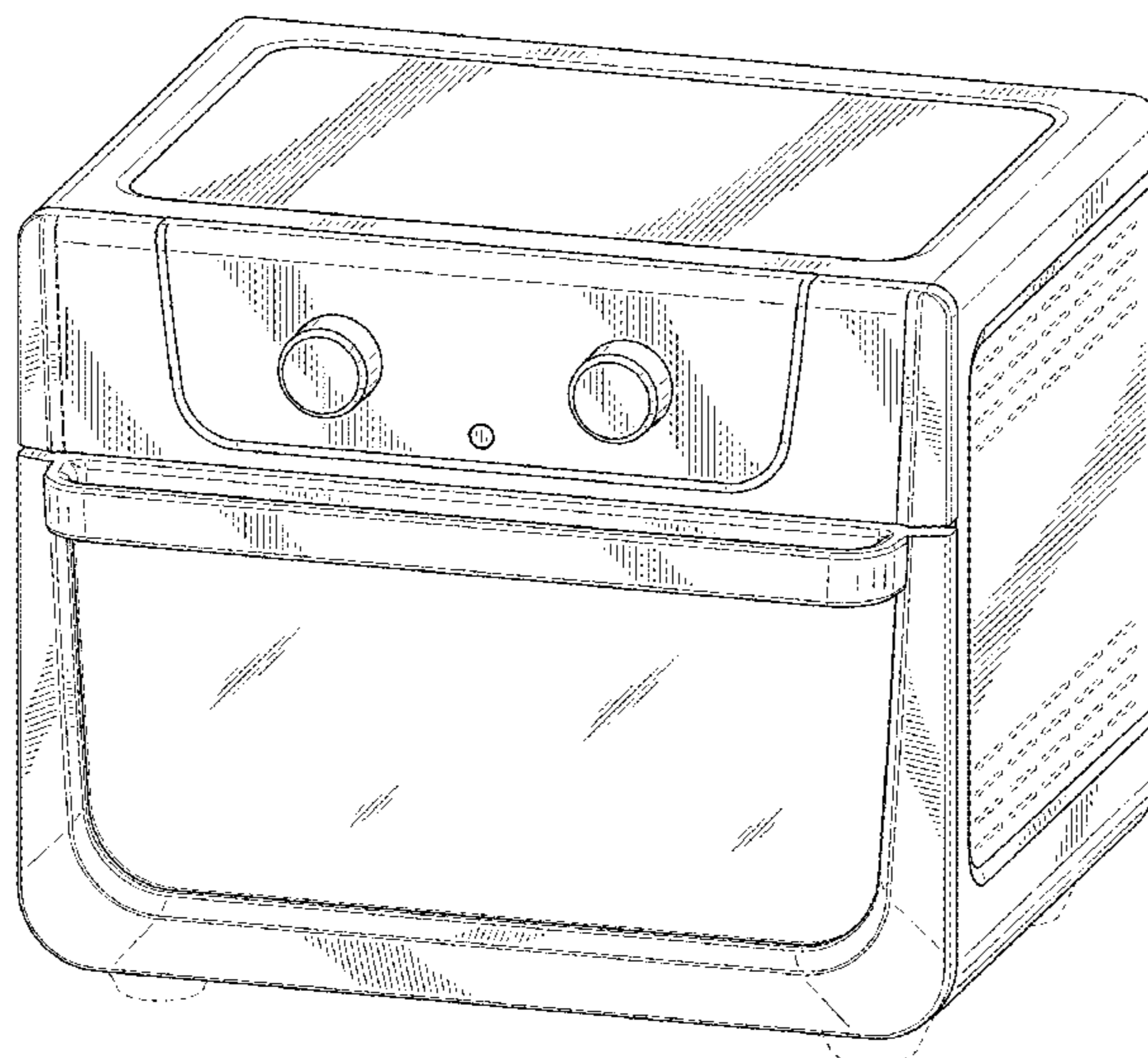
DESCRIPTION

FIG. 1 is a front perspective view of an oven showing my new design;
FIG. 2 is a back perspective view of the oven of FIG. 1;
FIG. 3 is a left side perspective view of the oven of FIG. 1;
FIG. 4 is a right side perspective view of the oven of FIG. 1;
FIG. 5 is a front view of the oven of FIG. 1;
FIG. 6 is a back view of the oven of FIG. 1;
FIG. 7 is a left view of the oven of FIG. 1;
FIG. 8 is a right view of the oven of FIG. 1;
FIG. 9 is a top view of the oven of FIG. 1; and,
FIG. 10 is a bottom view of the oven of FIG. 1.
The broken lines in the drawings depict portions of the oven that form no part of the claimed design.

1 Claim, 8 Drawing Sheets

(56) **References Cited**
U.S. PATENT DOCUMENTS

D304,281 S * 10/1989 Naito D7/351
D525,477 S * 7/2006 Kim D7/351
D580,698 S * 11/2008 Kim D7/348
D664,388 S * 7/2012 Park D7/348
D750,414 S * 3/2016 Funnell, II D7/348
D770,839 S * 11/2016 Shoemaker D7/348
D779,262 S * 2/2017 Kim D7/348
D789,740 S * 6/2017 Shoemaker D7/406



(56)

References Cited

U.S. PATENT DOCUMENTS

D907,951 S * 1/2021 Bell D7/349
D910,363 S * 2/2021 Wong D7/350.4
D911,093 S * 2/2021 Man D7/350.4
D919,350 S * 5/2021 Kim D7/349
2019/0162220 A1 * 5/2019 Penuel A47J 37/0623

OTHER PUBLICATIONS

GE Convection Toaster Oven, posted at Bestbuy.com (date not available) , [site visited Feb. 10, 2022]. Available from internet, URL: <<https://www.bestbuy.com/site/ge-convection-toaster-oven-with-air-fry-stainless-steel/6424662.p?skuId=6424662>> (Year: NA).*

Cuisinart Digital AirFry Toaster Oven, posted at Costco.com (date not available), [site visited Feb. 10, 2022]. Available from internet, URL: <<https://www.costco.com/cuisinart-digital-airfry-toaster-oven.product.100786522.html>> (Year: NA).*

* cited by examiner

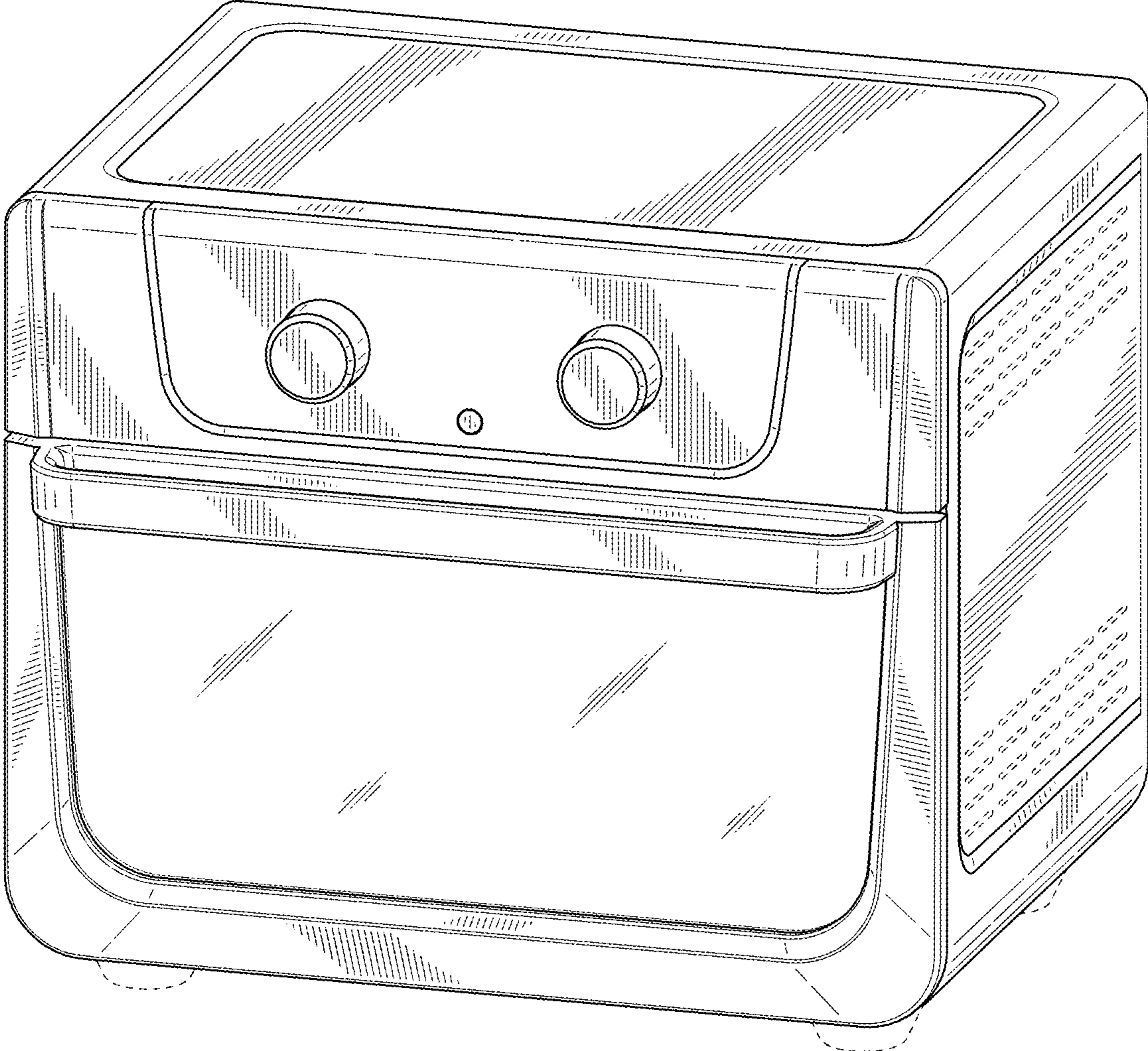


FIG. 1

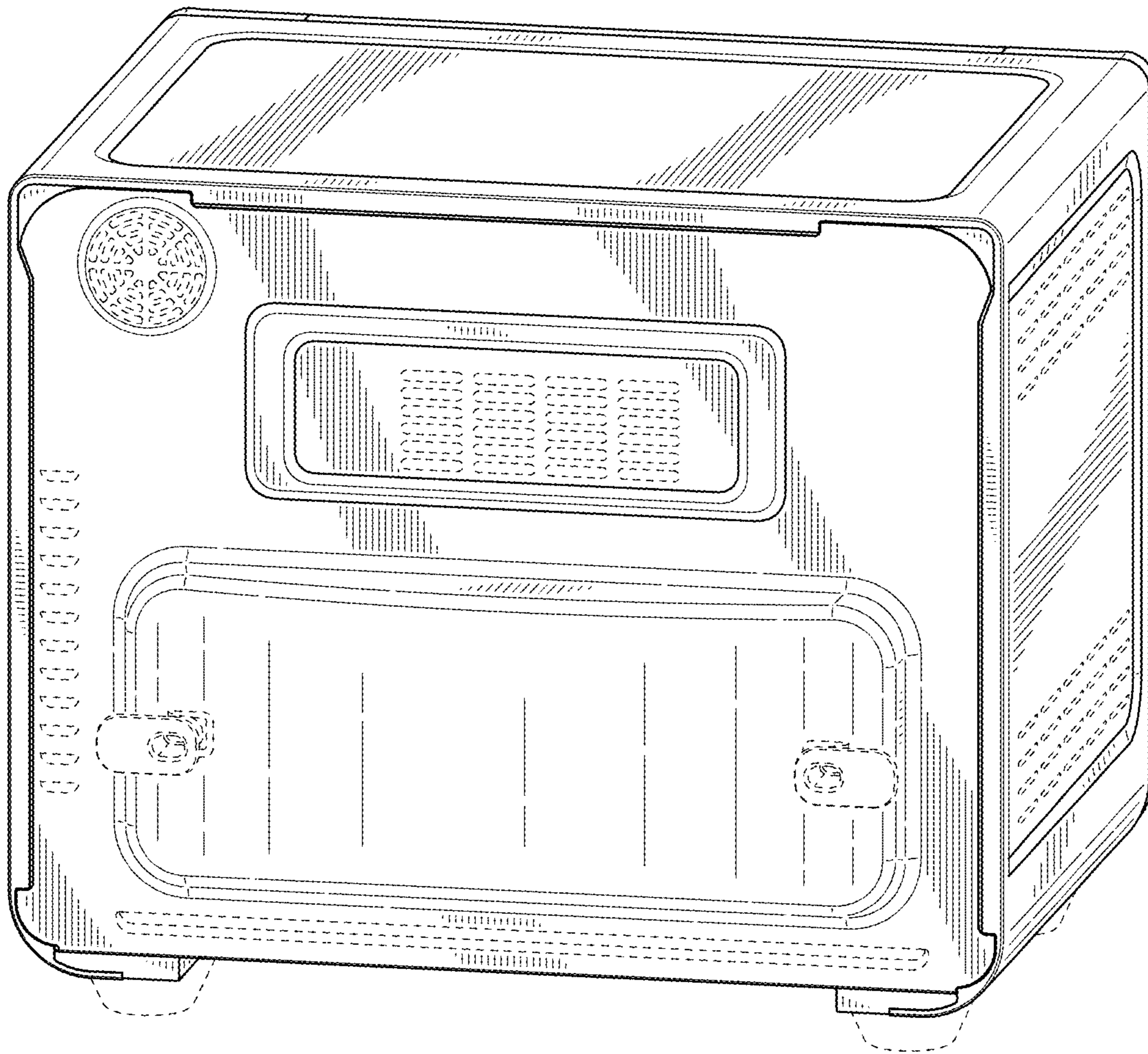


FIG. 2

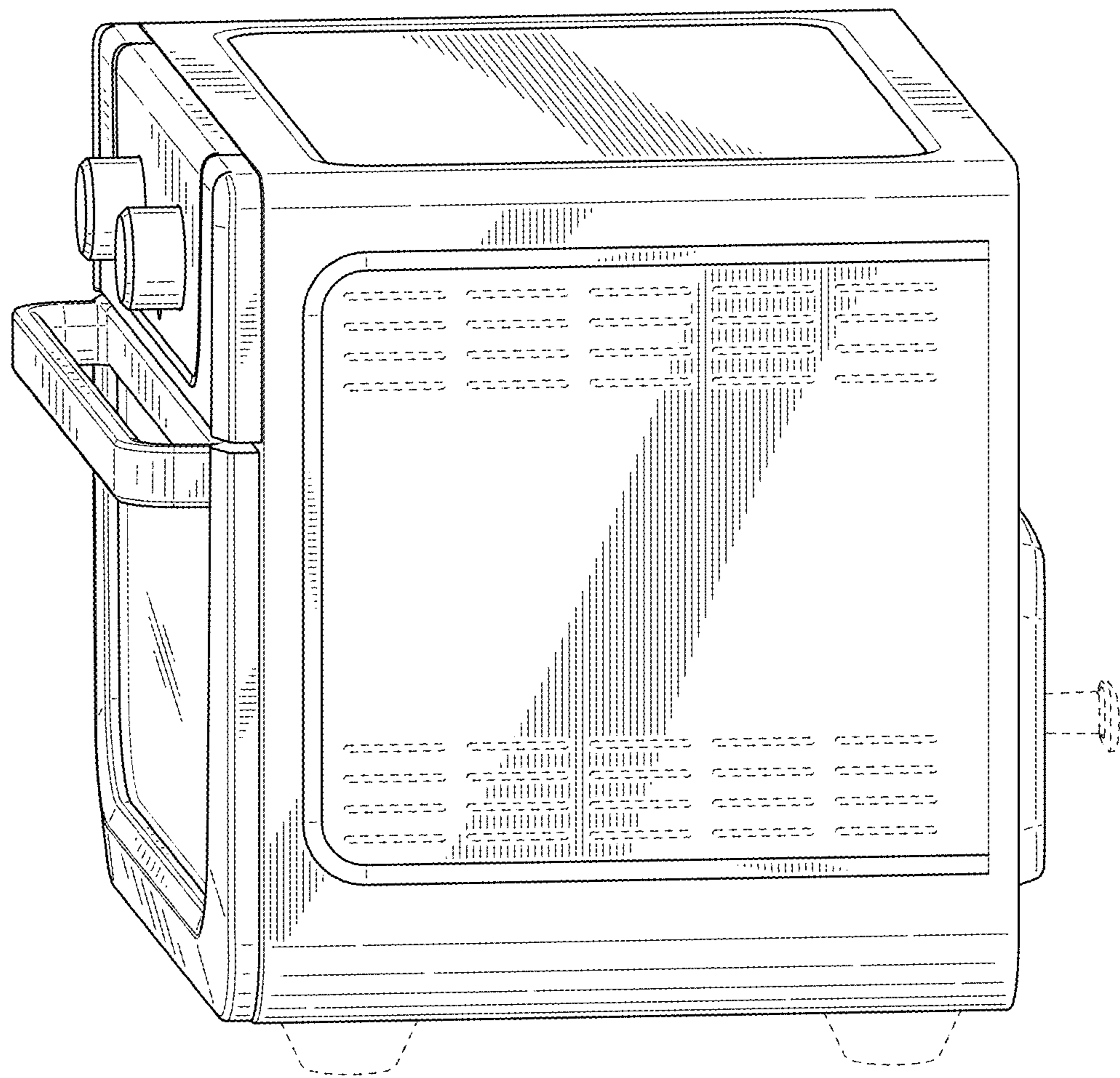


FIG. 3

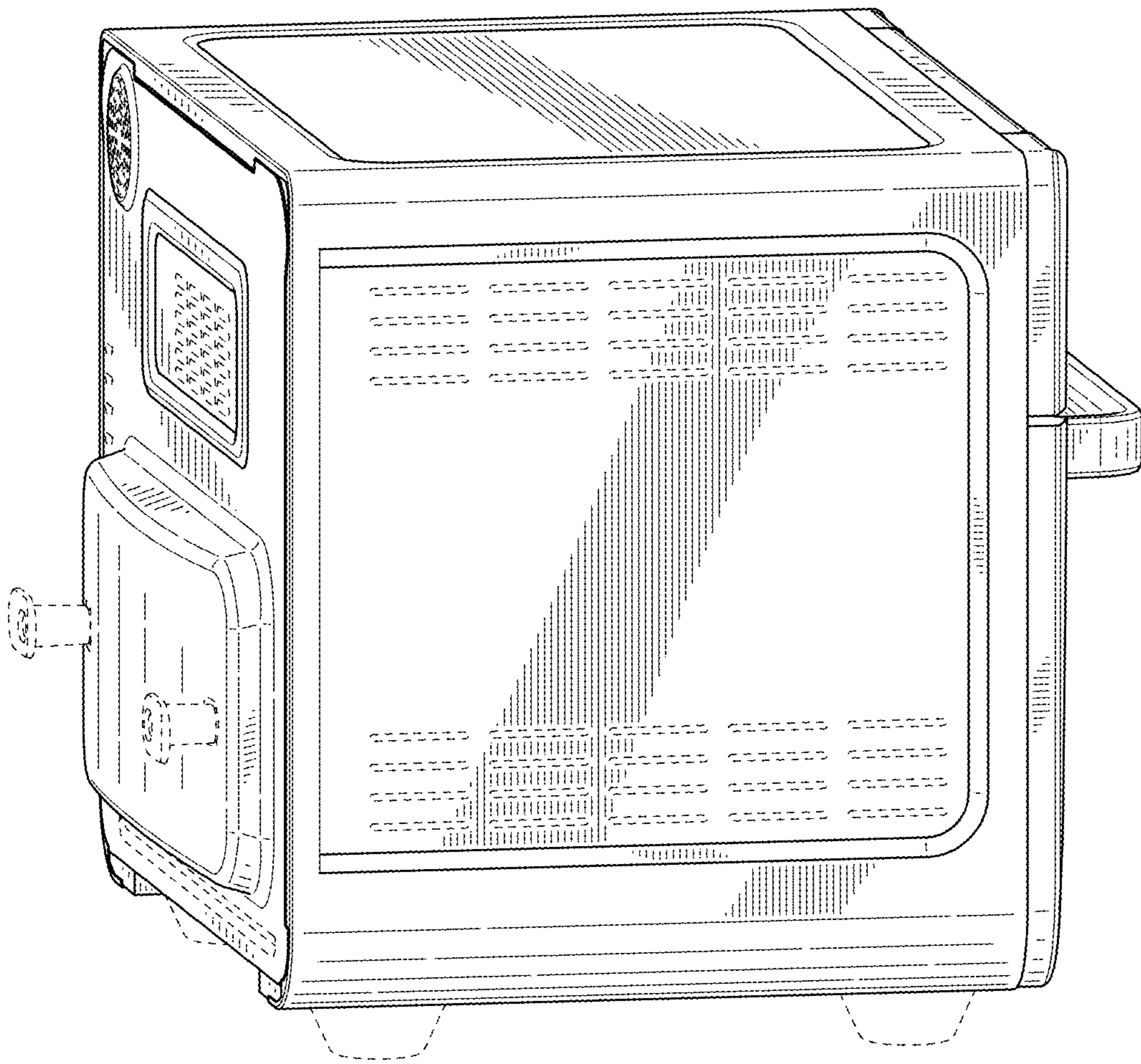


FIG. 4

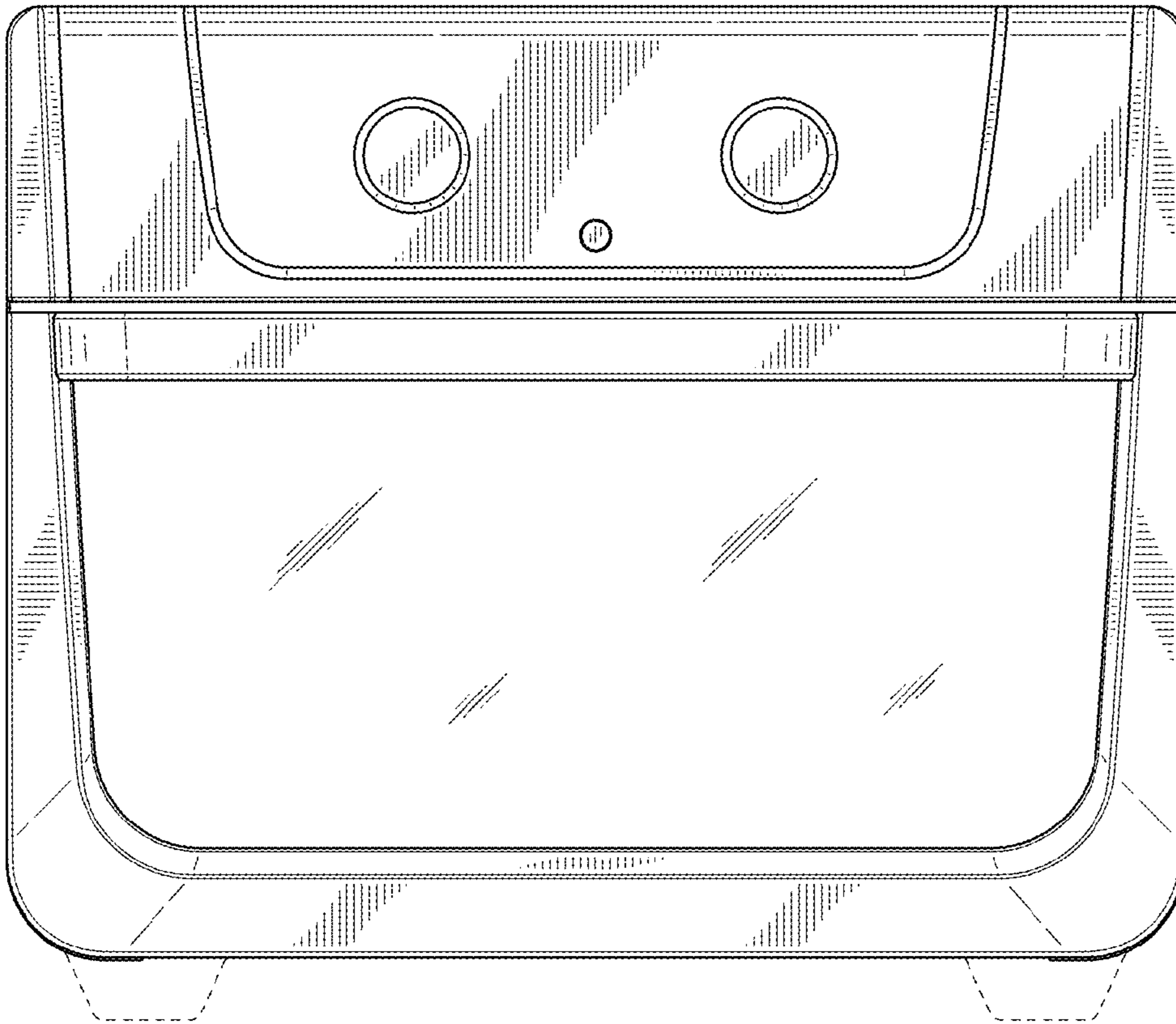


FIG. 5

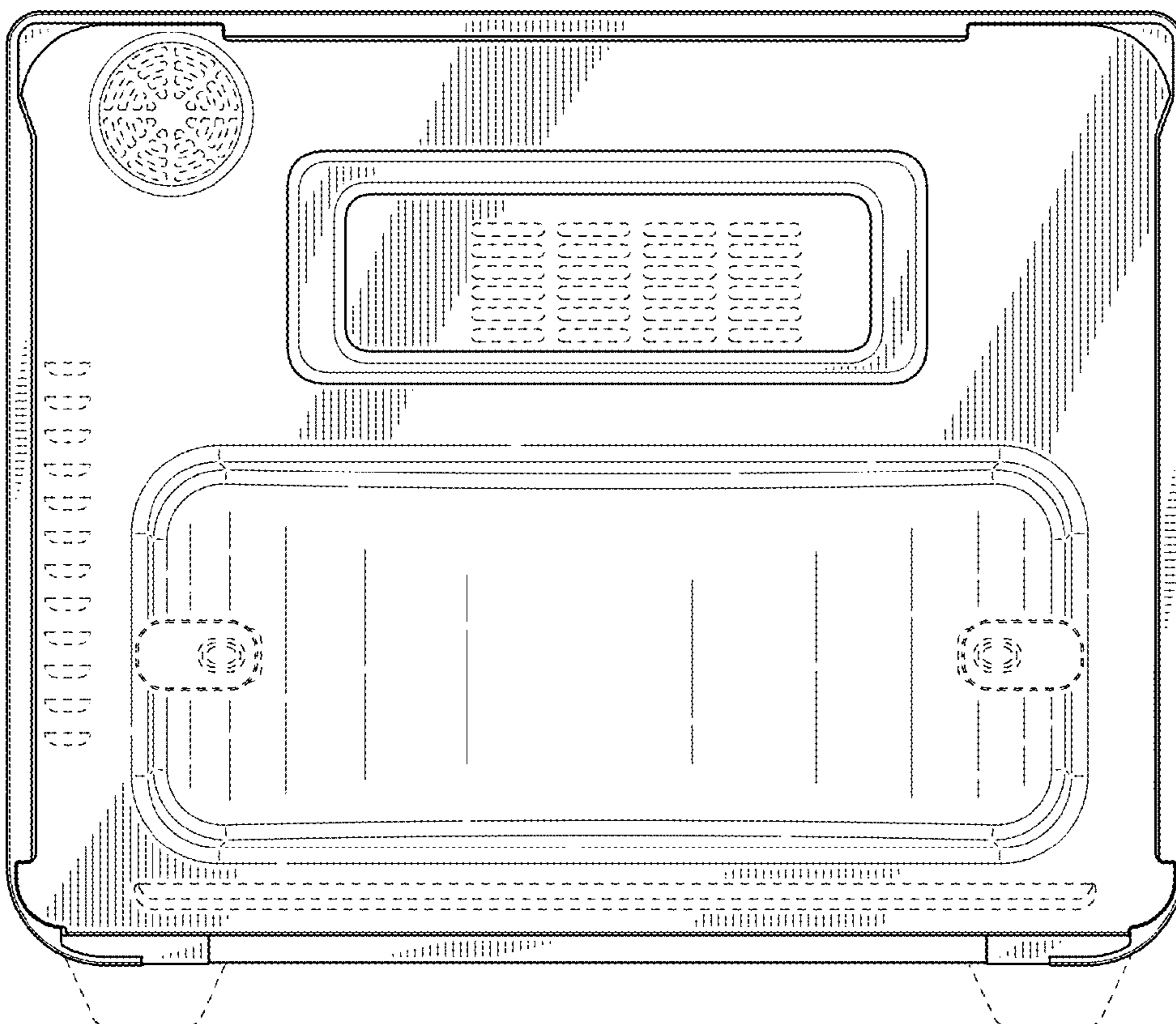


FIG. 6

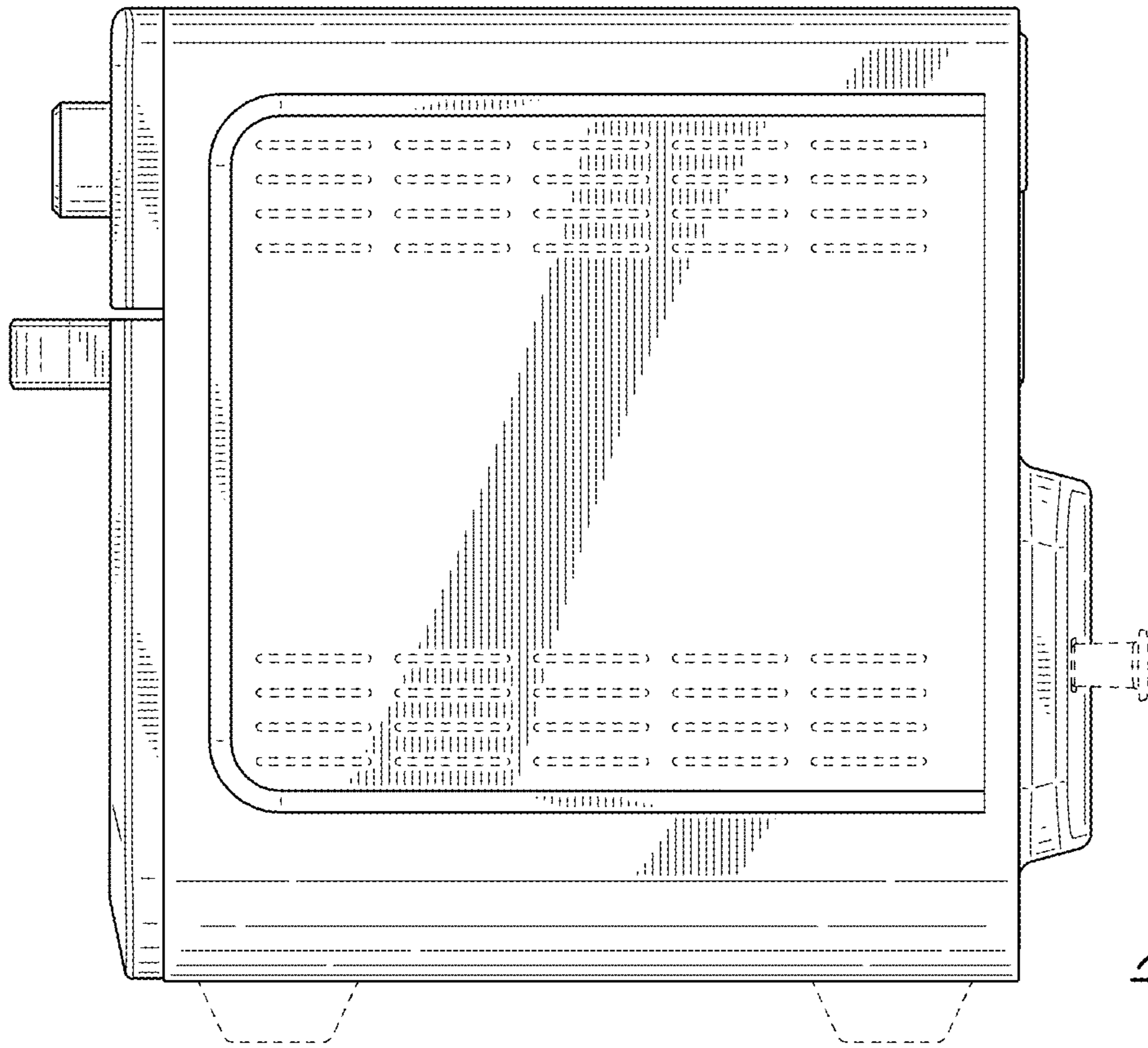


FIG. 7

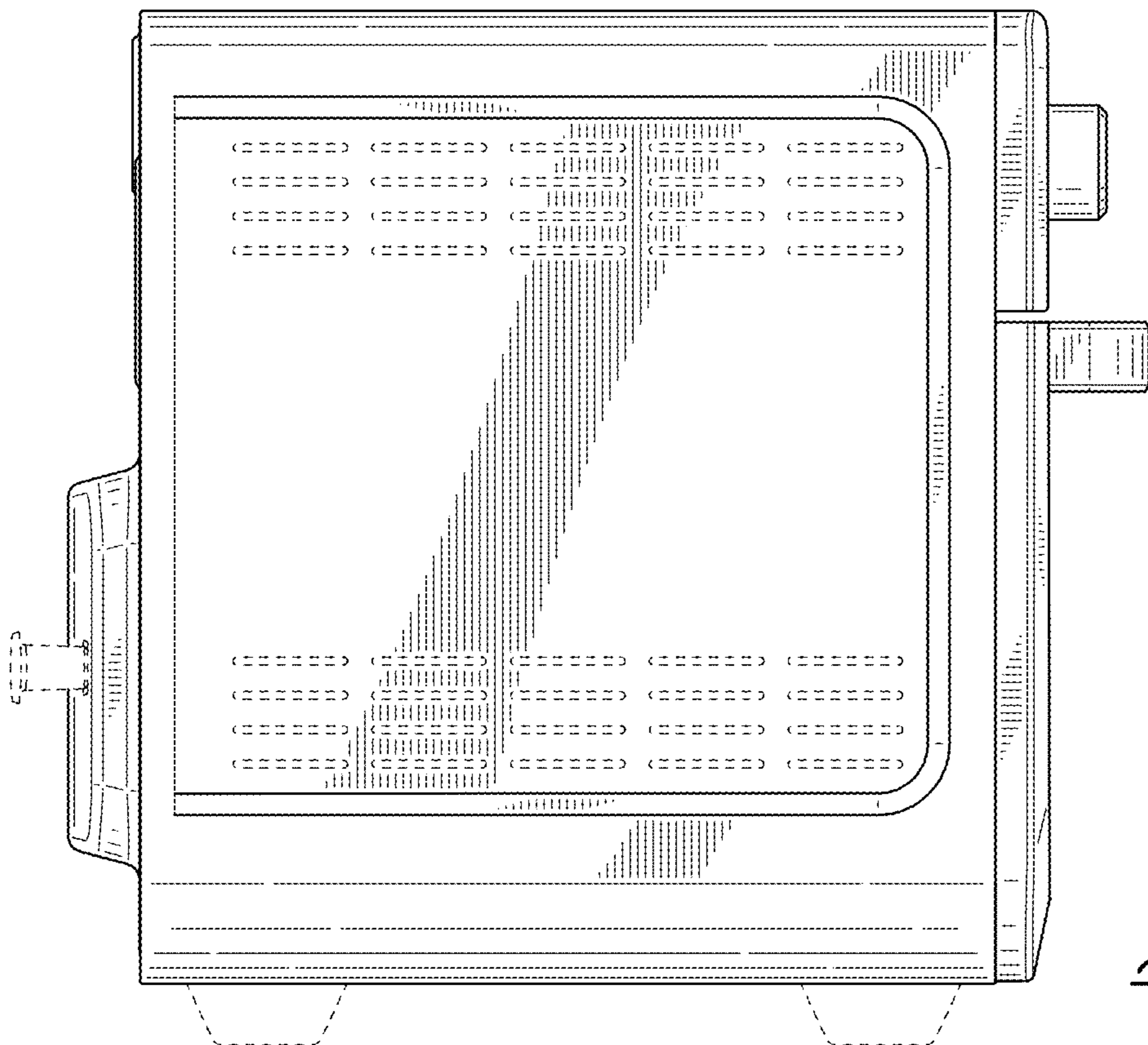


FIG. 8

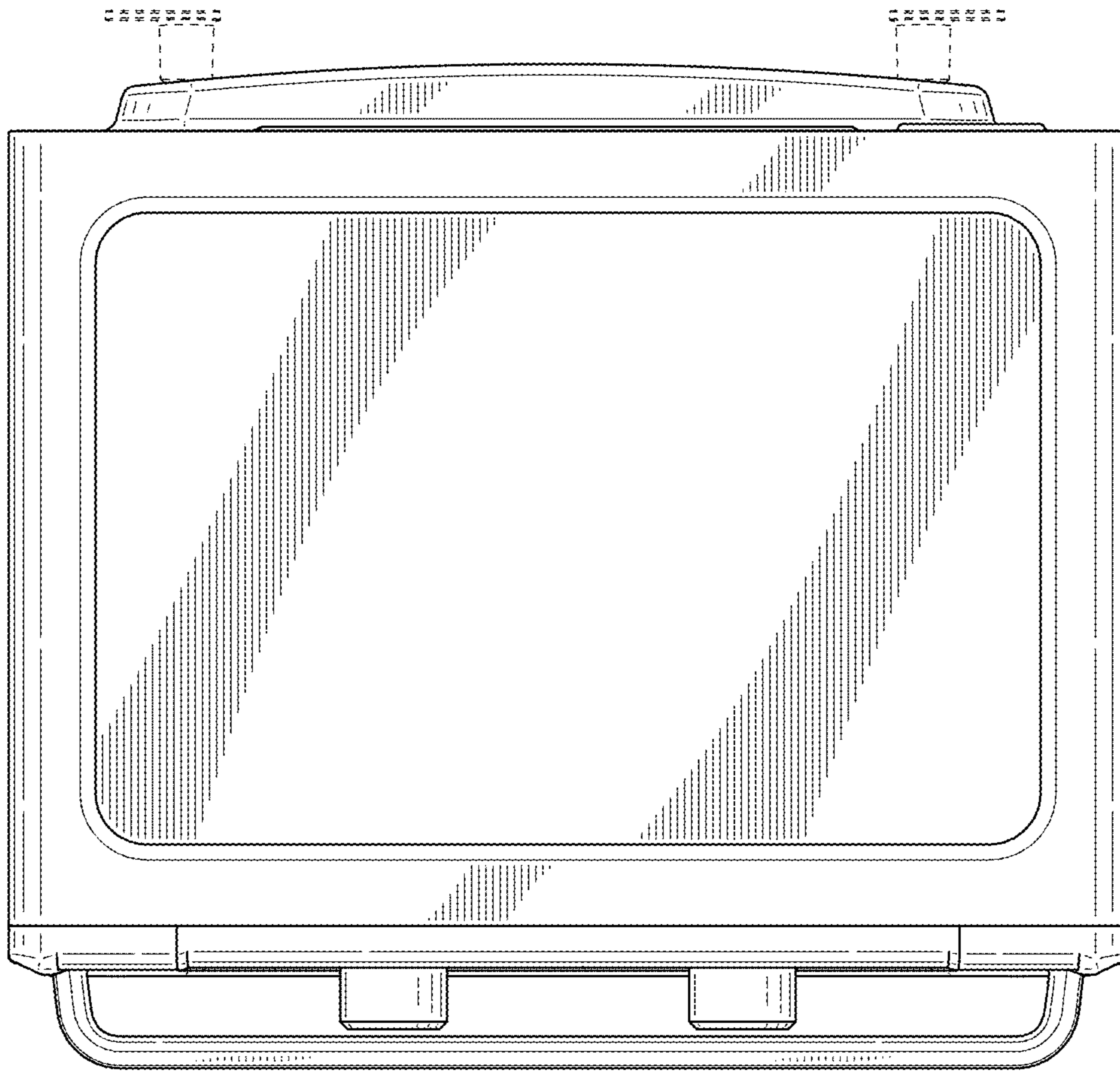


FIG. 9

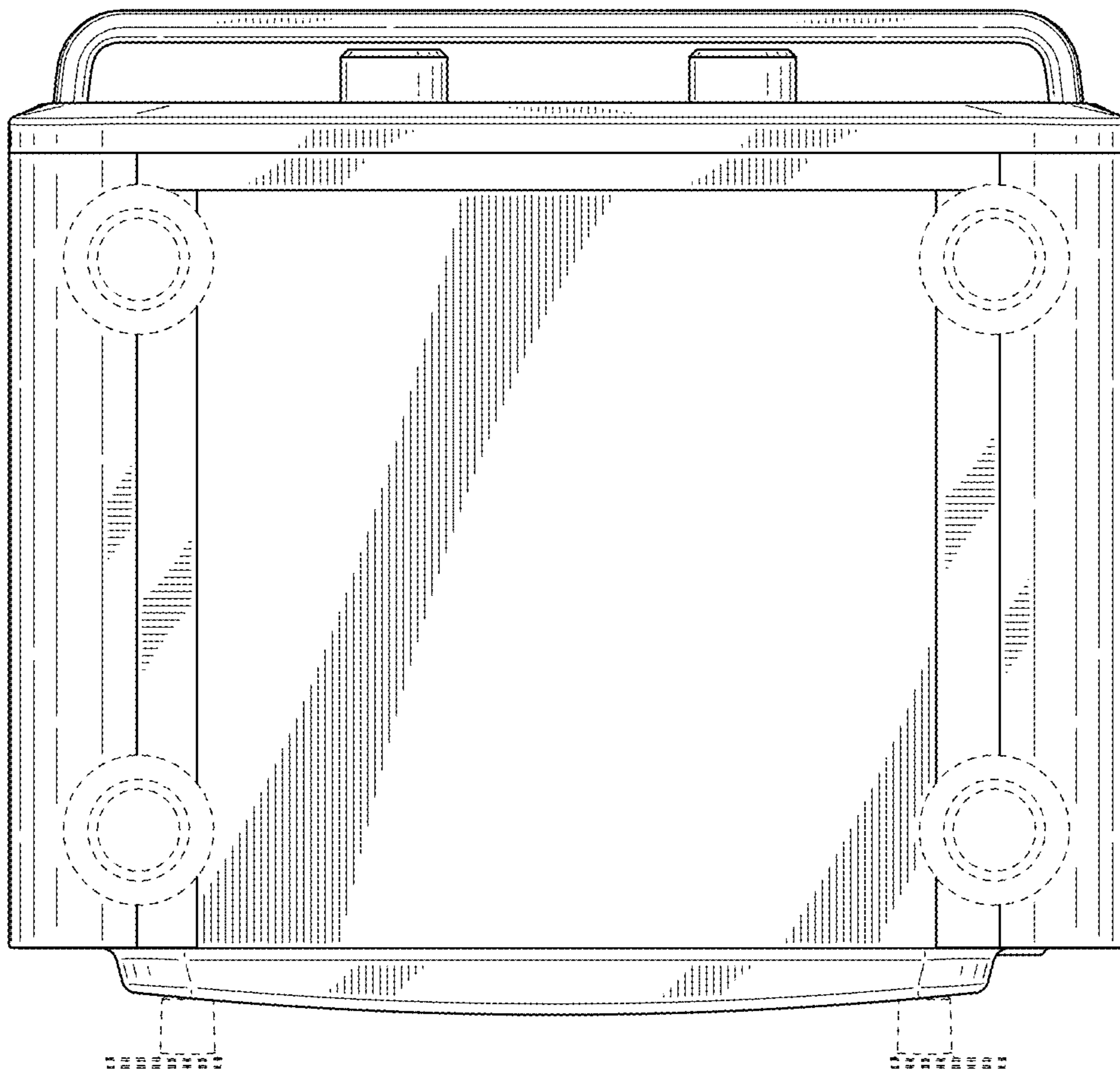


FIG. 10