



US00D948272S

(12) **United States Design Patent**  
**Czach et al.**

(10) **Patent No.:** **US D948,272 S**  
(45) **Date of Patent:** **\*\* Apr. 12, 2022**

(54) **OUTDOOR GRILL**

(71) Applicant: **Traeger Pellet Grills, LLC**, Salt Lake City, UT (US)

(72) Inventors: **Matthew G. Czach**, Kalamazoo, MI (US); **Kevin Alexander**, Salt Lake City, UT (US); **Patrick McEneaney**, Park City, UT (US); **Fredric James Biddle**, Kalamazoo, MI (US)

(73) Assignee: **Traeger Pellet Grills, LLC**, Salt Lake City, UT (US)

(\*\*) Term: **15 Years**

(21) Appl. No.: **29/729,948**

(22) Filed: **Mar. 31, 2020**

(51) **LOC (13) Cl.** ..... **07-02**

(52) **U.S. Cl.**  
USPC ..... **D7/334; D7/405**

(58) **Field of Classification Search**  
USPC ..... D7/323, 332-339, 347, 387, 402-406, D7/409; D21/523, 524  
CPC .... A47J 37/06; A47J 37/0605; A47J 37/0623; A47J 37/0647; A47J 37/07; A47J 37/0704; A47J 37/0709; A47J 37/0713; A47J 37/0718; A47J 37/0727; A47J 37/0731; A47J 37/074; A47J 37/0745; A47J 37/075; A47J 37/0754; A47J 37/0763

See application file for complete search history.

(56) **References Cited**

**U.S. PATENT DOCUMENTS**

D406,489 S \* 3/1999 Williams ..... F24C 1/16 D7/334  
D426,101 S \* 6/2000 Pai ..... A47J 37/0704 D7/334  
D456,501 S \* 4/2002 Chen ..... D23/343

D491,410 S \* 6/2004 Saunders ..... D7/334  
D536,918 S 2/2007 Wood  
D541,101 S 4/2007 Ritterling  
D544,289 S 6/2007 Tseng  
D546,116 S 7/2007 Tseng  
D560,419 S 1/2008 Lockhart et al.

(Continued)

**OTHER PUBLICATIONS**

Design No. 306538354, May 14, 2021—China National Intellectual Property Administration (CNIPA) Publication Date—May 14, 2021 Owner—Traeger Pellet Grills LLC, Designer—Ma Xiu g qiahe, et. al. WIPO, available at <https://www3.wipo.int/designdb/en/index.jsp> (Year: 2021).\*

(Continued)

*Primary Examiner* — Mary Ann Calabrese  
*Assistant Examiner* — Natalya M Rapundalo  
(74) *Attorney, Agent, or Firm* — TraskBritt

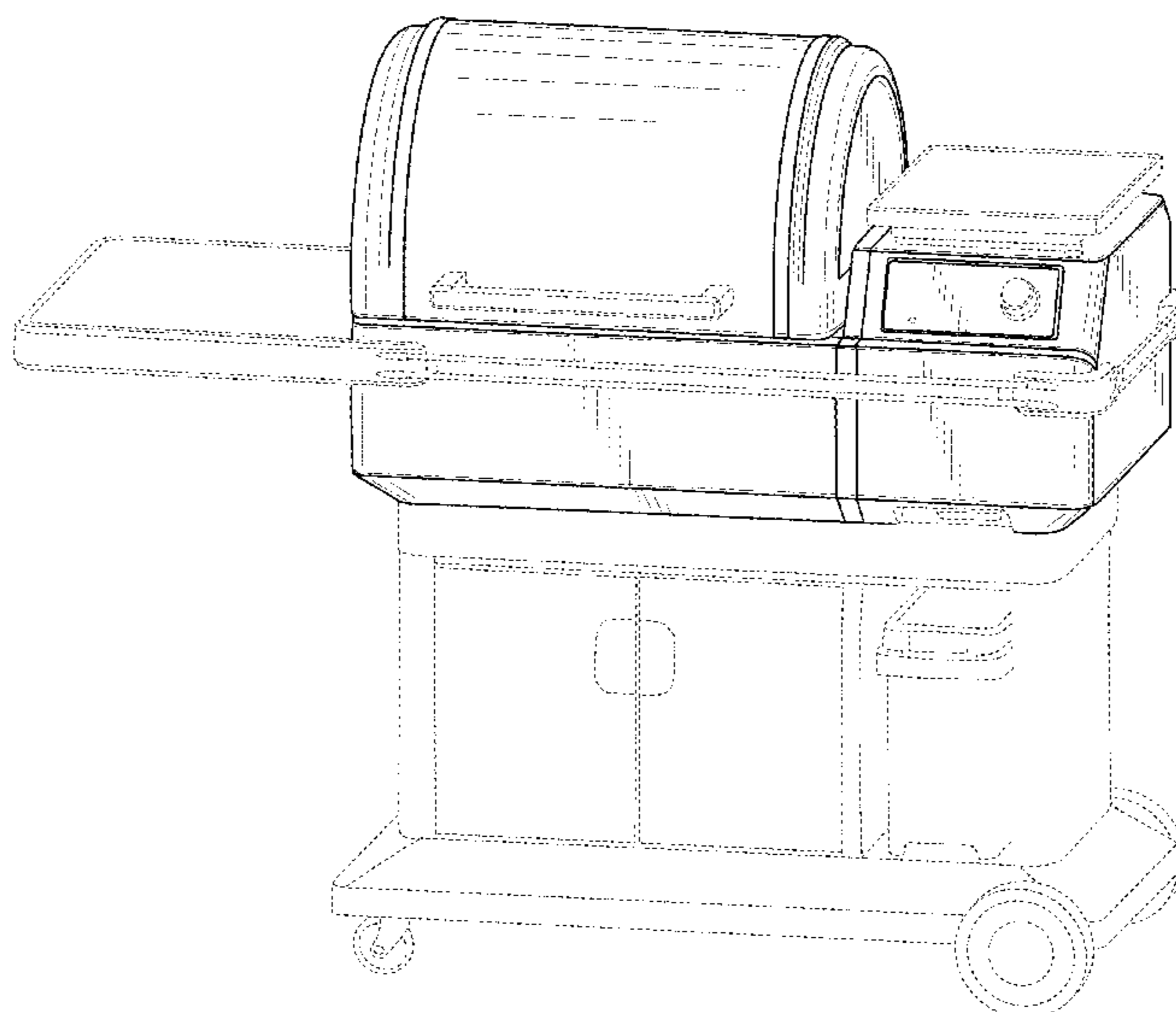
(57) **CLAIM**

The ornamental design for an outdoor grill, as shown and described.

**DESCRIPTION**

FIG. 1 is a front, right perspective view of our new design for an outdoor grill.  
FIG. 2 is a front view of the outdoor grill shown in FIG. 1.  
FIG. 3 is a back view of the outdoor grill shown in FIG. 1.  
FIG. 4 is a left side view of the outdoor grill shown in FIG. 1.  
FIG. 5 is a right side view of the outdoor grill shown in FIG. 1.  
FIG. 6 is a top view of the outdoor grill shown in FIG. 1; and,  
FIG. 7 is a bottom view of the outdoor grill shown in FIG. 1.  
The broken lines illustrate portions of the outdoor grill and form no part of the claimed design.

**1 Claim, 7 Drawing Sheets**



(56)

**References Cited**

U.S. PATENT DOCUMENTS

D563,150 S 3/2008 Chau et al.  
 D581,199 S 11/2008 Chau  
 D584,562 S 1/2009 Chau et al.  
 D609,045 S 2/2010 Bruno et al.  
 D624,782 S 10/2010 Chung  
 D636,217 S \* 4/2011 Slater ..... D7/334  
 D688,517 S 8/2013 Eilgus  
 D790,901 S 7/2017 Zhou  
 D798,646 S 10/2017 Lira-Nunez  
 D820,023 S \* 6/2018 Zhou ..... D7/334  
 D820,628 S 6/2018 Zhou  
 D839,047 S \* 1/2019 Colston ..... A47J 37/0704  
 D7/402  
 10,213,051 B2 \* 2/2019 Colston ..... F24C 1/16  
 D854,871 S 7/2019 Williams  
 D915,812 S \* 4/2021 Bennion ..... A23B 4/052  
 D7/334

2018/0368618 A1\* 12/2018 Measom ..... A23B 4/052  
 2019/0133374 A1\* 5/2019 McAdams ..... F23B 40/08  
 2021/0298333 A1\* 9/2021 Strong ..... F23N 5/265

OTHER PUBLICATIONS

Direct Wicker 2021 New Upgrade Wood Pellet Grill and Smoker, Home Depot, [online], [site visited Nov. 11, 2021], Available from internet URL: <https://www.homedepot.com/p/DIRECT-WICKER-2021-New-Upgrade-Wood-Pellet-Grill-and-Smoker-8-in-1-BBQ-Grill-Auto-Temperature-Control-in-Silver-ZPG-L6002E/316877558> (Year: 2021).  
 Design No. 306618160, Jun. 18, 2021—China National Intellectual Property Administration (CNIPA) Publication Date—Jun. 18, 2021 Owner—Traeger Pellet Grills LLC, Designer —Matthew g chach, et. al. WIPO, available at <https://www3.wipo.int/designdb/en/index.jsp> (Year: 2021).

\* cited by examiner

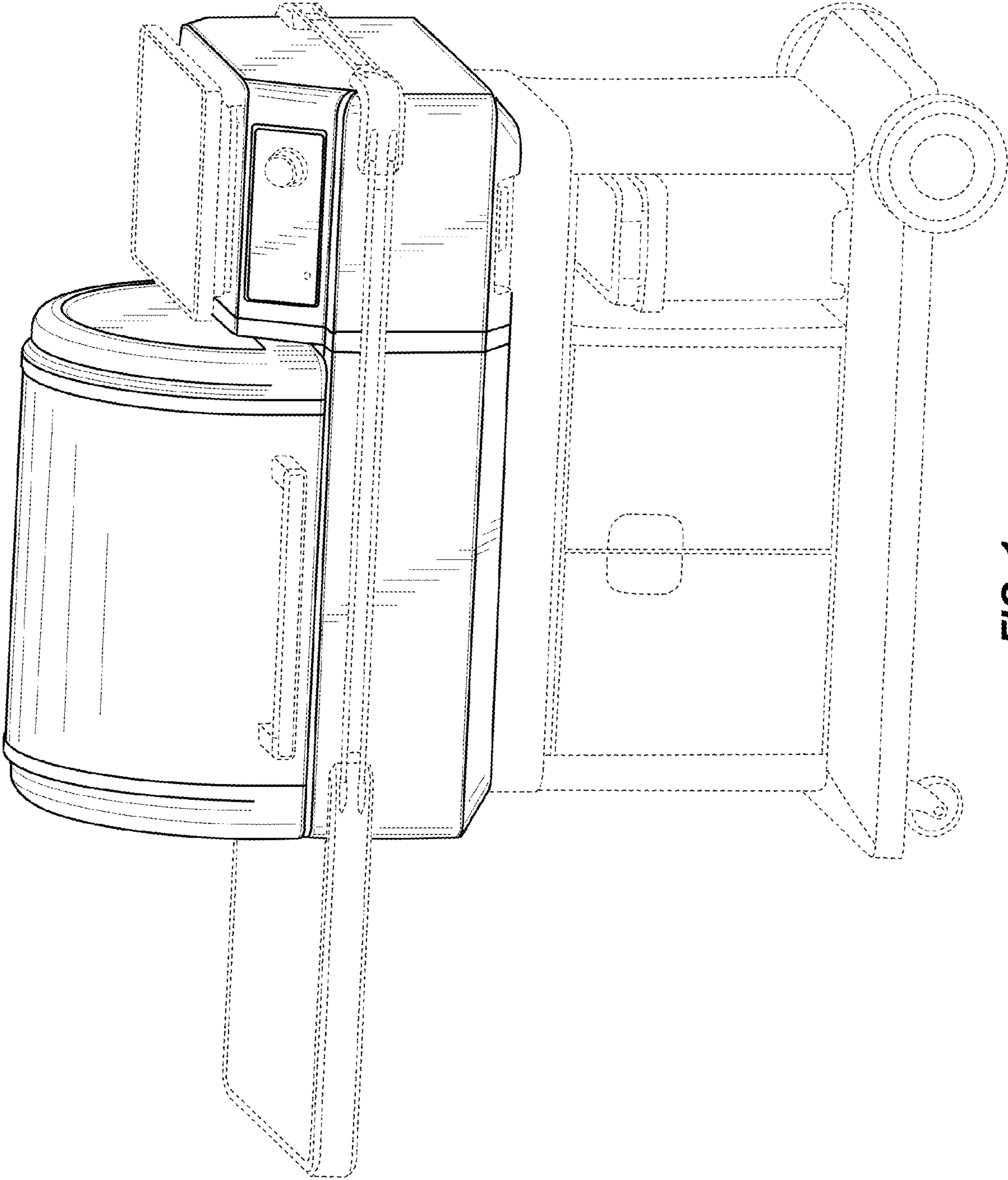
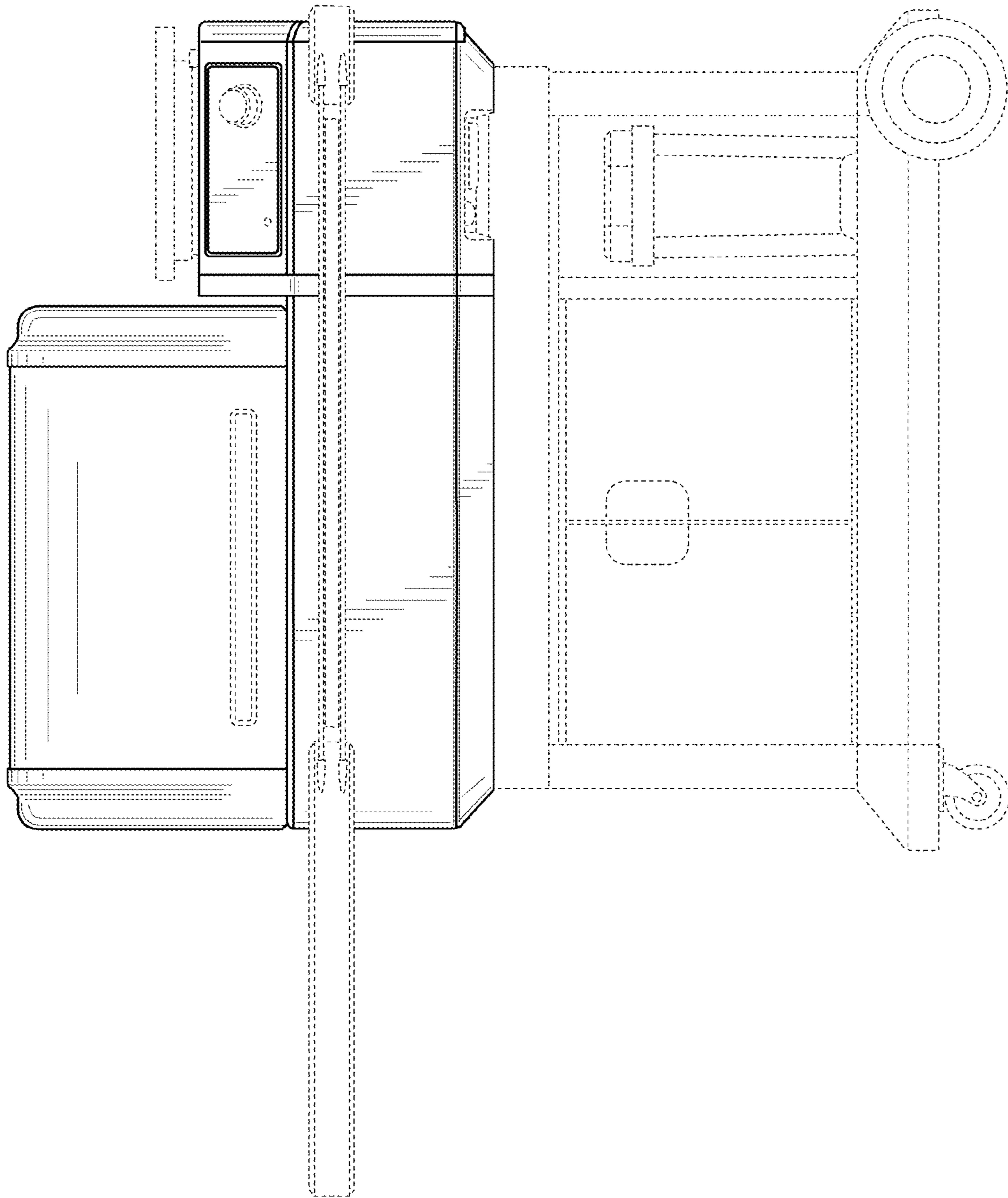


FIG. 1



**FIG. 2**

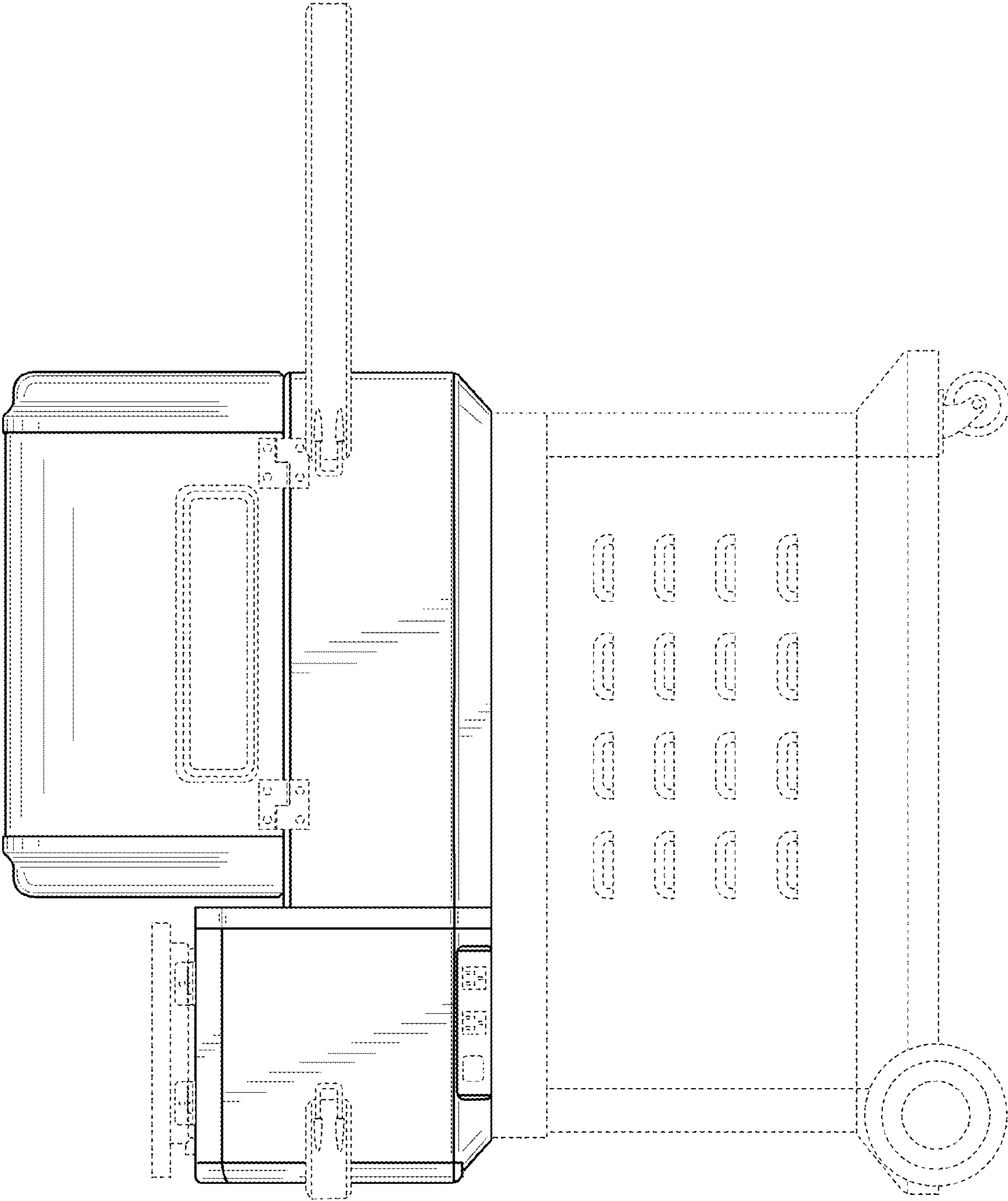
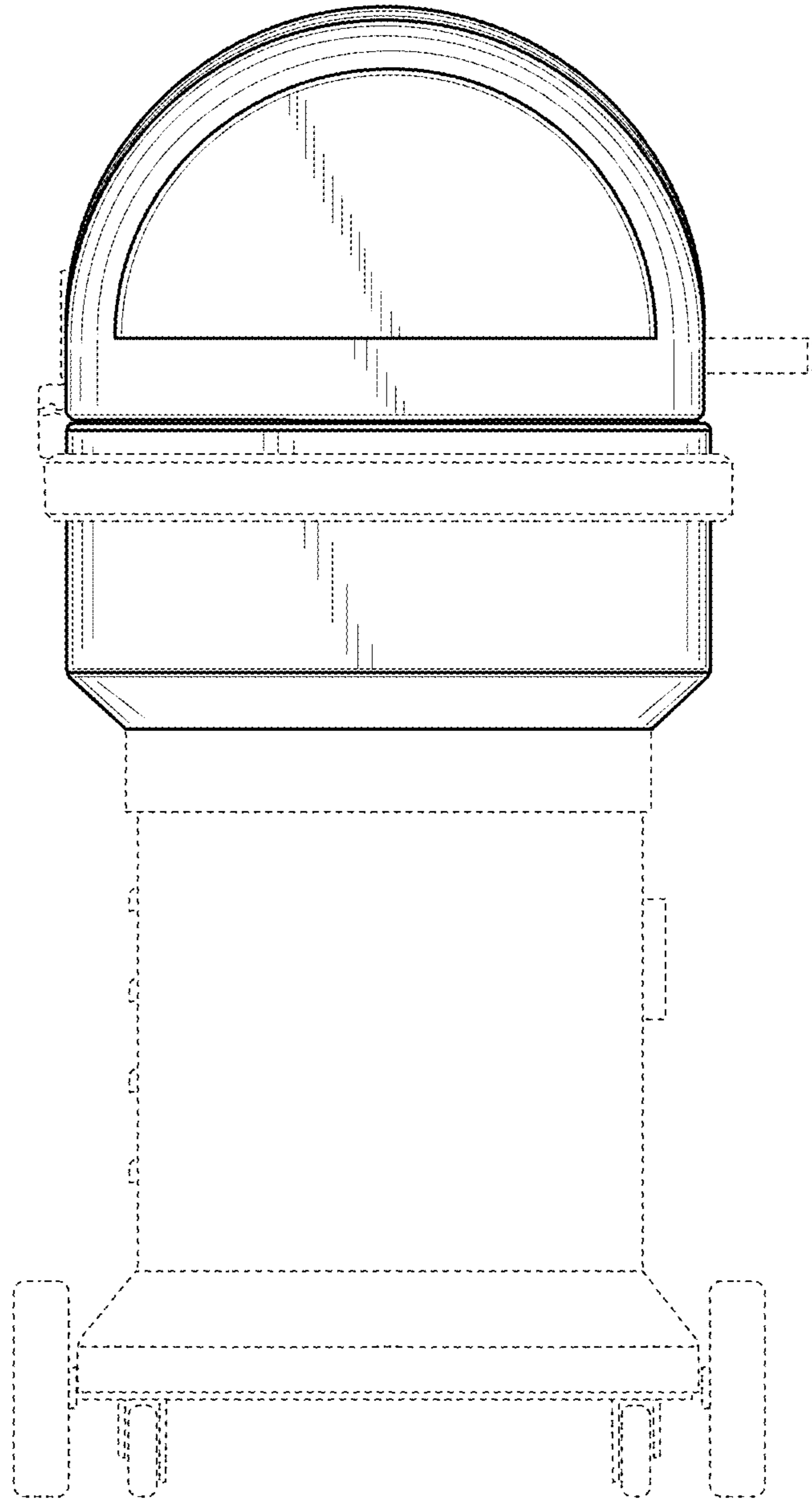
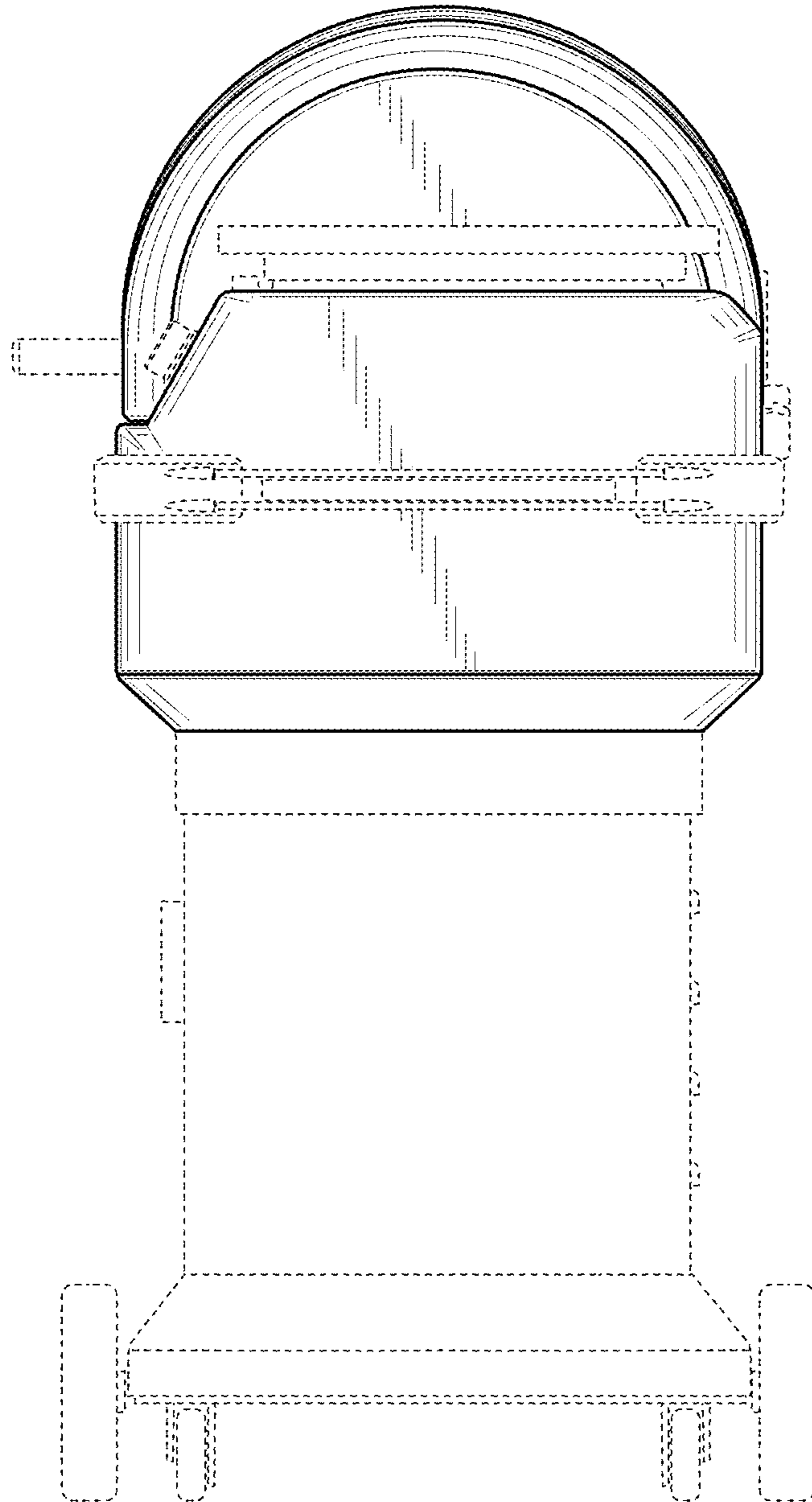


FIG. 3



**FIG. 4**



**FIG. 5**

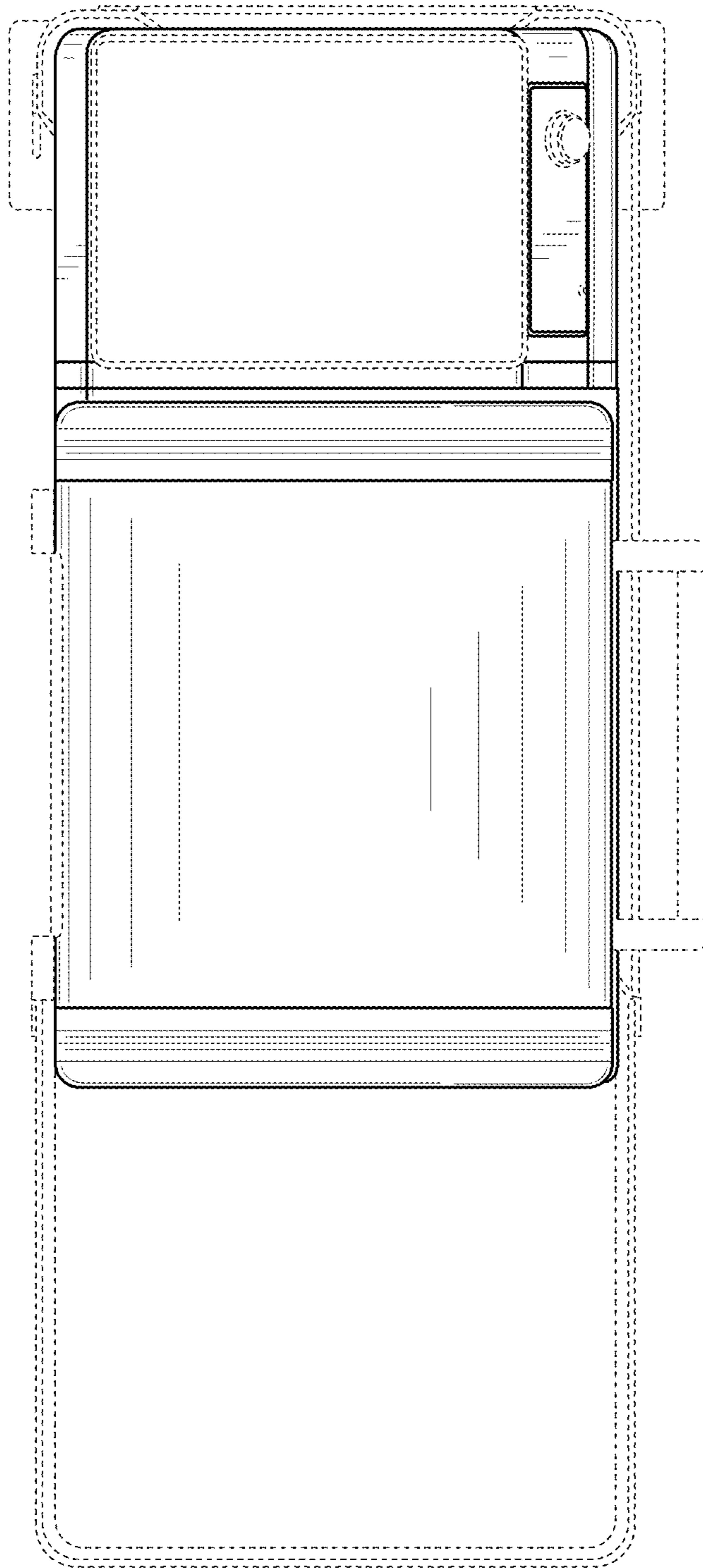


FIG. 6



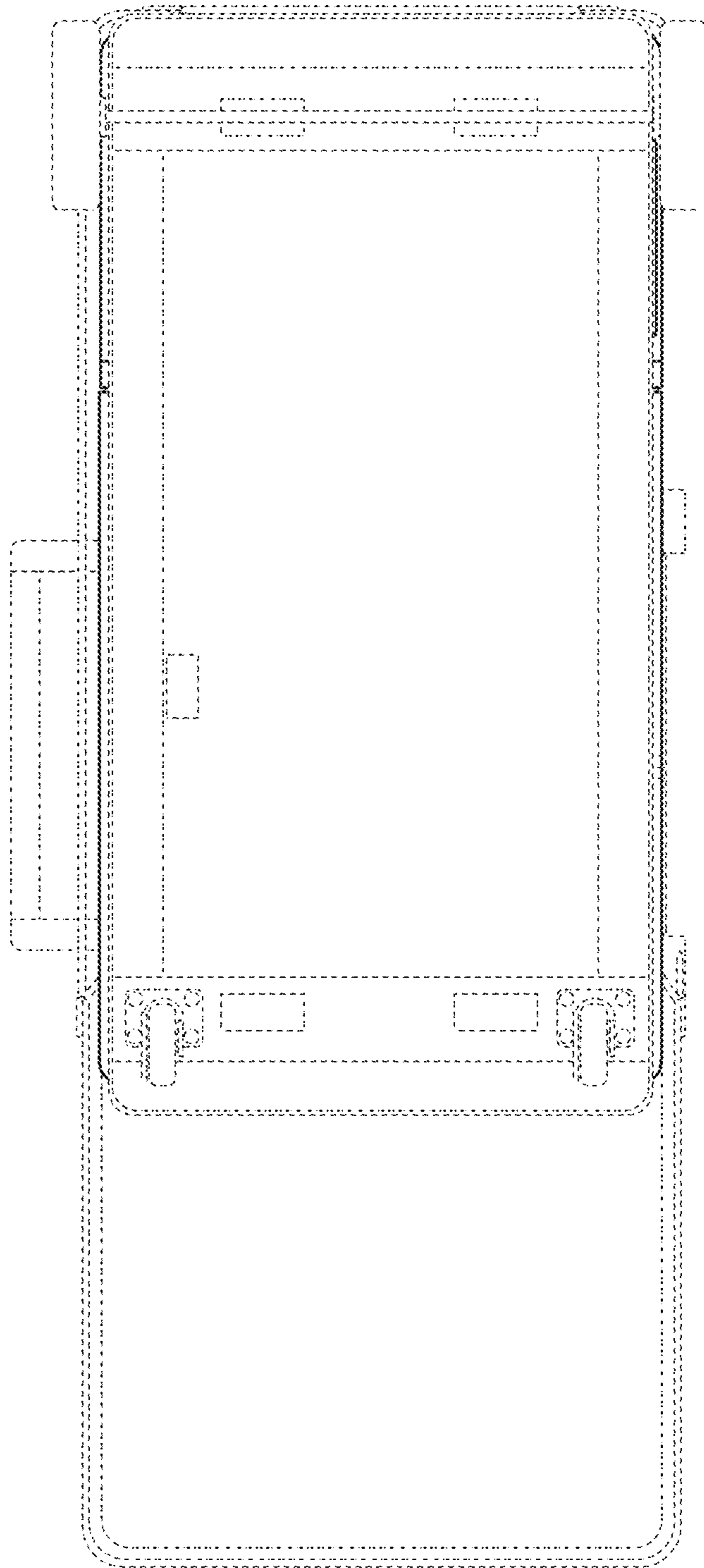


FIG. 7