



US00D948271S

(12) **United States Design Patent**
Wilson

(10) **Patent No.:** **US D948,271 S**

(45) **Date of Patent:** **** Apr. 12, 2022**

(54) **ELECTRIC GRILL**

(71) Applicant: **Javan Wilson**, Miami, FL (US)

(72) Inventor: **Javan Wilson**, Miami, FL (US)

(**) Term: **15 Years**

(21) Appl. No.: **29/652,903**

(22) Filed: **Jan. 4, 2021**

(51) **LOC (13) Cl.** **07-02**

(52) **U.S. Cl.**
USPC **D7/328**

(58) **Field of Classification Search**
USPC D7/323, 324, 328-330, 337, 347, 350.1,
D7/350.4, 363, 390, 402
CPC ... A21B 2/00; A47J 37/00; A47J 37/06; A47J
37/0611; A47J 37/08; A47J 37/0807;
A47J 37/0814; A47J 37/0835; A47J
37/0842; A47J 37/085; A47J 37/0864;
A47J 37/0871; A47J 37/0878; A47J
37/0885; A47J 37/0892; F24C 15/10;
F24C 15/102

See application file for complete search history.

(56) **References Cited**

U.S. PATENT DOCUMENTS

D422,172 S * 4/2000 Hsu D7/337
D423,280 S * 4/2000 Lin D7/337
D433,867 S * 11/2000 Hsu D7/350.4
D442,016 S * 5/2001 Park D7/347
D451,333 S * 12/2001 Hsu D7/350.4
D476,844 S * 7/2003 Hsu D7/350.4
6,707,009 B1 * 3/2004 Ancona A47J 37/0871
219/386

D501,356 S * 2/2005 Averty D7/350.4
D535,522 S * 1/2007 Seager D7/332
D703,993 S * 5/2014 Garman D7/350.1
D723,323 S * 3/2015 Carlson D7/350.1
D772,637 S * 11/2016 Barquin D7/337
D799,882 S * 10/2017 Sherwin D7/324

OTHER PUBLICATIONS

Hamilton Beach Digital Countertop Toaster Oven. Date First Available on Amazon.com Jul. 15, 2016. [https://www.amazon.com/Hamilton-Beach-31128-Roll-Top-Stainless/dp/B01IHNV95G/ref\(Year:2016\).](https://www.amazon.com/Hamilton-Beach-31128-Roll-Top-Stainless/dp/B01IHNV95G/ref(Year:2016).)*

* cited by examiner

Primary Examiner — Ricky Pham
(74) *Attorney, Agent, or Firm* — Dunlap Bennett & Ludwig, PLLC

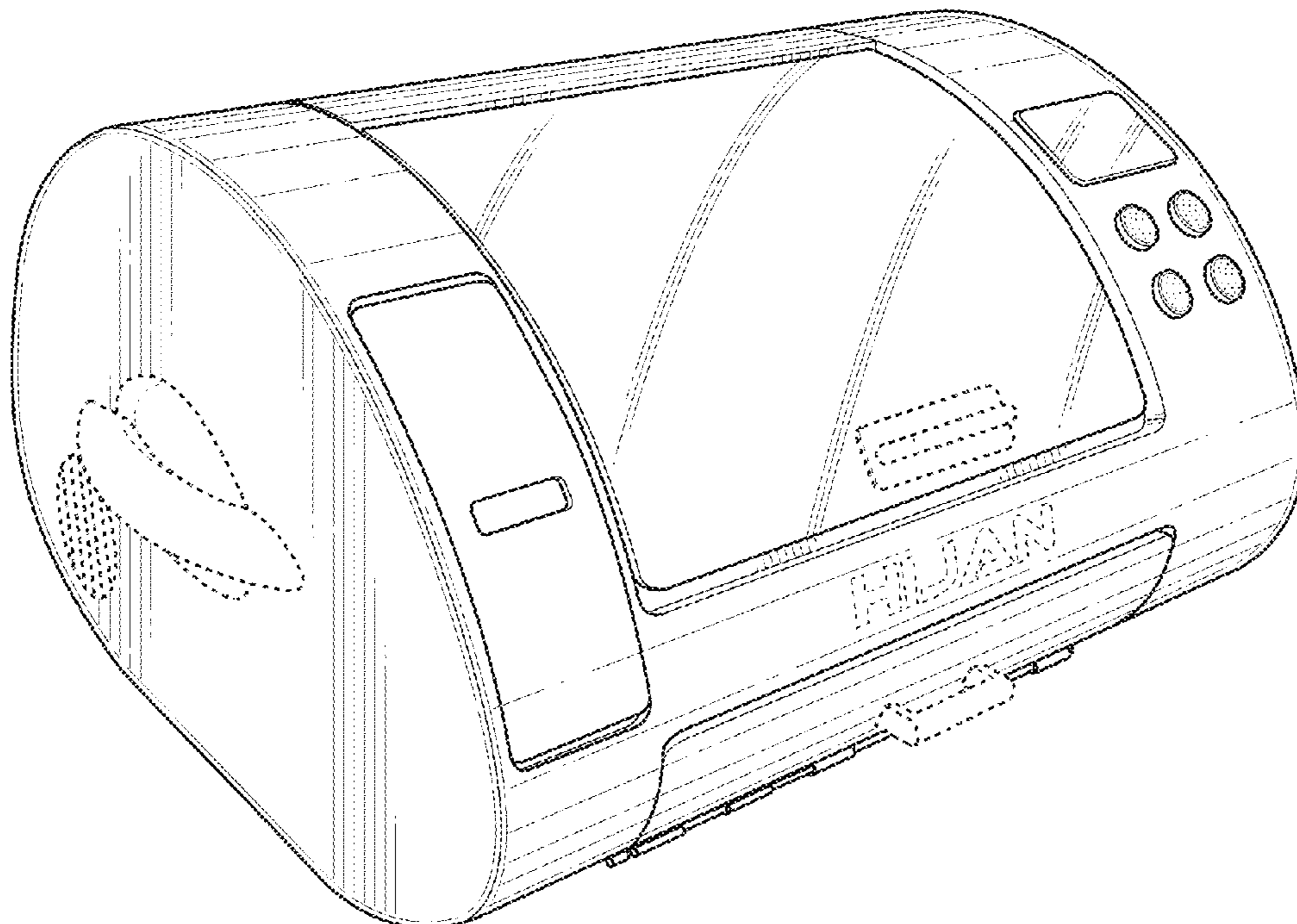
(57) **CLAIM**

The ornamental design for an electric grill, as shown and described.

DESCRIPTION

FIG. 1 is a perspective view of an electric grill, showing my new design;
FIG. 2 is a front elevation view thereof;
FIG. 3 is a rear elevation view thereof;
FIG. 4 is a left-side elevation view thereof;
FIG. 5 is a right-side elevation view thereof;
FIG. 6 is a top plan view thereof; and,
FIG. 7 is a bottom plan view thereof.
The broken lines shown in the drawings depict portions of the electric grill that form no part of the claimed design.

1 Claim, 5 Drawing Sheets



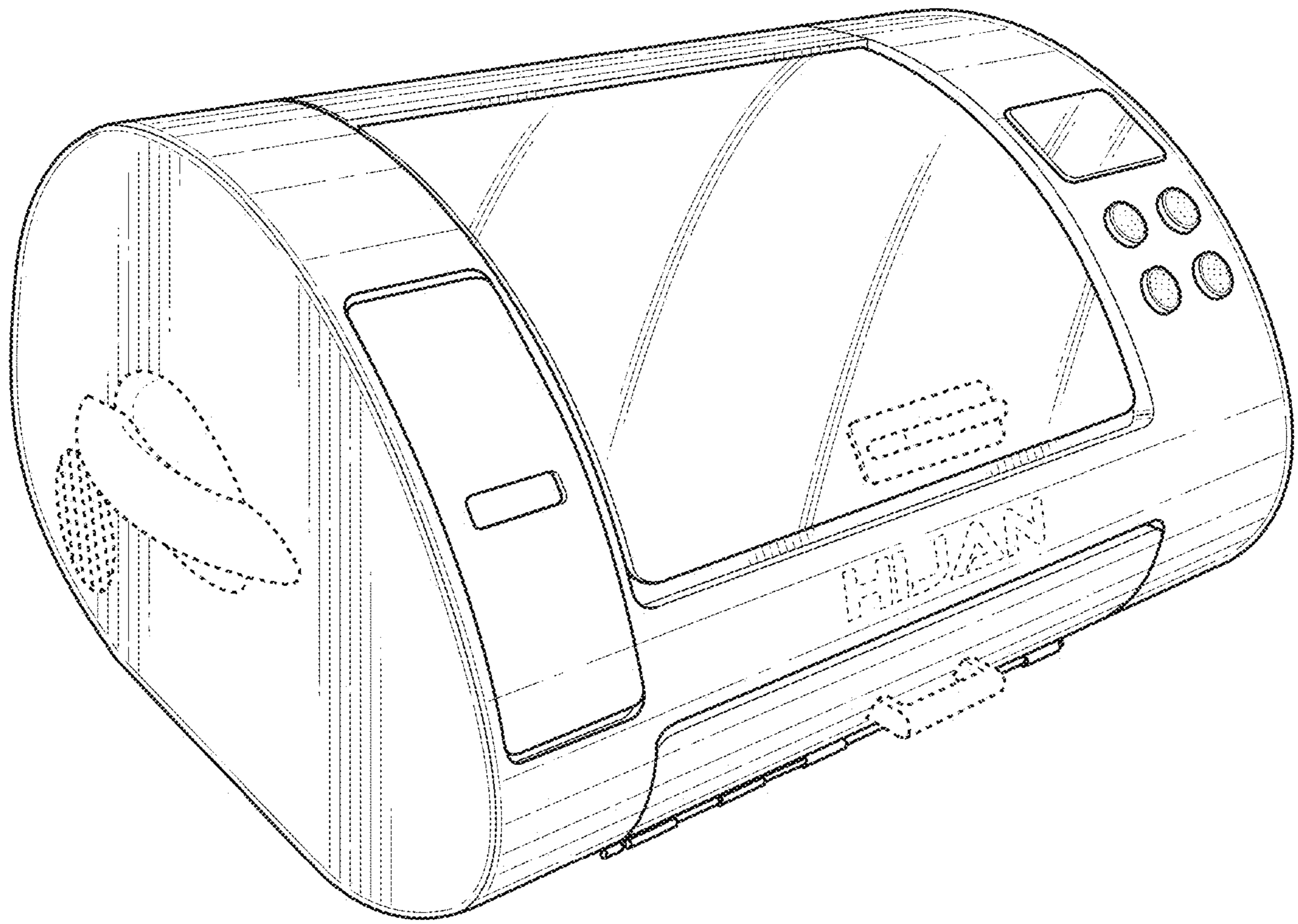


FIG. 1

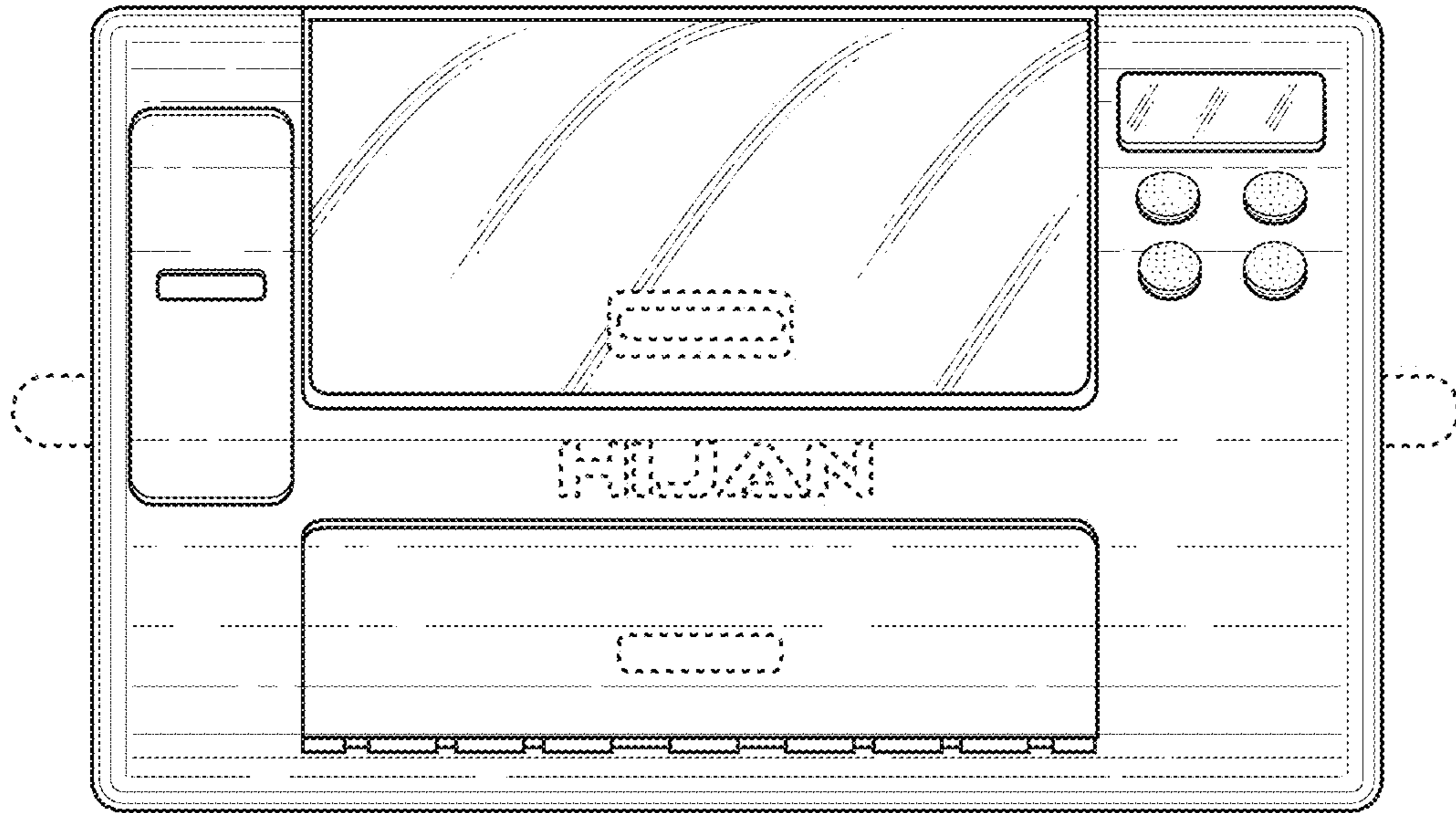


FIG. 2

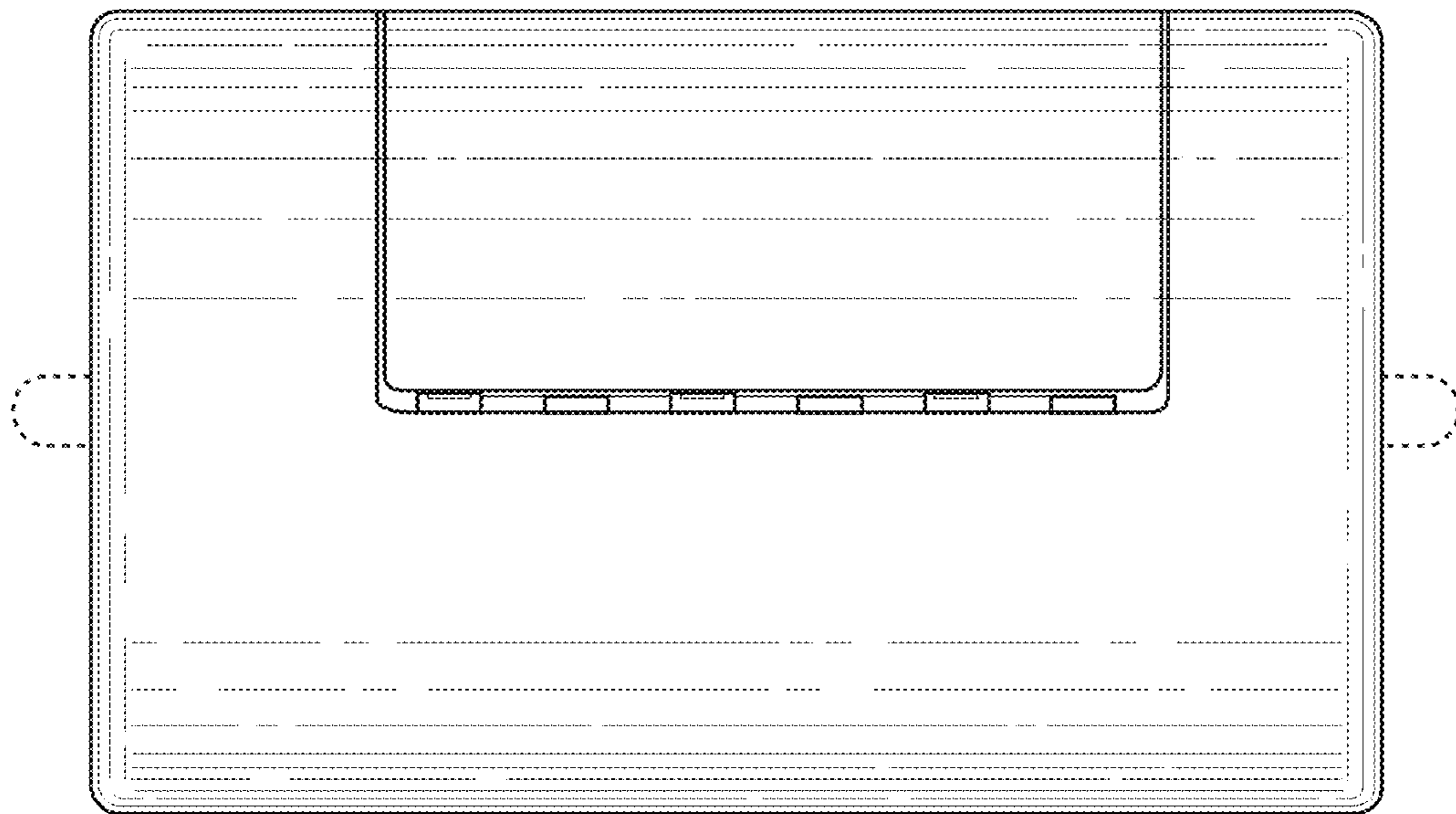


FIG. 3

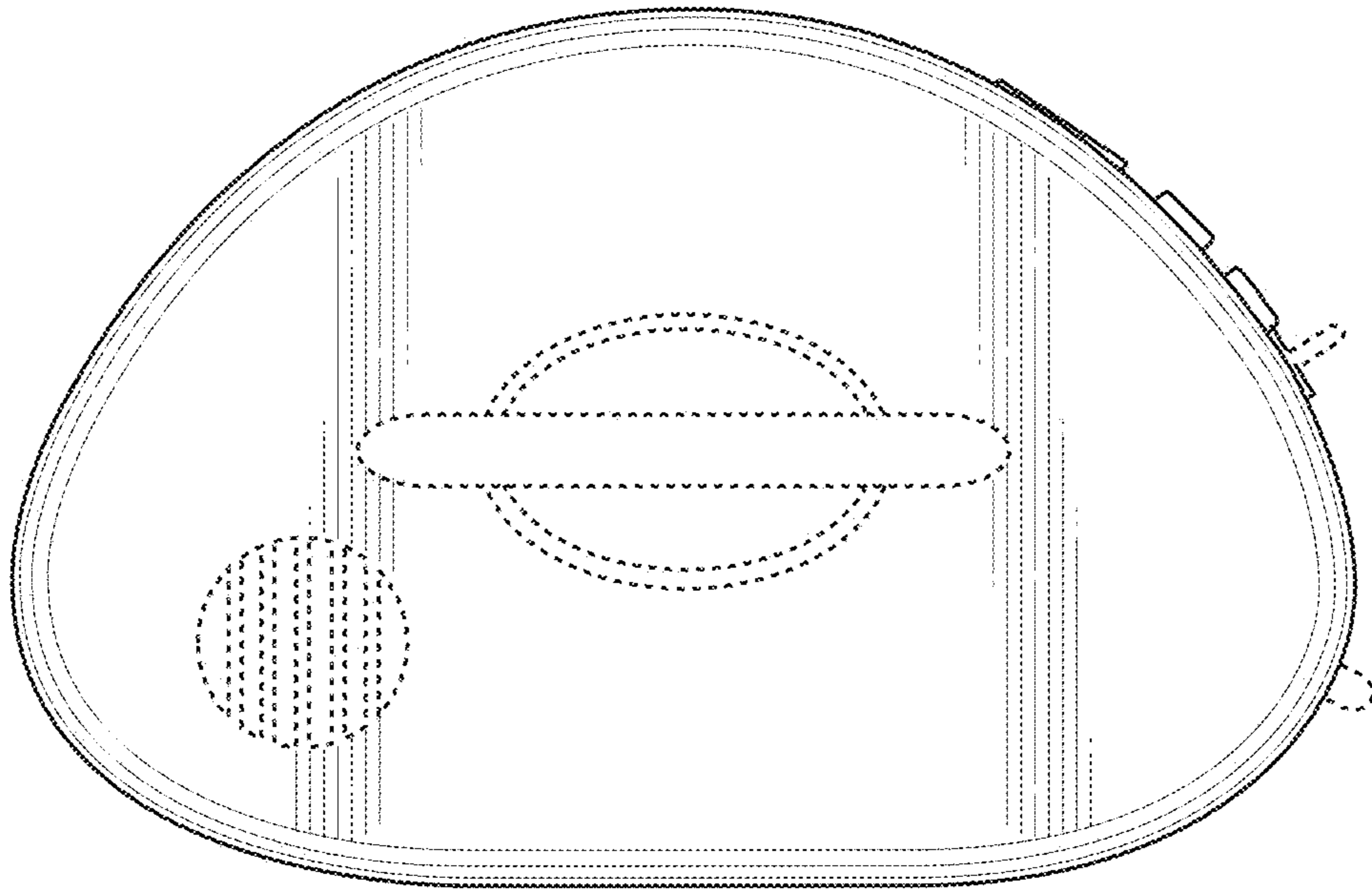


FIG. 4

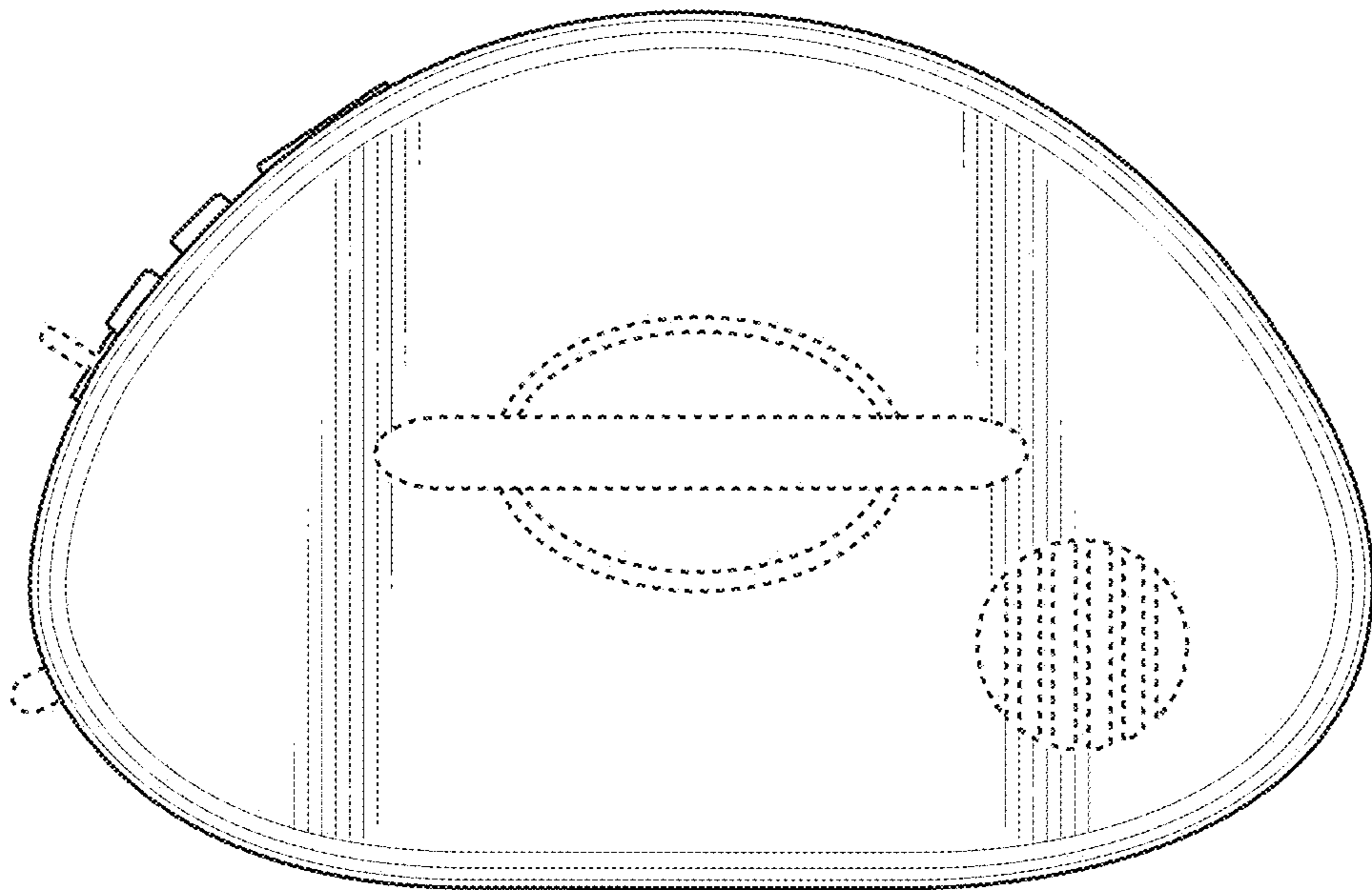


FIG. 5

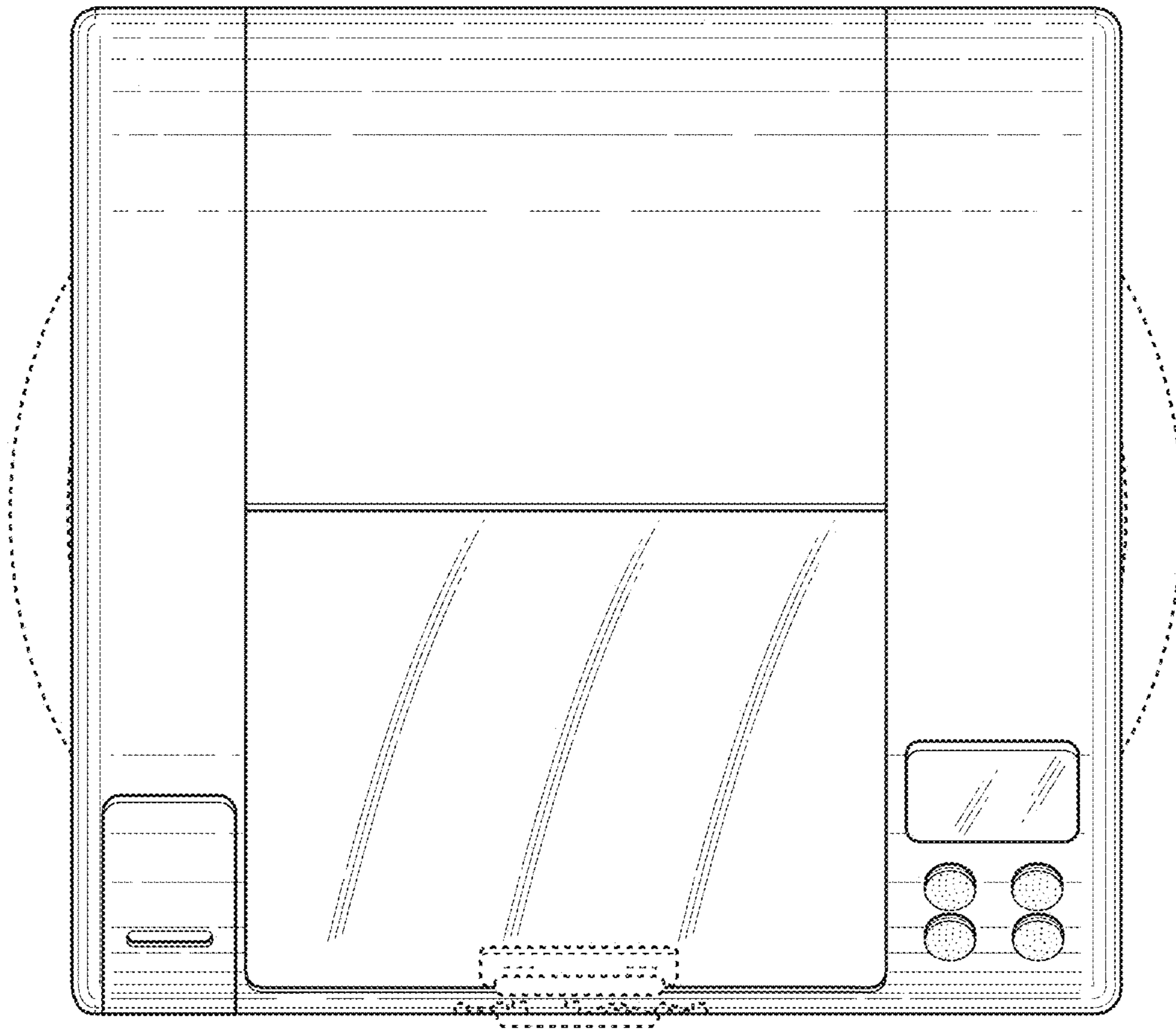


FIG. 6

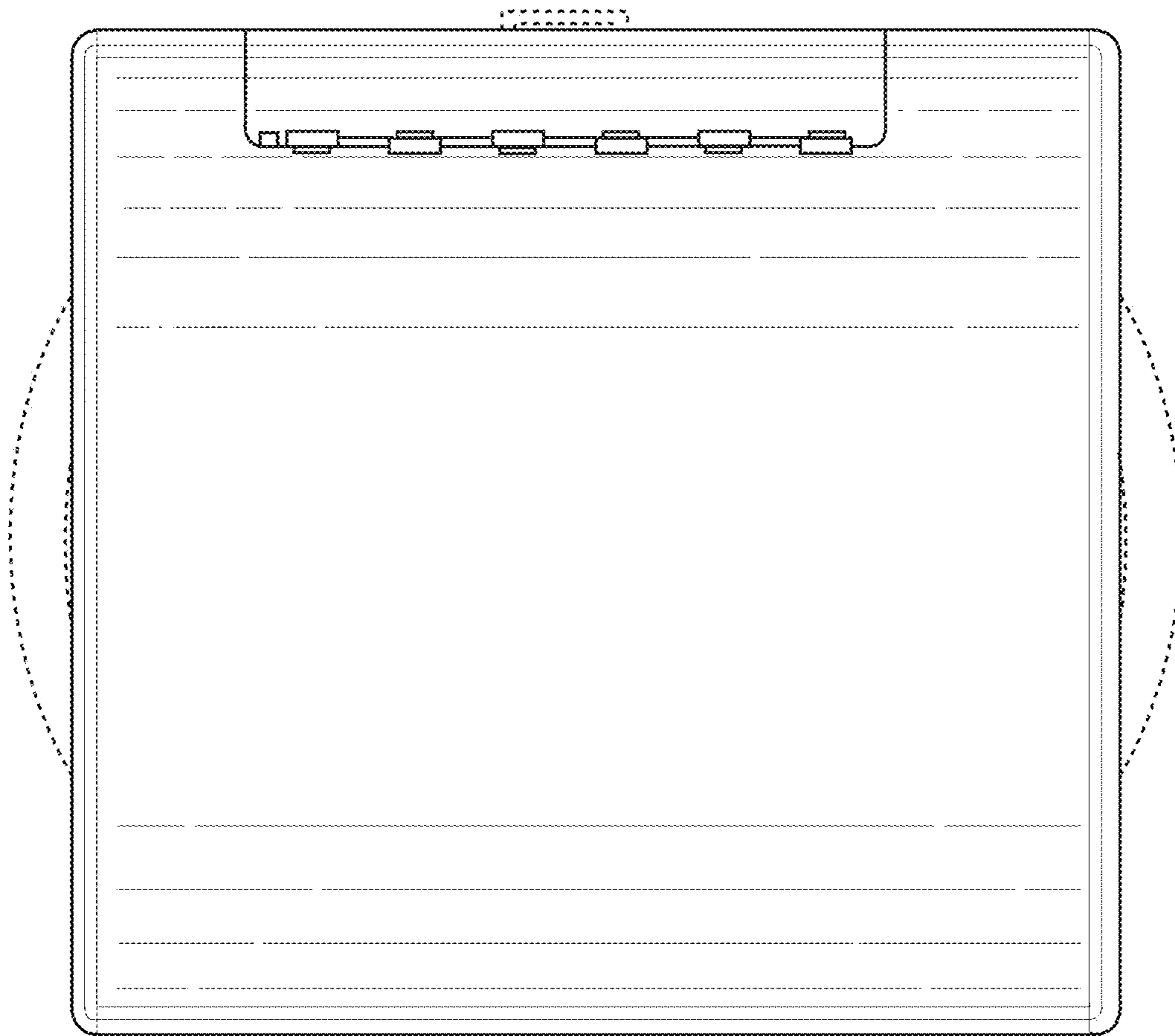


FIG. 7