



US00D948269S

(12) **United States Design Patent**
Byun

(10) **Patent No.:** **US D948,269 S**
(45) **Date of Patent:** **** Apr. 12, 2022**

(54) **BEVERAGE DISPENSER**

- (71) Applicant: **Société des Produits Nestlé S.A.,**
Vevey (CH)
- (72) Inventor: **Da-Mi Byun,** Lausanne (CH)
- (73) Assignee: **SOCIÉTÉ DES PRODUITS NESTLÉ**
S.A., Vevey (CH)

- (**) Term: **15 Years**
- (21) Appl. No.: **29/693,450**
- (22) Filed: **Jun. 3, 2019**

(30) **Foreign Application Priority Data**

Feb. 28, 2019 (CH) 144511

(51) **LOC (13) Cl.** **07-01**

(52) **U.S. Cl.**
USPC **D7/309; D7/311**

(58) **Field of Classification Search**

USPC D7/213, 300, 305-313, 367, 386, 387,
D7/397-400, 665; D15/80, 82; D23/207
CPC ... B67D 3/00; B67D 1/04; B67D 1/00; B67D
1/0021; B67D 1/0085; B67D 1/0086;
B67D 1/0089; B67D 1/0857; B67D
1/0864; B67D 2001/0087; A47J 31/00;
A47J 31/0573; A47J 31/18; A47J 31/36;
A47J 31/3633; A47J 31/407; A47J 31/44;
A47J 31/4403; A47J 31/4482; A47J
31/46; A47J 31/467; A47J 31/50; A47J
31/52; A47J 27/04; A47J 2203/00; A47J
31/0615; B65D 83/00; B65D 35/14;
B65D 35/36; B65D 35/46; A23F 5/262

See application file for complete search history.

(56) **References Cited**

U.S. PATENT DOCUMENTS

- D666,051 S * 8/2012 de Pra D7/309
- D667,251 S * 9/2012 Cahen D7/309
- D696,888 S * 1/2014 Cahen D7/309
- D714,088 S * 9/2014 Cahen D7/309

(Continued)

FOREIGN PATENT DOCUMENTS

- GB 6009831 * 3/2017
- IN 285083-0001 * 8/2017

(Continued)

OTHER PUBLICATIONS

Tan, Trevor, "Nespresso Prodigio: The connected coffee machine,"
Jun. 15, 2016, The Straits Times, www.straitstimes.com/tech/
nespresso-prodigio-the-connected-coffee-machine (Year: 2016).*

(Continued)

Primary Examiner — Shannon W Morgan

Assistant Examiner — Arva P Adams

(74) *Attorney, Agent, or Firm* — Finnegan, Henderson,
Farabow, Garrett & Dunner, LLP

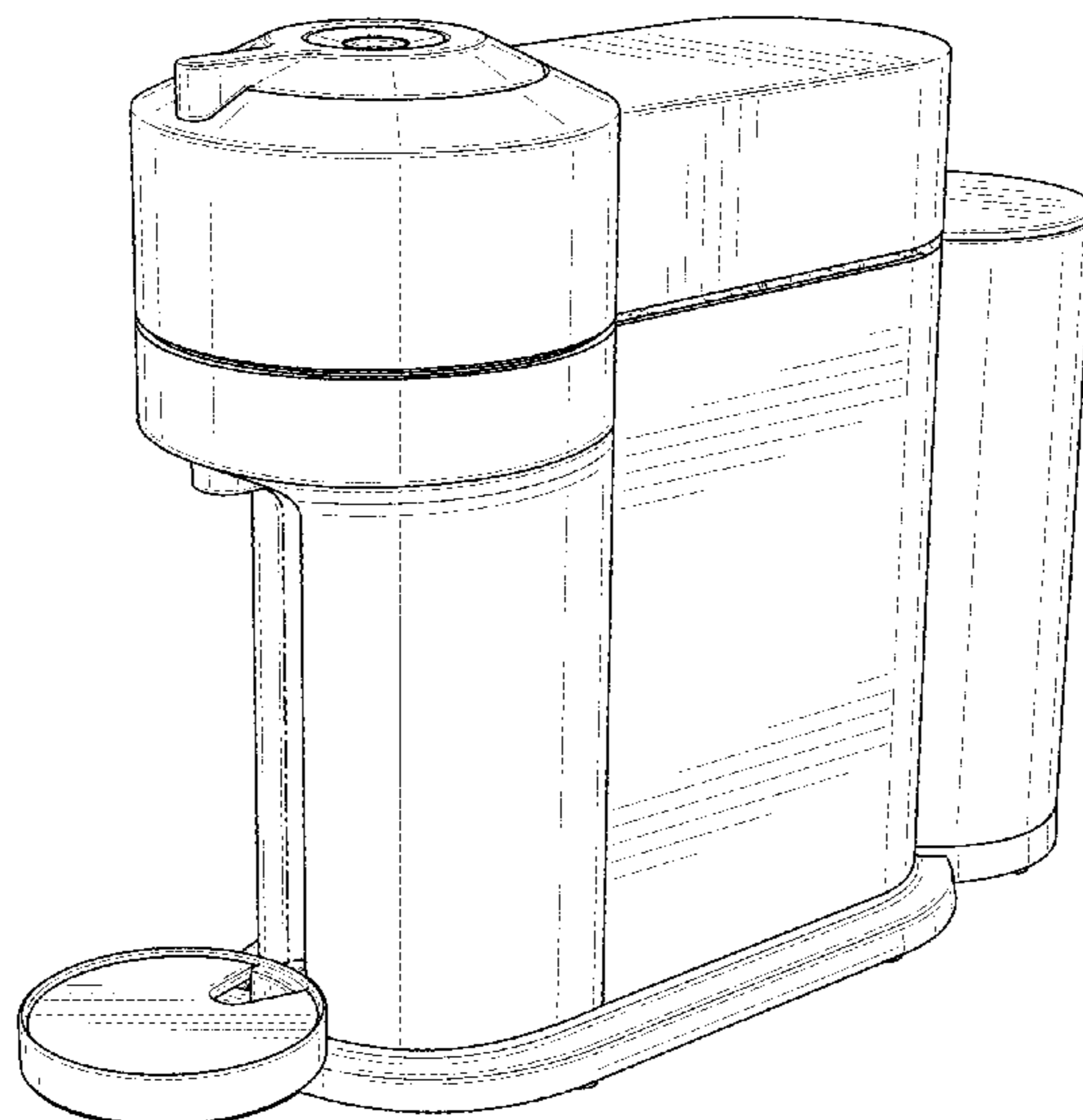
(57) **CLAIM**

The ornamental design for a beverage dispenser, as shown
and described.

DESCRIPTION

FIG. 1 is a top, front, right perspective view of a beverage
dispenser showing my new design;
FIG. 2 is a front elevation view thereof;
FIG. 3 is a rear elevation view thereof;
FIG. 4 is a left side view thereof;
FIG. 5 is a right side view thereof;
FIG. 6 is a top plan view thereof; and,
FIG. 7 is a bottom plan view thereof.
The broken lines of even length illustrate the portions of the
design that form no part of the claimed design.
The dot-dash-dot broken lines depict the boundaries of the
claim and form no part thereof.

1 Claim, 7 Drawing Sheets



(56)

References Cited

U.S. PATENT DOCUMENTS

D718,565 S * 12/2014 Spagnolo D7/309
 D728,988 S * 5/2015 Warburton A47J 31/4482
 D755,000 S * 5/2016 Lovati D7/306
 D781,633 S * 3/2017 Cahen D7/306
 D830,756 S * 10/2018 Cahen D7/306
 D831,398 S * 10/2018 Cahen D7/306
 D836,371 S * 12/2018 Cahen D7/306
 D841,383 S * 2/2019 Warburton D7/306
 D861,407 S * 10/2019 Vu D7/310
 D872,513 S * 1/2020 Kaplan D7/306
 D877,551 S * 3/2020 Nalen D7/306
 2017/0050835 A1 * 2/2017 Moon B67D 1/0895
 2017/0050836 A1 * 2/2017 Yoon B67D 1/0864
 2017/0050837 A1 * 2/2017 Kim B67D 1/0895
 2017/0291807 A1 * 10/2017 Jeon B67D 1/0855
 2018/0002153 A1 * 1/2018 Kim B67D 1/0888
 2019/0276299 A1 * 9/2019 Park B67D 1/08
 2020/0307984 A1 * 10/2020 Kristlbauer B67D 1/07
 2020/0307985 A1 * 10/2020 Kristlbauer A47J 31/3628
 2021/0002121 A1 * 1/2021 Jang A47J 31/4482

FOREIGN PATENT DOCUMENTS

JP D1542100 * 1/2016
 KR 300702505.0000 * 7/2013

KR 300702505.0001 * 11/2013
 KR 3009292640001 * 11/2017
 RU 00103433 * 5/2017
 RU 00103520 * 5/2017
 WO WO-D082273-001 * 5/2014
 WO WO-D086548-001 * 11/2015

OTHER PUBLICATIONS

Stark, Leigh, "A properly instant coffee: Nespresso VertuoPlus reviewed," Oct. 23, 2017, Pickr, www.pickr.com.au/reviews/2017/nespresso-vertuoplus-vertuo-coffee-machine/ (Year: 2017).*

Gogola, Sebastian, "DeLonghi EC685 Dedicca review," May 9, 2018, Sebastian Gogola's Interests, <https://sebastiangogola773121735.wordpress.com/2018/05/09/delonghi-ec685-dedicca-review/> (Year: 2018).*

Keurig, "Keurig K-Mini Plus Coffee Maker," Aug. 10, 2018, Amazon.com, www.amazon.com/dp/B07DR89BR6?th=1 (Year: 2018).*

Nestle Nespresso, "Nespresso Vertuo Next Deluxe Coffee and Espresso Machine," Dec. 17, 2020, Amazon.com, www.amazon.com/dp/B08QV9KPTV (Year: 2020).*

Nespresso, "Nespresso Vertuo Next—Coffee Preparation," Jan. 31, 2020, YouTube.com, www.youtube.com/watch?v=T9nixM1467Y (Year: 2020).*

* cited by examiner

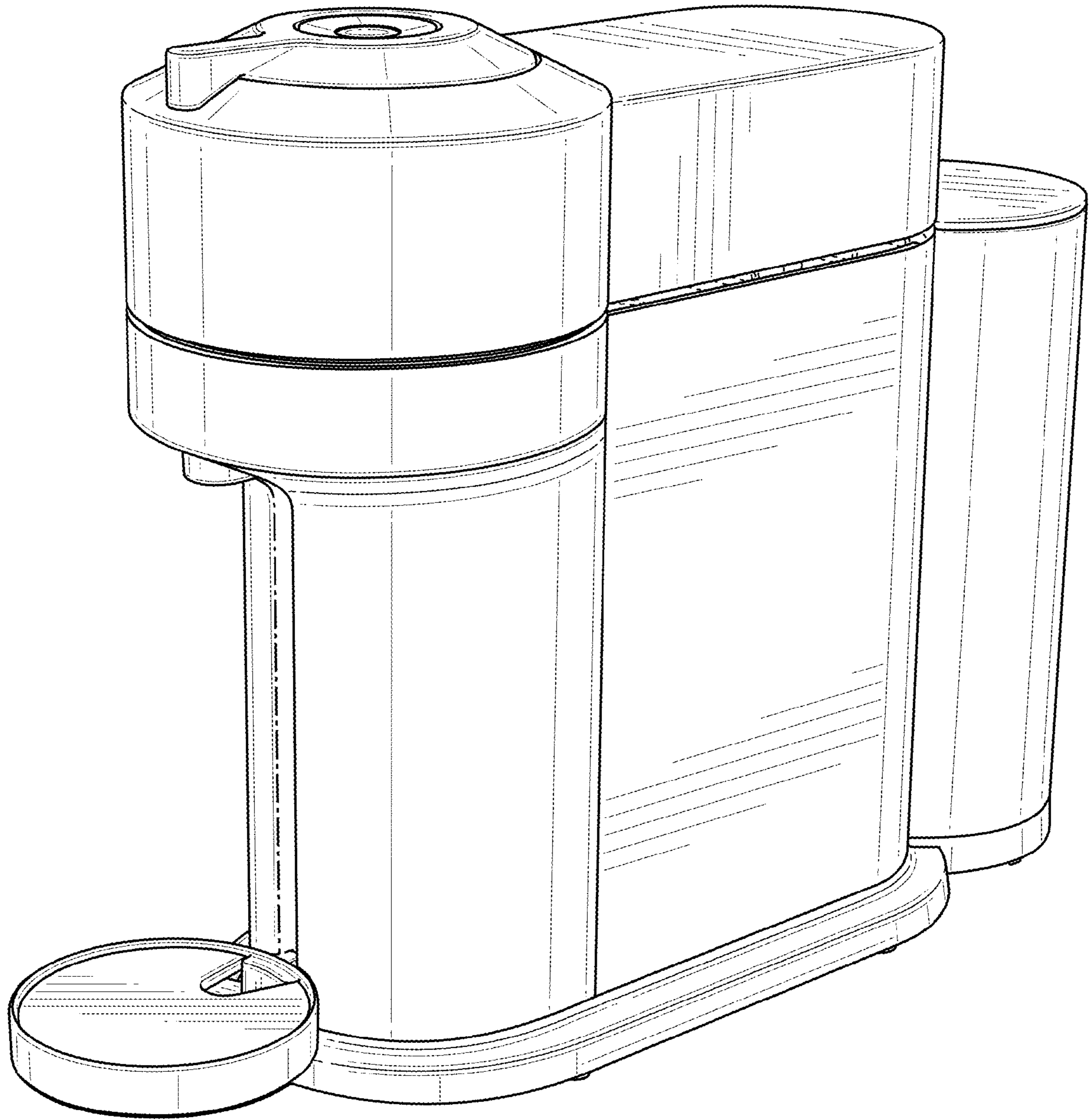


FIG. 1

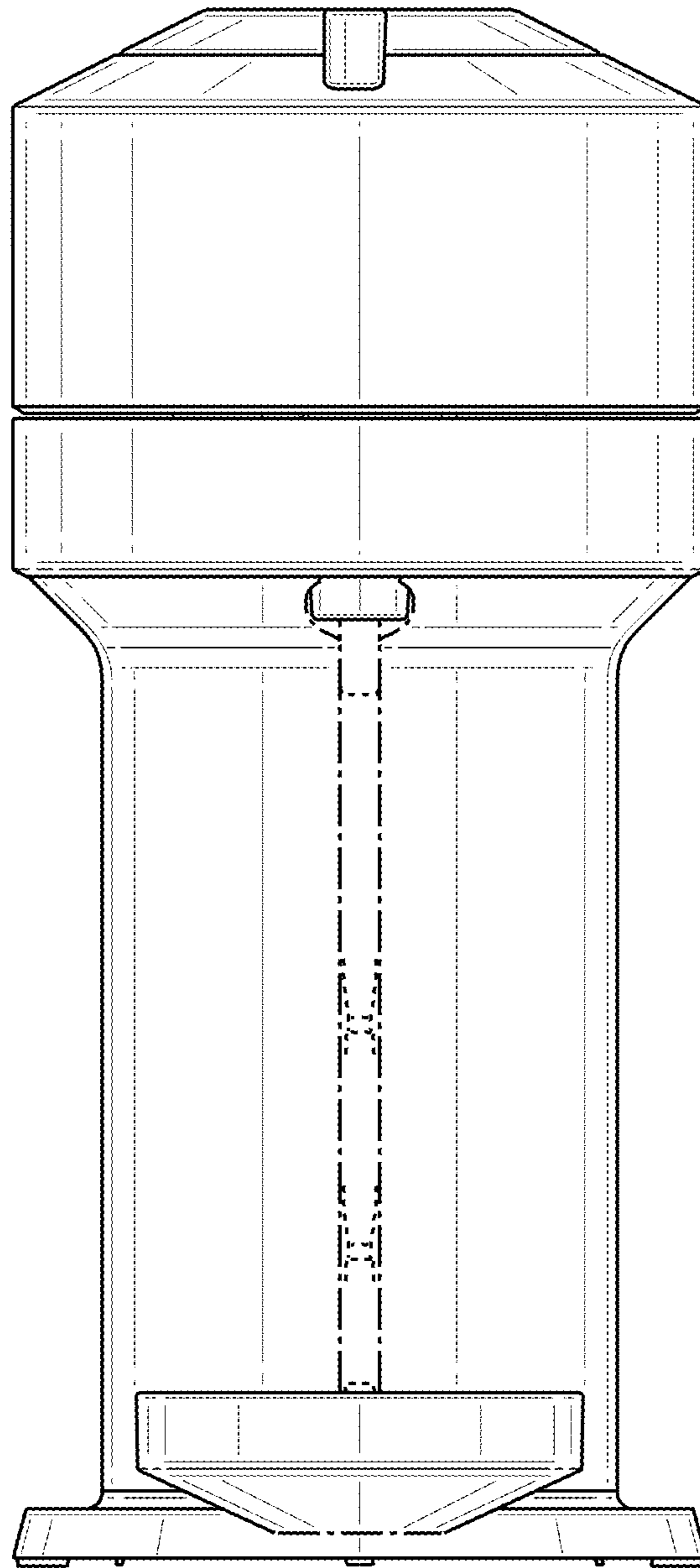


FIG. 2

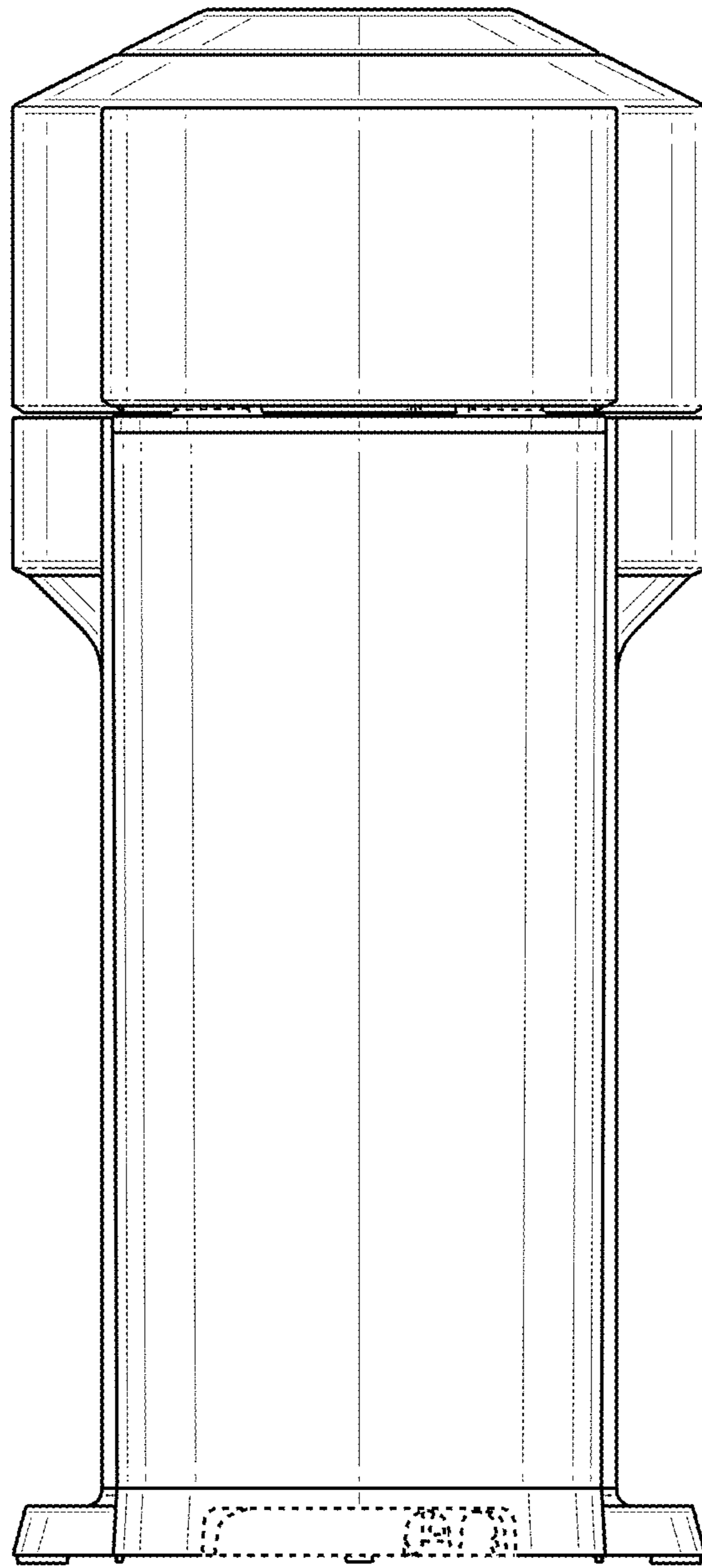


FIG. 3

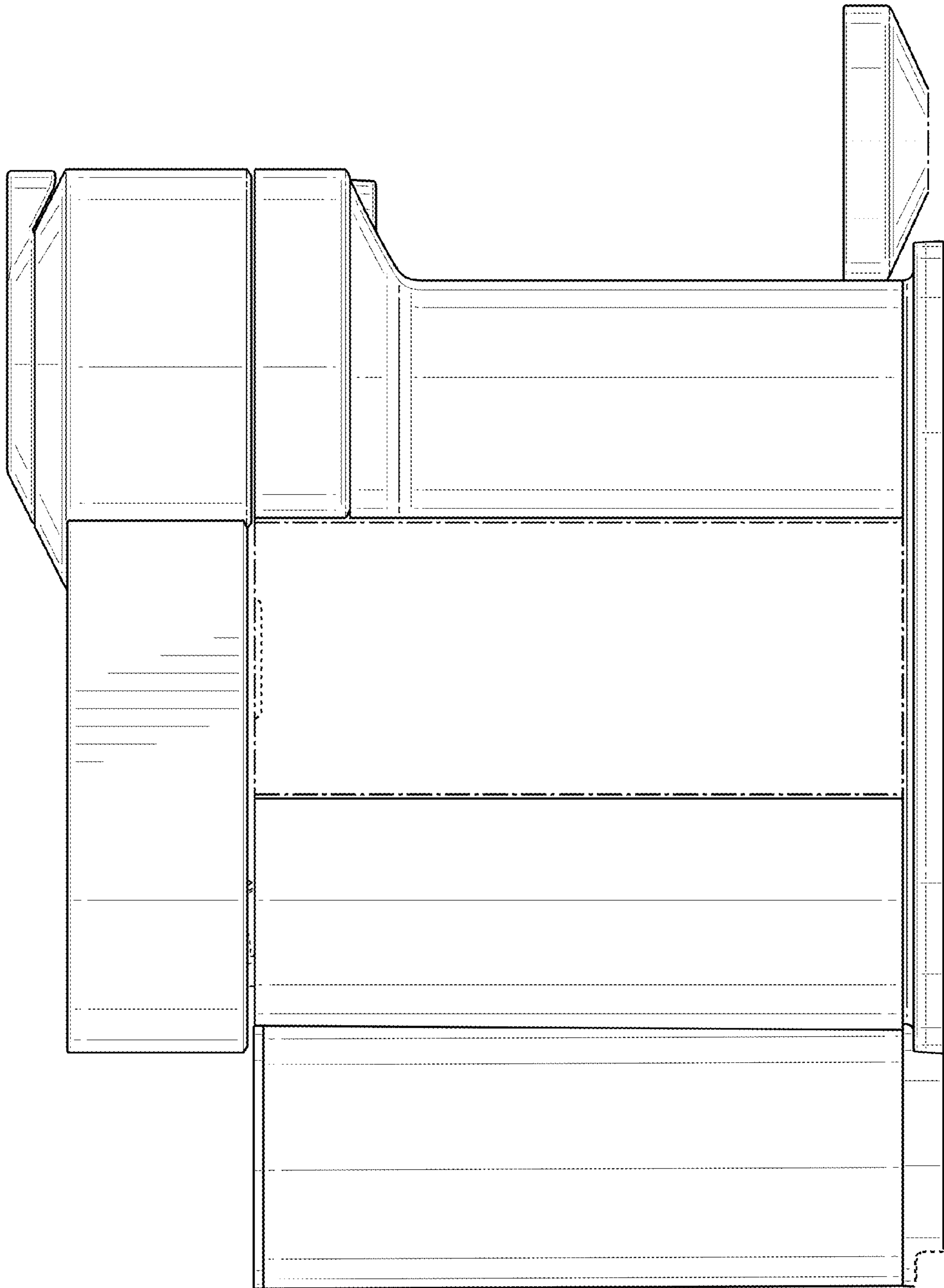


FIG. 4

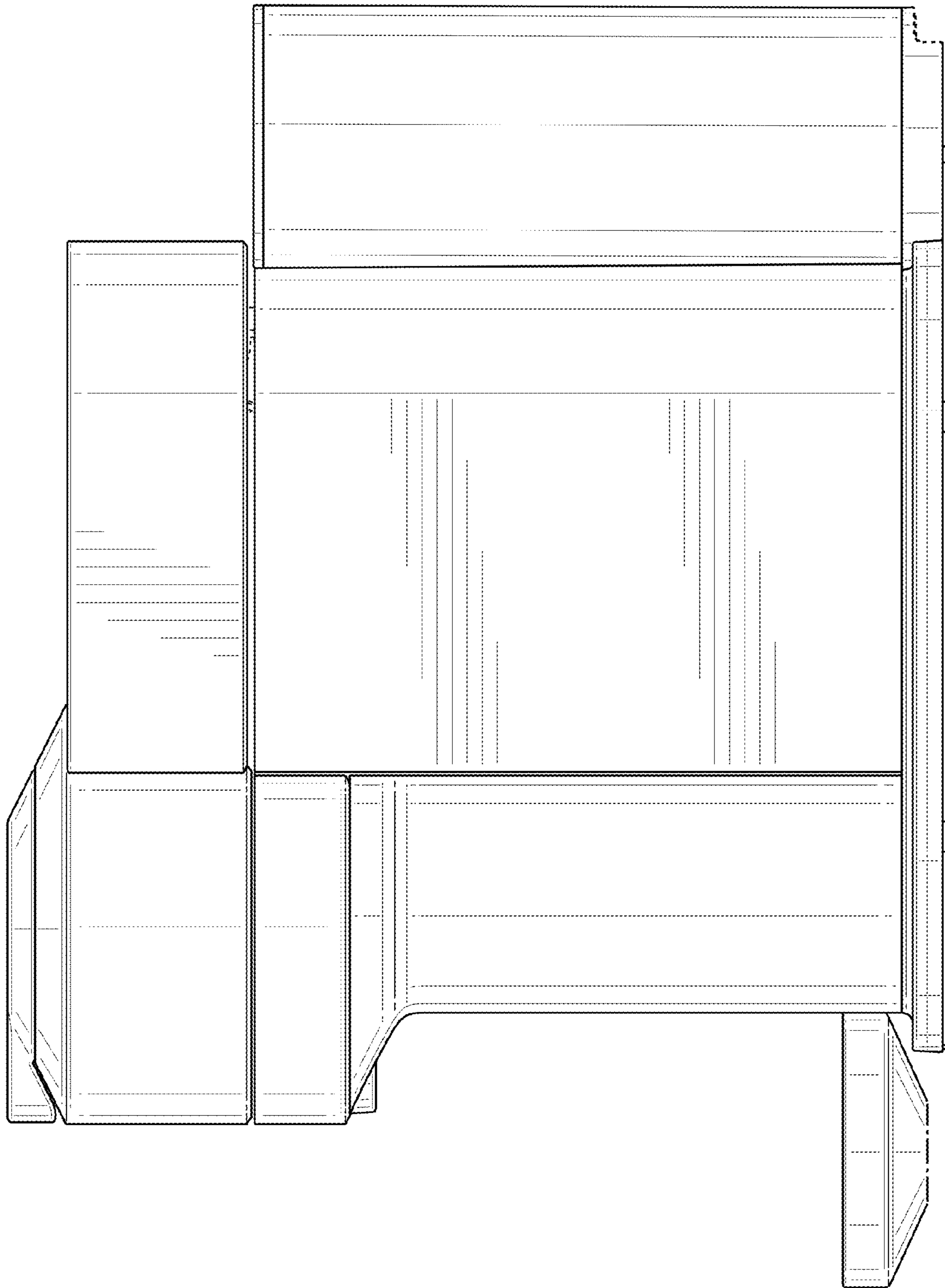


FIG. 5

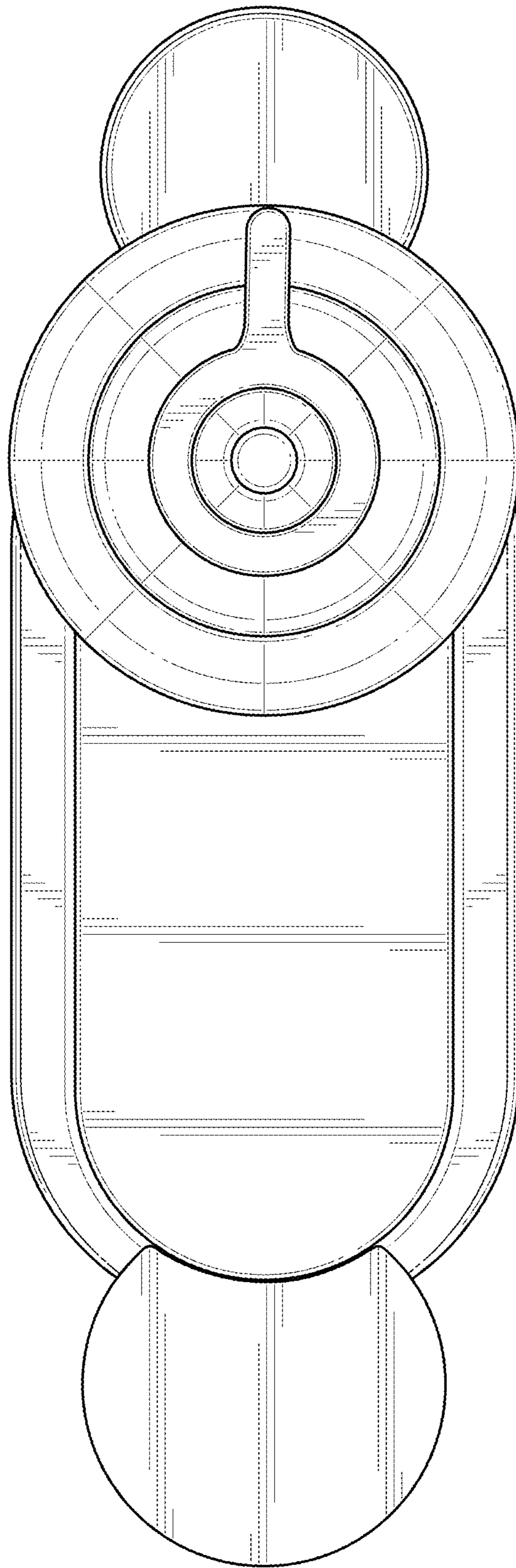


FIG. 6

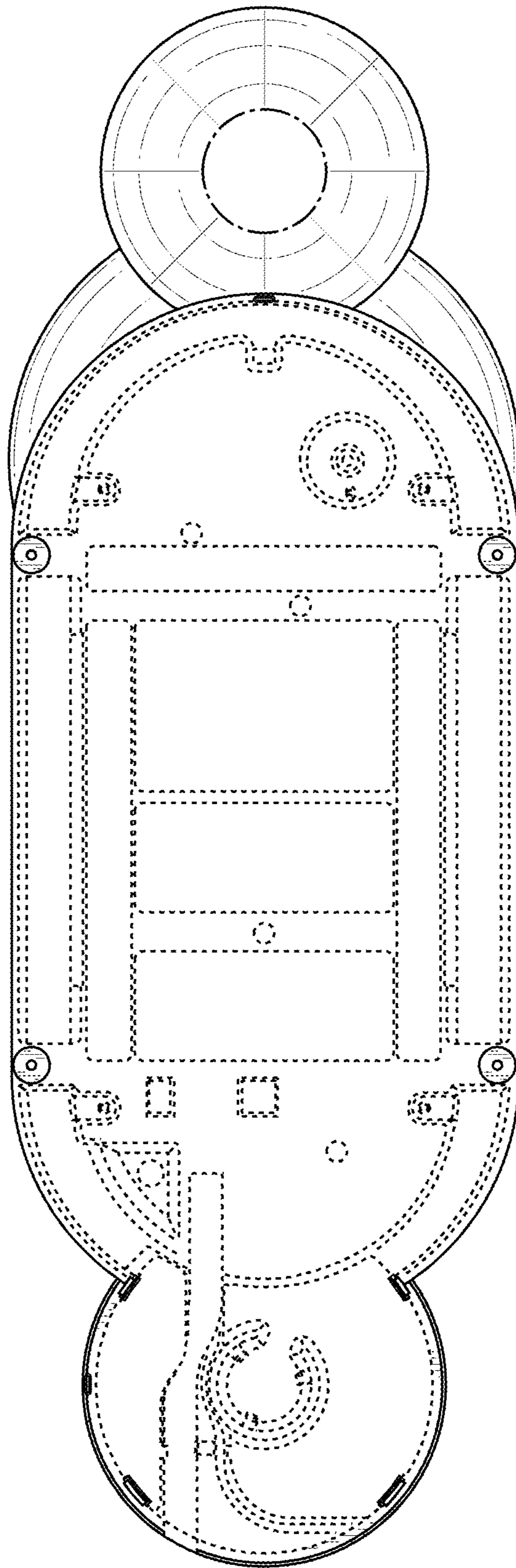


FIG. 7