



US00D948268S

(12) **United States Design Patent**
Sun et al.

(10) **Patent No.:** **US D948,268 S**
(45) **Date of Patent:** **** Apr. 12, 2022**

- (54) **WATER DISPENSER**
- (71) Applicant: **NINGBO AQUART ELECTRICAL APPLIANCE CO., LTD.**, Ningbo (CN)
- (72) Inventors: **Yucheng Sun**, Wujiaqu (CN); **Nie Cen**, Cixi (CN); **Jiajie Liu**, Cixi (CN)
- (73) Assignee: **NINGBO AQUART ELECTRICAL APPLIANCE CO., LTD.**, Ningbo (CN)

D700,795 S *	3/2014	Yui	D7/305
D714,580 S *	10/2014	Moon	D7/307
D832,021 S *	10/2018	Yoon	D7/313
D878,134 S *	3/2020	Rubin	D7/313
D882,037 S *	4/2020	Roh	D23/207
D913,412 S *	3/2021	Lee	D23/207
D932,225 S *	10/2021	Gates	D7/306
2004/0226313 A1 *	11/2004	Busick	B67D 3/0029 62/397

(**) Term: **15 Years**

(21) Appl. No.: **29/753,103**

(22) Filed: **Sep. 30, 2020**

(51) **LOC (13) Cl.** **07-01**

(52) **U.S. Cl.**
USPC **D7/307**

(58) **Field of Classification Search**
USPC D7/300, 304–311, 312, 313, 213, 397,
D7/399, 400; D15/79, 81, 89, 91
CPC A47J 31/00; B67D 1/00; B67D 1/0003;
B67D 1/0004; B67D 1/0005; F25D
23/12; F25D 23/126; Y10T 137/00; Y10T
137/0318; Y10T 137/0379
See application file for complete search history.

(56) **References Cited**

U.S. PATENT DOCUMENTS

D643,667 S *	8/2011	Yui	D7/307
D700,794 S *	3/2014	Yui	D7/305

* cited by examiner

Primary Examiner — Michelle E. Wilson

Assistant Examiner — Andrew Kerr

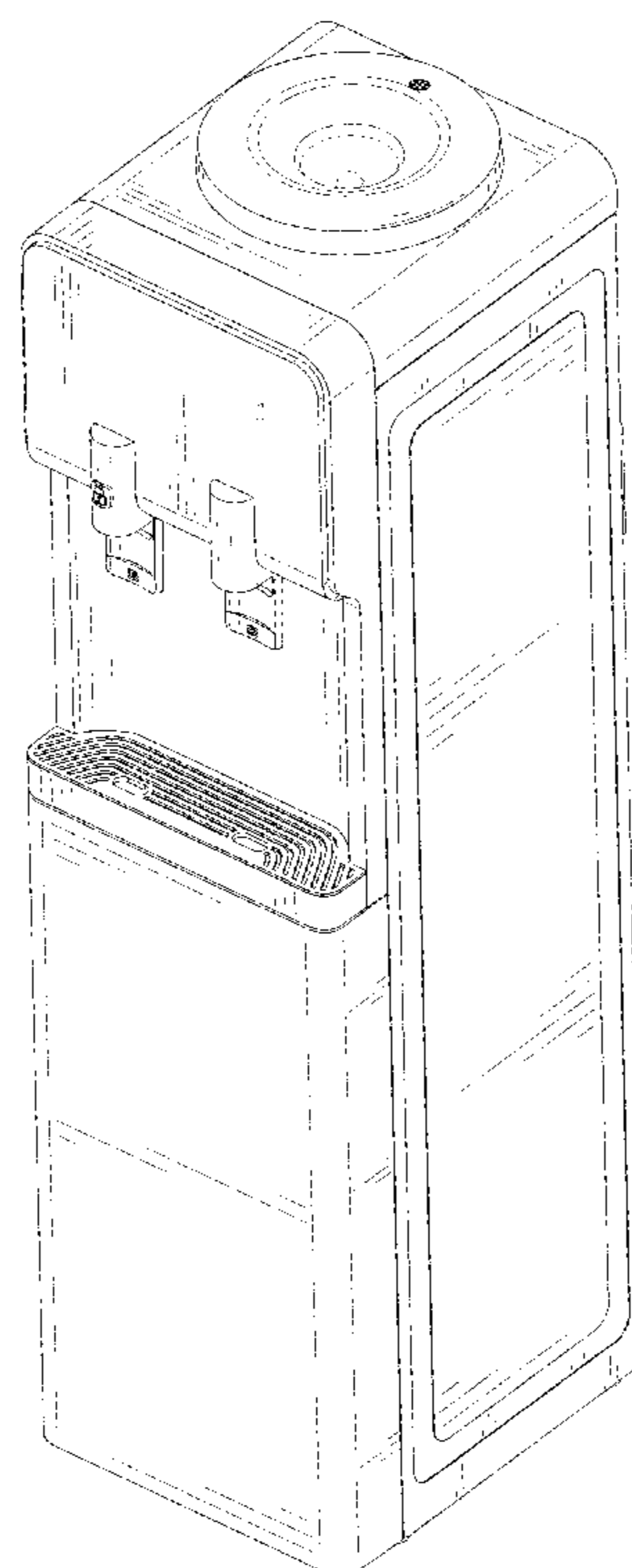
(57) **CLAIM**

The ornamental design for a water dispenser, as shown and described.

DESCRIPTION

FIG. 1 is perspective view of a water dispenser, showing our new design;
FIG. 2 is another perspective view thereof;
FIG. 3 is a front elevational view thereof;
FIG. 4 is a rear elevational view thereof;
FIG. 5 is a left side elevational view thereof;
FIG. 6 is a right side elevational view thereof;
FIG. 7 is a top plan view thereof; and,
FIG. 8 is a bottom plan view thereof.
The broken lines in the drawings depict portions of the water dispenser that form no part of the claimed design.

1 Claim, 8 Drawing Sheets



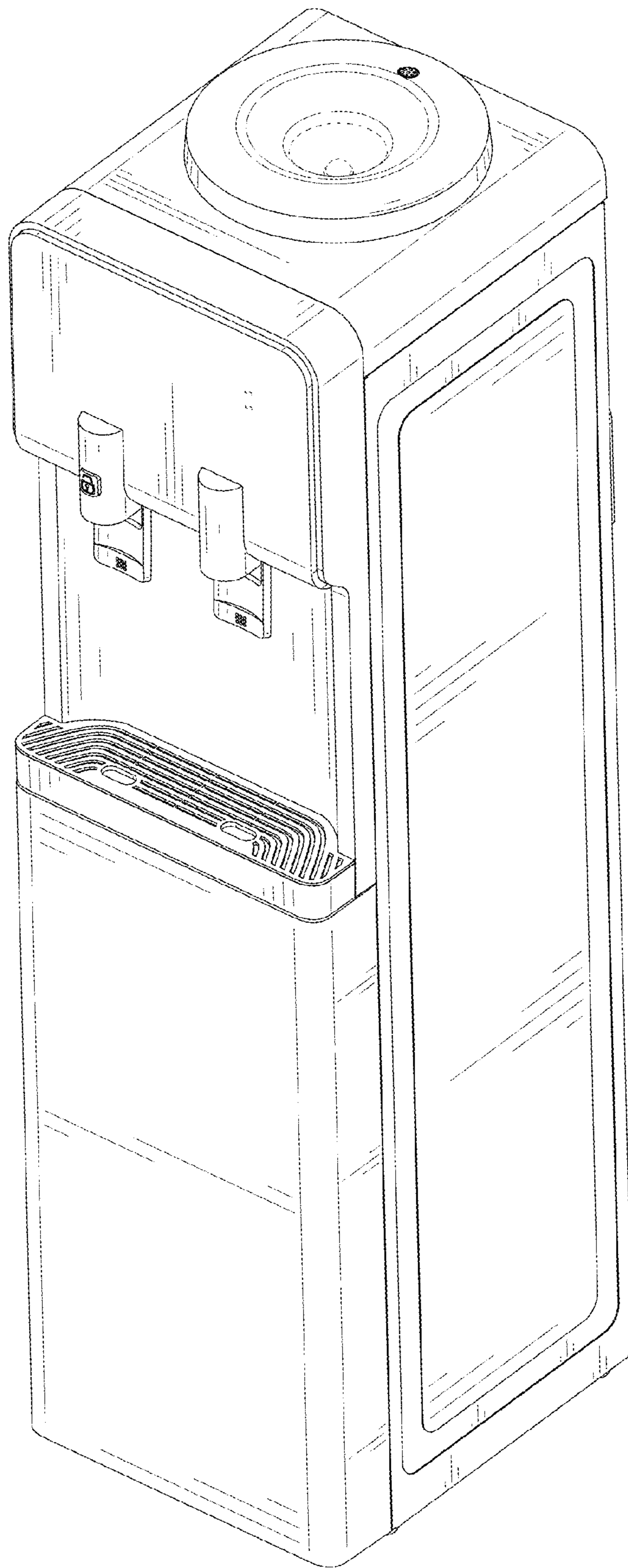


FIG. 1

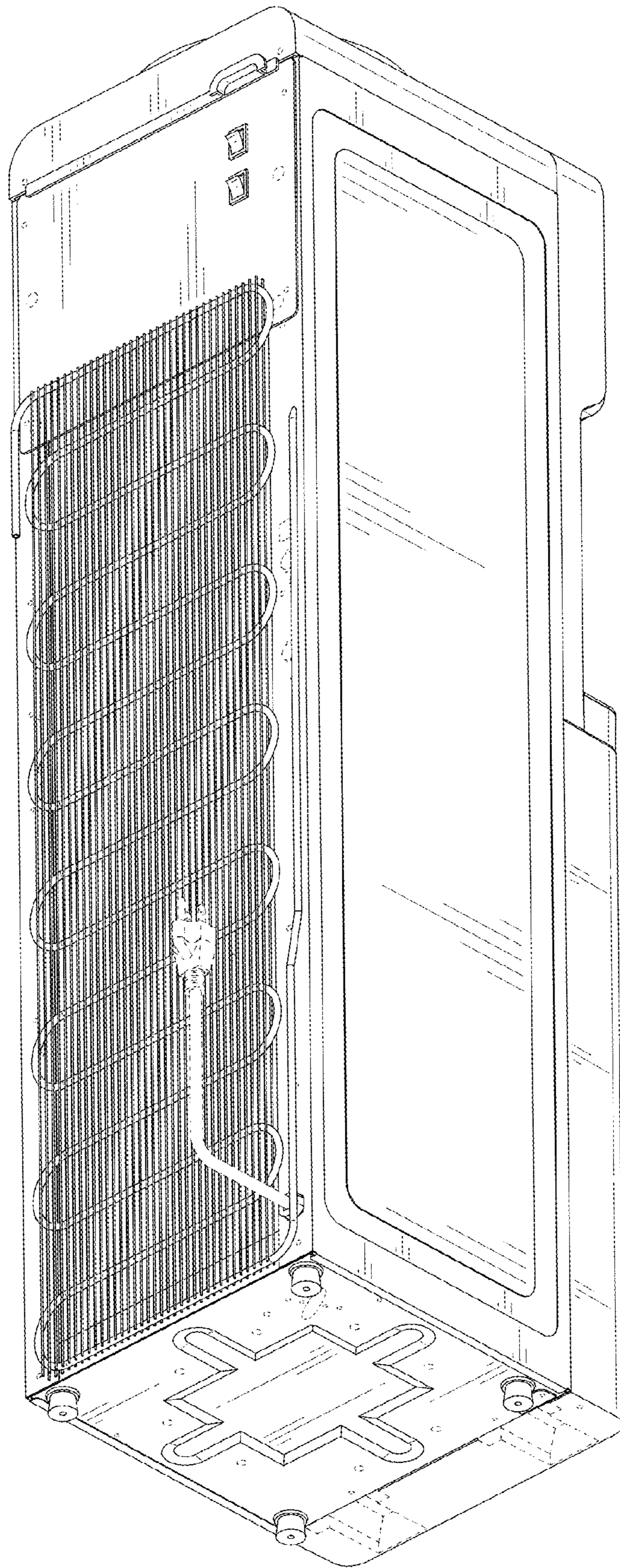


FIG. 2

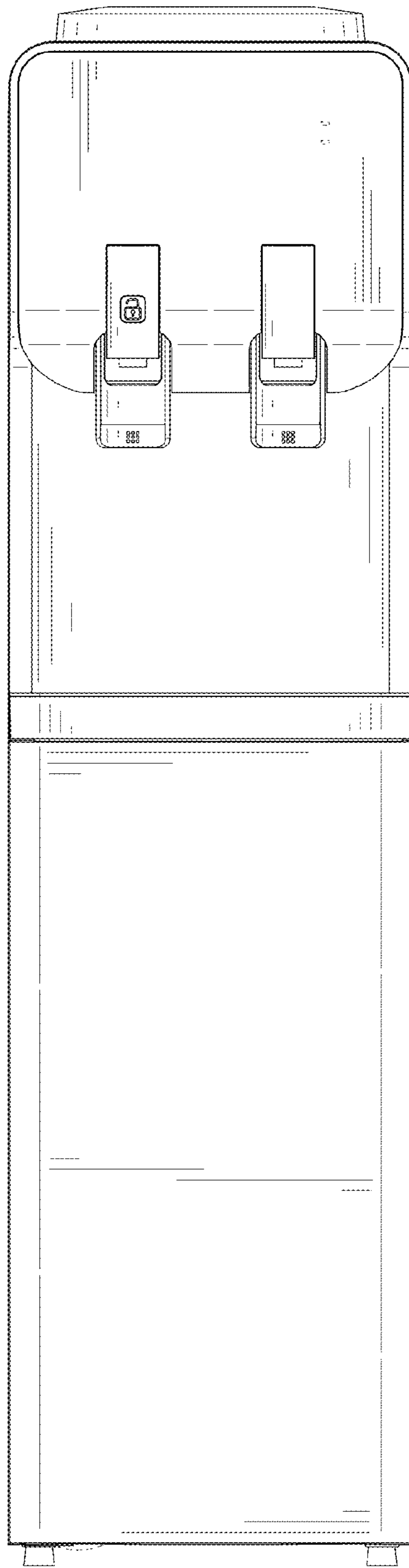


FIG. 3

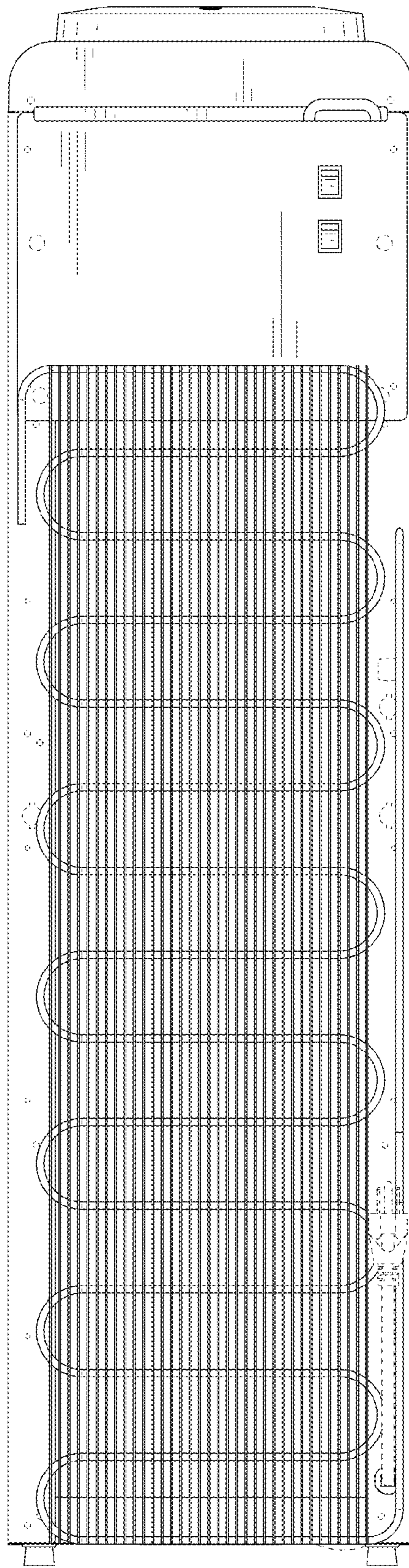


FIG. 4

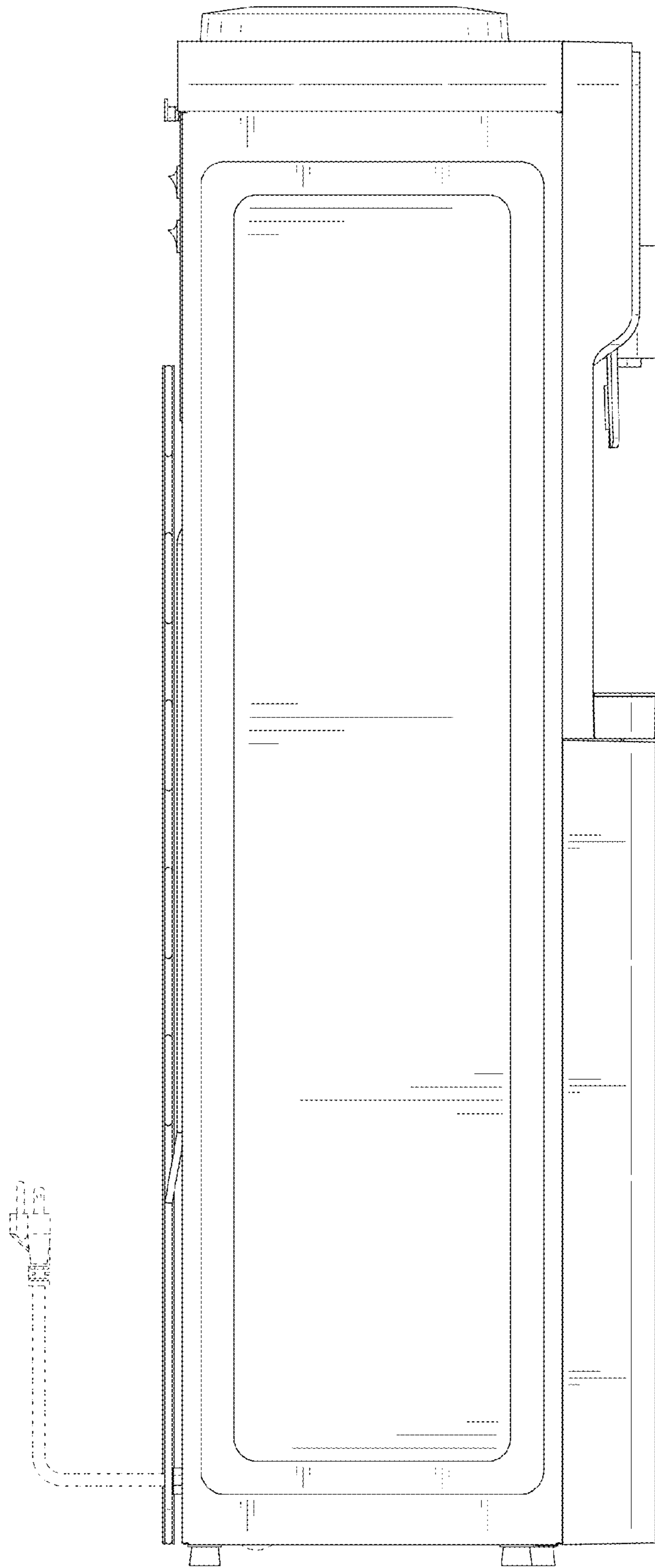


FIG. 5

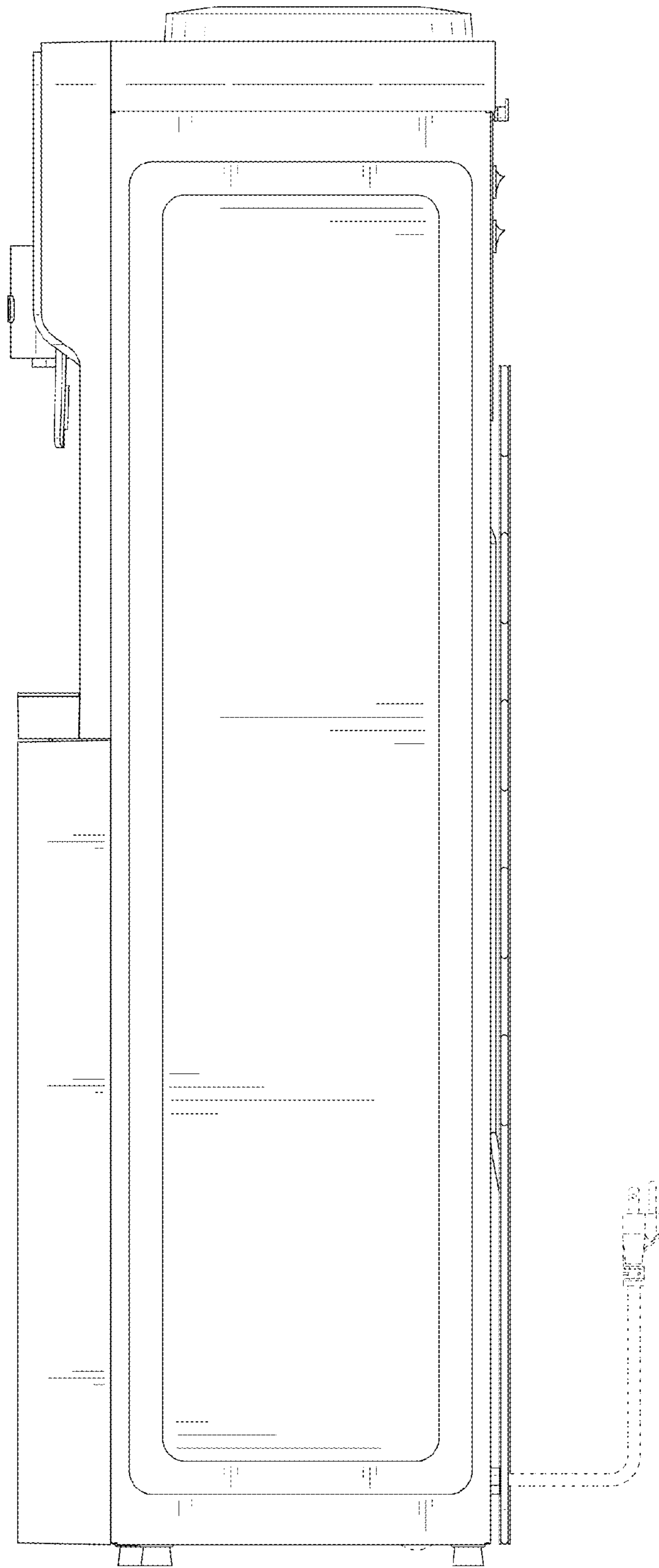


FIG. 6

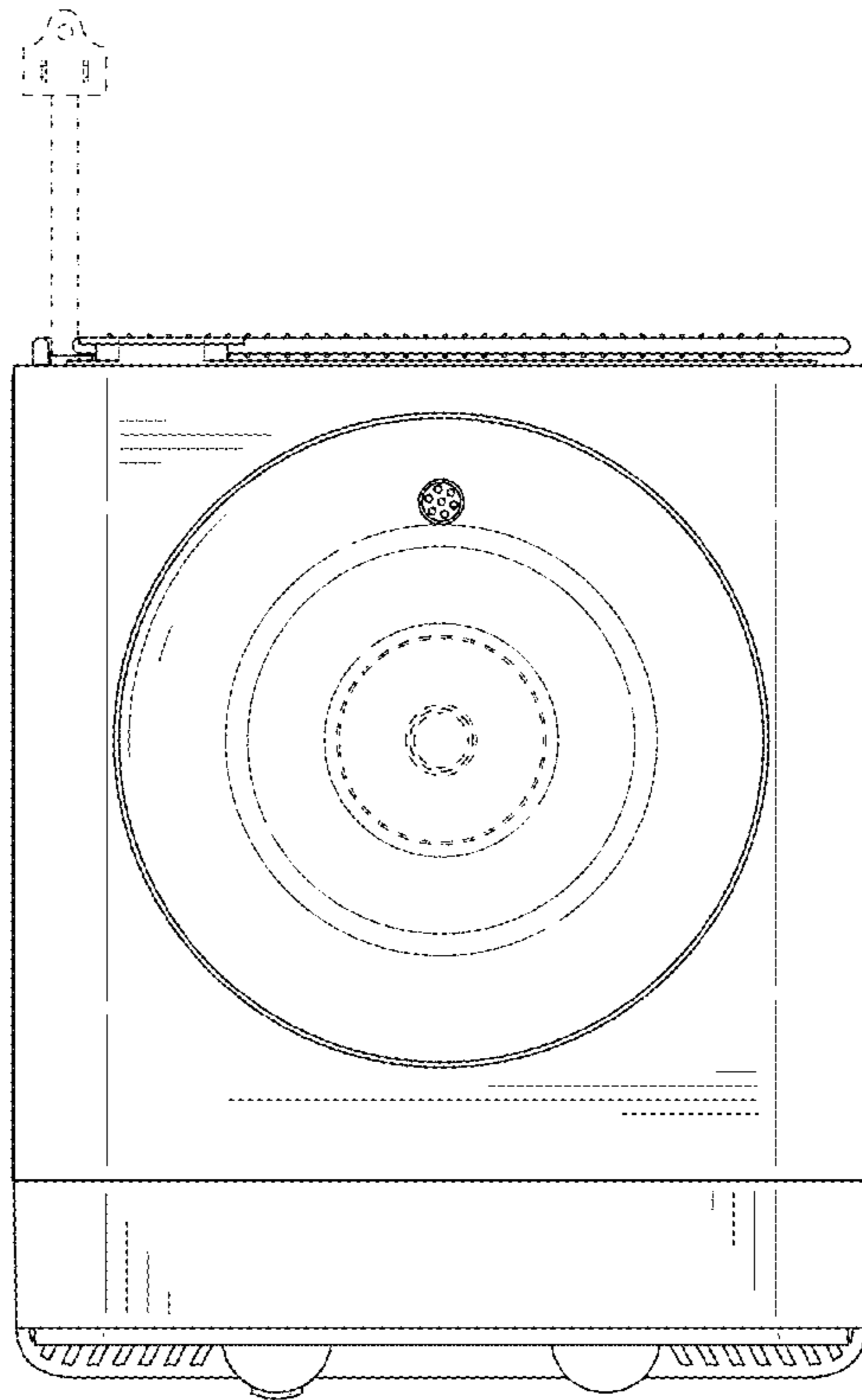


FIG. 7

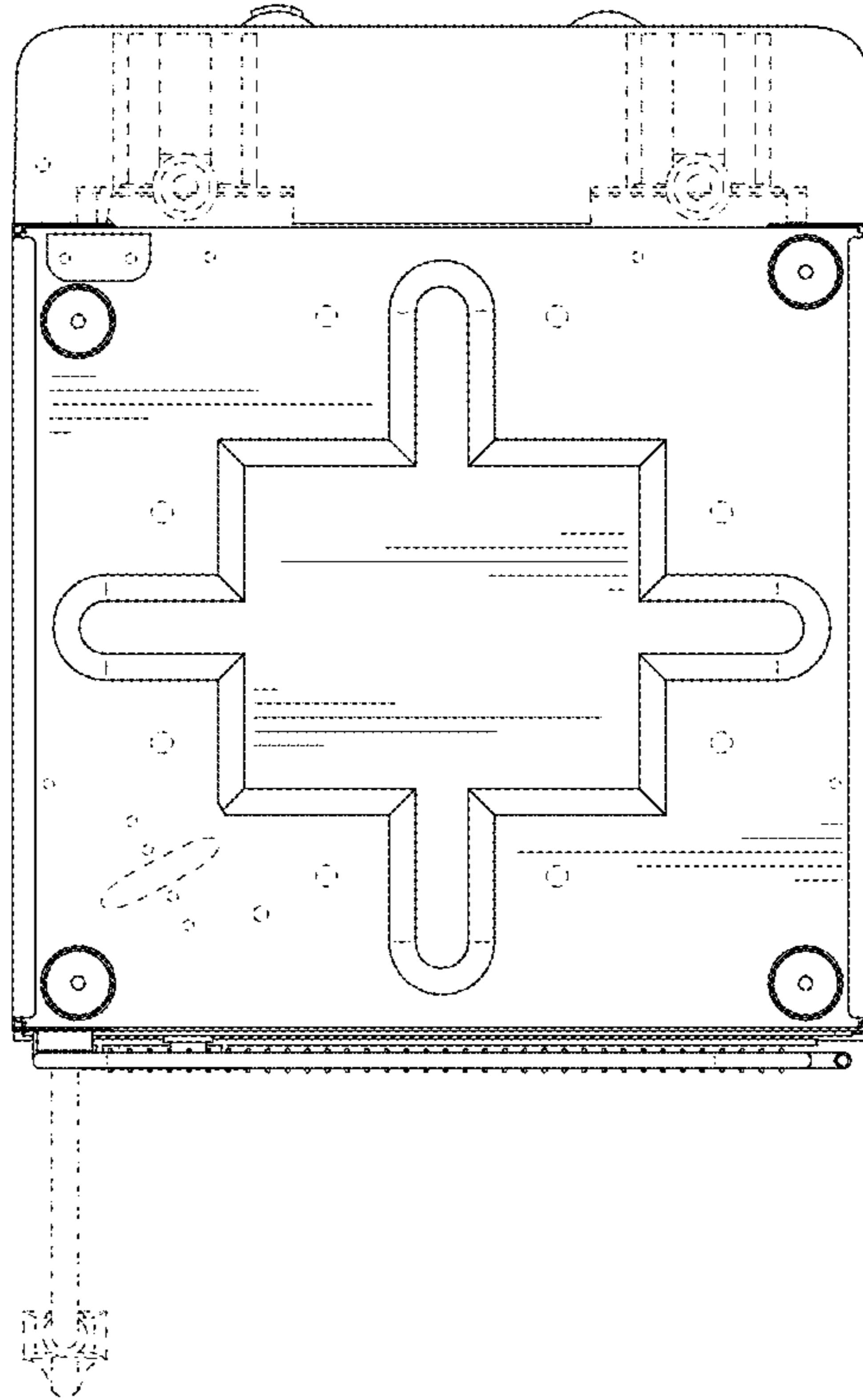


FIG. 8