



US00D948267S

(12) **United States Design Patent** (10) **Patent No.:** **US D948,267 S**
Jakobsen et al. (45) **Date of Patent:** **** Apr. 12, 2022**

(54) **DUAL TAP BEVERAGE DISPENSER**

(71) Applicant: **Grad ApS**, Copenhagen (DK)

(72) Inventors: **Kenneth Holek Jakobsen**, Solrød Strand (DK); **Ann-Marie Finn**, Copenhagen (DK); **Anders Bruus**, Copenhagen (DK); **Michael Skovbjerg**, Copenhagen (DK)

(73) Assignee: **Grad ApS**, Copenhagen (DK)

(**) Term: **15 Years**

(21) Appl. No.: **29/742,000**

(22) Filed: **Jul. 17, 2020**

(51) **LOC (13) Cl.** **31-00**

(52) **U.S. Cl.**
USPC **D7/307; D7/306**

(58) **Field of Classification Search**
USPC D7/300–322, 378, 397–400, 602, 603, D7/700; D9/417, 447, 524–526, 530,
(Continued)

(56) **References Cited**

U.S. PATENT DOCUMENTS

4,513,885 A * 4/1985 Hogan G01F 11/125
222/105
D282,617 S * 2/1986 Hogan D7/308
(Continued)

OTHER PUBLICATIONS

3 Bottles Liquor Chiller and Dispenser, first available Apr. 9, 2015, Amazon, [online], [site visited Sep. 15, 2021], Available from internet URL: <https://uedata.amazon.com/Icy-Shot-Bottles-Chiller-Dispenser/dp/B00VVZ9DMY> (Year: 2015).*

(Continued)

Primary Examiner — Mary Ann Calabrese
Assistant Examiner — Natalya M Rapundalo

(74) *Attorney, Agent, or Firm* — DiBerardino McGovern IP Group LLC

(57) **CLAIM**

The ornamental design for a dual tap beverage dispenser, as shown and described.

DESCRIPTION

FIG. 1 is a front view of a dual tap beverage dispenser, showing our new design.

FIG. 2 is a rear view of the dual tap beverage dispenser of FIG. 1.

FIG. 3 is a top view of the dual tap beverage dispenser of FIG. 1.

FIG. 4 is a bottom view of the dual tap beverage dispenser of FIG. 1.

FIG. 5 is a left side view of the dual tap beverage dispenser of FIG. 1.

FIG. 6 is a front left view of the dual tap beverage dispenser of FIG. 1.

FIG. 7 is a top left view of the dual tap beverage dispenser of FIG. 1.

FIG. 8 is a top left perspective view of the dual tap beverage dispenser of FIG. 1.

FIG. 9 is a rear left top perspective view of the dual tap beverage dispenser of FIG. 1.

FIG. 10 is a right side view of the dual tap beverage dispenser of FIG. 1.

FIG. 11 is a right front perspective view of the dual tap beverage dispenser of FIG. 1.

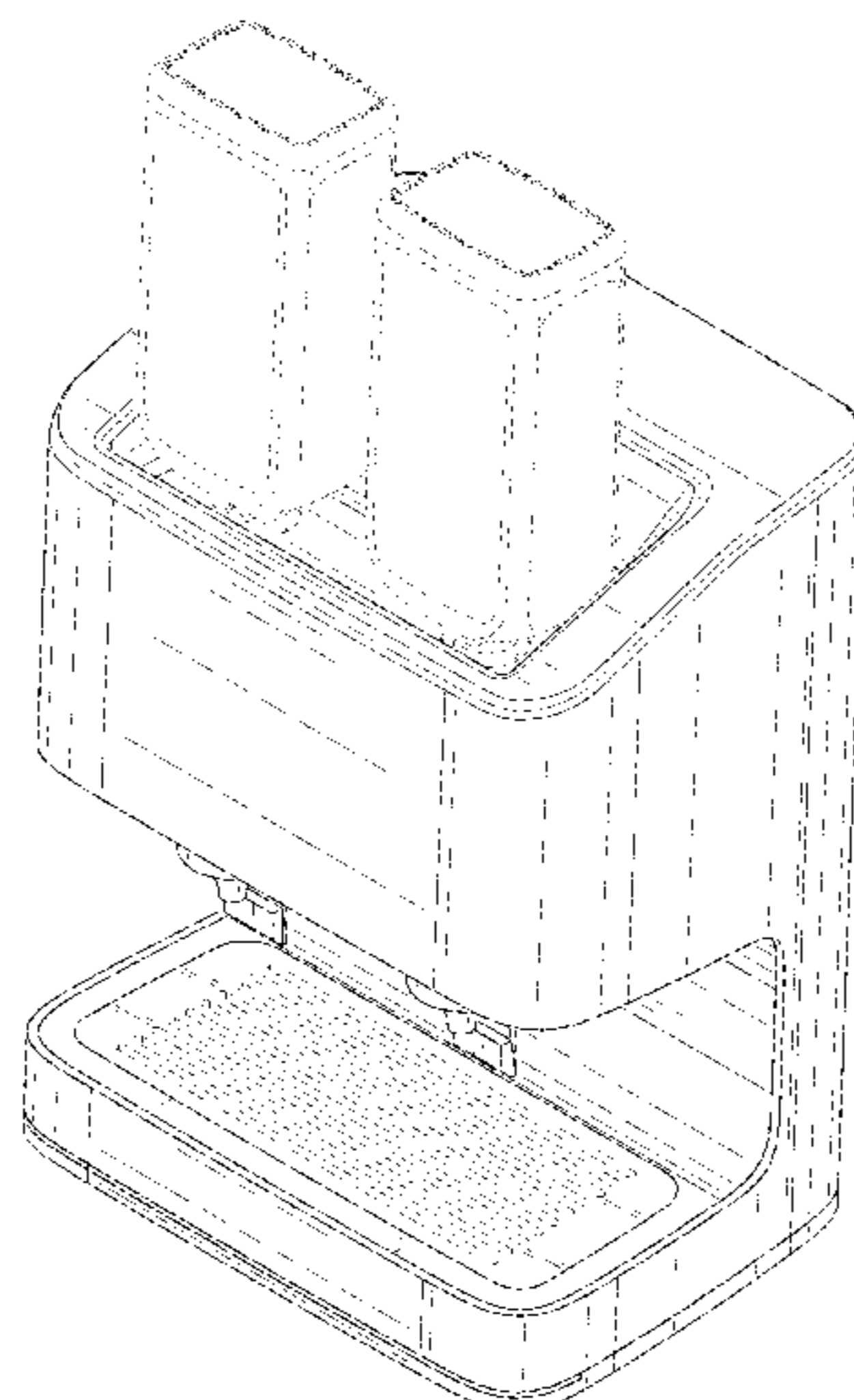
FIG. 12 is a top right view of the dual tap beverage dispenser of FIG. 1.

FIG. 13 front right top perspective view of the dual tap beverage dispenser of FIG. 1; and,

FIG. 14 a rear right top perspective view of the dual tap beverage dispenser of FIG. 1.

The beverage containers to be used in the dual tap beverage dispenser are shown in broken lines and form no part of the claimed design. The remaining broken lines in the Figures show portions of the dual tap beverage dispenser and form no part of the claimed design.

1 Claim, 14 Drawing Sheets



(58) **Field of Classification Search**

USPC D9/572, 575, 633; D15/81, 82; D20/1;
 D23/201, 205, 209; D24/216, 220, 224;
 D30/121, 132; D34/39; 99/275, 276
 CPC A23G 9/0452; A47J 31/00; A47J 31/007;
 A47J 31/057; A47J 31/10; A47J 31/3676;
 A47J 31/40; A47J 31/402; A47J 31/404;
 A47J 31/41; A47J 31/4482; A47J
 31/4489; A47J 43/042; A47J 43/27; A47J
 2043/04454; B67D 1/00; B67D 1/0004;
 B67D 1/0021; B67D 1/0078; B67D
 1/0462; B67D 1/0801; B67D 1/0872;
 B67D 1/1252; B67D 2001/0087; B67D
 2001/0098; B67D 2001/0822; B67D
 3/0032; B67D 3/0035; B67D 7/82; B67D
 7/84; C02F 1/002; C02F 1/003; C12C
 11/00; C12C 11/006; C12C 13/10

See application file for complete search history.

(56) **References Cited**

U.S. PATENT DOCUMENTS

D304,989 S * 12/1989 Fossella D7/308
 D337,019 S * 7/1993 Newnan D7/308

5,988,441 A * 11/1999 Weinaug B67D 1/00
 222/129.1
 D479,086 S * 9/2003 Rivard D7/306
 D576,440 S * 9/2008 Ghassemian D7/306
 D685,399 S * 7/2013 Pelayo D15/82
 D751,849 S * 3/2016 Dunham D7/307
 D757,478 S * 5/2016 Bandixen D7/306
 D813,586 S * 3/2018 Fuller G01F 11/125
 D7/306
 D850,839 S * 6/2019 Hardy D7/307
 D853,772 S * 7/2019 Park B67D 1/00
 D7/307

OTHER PUBLICATIONS

Elkay DSFB1UVK Blupura Fontemagna Bridge Countertop Water
 Dispenser, Restaurant Supply, [online], [site visited Sep. 15, 2021],
 Available from internet URL: [https://www.restaurantupply.com/
 elkay-dsfb1uvk-blupura-fontemagna-bridge-countertop-water-
 dispenser](https://www.restaurantupply.com/elkay-dsfb1uvk-blupura-fontemagna-bridge-countertop-water-dispenser) (Year: 2021).*

* cited by examiner

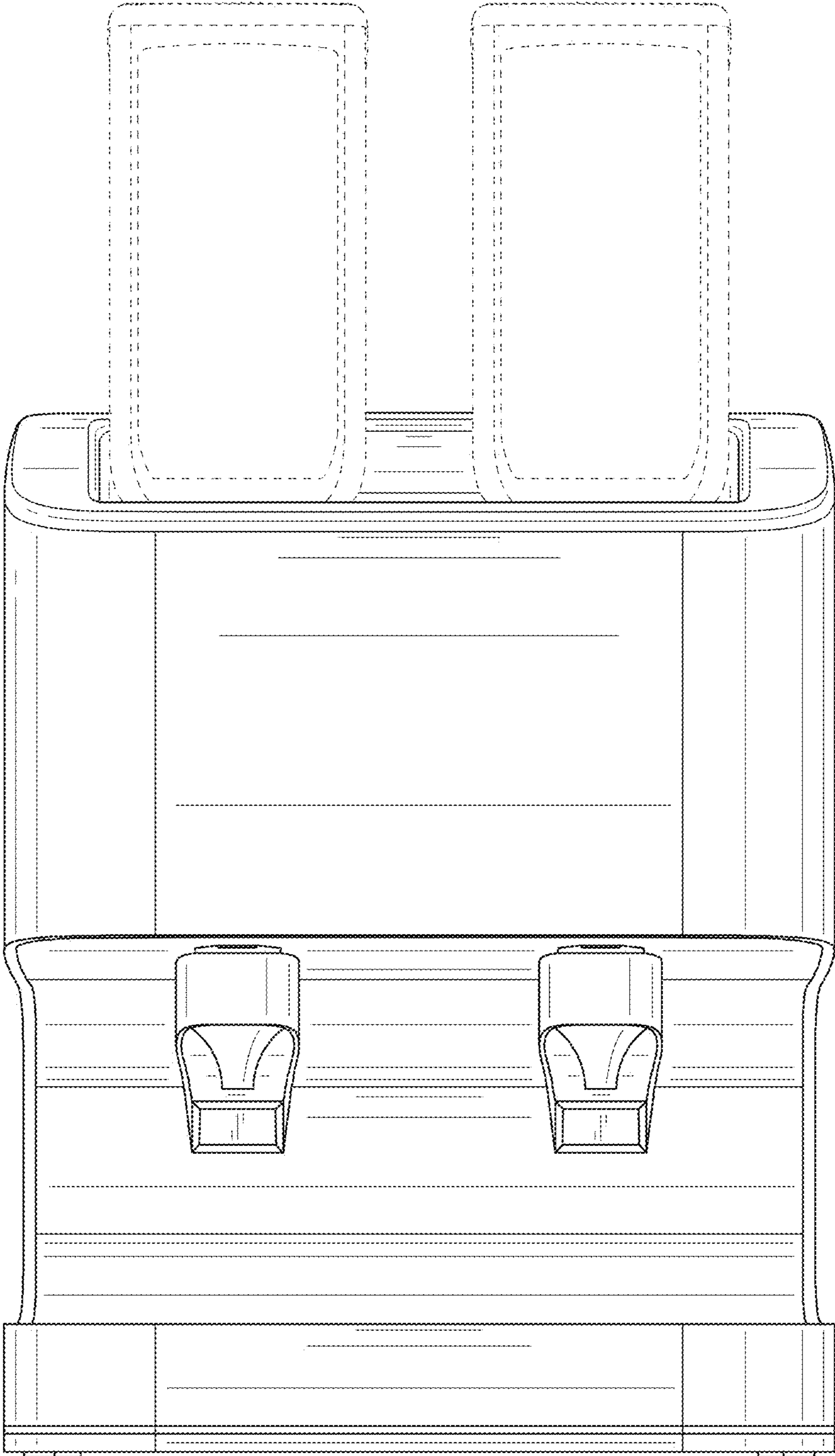


FIG. 1

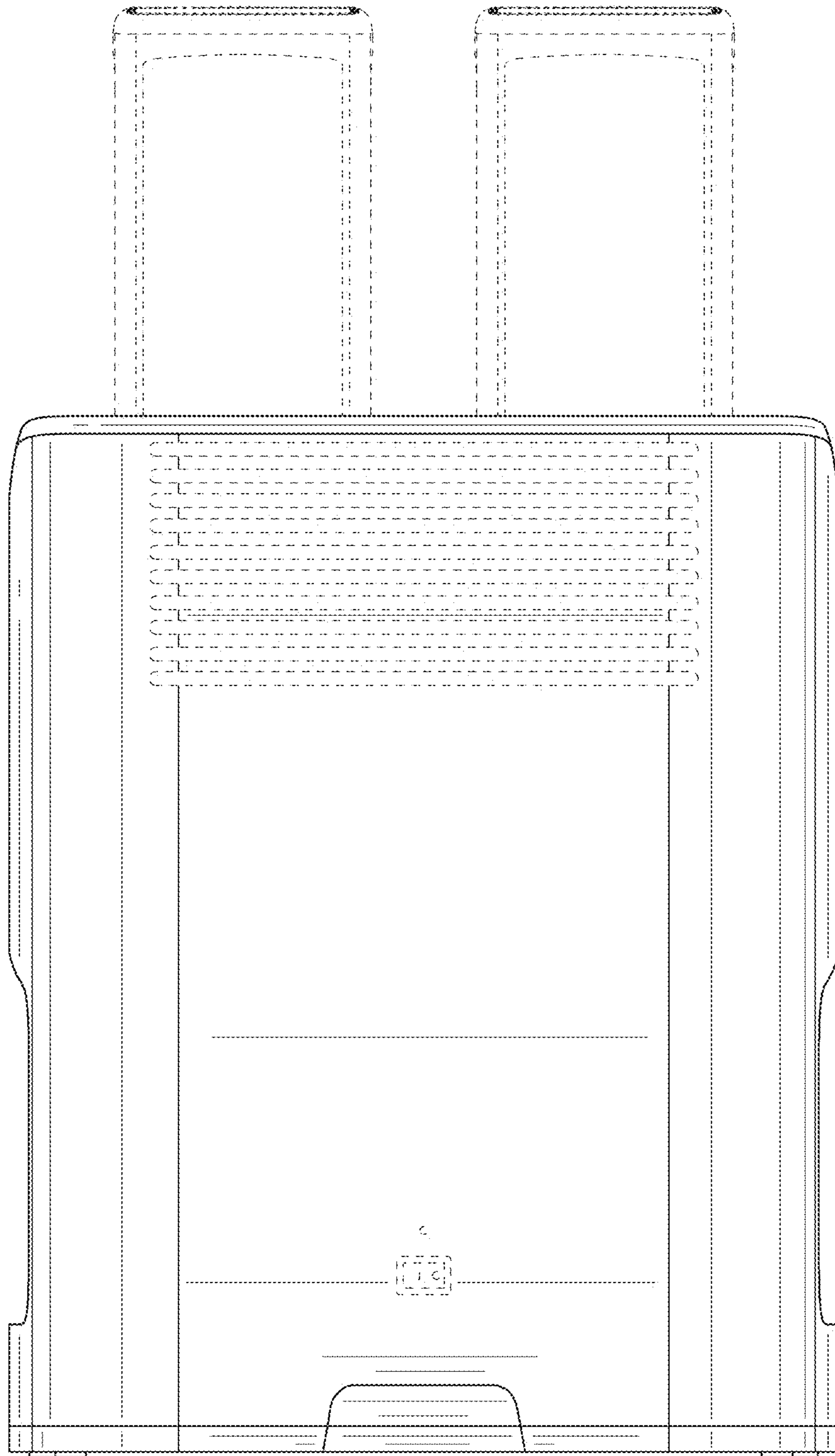


FIG. 2

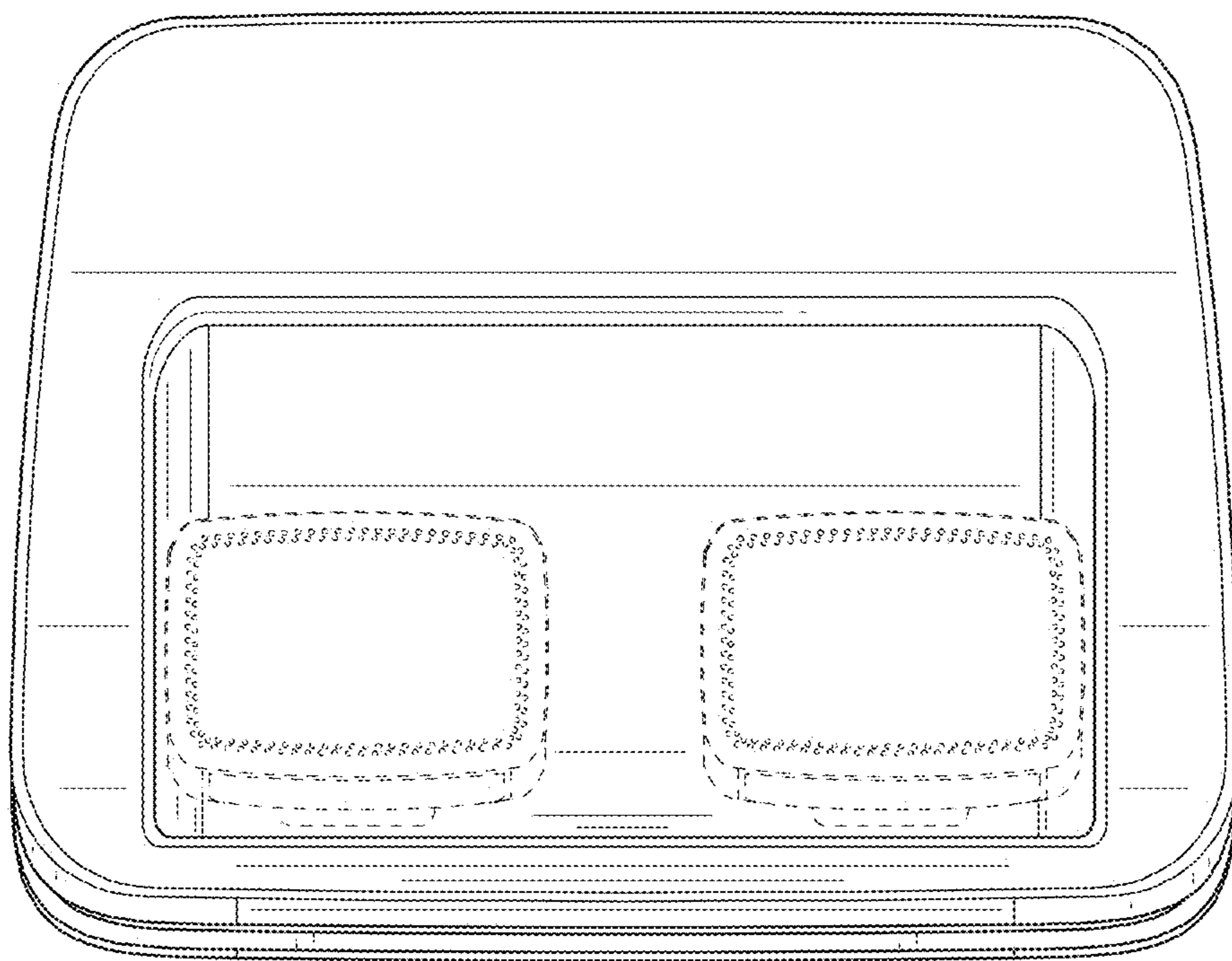


FIG. 3

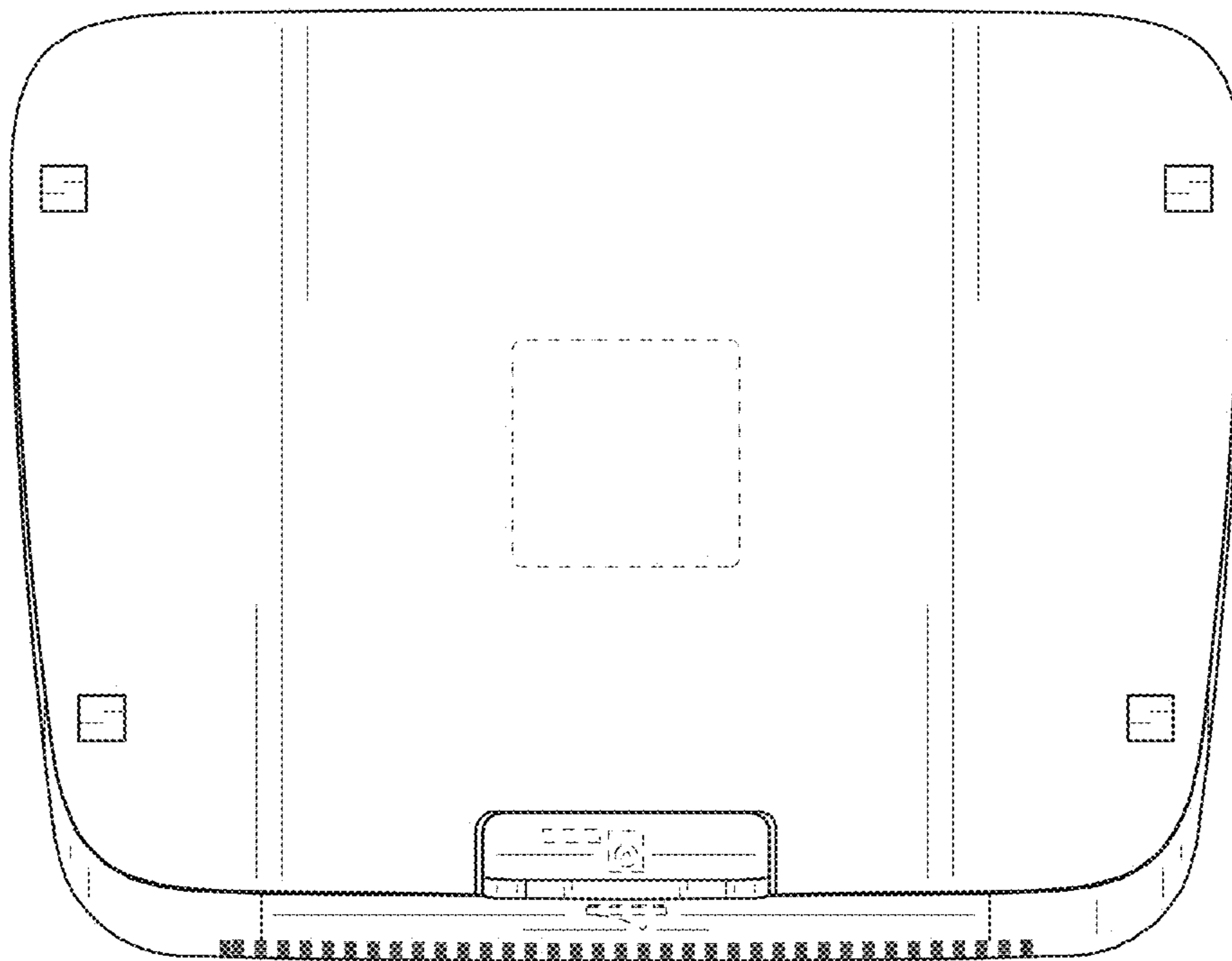


FIG. 4

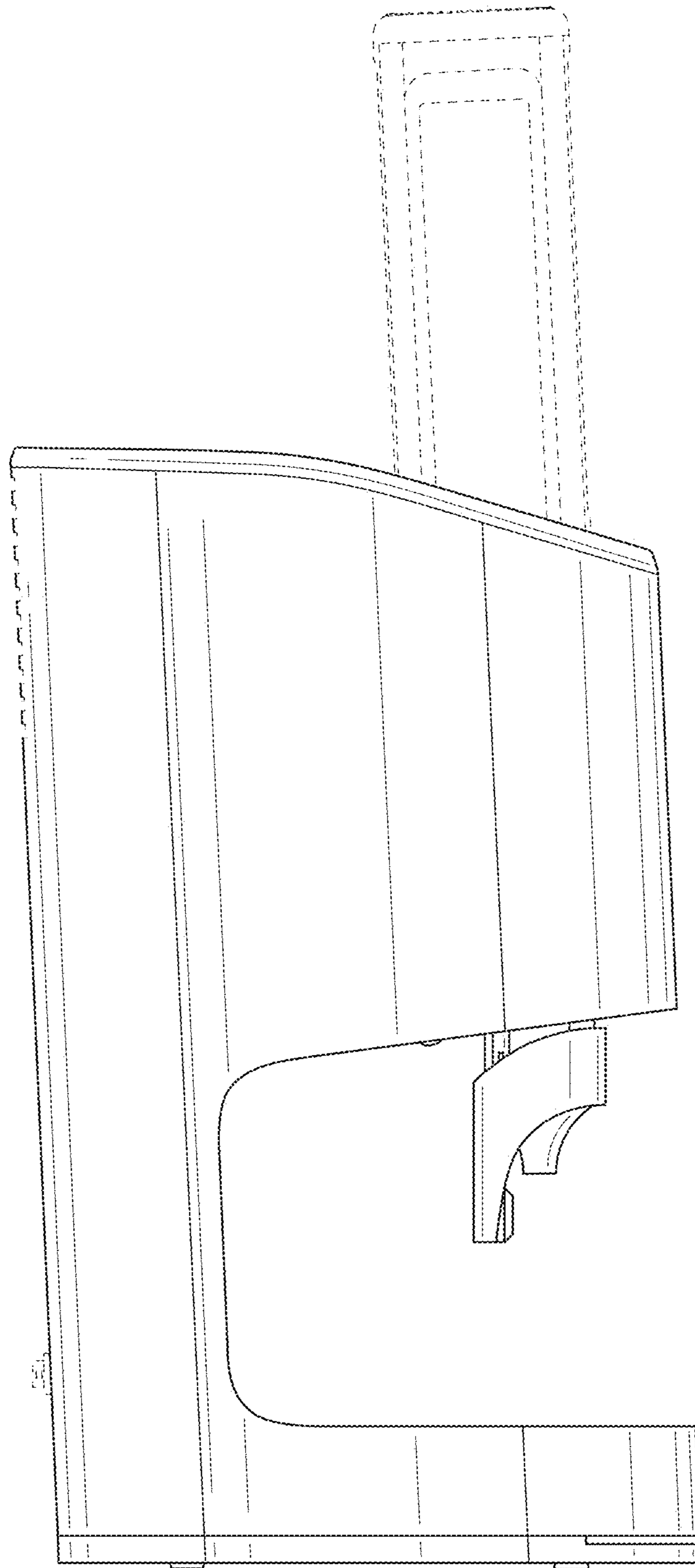


FIG. 5

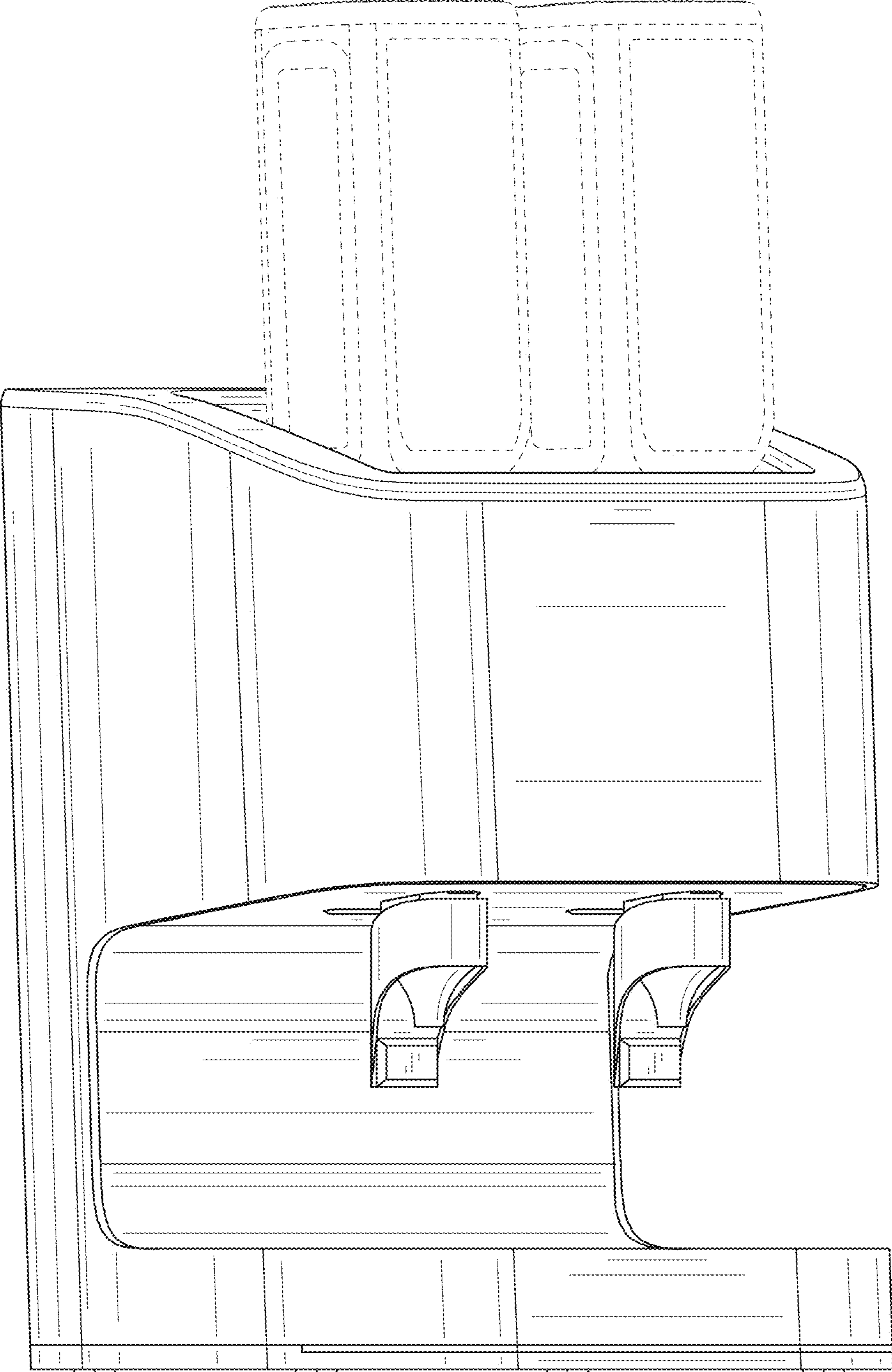


FIG. 6

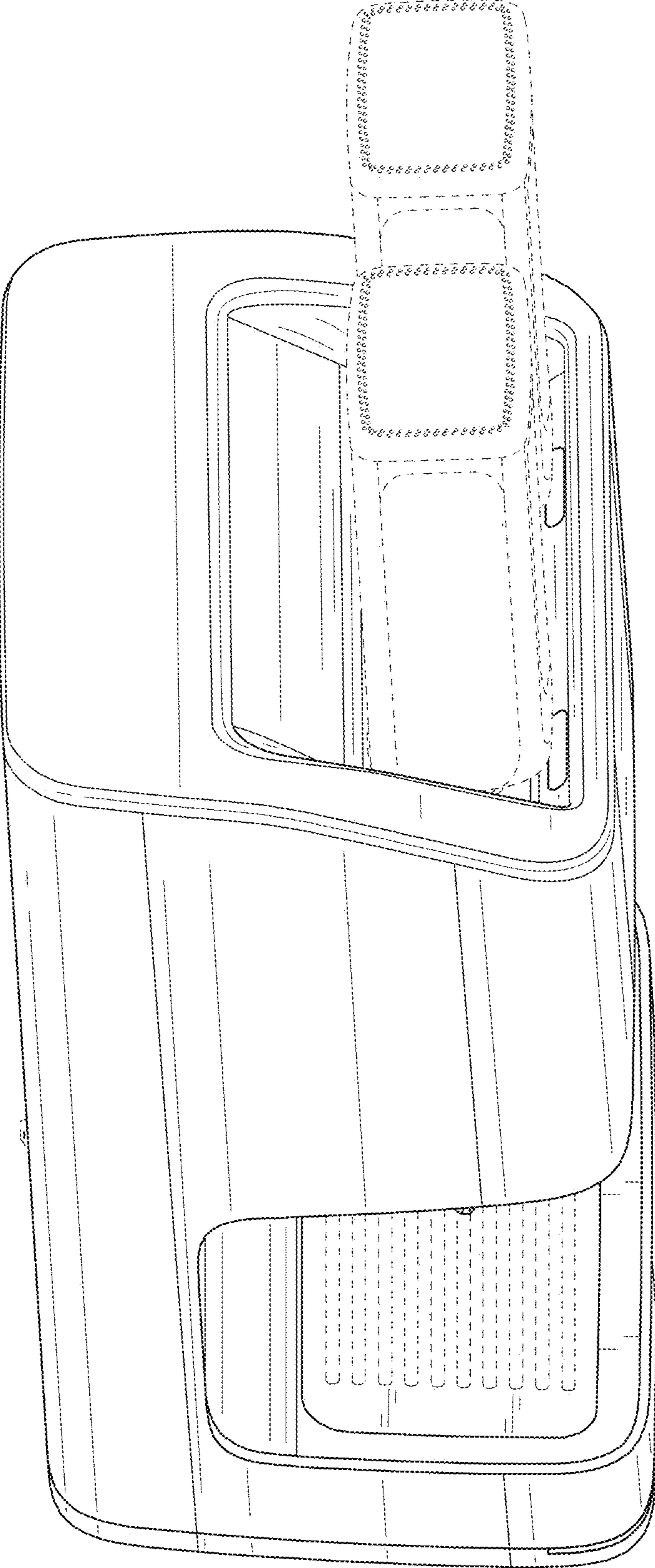


FIG. 7

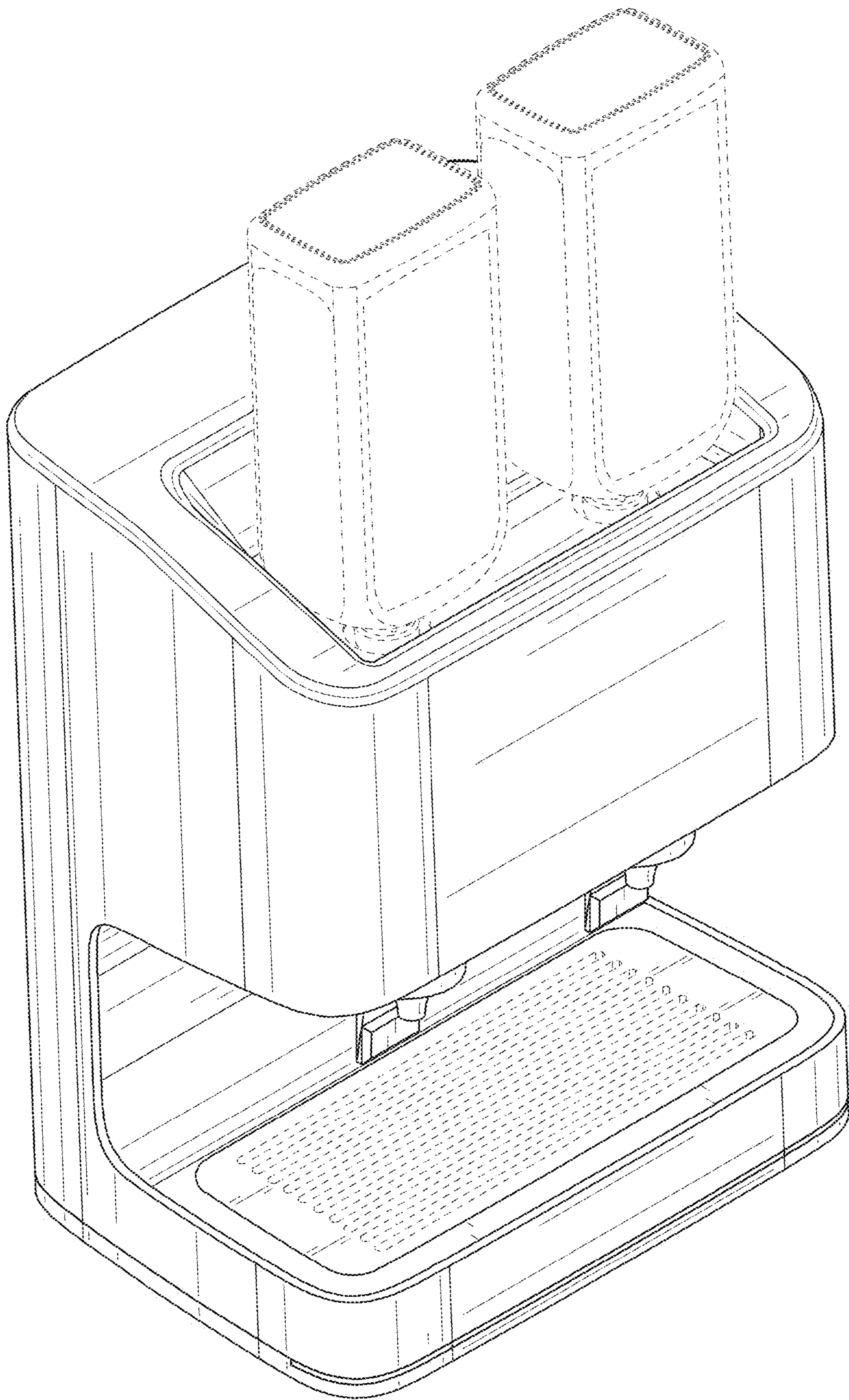


FIG. 8

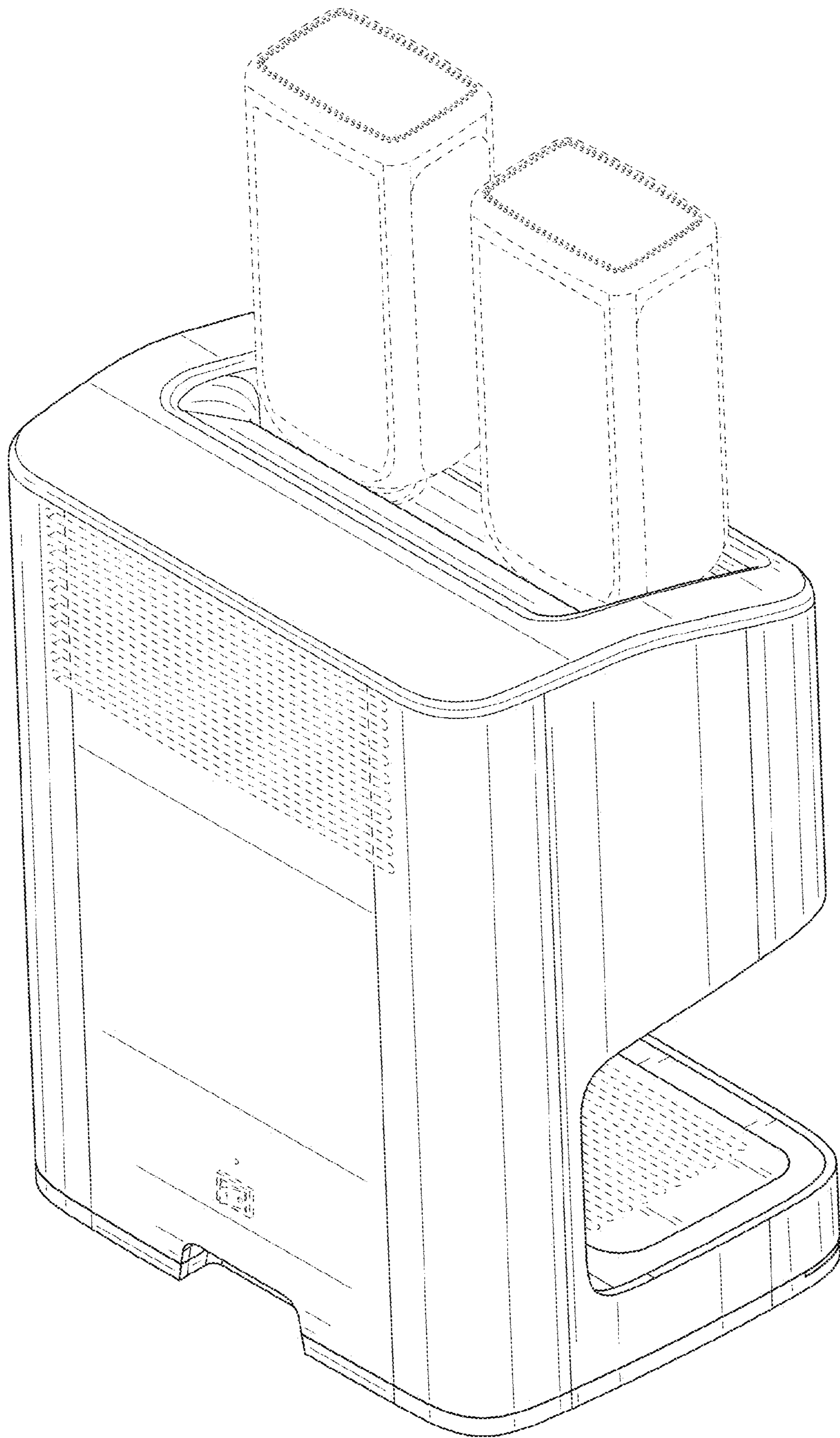


FIG. 9

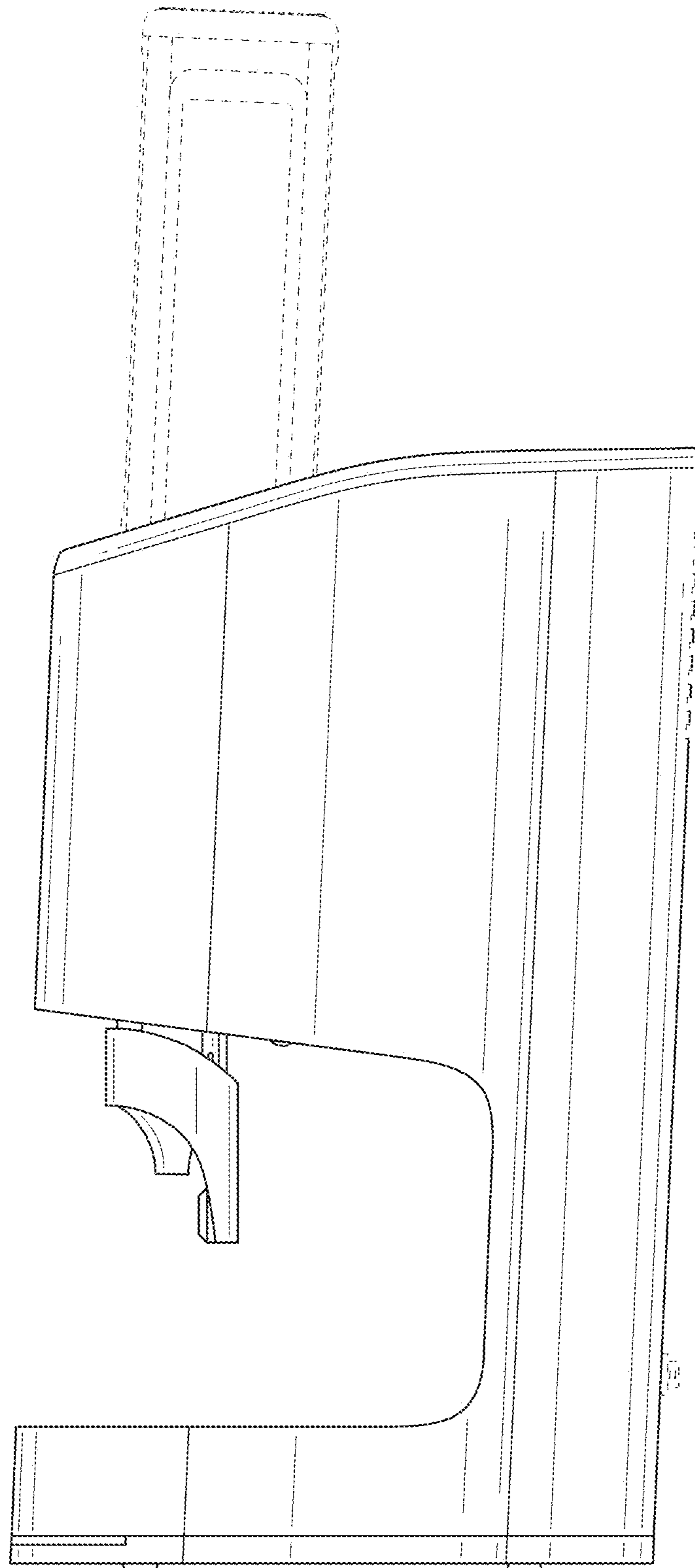


FIG. 10

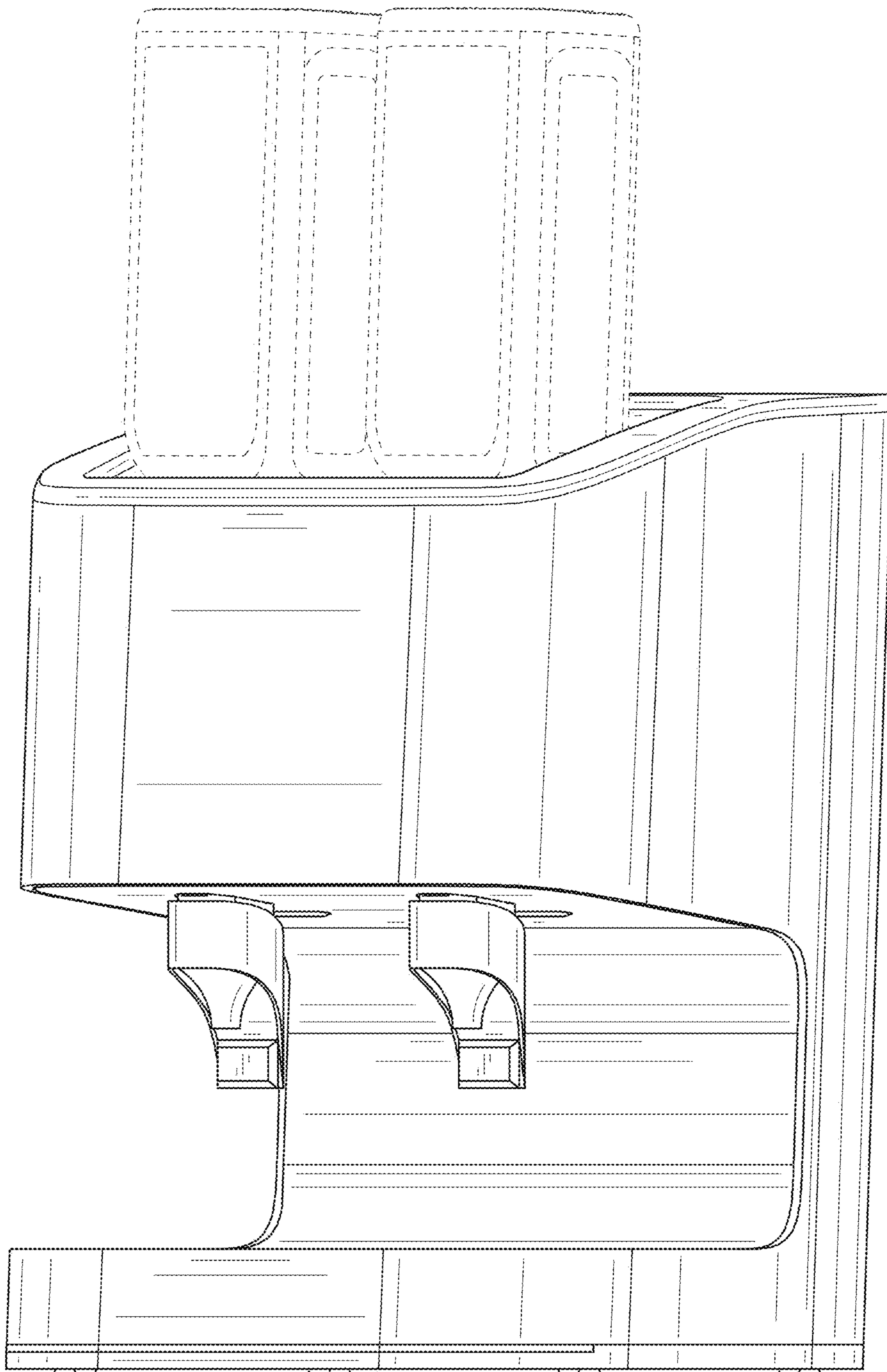


FIG. 11

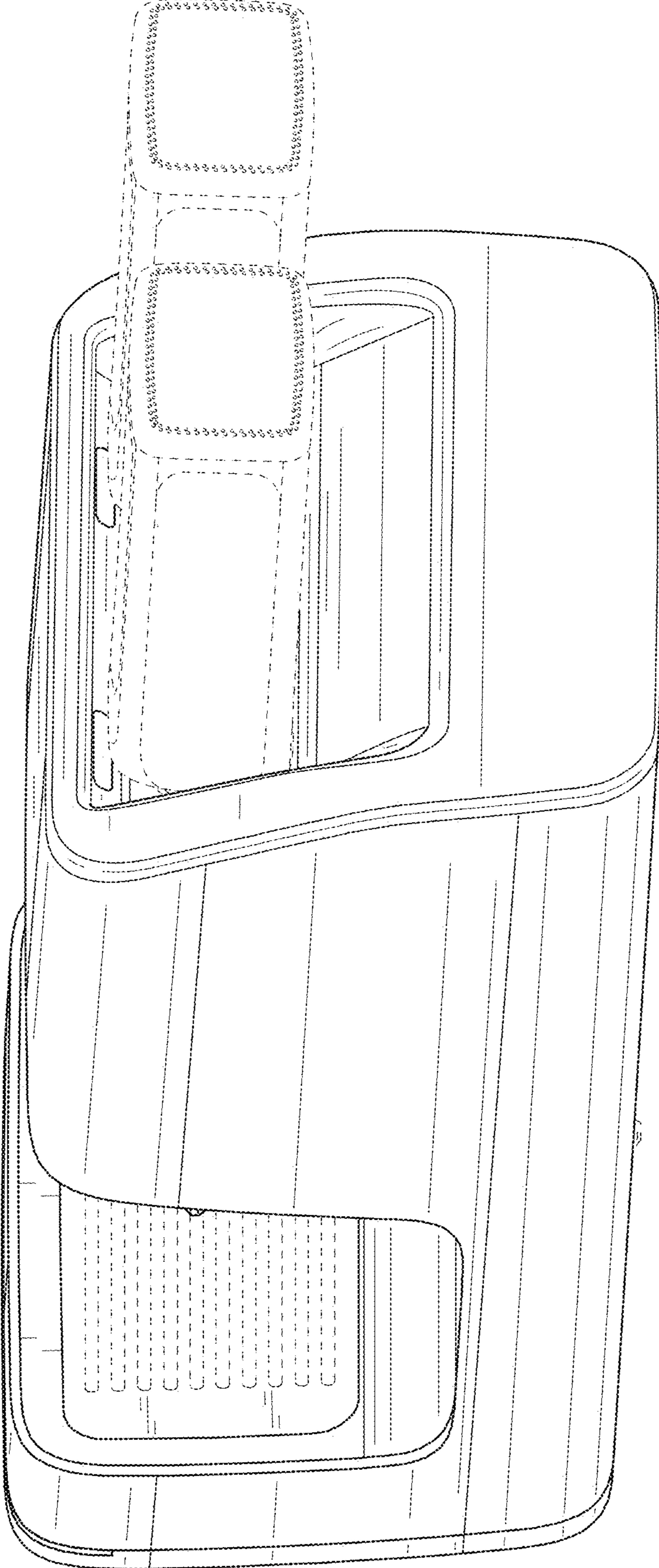


FIG. 12

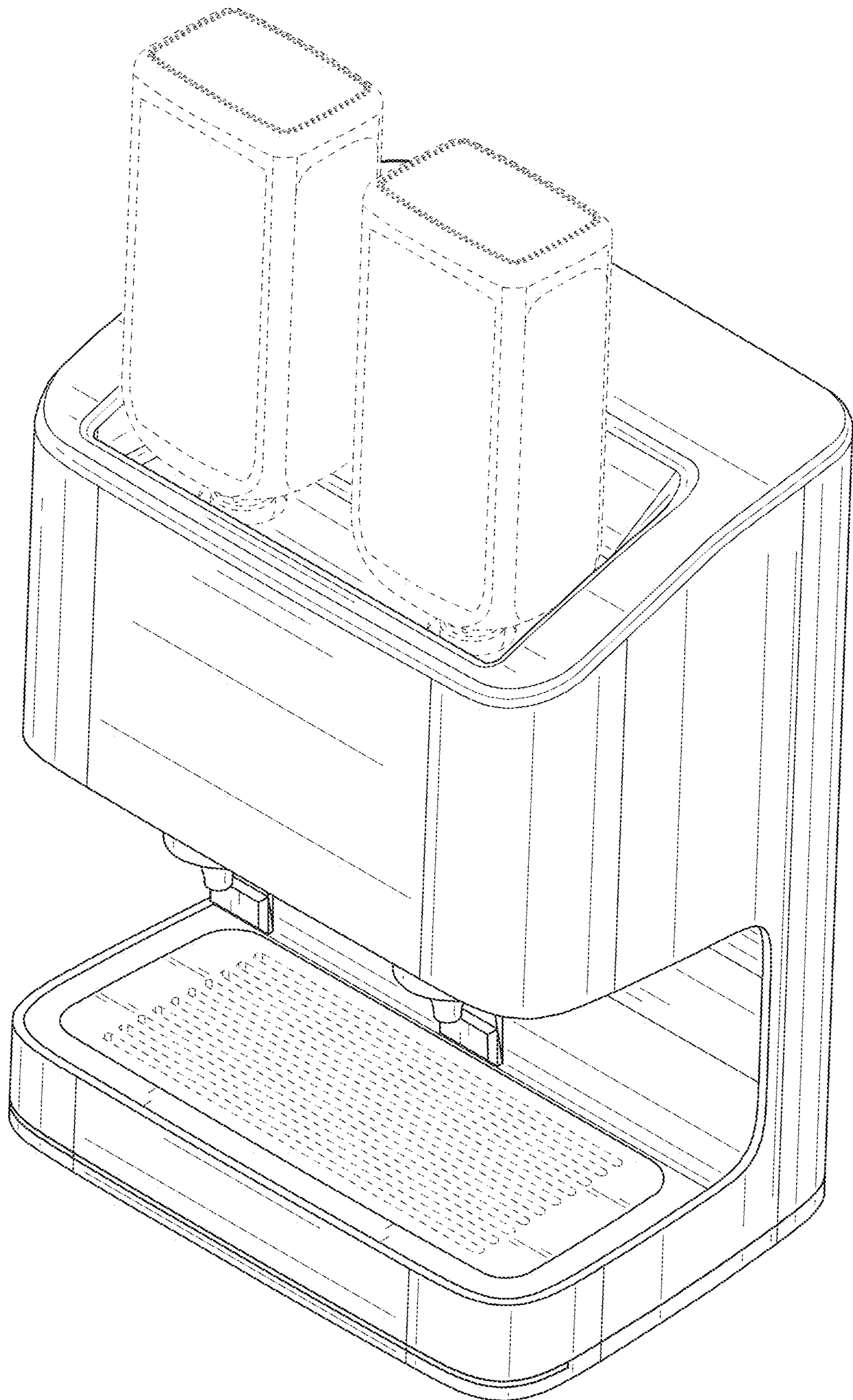


FIG. 13

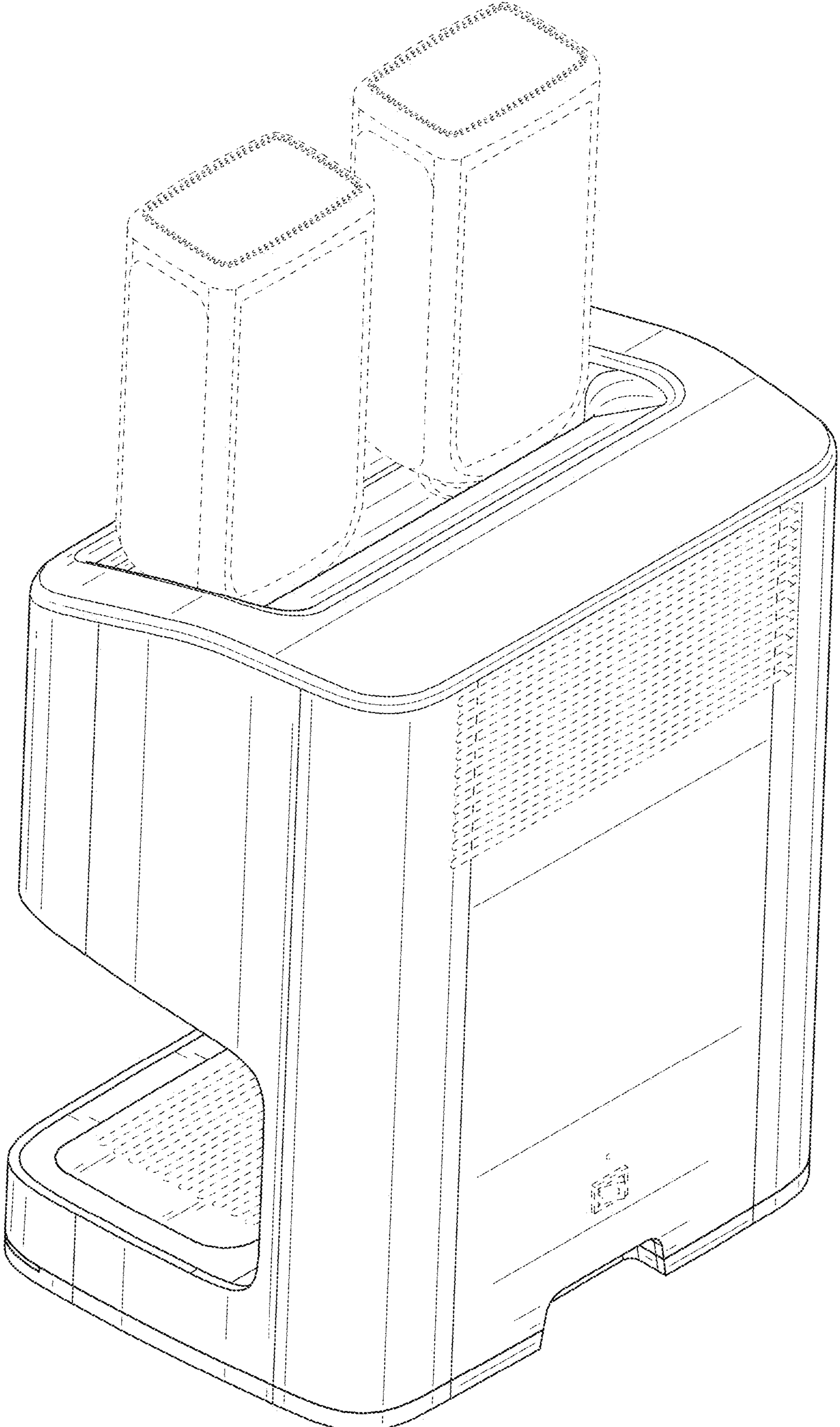


FIG. 14