



US00D948261S

(12) **United States Design Patent** (10) **Patent No.:** **US D948,261 S**
Jakobsen et al. (45) **Date of Patent:** **** Apr. 12, 2022**

(54) **BEVERAGE DISPENSER**

(71) Applicant: **Grad ApS**, Copenhagen (DK)

(72) Inventors: **Kenneth Holek Jakobsen**, Solrød Strand (DK); **Ann-Marie Finn**, Copenhagen (DK); **Anders Bruus**, Copenhagen (DK); **Michael Skovbjerg**, Copenhagen (DK)

(73) Assignee: **Grad ApS**, Copenhagen (DK)

(**) Term: **15 Years**

(21) Appl. No.: **29/743,001**

(22) Filed: **Jul. 17, 2020**

(51) **LOC (13) Cl.** **31-00**

(52) **U.S. Cl.**
USPC **D7/306**

(58) **Field of Classification Search**
USPC D7/300–322, 378, 397–400, 602, 603, D7/700; D9/417, 447, 524–526, 530,
(Continued)

(56) **References Cited**

U.S. PATENT DOCUMENTS

4,765,152 A * 8/1988 Armstrong B67D 1/0861
222/146.6
D365,962 S * 1/1996 Amundsen D7/306
(Continued)

OTHER PUBLICATIONS

Vinotemp Liquor Chiller and Dispenser, first available Aug. 15, 2008, Amazon, [online], [site visited Sep. 15, 2021], Available from internet URL: <https://www.amazon.com/dp/B003WVRKF2> (Year: 2008).*

(Continued)

Primary Examiner — Mary Ann Calabrese

Assistant Examiner — Natalya M Rapundalo

(74) *Attorney, Agent, or Firm* — DiBerardino McGovern IP Group LLC

(57) **CLAIM**

The ornamental design for a beverage dispenser, as shown and described.

DESCRIPTION

FIG. 1 is a front view of a beverage dispenser, showing our new design.

FIG. 2 is a rear view of the beverage dispenser of FIG. 1.

FIG. 3 is a top view of the beverage dispenser of FIG. 1.

FIG. 4 is a bottom view of the beverage dispenser of FIG. 1.

FIG. 5 is a left side view of the beverage dispenser of FIG. 1.

FIG. 6 is a front left view of the beverage dispenser of FIG. 1.

FIG. 7 is a top left view of the beverage dispenser of FIG. 1.

FIG. 8 is a top left perspective view of the beverage dispenser of FIG. 1.

FIG. 9 is a rear left top perspective view of the beverage dispenser of FIG. 1.

FIG. 10 is a right side view of the beverage dispenser of FIG. 1.

FIG. 11 is a right front perspective view of the beverage dispenser of FIG. 1.

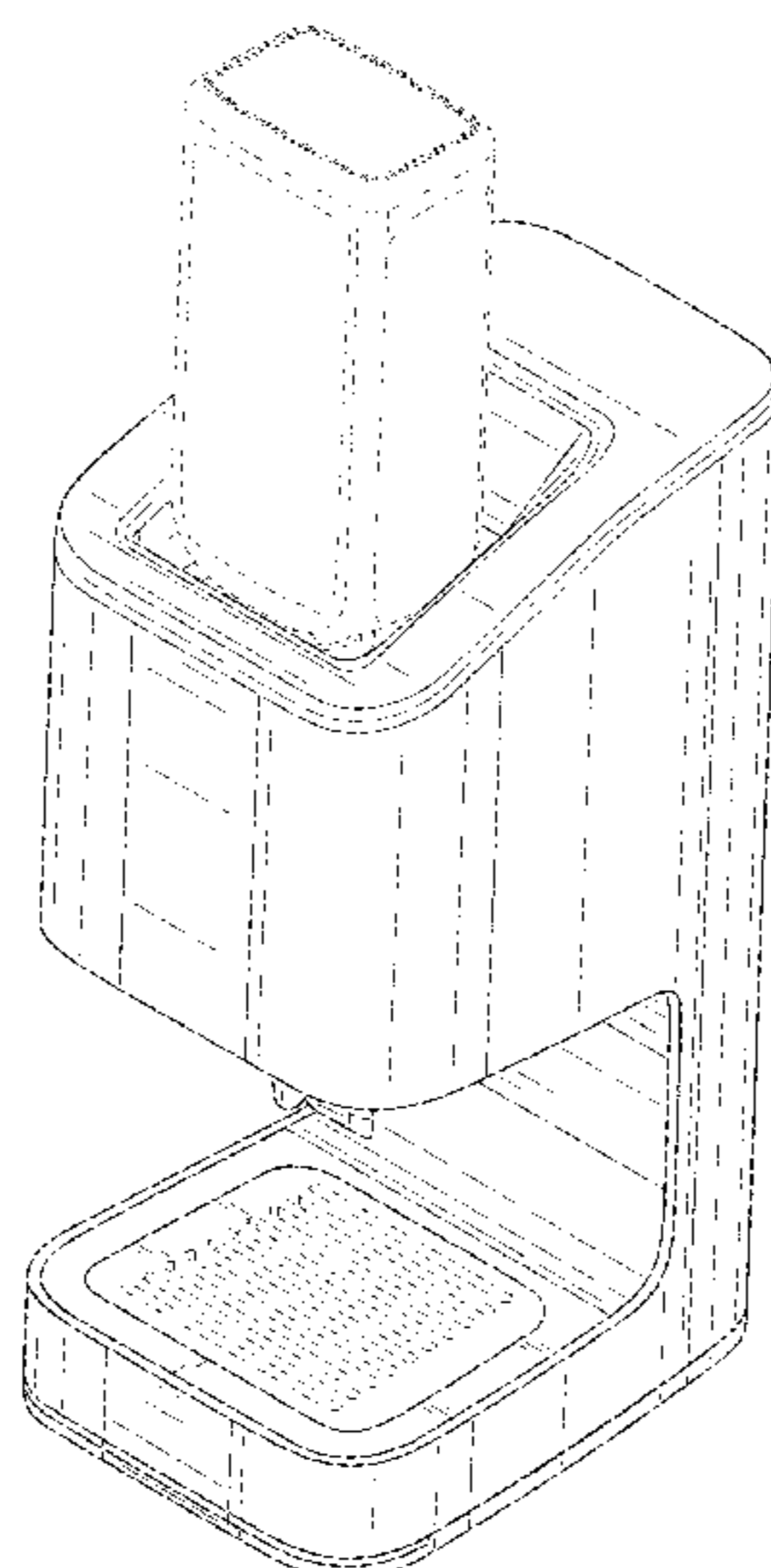
FIG. 12 is a top right view of the beverage dispenser of FIG. 1.

FIG. 13 front right top perspective view of the beverage dispenser of FIG. 1; and,

FIG. 14 a rear right top perspective view of the beverage dispenser of FIG. 1.

The beverage containers to be used in the beverage dispenser are shown in broken lines and form no part of the claimed design. The remaining broken lines in the Figures show portions of the beverage dispenser and form no part of the claimed design.

1 Claim, 14 Drawing Sheets



(58) **Field of Classification Search**

USPC D9/572, 575, 633; D15/81, 82; D20/1;
 D23/201, 205, 209; D24/216, 220, 224;
 D30/121, 132; D34/39; 99/275, 276
 CPC A23G 9/0452; A47J 31/00; A47J 31/007;
 A47J 31/057; A47J 31/10; A47J 31/3676;
 A47J 31/40; A47J 31/402; A47J 31/404;
 A47J 31/41; A47J 31/4482; A47J
 31/4489; A47J 43/042; A47J 43/27; A47J
 2043/04454; B67D 1/00; B67D 1/0004;
 B67D 1/0021; B67D 1/0078; B67D
 1/0462; B67D 1/0801; B67D 1/0872;
 B67D 1/1252; B67D 2001/0087; B67D
 2001/0098; B67D 2001/0822; B67D
 3/0032; B67D 3/0035; C02F 1/002; C02F
 1/003; C12C 11/00; C12C 11/006; C12C
 13/10

See application file for complete search history.

(56) **References Cited**

U.S. PATENT DOCUMENTS

D555,968 S * 11/2007 Pfeifer D7/306
 D558,504 S * 1/2008 Ben-Shlomo D7/306

D671,568 S * 11/2012 Pelayo D15/82
 D692,713 S * 11/2013 Diehl D7/309
 D716,093 S * 10/2014 Jakeman D7/306
 D720,567 S * 1/2015 Cauwood D7/306
 D727,673 S * 4/2015 Broen B67D 1/0861
 D755,556 S * 5/2016 Bandixen G01F 15/18
 D813,586 S * 3/2018 Fuller A47J 31/404
 2009/0266847 A1* 10/2009 Binder G01F 15/18
 2016/0095462 A1* 4/2016 Bikerman A47J 31/404
 99/280

OTHER PUBLICATIONS

Elkay DSFB1UVK Blupura Fontemagna Bridge Countertop Water
 Dispenser, Restaurant Supply, [online], [site visited Sep. 15, 2021],
 Available from internet URL: [https://www.restaurantsupply.com/
 elkay-dsfb1uvk-blupura-fontemagna-bridge-countertop-water-
 dispenser](https://www.restaurantsupply.com/elkay-dsfb1uvk-blupura-fontemagna-bridge-countertop-water-dispenser) (Year: 2021).*

* cited by examiner

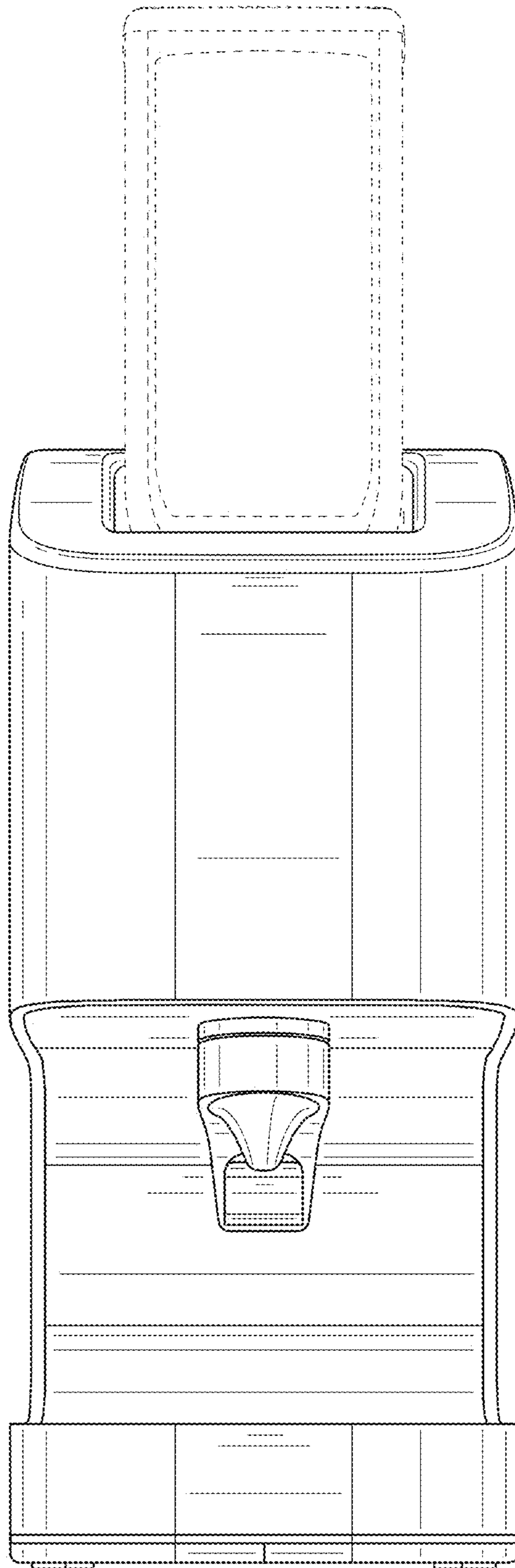


FIG. 1

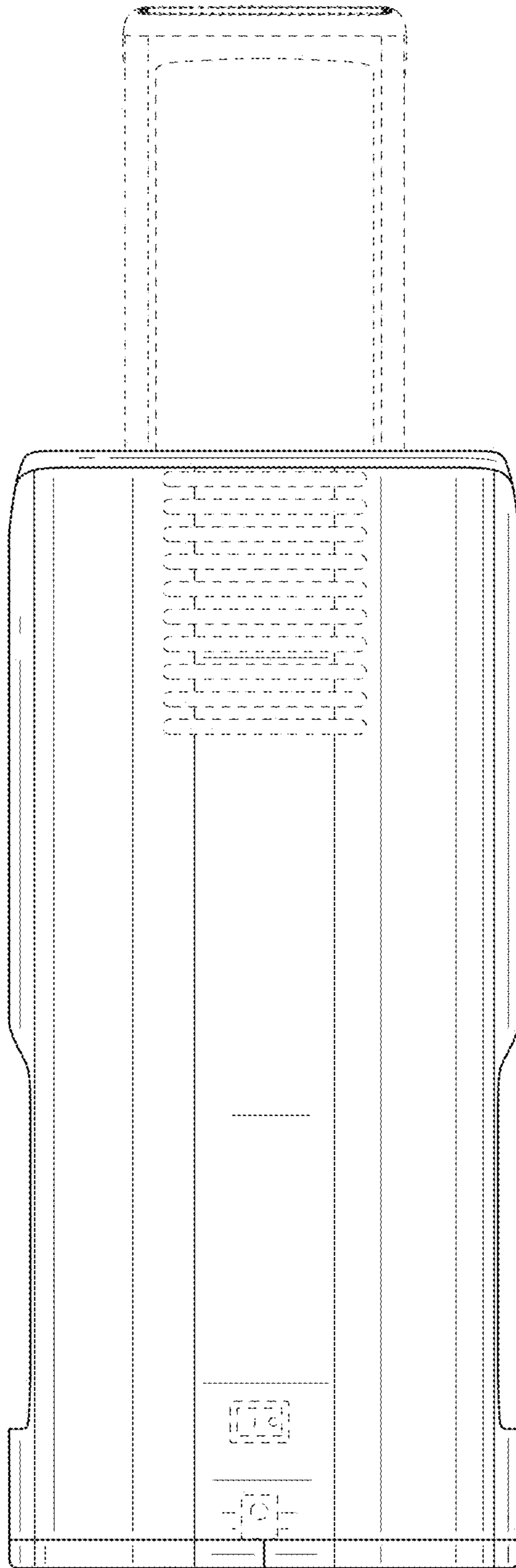


FIG. 2

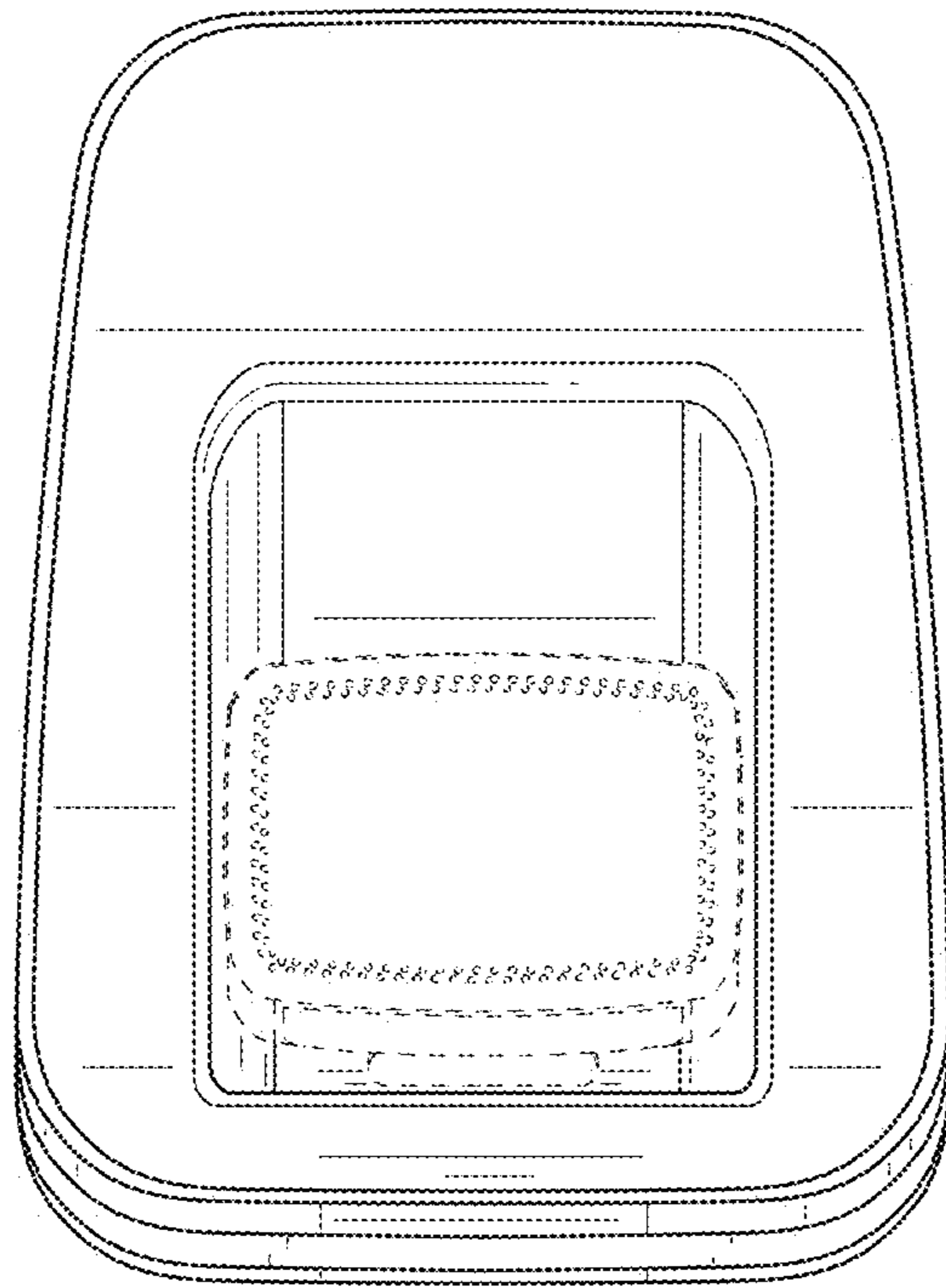


FIG. 3

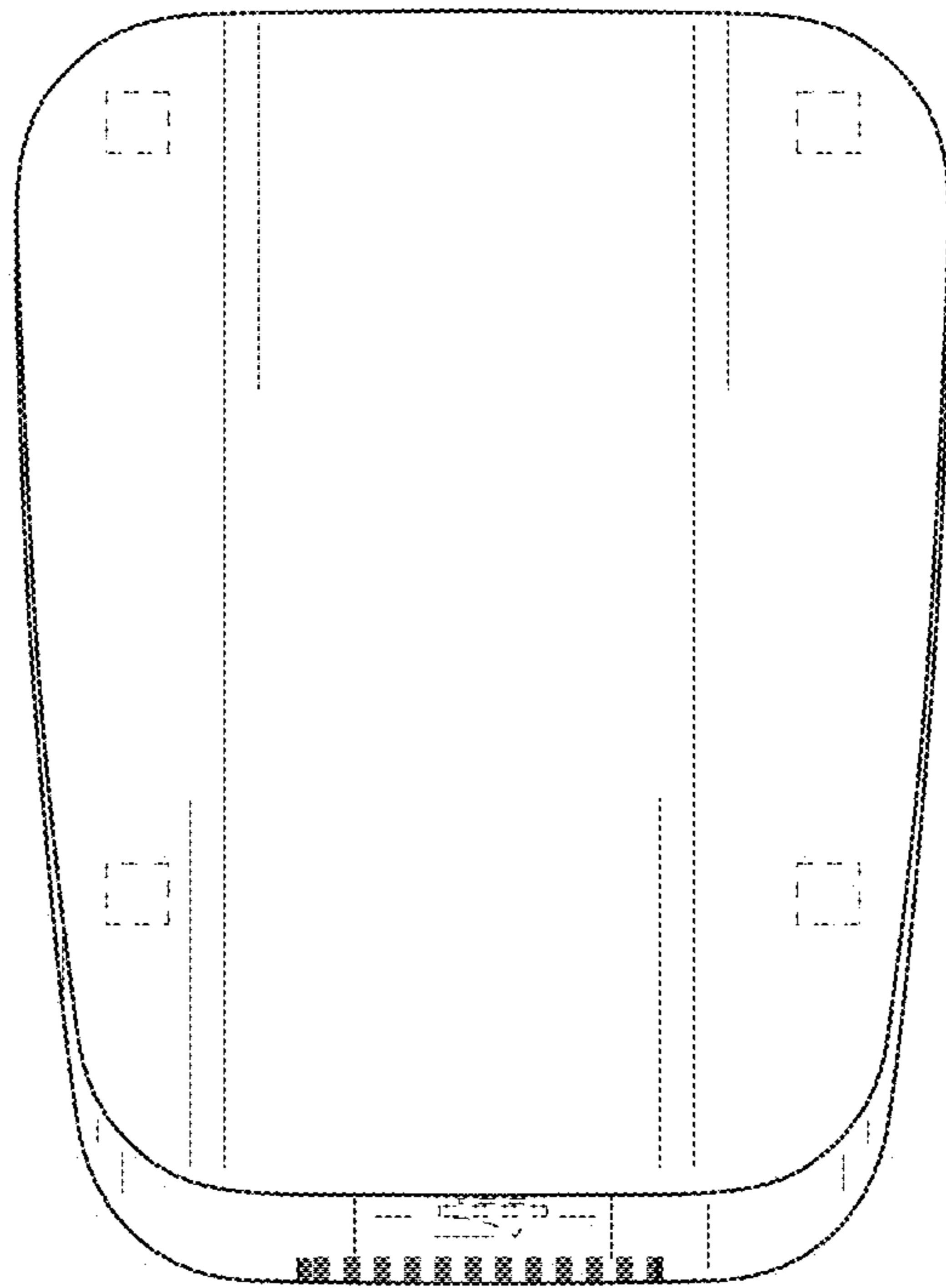


FIG. 4

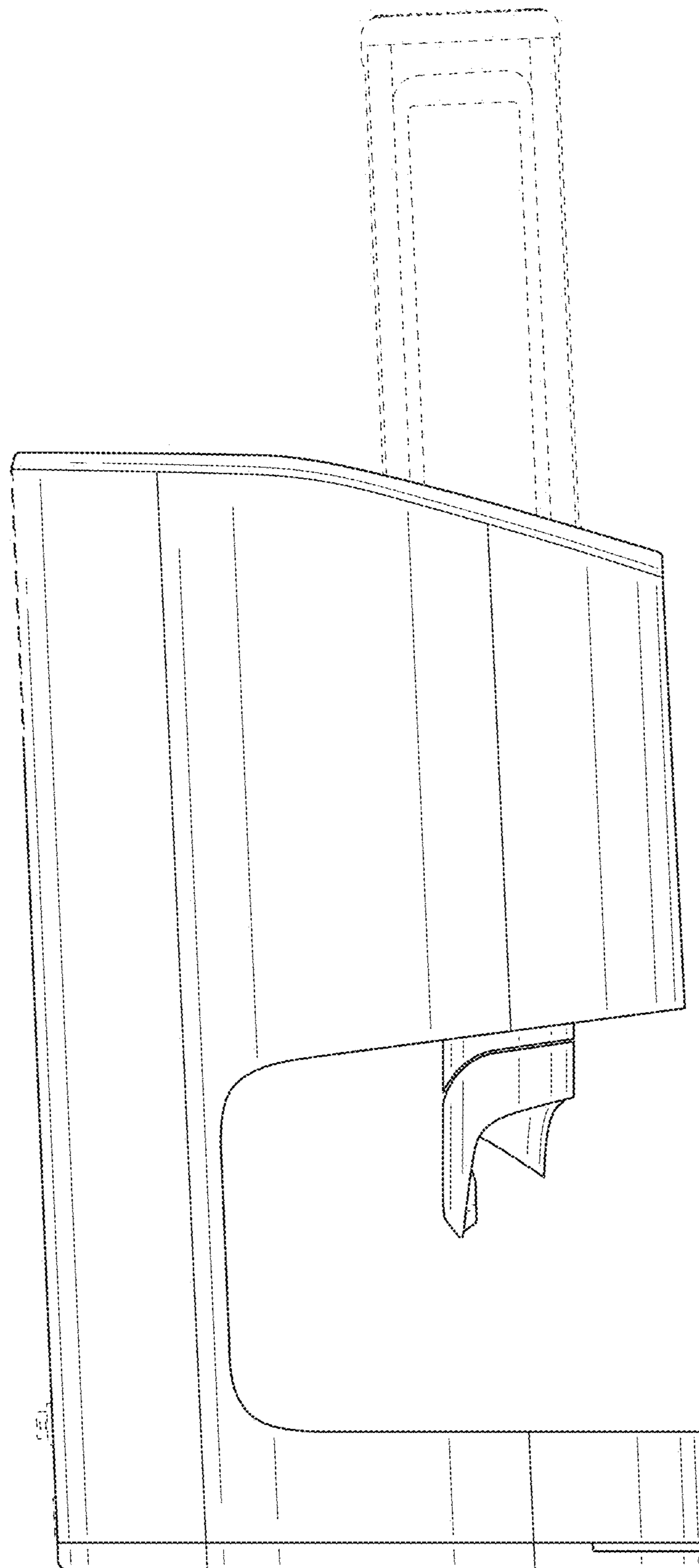


FIG. 5

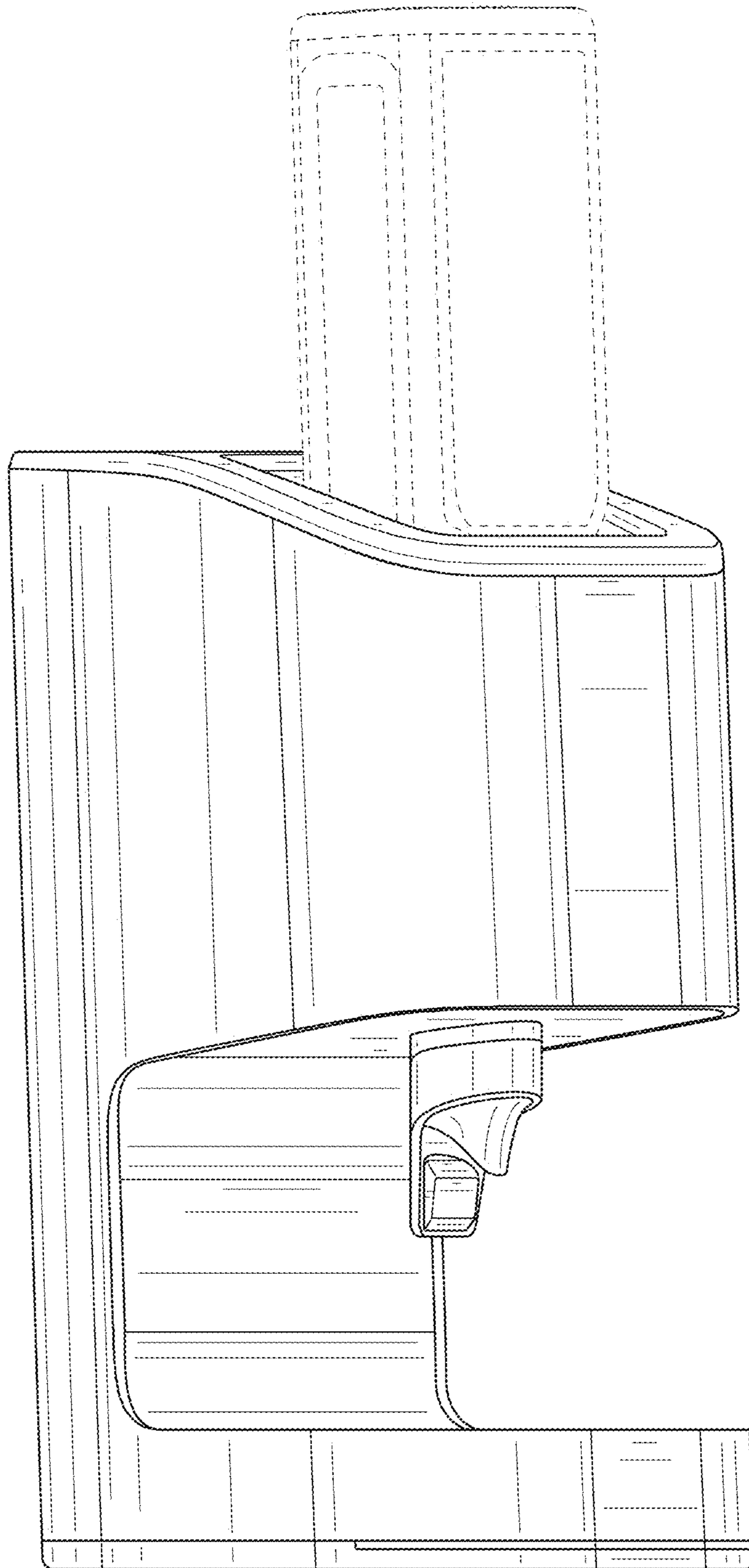


FIG. 6

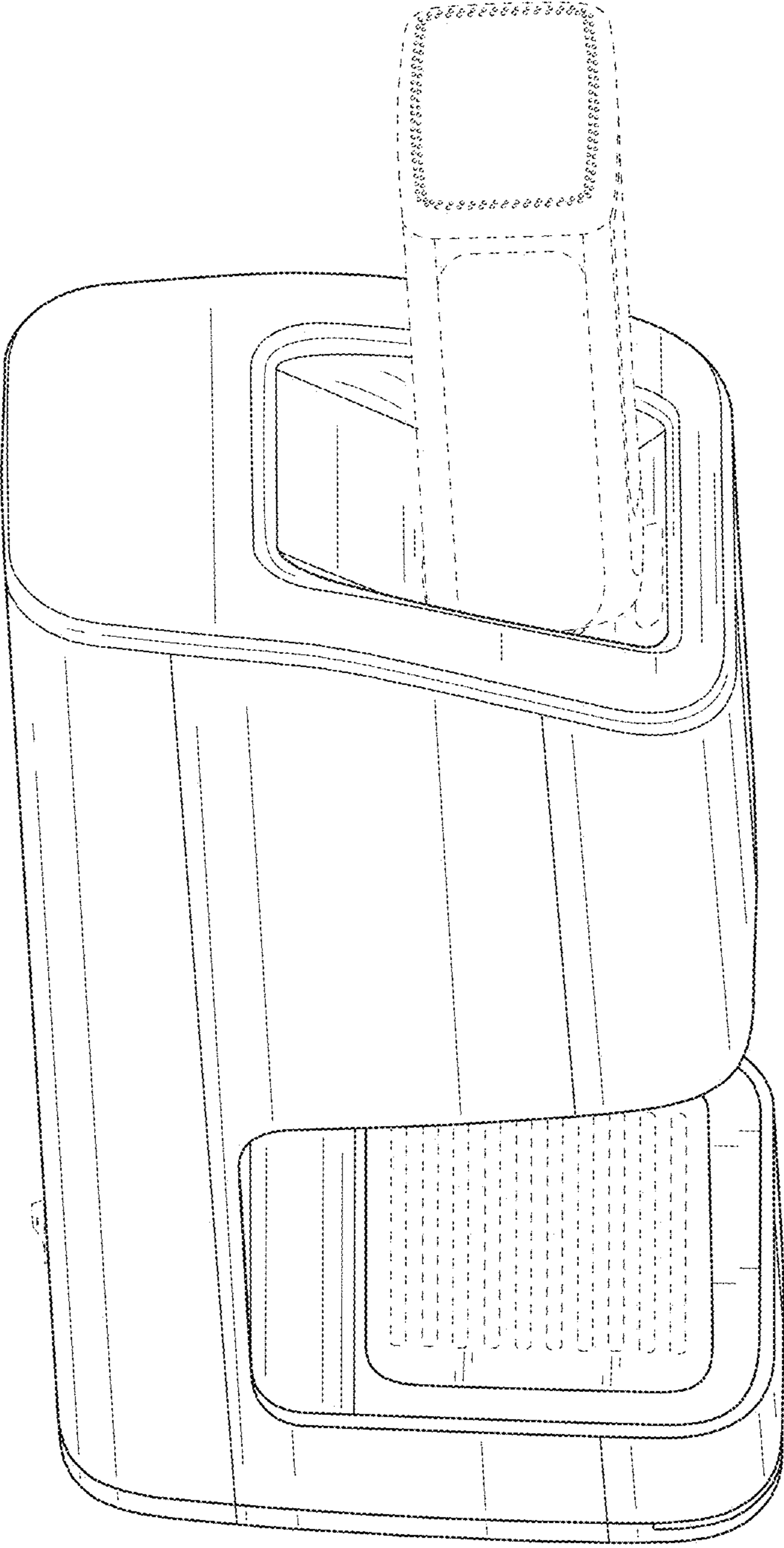


FIG. 7

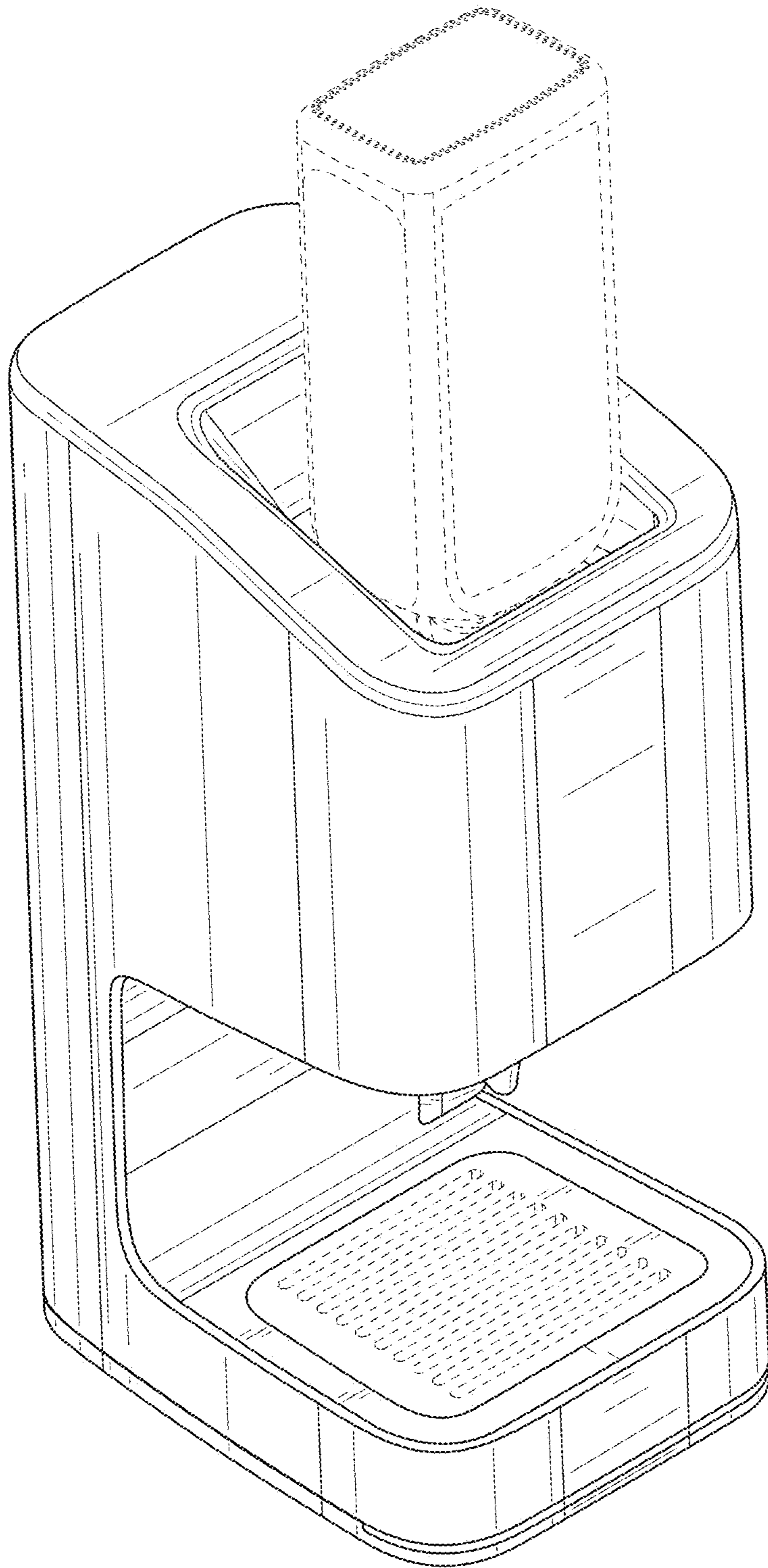


FIG. 8

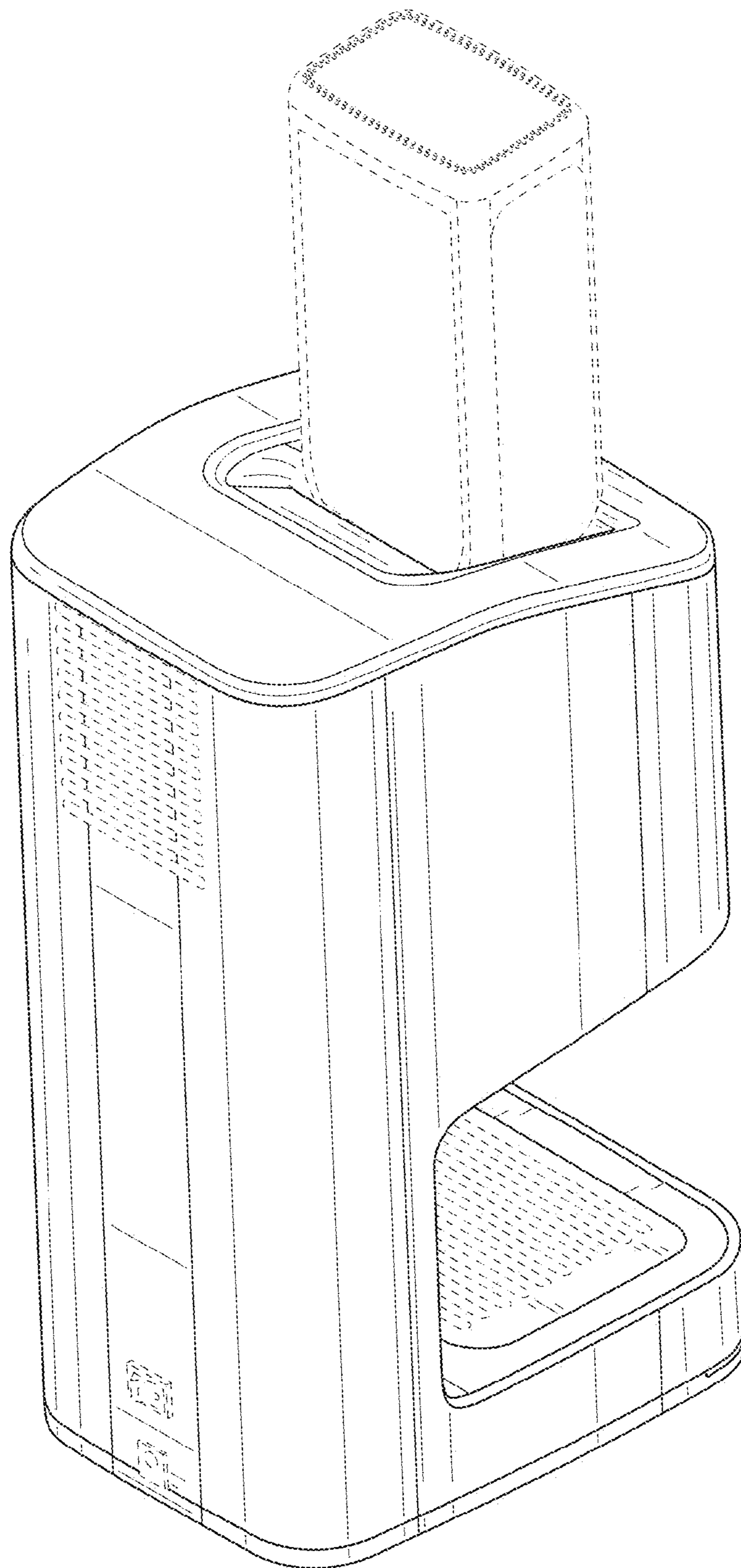


FIG. 9

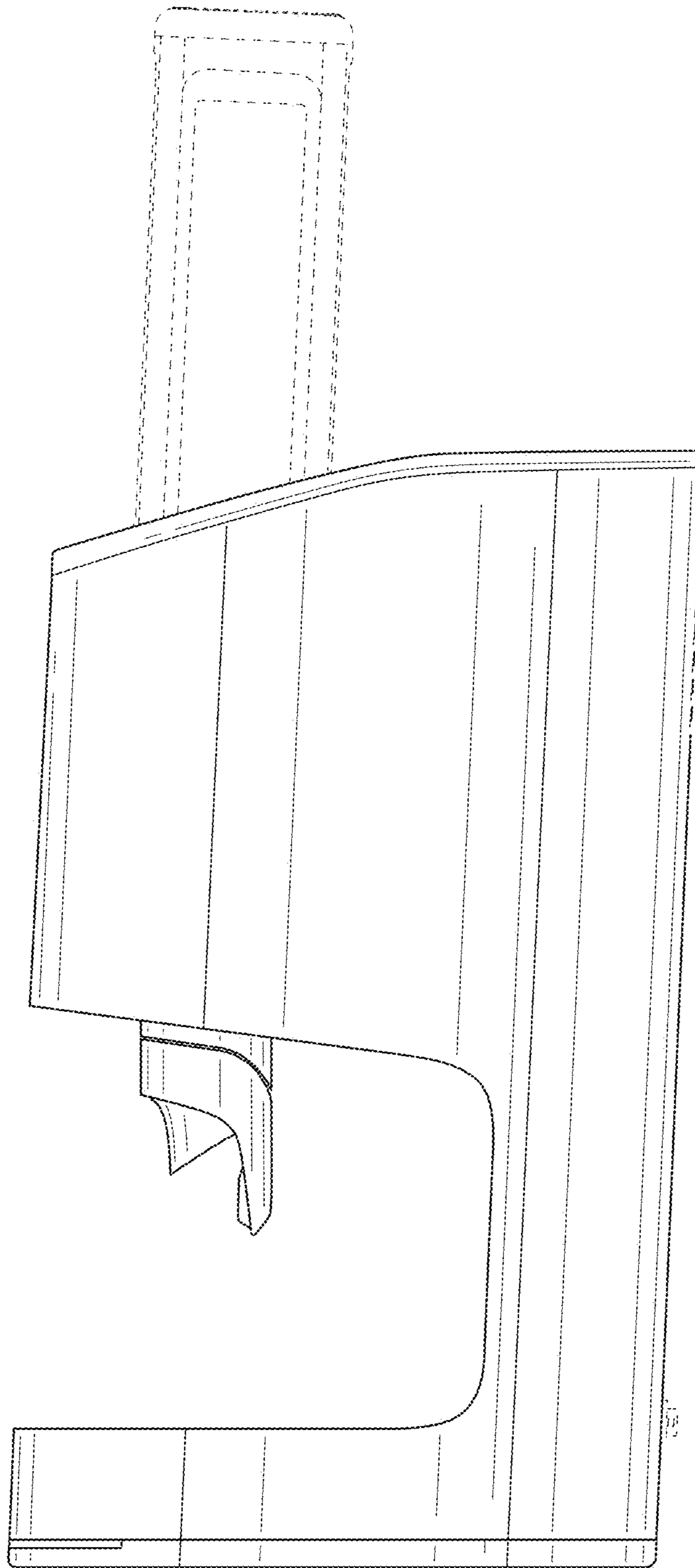


FIG. 10

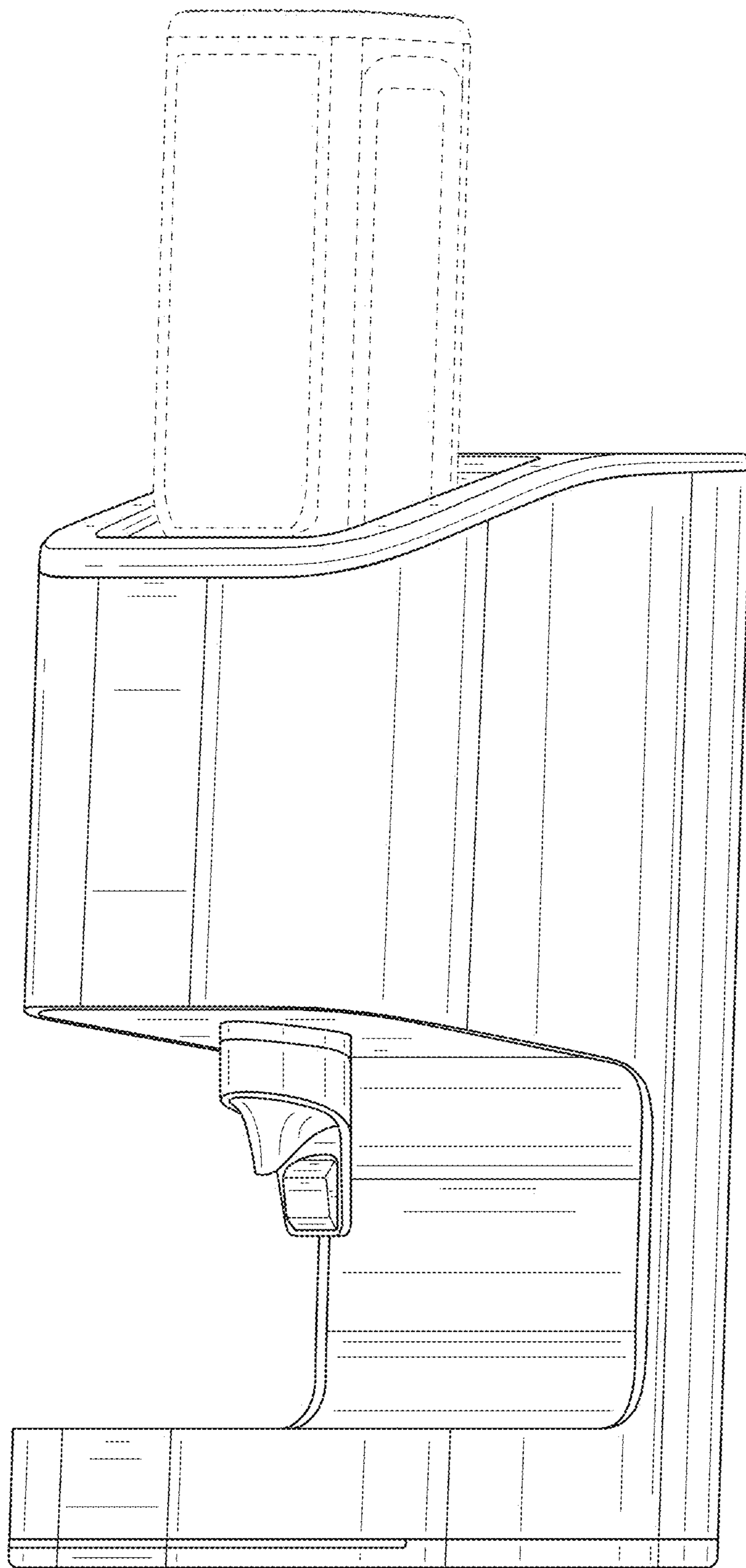


FIG. 11

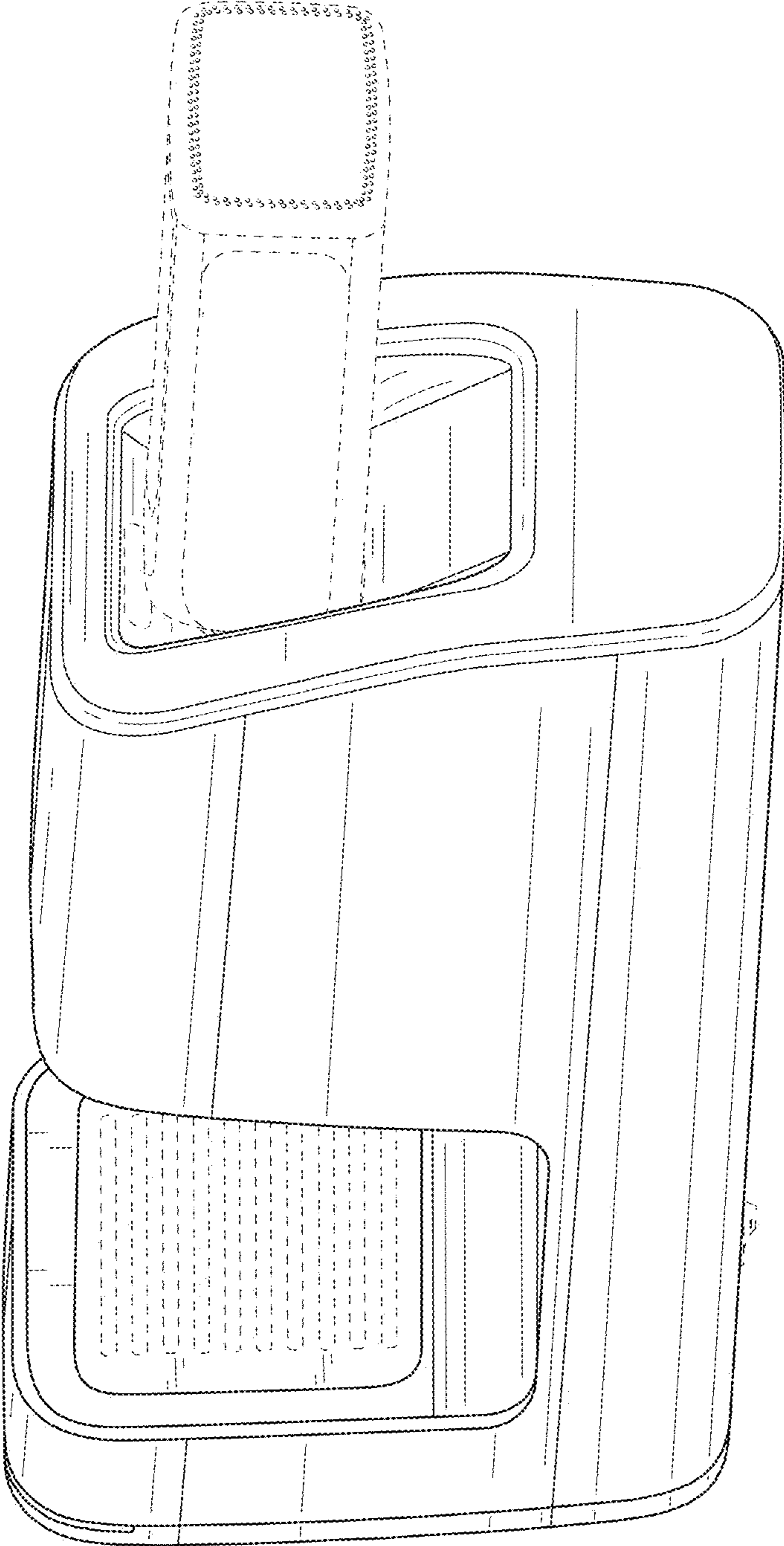


FIG. 12

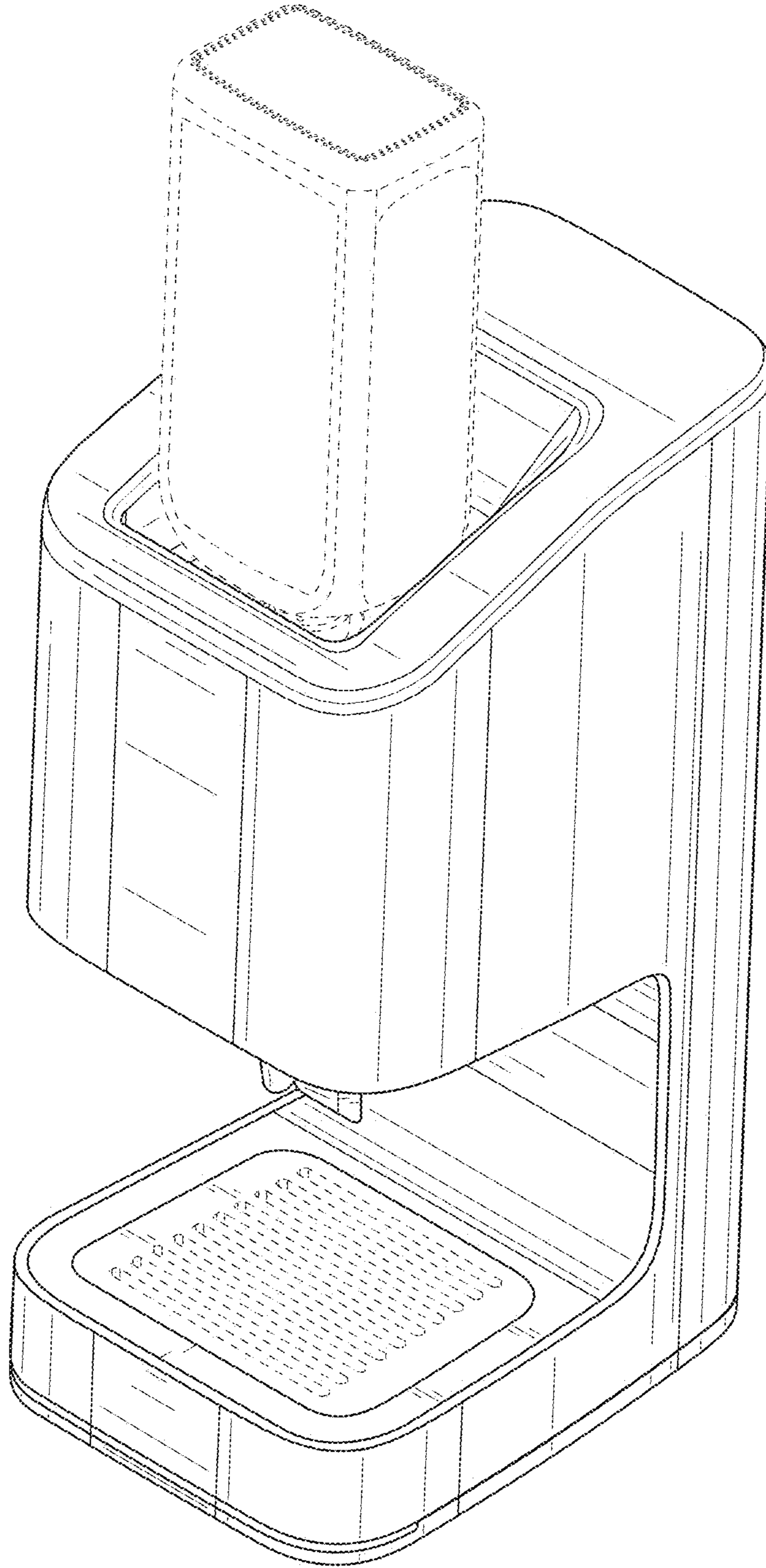


FIG. 13

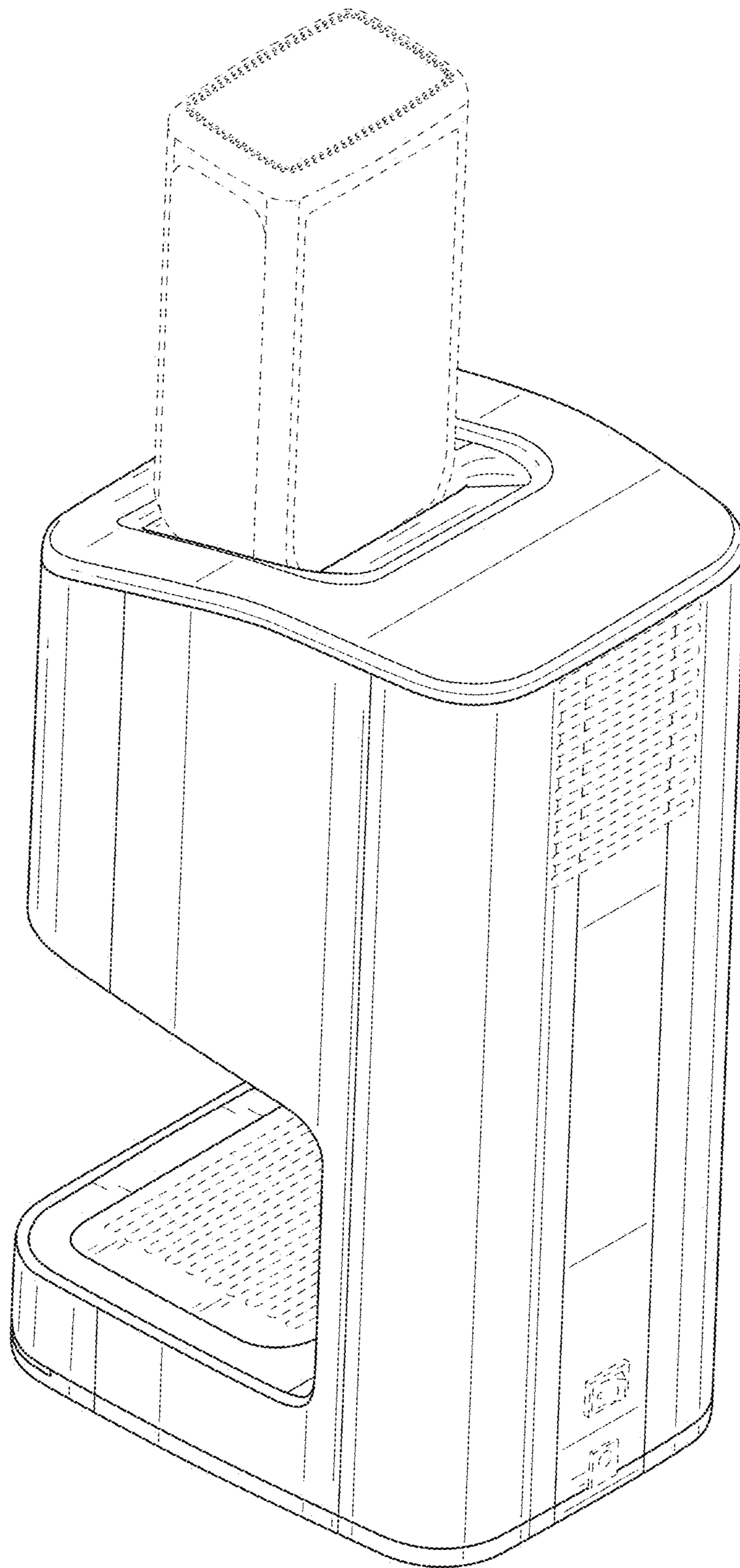


FIG. 14