



US00D948255S

(12) **United States Design Patent** (10) **Patent No.:** **US D948,255 S**
Ben-Avi et al. (45) **Date of Patent:** **** Apr. 12, 2022**

(54) **COMBINED COOLER AND TABLE**

(71) Applicant: **Keter Plastic Ltd.**, Herzliya (IL)

(72) Inventors: **Ehud Ben-Avi**, D.N. Emek Yizrael (IL); **Hadar Amiran**, Timrat (IL)

(73) Assignee: **Keter Plastic Ltd.**, Herzliya (IL)

(**) Term: **15 Years**

(21) Appl. No.: **29/764,862**

(22) Filed: **Jan. 4, 2021**

Related U.S. Application Data

(62) Division of application No. 29/700,359, filed on Aug. 1, 2019, now Pat. No. Des. 920,021.

(30) **Foreign Application Priority Data**

Feb. 3, 2019 (IL) 63287

(51) **LOC (13) Cl.** **06-03**

(52) **U.S. Cl.**
USPC **D6/686**

(58) **Field of Classification Search**
USPC D6/336-338, 667, 668, 685-687, 695.2
CPC A47B 37/00; A47B 97/00; A47B 69/00
See application file for complete search history.

(56) **References Cited**

U.S. PATENT DOCUMENTS

- 414,623 A * 11/1889 Winters B60R 25/007
68/80
2,079,225 A * 5/1937 Sabaneeff A47B 69/00
312/271
D188,797 S * 9/1960 Page D6/686
4,794,868 A * 1/1989 Adler A47B 9/10
108/146
D316,639 S * 5/1991 Adler D6/686

- D590,632 S * 4/2009 Zak D6/668
D677,073 S * 3/2013 Zak D6/686
D899,829 S * 10/2020 Liang D6/686
D920,021 S * 5/2021 Ben-Avi D6/686
2009/0101046 A1 * 4/2009 Zak A47B 31/02
108/12

OTHER PUBLICATIONS

“Keter Cool Bar.” Found online Sep. 11, 2021 at www.amazon.de. Product first available Jan. 1, 2010. Retrieved from URL: <https://tinyurl.com/3ejk9k3a> (Year: 2010).*

* cited by examiner

Primary Examiner — Mary Ann Calabrese

Assistant Examiner — Katelin G Kloberg

(74) *Attorney, Agent, or Firm* — Vorys, Sater, Seymour & Pease LLP; William Klima

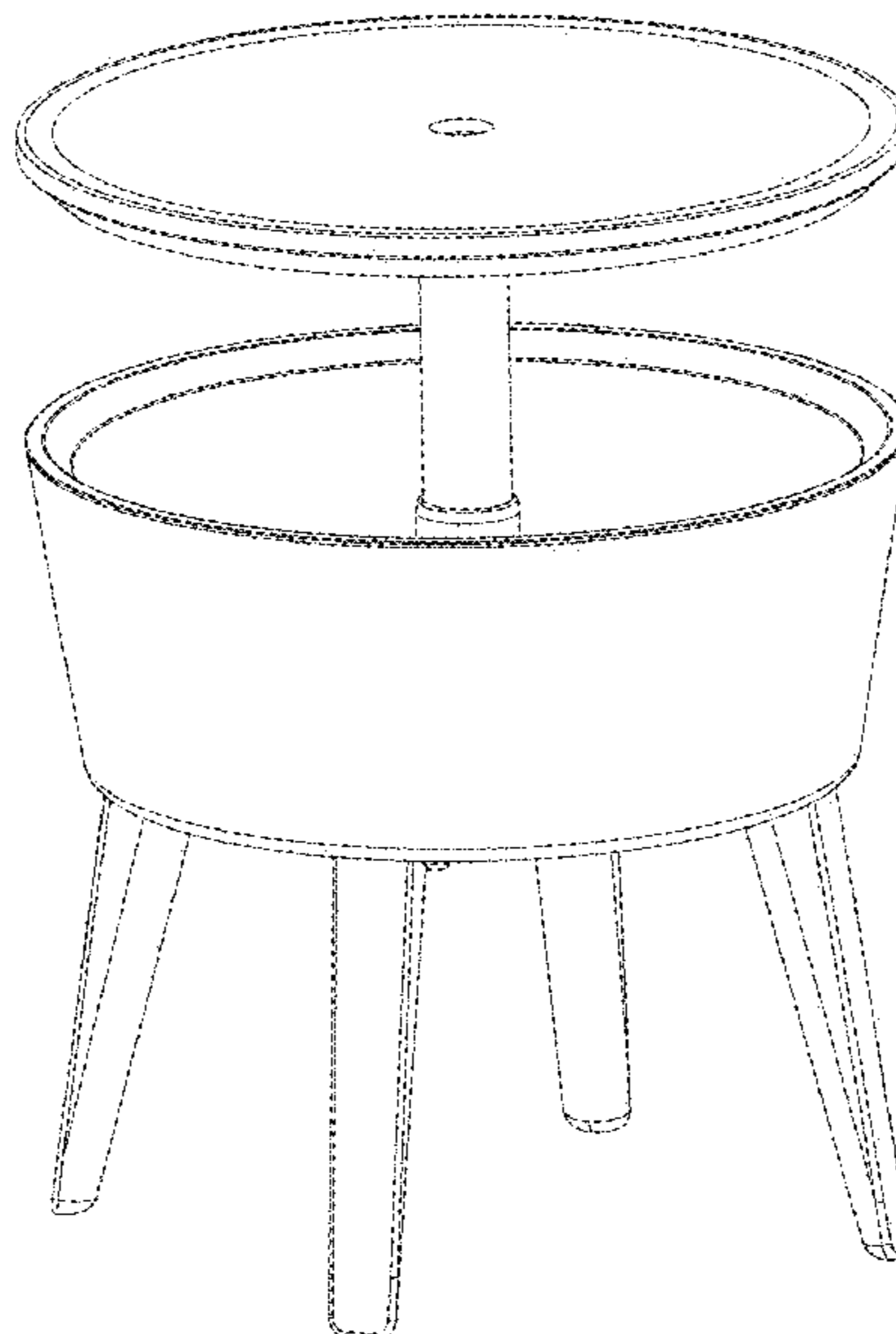
(57) **CLAIM**

The ornamental design for a combined cooler and table, as shown and described.

DESCRIPTION

FIG. 1 is a top perspective view of a combined cooler and table, showing our new design in an open configuration; FIG. 2 is a top perspective view, shown in a closed configuration; FIG. 3 is a bottom perspective view, shown in an open configuration; FIG. 4 is a bottom perspective view, shown in a closed configuration; FIG. 5 is a side elevation view, shown in an open configuration, with the opposite side being identical thereto; FIG. 6 is a side elevation view, shown in a closed configuration, with the opposite side being identical thereto; FIG. 7 is a top plan view; and, FIG. 8 is a bottom plan view.

1 Claim, 8 Drawing Sheets



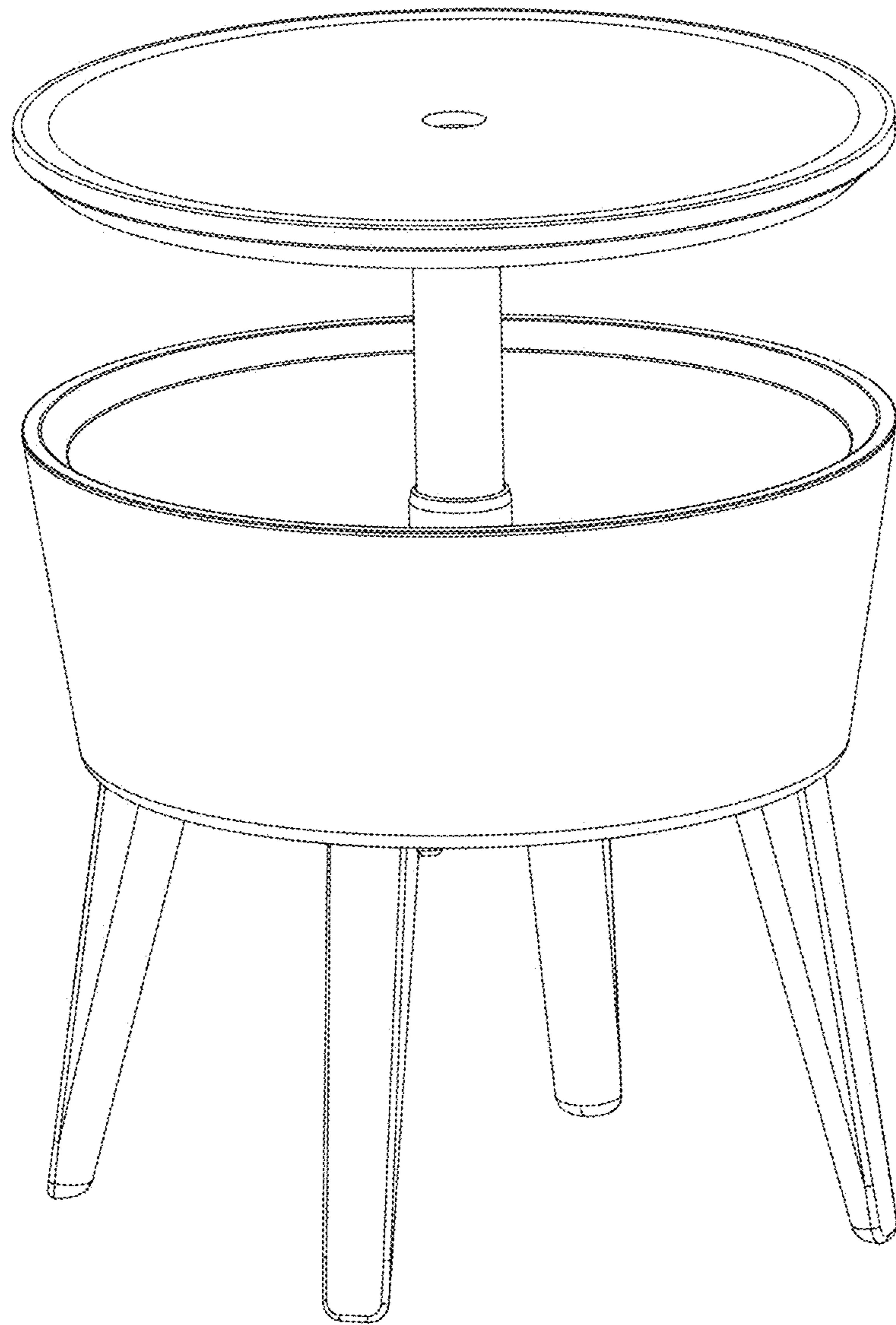


FIG. 1

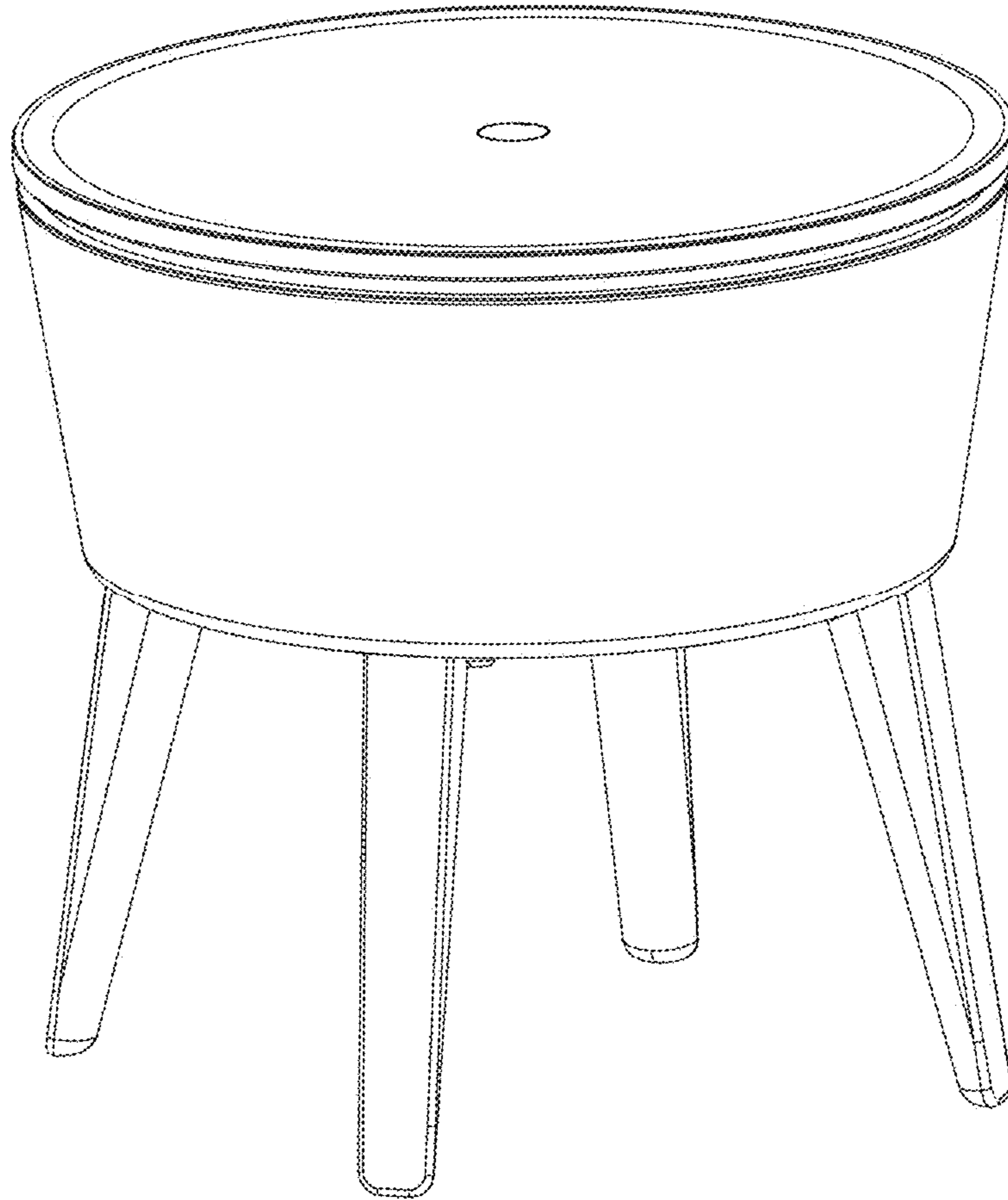


FIG. 2

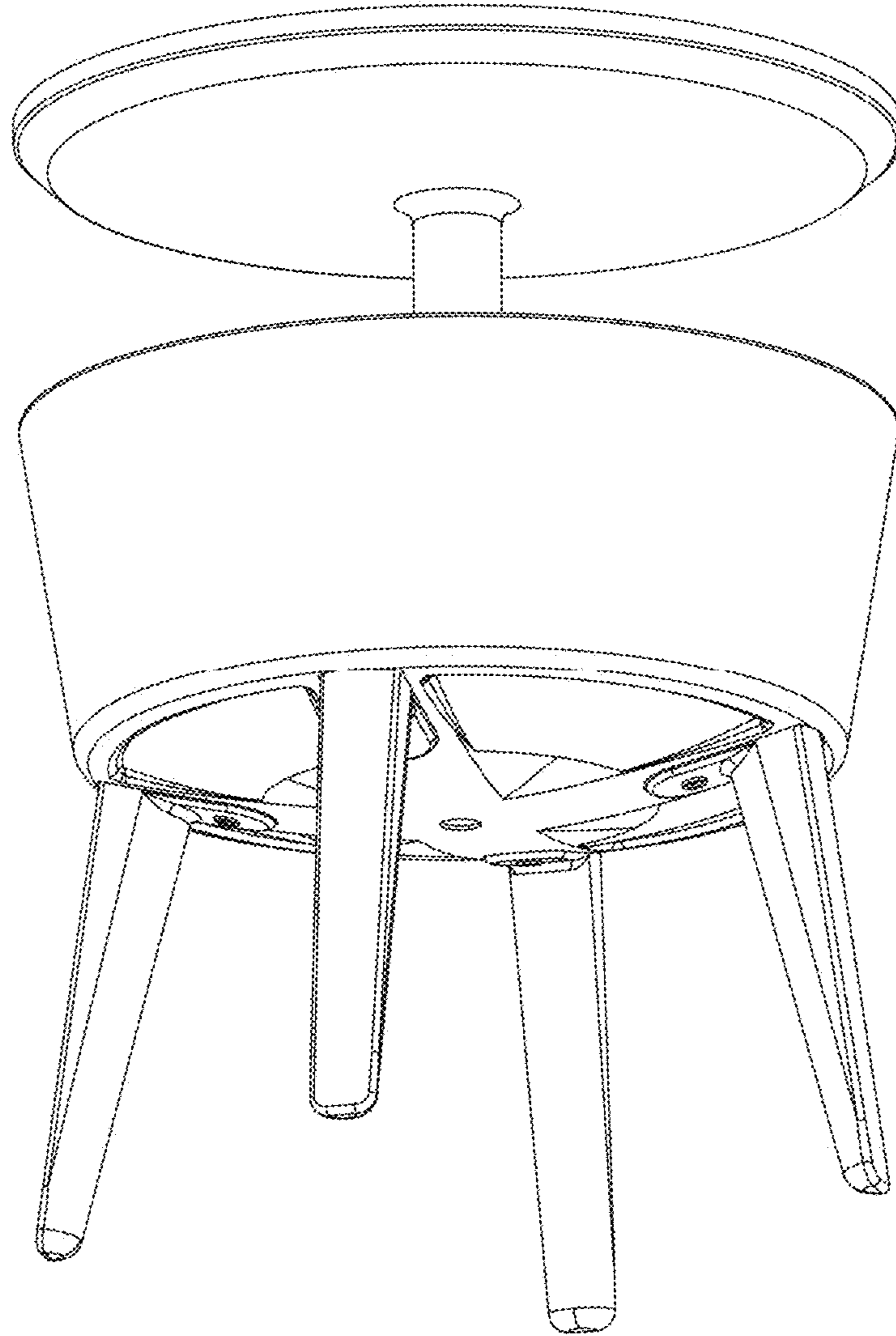


FIG. 3

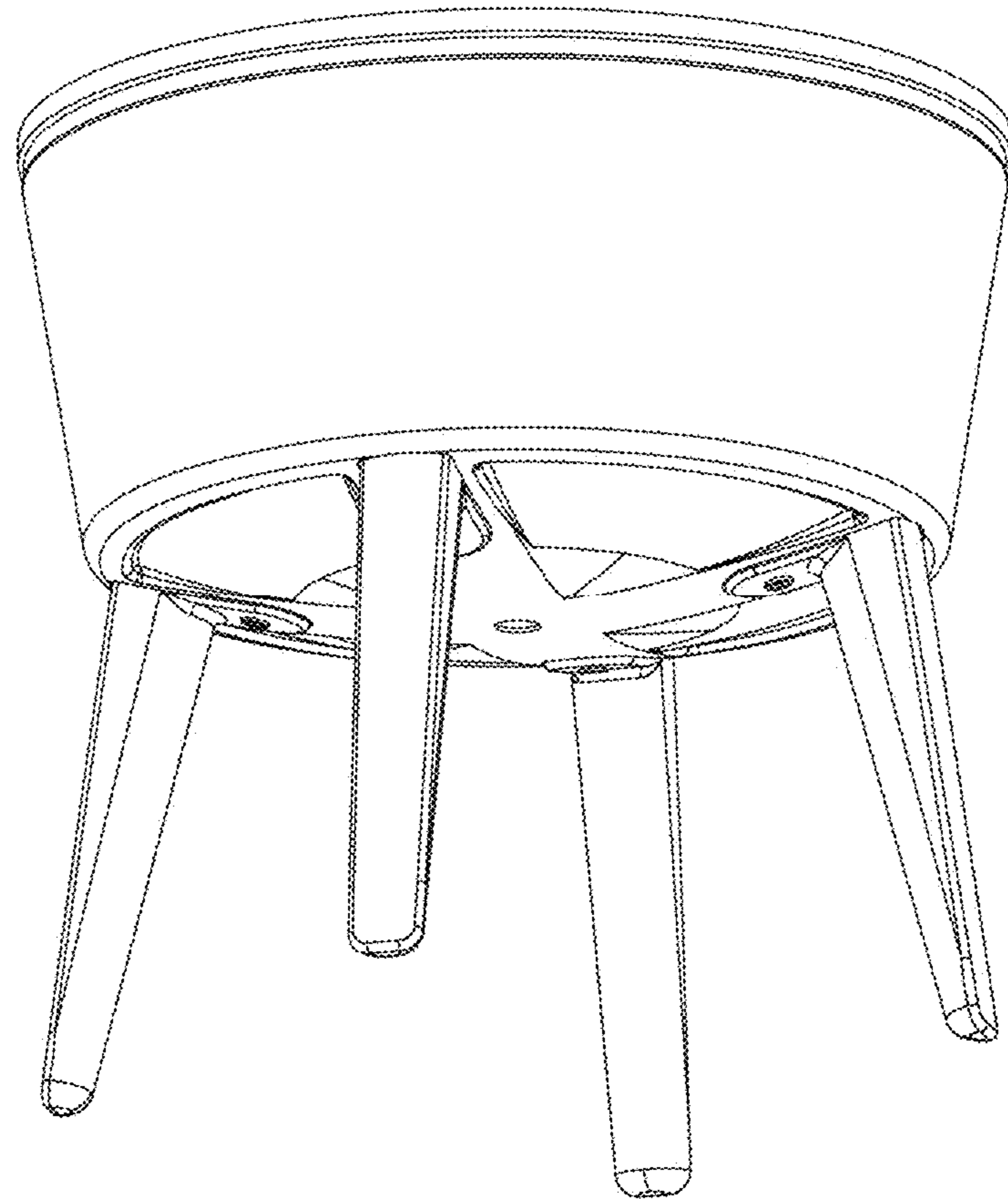


FIG. 4

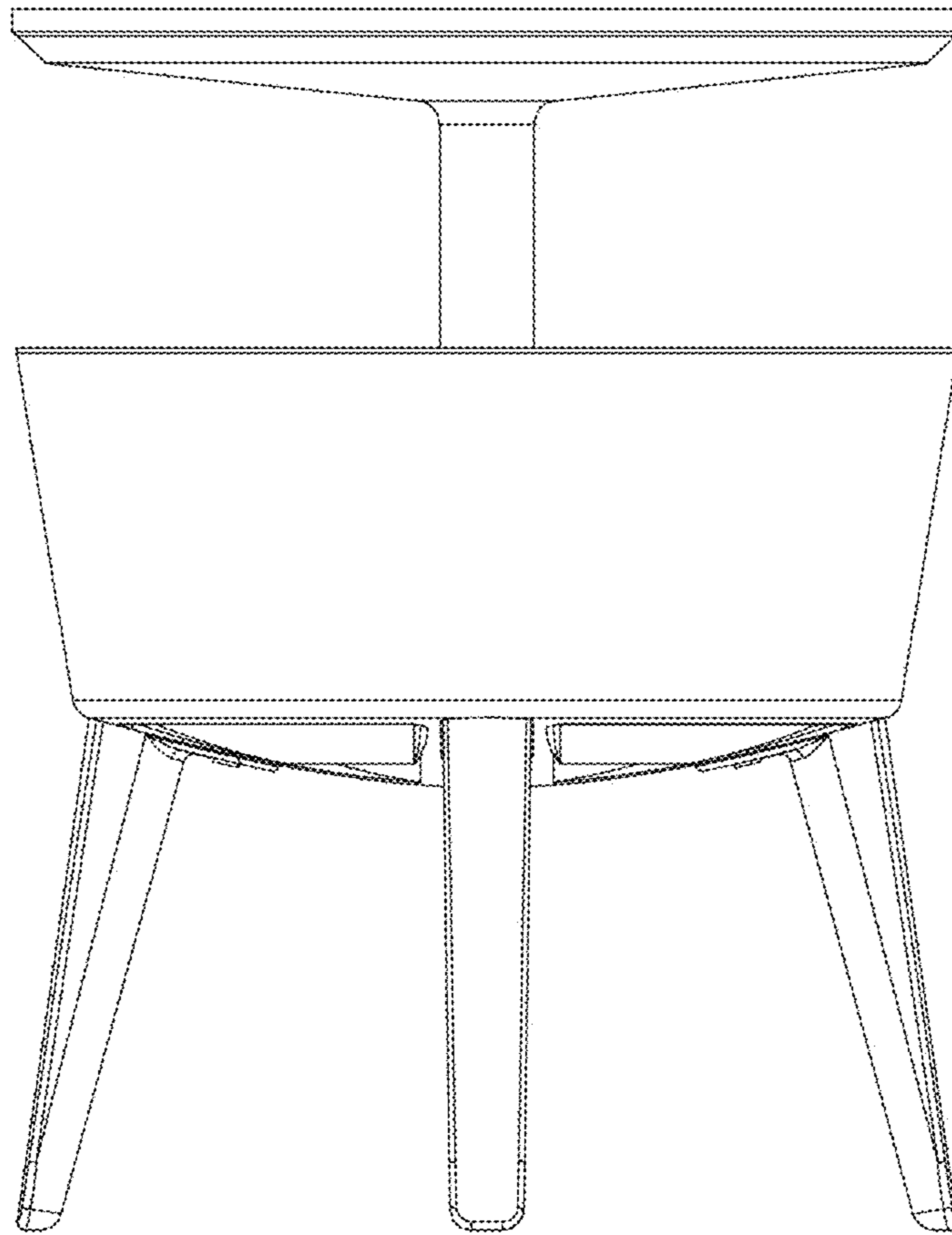


FIG. 5

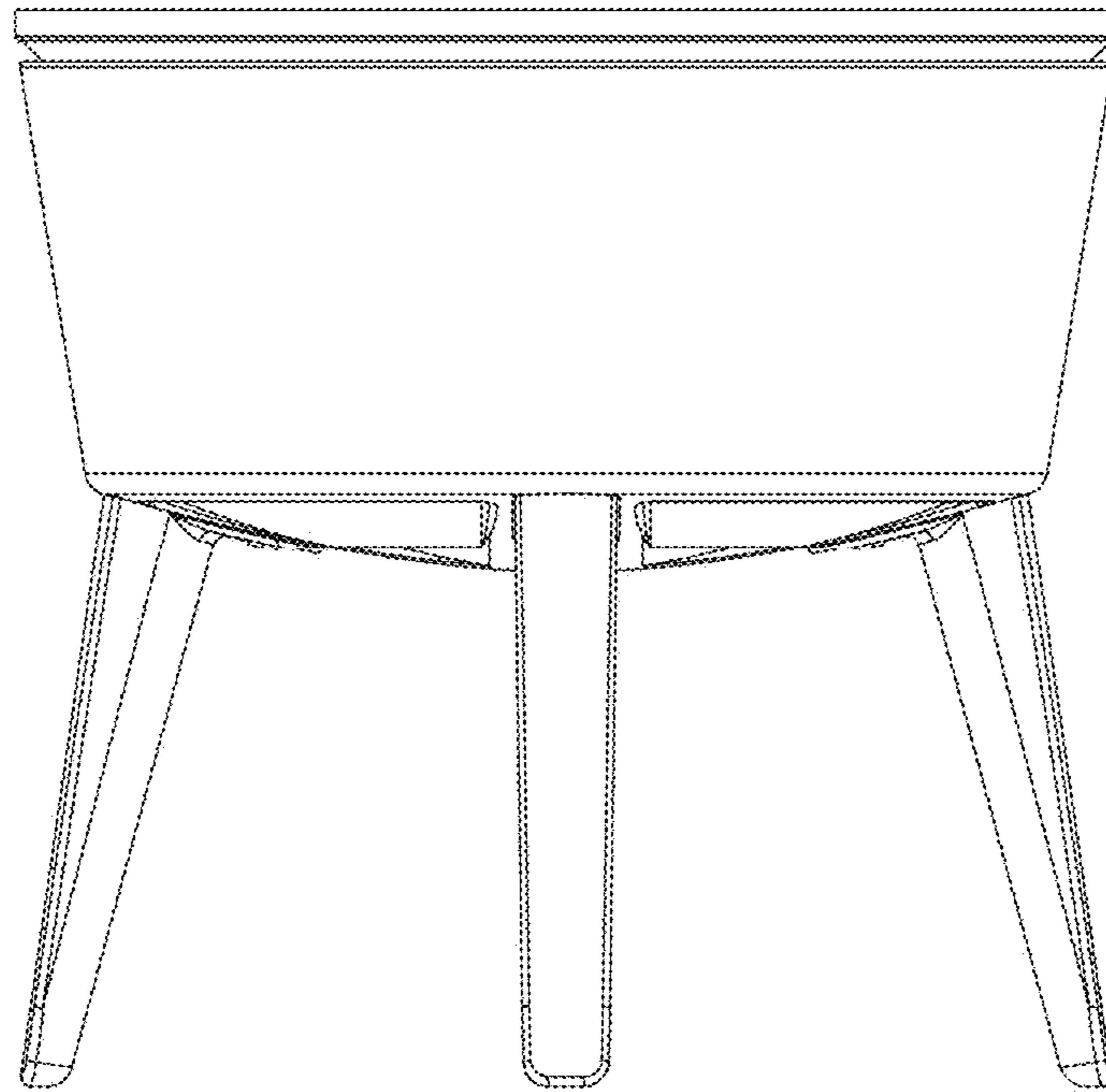


FIG. 6

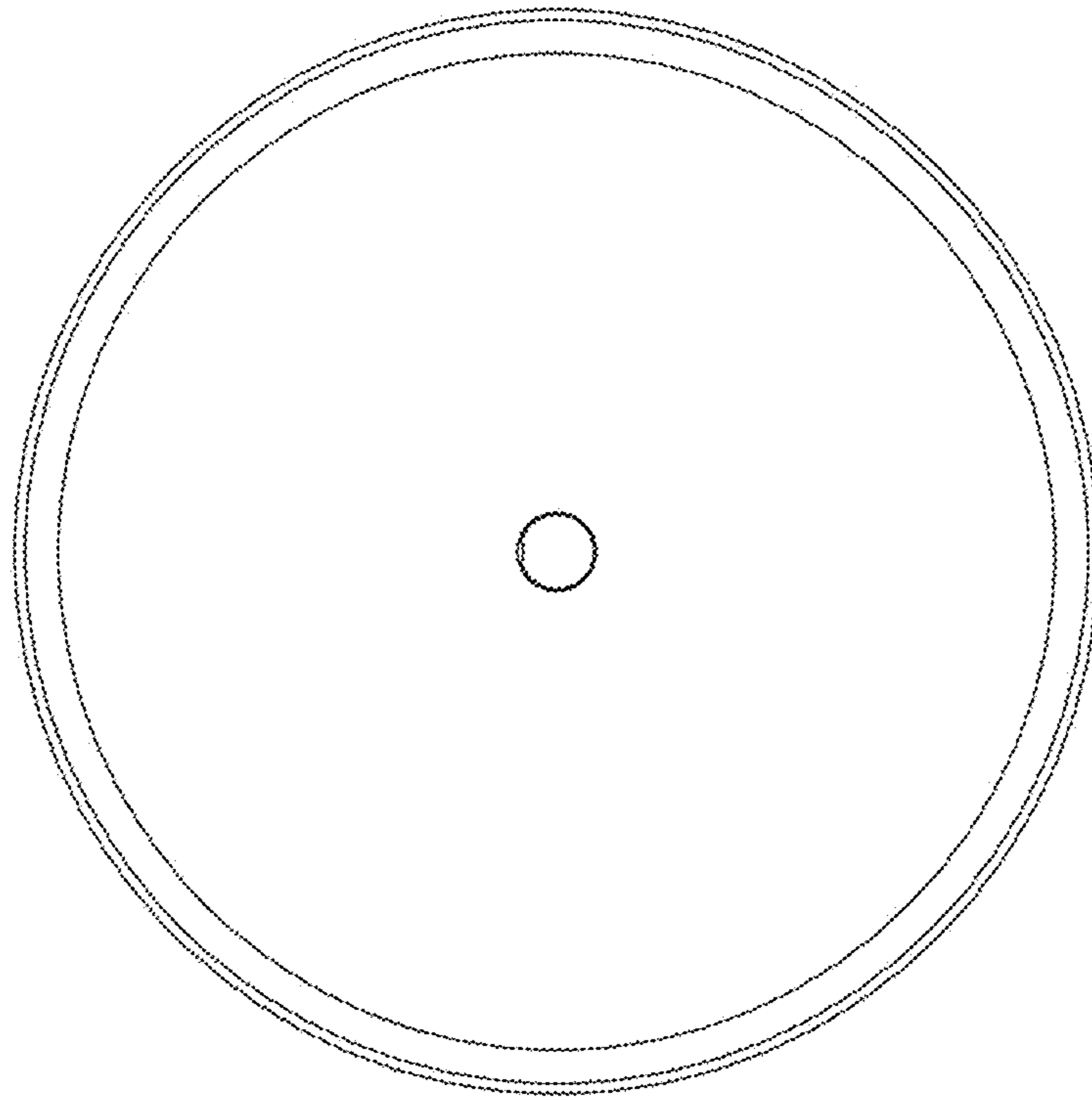


FIG. 7

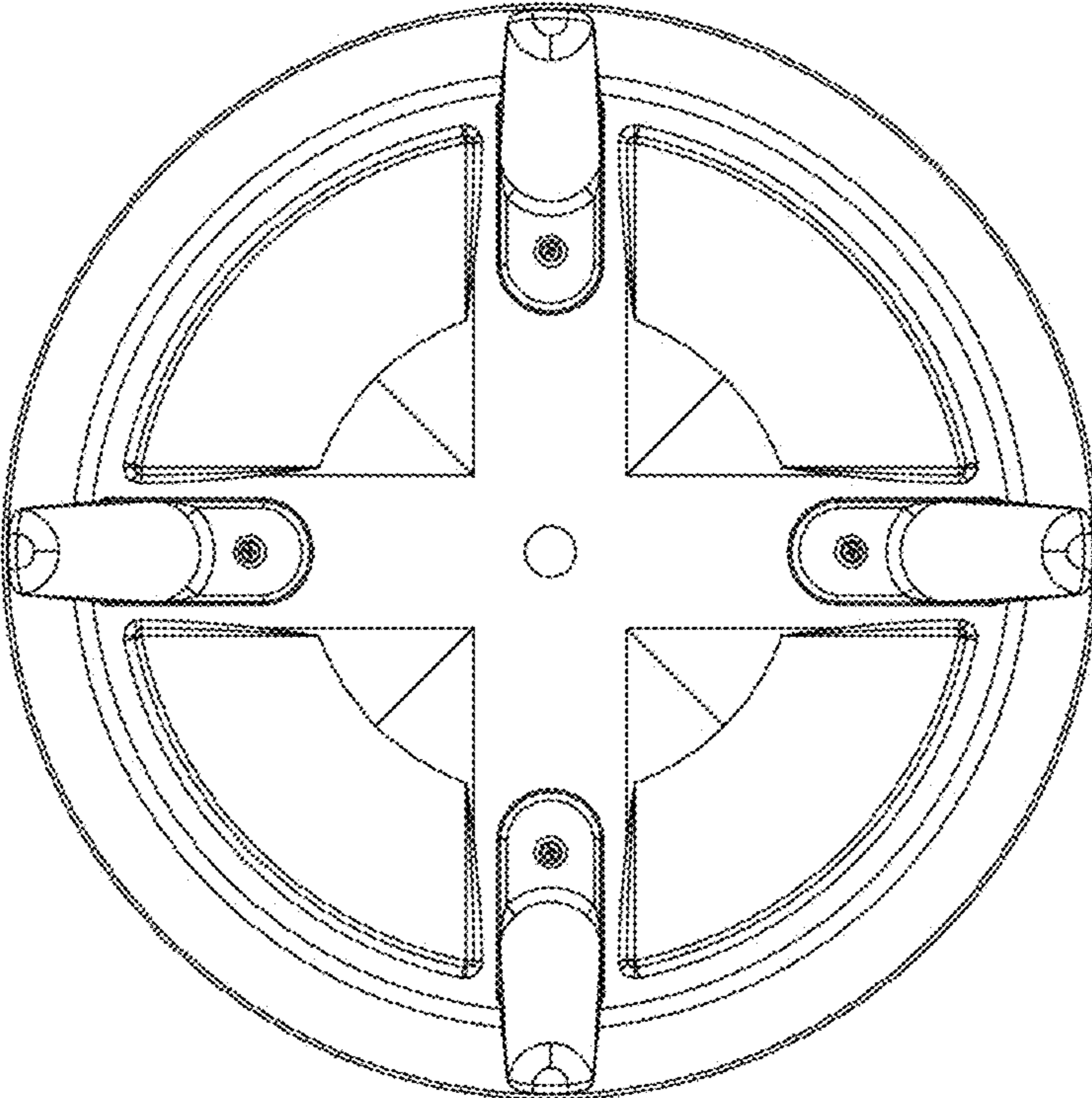


FIG. 8