



US00D948253S

(12) **United States Design Patent** (10) **Patent No.:** **US D948,253 S**
Åman et al. (45) **Date of Patent:** **** Apr. 12, 2022**

(54) **WATCH STAND** 6,168,030 B1 * 1/2001 Morris A47F 7/0028
211/13.1
(71) Applicant: **The Watch Stand Global AB,** 6,209,828 B1 * 4/2001 Au A47F 7/022
Stockholm (SE) 206/301
D467,094 S * 12/2002 Bodzioch D6/682
D473,731 S * 4/2003 Banks D6/672
(72) Inventors: **Jens Åman, Stockholm (SE); Soran** D478,740 S * 8/2003 Kirshner A47F 7/022
Gameel, Stockholm (SE) D6/682
D486,332 S * 2/2004 Hoernig D6/520
(73) Assignee: **The Watch Stand Global AB** D540,065 S * 4/2007 Harris D6/672
D563,694 S * 3/2008 Mitchell D6/682.6
(**) Term: **15 Years** D607,234 S * 1/2010 Chue D6/672
D607,235 S * 1/2010 Chue D6/682.5
D607,666 S * 1/2010 Isbell D6/672
(21) Appl. No.: **35/509,413** D655,530 S * 3/2012 Denby D6/681.1
D696,042 S * 12/2013 Starck D6/520
(22) Filed: **Mar. 31, 2020** 9,107,514 B1 * 8/2015 Morieras A47F 7/02
(Continued)

(80) **Hague Agreement Data**
Int. Filing Date: **Mar. 31, 2020**
Int. Reg. No.: **DM/208030**
Int. Reg. Date: **Mar. 31, 2020**
Int. Reg. Pub. Date: **May 22, 2020**

(51) **LOC (13) Cl.** **20-02**
(52) **U.S. Cl.**
USPC **D6/682**
(58) **Field of Classification Search**
USPC D6/672, 675, 681, 681.1, 681.2, 682,
D6/682.3, 682.5
CPC A47F 5/04; A47F 7/02; A47F 7/022; A47F
5/10; A47F 5/13; A47F 5/0025; A47F
5/16
See application file for complete search history.

(56) **References Cited**
U.S. PATENT DOCUMENTS
D193,961 S * 10/1962 Jantzen et al. D6/681.3
D270,220 S * 8/1983 Cuminale D6/682.4
D297,595 S * 9/1988 Sawai D3/20
D322,368 S * 12/1991 Blum D6/680
D352,190 S * 11/1994 Tucker D6/681.1
D354,863 S * 1/1995 Pope D6/681
D391,706 S * 3/1998 Malcolm 211/205
D408,656 S * 4/1999 Au D6/678.2

OTHER PUBLICATIONS

Bjewego Watch Display Stand, amazon.com, [*Primary Examiner* — Steven J Czyz
\(74\) *Attorney, Agent, or Firm* — Barclay Damon LLP](https://www.amazon.com/dp/B08QRFKVR2/ref=sspa_dk_detail_6?spLa=ZW5jcnlwdG V kUXVhbG lmaWV yPUE4MUVHMzcySFM5MEcmZW5jcnlwdG V kSWQ9QTA3NjMzODgzRUtHSUpHS0xJSFhDjM VuY3J5cHRI ZEFkSWQ9QTA4OTA3NzAyRTJPWFpHRkMwQzZEJndpZG dld E5hbWU9c3BfZGV0YWIsMiZhY3Rpb249Y2xpY2tSZWRpc (Year: 2021).*</p><p>(Continued)</p></div>
<div data-bbox=)

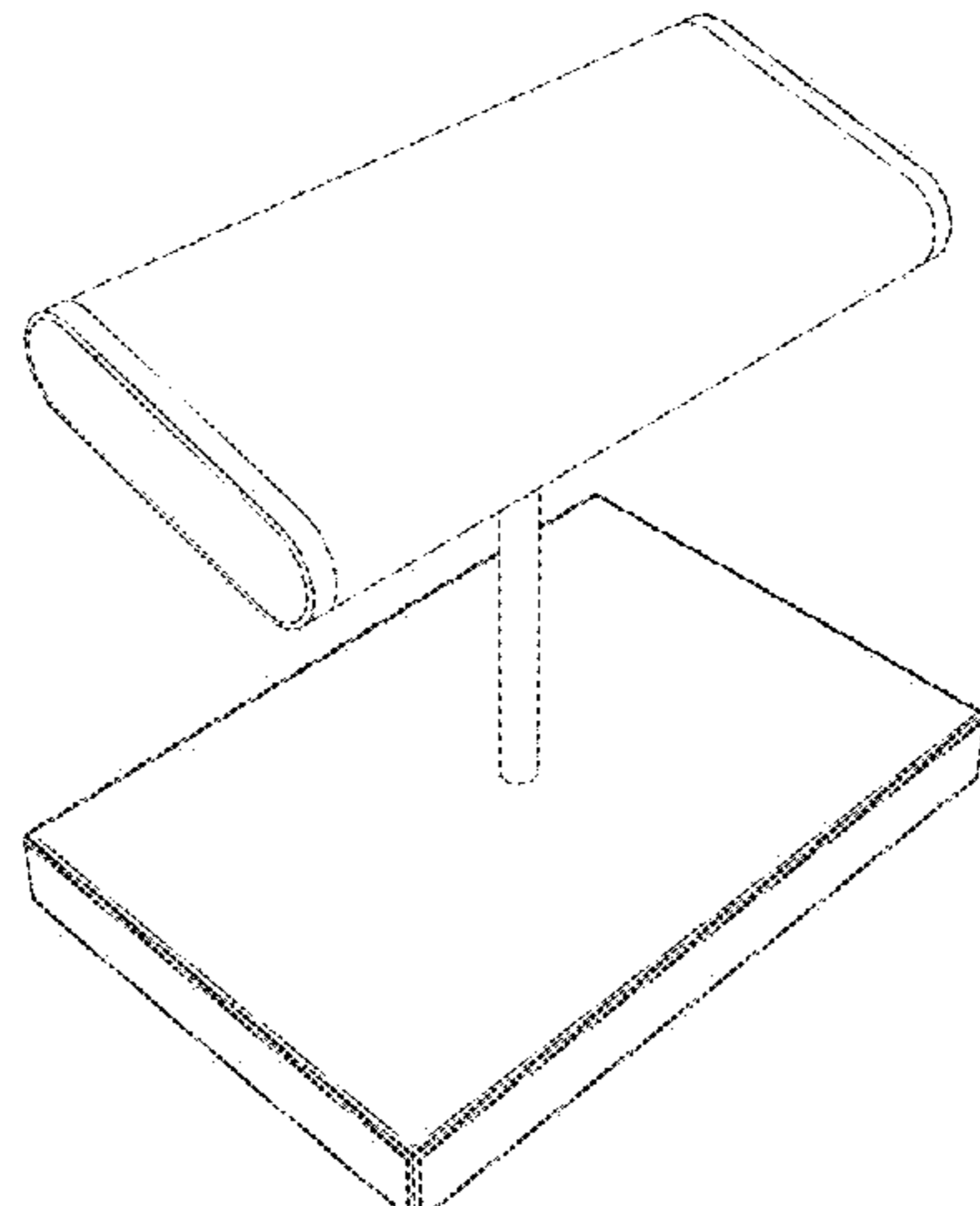
(57) **CLAIM**

The ornamental design for a watch stand, as shown and described.

DESCRIPTION

1. Watch stand
1.1 : Perspective
1.2 : Front
1.3 : Back

(Continued)



1.4 : Top
1.5 : Bottom
1.6 : Left
1.7 : Right

1 Claim, 7 Drawing Sheets

D868,513 S * 12/2019 Chiang D6/681.1
D884,622 S * 5/2020 Huang D13/108
D888,473 S * 6/2020 Li D6/682.6
D888,474 S * 6/2020 Li D6/682.6
D897,138 S * 9/2020 Thain D6/682.3
D908,409 S * 1/2021 Chiang D6/681
D910,350 S * 2/2021 Chiang D6/681

OTHER PUBLICATIONS

(56)

References Cited

U.S. PATENT DOCUMENTS

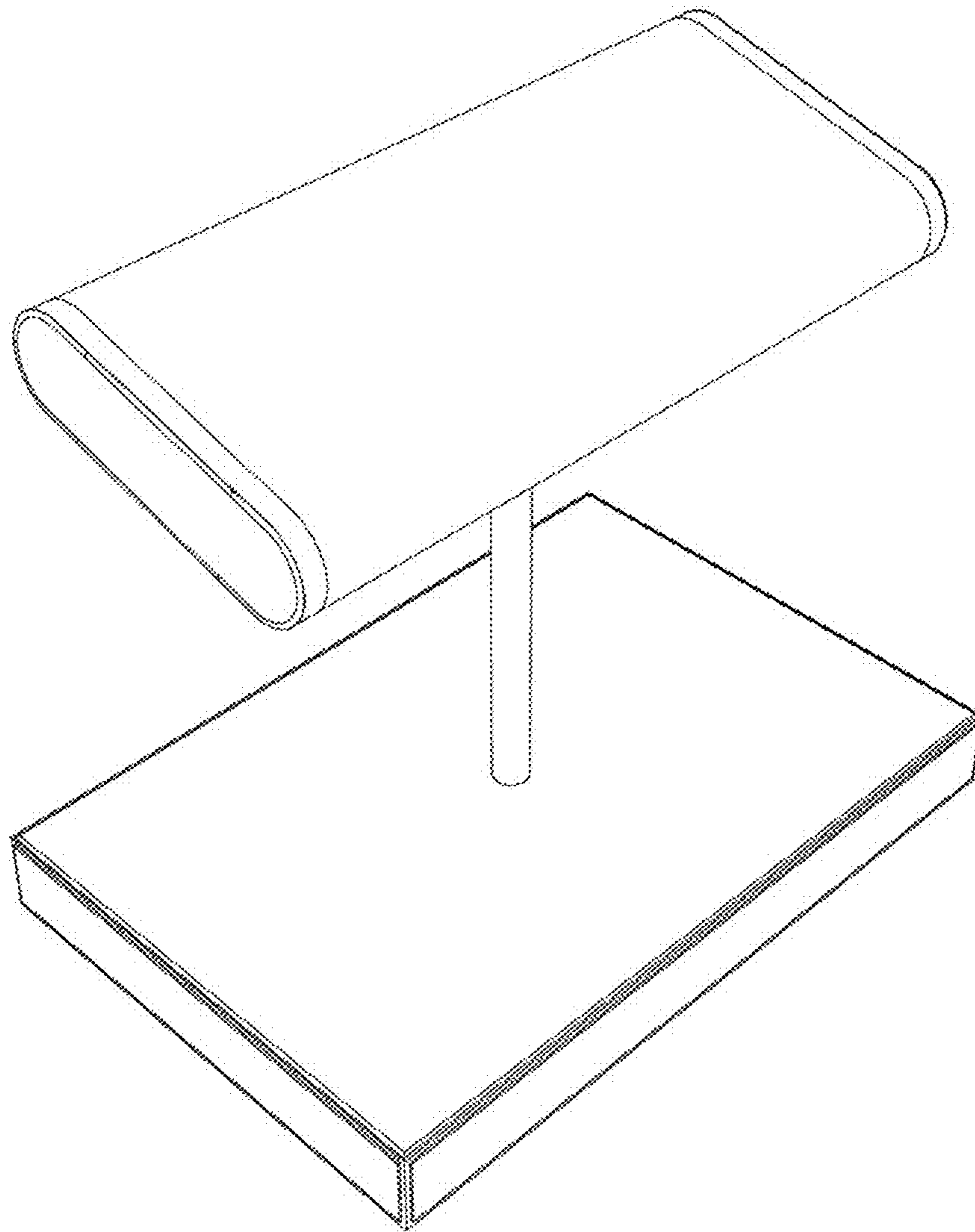
D779,242 S * 2/2017 Kacin D6/682.5
D785,380 S * 5/2017 King D6/681
D794,984 S * 8/2017 Green D6/682.5
D811,783 S * 3/2018 Janssens D6/682.5
9,996,055 B2 * 6/2018 Wierenga H02J 50/10
10,092,116 B1 * 10/2018 Johns A47F 7/022
D851,431 S * 6/2019 Jia D6/682.1
10,312,717 B2 * 6/2019 Green H02J 50/10

Bracelet Show Stand Luxury Watch Display Stand Holder PU
Leather Rest Pillow Jewelry Stand Rack, cicig.co, <https://www.cicig.co/product/1005001468010447/bracelet-show-stand-luxury-watch-display-stand-holder-pu-leather-rest-pillow> (Year: 2021).*

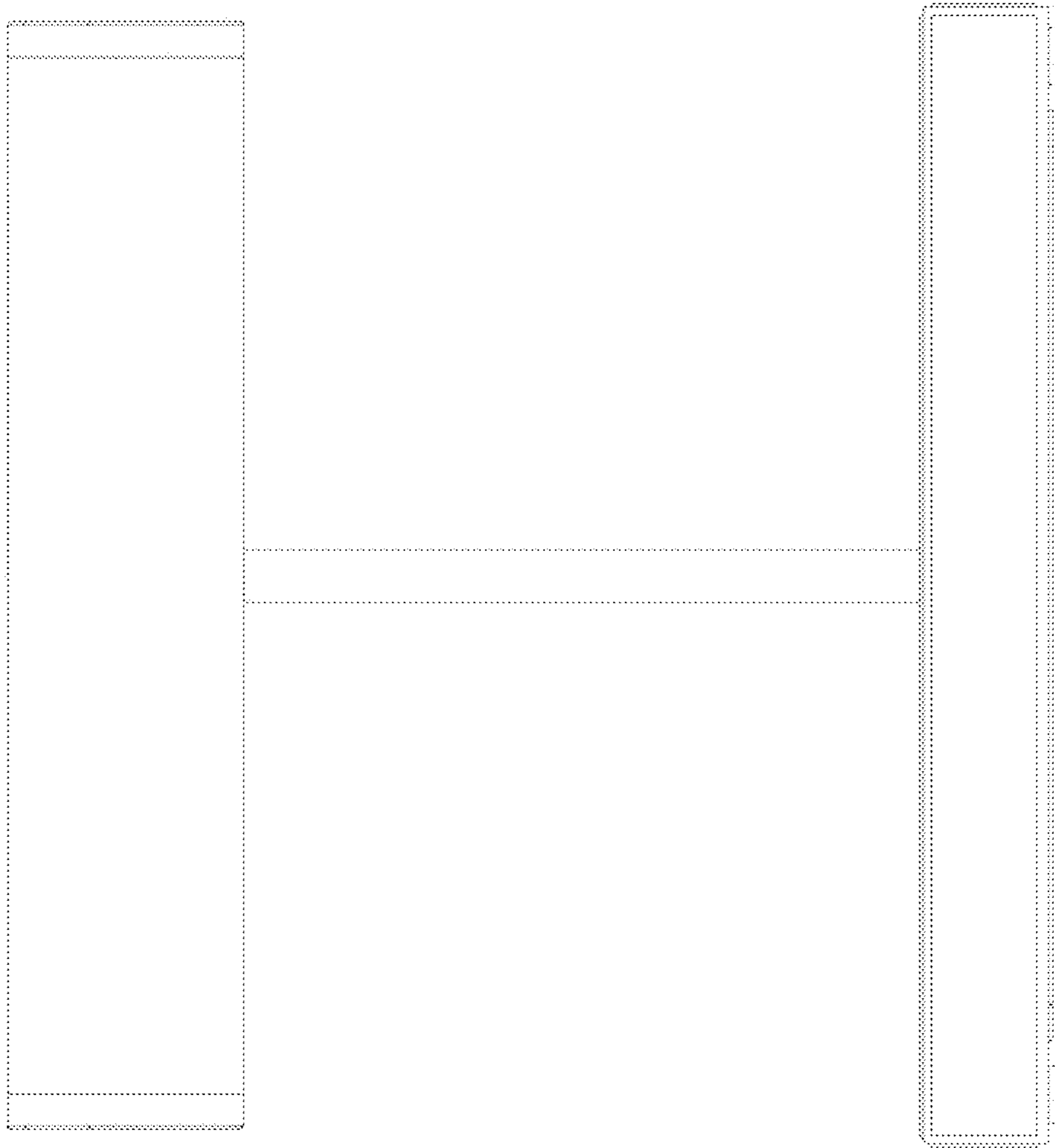
The Double Watch Stand, The Watchist, etsy.com, https://www.etsy.com/listing/883233228/the-double-watch-stand-display-holder?ga_order=most_relevant&ga_search_type=all&ga_view_type=gallery&ga_search_query=double+watch+stand&ref=sr_gallery-1-15&from_market_listing_grid_organic=1&pro=1&frs=1 (Year: 2021).*

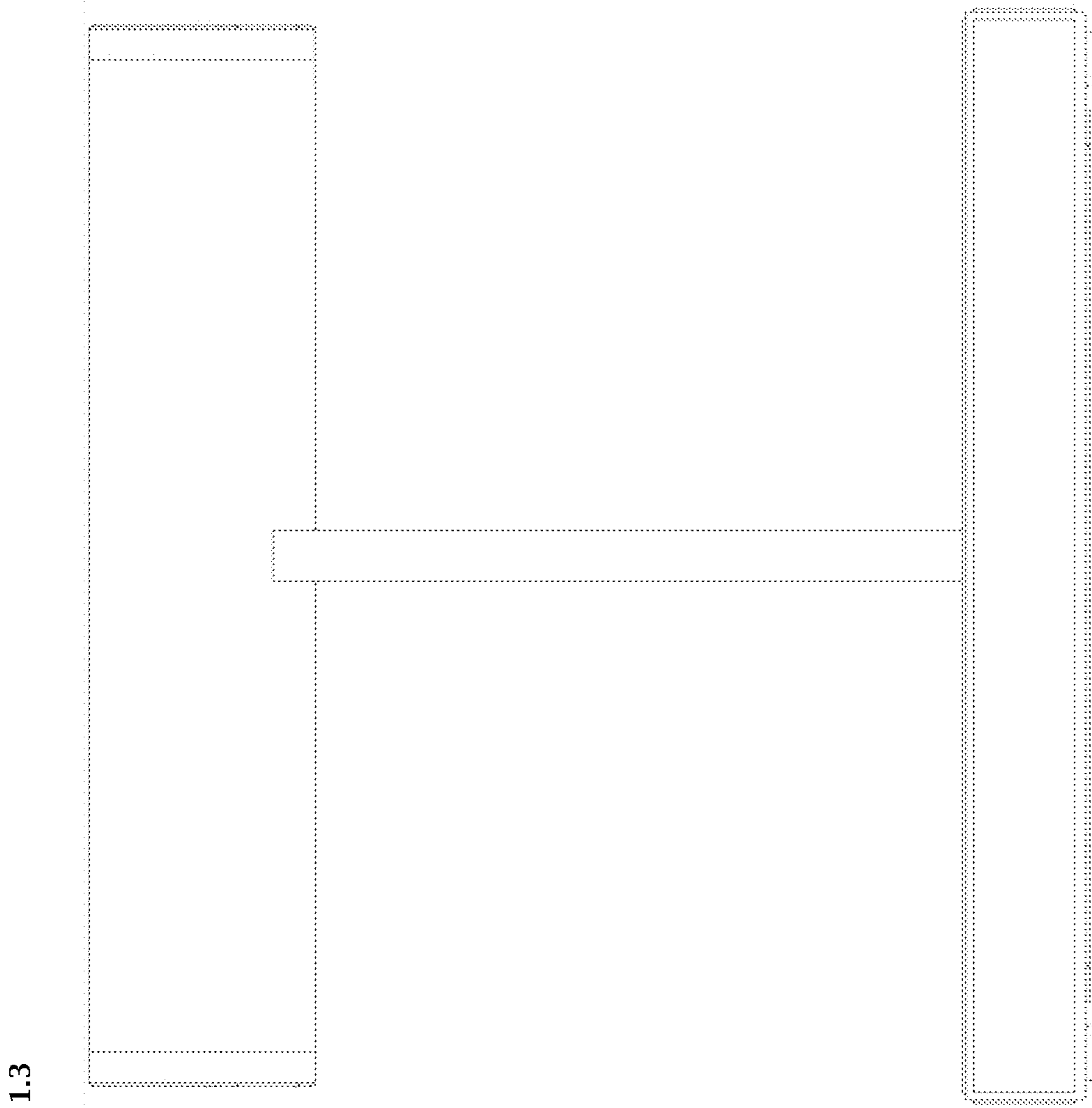
* cited by examiner

1.1

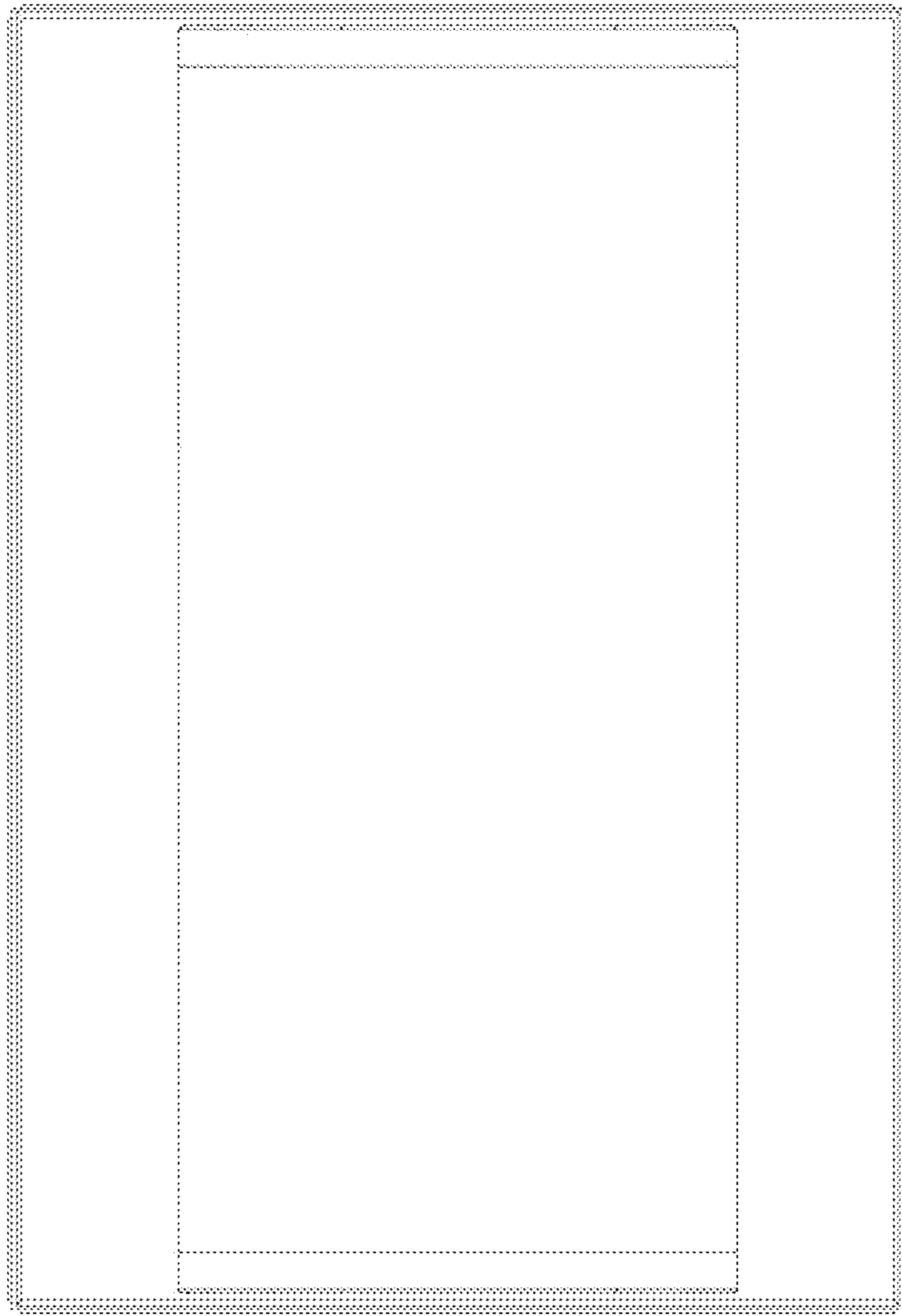


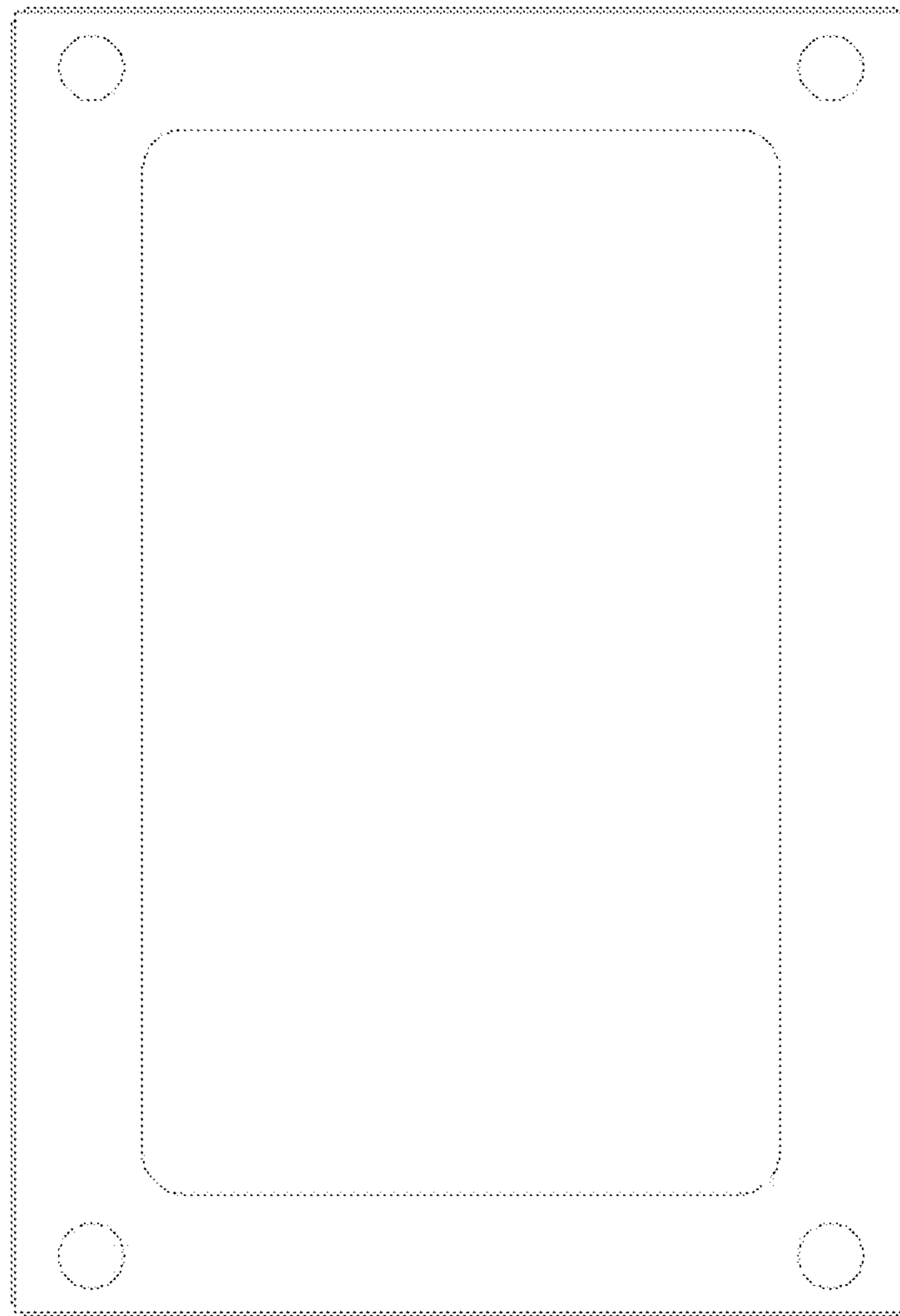
1.2





1.4





1.5

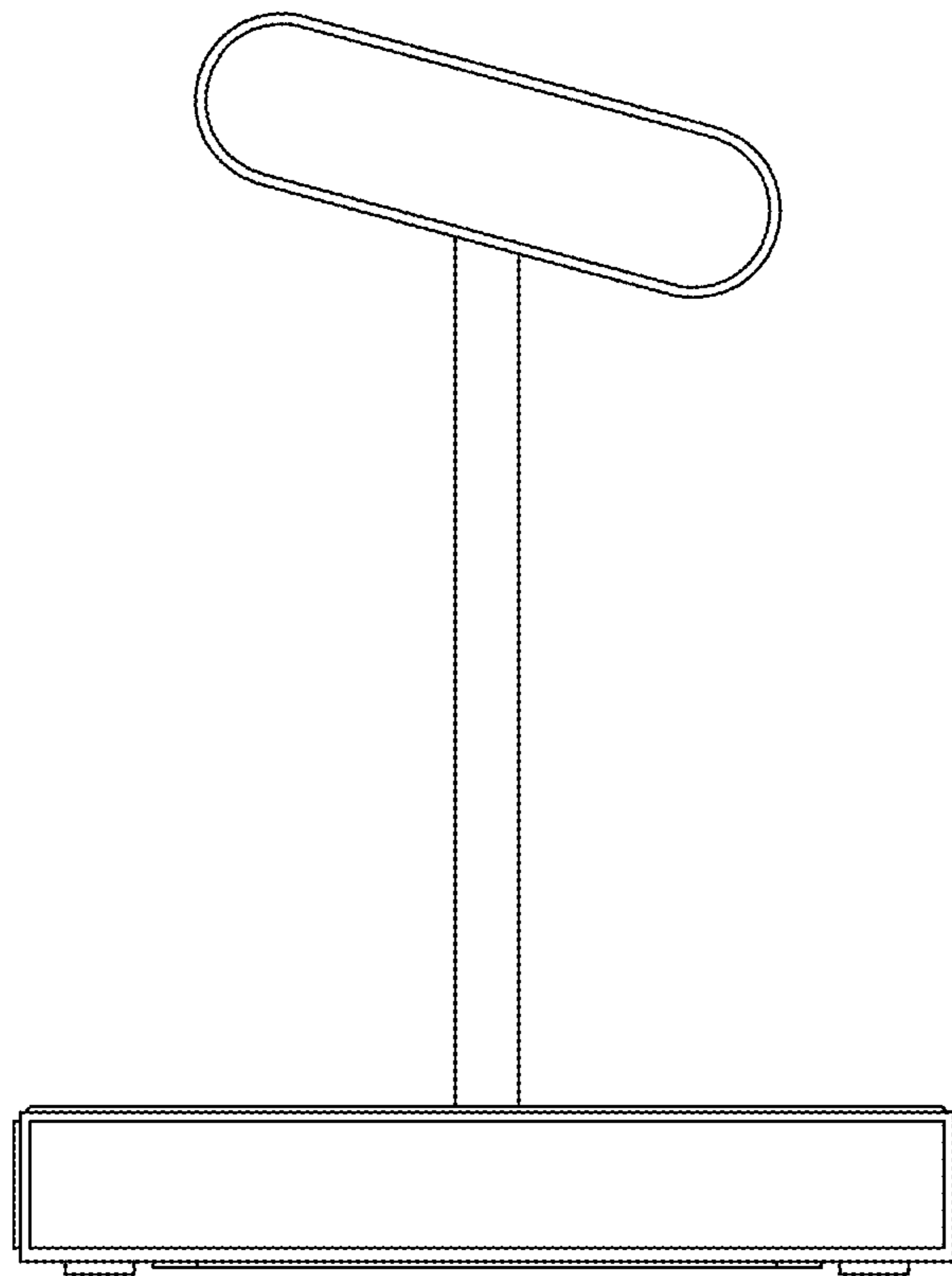


FIG. 1.6

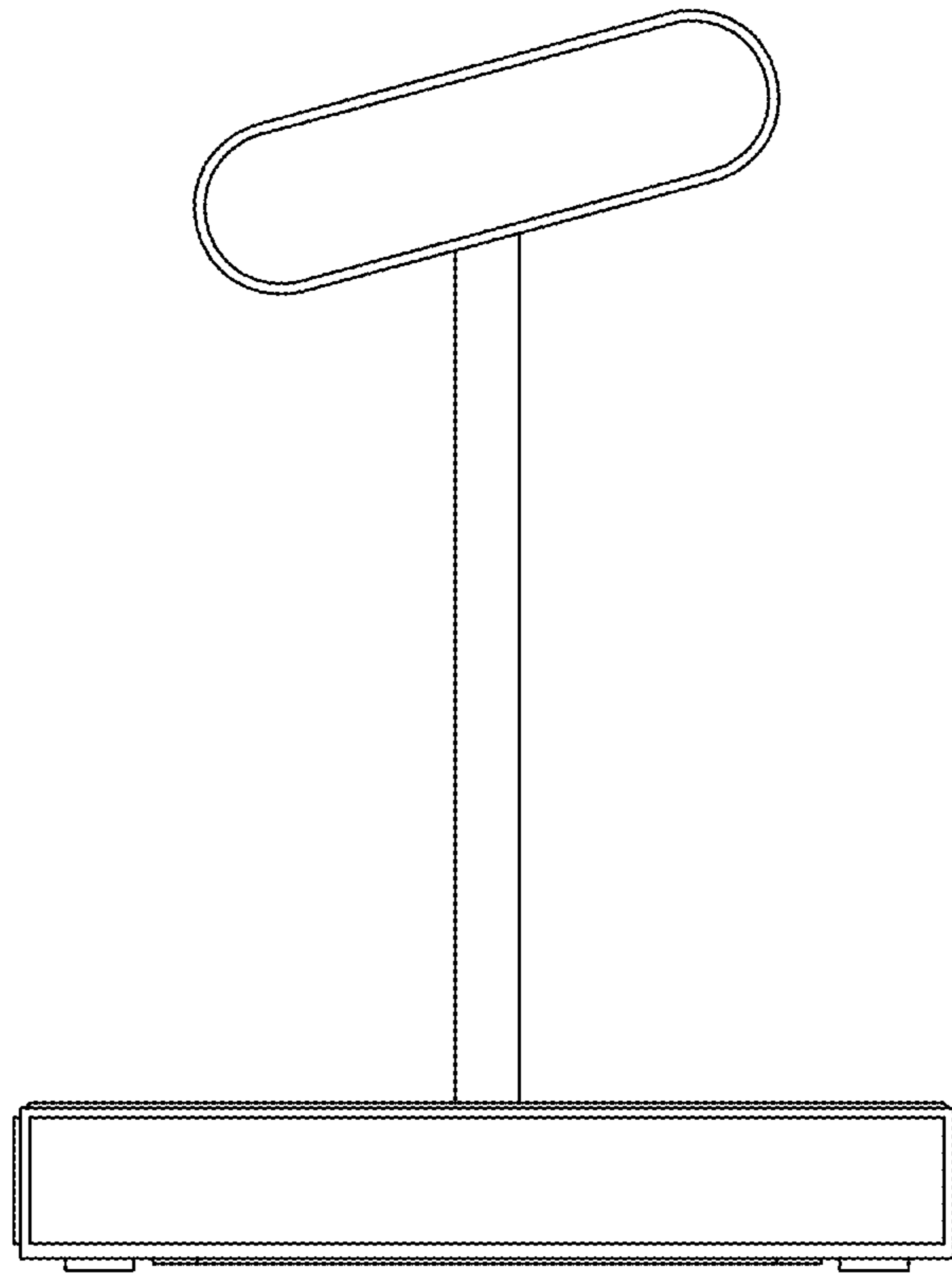


FIG.1.7