



US00D948252S

(12) **United States Design Patent** (10) **Patent No.:** **US D948,252 S**
Egger (45) **Date of Patent:** **** Apr. 12, 2022**

(54) **STAND FOR AUDIOVISUAL APPARATUS**
(71) Applicant: **YAASA Living AG**, St. Gallen (CH)
(72) Inventor: **Stephan Egger**, Speicher (CH)
(73) Assignee: **YAASA LIVING AG**, St. Gallen (CH)
(**) Term: **15 Years**

Primary Examiner — Steven J Czyz
(74) *Attorney, Agent, or Firm* — Fitch, Even, Tabin & Flannery, LLP

(21) Appl. No.: **29/697,114**
(22) Filed: **Jul. 3, 2019**

(57) **CLAIM**

The ornamental design for a stand for audiovisual apparatus, as shown and described.

(30) **Foreign Application Priority Data**

Jan. 4, 2019	(EM)	005948080-0001
Jan. 4, 2019	(EM)	005948080-0002
Jan. 4, 2019	(EM)	005948080-0003
Jan. 4, 2019	(EM)	005948080-0004
Jan. 4, 2019	(EM)	005948080-0005
Jan. 4, 2019	(EM)	005948080-0006
Jan. 4, 2019	(EM)	005948080-0007
Jan. 4, 2019	(EM)	005948080-0008
Jan. 4, 2019	(EM)	005948080-0009

(Continued)

(51) **LOC (13) Cl.** **20-02**

(52) **U.S. Cl.**
USPC **D6/681**

(58) **Field of Classification Search**
USPC D6/656, 656.11, 656.12, 656.13, 656.15,
D6/672, 681, 681.1, 681.2, 700, 701;
D17/99; D20/10, 21, 41

(Continued)

(56) **References Cited**

U.S. PATENT DOCUMENTS

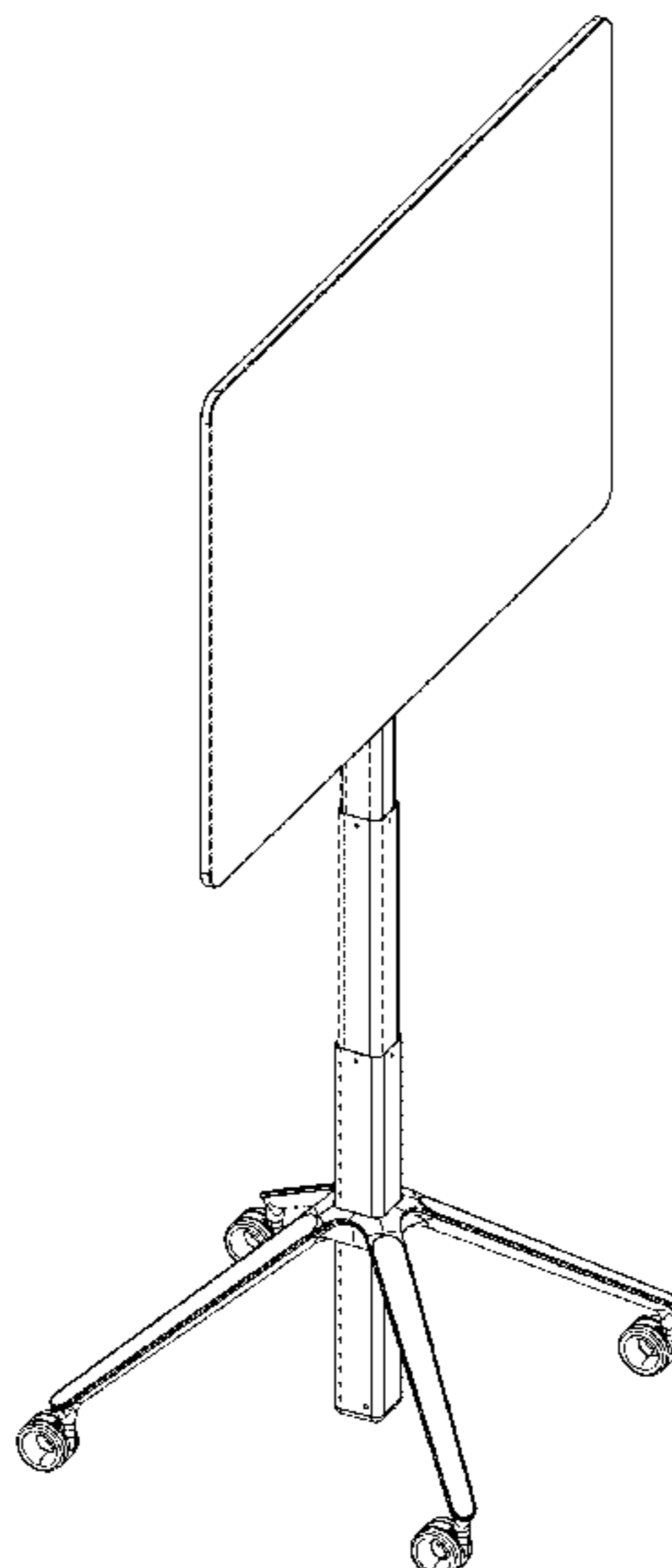
641,522 A *	1/1900	Leger et al.	G09F 3/20
				40/651
D219,033 S *	10/1970	Salsgiver et al.	D6/656.11

(Continued)

DESCRIPTION

FIG. 1 is a perspective view of the stand for audiovisual apparatus design according to another approach; FIG. 2 is a front view of the design shown in FIG. 1; FIG. 3 is a rear view of the design shown in FIG. 1; FIG. 4 is a top view of the design shown in FIG. 1; FIG. 5 is a bottom view of the design shown in FIG. 1; FIG. 6 is a left-side view of the design shown in FIG. 1; FIG. 7 is a right-side view of the design shown in FIG. 1; FIG. 8 is a perspective view of the stand for audiovisual apparatus design according to another approach; FIG. 9 is a front view of the design shown in FIG. 8; FIG. 10 is a rear view of the design shown in FIG. 8; FIG. 11 is a top view of the design shown in FIG. 8; FIG. 12 is a bottom view of the design shown in FIG. 8; FIG. 13 is a left-side view of the design shown in FIG. 8; FIG. 14 is a right-side view of the design shown in FIG. 8; FIG. 15 is a perspective view of the stand for audiovisual apparatus design according to another approach; FIG. 16 is a front view of the design shown in FIG. 15; FIG. 17 is a rear view of the design shown in FIG. 15; FIG. 18 is a top view of the design shown in FIG. 15; FIG. 19 is a bottom view of the design shown in FIG. 15; FIG. 20 is a left-side view of the design shown in FIG. 15; and, FIG. 21 is a right-side view of the design shown in FIG. 15. The broken lines in the drawings are for the purpose of illustrating portions of stand for audiovisual apparatus that form no part of the claimed design.

1 Claim, 21 Drawing Sheets



(30) Foreign Application Priority Data

Jan. 4, 2019 (EM) 005948080-0010
 Jan. 4, 2019 (EM) 005948080-0011
 Jan. 4, 2019 (EM) 005948080-0012
 Jan. 4, 2019 (EM) 005948080-0013
 Jan. 4, 2019 (EM) 005948080-0014
 Jan. 4, 2019 (EM) 005948080-0015
 Jan. 4, 2019 (EM) 005948080-0016
 Jan. 4, 2019 (EM) 005948080-0017
 Jan. 4, 2019 (EM) 005948080-0018

(58) Field of Classification Search

CPC . A47B 13/081; A47B 9/20; A47B 2200/0042;
 A47B 41/04; A47B 19/06; A47B 13/023;
 A47B 19/00; A47B 2019/008; A47B
 21/02; A47B 2200/0051; A47B
 2200/0062; A47B 2200/0077; F16M
 11/00; F16M 11/06; F16M 11/26; F16M
 11/28

See application file for complete search history.

(56) References Cited

U.S. PATENT DOCUMENTS

D296,851 S * 7/1988 Kelley D6/656.11
 D333,933 S * 3/1993 Feinbloom D6/681
 D388,262 S * 12/1997 Benting D17/99
 D433,581 S * 11/2000 Miller D6/700
 D463,168 S * 9/2002 Goodworth D6/650
 D463,687 S * 10/2002 Goodworth D6/656.15
 D478,343 S * 8/2003 Heid D17/99
 D535,109 S * 1/2007 Palmer G09F 3/20
 D548,496 S * 8/2007 Samtani D6/656.13
 D578,324 S * 10/2008 Glass D6/708
 D581,704 S * 12/2008 Hwang D6/656.13
 D598,217 S * 8/2009 Bode A47B 9/20
 D639,088 S * 6/2011 Rodgers D20/10
 D677,075 S * 3/2013 Rodgers D6/672
 D693,152 S * 11/2013 Yamamoto D6/656.15
 D694,044 S * 11/2013 Copeland D6/656.15

D723,311 S * 3/2015 Jiang D6/681
 D730,087 S * 5/2015 Strater D6/656.13
 9,144,300 B2 * 9/2015 Cotey A47B 3/0815
 D759,994 S * 6/2016 Lin D6/656.13
 D770,814 S * 11/2016 Davidson D6/656.15
 D782,232 S * 3/2017 Procter A47B 13/08
 D789,121 S * 6/2017 Laskowitz A47B 13/023
 D794,362 S * 8/2017 Procter F16M 11/28
 9,720,444 B2 * 8/2017 Holden A47B 13/081
 D804,865 S * 12/2017 Laskowitz D6/681.1
 D815,476 S * 4/2018 Procter D6/700
 9,949,561 B2 * 4/2018 Aldrich A47B 21/04
 D819,370 S * 6/2018 Lenhart D6/656.13
 10,182,648 B1 * 1/2019 Lai A47B 9/20
 D840,178 S * 2/2019 Herring D6/656
 D847,541 S * 5/2019 Yamamoto D6/656
 D849,455 S * 5/2019 Sakakibara D6/656
 10,299,584 B2 * 5/2019 Leier A47B 17/03
 D850,833 S * 6/2019 Gevaert D6/700
 D865,747 S * 11/2019 Sage D14/253
 10,537,172 B2 * 1/2020 Lin A47B 13/023
 D879,513 S * 3/2020 Pei D6/656.15
 10,750,854 B2 * 8/2020 Egger A47B 13/08
 10,813,450 B2 * 10/2020 Albers A47B 9/20
 D901,946 S * 11/2020 Egger D6/656.17
 10,926,983 B2 * 2/2021 Huang A47B 9/10
 D911,757 S * 3/2021 Zhou D6/701
 2003/0094123 A1 * 5/2003 Ulmer A47B 13/023
 2004/0188587 A1 * 9/2004 Michell A47B 19/002
 2006/0016945 A1 * 1/2006 Taylor F16M 11/28
 2006/0272481 A1 * 12/2006 Frank G10H 1/0008
 2009/0050773 A1 * 2/2009 McCarty A47B 19/00
 2013/0015300 A1 * 1/2013 Klinke A61G 7/012
 2015/0189982 A1 * 7/2015 Fitzpatrick F16M 11/10

* cited by examiner

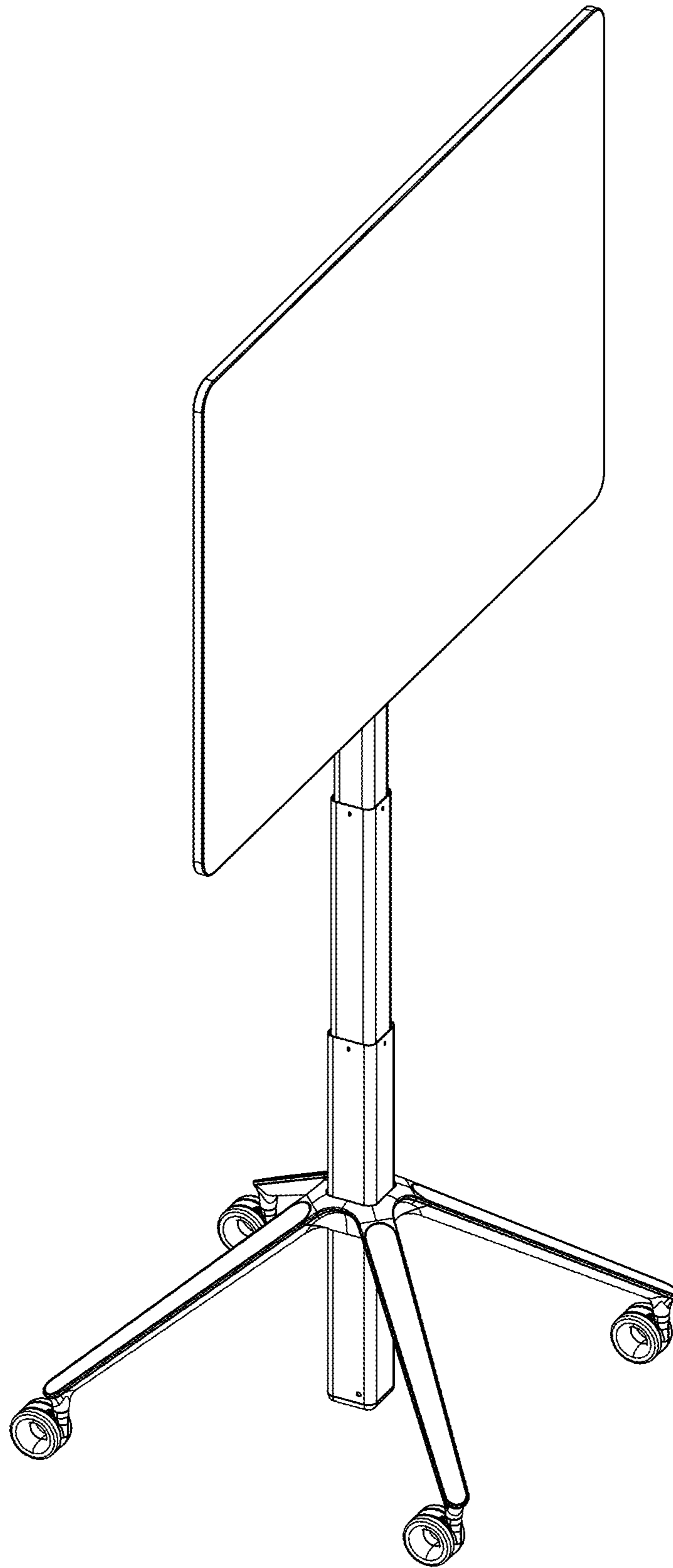


Fig. 1

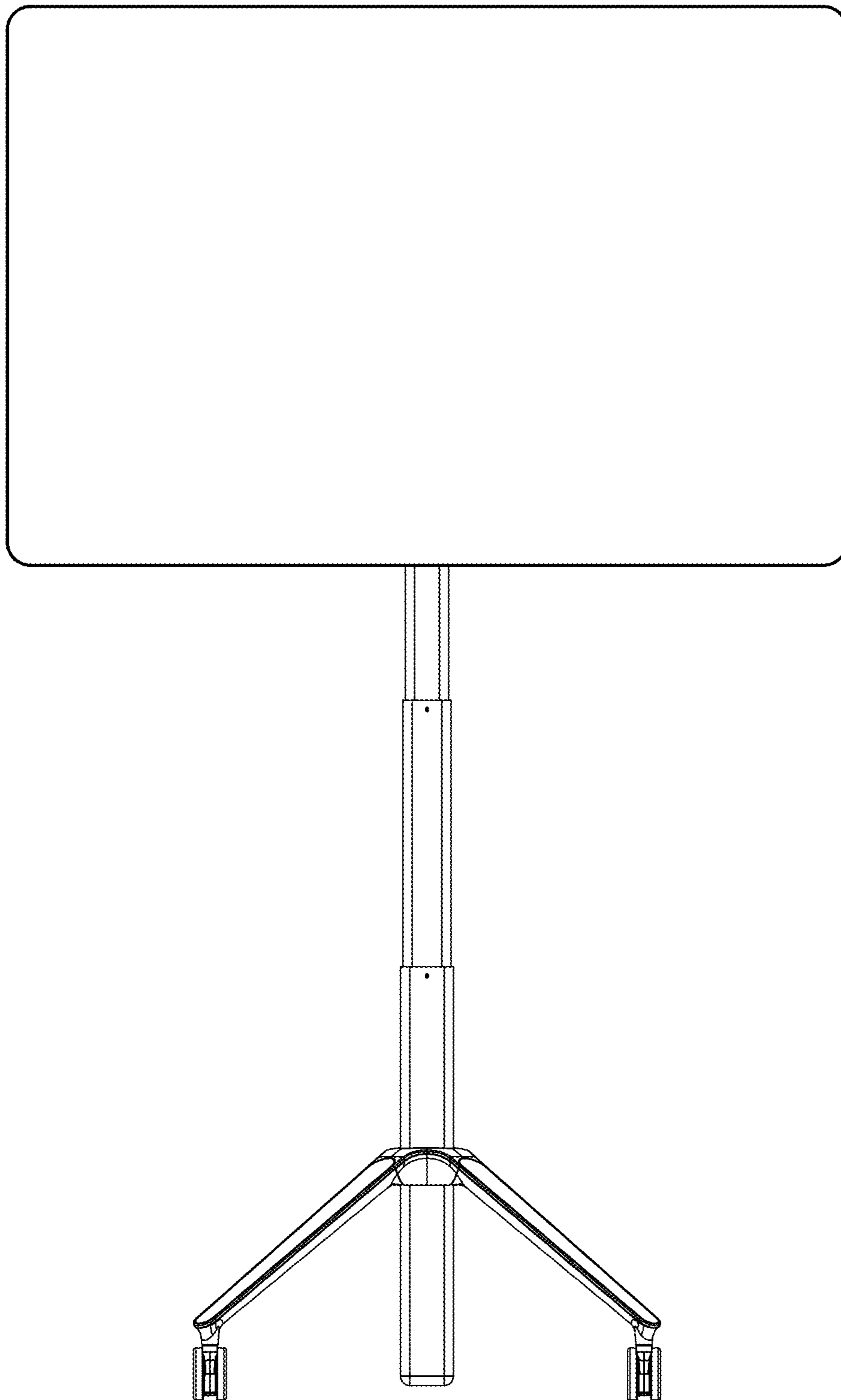


Fig. 2

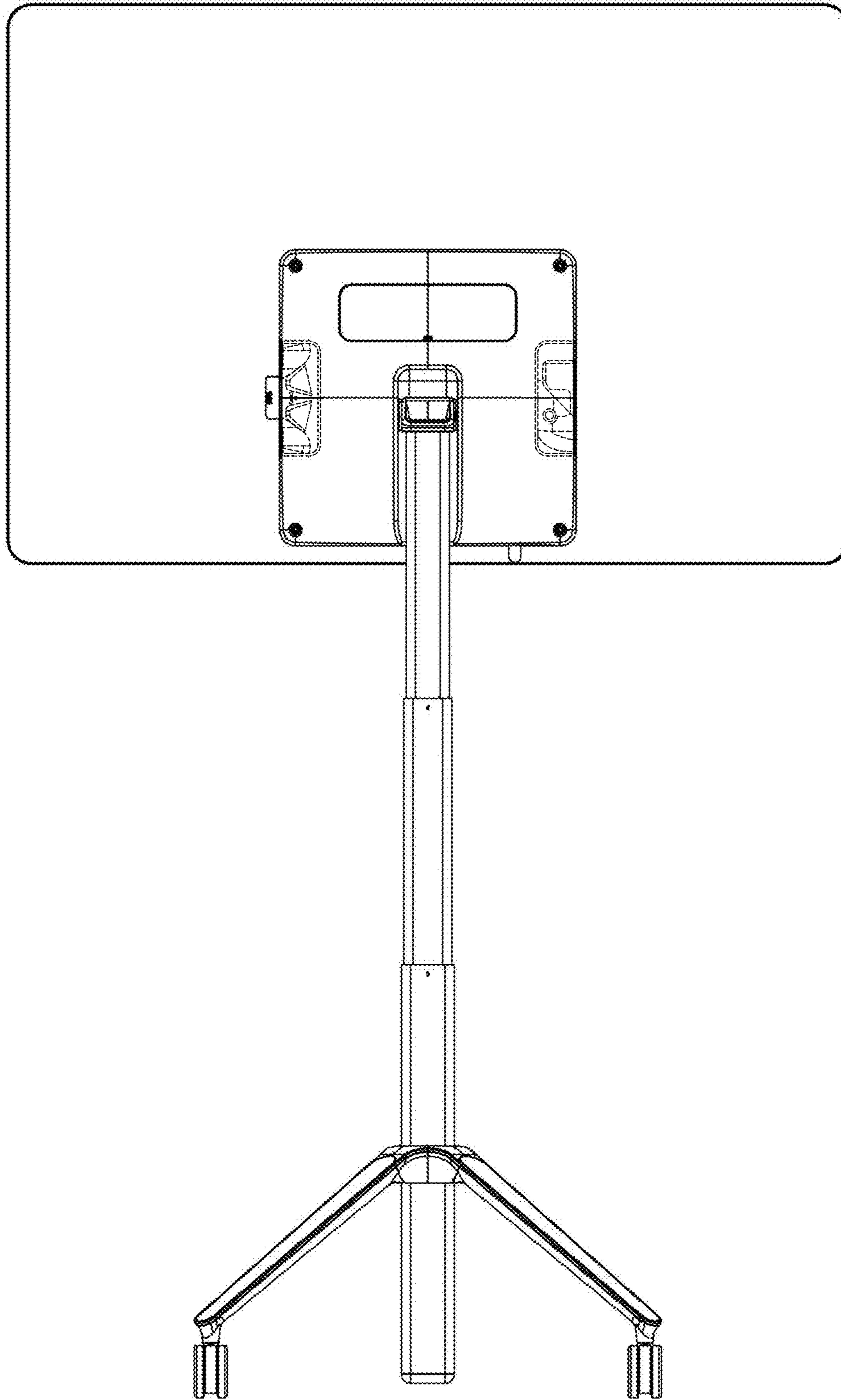


Fig. 3

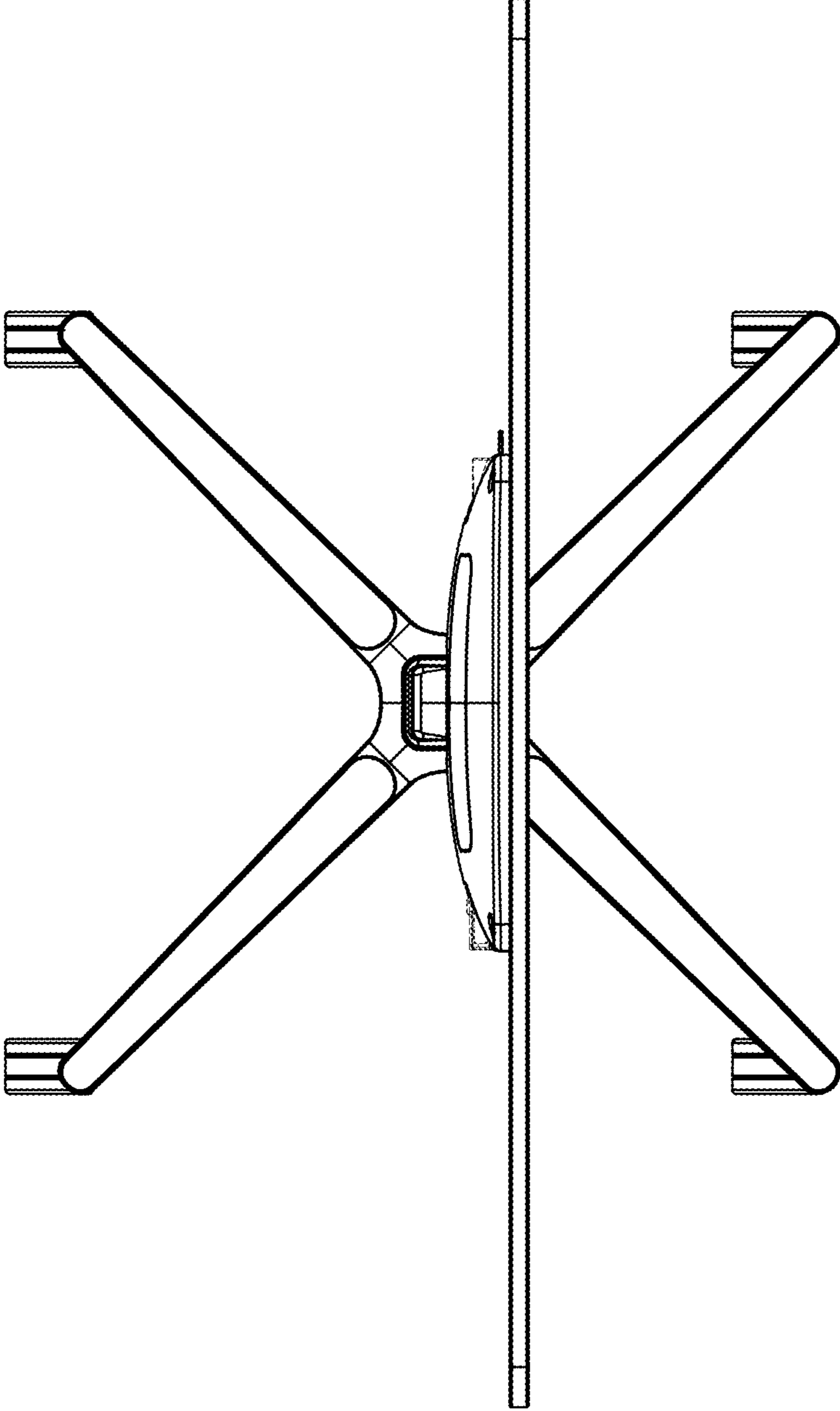


Fig. 4

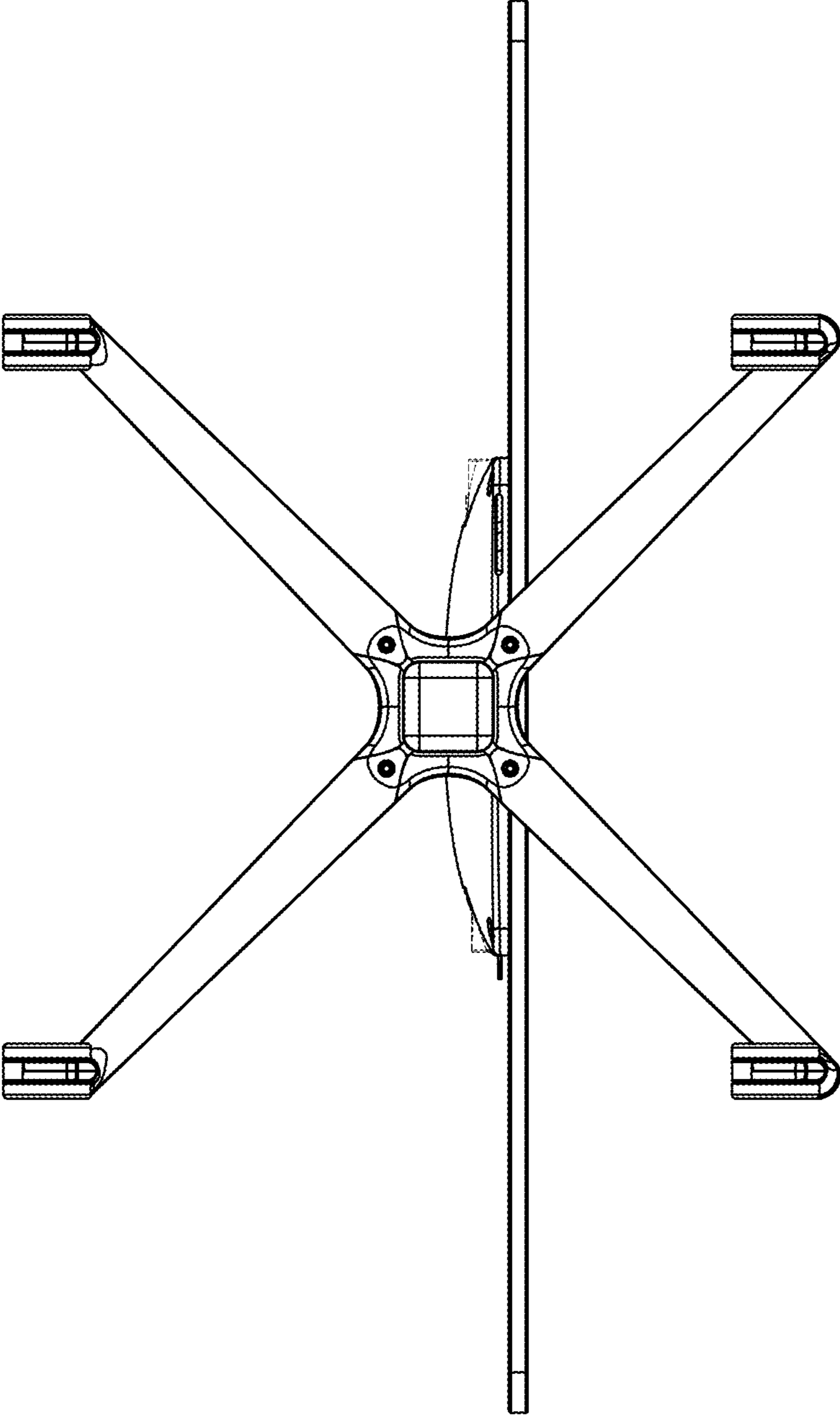


Fig. 5

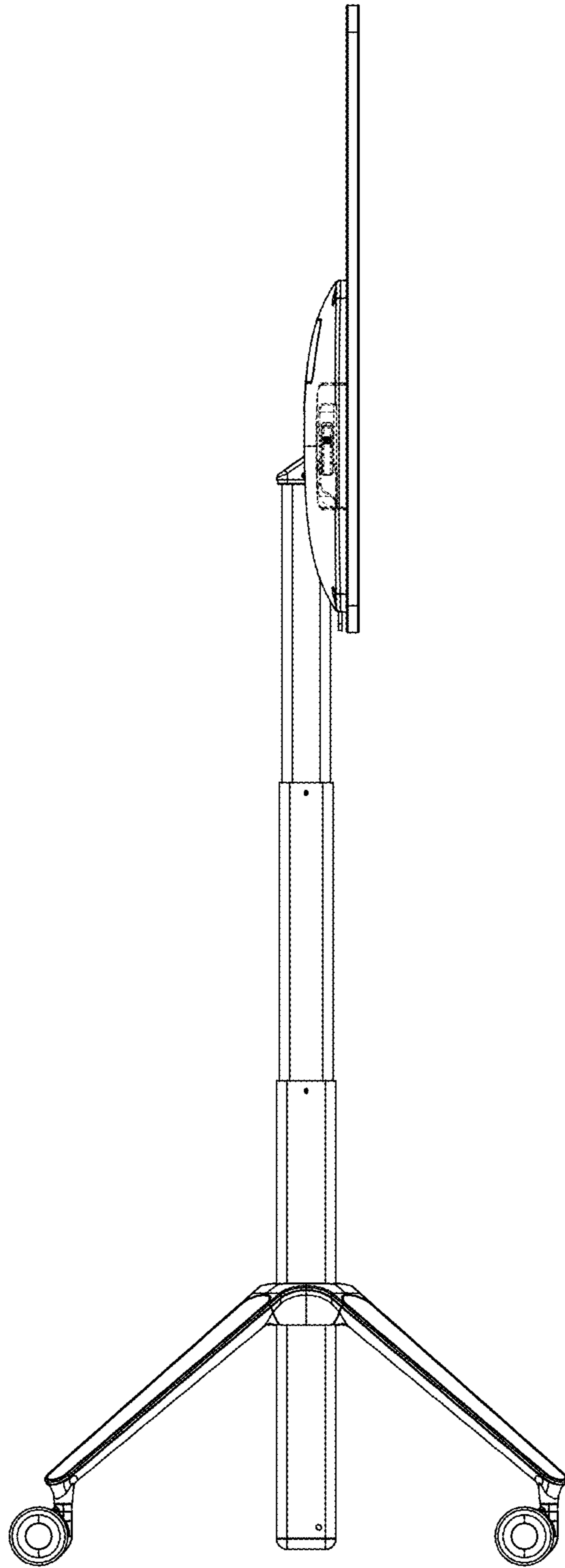


Fig. 6

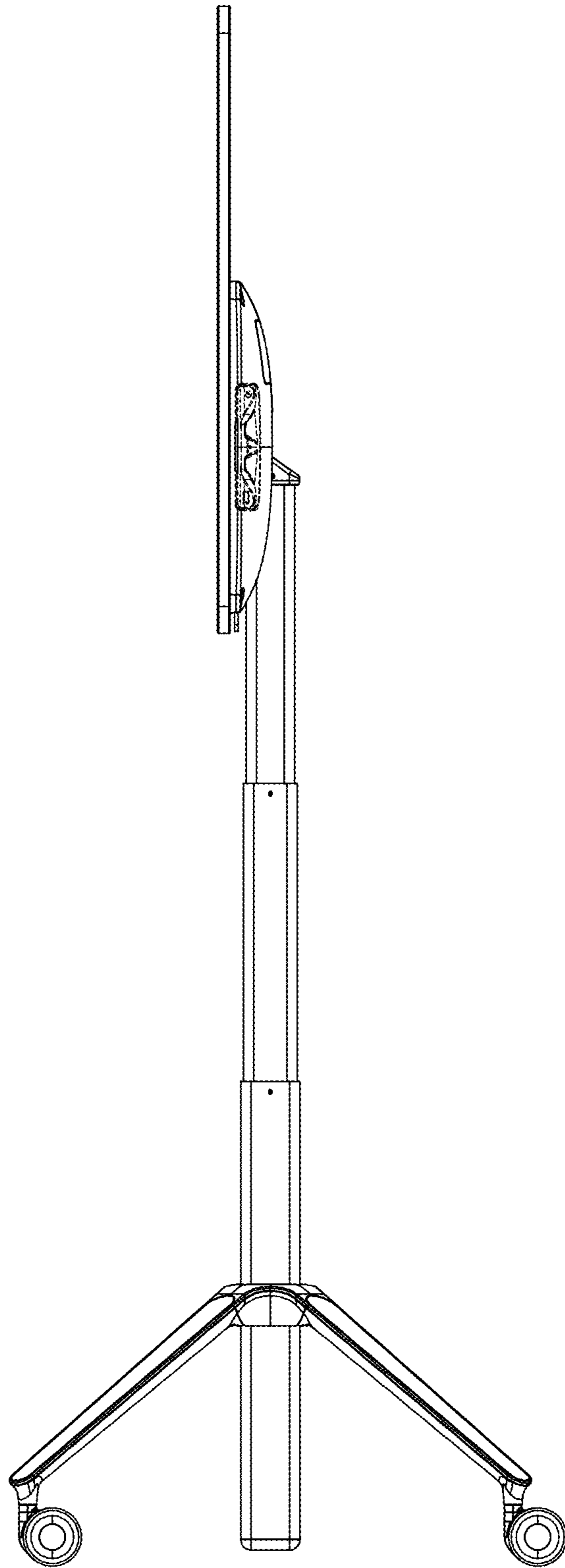


Fig. 7

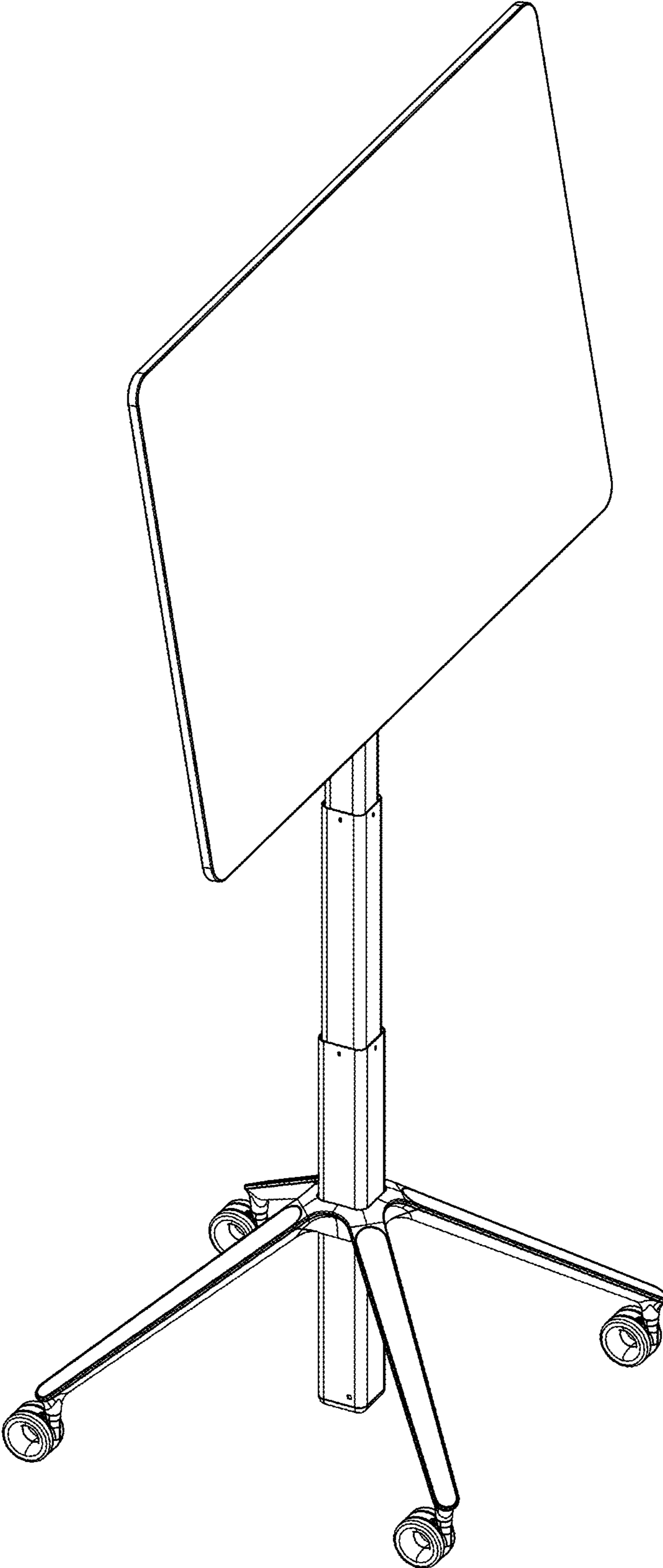


Fig. 8

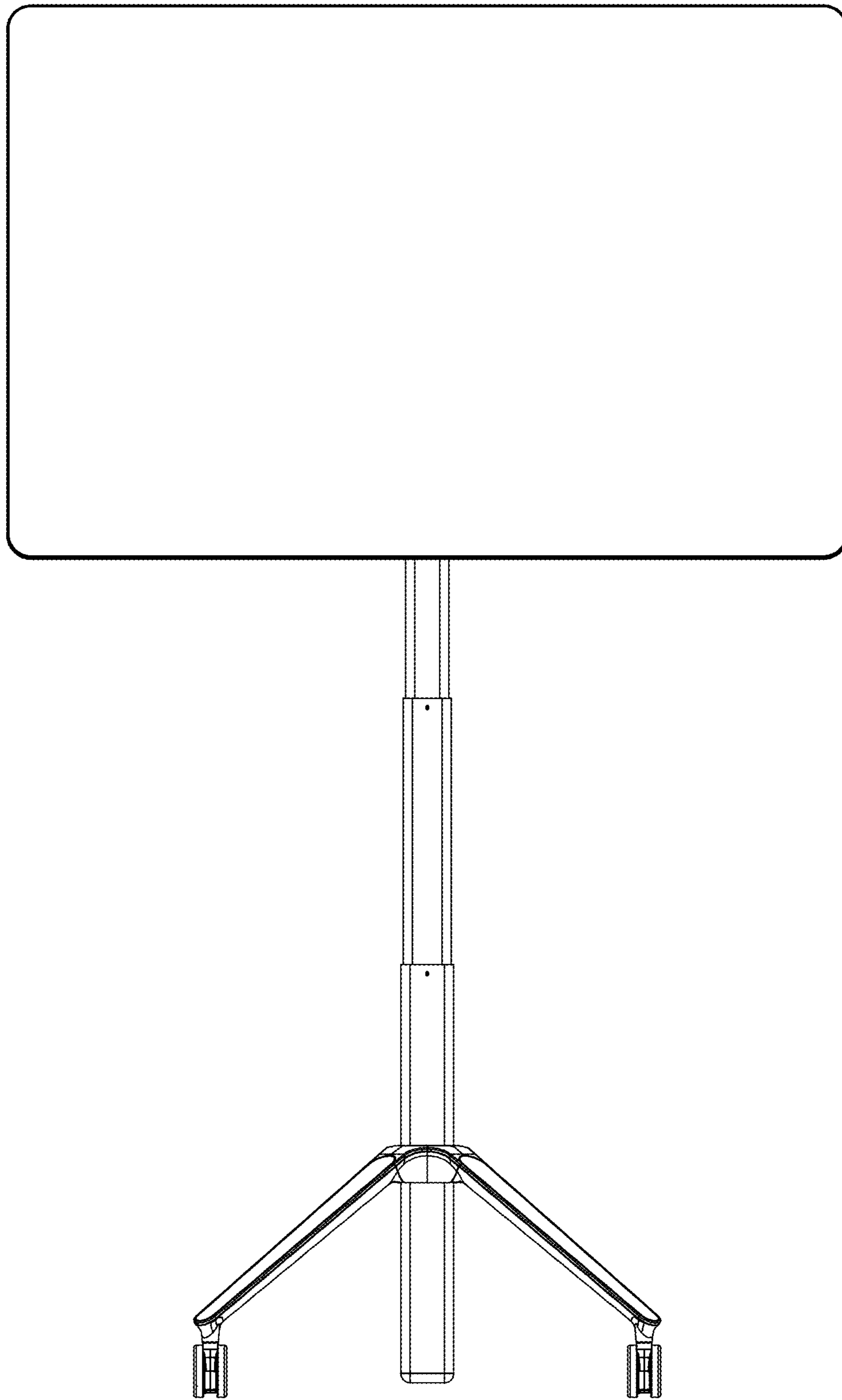


Fig. 9

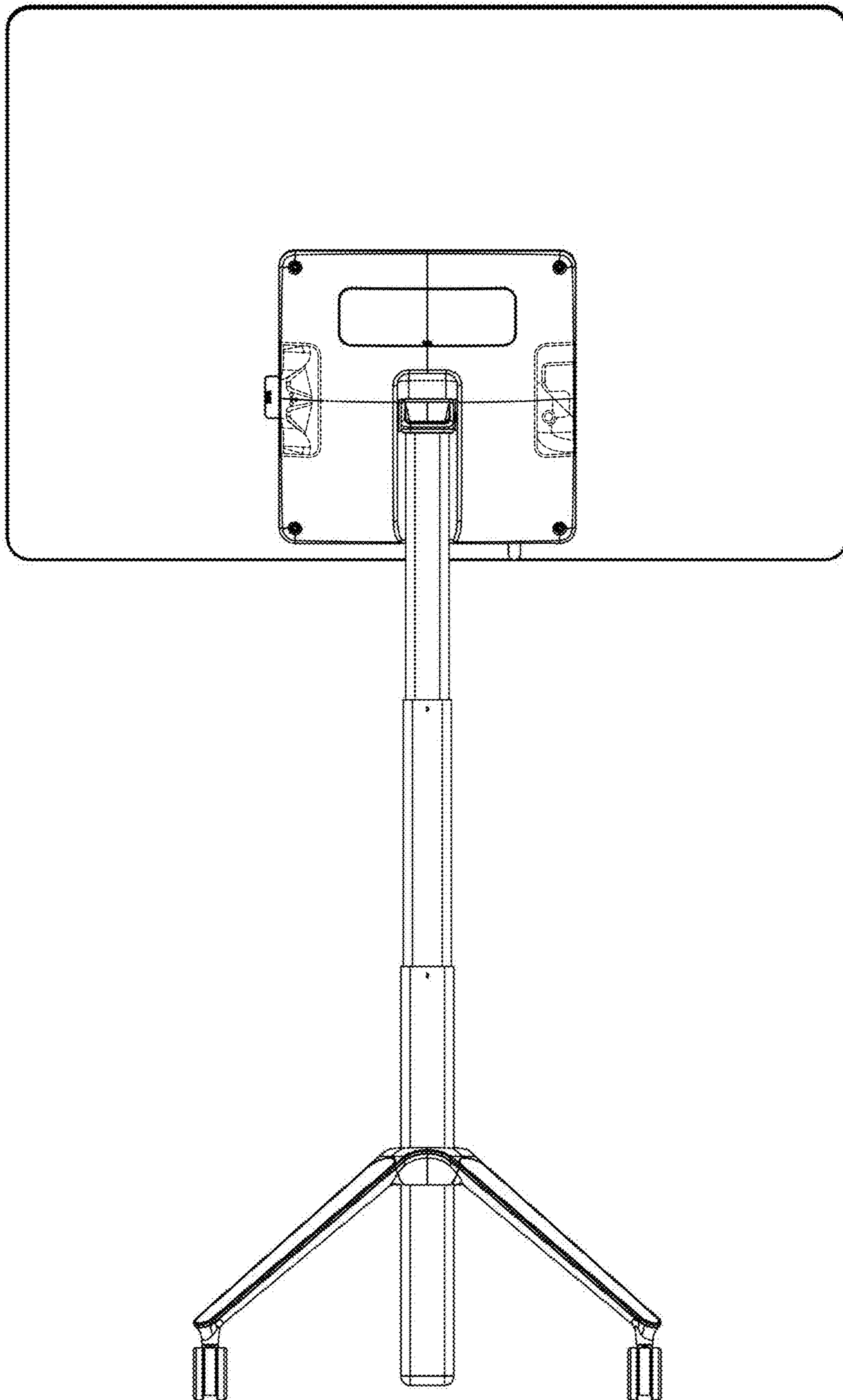


Fig. 10

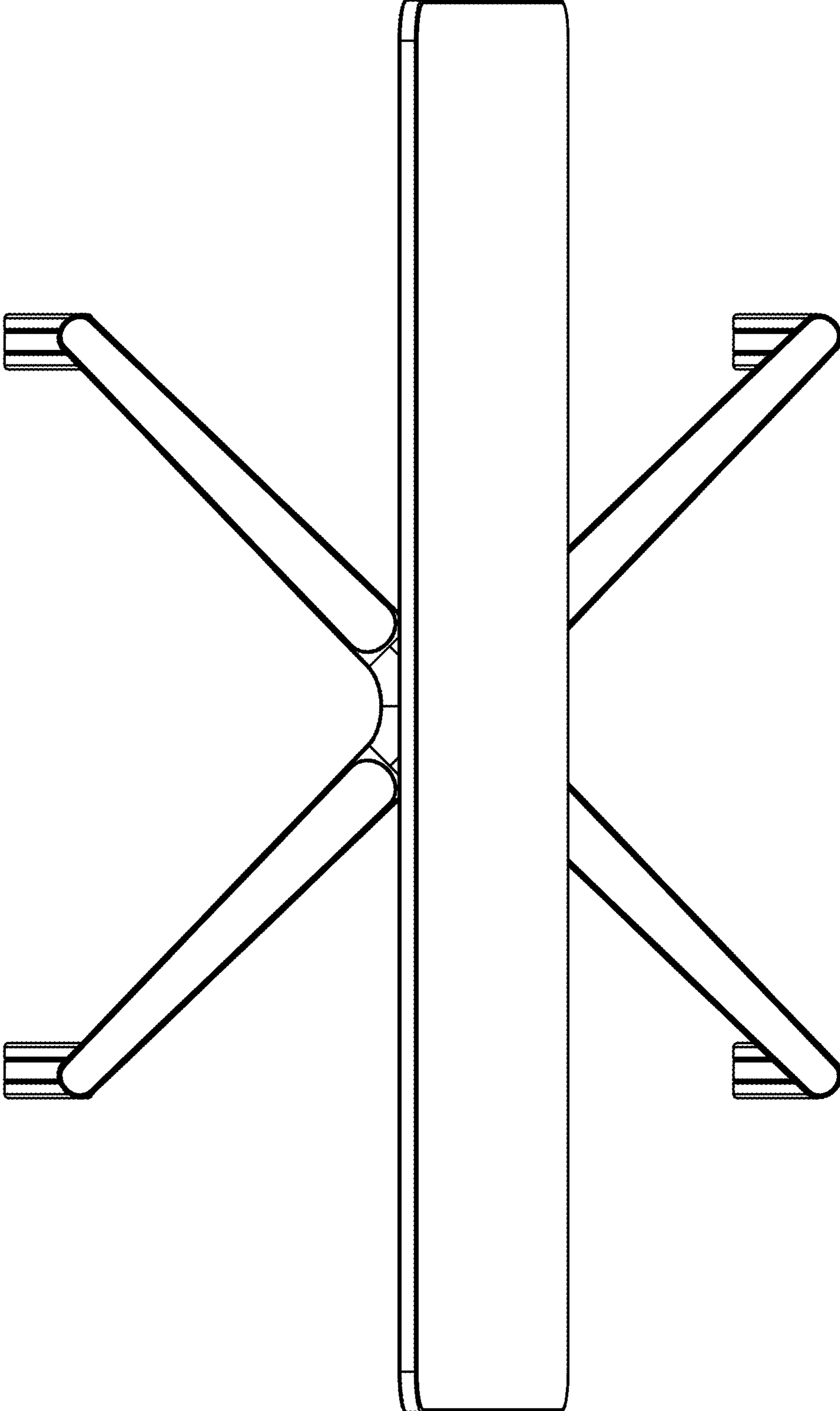


Fig. 11

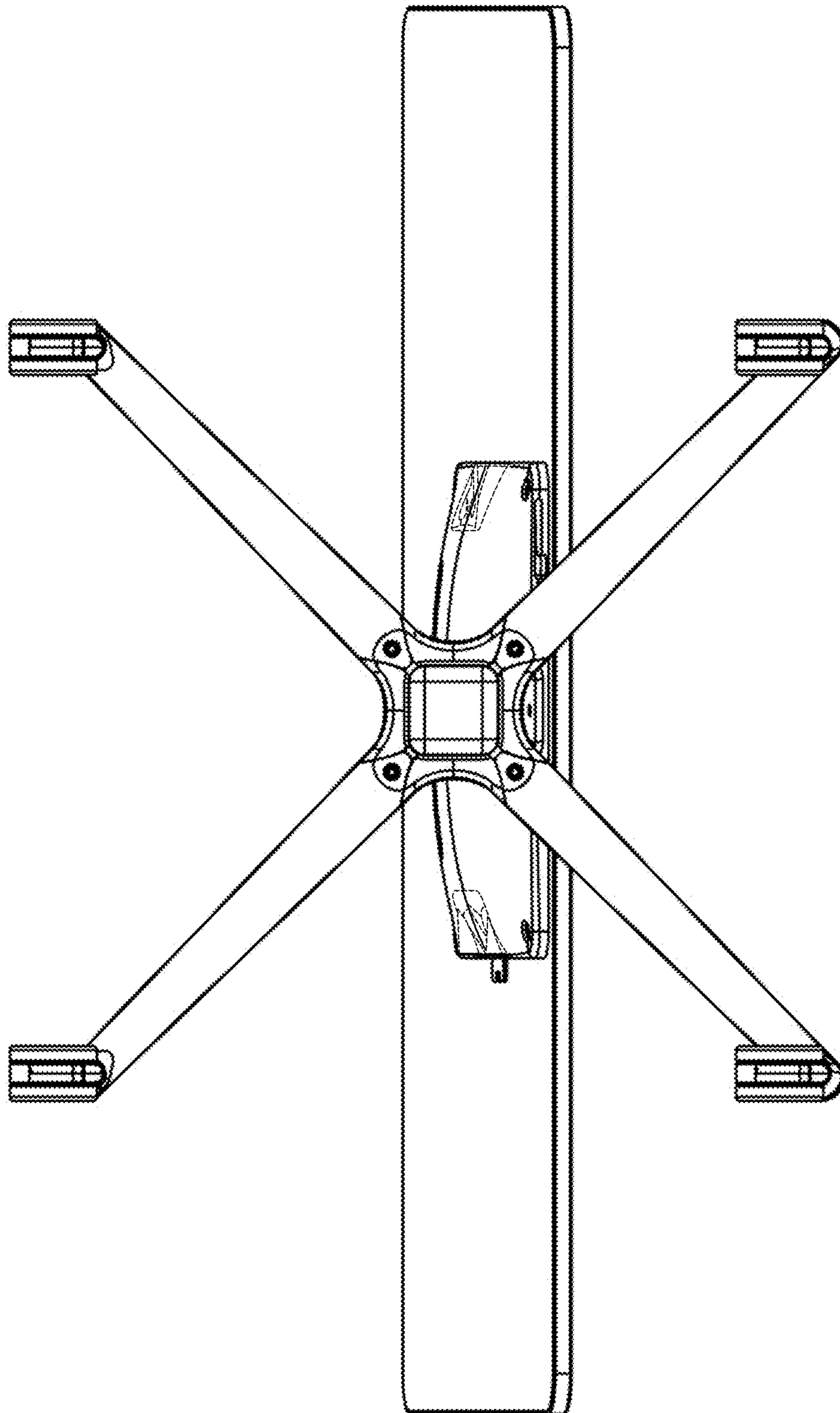


Fig. 12

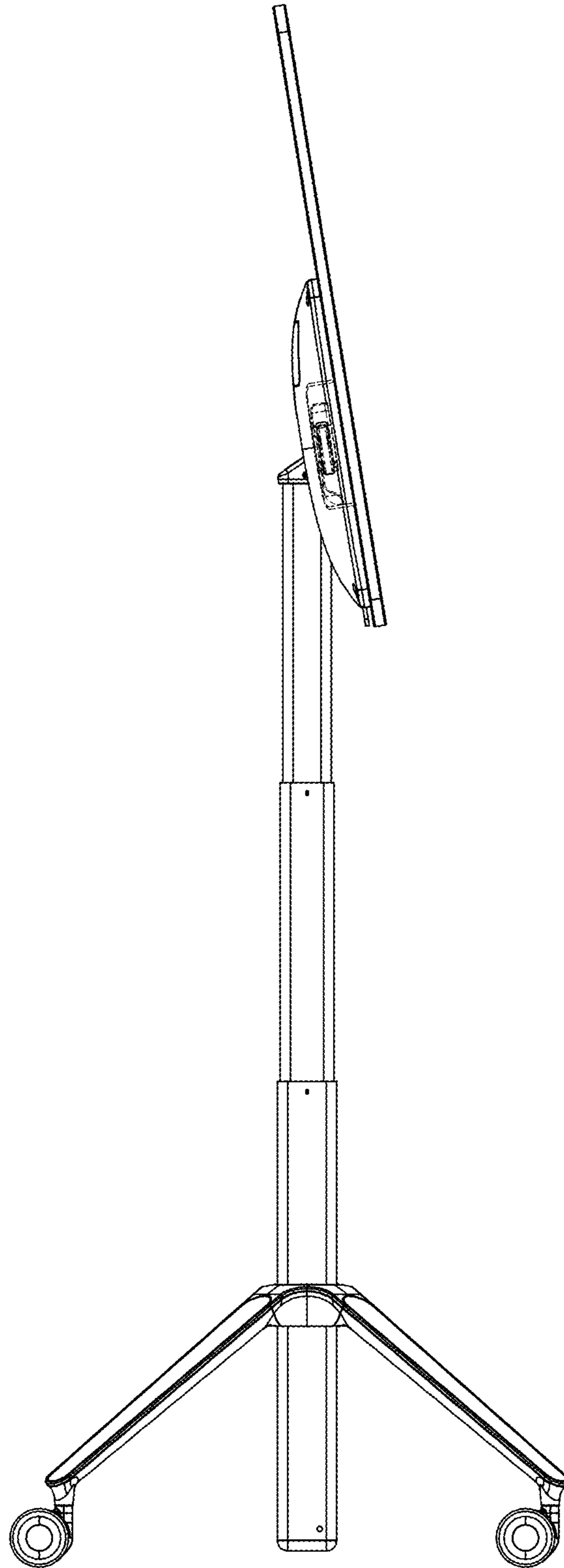


Fig. 13

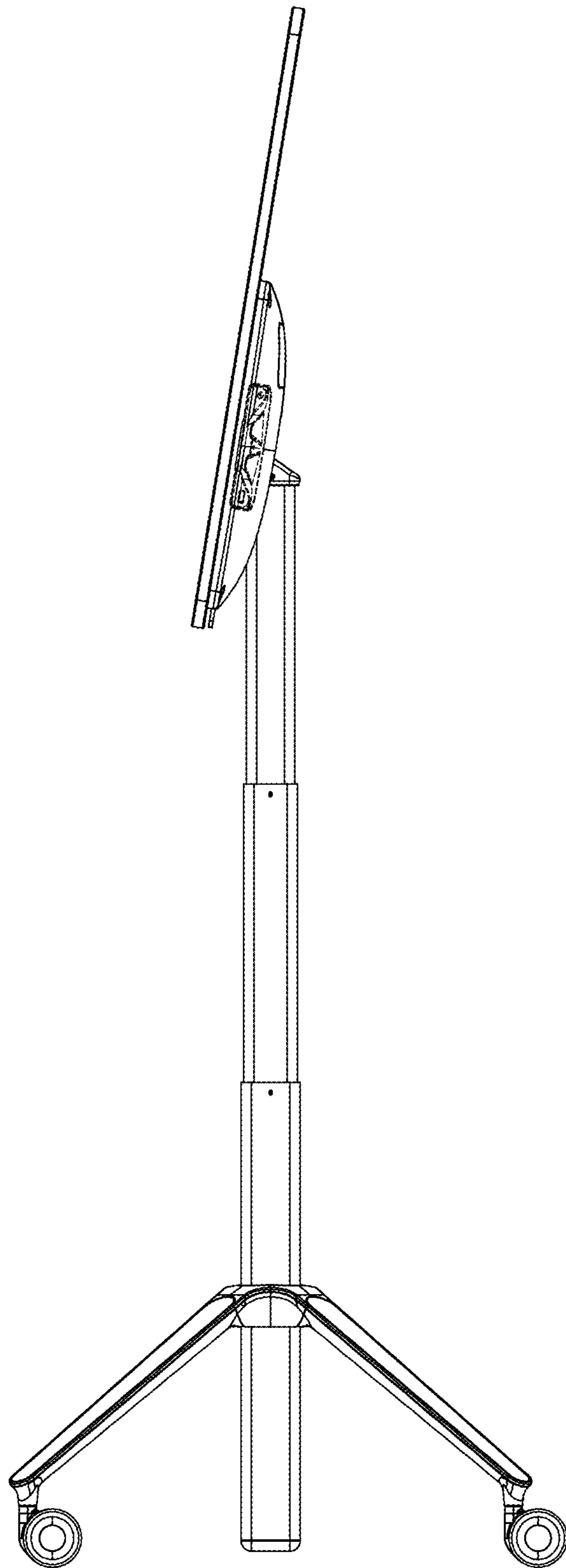


Fig. 14

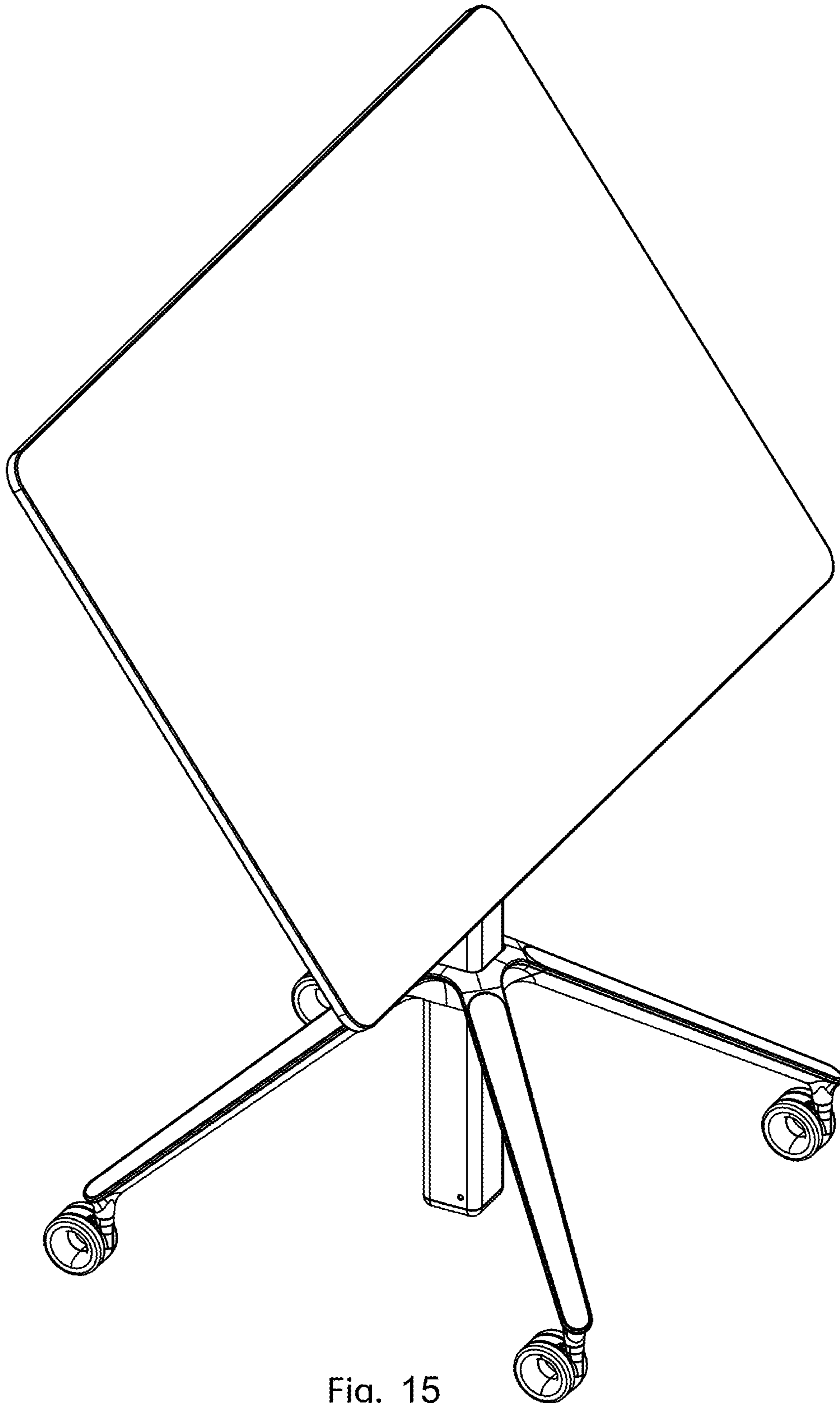


Fig. 15

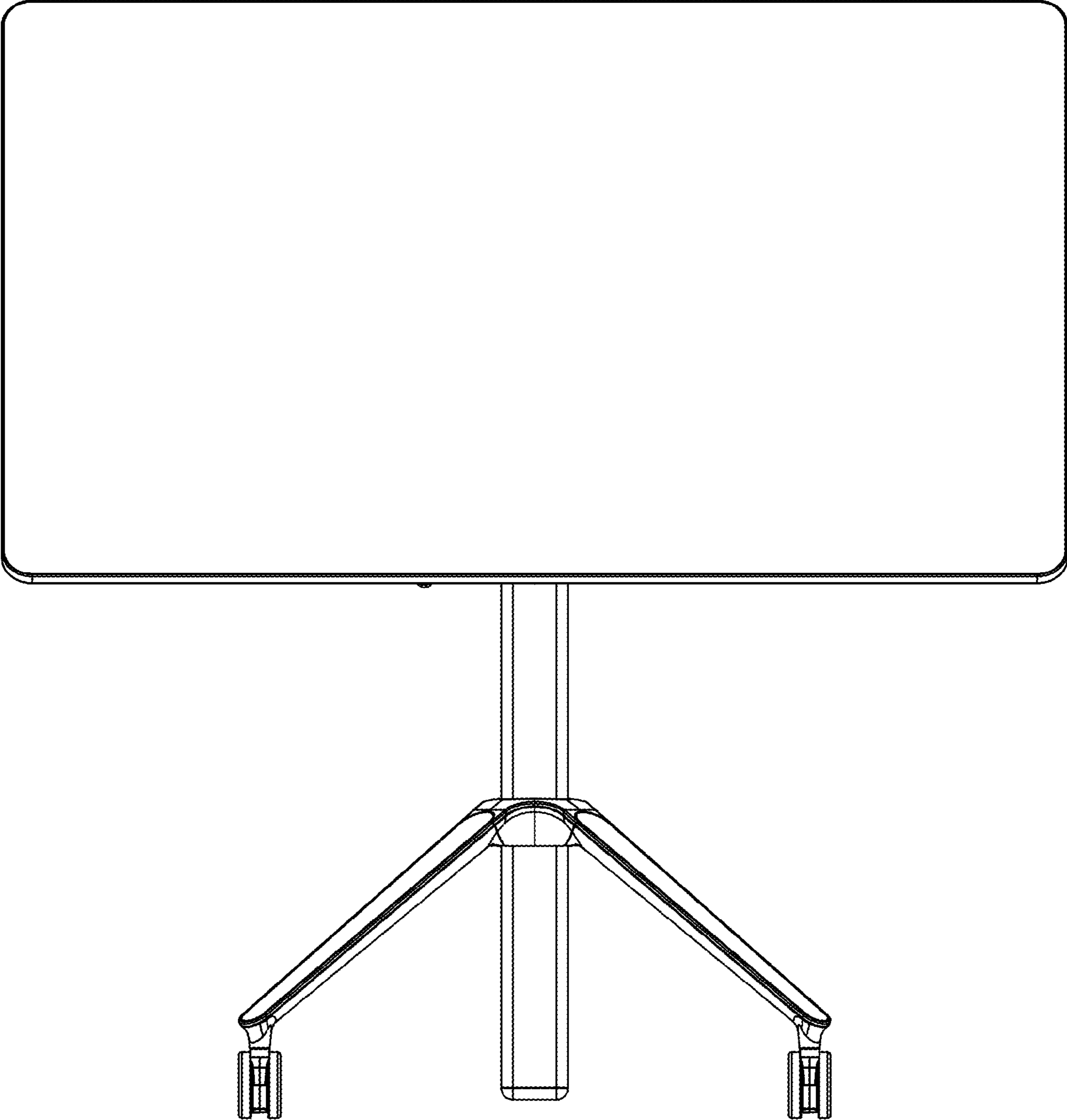


Fig. 16

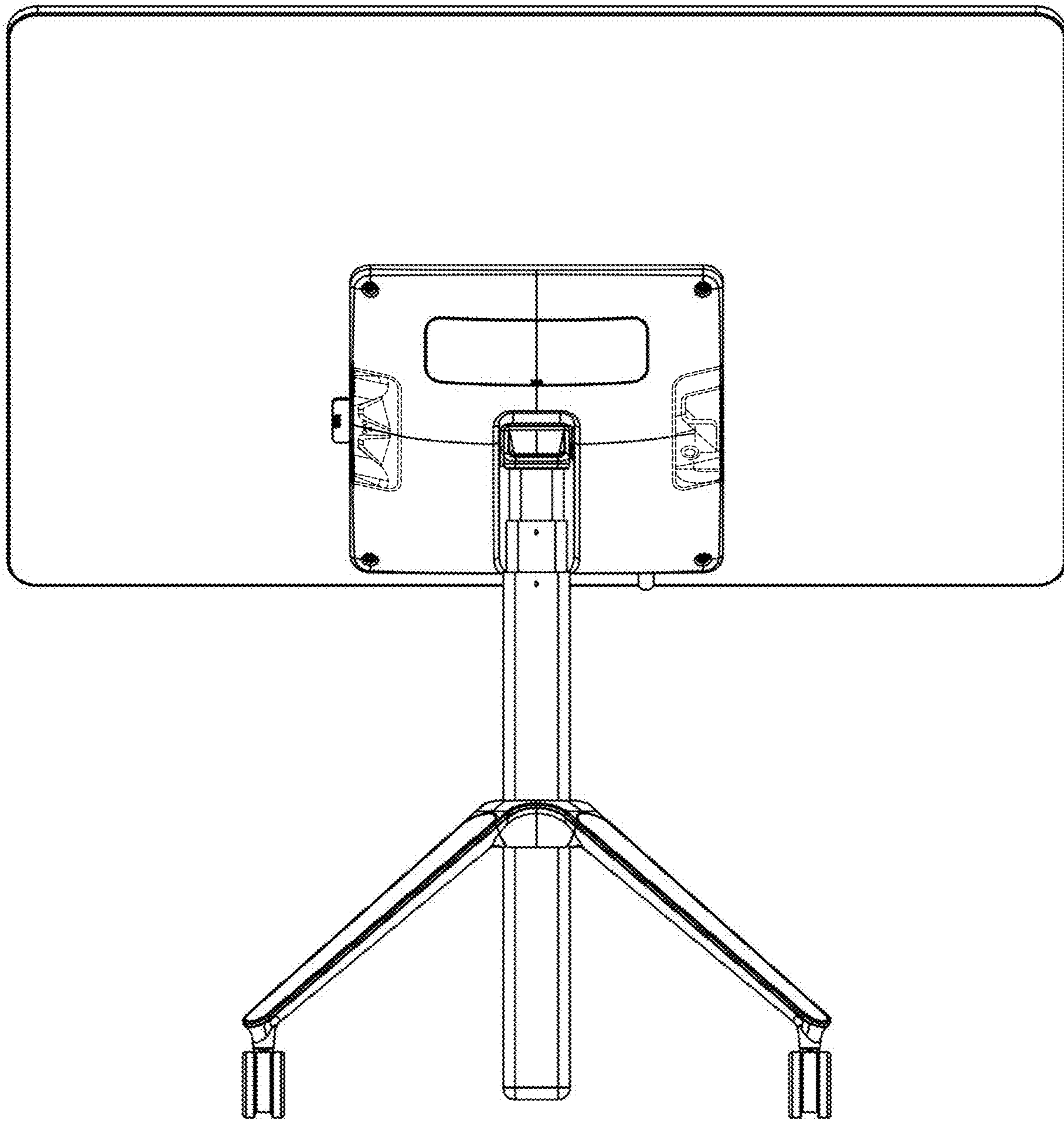


Fig. 17

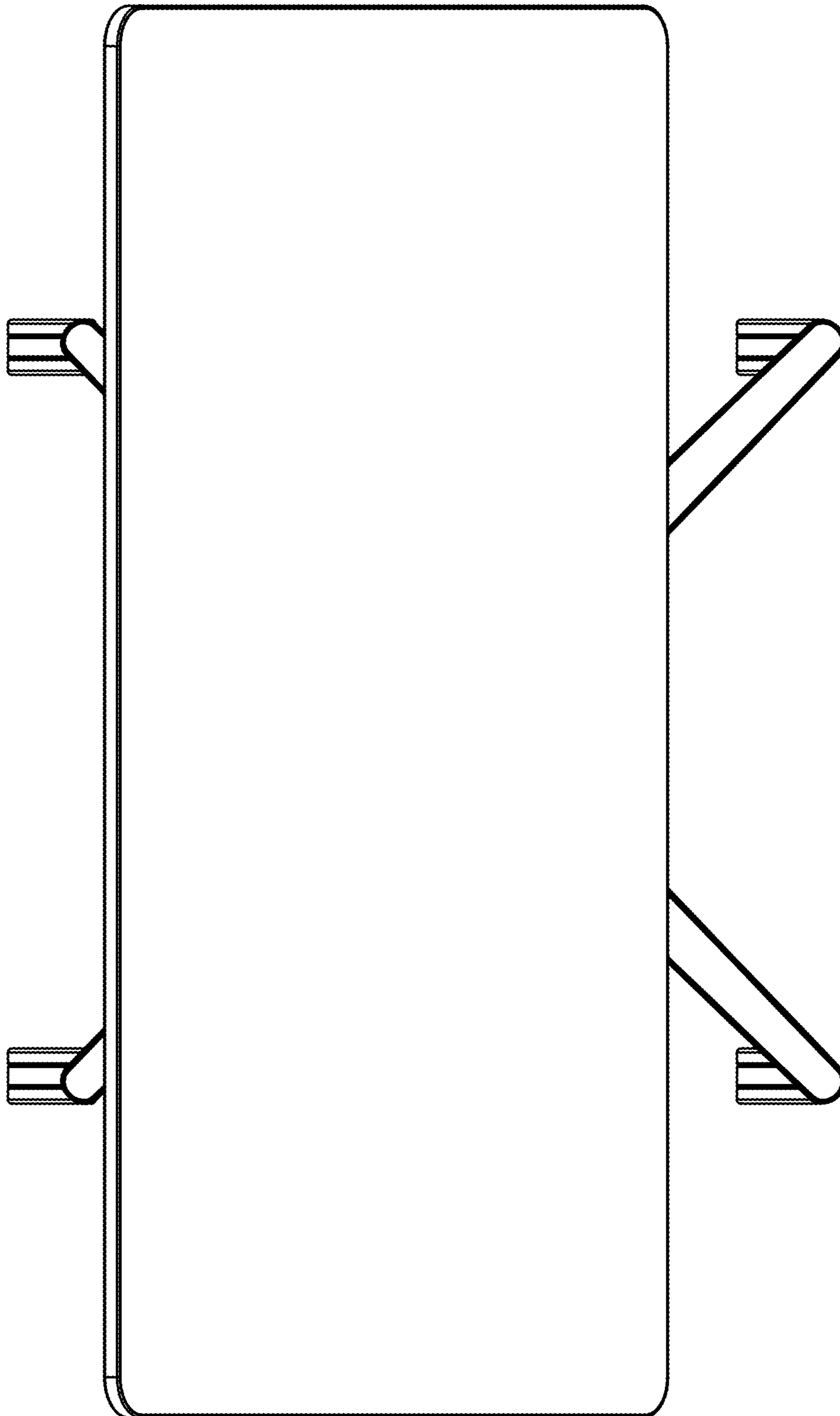


Fig. 18

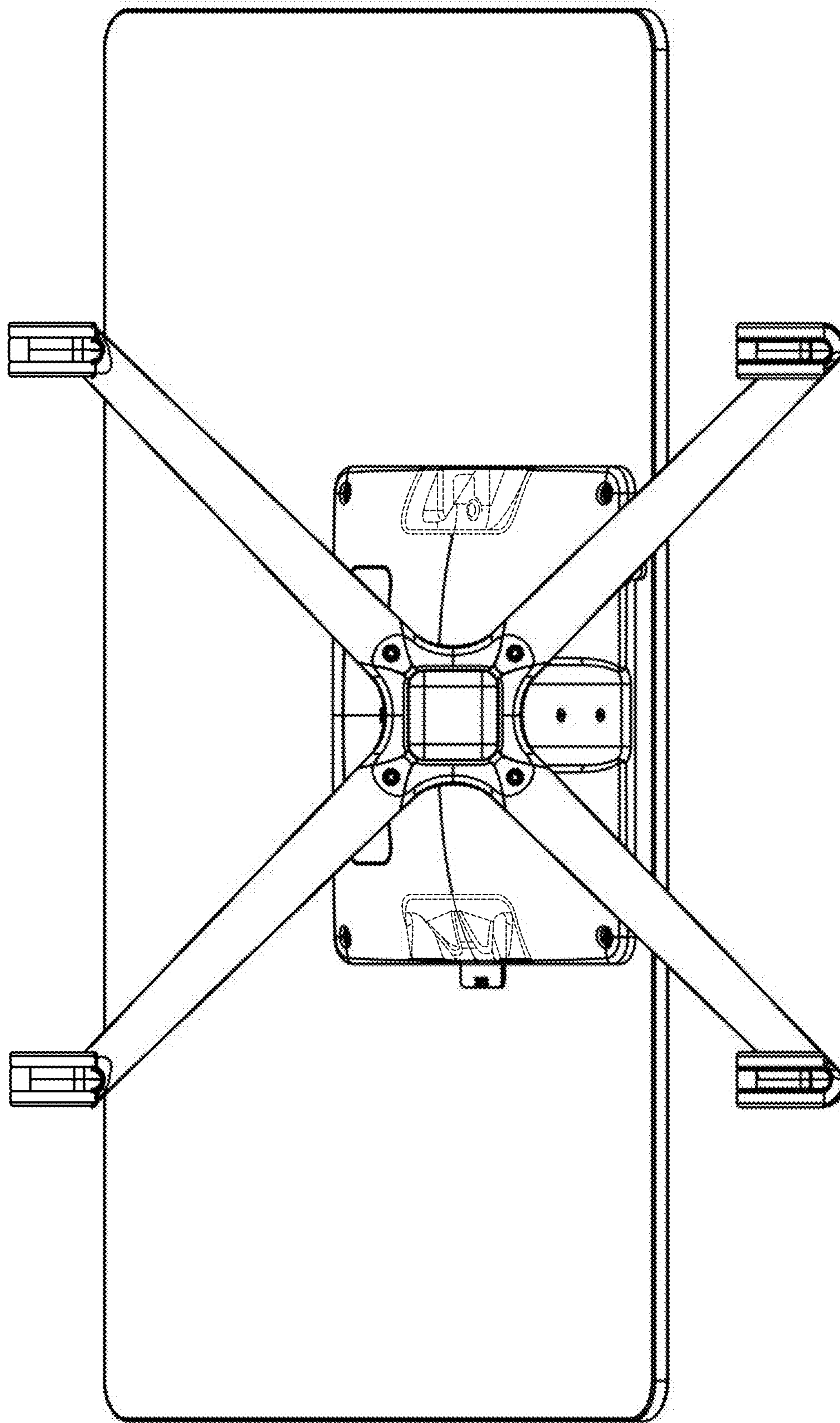


Fig. 19

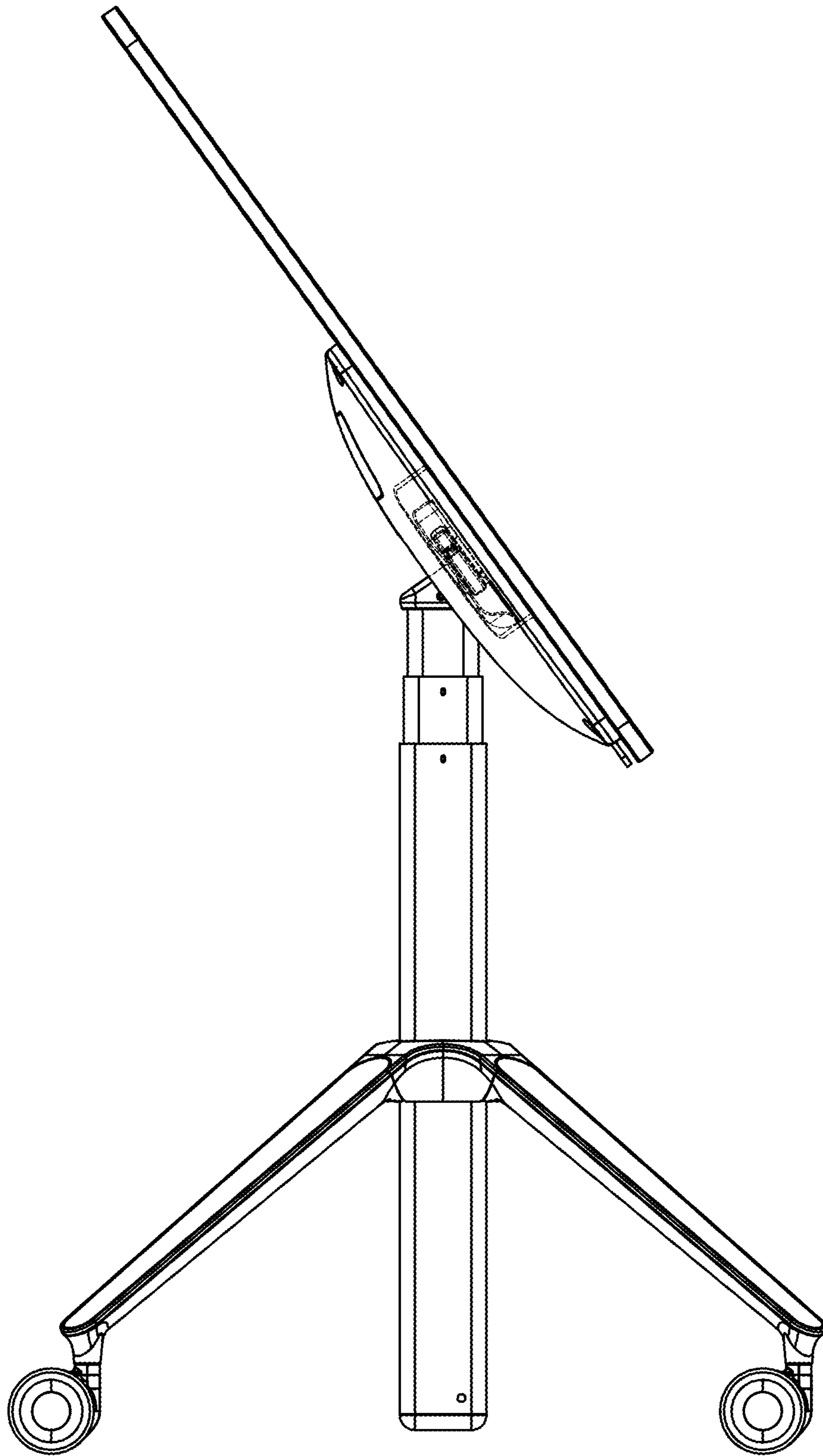


Fig. 20

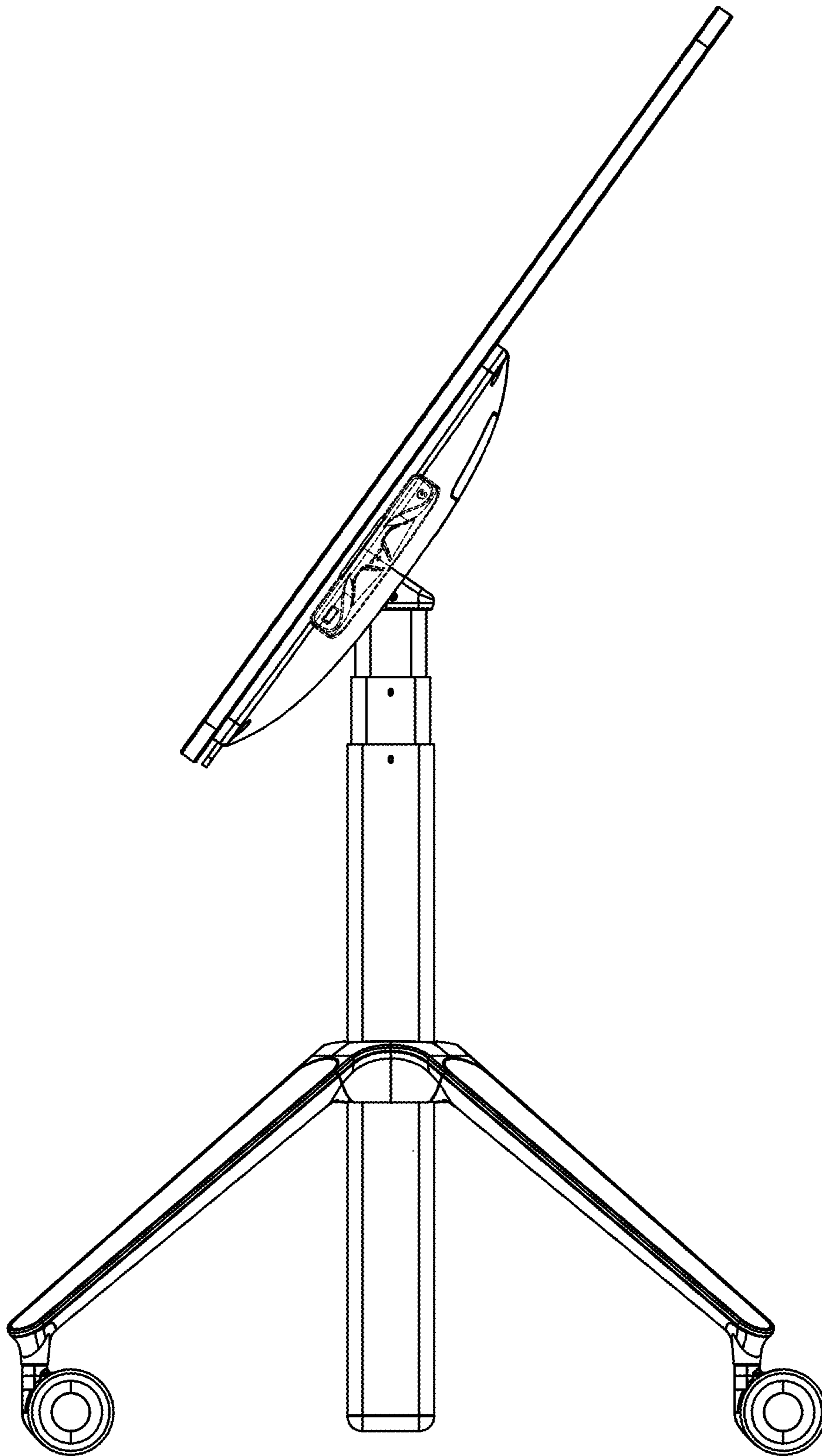


Fig. 21