

US00D948251S

(12) **United States Design Patent** (10) **Patent No.:** **US D948,251 S**  
**Li** (45) **Date of Patent:** **\*\* Apr. 12, 2022**

(54) **CABINET**

(71) Applicant: **Xia Li**, Nanyang (CN)

(72) Inventor: **Xia Li**, Nanyang (CN)

(\*\*) Term: **15 Years**

(21) Appl. No.: **29/777,367**

(22) Filed: **Apr. 6, 2021**

(51) **LOC (13) Cl.** ..... **06-04**

(52) **U.S. Cl.**  
USPC ..... **D6/671.1**

(58) **Field of Classification Search**

USPC ..... D6/657, 663, 664, 667, 671, 671.1,  
D6/671.2, 671.3, 671.4, 662, 662.1  
CPC ..... A47B 47/00; A47B 17/04; A47B 45/00;  
A47B 47/03; A47B 47/04; A47B 63/00;  
A47B 67/00; A47B 67/04; A47B 88/00;  
A47B 88/40

See application file for complete search history.

(56) **References Cited**

**U.S. PATENT DOCUMENTS**

D186,118 S \* 9/1959 Church ..... D6/662.1  
D299,598 S \* 1/1989 Everett ..... D6/663  
D517,346 S \* 3/2006 Boudreau ..... D6/662.1  
D558,483 S 1/2008 Bertch et al.  
D865,412 S 11/2019 Guo  
D931,017 S \* 9/2021 Huang ..... D6/671.1

**OTHER PUBLICATIONS**

Mary 29.5" Tall Iron 2—Door Accent Cabinet, from wayfair.com,  
Retrieved Date: Feb. 24, 2022, p. 1, from <https://www.wayfair.com/>

furniture/pdp/joss-main-mary-2-door-accent-cabinet-w003389058.  
html?cjevent=c4ecb7ea95f611ec80dfe6750a82b839&refID=CJ687298-  
CJ2975314&PID=CJ4441350 (Year: 2022).\*  
Audrey Woven 2 Door Small Cabinet 35", from zinhome.com,  
Retrieved Date: Feb. 24, 2022, p. 1, from <https://www.zinhome.com/audrey-woven-2-door-small-cabinet-35/> (Year: 2022).\*

\* cited by examiner

*Primary Examiner* — Mimoso De

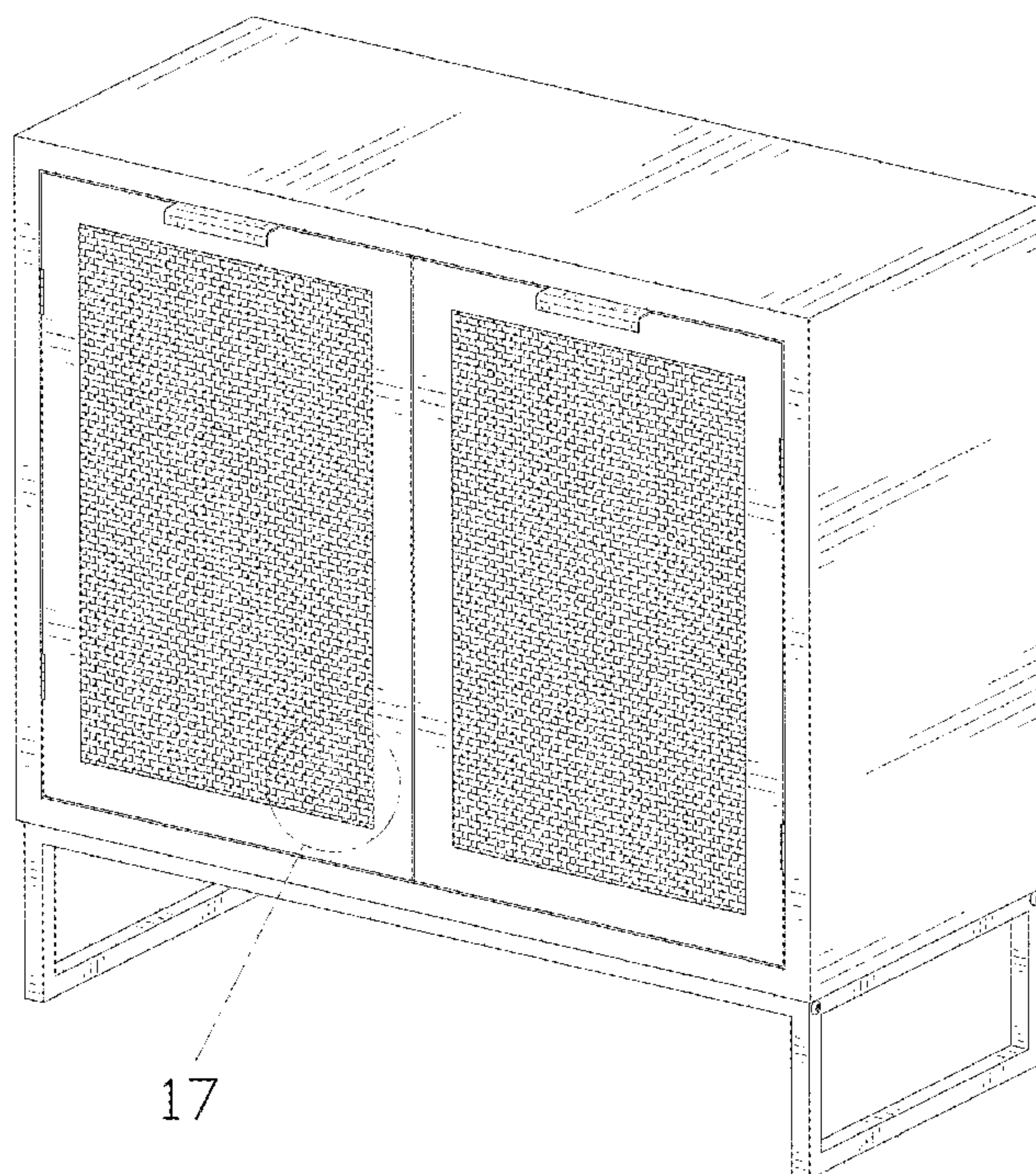
(57) **CLAIM**

The ornamental design for a cabinet, as shown and described.

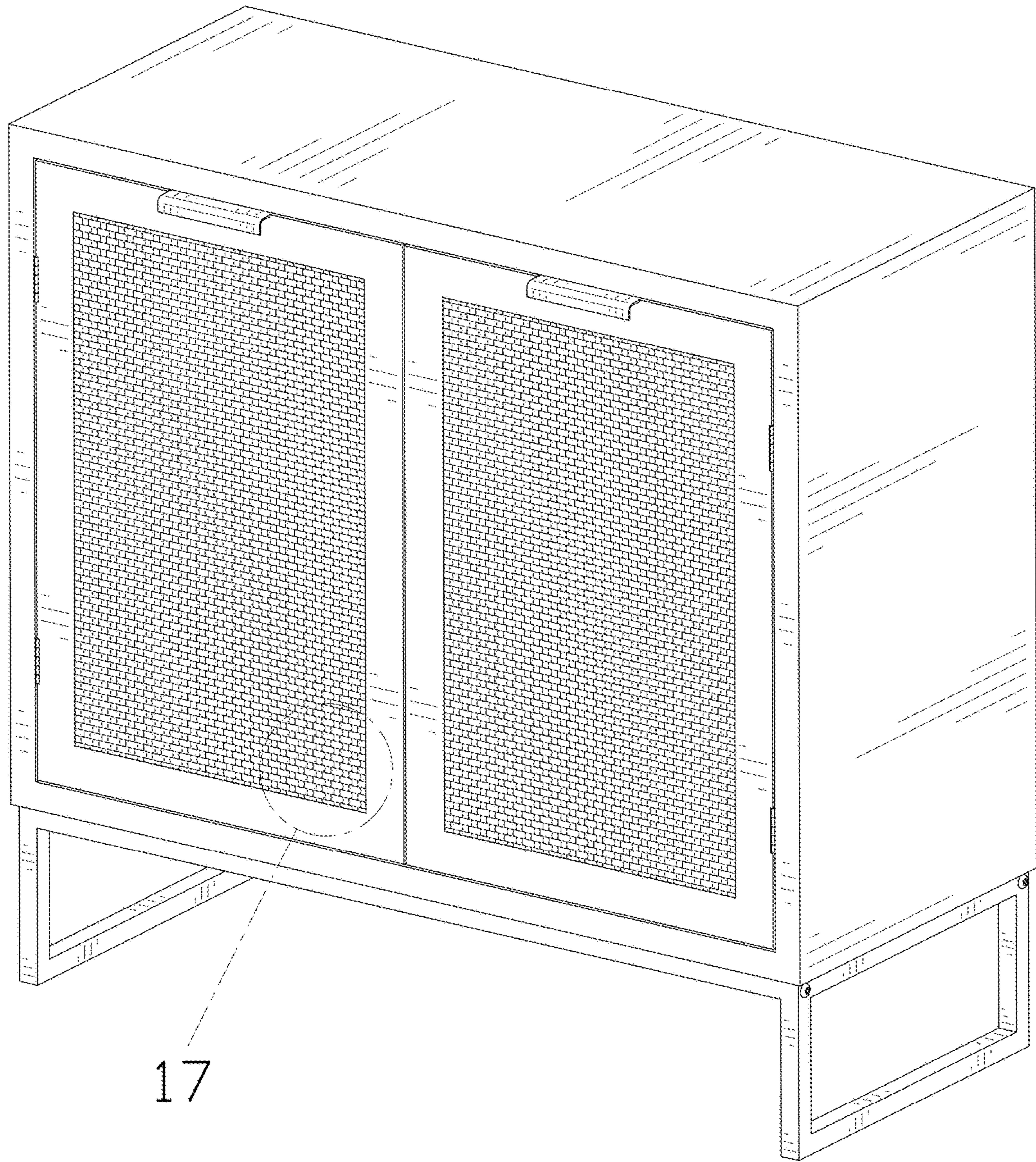
**DESCRIPTION**

FIG. 1 is a perspective view of a first embodiment of a cabinet showing my new design;  
FIG. 2 is another perspective view thereof;  
FIG. 3 is a front elevational view thereof;  
FIG. 4 is a rear elevational view thereof;  
FIG. 5 is a left side elevational view thereof;  
FIG. 6 is a right side elevational view thereof;  
FIG. 7 is a top plan view thereof;  
FIG. 8 is a bottom plan view thereof;  
FIG. 9 is a perspective view of a second embodiment of the cabinet showing my new design;  
FIG. 10 is another perspective view thereof;  
FIG. 11 is a front elevational view thereof;  
FIG. 12 is a rear elevational view thereof;  
FIG. 13 is a left side elevational view thereof;  
FIG. 14 is a right side elevational view thereof;  
FIG. 15 is a top plan view thereof;  
FIG. 16 is a bottom plan view thereof; and,  
FIG. 17 is an enlarged view of portion 17 shown in FIG. 1.

**1 Claim, 17 Drawing Sheets**







17

FIG. 1

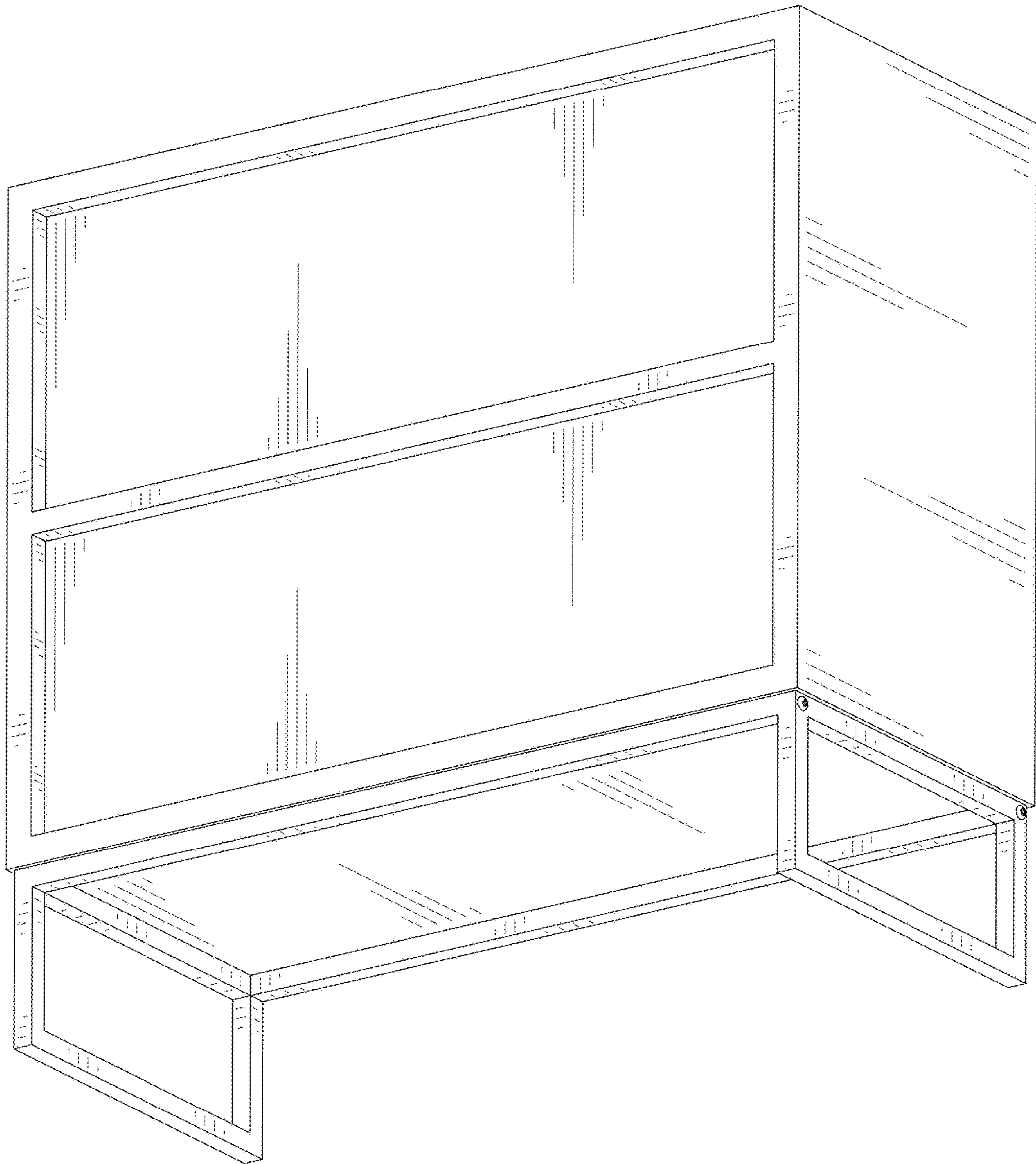


FIG. 2



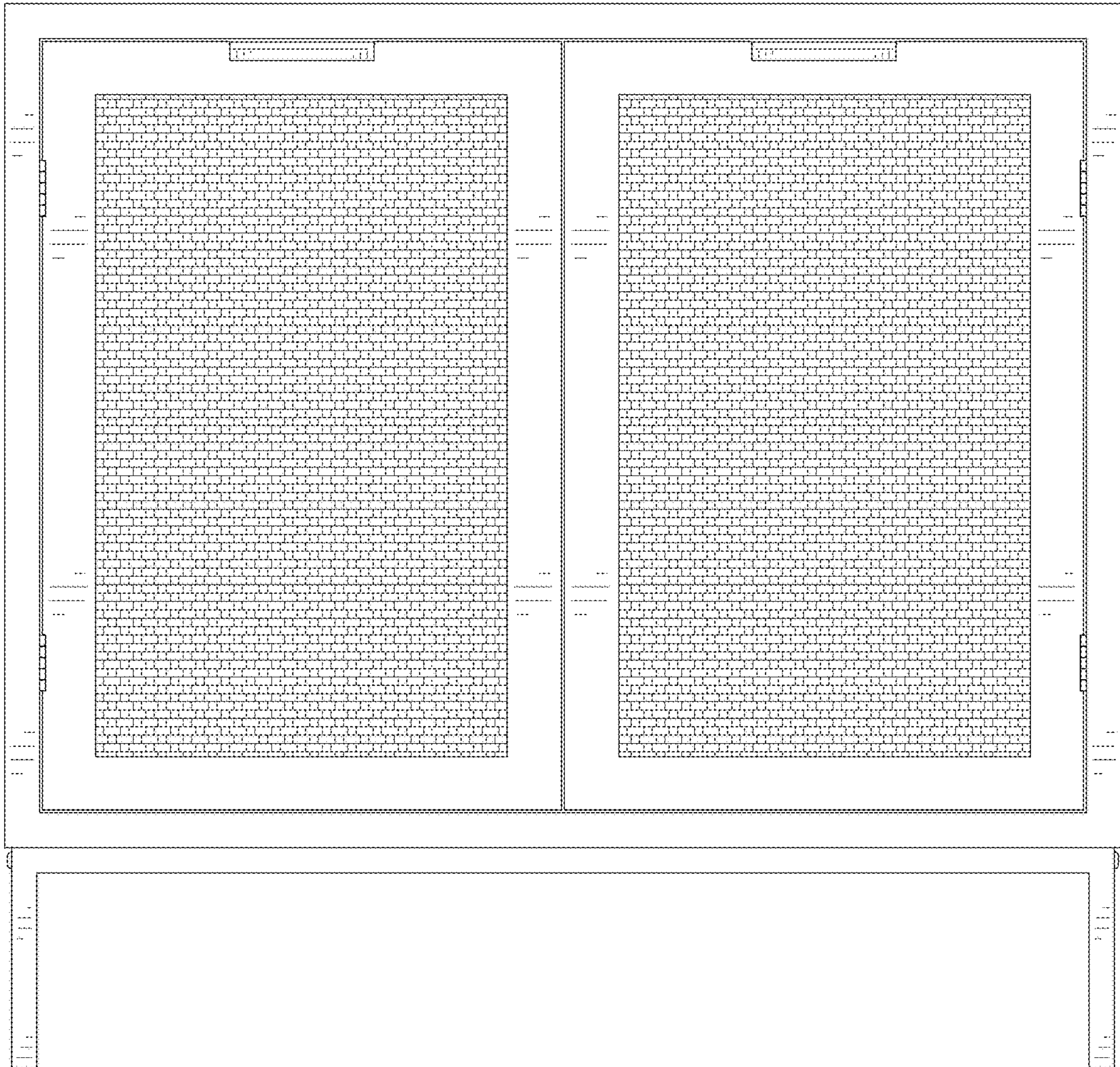


FIG. 3

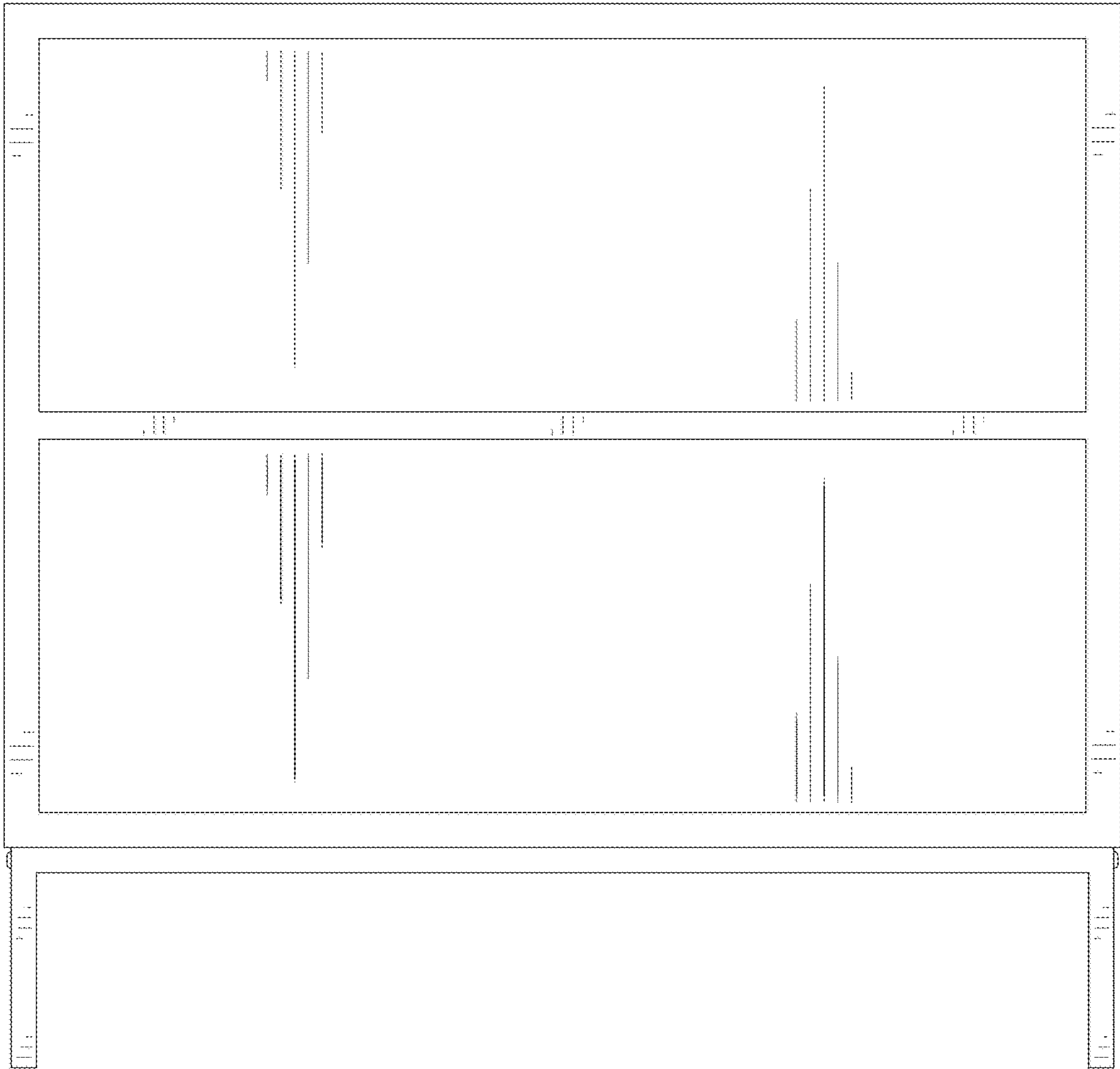


FIG. 4

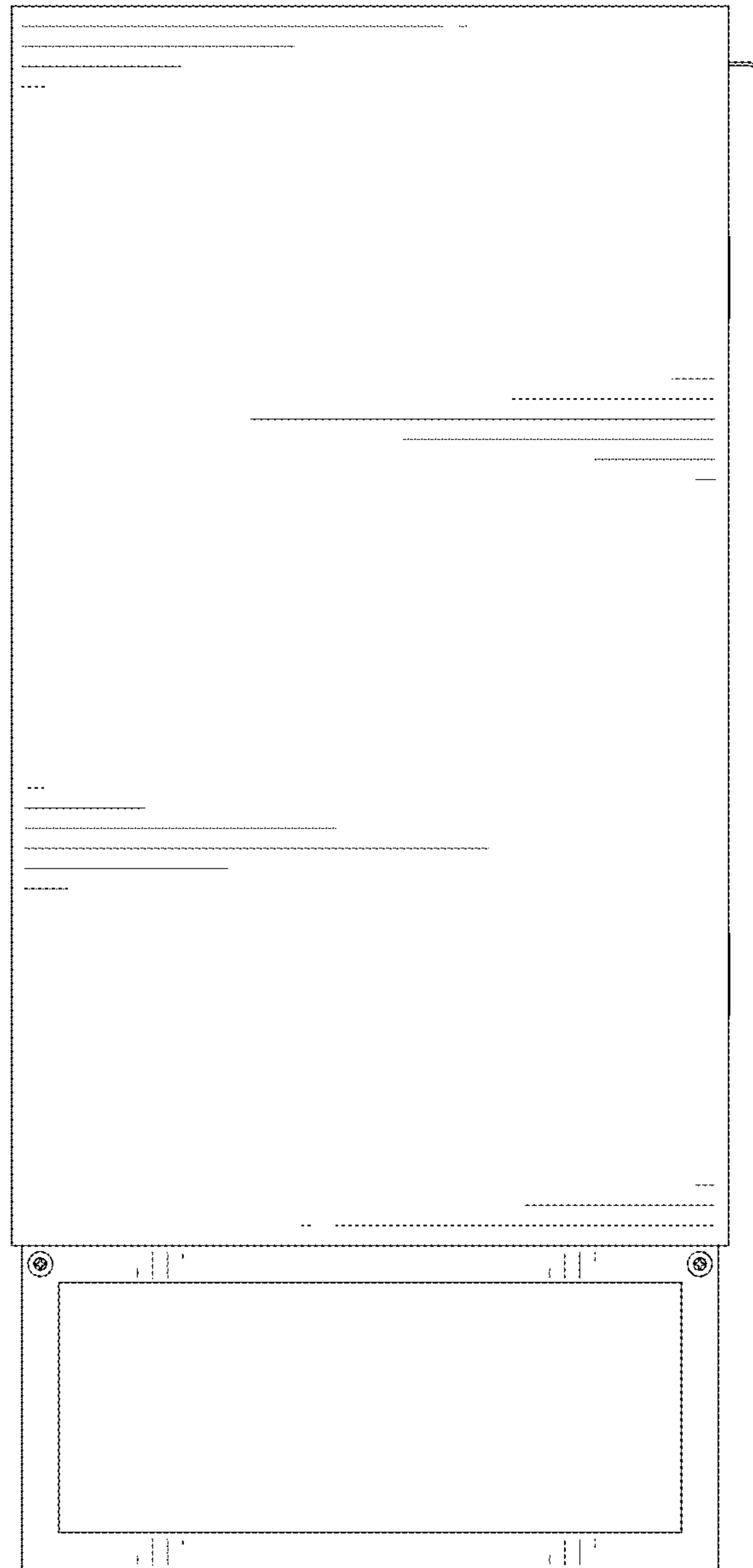


FIG. 5

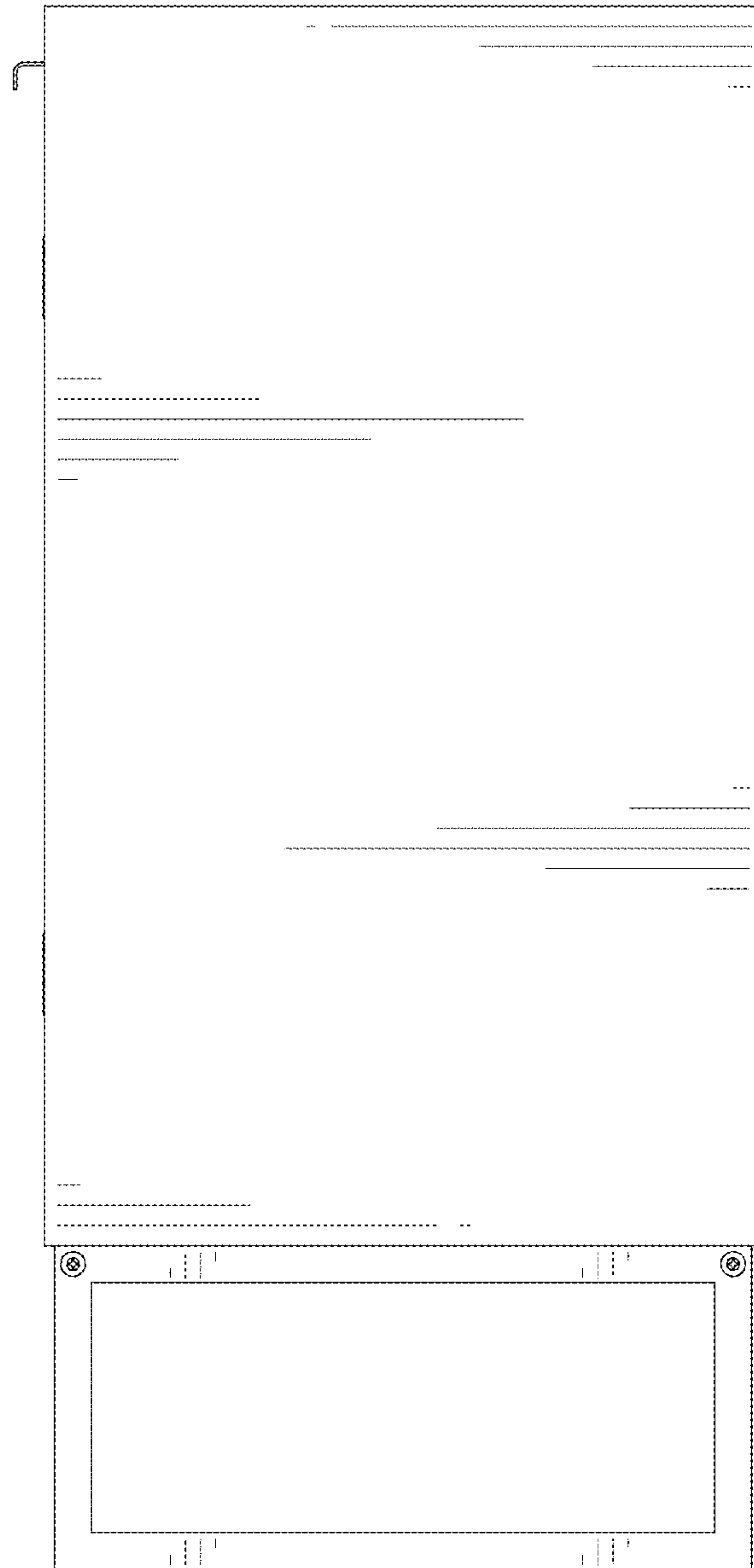


FIG. 6

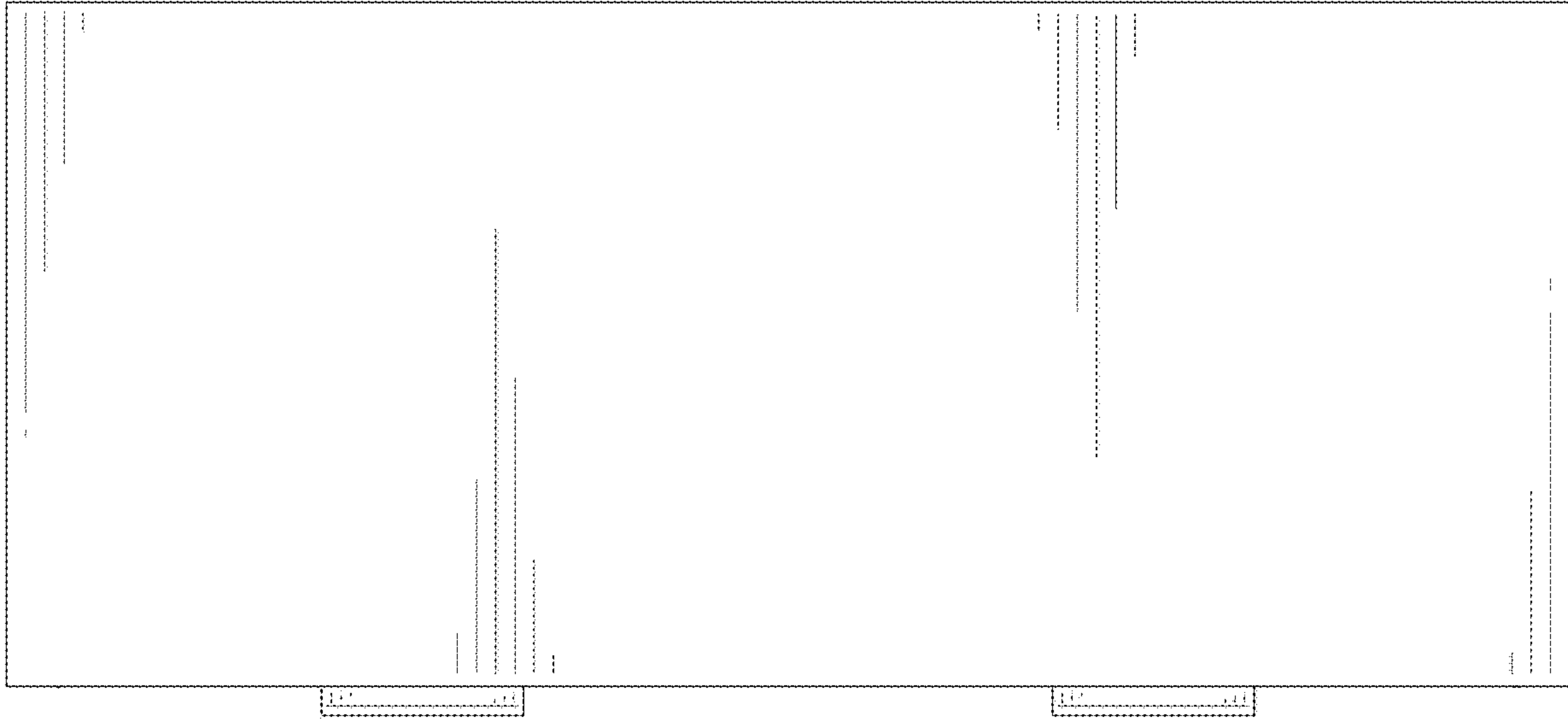


FIG. 7



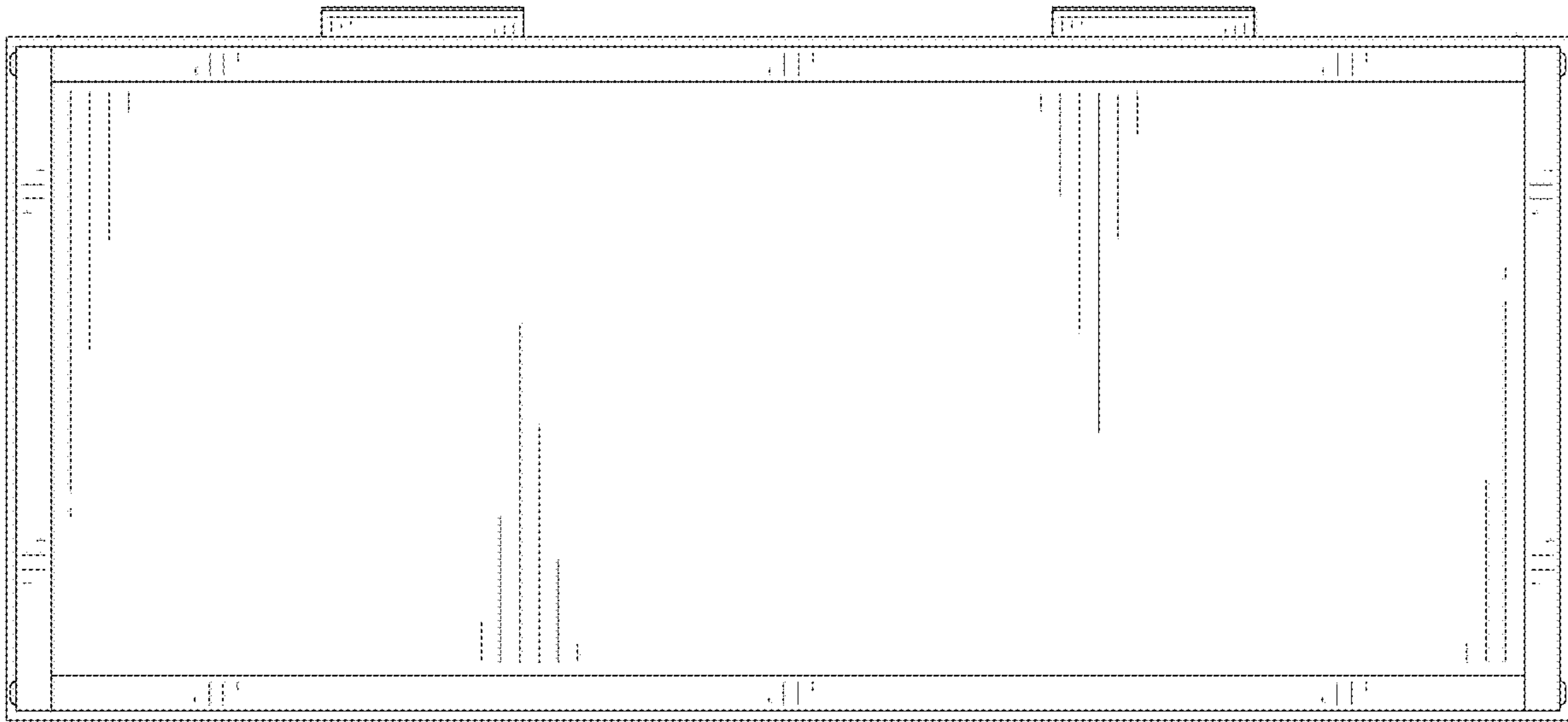


FIG. 8

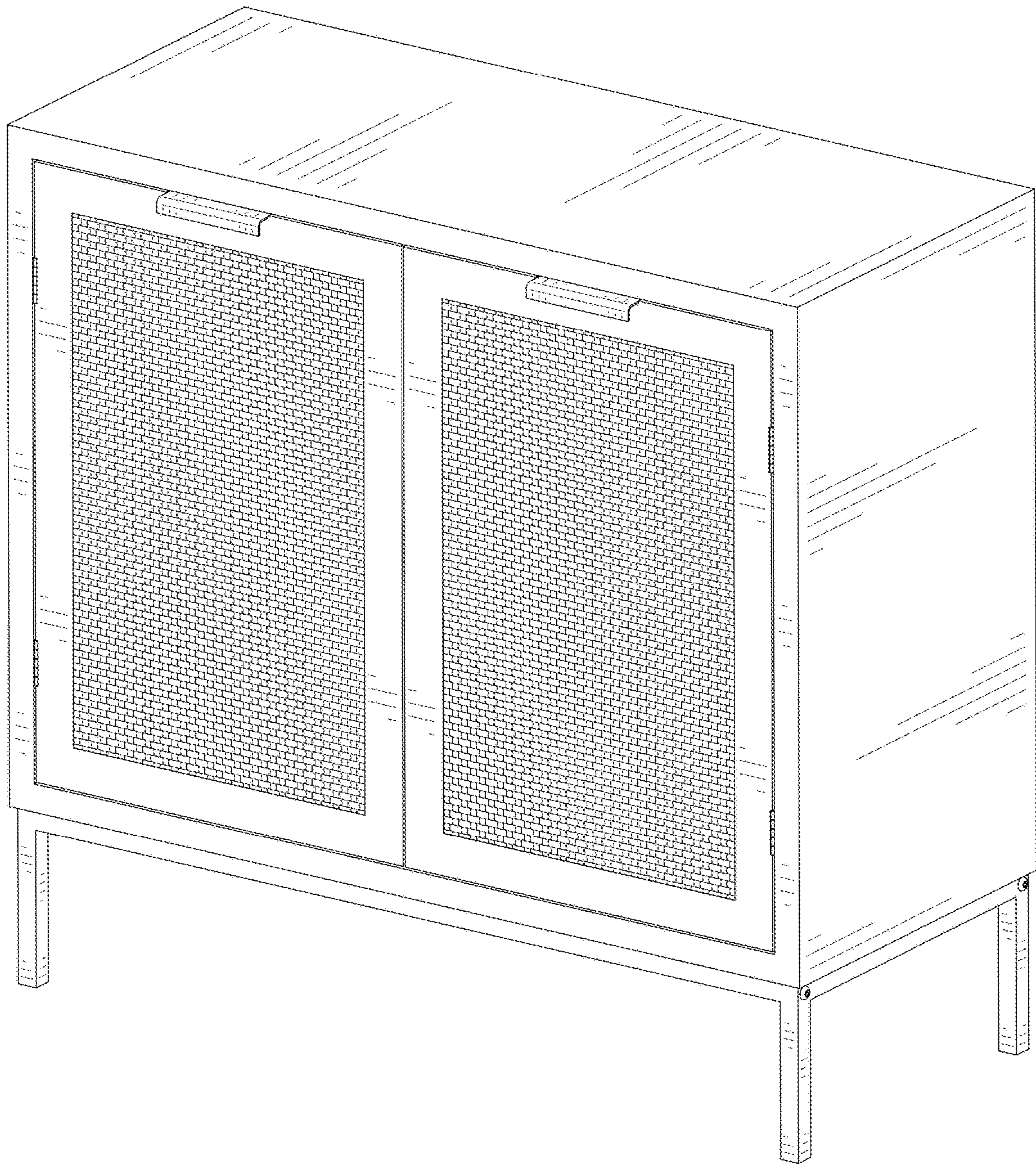


FIG. 9

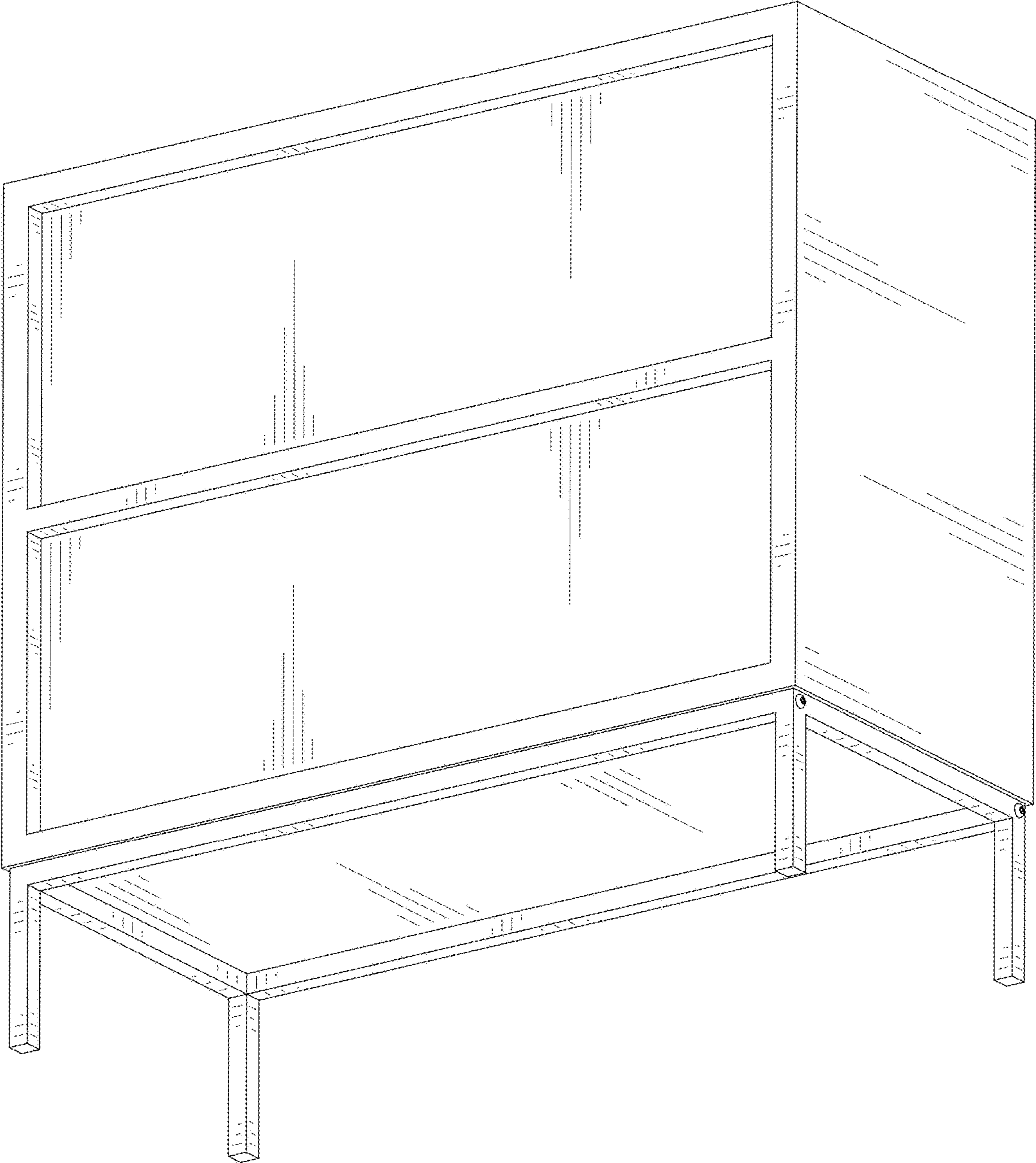


FIG. 10



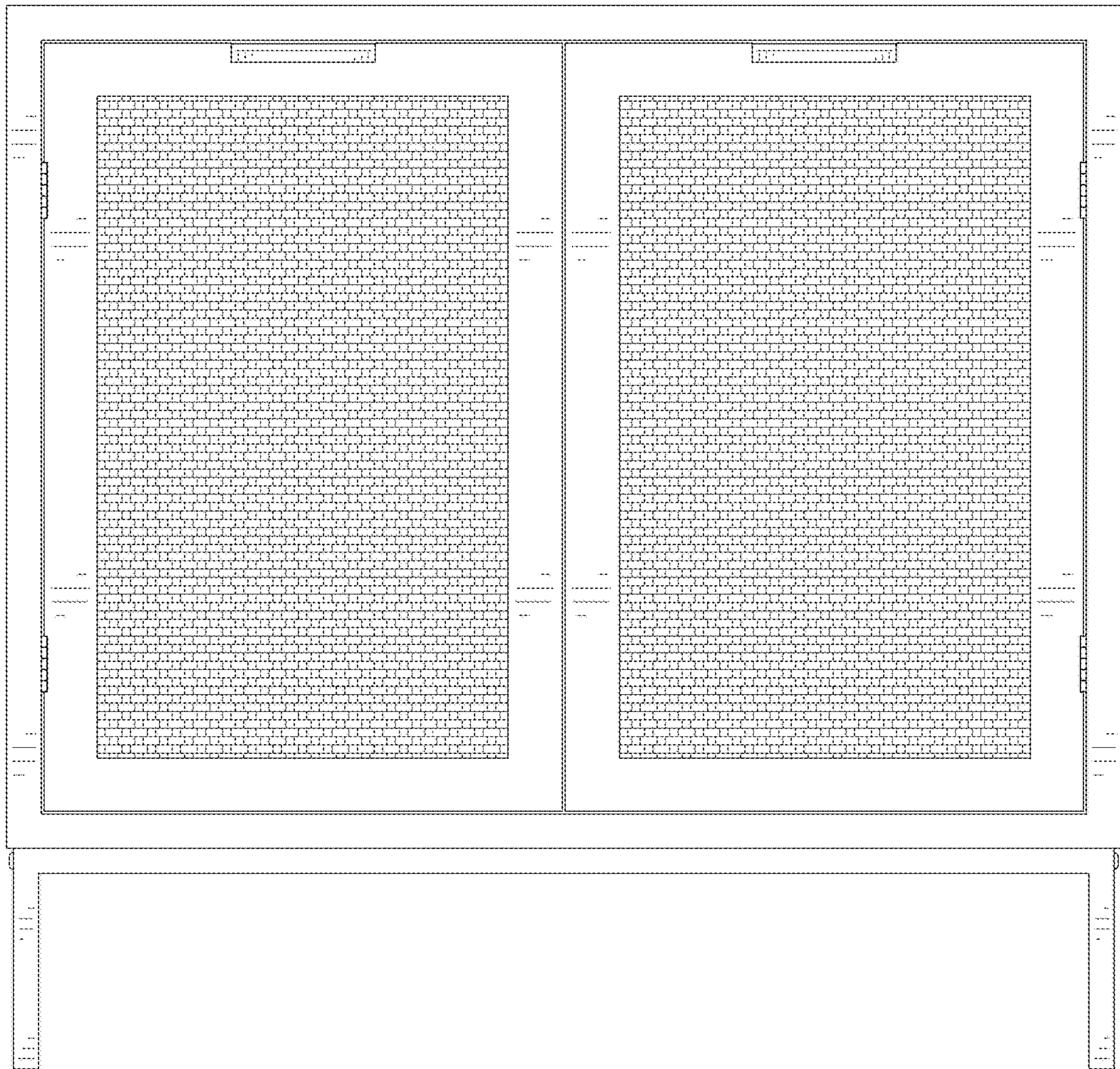


FIG. 11

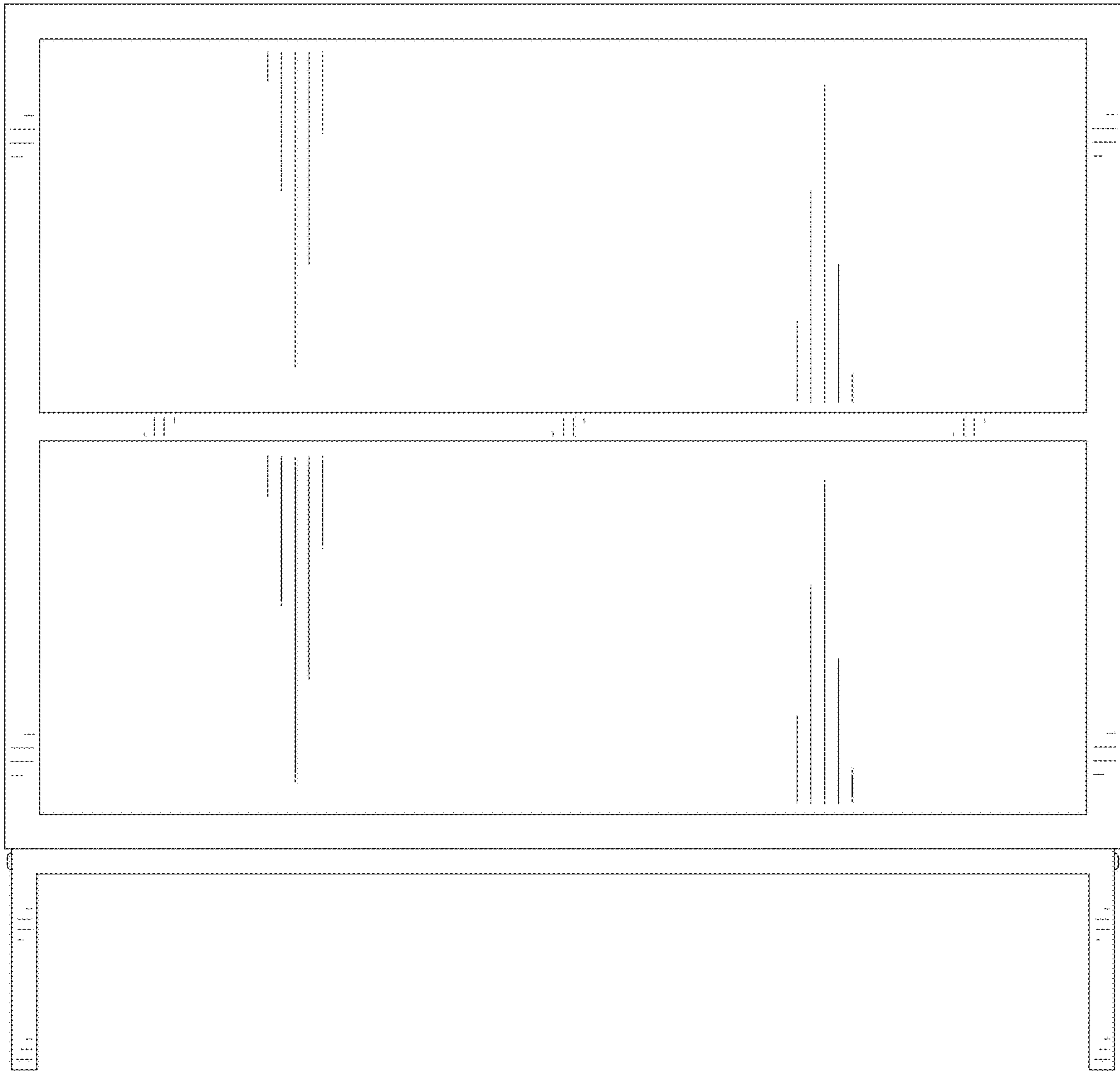


FIG. 12

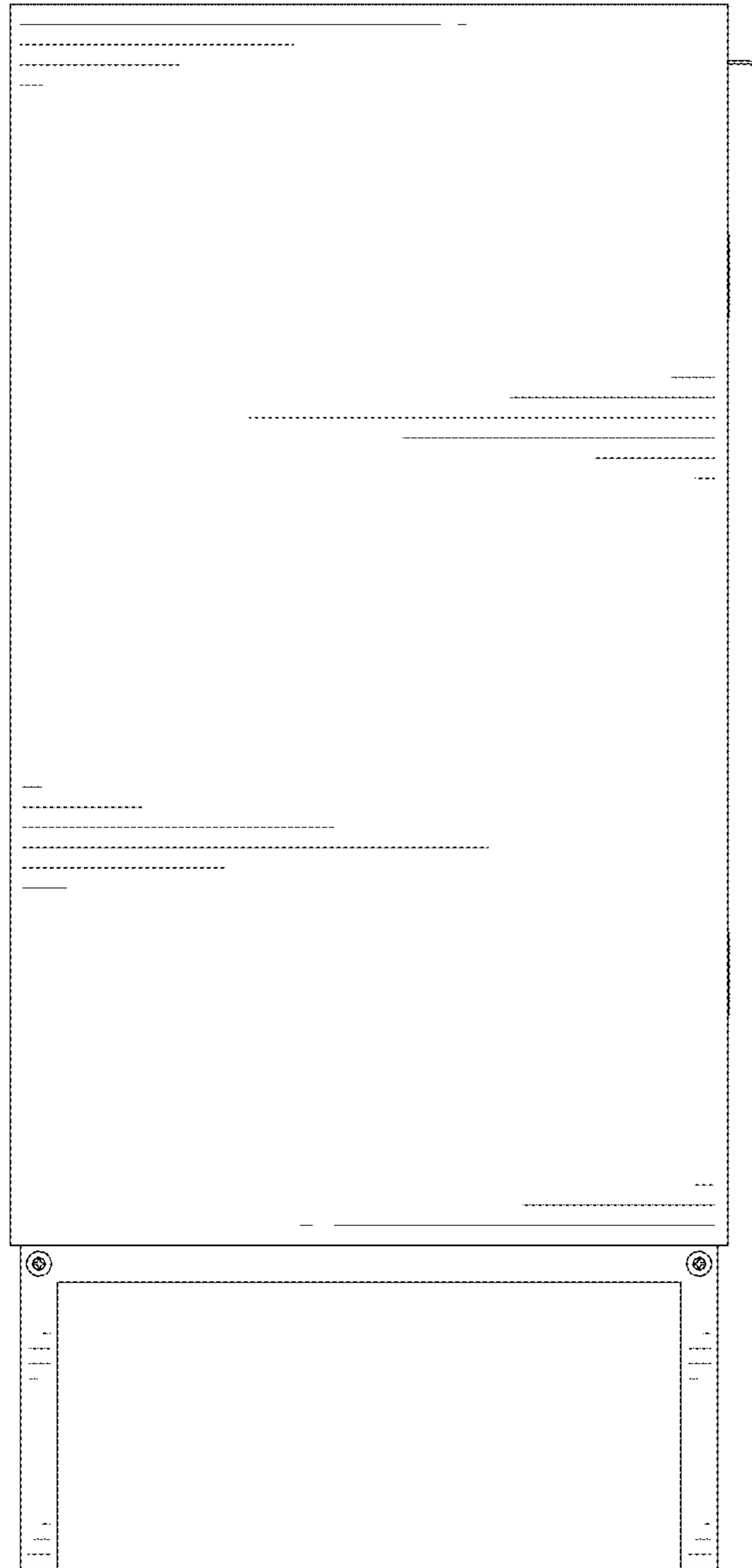


FIG. 13



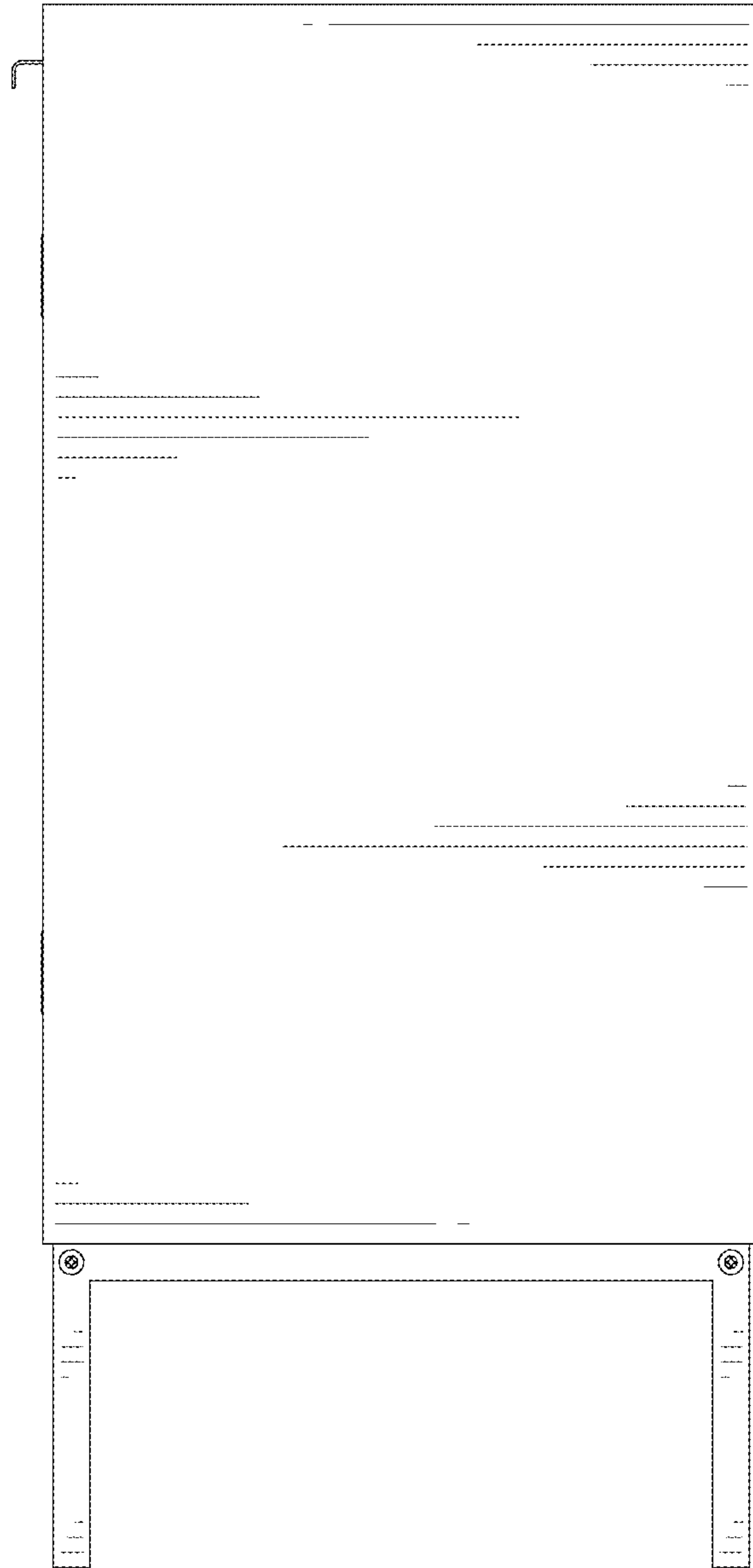


FIG. 14

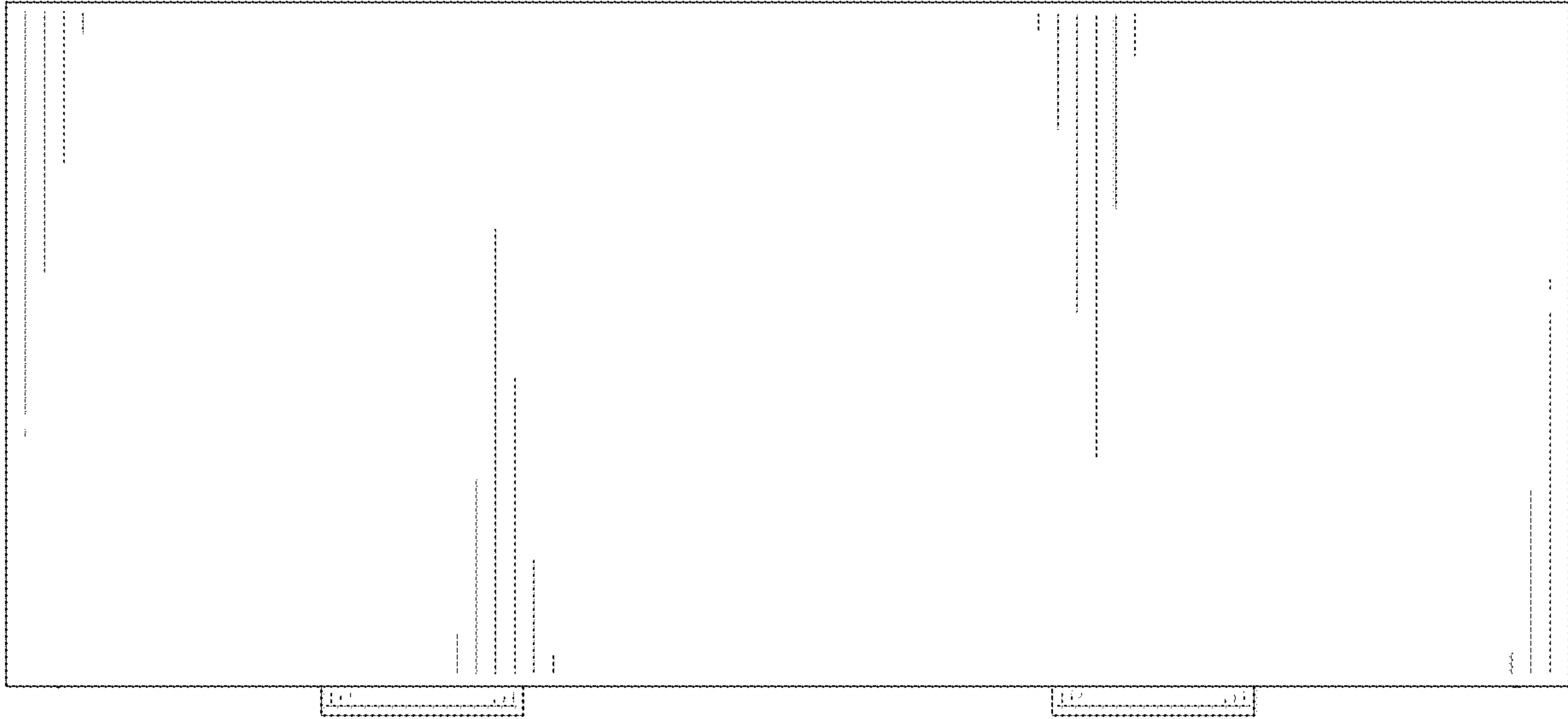


FIG. 15

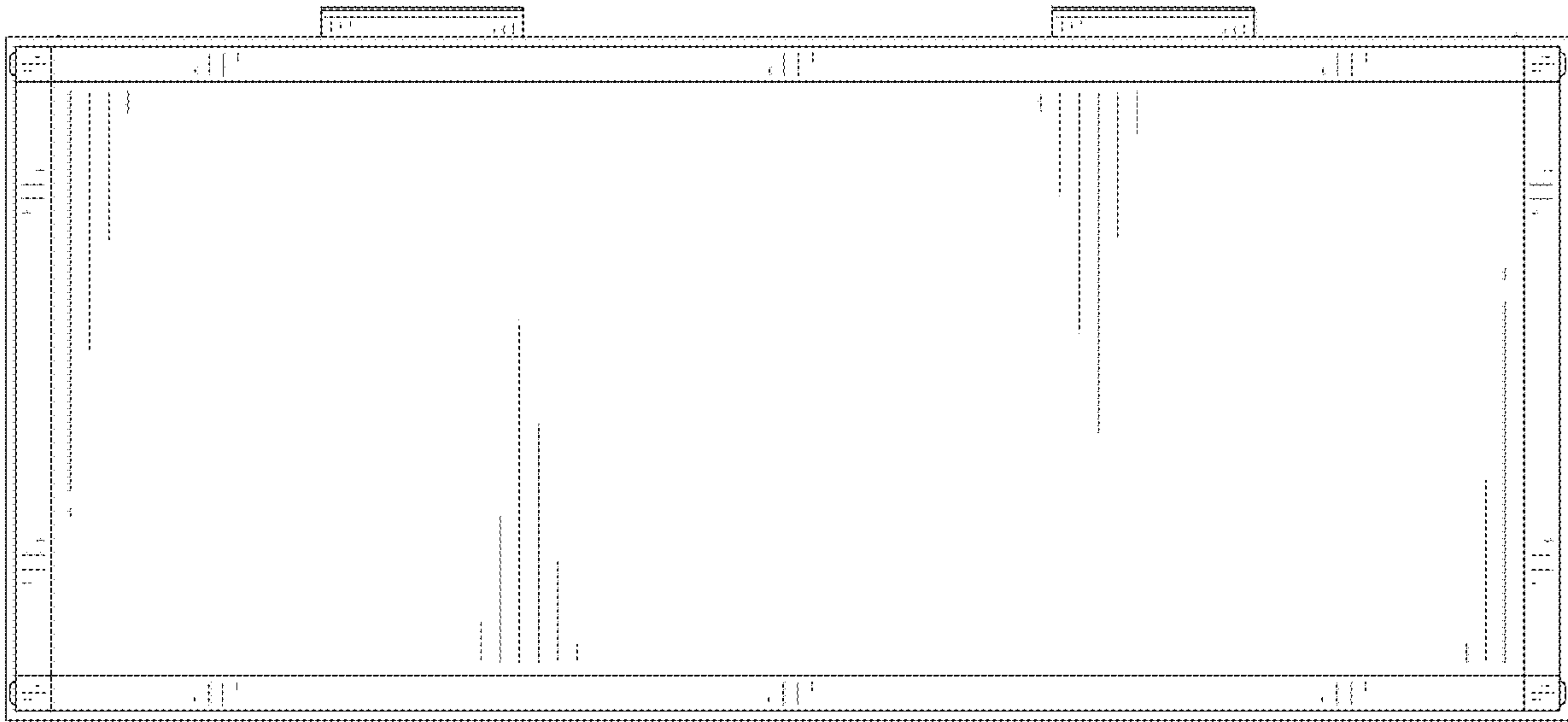


FIG. 16



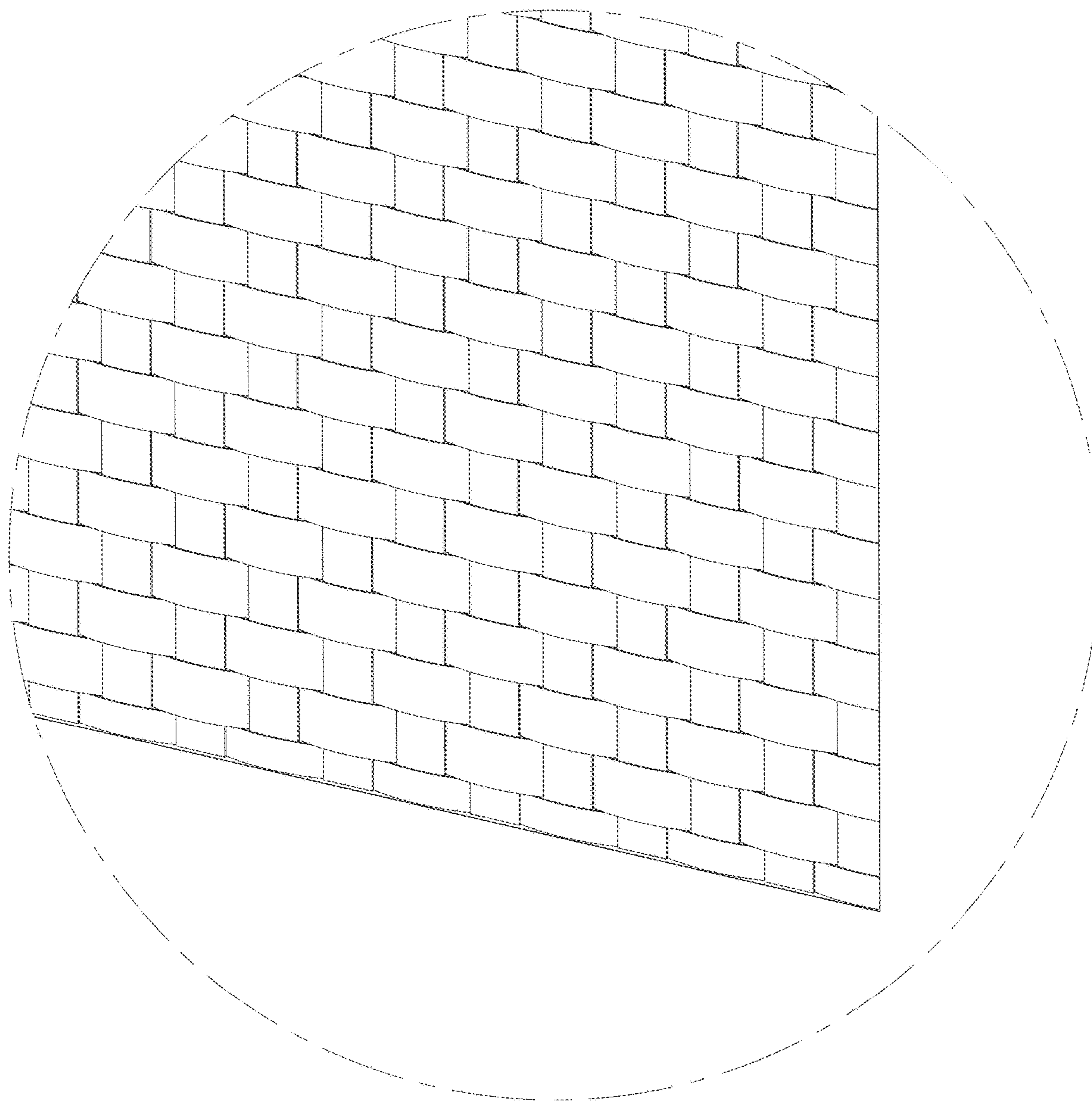


FIG. 17