



US00D948250S

(12) **United States Design Patent** (10) **Patent No.:** **US D948,250 S**
Davis et al. (45) **Date of Patent:** **** Apr. 12, 2022**

(54) **CABINET**

FOREIGN PATENT DOCUMENTS

(71) Applicant: **Walker Edison Furniture Company LLC**, West Jordan, UT (US)

CN 304163895 ‡ 9/2017
CN 304770575 8/2018

(Continued)

(72) Inventors: **Matthew Davis**, Millcreek, UT (US);
Brad Bonham, Draper, UT (US);
Richard A. Packer, Kaysville, UT (US);
Tiffany Duhadway, Salt Lake City, UT (US)

OTHER PUBLICATIONS

“Walker Edison Weston Modern Farmhouse Sliding Glass Door Storage Console.” Found online Jun. 30, 2021 at www.amazon.com. Product reviewed Mar. 26, 2019. Retrieved from URL: <https://tinyurl.com/3vnkj5z7> (Year: 2019).*

(Continued)

(73) Assignee: **Walker Edison Furniture Company LLC**, West Jordan, UT (US)

(**) Term: **15 Years**

Primary Examiner — Steven J Czyz

(21) Appl. No.: **29/756,303**

Assistant Examiner — Katelin G Kloberg

(22) Filed: **Oct. 27, 2020**

(74) *Attorney, Agent, or Firm* — Workman Nydegger

Related U.S. Application Data

(62) Division of application No. 29/698,919, filed on Jul. 22, 2019, now Pat. No. Des. 926,500.

(51) **LOC (13) Cl.** **06-04**

(52) **U.S. Cl.**

USPC **D6/657**

(58) **Field of Classification Search**

USPC D6/657, 659, 660, 661, 662, 662.1, 671, D6/671.1

CPC . A47B 67/00; A47B 67/04; A47B 2220/0072; A47B 2220/01; A47B 85/00

See application file for complete search history.

(56) **References Cited**

U.S. PATENT DOCUMENTS

245,925 A ‡ 8/1881 Kinsley A47J 37/06
126/14
309,799 A ‡ 12/1884 Poulson F24B 1/192
126/54
D47,600 S ‡ 7/1915 Koch D23/39
D61,344 S ‡ 8/1922 Mayer D14/16

(Continued)

(57) **CLAIM**

The ornamental design for a cabinet, as shown and described.

DESCRIPTION

FIG. 1 is a front perspective view of a cabinet showing the new design;

FIG. 2 is a front elevation view thereof showing the sliding door slid to the left of the cabinet;

FIG. 3 is another front elevation view thereof showing the sliding door in an alternate position of use to the right of the cabinet;

FIG. 4 is a back elevation view thereof;

FIG. 5 is a top plan view thereof;

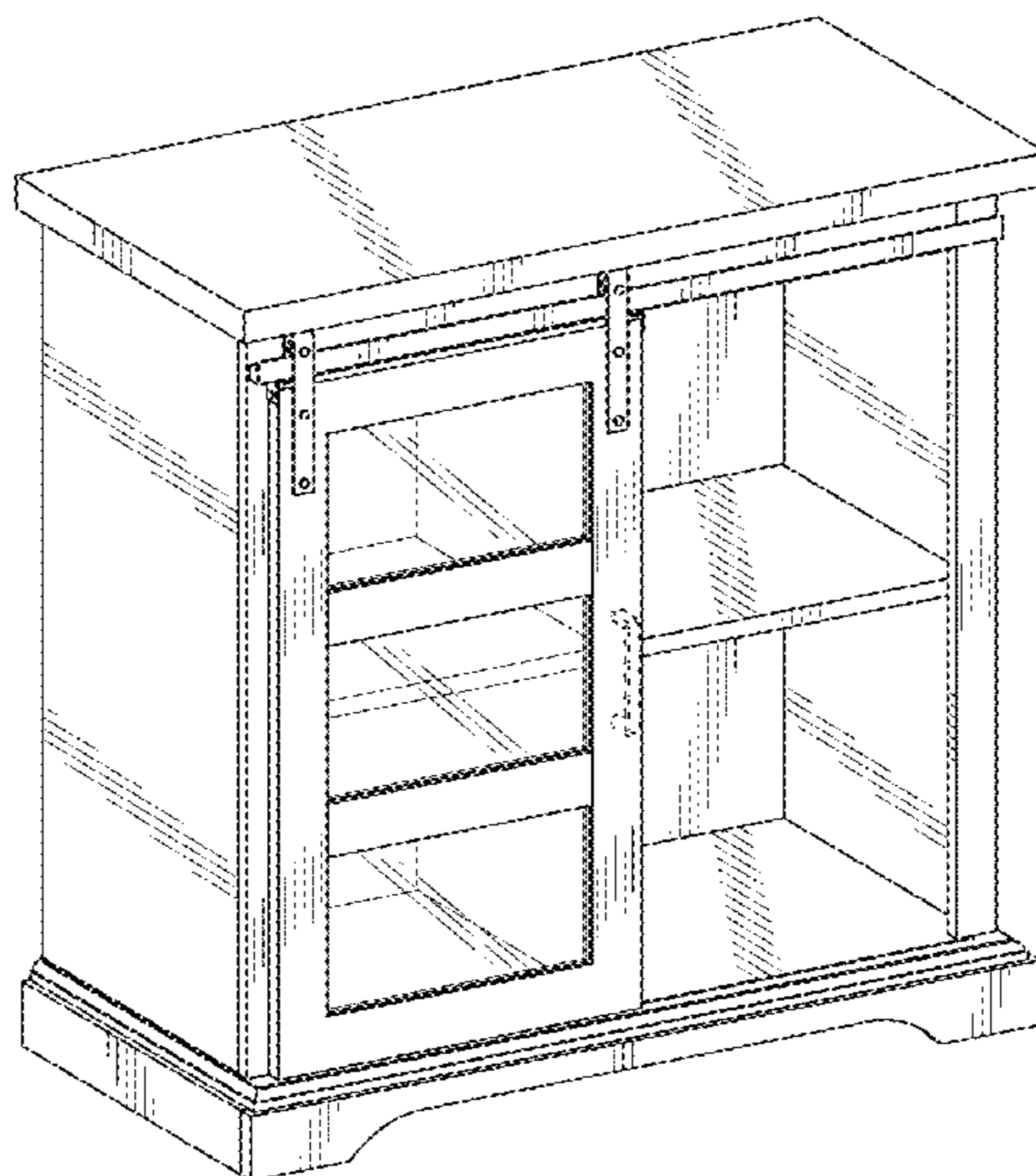
FIG. 6 is a bottom plan view thereof;

FIG. 7 is a right elevation view thereof; and,

FIG. 8 is a left elevation view thereof.

The broken lines depict portions of the article that form no part of the claimed design.

1 Claim, 4 Drawing Sheets



(56)

References Cited

OTHER PUBLICATIONS

Notice of Allowance for U.S. Appl. No. 29/654,930, dated Dec. 10, 2020.

Notice of Allowance for U.S. Appl. No. 29/698,947, dated Dec. 10, 2020.

Notice of Allowance for U.S. Appl. No. 29/698,928, dated Dec. 11, 2020.

U.S. Appl. No. 29/773,569, filed Mar. 10, 2021, Davis.

U.S. Appl. No. 29/785,130, filed May 24, 2021, Duhadway.

U.S. Appl. No. 29/785,154, filed May 24, 2021, Duhadway.

U.S. Appl. No. 29/796,878, filed Jun. 28, 2021, Duhadway.

U.S. Appl. No. 29/797,119, filed Jun. 29, 2021, Duhadway.

U.S. Appl. No. 29/794,737, filed Jun. 25, 2021, Duhadway.

U.S. Appl. No. 29/796,882, filed Jun. 28, 2021, Duhadway.

U.S. Appl. No. 29/794,743, filed Jun. 15, 2021, Duhadway.

U.S. Appl. No. 29/801,171, filed Jul. 27, 2021, Duhadway.

U.S. Appl. No. 29/801,173, filed Jul. 27, 2021, Naylor.

U.S. Appl. No. 29/799,389, filed Jul. 14, 2021, Duhadway.

U.S. Appl. No. 29/801,175, filed Jul. 27, 2021, Duhadway.

U.S. Appl. No. 29/808,729, filed Sep. 22, 2021, Duhadway.

U.S. Appl. No. 29/808,735, filed Sep. 22, 2021, Duhadway.

Office Action for U.S. Appl. No. 29/756,302; dated Jul. 12, 2021.

"Pemberly Row Farmhouse Mesh Sliding Barn Door 32-inch Wood Home Coffee Station." Found online Jun. 30, 2021 at www.amazon.com. Product first available Dec. 28, 2018. Retrieved from URL: <https://tinyurl.com/2h79ybk5> (Year: 2018).

"Home Square 2 Piece Farmhouse Mesh Barn Door TV Stand." Found online Jun. 30, 2021 at www.amazon.com. Product first available Dec. 6, 2019. Retrieved from URL: <https://www.amazon.com/Home-Square-Farmhouse-Console-Cabinet/dp/B082DZ5J83?th=1> (Year: 2019).

"The Gray Barn Kujawa Sliding Mesh Door Console." Found online Jun. 30, 2021 at www.overstock.com. Product reviewed May 11, 2020. Retrieved from URL <https://tinyurl.com/24ttxchw> (Year: 2020).

"SSLLine 32-inch Farmhouse Accent Storage Cabinet." Found online Jun. 30, 2021 at www.amazon.com. Product first available Jul. 20, 2020. Retrieved from URL: <https://www.amazon.com/dp/B0915LKX3W/?tag=abnd-20&th=1> (Year: 2020).

"Rustic Cabinet Barn Door Console." Found online Jun. 30, 2021 at www.ebay.com. Page dated Sep. 5, 2020. Retrieved from URL: <https://www.ebay.com/itm/313181659463> (Year: 2020).

"Handbird Display Cabinet." Found online Jun. 30, 2021 at www.kmart.com. Product first available Jan. 29, 2021. Retrieved from URL: <https://www.kmart.com/hand-bird-display-cabinet-tv-stand-w-sliding-barn/p-A093830443> (Year: 2021).

Notice of Allowance for U.S. Appl. No. 29/756,305; dated Jul. 16, 2021.

Notice of Allowance for U.S. Appl. No. 29/756,291; dated Jul. 14, 2021.

Notice of Allowance for U.S. Appl. No. 29/756,763; dated Jul. 23, 2021.

SHA CERLIN 52" Farmhouse TV Stand with Sliding Barn Door, retrieved from https://www.amazon.com/SHA-CERLIN-Farmhouse-Adjustable-Entertainment/dp/B094JWM1QF/ref=sr_1_21?dchild=1&m=A2YBITOQ3E0O2T&marketplaceID=ATVPDKIKX0DER&qid=1626471396&s=merchant-items&sr=1-21, available on information and belief as of May 10, 2021; retrieved on Aug. 18, 2021.

SHA CERLIN TV Stand, retrieved from https://www.amazon.com/SHA-CERLIN-Farmhouse-Entertainment-Adjustable/dp/B094SWDB8J/ref=sr_1_63?dchild=1&keywords=sha+cerlin&qid=1626467539&s=home-garden&sr=1-63, available on information and belief as of May 13, 2021; retrieved on Aug. 18, 2021.

Restriction Requirement for U.S. Appl. No. 29/743,423; dated Sep. 7, 2021.

Restriction Requirement for U.S. Appl. No. 29/743,237; dated Sep. 7, 2021.

Walker Edison Willa Modern Farmhouse Sliding Single Slat Door Storage Console. Found online Jun. 30, 2021 at www.amazon.com

. Product reviewed Jun. 18, 2019. Retrieved from URL: <https://tinyurl.com/4n3s9x45> (Year: 2019).

Woven Paths 32-inch Sliding Slat Door Accent Cabinet. Found online Jun. 30, 2021 at www.walmart.com. Product reviewed Sep. 14, 2019. Retrieved from URL: <https://tinyurl.com/2bsjztvy> (Year: 2019).

"HOM ECHO Farmhouse Storage Cabinet." Found online Jun. 30, 2021 at www.amazon.com. Product first available Oct. 7, 2020. Retrieved from URL: <https://tinyurl.com/9f2yj8ks> (Year: 2020).

"HOMCOM Rustic Farmhouse Accent Side Cabinet." Found online Jun. 30, 2021 at www.amazon.com. Product first available Jan. 20, 2021. Retrieved from URL: <https://tinyurl.com/ntzeu7ey> (Year: 2021).

Office Action for U.S. Appl. No. 29/743,244; dated Sep. 10, 2021. "Carson Carrington Esbo 48-inch Corner TV Stand Console" Jun. 29, 2020, overstock.com, site visited Sep. 7, 2021 <<https://www.overstock.com/Home-Garden/Carson-Carrington-Esbo-48-2-Door-Glass-Shelf-Corner-TV-Console/30270125/product.html>> (Year: 2020).

Office Action for U.S. Appl. No. 29/743,250; dated Sep. 14, 2021.

Office Action for U.S. Appl. No. 29/743,584; dated Sep. 14, 2021.

Office Action for U.S. Appl. No. 29/743,247; dated Sep. 15, 2021.

Notice of Allowance for U.S. Appl. No. 29/743,240; dated Sep. 15, 2021.

Restriction Requirement for U.S. Appl. No. 29/743,246; dated Sep. 14, 2021.

Notice of Allowance for U.S. Appl. No. 29/743,418; dated Sep. 20, 2021.

Sauder Saddler Way TV Stand for TVs up to 68", Lintel Oak Finish, retrieved from <https://www.walmart.com/ip/Sauder-Saddler-Way-TV-Stand-for- TVs-up-to-65- Lintel-Oak-Finish/522898196> on Sep. 23, 2021.

Sauder Adept Storage Accent Storage Cabinet, For TV's up to 39", Craftsman Oak finish, retrieved from https://www.amazon.com/Sauder-Adept-Storage-Cabinet-Craftsman/dp/B076FBWJV3/ref=cm_cr_ar_p_d_product_top?ie=UTF8 on Sep. 23, 2021.

Sauder Dakota Pass Entertainment/Fireplace Credenza, For TV's up to 60", Craftsman Oak finish, retrieved from https://www.amazon.com/Sauder-419119-Entertainment-Fireplace-Craftsman/dp/B016QM1NIK/ref=cm_cr_ar_p_d_product_top?ie=UTF8 on Sep. 23, 2021.

Fireplace TV Credenza with Glass Doors, retrieved from <https://www.sauder.com/furniture/427377/fireplace-tv-credenza-with-glass-doors> on Sep. 23, 2021.

Sauder Barrister Lane Media Fireplace, for TVs up to 60", Salt Oak finish, retrieved from https://www.amazon.com/Sauder-Barrister-Fireplace-Entertainment-Accommodates/dp/B07GC88LRN/ref=cm_cr_ar_p_d_product_top?ie=UTF8 on Sep. 23, 2021.

Jaxpety 58" Wooden TV Stand with Glass Door for 65" TVs Farmhouse Style Media Console Storage Cabinet Entertainment Center for Living Room, retrieved from <https://www.sears.com/jaxpety-58inch-wooden-tv-stand-w-glass-door/p-A105951271> on Sep. 28, 2021.

Jaxpety 58" Farmhouse Barn Door TV Stand for TVs up to 65", Wooden Media Console Storage Cabinet for Living Room, Bedroom, Brown Oak, retrieved from <https://www.walmart.com/ip/Jaxpety-58-Farmhouse-Barn-Door-TV-Stand-for- TVs-up-to-65- Wooden-Media-Console-Storage-Cabinet-for-Living-Room-Bedroom-Brown-Oak/314330068> on Sep. 28, 2021.

Office Action for U.S. Appl. No. 29/773,569; dated Oct. 6, 2021.

"Walker Edison Beaumont." Found online Sep. 13, 2021 at www.amazon.com. Product first available Nov. 8, 2018. Retrieved from URL: https://www.amazon.com/dp/B07K9F9YGF/ref=sbl_dp_x_B092VPQV67_0 (Year: 2018).

"Woven Paths Modern Farmhouse Sliding Door Accent." Found online Sep. 13, 2021 at www.walmart.com. Product reviewed Jan. 19, 2019. Retrieved from URL: <https://www.walmart.com/ip/Woven-Paths-Modern-Farmhouse-Sliding-Door-Accent-Cabinet-Stone-Grey/418425379> (Year: 2019).

"Sauder Adept Storage Accent Storage Cabinet." Found online Sep. 13, 2021 at www.amazon.com. Product first available Oct. 30, 2017. Retrieved from URL: <https://tinyurl.com/2e7tnx7d> (Year: 2017).

U.S. Appl. No. 29/814,099, filed Nov. 3, 2021, Naylor.

(56)

References Cited

OTHER PUBLICATIONS

- U.S. Appl. No. 29/818,613, filed Dec. 9, 2021, Beckstead.
- U.S. Appl. No. 29/818,153, filed Dec. 7, 2021, Duhadway.
- U.S. Appl. No. 29/818,157, filed Dec. 7, 2021, Duhadway.
- U.S. Appl. No. 29/815,518, filed Nov. 15, 2021, Packer.
- U.S. Appl. No. 29/815,516, filed Nov. 15, 2021, Packer.
- Notice of Allowance for U.S. Appl. No. 29/756,302; dated Oct. 27, 2021.
- Office Action for U.S. Appl. No. 29/756,305; dated Nov. 15, 2021.
- Notice of Allowance for U.S. Appl. No. 29/743,240; dated Nov. 24, 2021.
- Notice of Allowance for U.S. Appl. No. 29/743,418; dated Nov. 24, 2021.
- “LuxenHome 3 Piece White Wood Bathroom Furniture Set” <https://www.homesquare.com/LuxenHome-3-Piece-White-Wood-Bathroom-Furniture-Set-2397532-PKG.htm> Found online Nov. 12, 2021; Retrieved on Dec. 2, 2021.
- “Luxen Home Wood Farmhouse Storage Cabinet” https://shopping.yahoo.com/product/00810000777488/Luxen-Home-Wood-Farmhouse-Storage-Cabinet?pid=skimlinks_310-10477784&guccounter=1 Found online Nov. 12, 2021; Retrieved on Dec. 2, 2021.
- “Luxen Home Rustic Chic Sliding Door Wood Cabinet” https://shopping.yahoo.com/product/00810000772858/Luxen-Home-Rustic-Chic-Sliding-Door-Wood-Cabinet?pid=skimlinks_310-9997530 Found online Nov. 12, 2021; Retrieved on Dec. 2, 2021.
- “LuxenHome Sliding Door White Wood Wall Cabinet” <https://www.cymax.com/Sliding-Door-White-Wood-Wall-Cabinet-WHIF1248.htm> Found online Nov. 12, 2021; Retrieved on Dec. 2, 2021.
- “LuxenHöme Natural Oak Finish Wine Bar Cabinet with 2 Drawers, Wood Storage Sideboard with Slide Door, Corner Coffee Table with 2-Layer Storage Shelf for Dining Room Kitchen, 32 inch, Oak Color” https://www.amazon.com/LuxenH%C3%B6me-Natural-Cabinet-Drawers-Sideboard/dp/B097TTJMMT?ref=ast_sto_dp&th=1 Found online Nov. 12, 2021; Retrieved on Dec. 2, 2021.
- “LuxenHöme Weathered Wood Storage Single Barn Door Wall Cabinet, Farmhouse Wall Storage with Shelves Inside, Kitchen Wall Cabinet for Daily use, 22 Inch, Distressed Wood” https://www.amazon.com/LuxenH%C3%B6me-Weathered-Storage-Farmhouse-Disdressed/dp/B09GL3WNL9/ref=sr_1_51?dchild=1&m=ADLW6LFQJCSW&marketplaceID=ATVPDKIKX0DER&qid=1633737779&s=merchant-items&sr=1-51&th=1 Found online Nov. 12, 2021; Retrieved on Dec. 2, 2021.
- “LuxenHöme Pallet Sliding Door Wood Storage Cabinet, Modern Farmhouse Sliding Single Slat Door Storage Console, Coffee Table with Shelves Inside for Kitchen Living Room Bedroom, 32 inch, White/Brown” <https://www.amazon.com/Luxen-Pallet-Sliding-Storage-Cabinet/dp/B08PDV42M3?th=1> Found online Nov. 12, 2021; Retrieved on Dec. 2, 2021.
- “WAMPAT Farmhouse Sliding Barn Door Accent Cabinet Buffet Entryway Bar Storage Table for Living Room, Bathroom and Home Kitchen, 35 Inch, White” <https://www.ubuy.co.id/en/product/1NJGSUT4-wampat-farmhouse-sliding-barn-door-accent-cabinet-buffet-entryway-bar-storage-table-for-living-room> Found online Nov. 12, 2021; Retrieved on Dec. 2, 2021.
- “Belifeglory Barn Door Storage Cabinet, Farmhouse Sliding Barn Door Wood Accent Chest Kitchen Buffet Cabinet with Adjustable Shelves for Entryway Bar Home Office (Grey)” <https://www.ubuy.co.id/en/product/ZFHQXS0-belifeglory-barn-door-storage-cabinet-farmhouse-sliding-barn-door-wood-accent-chest-kitchen-buffet-c> Found online Nov. 12, 2021; Retrieved on Dec. 2, 2021.
- “Luxen Home Bathroom Wall Storage Cabinet” https://shopping.yahoo.com/product/00810000773121/Luxen-Home-Bathroom-Wall-Storage-Cabinet?pid=skimlinks_310-9997549 Found online Nov. 12, 2021; Retrieved on Dec. 2, 2021.
- Yosef Entertainment Center for TVs up to 55” <https://www.wayfair.com/furniture/pdp/yosef-entertainment-center-for-tvs-up-to-55-w005296062.html> Found online Nov. 12, 2021; Retrieved on Dec. 2, 2021.
- Saugeen TV Stand for TVs up to 64” <https://www.wayfair.com/furniture/pdp/gracie-oaks-saugeen-tv-stand-for-tvs-up-to-64-w003546807.html> Found online Nov. 12, 2021; Retrieved on Dec. 2, 2021.
- Mcglouthin TV Stand For TVs Up To 70” <https://cyewayinc.com/collections/tv-stand/products/mcglouthin-tv-stand-for-tvs-up-to-70?variant=40149957247139> Found online Nov. 12, 2021; Retrieved on Dec. 2, 2021.
- “Concordia TV Stand for TVs up to 65” with Fireplace Included” <https://www.wayfair.com/furniture/pdp/gracie-oaks-concordia-tv-stand-for-tvs-up-to-65-with-fireplace-included-w004032688.html> Found online Nov. 12, 2021; Retrieved on Dec. 2, 2021.
- “Uli 48” Solid Wood Kitchen Island” <https://www.wayfair.com/furniture/pdp/gracie-oaks-uli-kitchen-island-oak-butcher-block-top-grks7182.html> Found online Nov. 12, 2021; Retrieved on Dec. 2, 2021.
- “Alayziah 52” Wide Buffet Table” <https://www.wayfair.com/furniture/pdp/gracie-oaks-alayziah-52-wide-buffet-table-w003233776.html> Found online Nov. 12, 2021; Retrieved on Dec. 2, 2021.
- “Swedish Hill TV Stand for TVs up to 88” with Fireplace Included” <https://www.wayfair.com/furniture/pdp/gracie-oaks-swedish-hill-tv-stand-for-tvs-up-to-88-with-electric-fireplace-included-w000339756.html> Found online Nov. 12, 2021; Retrieved on Dec. 2, 2021.
- Clematite TV Stand for TVs up to 65” <https://www.wayfair.com/furniture/pdp/gracie-oaks-clematite-tv-stand-for-tvs-up-to-65-w003025551.html> Found online Nov. 12, 2021; Retrieved on Dec. 2, 2021.
- Arti TV Stand for TVs up to 65” <https://www.wayfair.com/furniture/pdp/gracie-oaks-arti-tv-stand-for-tvs-up-to-65-w004646275.html> Found online Nov. 12, 2021; Retrieved on Dec. 2, 2021.
- Garden City TV Stand for TVs up to 65” <https://www.wayfair.com/furniture/pdp/gracie-oaks-garden-city-tv-stand-for-tvs-up-to-65-w002818215.html> Found online Nov. 12, 2021; Retrieved on Dec. 2, 2021.
- “Seabeck TV Stand for TVs up to 55” with Fireplace Included” <https://www.wayfair.com/furniture/pdp/gracie-oaks-seabeck-w004878945.html> Found online Nov. 12, 2021; Retrieved on Dec. 2, 2021.
- “Theobald End Table” <https://www.wayfair.com/furniture/pdp/gracie-oaks-theobald-end-table-with-storage-w005274882.html> Found online Nov. 12, 2021; Retrieved on Dec. 2, 2021.
- “Rossitano Solid Wood End Table” <https://www.wayfair.com/furniture/pdp/gracie-oaks-rossitano-end-table-hlds6279.html> Found online Nov. 12, 2021; Retrieved on Dec. 2, 2021.
- “Berneau 30.7” Wide Sideboard” <https://www.wayfair.com/furniture/pdp/gracie-oaks-berneau-307-wide-sideboard-w003399479.html> Found online Nov. 12, 2021; Retrieved on Dec. 2, 2021.
- “FurnitureR 32 Inch Sideboard Open Storage Cabinet with Sliding Door, 2 Shelves for Kitchen & Dining Furniture,Manufactured Wood” <https://www.amazon.com/FurnitureR-Sideboard-Storage-Furniture-Manufactured/dp/B097PFWYDT> Found online Nov. 12, 2021; Retrieved on Dec. 2, 2021.
- “1—Door Accent Cabinet” <https://www.wayfair.com/furniture/pdp/39f-inc-newbarn-cabinet-tnfi2607.html> Found online Nov. 12, 2021; Retrieved on Dec. 2, 2021.
- “Newbarn TV Stand” <https://www.homylin.com/products/newbarn-tv-stand> Found online Nov. 12, 2021; Retrieved on Dec. 2, 2021.
- “32” Farmhouse Sliding Barn Door Storage Cabinet ,Wood Accent Cabinet Kitchen Buffet Cabinet With Adjustable Shelves White” <https://www.walmart.com/ip/Farmhouse-Sliding-Barn-Storage-Cabinet/306453208> Found online Nov. 12, 2021; Retrieved on Dec. 2, 2021.
- “TV Stand with Barn Door, 2 Open Compartments, Cable Management, TV Table for TVs up to 57 Inches” <https://www.walmart.com/ip/TV-Stand-with-Barn-Door-2-Open-Compartments-Cable-Management-TV-Table-for-TVs-up-to-57-Inches/935482009> Found online Nov. 12, 2021; Retrieved on Dec. 2, 2021.
- “TV Stand with Barn Door, 2 Open Compartments, Cable Management, TV Table for TVs up to 57 Inches Grey” <https://www.walmart.com/ip/TV-Stand-with-Barn-Door-2-Open-Compartments-Cable-Management-TV-Table-for-TVs-up-to-57-Inches-Grey/379595098> Found online Nov. 12, 2021 Retrieved on Dec. 2, 2021.
- Office Action for U.S. Appl. No. 29/743,423; dated Dec. 3, 2021.

(56)

References Cited

OTHER PUBLICATIONS

Office Action for U.S. Appl. No. 29/743,246; dated Dec. 6, 2021.
Notice of Allowance for U.S. Appl. No. 29/743,237; dated Dec. 13, 2021.

DIY Media Center / Buffet With Barn Doors; “Against the Grain” video; <https://www.youtube.com/watch?v=IOF-uZeuxE> ; Found online on Dec. 14, 2021.

Ana White, Grandy Barn Door Console; “How to build barn door console or buffet—free plans by ANA-WHITE.com” <http://www.ana-white.com/woodworking-projects/grandy-barn-door-console> ; Found online on Dec. 14, 2021; Retrieved on Dec. 17, 2021.

* cited by examiner

‡ imported from a related application

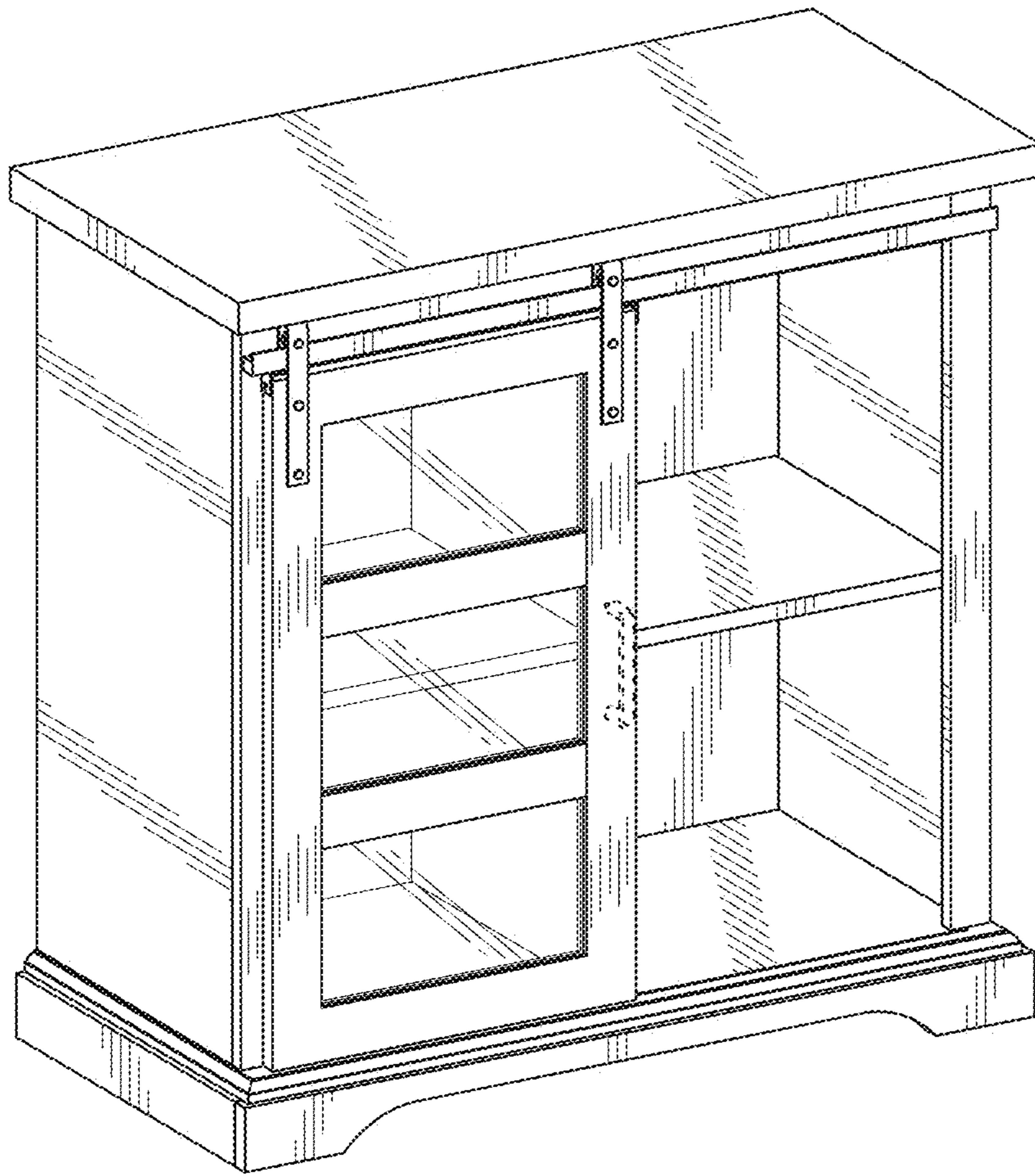


FIG. 1

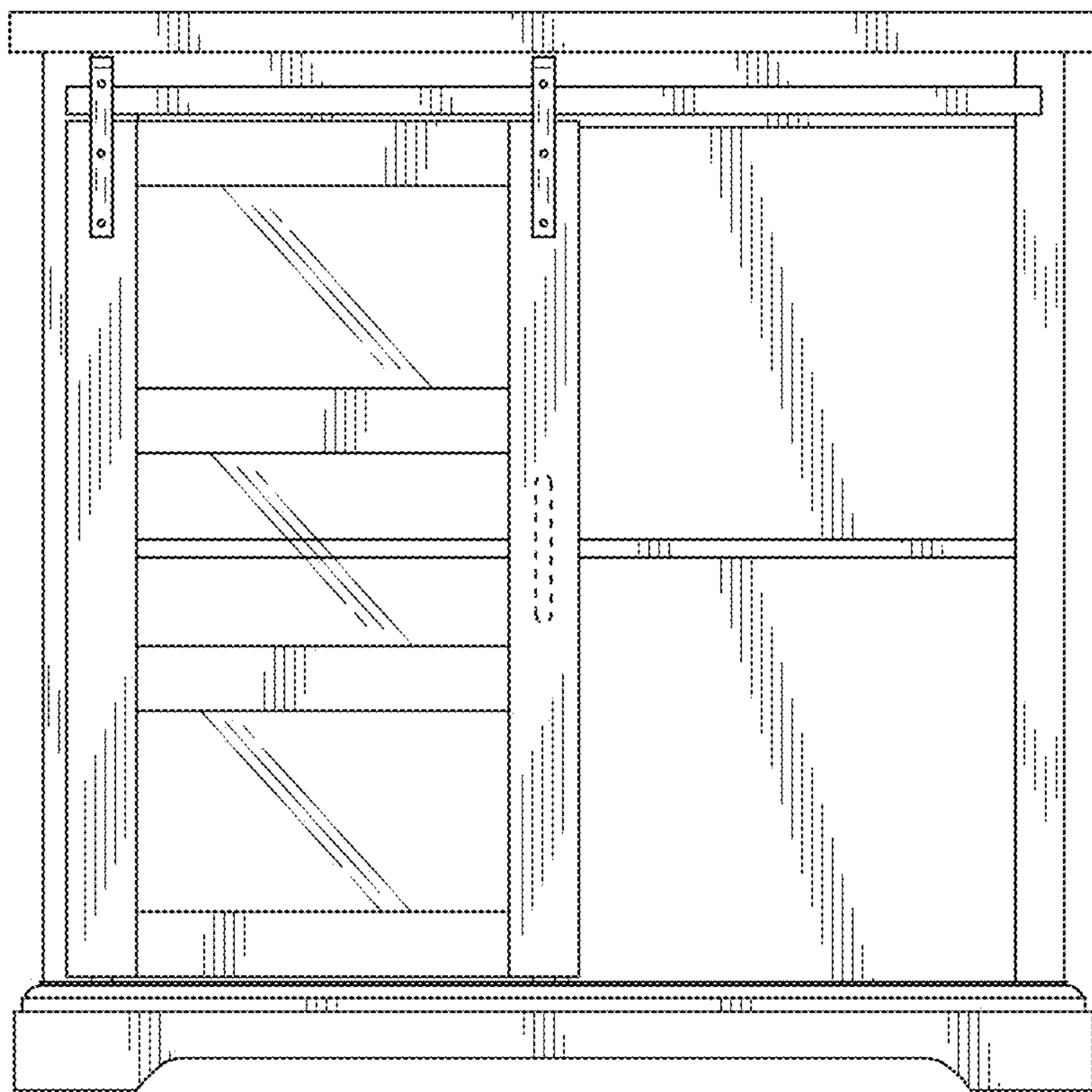


FIG. 2

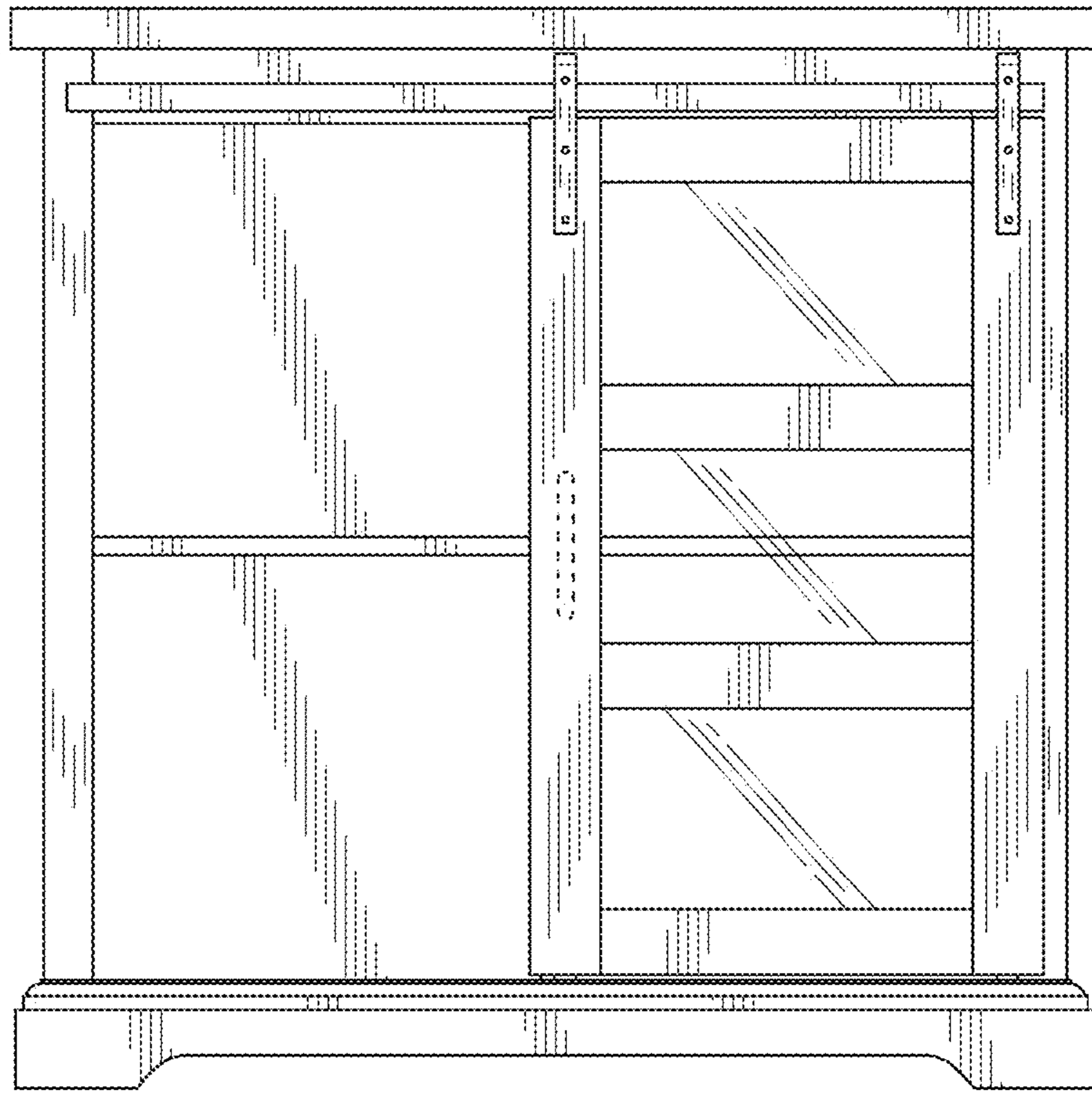


FIG. 3

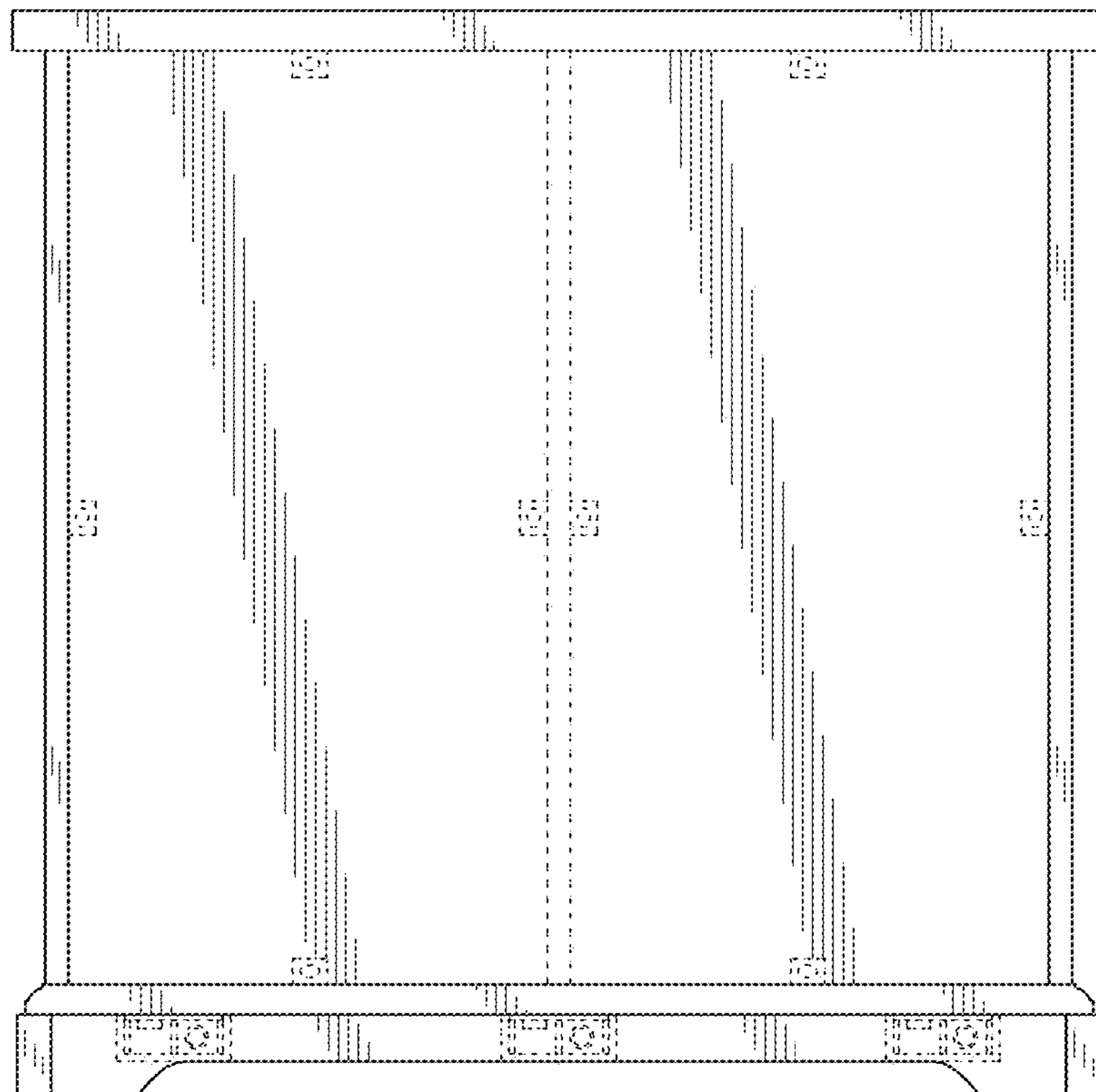


FIG. 4

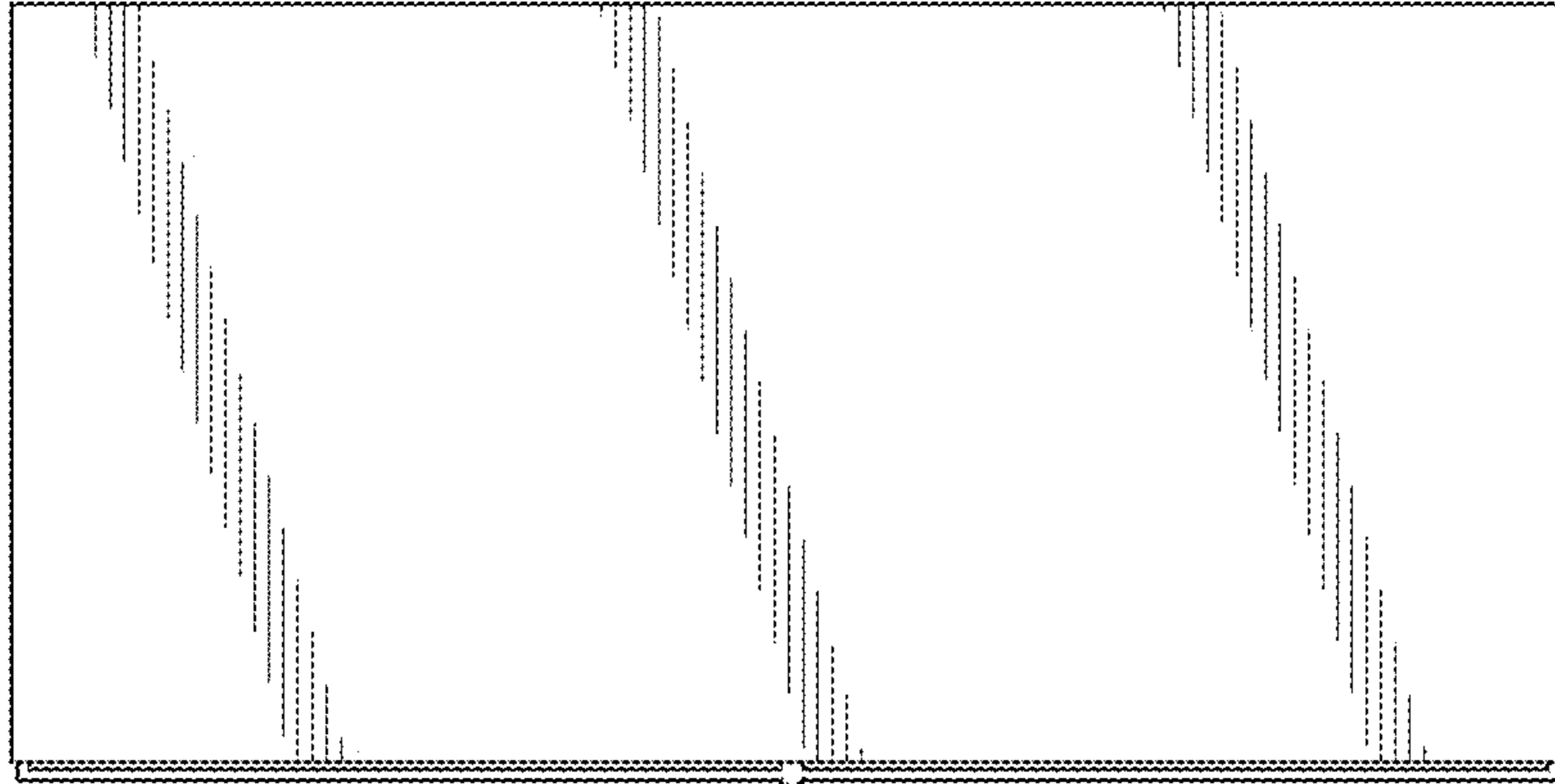


FIG. 5

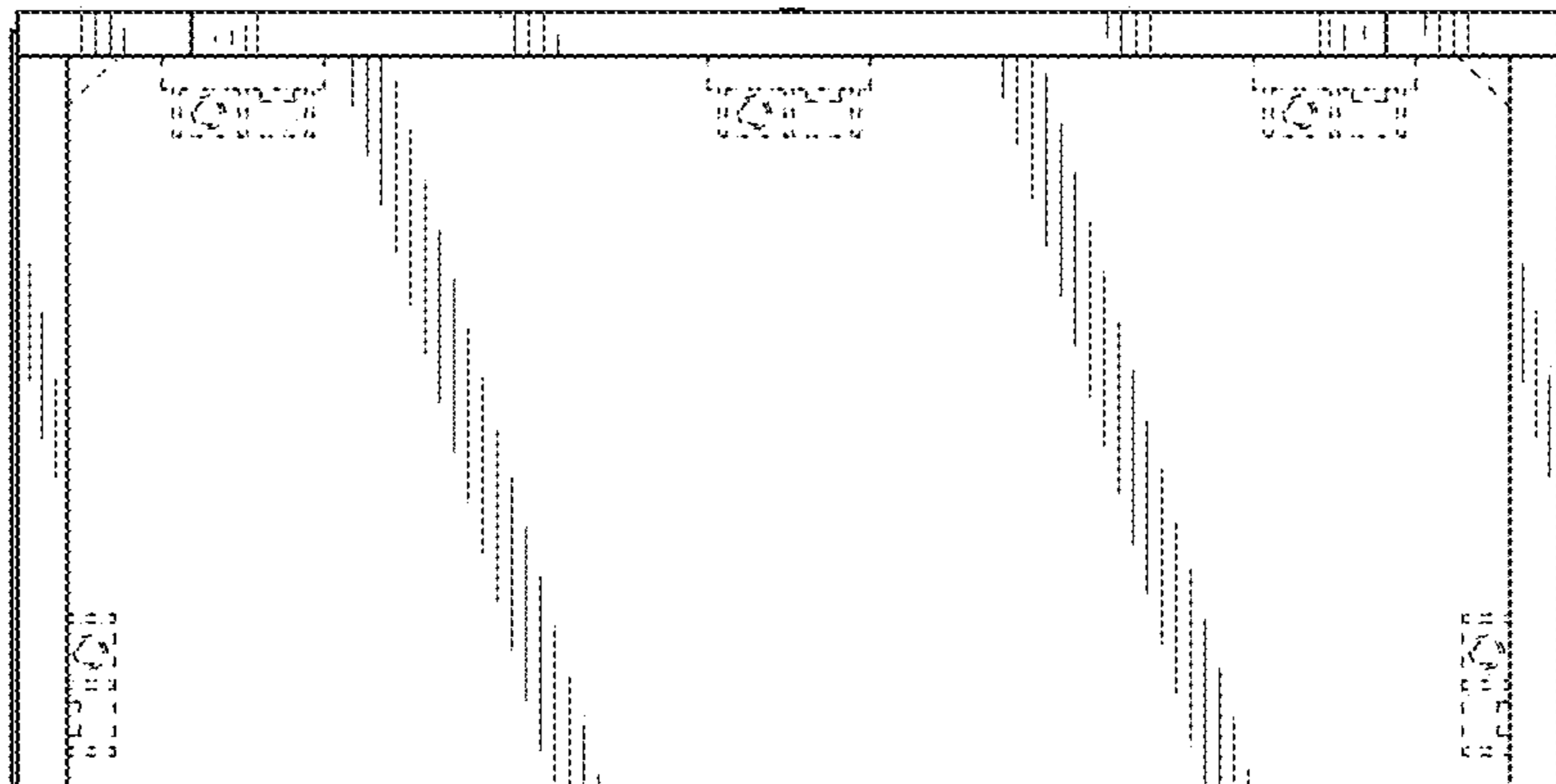


FIG. 6

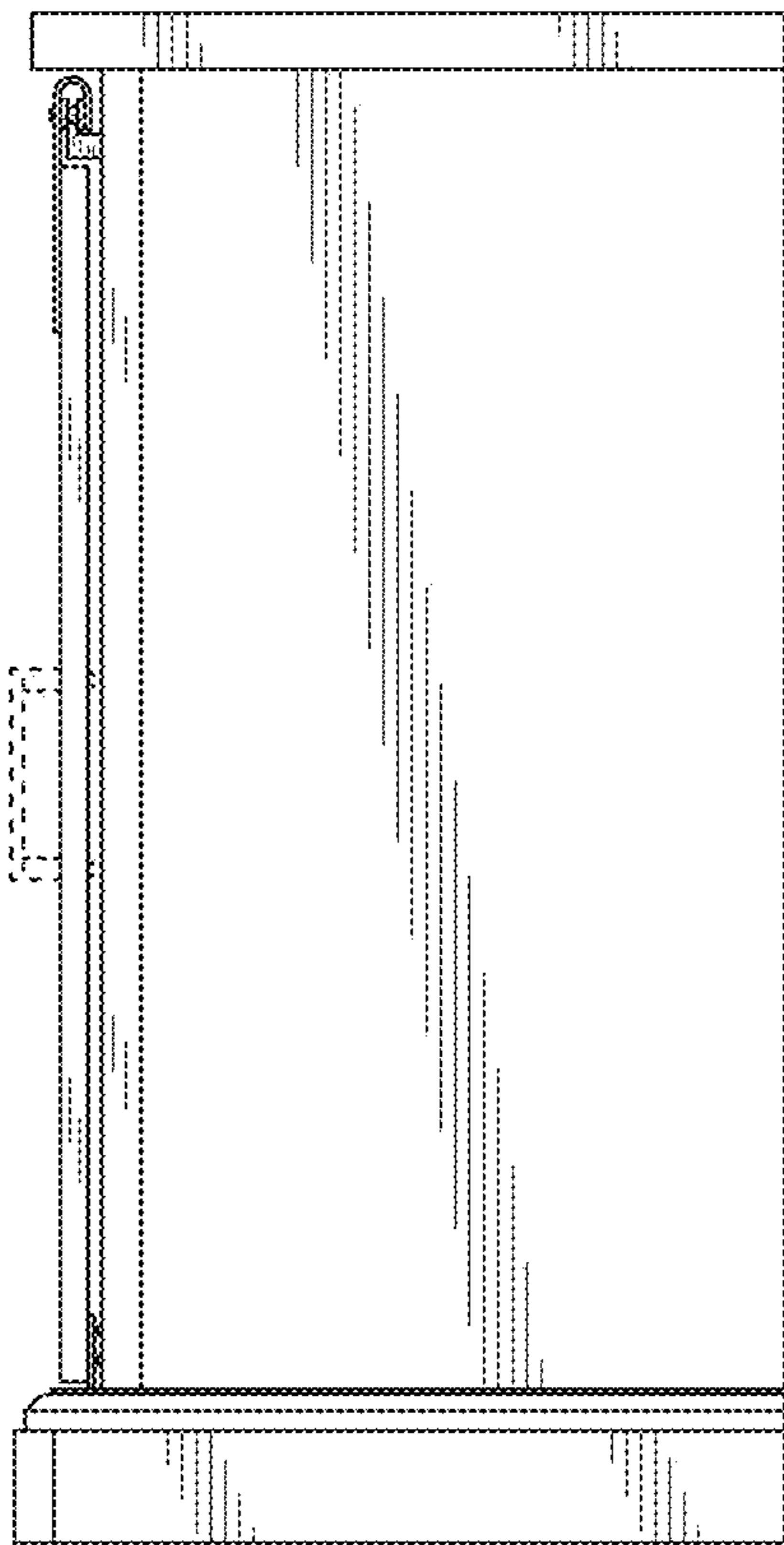


FIG. 7

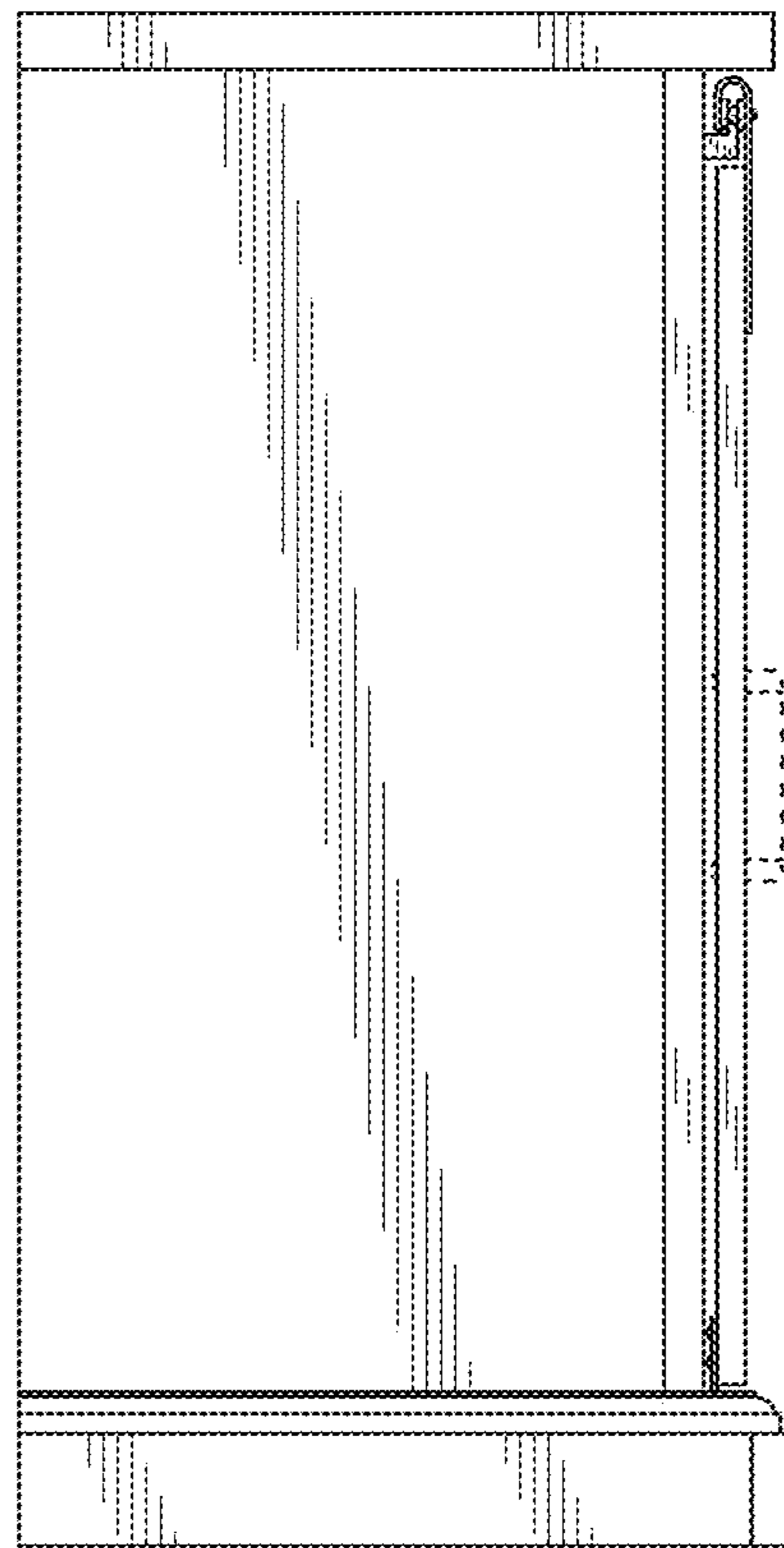


FIG. 8