

US00D948249S

(12) **United States Design Patent**
Li

(10) **Patent No.:** **US D948,249 S**
(45) **Date of Patent:** **** Apr. 12, 2022**

- (54) **TABLE**
- (71) Applicant: **SHENZHEN KHD TECHNOLOGY CO., LTD**, Shenzhen (CN)
- (72) Inventor: **Kai Li**, Shenzhen (CN)
- (73) Assignee: **SHENZHEN KHD TECHNOLOGY CO., LTD**, Shenzhen (CN)
- (**) Term: **15 Years**
- (21) Appl. No.: **29/752,351**
- (22) Filed: **Sep. 26, 2020**
- (51) **LOC (13) Cl.** **06-03**
- (52) **U.S. Cl.**
USPC **D6/656.13**
- (58) **Field of Classification Search**
USPC D6/641, 642, 656, 656.1, 656.13, 656.14, D6/656.16, 656.18, 656.19, 685, 686, D6/691, 691.6
CPC .. A47B 7/00; A47B 9/00; A47B 13/00; A47B 13/02; A47B 13/04; A47B 13/06; A47B 13/08; A47B 13/10; A47B 13/12; A47B 17/00; A47B 17/003; A47B 17/006; A47B 21/00; A47B 2200/0001; A47B 2200/0002; A47B 2200/0011; A47B 2200/002; A47B 2200/0066
See application file for complete search history.

- D244,114 S * 4/1977 Neff A47B 13/06 D6/691.8
- D444,967 S * 7/2001 Mourgue A47B 3/10 D6/691.6
- D454,732 S * 3/2002 Frenkler D6/656
- D616,674 S * 6/2010 Sexton D6/656.18
- D649,381 S 11/2011 Mainzer
- D835,927 S 12/2018 Bougay
- D849,453 S * 5/2019 Hu D6/642
- D866,232 S * 11/2019 Davis D6/691.6
- 10,477,962 B1 * 11/2019 Kourieh A47B 13/06
- 2015/0272315 A1 * 10/2015 Merey A47B 3/0918 108/50.02

OTHER PUBLICATIONS

Writing Computer Desk, by Covas—Amazon.com, date first available, Apr. 3, 2017 https://www.amazon.com/Writing-Computer-Industrial-Folding-Notebook/dp/B06XZV3F8F/ref=sr_1_11?dchild=1&keywords=Writing+Desk&qid=1612475023&sr=8-11 retrieved from the internet on Feb. 4, 2021.*

* cited by examiner

Primary Examiner — Mary Ann Calabrese

(57) **CLAIM**

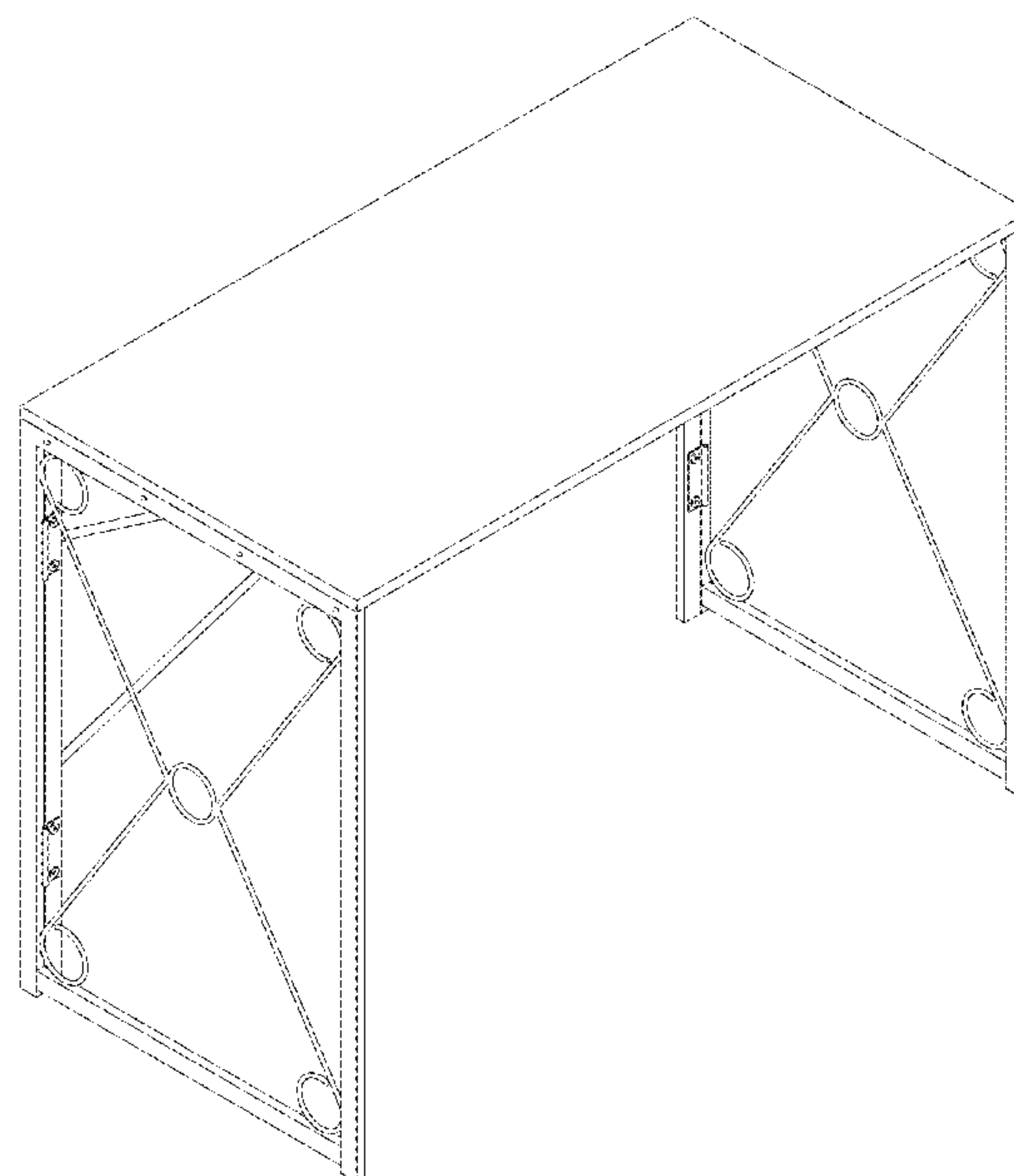
The ornamental design for a table, as shown and described.

DESCRIPTION

FIG. 1 is a perspective view of a table showing my new design;
FIG. 2 is an alternative perspective view thereof;
FIG. 3 is a front view thereof;
FIG. 4 is a bottom plan view thereof;
FIG. 5 is a back view thereof;
FIG. 6 is a top plan view thereof;
FIG. 7 is a left side view thereof; and,
FIG. 8 is a right side view thereof.

1 Claim, 8 Drawing Sheets

- (56) **References Cited**
U.S. PATENT DOCUMENTS
3,128,727 A * 4/1964 Rainwater A47B 3/10 108/129
D220,704 S * 5/1971 Kramer D6/691.8
D228,107 S * 8/1973 Klotz et al. D6/691.6
D239,670 S * 4/1976 Varea A47B 3/0918 D6/382



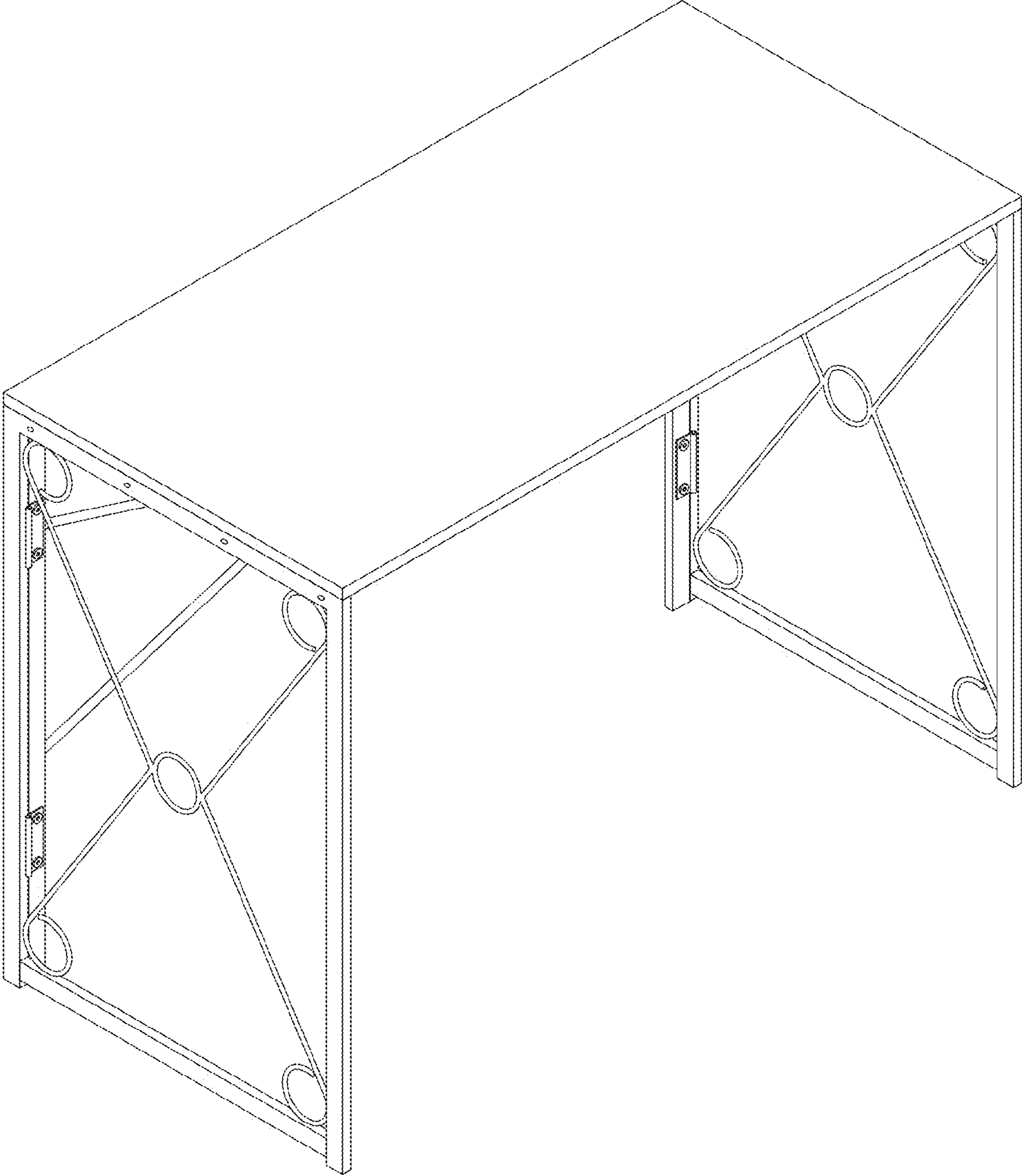


FIG.1

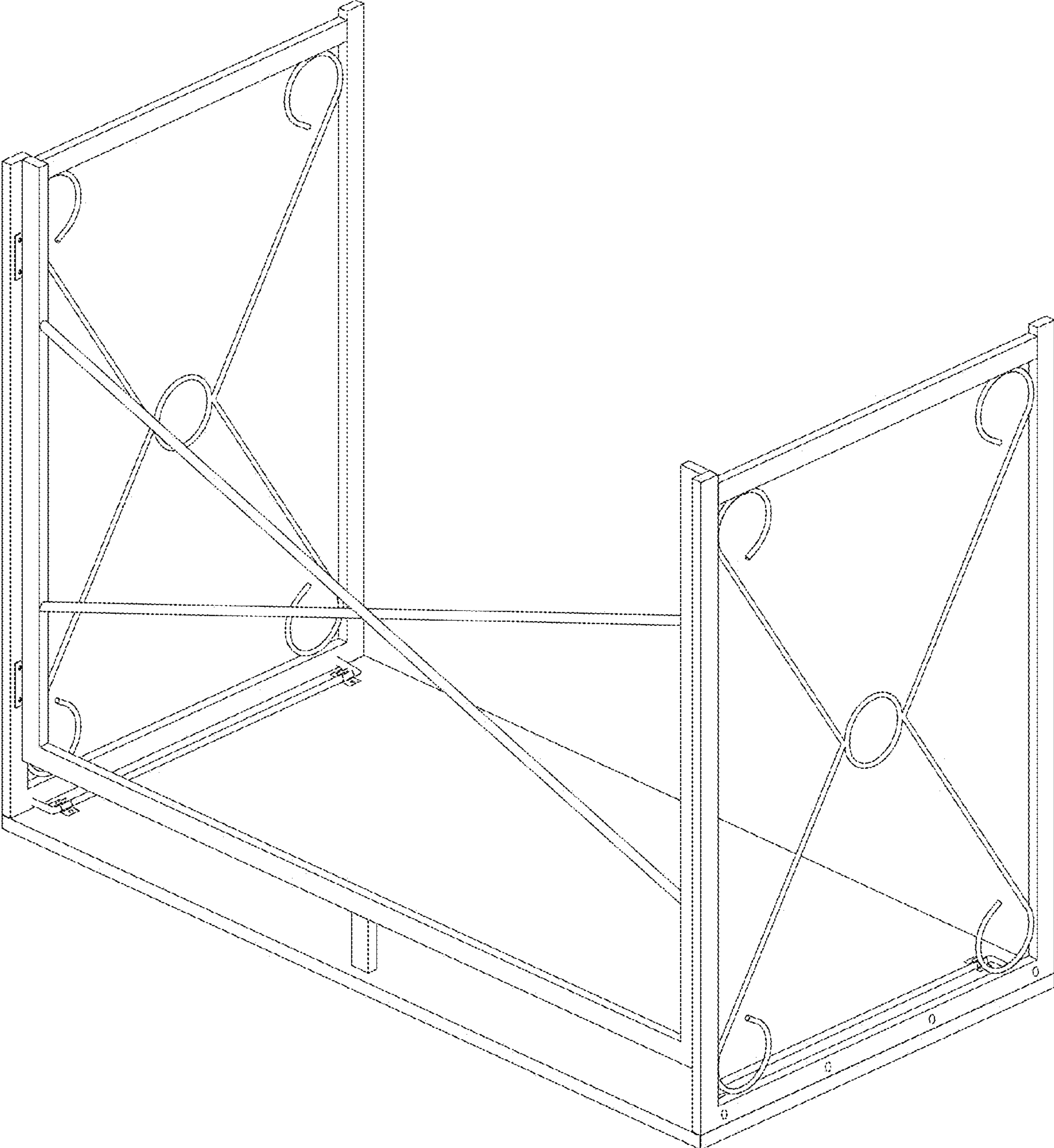


FIG. 2

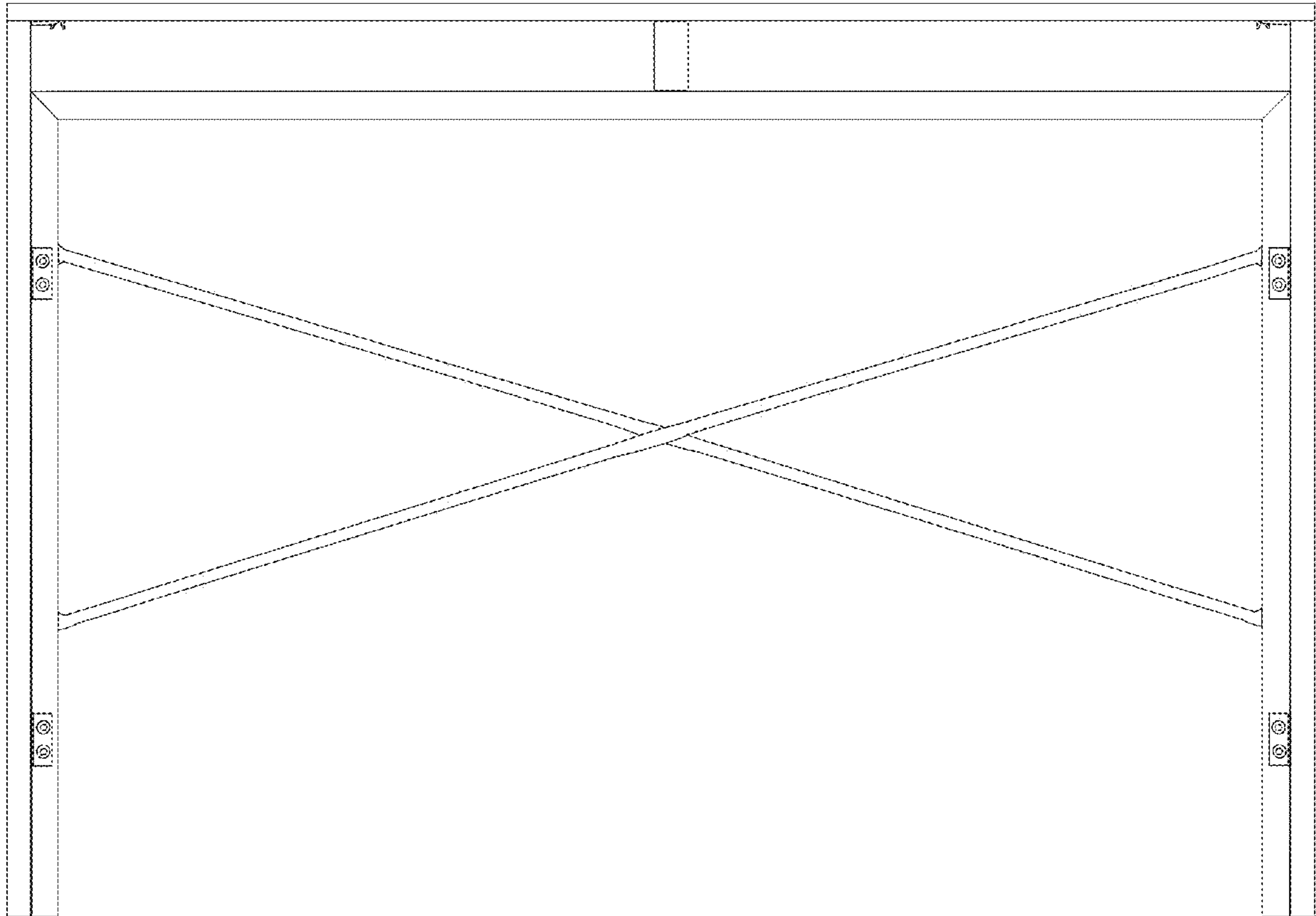


FIG.3

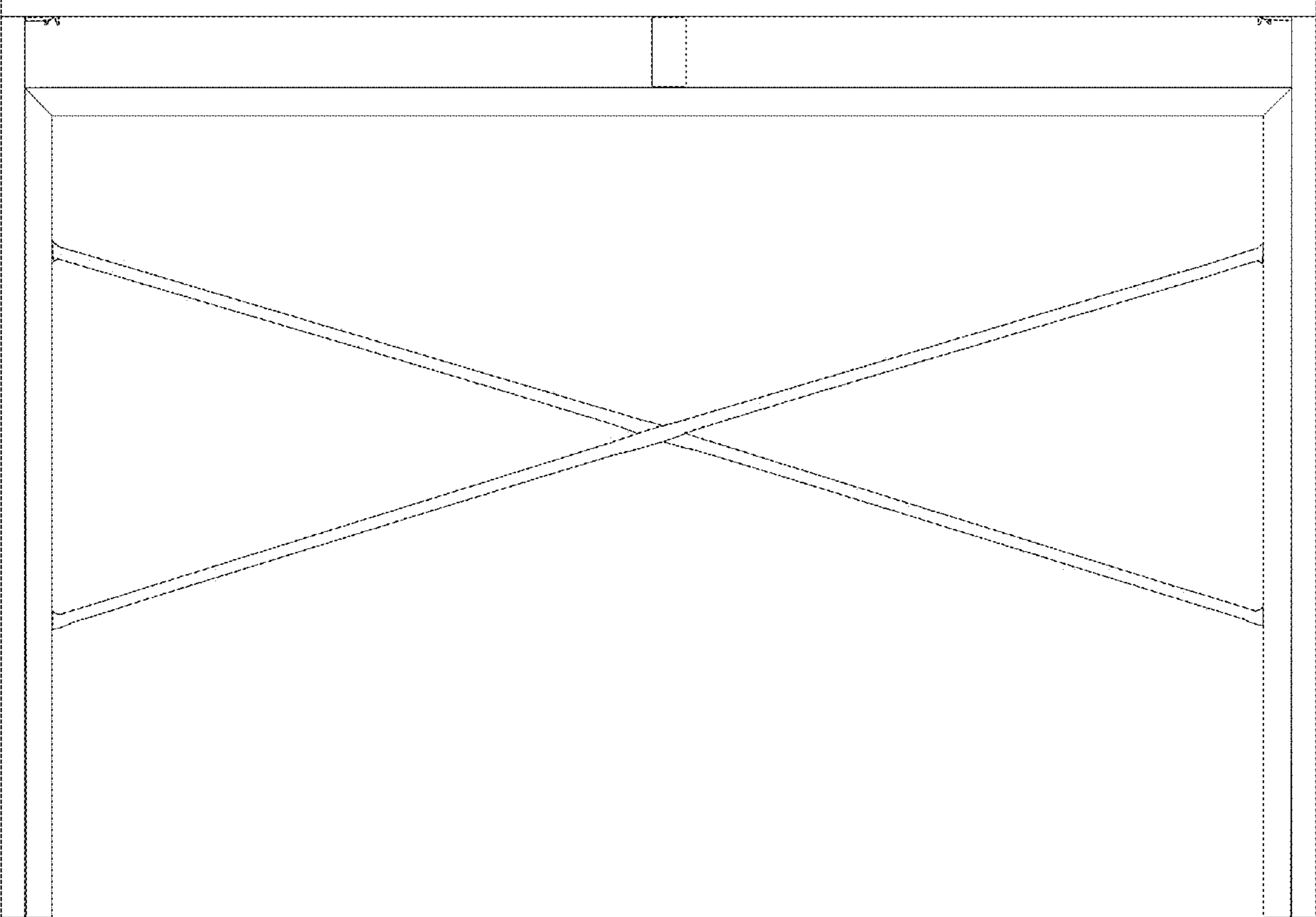


FIG.4

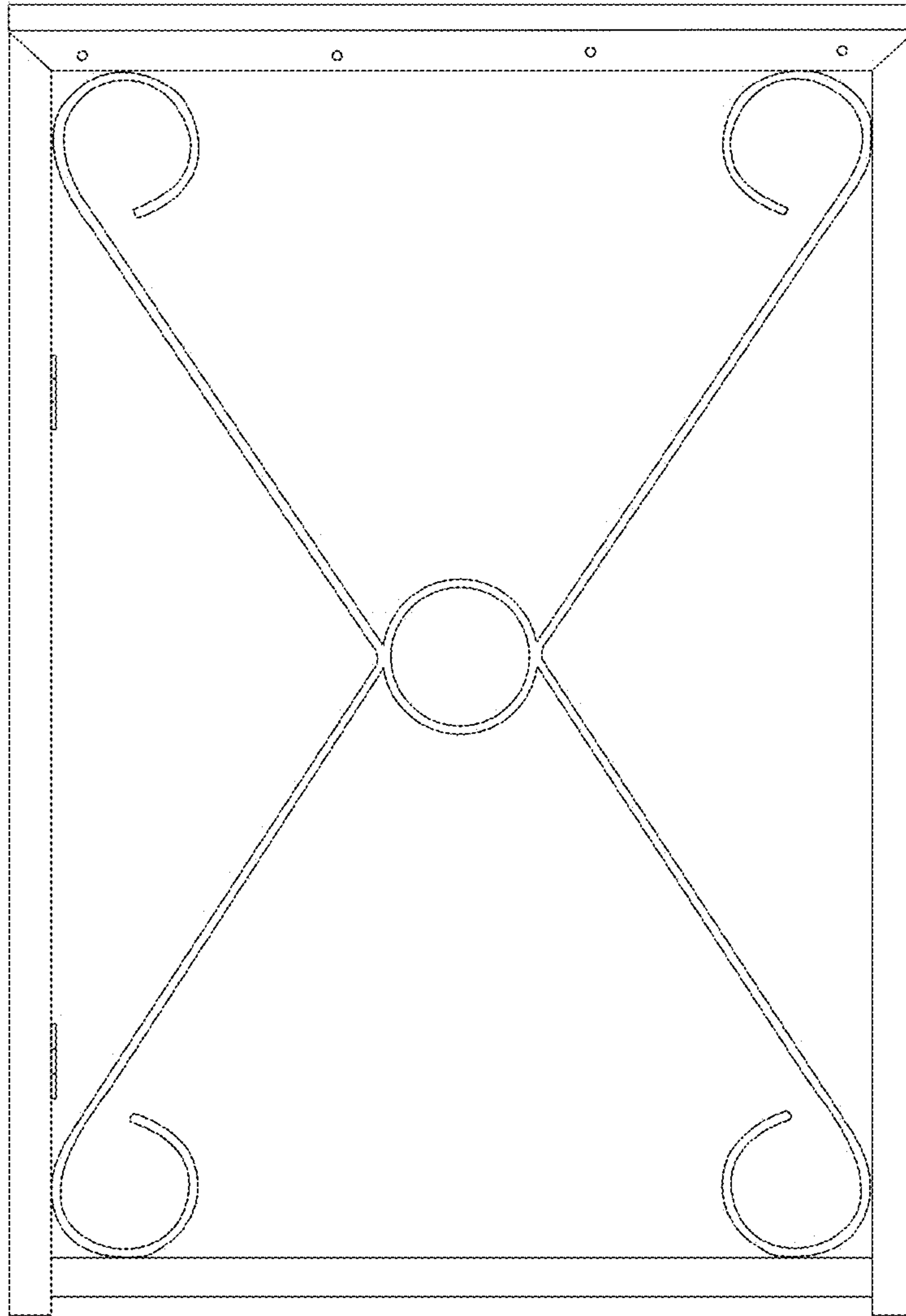


FIG. 5

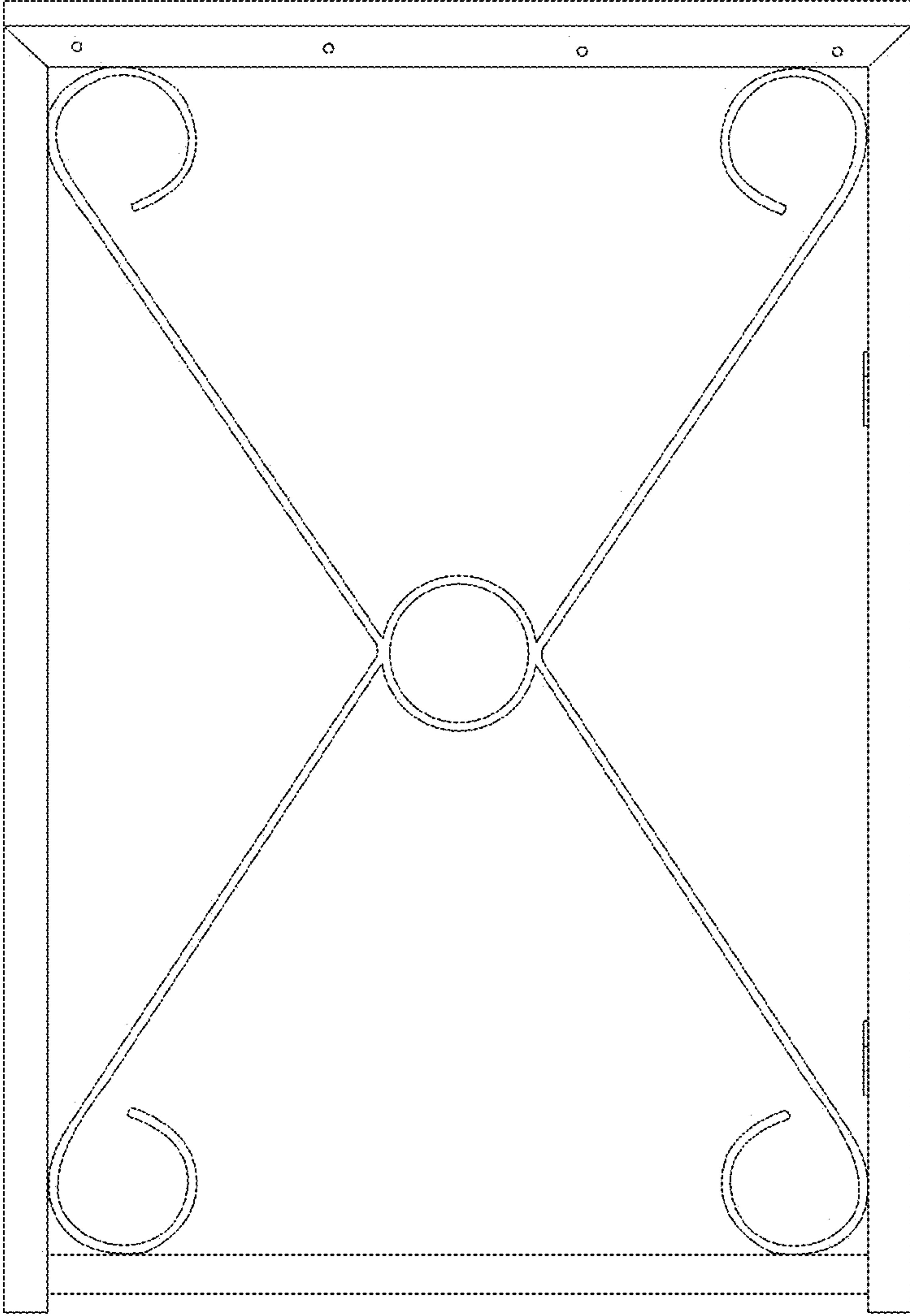


FIG.6

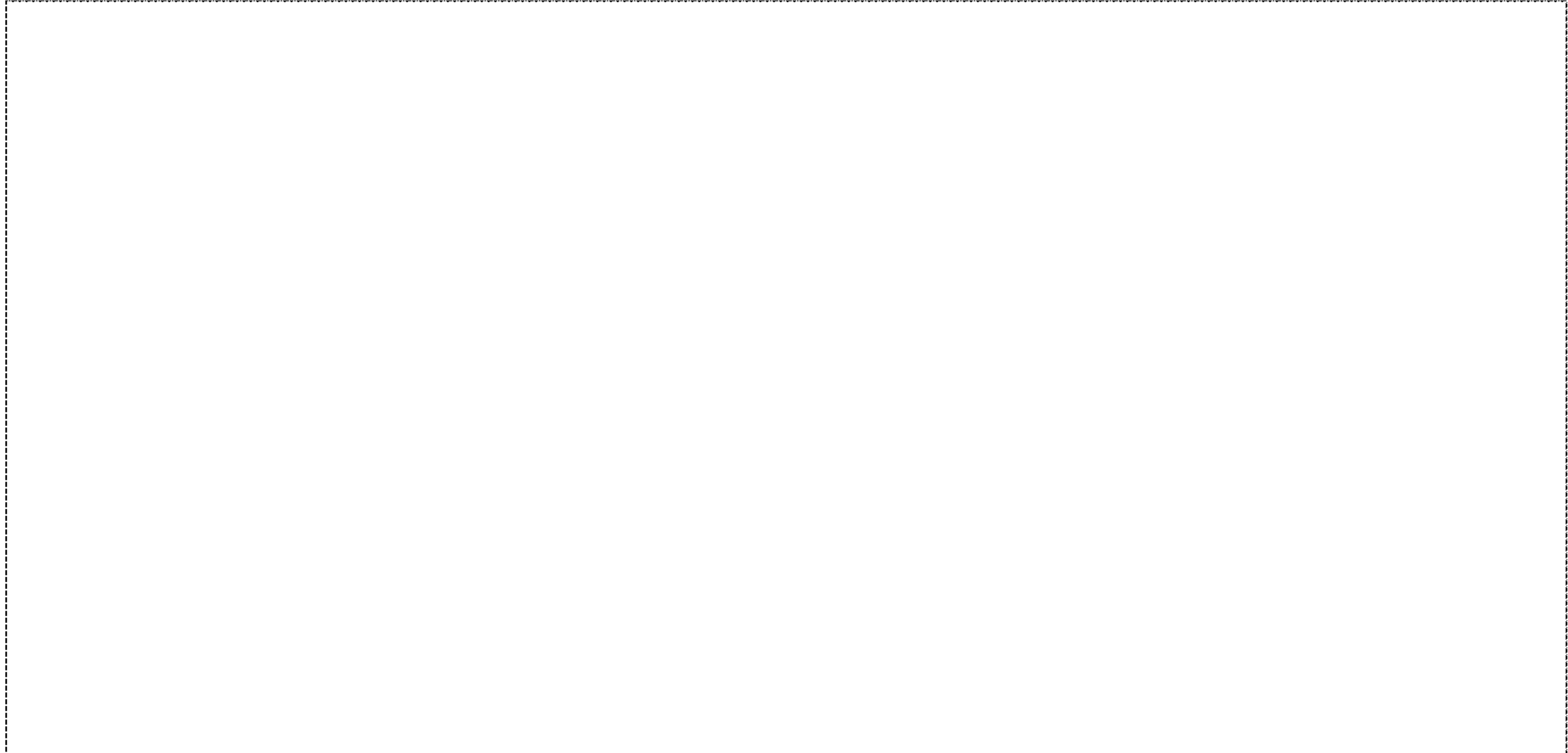


FIG. 7



FIG.8