



US00D948247S

(12) **United States Design Patent**
Bosstick

(10) **Patent No.:** **US D948,247 S**

(45) **Date of Patent:** **** Apr. 12, 2022**

- (54) **INFLATABLE AIRCRAFT BED**
- (71) Applicant: **JetBed, Inc.**, San Diego, CA (US)
- (72) Inventor: **Gerald Bosstick**, Rancho Santa Fe, CA (US)
- (73) Assignee: **JetBed, Inc.**, San Diego, CA (US)
- (**) Term: **15 Years**
- (21) Appl. No.: **29/755,388**
- (22) Filed: **Oct. 20, 2020**
- (51) **LOC (13) Cl.** **06-09**
- (52) **U.S. Cl.**
USPC **D6/604**
- (58) **Field of Classification Search**
USPC D6/333, 349, 355, 375, 388, 512, 563,
D6/564, 595, 596, 601, 604, 611, 707,
D6/715, 716, 716.1; D24/183–185, 234;
D21/803, 804, 805, 809
CPC A47G 9/10; A47G 9/1009; A47G 9/1027;
A47G 9/1045; A47G 9/1063; A47G
9/1072; A47G 9/1081
See application file for complete search history.

2,796,111 A	6/1957	Janczyszyn
3,058,769 A	10/1962	Willson
3,097,876 A	7/1963	Willson
3,143,746 A	8/1964	Spear
3,193,324 A	7/1965	Stock
3,265,438 A	8/1966	Regan
3,420,574 A	1/1969	Smith
3,513,489 A	5/1970	Miller
3,570,024 A	3/1971	Griffin
3,600,725 A	8/1971	McCartney
3,648,306 A	3/1972	Auerbach
3,696,449 A	10/1972	Smith
D228,050 S *	8/1973	Wieland D6/604
3,833,947 A	9/1974	Sorenson
3,910,630 A	10/1975	Runyon
3,978,530 A	9/1976	Amarantos

(Continued)

FOREIGN PATENT DOCUMENTS

DE	2526473	12/1976
DE	2526473 A1	12/1976

(Continued)

Primary Examiner — Jennifer L Rempfer
(74) *Attorney, Agent, or Firm* — Plant & Planet Law Firm

(57) **CLAIM**

The ornamental design for an inflatable aircraft bed, as shown and described.

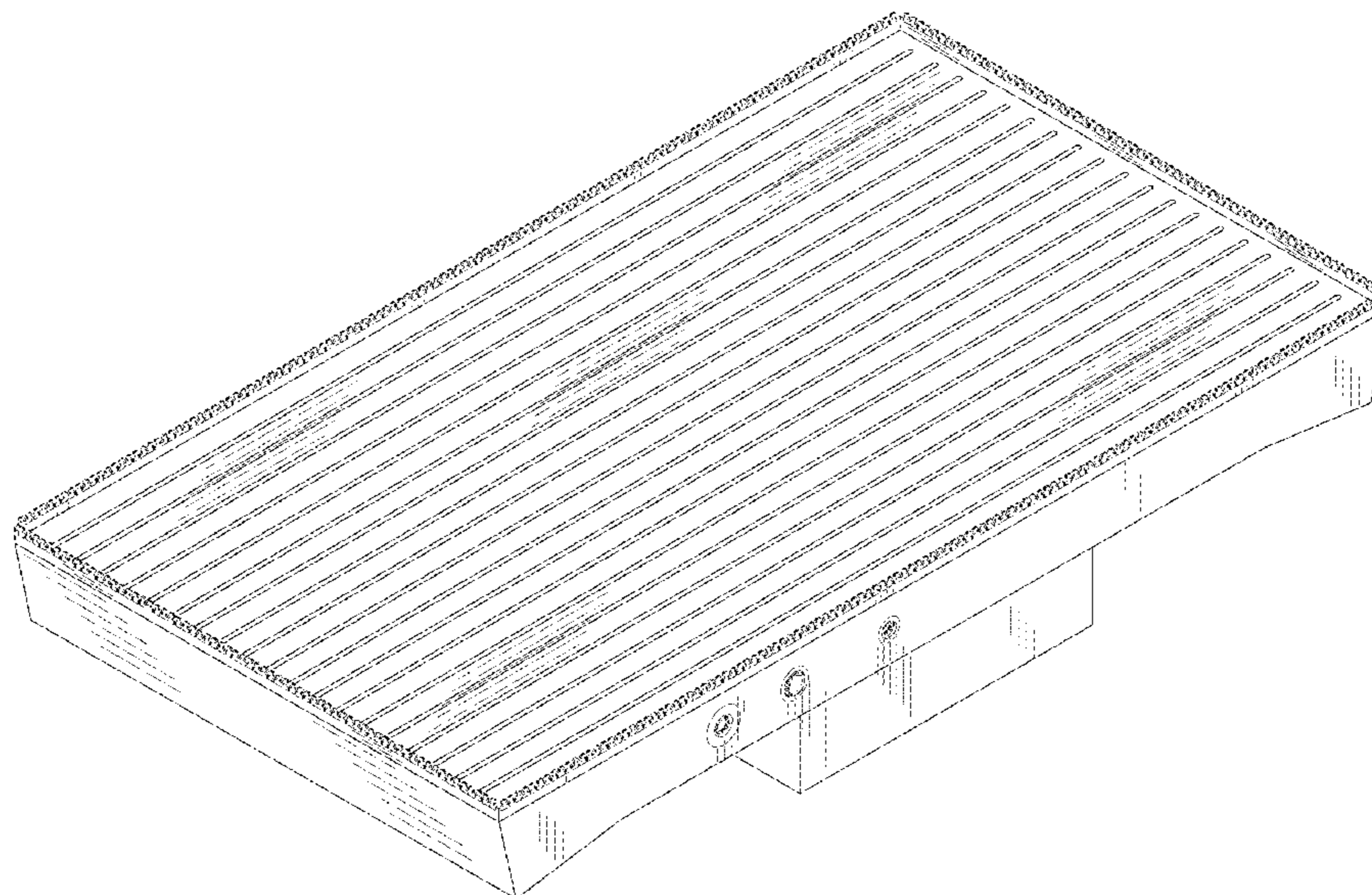
DESCRIPTION

FIG. 1 is a top perspective of the aircraft bed.
FIG. 2 is a bottom perspective of the aircraft bed.
FIG. 3 is a top view of aircraft bed.
FIG. 4 is a bottom view of the aircraft bed.
FIG. 5 is a right-side view of the aircraft bed.
FIG. 6 is a left-side view of the aircraft bed.
FIG. 7 is a rear view the aircraft bed; and,
FIG. 8 is a front view the aircraft bed.

1 Claim, 5 Drawing Sheets

(56) **References Cited**
U.S. PATENT DOCUMENTS

535,365 A	3/1895	Fadner
691,118 A	1/1902	Curlin
988,513 A	4/1911	Shea
995,234 A	6/1911	Emerson
1,983,119 A	12/1934	Boyd
2,023,173 A	12/1935	Hiener
2,163,198 A	6/1939	Gossard
2,177,174 A	10/1939	Eccles
2,348,407 A	5/1944	Hender
2,372,218 A	3/1945	Manson
2,504,645 A	4/1950	Burnett
2,648,072 A	8/1953	De Blioux
2,676,337 A	4/1954	Soeder



(56)

References Cited

U.S. PATENT DOCUMENTS

4,003,098 A 1/1977 Fink
 4,040,655 A 8/1977 Garrick
 4,085,962 A 4/1978 Wahls
 4,131,313 A 12/1978 Jacobs
 4,262,045 A 4/1981 Cheng
 4,299,233 A 11/1981 Lemelson
 4,346,132 A 8/1982 Cheng
 4,745,648 A 5/1988 Viesturs
 4,943,105 A 7/1990 Kacar
 D314,804 S 2/1991 Thomas
 D315,187 S 3/1991 Thomas
 5,005,702 A 4/1991 Davis
 5,181,286 A 1/1993 McNulty
 5,185,896 A 2/1993 Bonda
 5,333,336 A 8/1994 Langsam
 5,544,373 A 8/1996 Chang
 5,639,141 A 6/1997 Hanemaayer
 5,816,645 A 10/1998 Grimes
 D405,291 S * 2/1999 Yu D6/406.5
 5,960,497 A 10/1999 Castellino
 5,966,755 A 10/1999 Pittman
 6,006,383 A 12/1999 Pile
 D419,495 S 1/2000 Muhanna
 6,015,186 A 1/2000 Grieger
 D420,238 S 2/2000 Jefferson
 6,170,786 B1 1/2001 Park
 D444,550 S 7/2001 Cobbs
 6,428,083 B2 8/2002 Dettoni
 D463,702 S 10/2002 Ku
 6,591,437 B1 7/2003 Phillips
 6,604,252 B1 8/2003 Lee
 6,612,606 B1 9/2003 Bergenheim
 D484,213 S 12/2003 Linder
 D486,344 S 2/2004 Ku
 D487,373 S 3/2004 Ku
 D501,112 S 1/2005 Kasatshko
 6,857,142 B2 2/2005 Fruge
 D502,350 S 3/2005 O'Reagan
 D507,445 S 7/2005 Song
 D509,698 S 9/2005 Torres
 D513,915 S 1/2006 Jacklin
 7,097,204 B2 8/2006 Jessup
 7,246,393 B2 7/2007 Westendorf et al.

7,264,275 B2 9/2007 Wang
 D560,947 S 2/2008 Kreucher
 D584,911 S 1/2009 Hisey
 7,845,718 B1 12/2010 Bosstick
 7,857,370 B2 12/2010 Heller
 D634,961 S 3/2011 Lowery
 8,065,761 B2 11/2011 Hanrahan
 8,474,079 B1 7/2013 Gangitano
 8,656,541 B2 2/2014 Muollo
 8,662,367 B2 3/2014 Panaro
 9,096,150 B2 8/2015 Cuddihy
 9,545,999 B2 1/2017 Henshaw
 9,738,185 B1 8/2017 Guygaew
 9,944,205 B2 4/2018 Lu
 D818,289 S 5/2018 Facco
 D818,652 S 5/2018 Song
 10,099,581 B2 10/2018 Hjerpe
 D834,351 S 11/2018 Bosstick
 D861,378 S * 10/2019 Pally D6/604
 2003/0140416 A1 7/2003 Olenick
 2005/0044634 A1 3/2005 Wang
 2005/0087650 A1 4/2005 Quan
 2005/0102751 A1 5/2005 Kang
 2007/0057557 A1 3/2007 Moon
 2007/0102975 A1 5/2007 Gardner
 2010/0180382 A1 7/2010 Hunter
 2010/0229298 A1 9/2010 Davis
 2011/0047703 A1 3/2011 Tarsaud
 2012/0054964 A1 3/2012 Stroh
 2016/0096598 A1 4/2016 Harkrider
 2016/0367422 A1 12/2016 Weedling
 2017/0035373 A1 2/2017 Davis
 2017/0053568 A1 2/2017 Aires
 2017/0197720 A1 7/2017 Kiraz
 2017/0217351 A1 8/2017 Jaradi
 2019/0047445 A1 2/2019 Kim
 2019/0217956 A1 7/2019 Diep
 2020/0164779 A1 5/2020 Bosstick
 2020/0337467 A1 10/2020 Cannon
 2020/0337667 A1 10/2020 Cannon

FOREIGN PATENT DOCUMENTS

DE 3637648 A1 5/1987
 DE 3637648 A1 5/1987

* cited by examiner

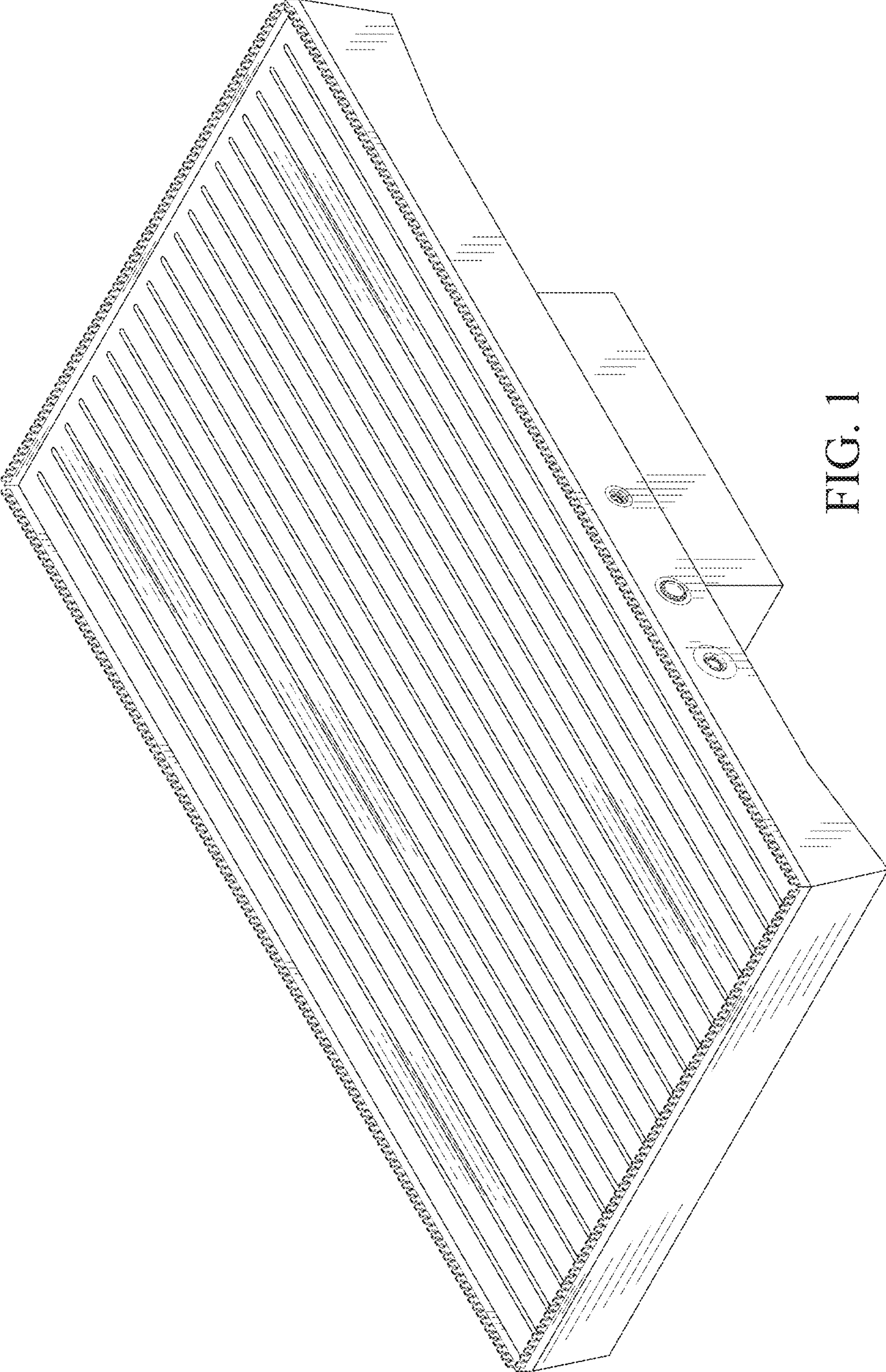


FIG. 1

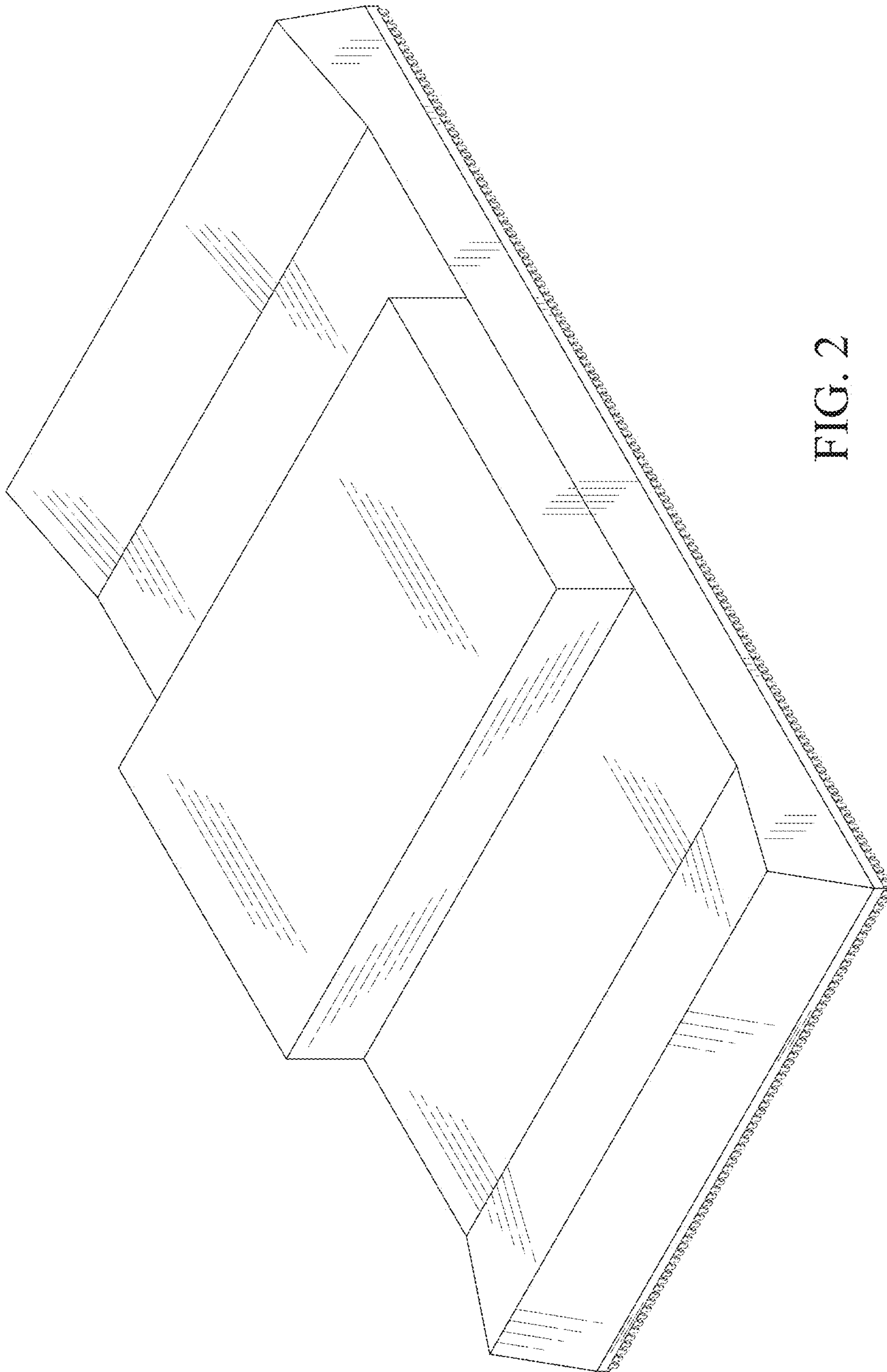


FIG. 2

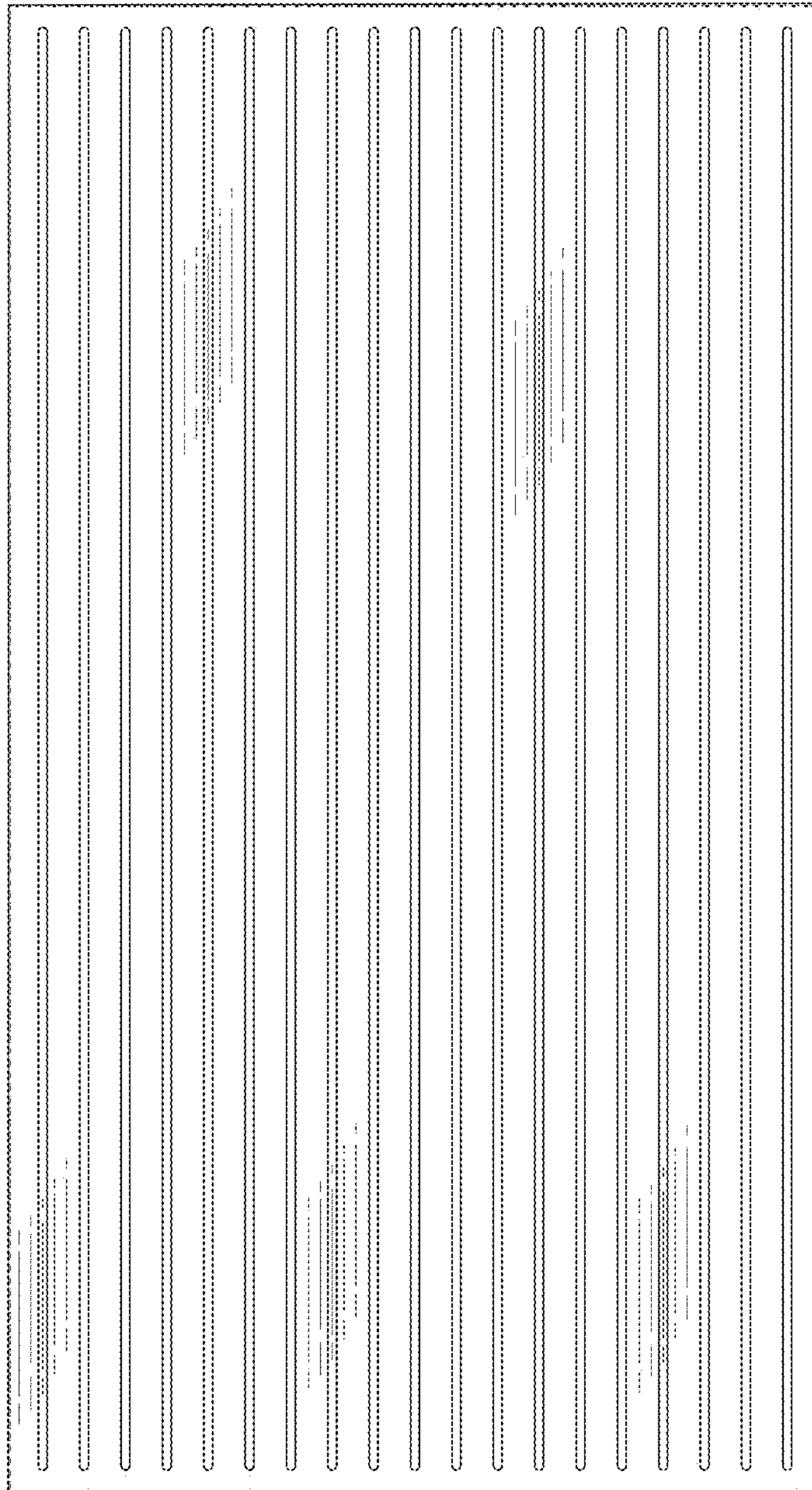


FIG. 3

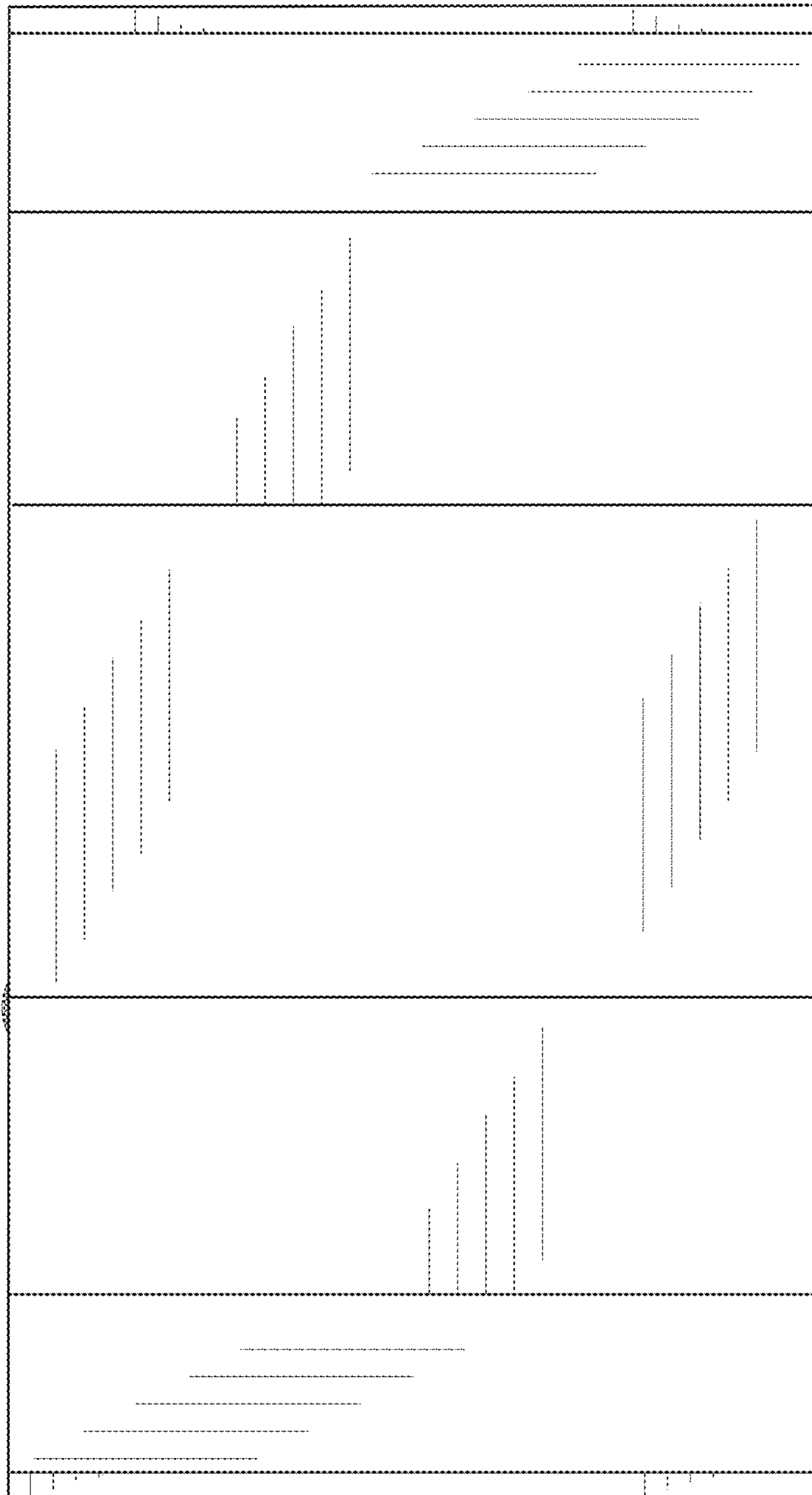


FIG. 4

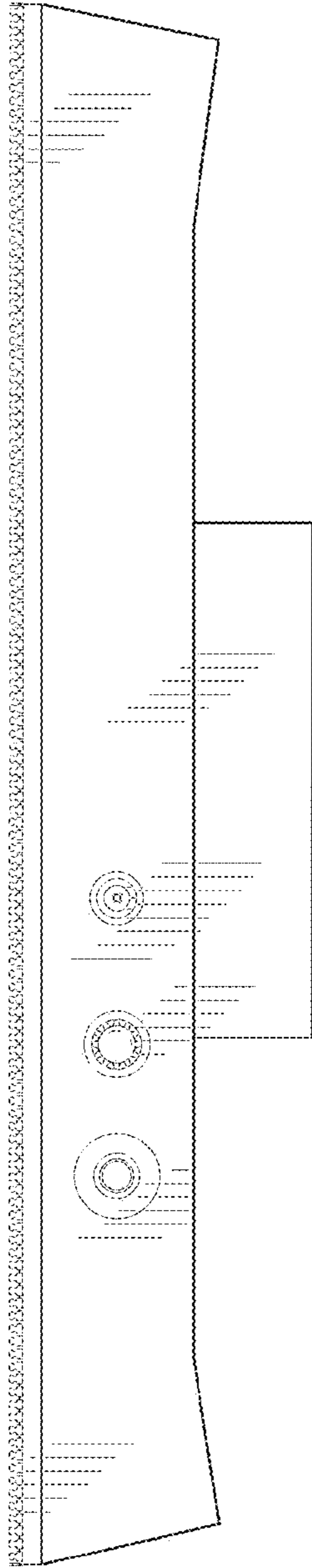


FIG. 5

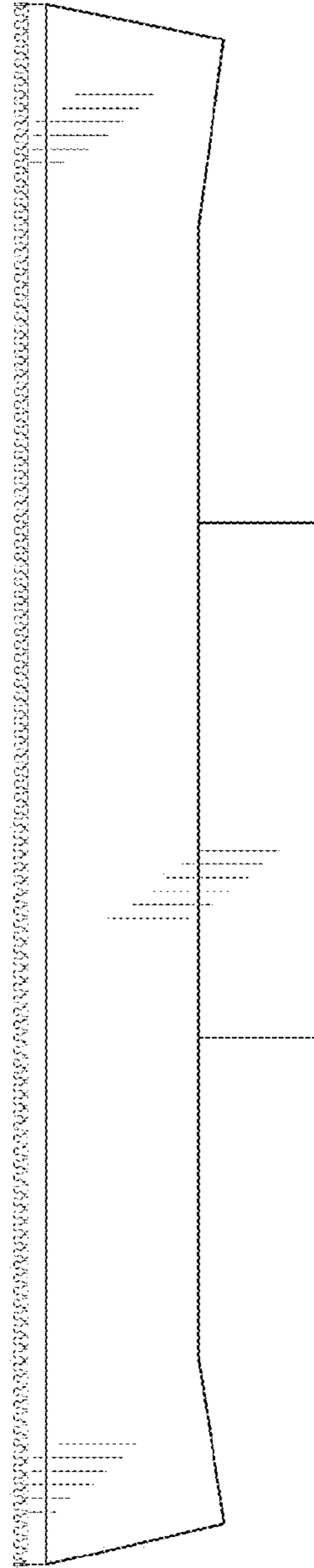


FIG. 6

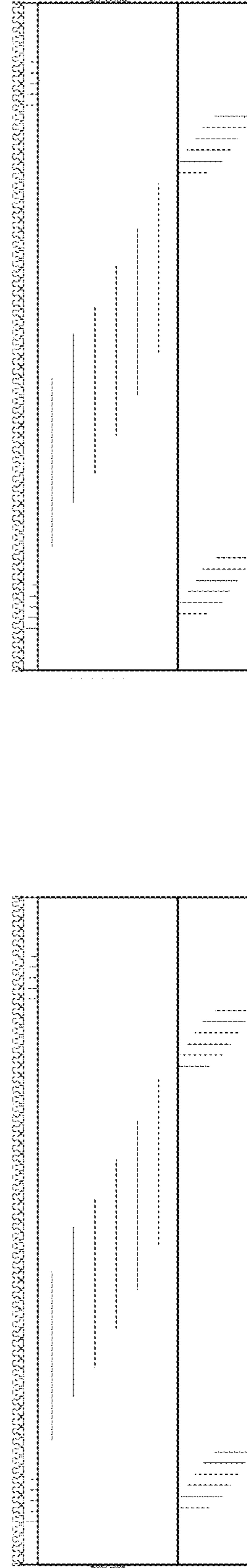


FIG. 7

FIG. 8