



US00D948240S

(12) **United States Design Patent**
Varga

(10) **Patent No.:** **US D948,240 S**

(45) **Date of Patent:** **** Apr. 12, 2022**

- (54) **BRUSH, PLUNGER, AND HOLDER SET**
- (71) Applicant: **InterDesign, Inc.**, Solon, OH (US)
- (72) Inventor: **Amanda Varga**, Strongsville, OH (US)
- (73) Assignee: **InterDesign, Inc.**, Solon, OH (US)
- (**) Term: **15 Years**
- (21) Appl. No.: **29/705,659**
- (22) Filed: **Sep. 13, 2019**

Related U.S. Application Data

- (63) Continuation of application No. 29/648,998, filed on May 25, 2018, now Pat. No. Des. 862,922.
- (51) **LOC (13) Cl.** **23-03**
- (52) **U.S. Cl.**
USPC **D6/524; D6/551**
- (58) **Field of Classification Search**
USPC D6/551, 524, 525; D7/541, 555, 615; D8/80, 83, 94, 107, 300, 16, 19, 62, 90, D8/101; D32/40, 41, 42, 46, 49, 50, 51, D32/52, 57; D4/100, 102, 114, 117, 118, D4/119, 130–136, 138, 199; 206/207, 206/349, 361; 312/206, 207; 4/255.05, 4/255.11; 15/21.1, 143.1, 145, 159.1, 15/160, 186–188; 132/120, 142, 313; D24/119, 146, 180, 200
CPC A47K 17/00; A47K 11/10; A47K 3/001; B65D 47/40; A46B 2200/304; A46B 17/02; A46B 17/06; A46B 5/00; A46B 5/004; A46B 5/0016; A46B 11/00; A46B 11/001; A46B 11/0006; A46B 2200/3006; A46B 2200/3093; A47L 13/10; A47L 13/16; A47L 13/20; A47L 13/24; A47L 13/254

See application file for complete search history.

(56) **References Cited**

U.S. PATENT DOCUMENTS

D362,090	S	*	9/1995	Baldwin	D30/130
D373,449	S	*	9/1996	Chen	D30/130
D414,064	S	*	9/1999	Shafik	D6/525
D495,182	S	*	8/2004	Vitantonio	D6/551
D525,467	S	*	7/2006	Michelson	D6/524
D532,230	S	*	11/2006	Snell	D6/525
D556,407	S	*	11/2007	Snell	D19/75
D589,734	S	*	4/2009	Weis	D6/551
D688,488	S	*	8/2013	Wang	D6/524
D717,066	S	*	11/2014	Deacon	D6/524
9,730,564	B2	*	8/2017	Butts	A47G 29/08
D809,838	S	*	2/2018	Hendifar	D6/683
2011/0253180	A1	*	10/2011	Davidson	A46B 17/06 134/135

* cited by examiner

Primary Examiner — Nathan M Johnston

(74) *Attorney, Agent, or Firm* — Calfee, Halter & Griswold LLP

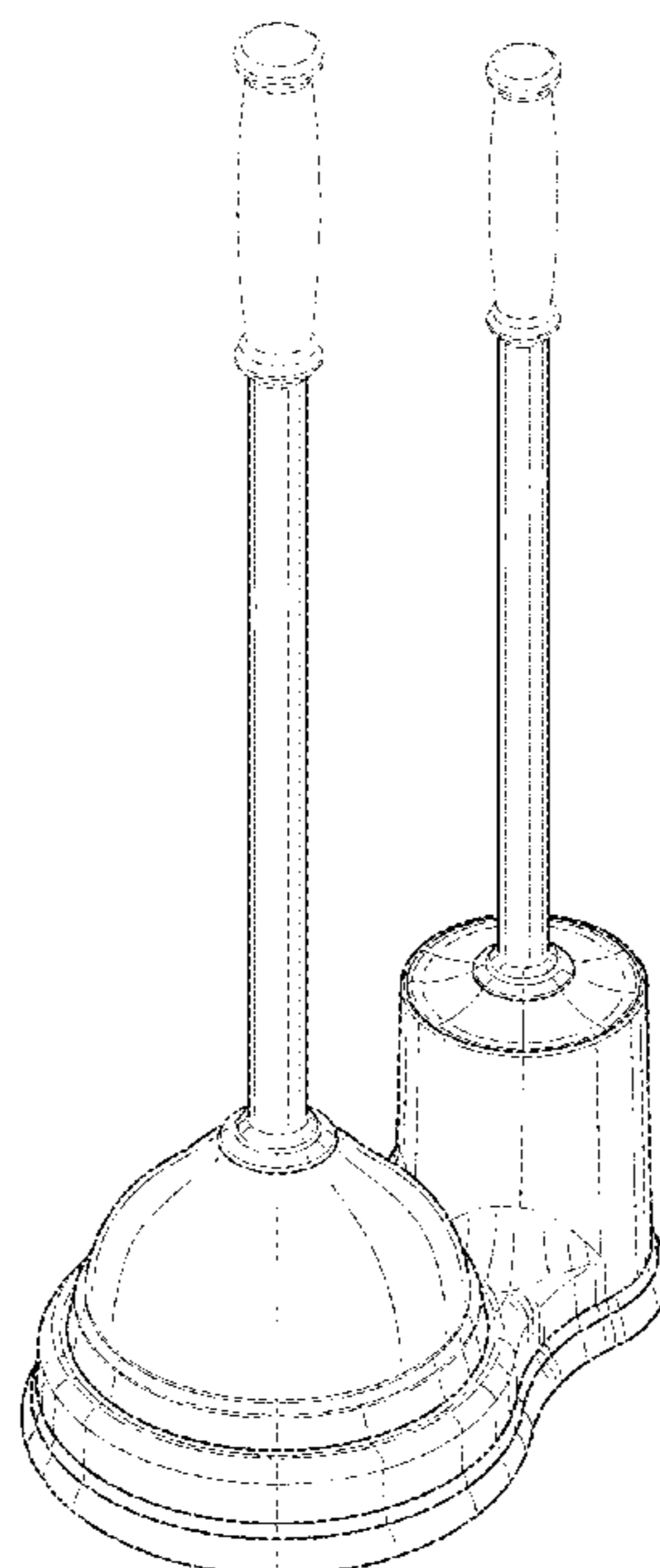
(57) **CLAIM**

I claim the ornamental design for a brush, plunger, and holder set, as shown and described.

DESCRIPTION

FIG. 1 is a front/right/top perspective view of a brush, plunger, and holder set (a front/left/top perspective view would be a mirror image thereof);
 FIG. 2 is a top plan view thereof;
 FIG. 3 is a left side elevational view thereof;
 FIG. 4 is a right side elevational view thereof;
 FIG. 5 is a front elevational view thereof;
 FIG. 6 is a rear elevational view thereof; and,
 FIG. 7 is a bottom plan view thereof.
 The broken lines depict portions that form no part of the claimed design.

1 Claim, 5 Drawing Sheets



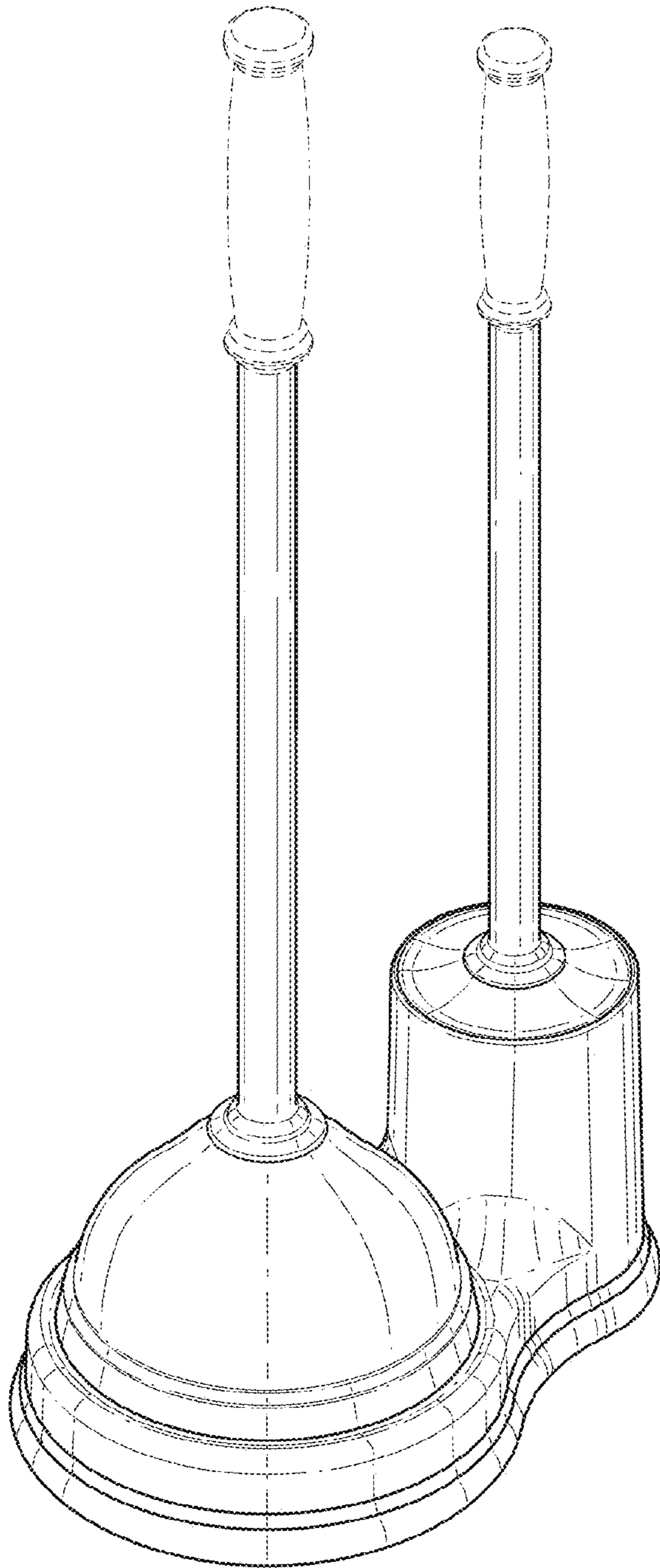


FIG. 1

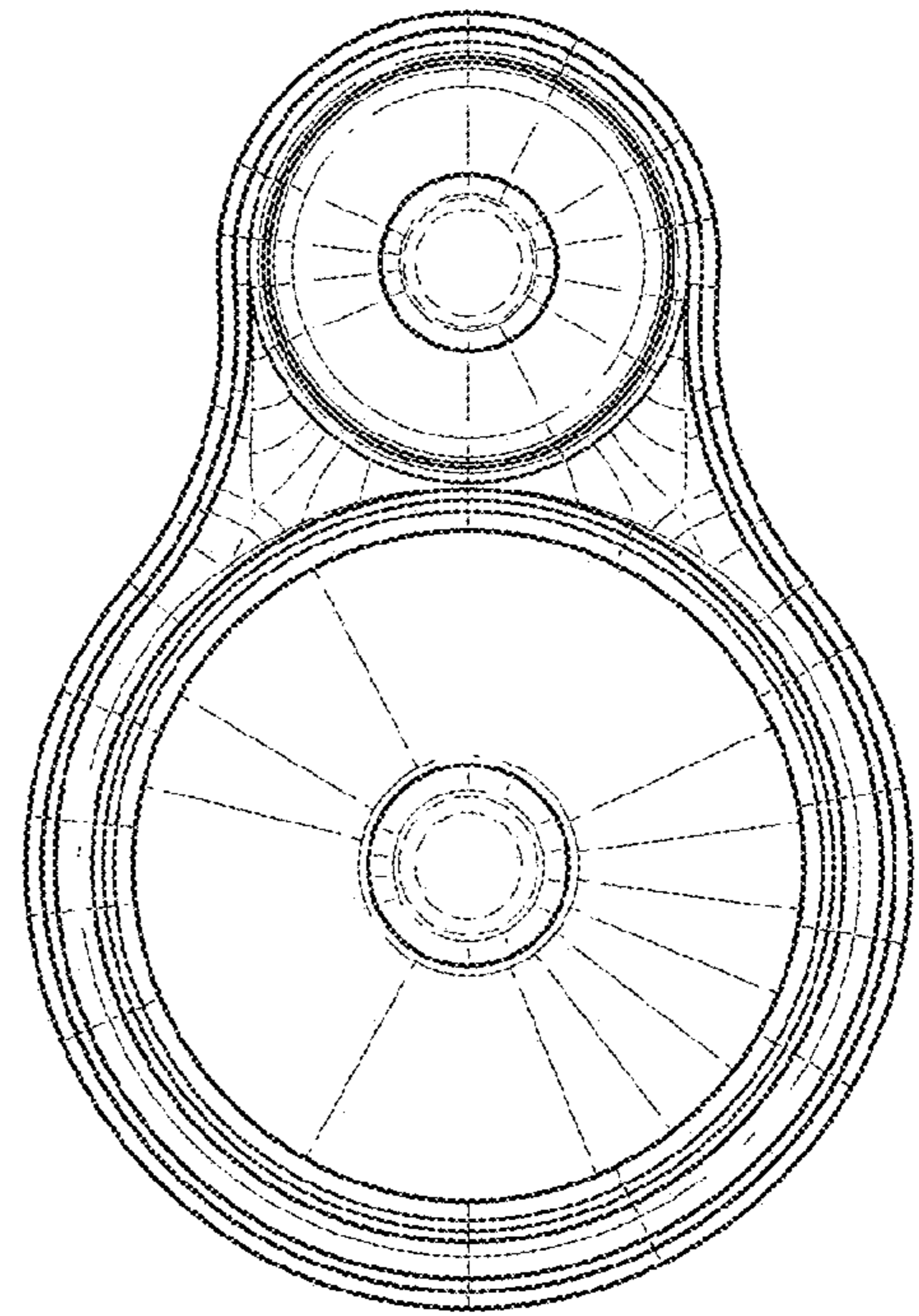


FIG. 2

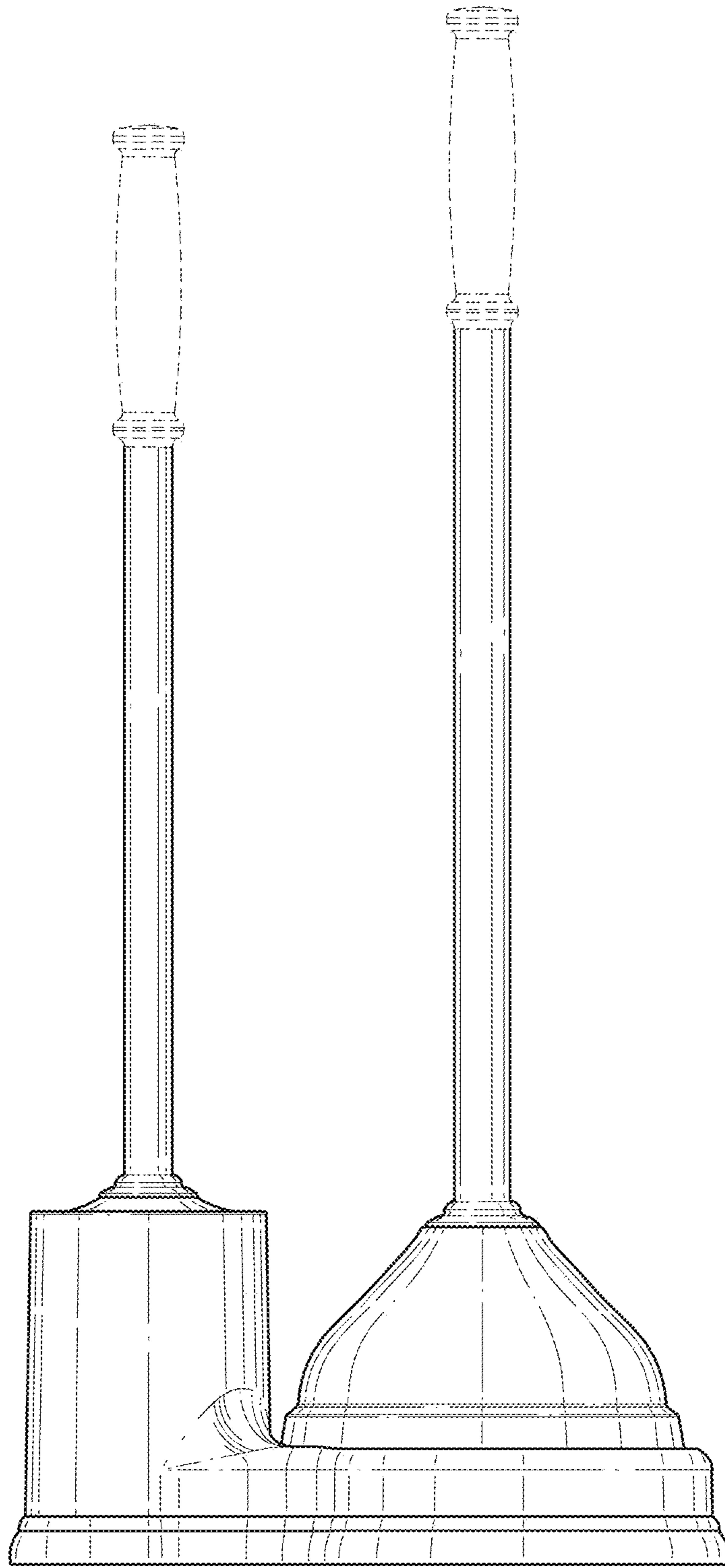


FIG. 3

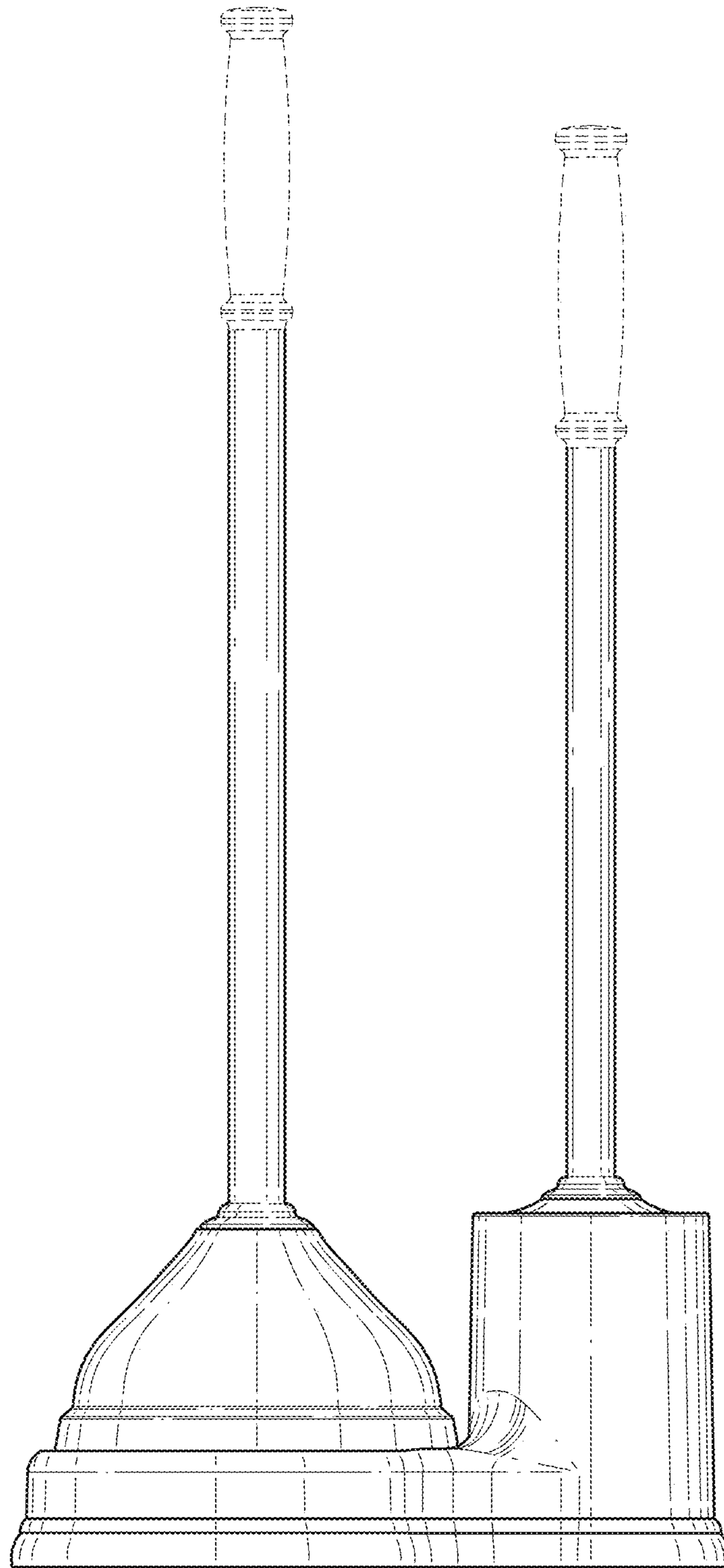


FIG. 4

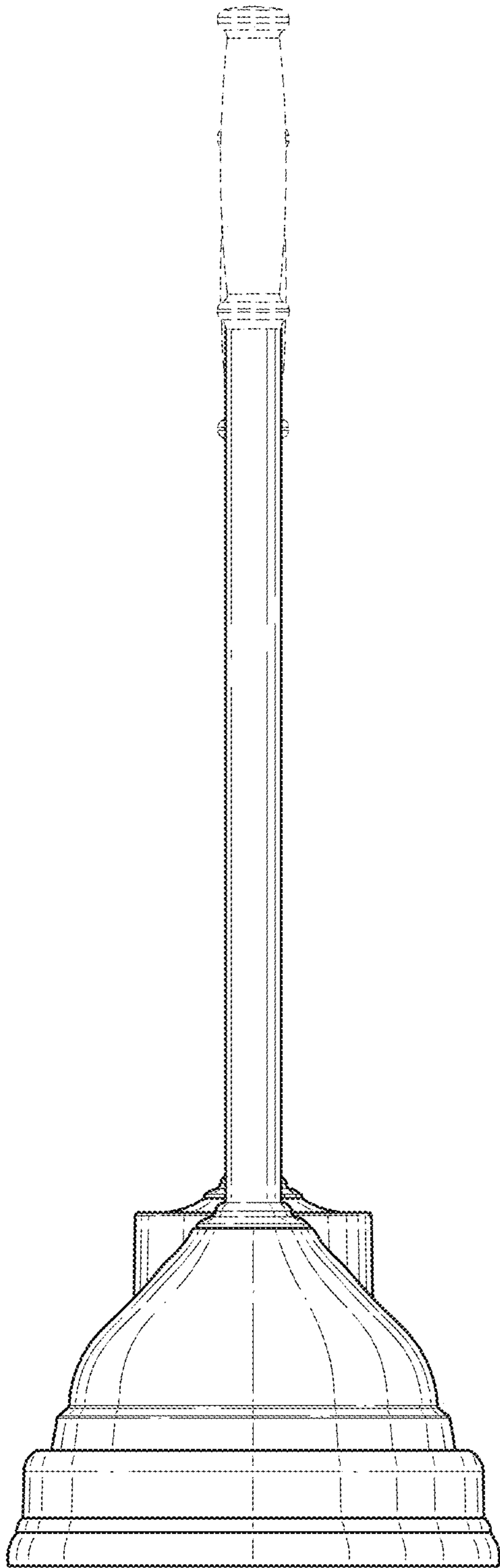


FIG. 5

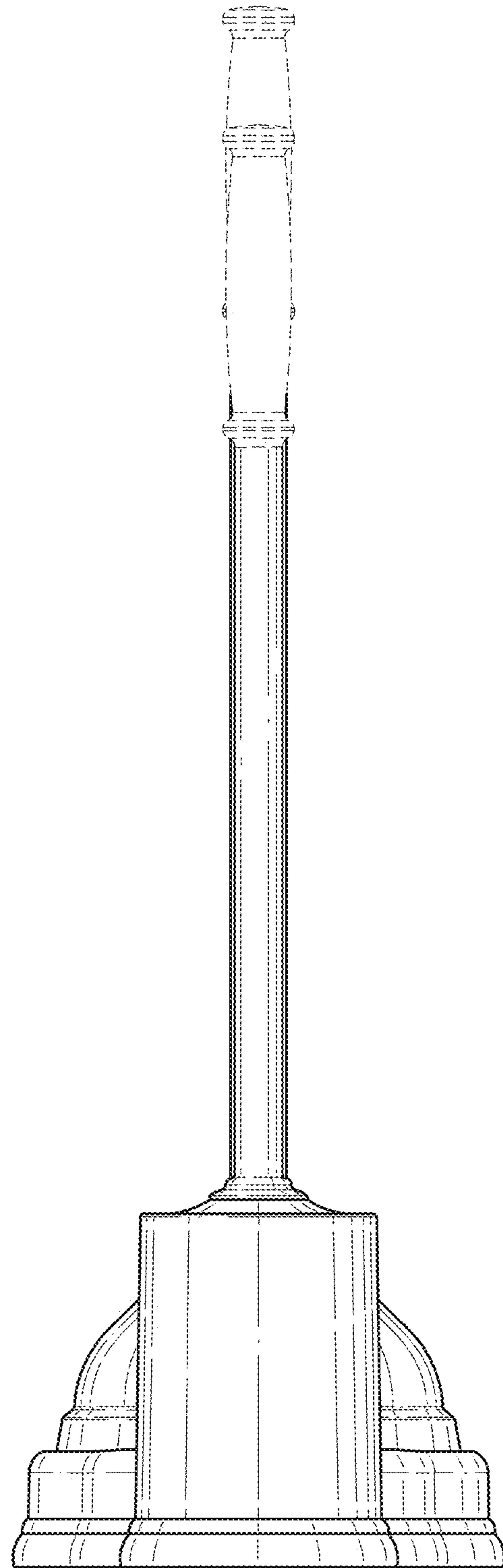


FIG. 6

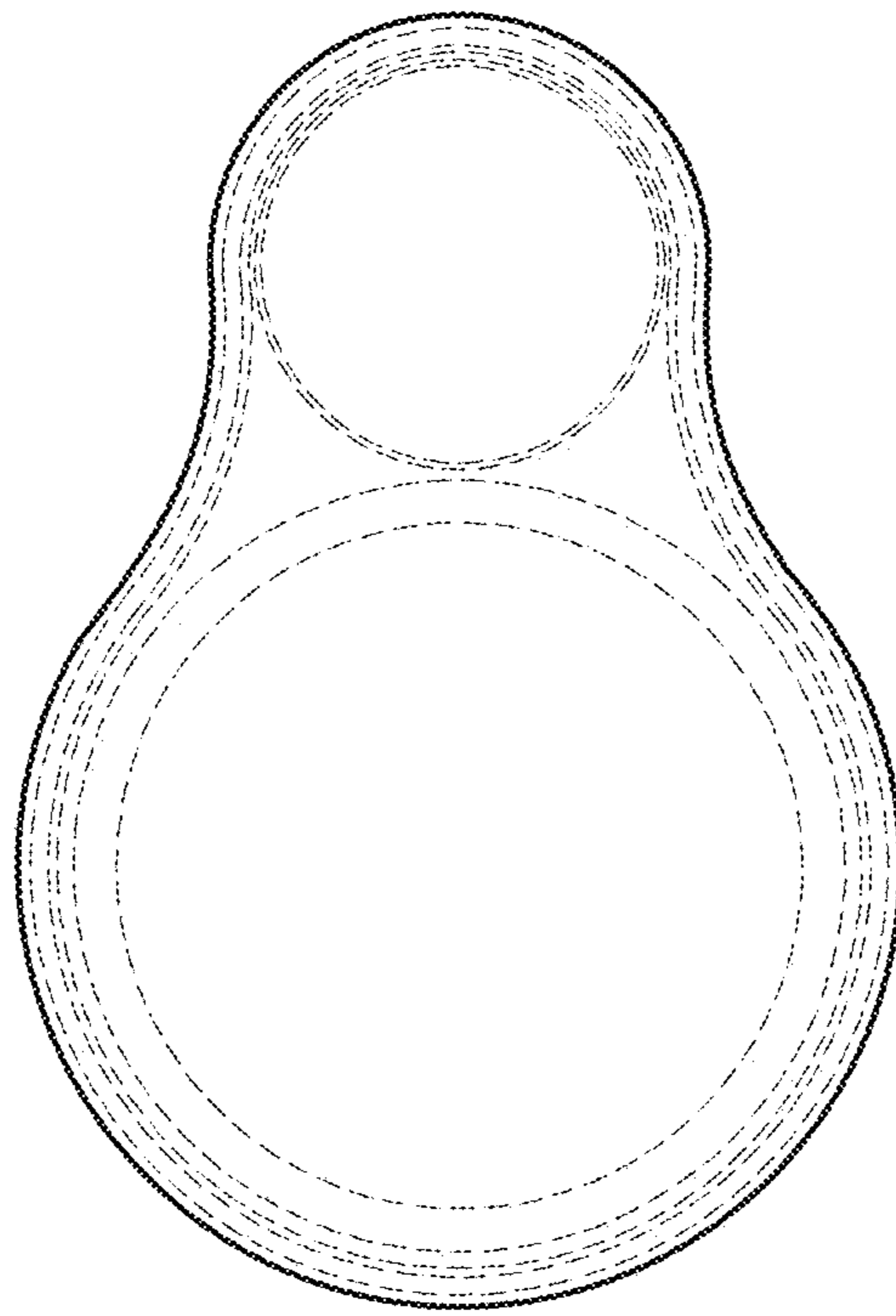


FIG. 7