



US00D948239S

(12) **United States Design Patent** (10) **Patent No.:** **US D948,239 S**
Hagleitner (45) **Date of Patent:** **** Apr. 12, 2022**

(54) **DISPENSER**

(71) Applicant: **HAGLEITNER HYGIENE INTERNATIONAL GMBH**,
Maishofen (AT)

(72) Inventor: **Hans Georg Hagleitner**, Zell am See
(AT)

(73) Assignee: **Hagleitner Hygiene International GmbH**, Maishofen (AT)

(**) Term: **15 Years**

(21) Appl. No.: **29/708,878**

(22) Filed: **Oct. 10, 2019**

(30) **Foreign Application Priority Data**

Apr. 10, 2019 (EM) 006374732

(51) **LOC (13) Cl.** **23-02**

(52) **U.S. Cl.**
USPC **D6/523**

(58) **Field of Classification Search**
USPC D6/523, 546-550, 518-522; 211/13.1,
211/16, 60.1, 100, 86.01, 87.01, 88.1,
211/88.4, 105.1, 105.2, 123, 182, 181.1;
242/570, 290, 595-598; D8/300, 303,
D8/315, 321; 108/28-29; 16/110.1, 412,
16/415; 48/175, 176.1, 251, 302, 309.1
CPC A45F 2005/025; A45F 2005/027; A47K
2010/3253; A47K 10/22; A47K 10/3836;
A47K 10/16; A47K 10/3818; A47K
2010/3233; B60R 7/084

See application file for complete search history.

(56) **References Cited**

U.S. PATENT DOCUMENTS

D312,184 S * 11/1990 De Luca D6/542
D619,837 S * 7/2010 Kim D6/518

D657,984 S * 4/2012 Hansen D6/523
D668,484 S * 10/2012 Velazquez D6/518
D674,223 S * 1/2013 Green D6/518
D699,048 S * 2/2014 Paal D6/545
D707,979 S * 7/2014 Hagleitner D6/545
D712,177 S * 9/2014 Hagleitner D6/545
D715,576 S * 10/2014 Hagleitner D6/545
D815,456 S * 4/2018 Hagleitner D6/542
10,349,791 B1 * 7/2019 Neasham A47K 10/424
D871,102 S * 12/2019 Hsu D6/545
2009/0101671 A1 * 4/2009 Cittadino A47K 5/1202
222/23

OTHER PUBLICATIONS

Hagleitner website, Mechanical toilet paper dispenser, XBU tissuepaper, Aug. 14, 2020, <https://www.hagleitner.com/en/products/washroomhygiene/xibu-washroom-dispensers/toilet-paper-dispenser/> (Year: 2020).*

* cited by examiner

Primary Examiner — Nathan M Johnston
(74) *Attorney, Agent, or Firm* — Laurence A. Greenberg;
Werner H. Stemer; Ralph E. Locher

(57) **CLAIM**

The ornamental design for a dispenser, as shown and described.

DESCRIPTION

FIG. 1 is a front perspective view of a dispenser;
FIG. 2 is a front elevation view thereof;
FIG. 3 is a right side elevation view thereof;
FIG. 4 is a left side elevation view thereof;
FIG. 5 is a top plan view thereof;
FIG. 6 is a bottom plan view thereof; and,
FIG. 7 is a rear elevation view thereof.
The broken lines and dot-dash-dot lines are used to illustrate portions of the dispenser that form no part of the claimed design.

1 Claim, 7 Drawing Sheets

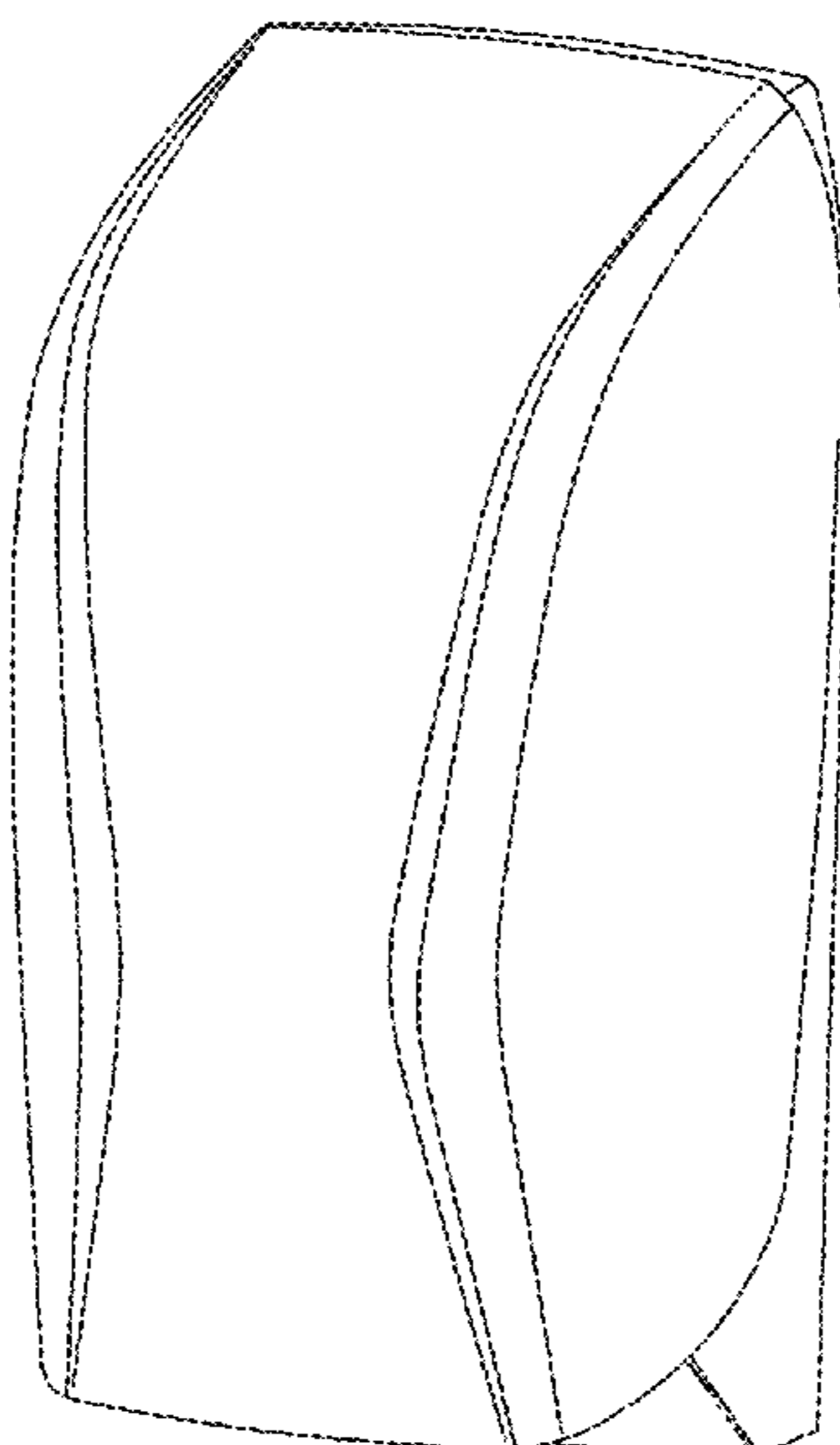




Fig. 1

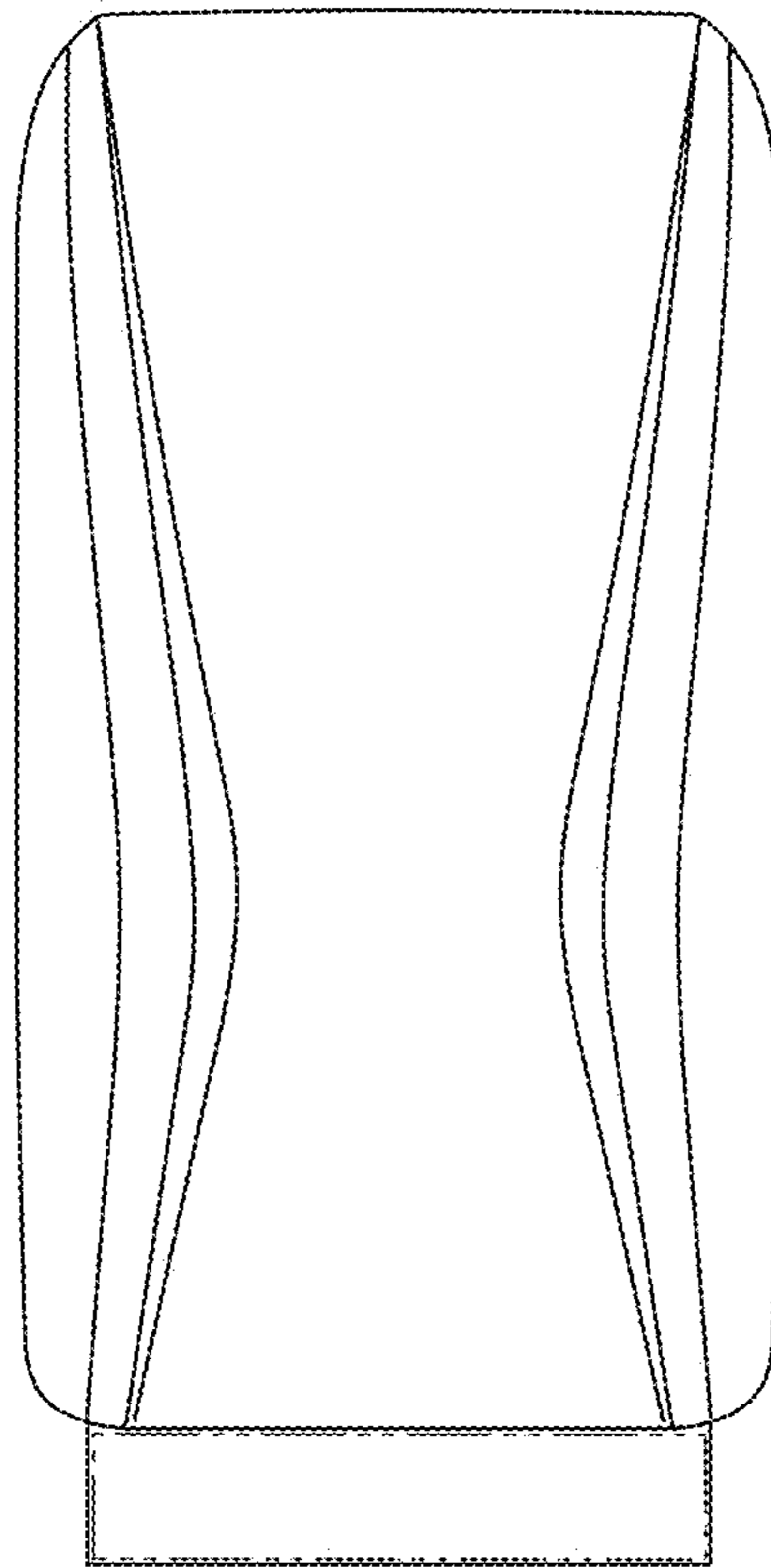


Fig. 2

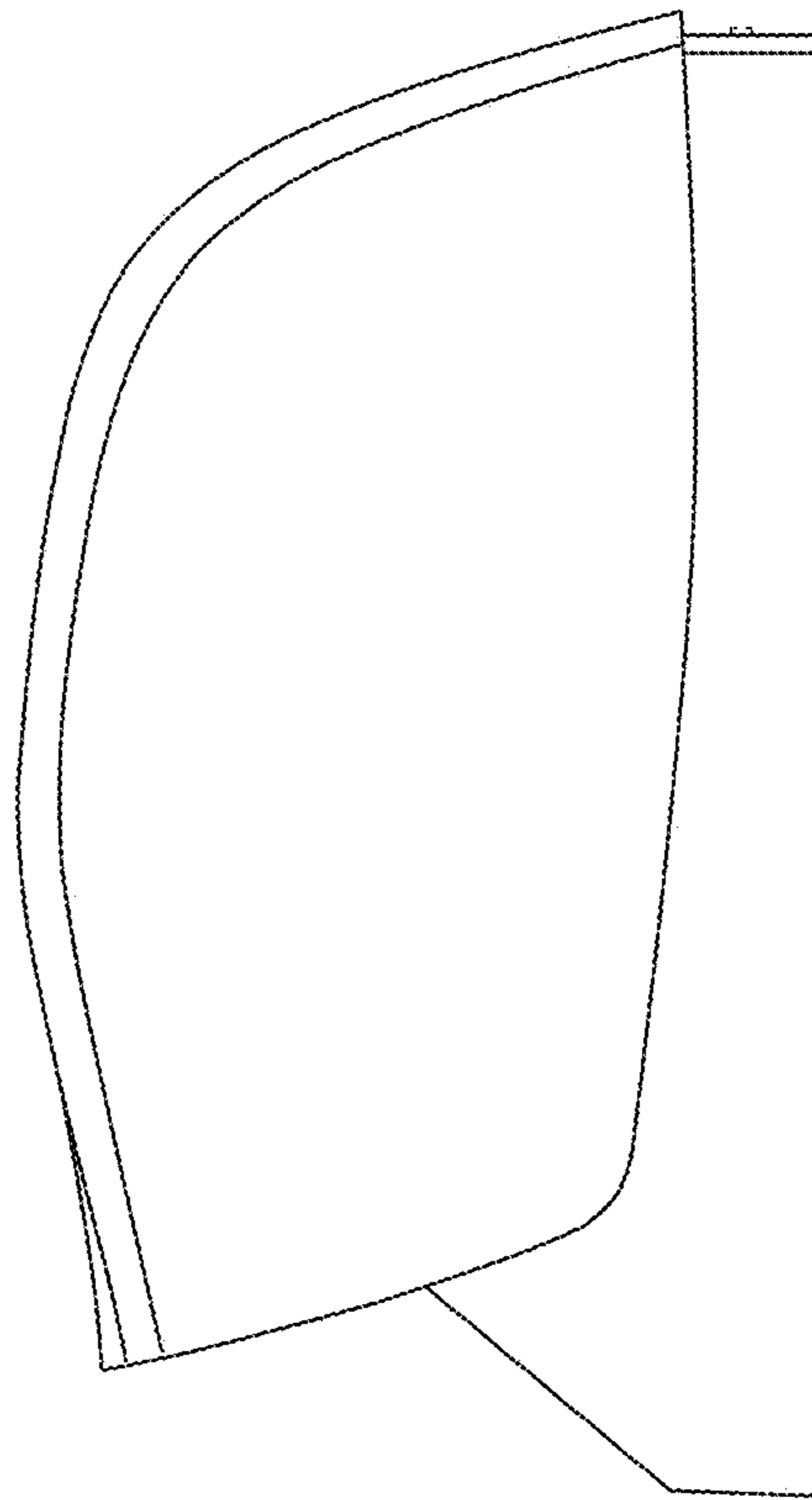


Fig. 3

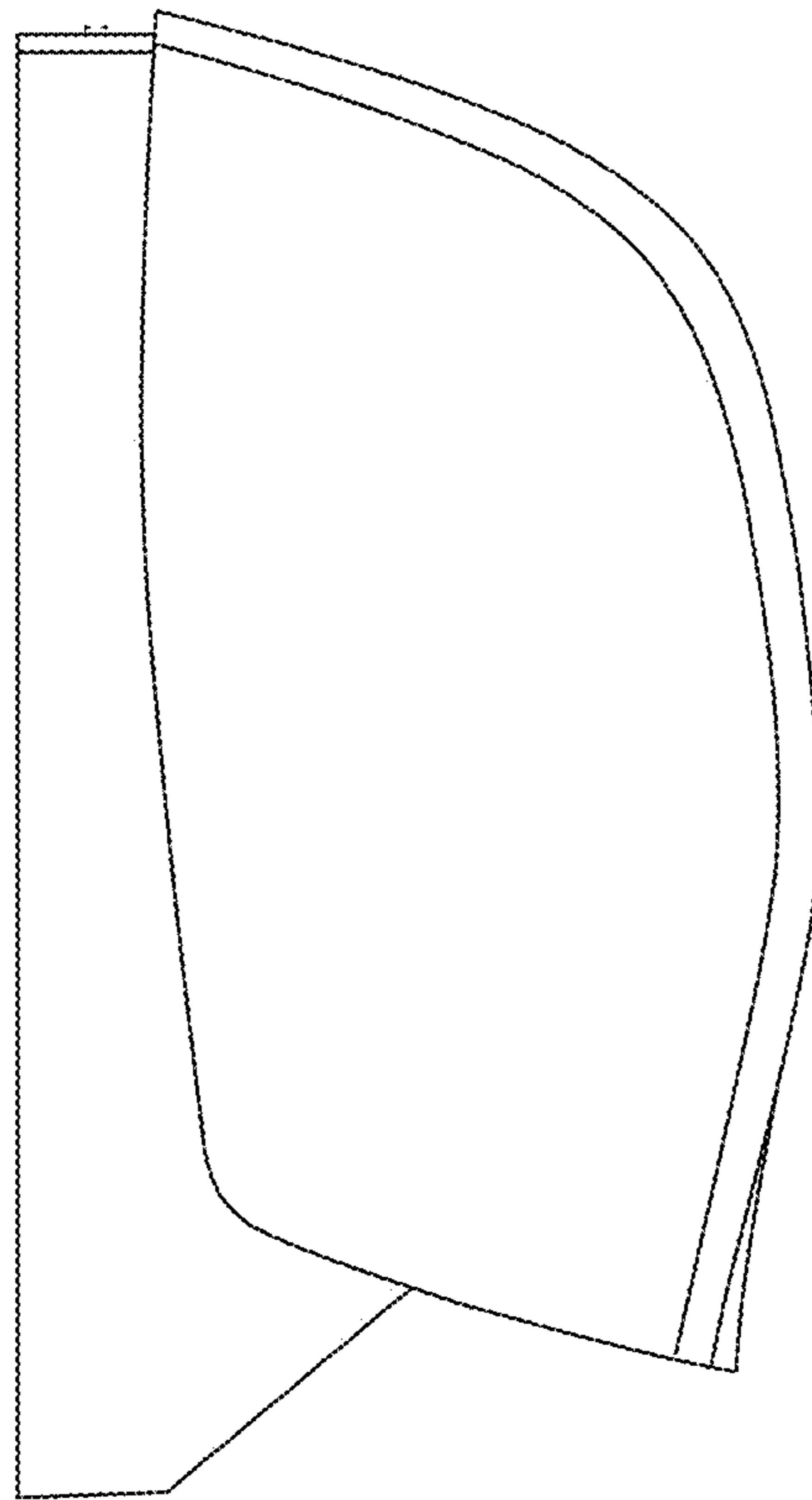


Fig. 4

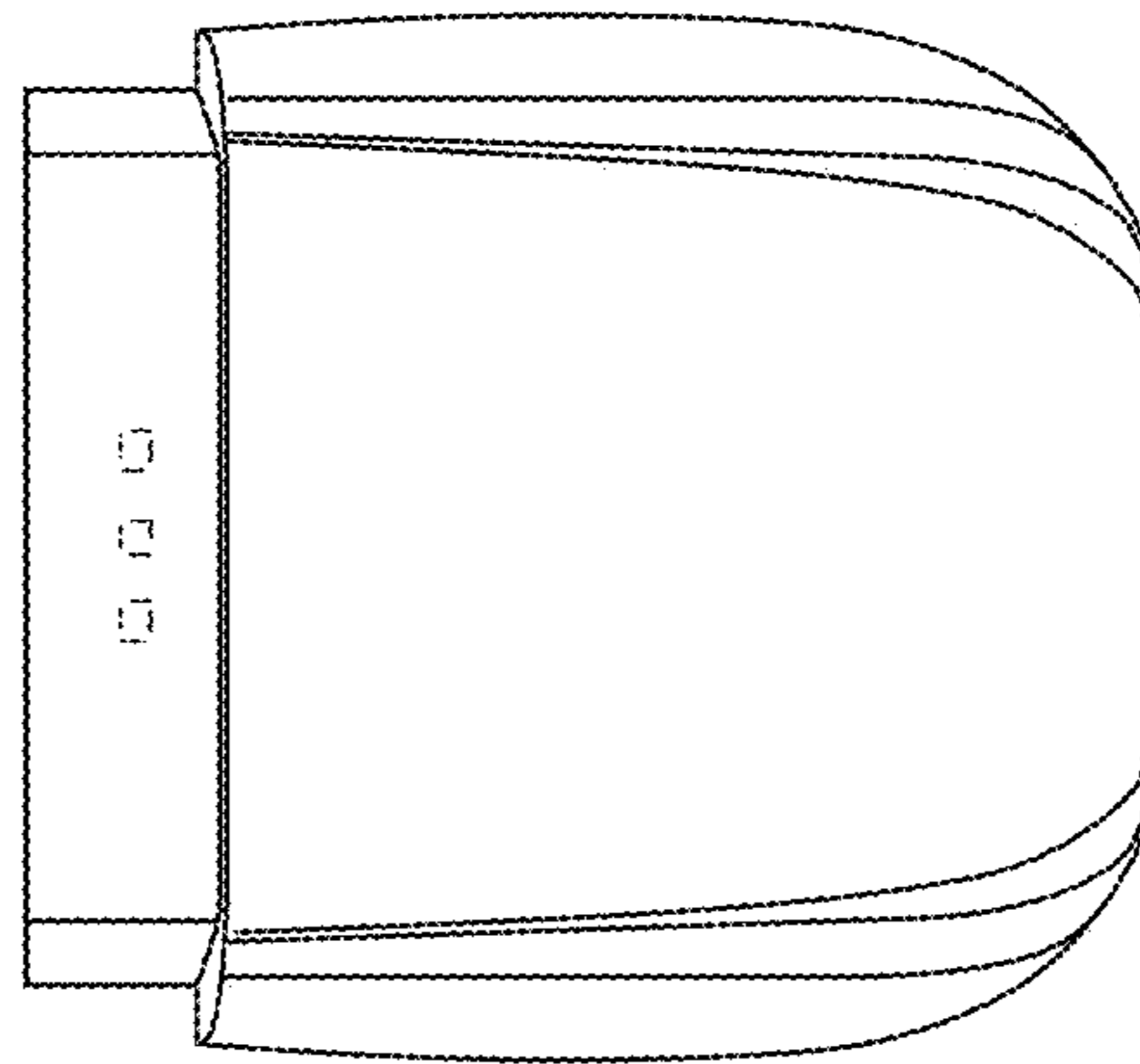


Fig. 5

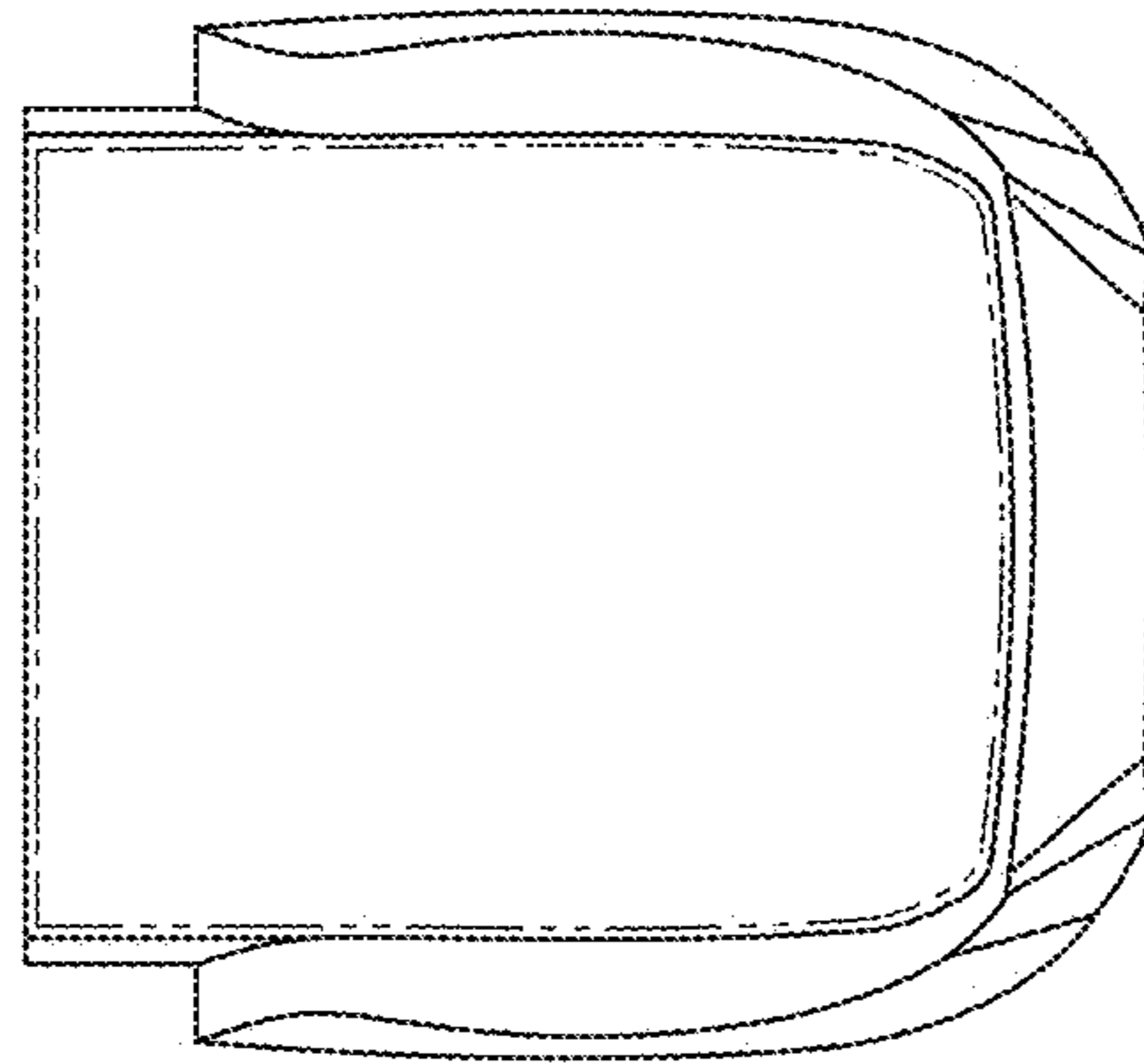


Fig. 6

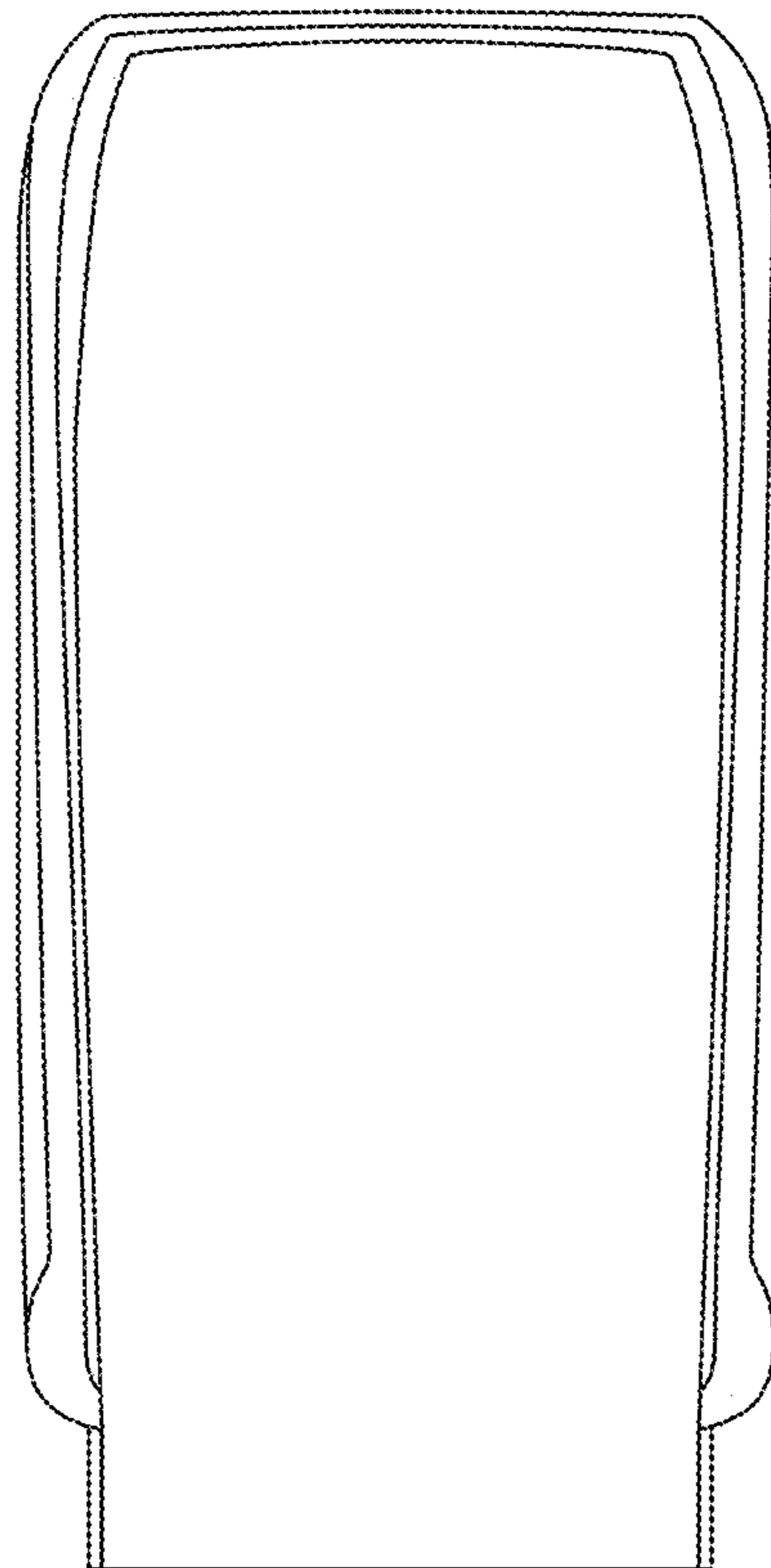


Fig. 7