

US00D948237S

(12) **United States Design Patent**
Duffy

(10) **Patent No.:** **US D948,237 S**
(45) **Date of Patent:** **** Apr. 12, 2022**

- (54) **GARMENT ORGANIZER**
- (71) Applicant: **James Duffy**, Glen Mills, PA (US)
- (72) Inventor: **James Duffy**, Glen Mills, PA (US)
- (**) Term: **15 Years**
- (21) Appl. No.: **29/754,233**
- (22) Filed: **Oct. 8, 2020**
- (51) **LOC (13) Cl.** **06-06**
- (52) **U.S. Cl.**
USPC **D6/514; D6/315**
- (58) **Field of Classification Search**
USPC D6/512-514, 546, 566, 552, 553, 567,
D6/569, 315, 320, 327; D8/349, 354,
D8/367, 372; D20/10, 19, 42;
211/87.01, 88.04, 89.01, 90.01, 85;
248/300, 309.1
CPC A47G 25/08; A47G 29/00; A47B 61/003;
A47B 96/16; A47B 43/003; A47F 7/146
See application file for complete search history.

- 4,966,287 A * 10/1990 Snyder A47G 25/32
211/85.2
 - 5,101,988 A * 4/1992 Meyer A47F 5/08
211/184
 - 5,460,279 A * 10/1995 Emery A47B 55/02
211/188
 - 5,570,808 A * 11/1996 Tassoni B65D 83/0805
221/311
 - 5,740,944 A * 4/1998 Crawford A47F 1/04
312/42
 - 5,894,940 A * 4/1999 Gusdorf A47B 57/425
211/35
 - D436,263 S * 1/2001 Alcala D6/657
 - 6,874,624 B2 4/2005 Redzisz
 - D560,383 S * 1/2008 Woods D6/371
 - D628,834 S * 12/2010 Tierney D6/513
- (Continued)

Primary Examiner — Marie D. Fast Horse
Assistant Examiner — Jennifer Sierra Yosinski

(57) **CLAIM**

The ornamental design for a garment organizer, as shown and described.

DESCRIPTION

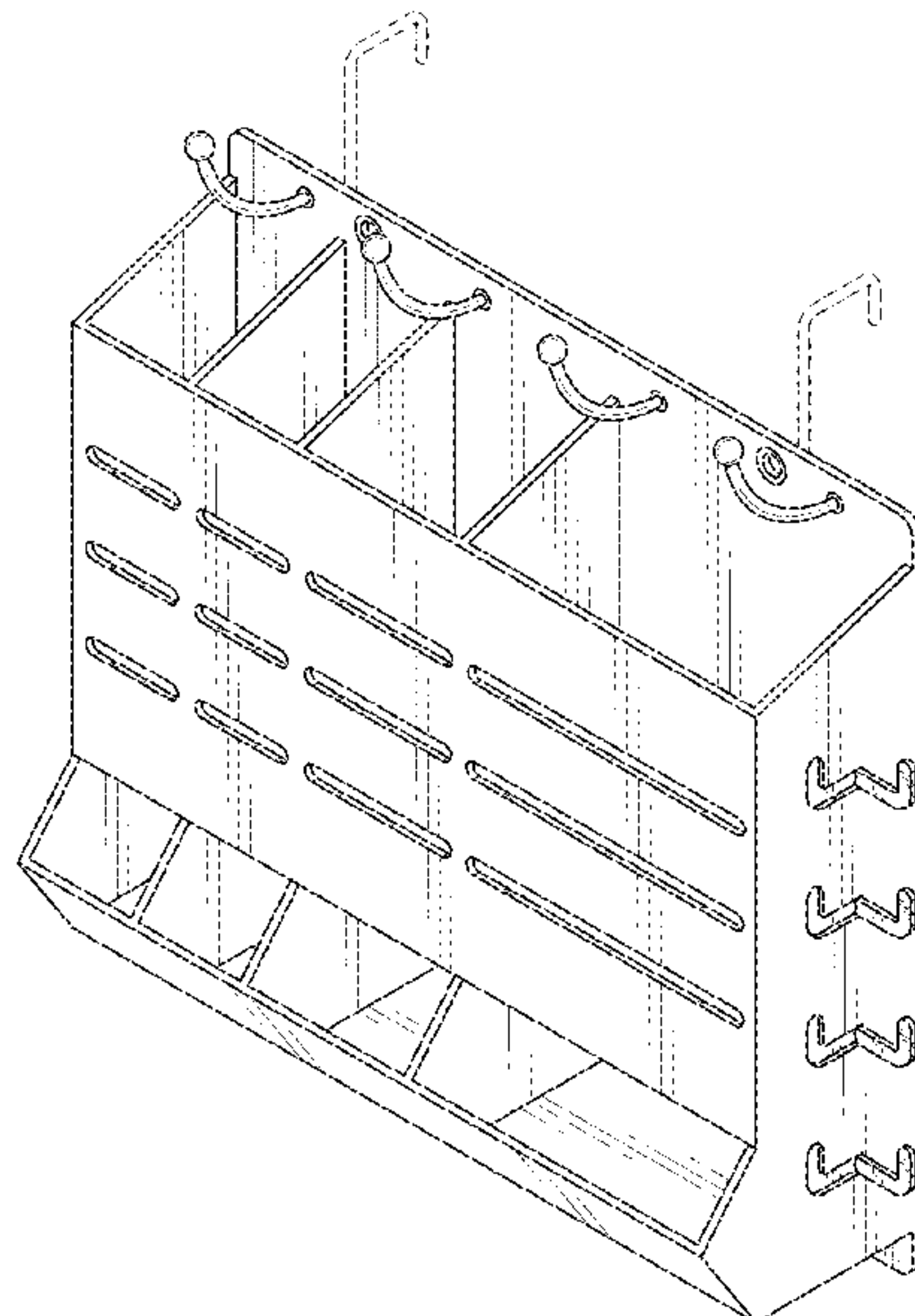
FIG. 1 is a front view of a garment organizer showing my new design;
 FIG. 2 is a rear view of the garment organizer;
 FIG. 3 is a right side view of the garment organizer;
 FIG. 4 is a left side view of the garment organizer;
 FIG. 5 is a top view of the garment organizer;
 FIG. 6 is a bottom view of the garment organizer;
 FIG. 7 is a top front side perspective view of the garment organizer; and,
 FIG. 8 is a front view of the garment organizer in use.
 The broken lines in FIG. 8 showing the two bottom side hooks and the bag depict environmental subject matter only and form no part of the claim, while all other broken lines depict portions of the garment organizer that form no part of the claimed design.

1 Claim, 7 Drawing Sheets

(56) **References Cited**

U.S. PATENT DOCUMENTS

- 1,380,747 A * 6/1921 Stanford A47G 29/10
211/1
- 1,714,469 A * 5/1929 Hoffman A47F 1/08
242/146
- 1,980,730 A 11/1934 Matchette
- 2,270,796 A 1/1942 Hauser
- 2,815,785 A 12/1957 Vail
- 2,962,168 A * 11/1960 Hoffman A47G 29/10
211/183
- 3,529,877 A * 9/1970 Cassidy A47K 10/22
312/34.22
- D256,074 S * 7/1980 Gruenewald D6/571
- D279,638 S * 7/1985 Kellogg D6/683.1
- 4,775,077 A * 10/1988 Capotorto A47F 1/08
221/131



(56)

References Cited

U.S. PATENT DOCUMENTS

D685,590 S * 7/2013 Hale D3/278
D842,005 S * 3/2019 Tsai D19/90
10,568,421 B2 2/2020 Felsenthal
11,147,404 B1 * 10/2021 Duffy A47B 43/003
2006/0049124 A1 * 3/2006 Wang A47B 43/003
211/113
2006/0076305 A1 * 4/2006 Wang A47F 5/08
211/113
2006/0207956 A1 9/2006 Sivers
2010/0270246 A1 * 10/2010 Rodriguez A47B 96/16
211/119.004
2014/0165434 A1 * 6/2014 Lynch G09F 5/00
40/446
2016/0262554 A1 * 9/2016 Vitollo A47F 7/28
2018/0317647 A1 * 11/2018 Felsenthal A47G 29/00
2018/0360232 A1 * 12/2018 Arnold A47F 1/00

* cited by examiner

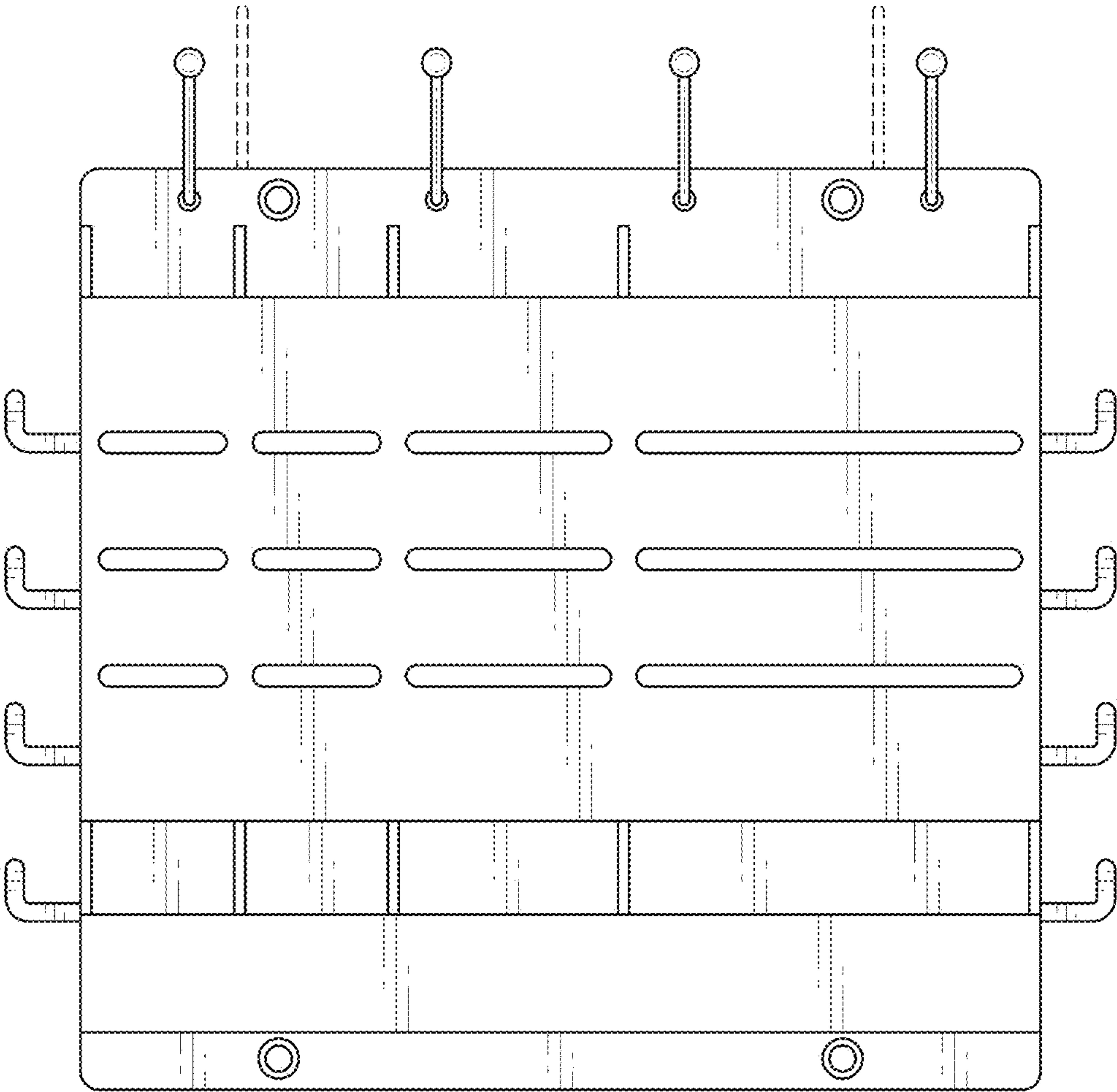


FIG. 1

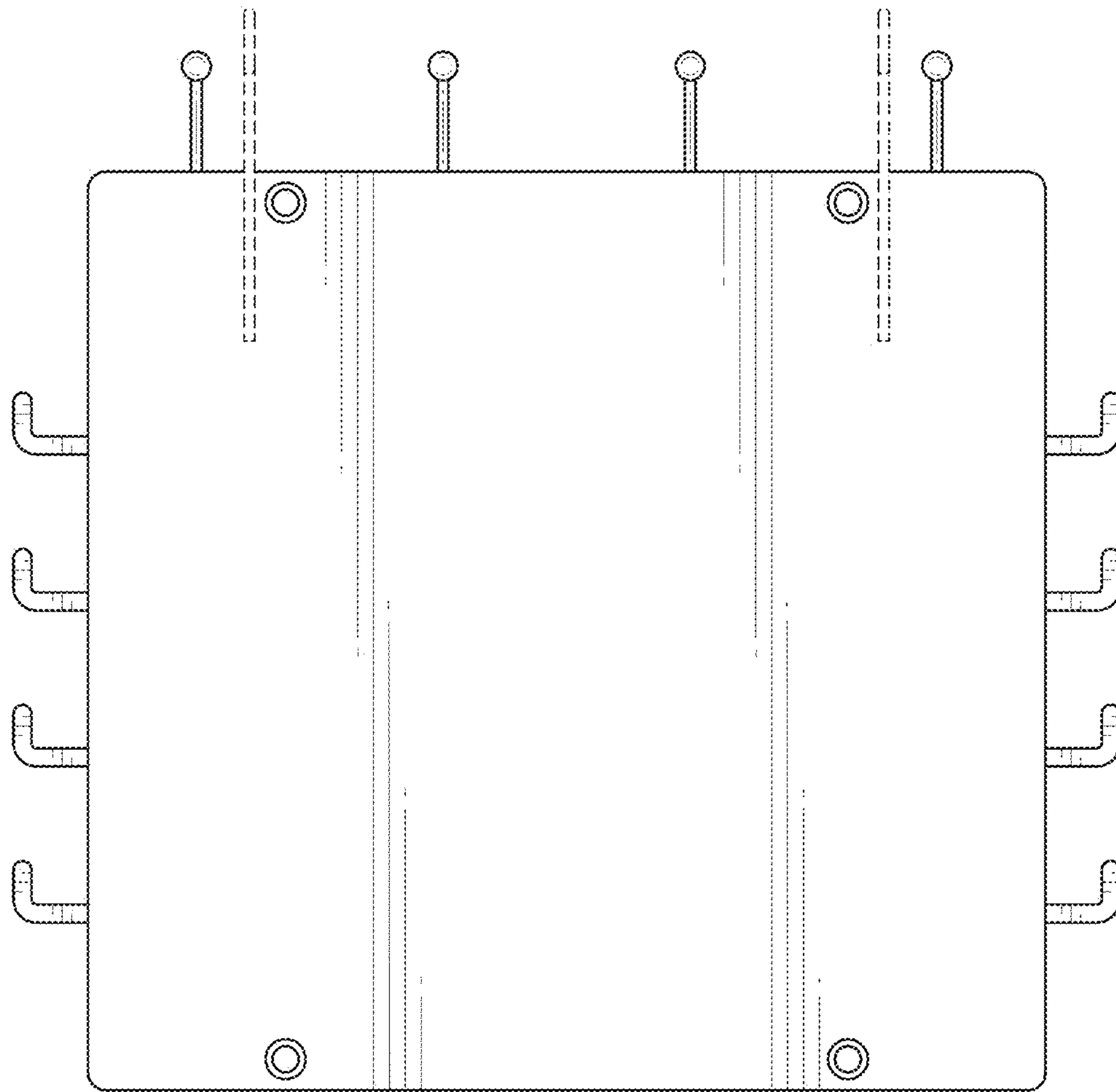


FIG. 2

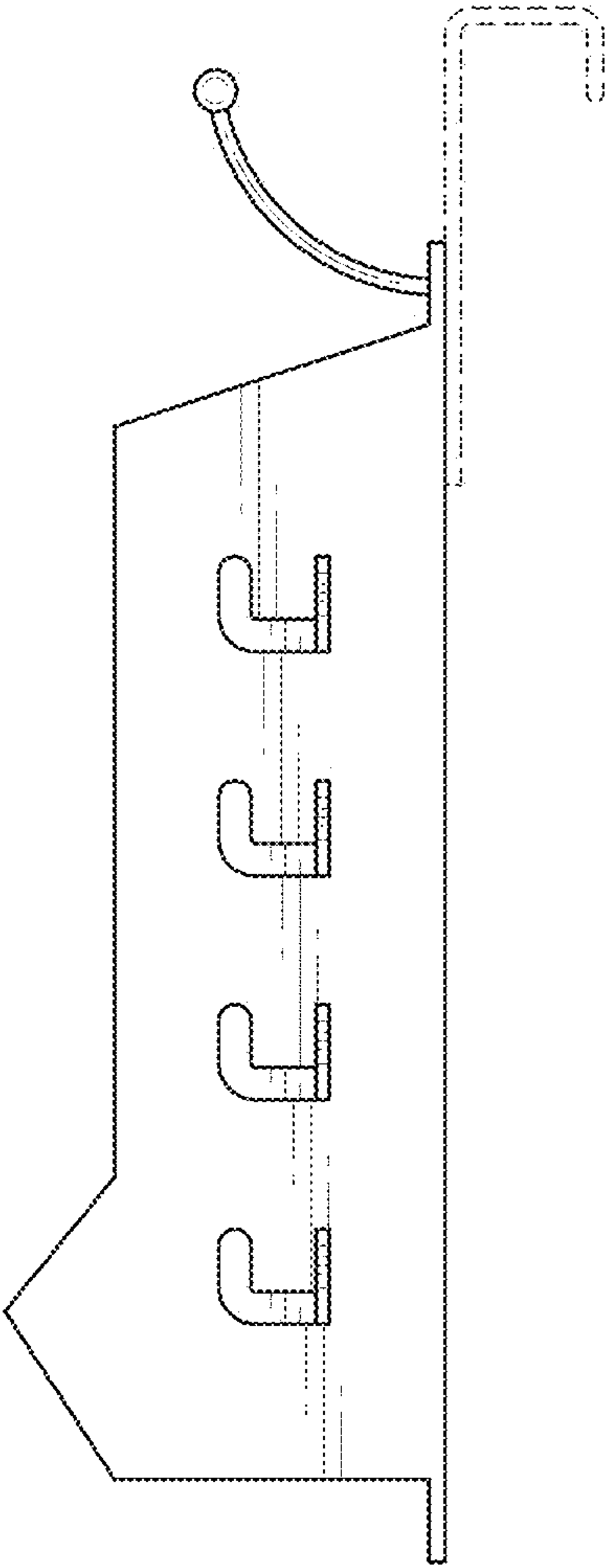


FIG. 3

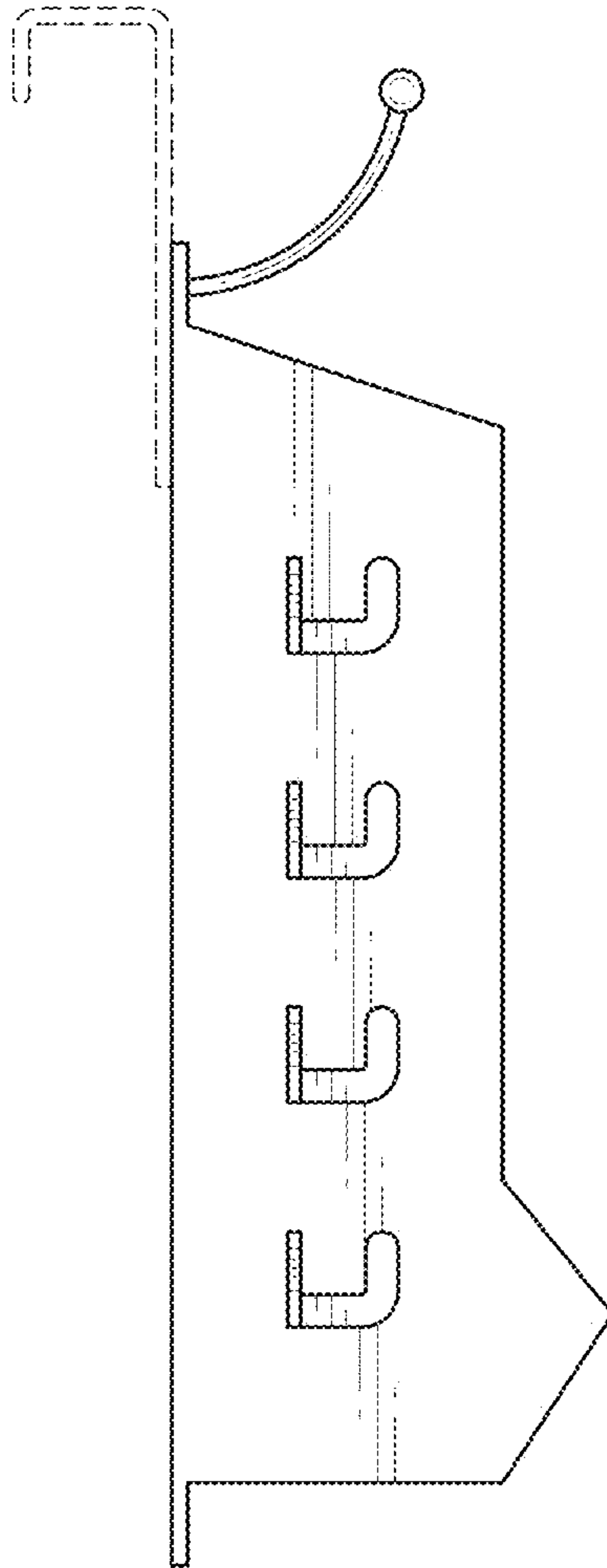


FIG. 4

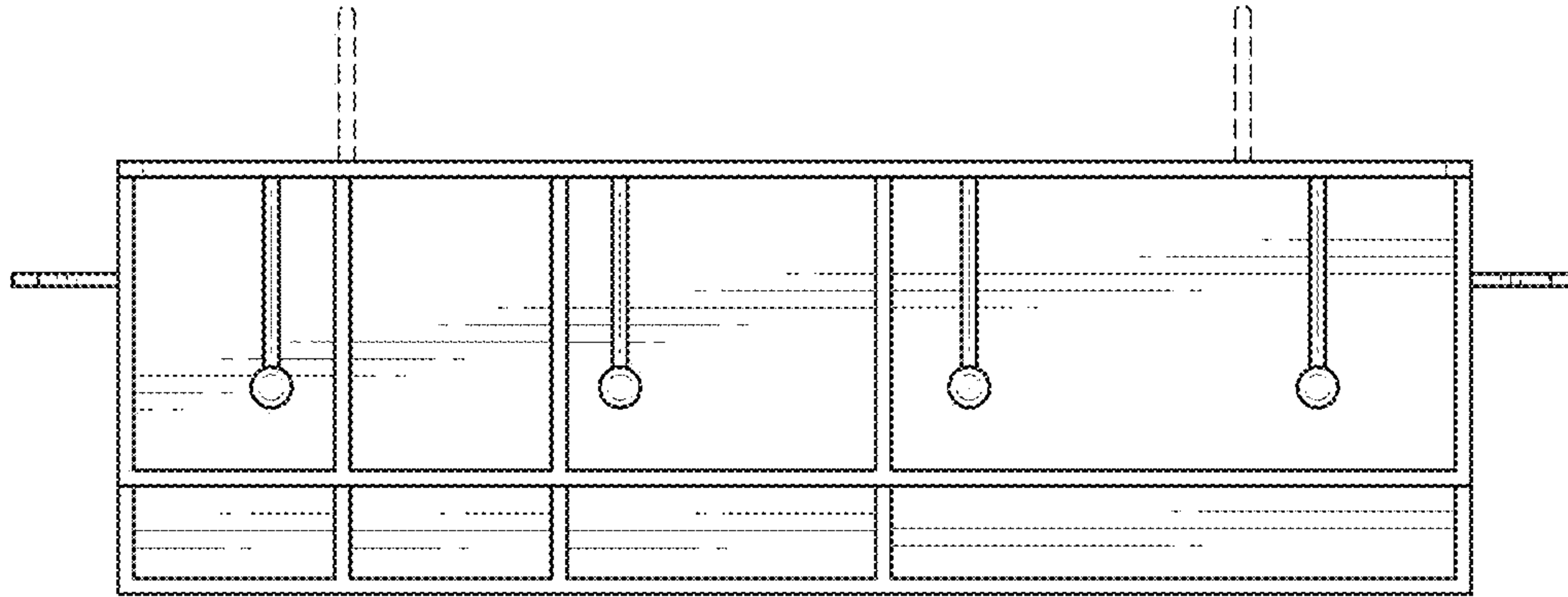


FIG. 5

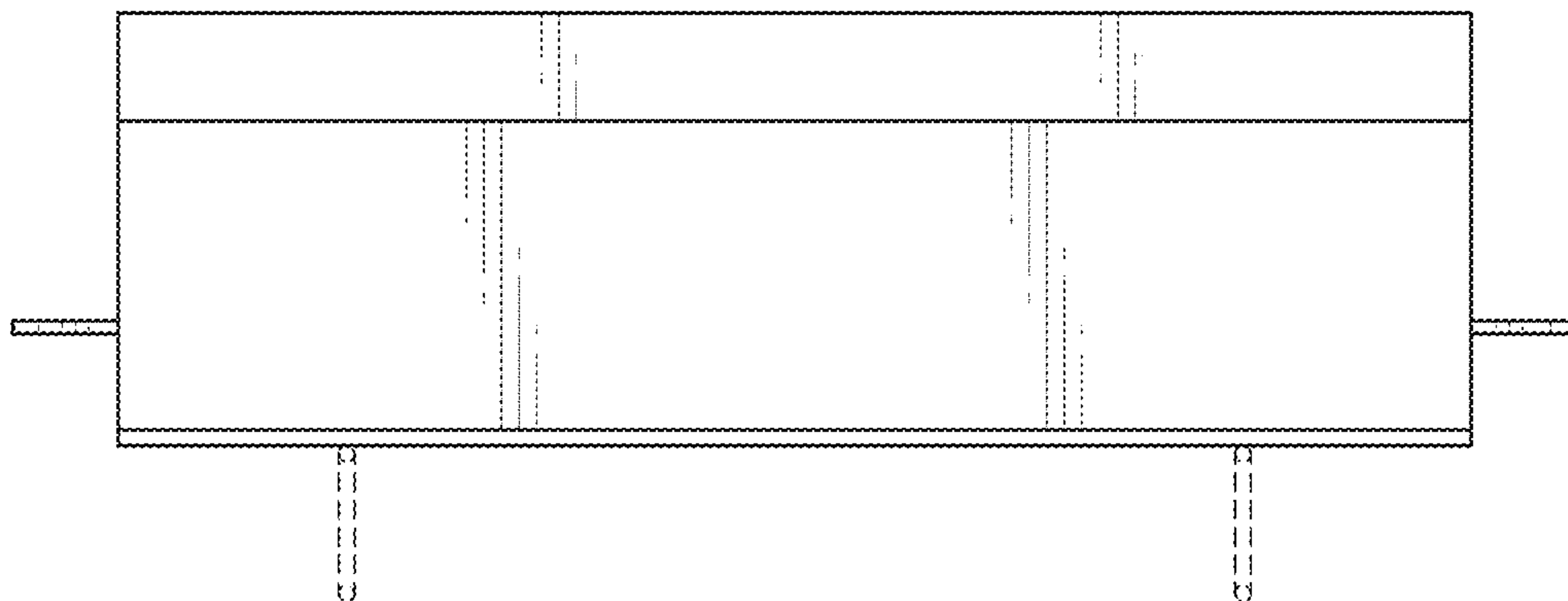


FIG. 6

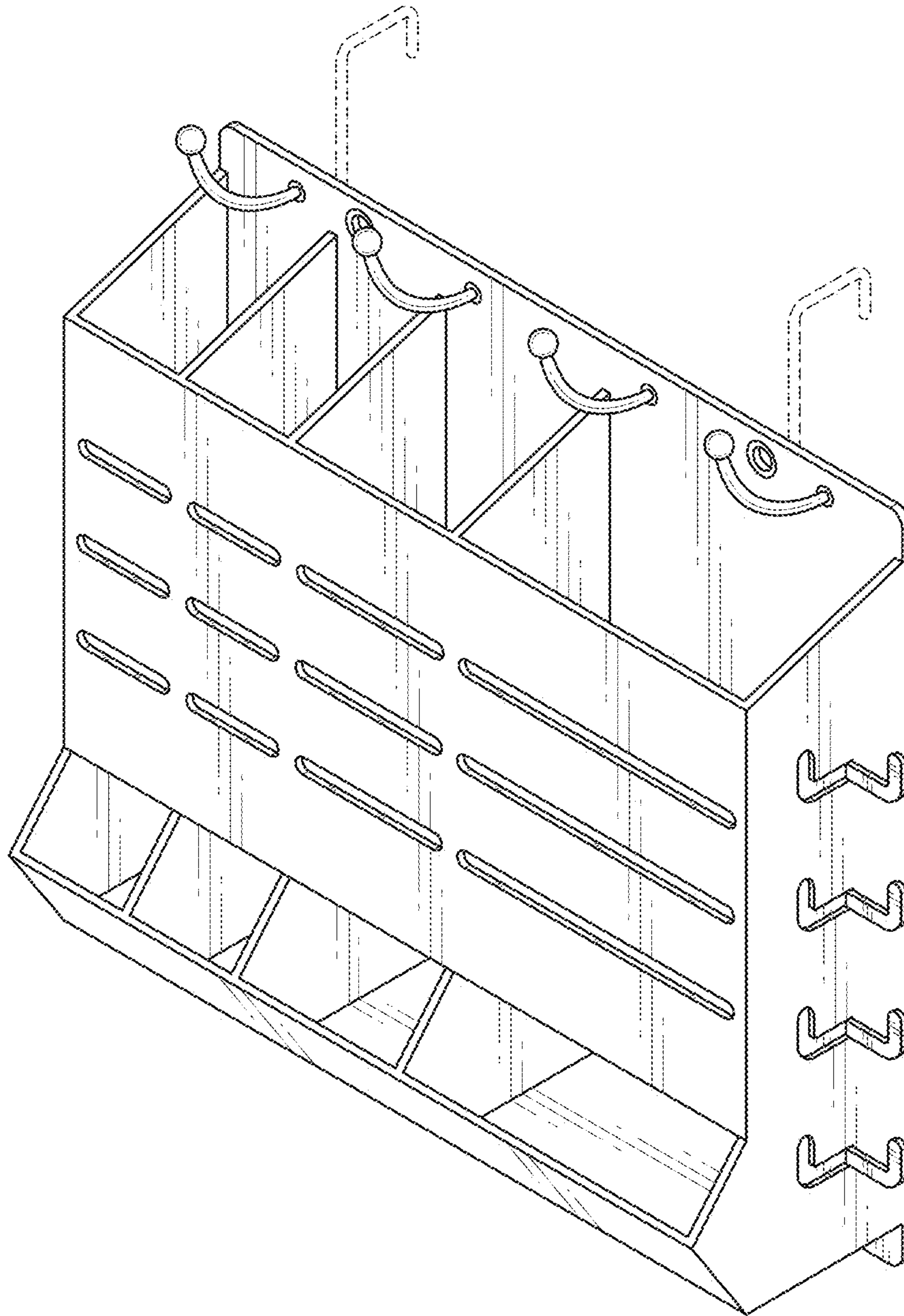


FIG. 7

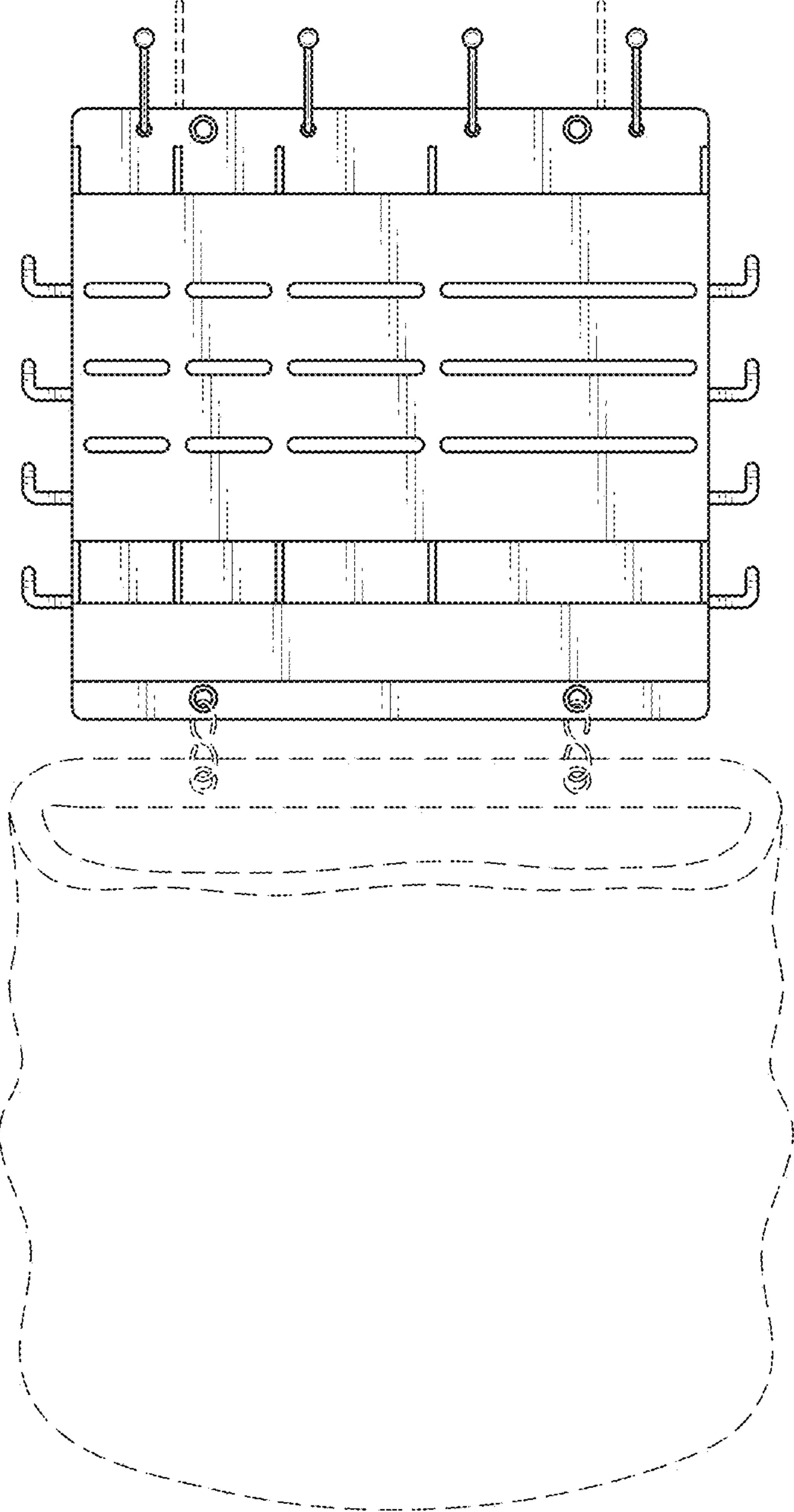


FIG. 8