



US00D948236S

(12) **United States Design Patent** (10) **Patent No.:** **US D948,236 S**
Wu (45) **Date of Patent:** **** Apr. 12, 2022**

- (54) **LAP DESK WITH USB PORT**
- (71) Applicant: **Changsha Weidu E-Commerce Co., Ltd., Hunan (CN)**
- (72) Inventor: **Qunjie Wu, Hunan (CN)**
- (73) Assignee: **Changsha Weidu E-Commerce Co., Ltd., Changsha (CN)**
- (**) Term: **15 Years**
- (21) Appl. No.: **29/769,680**
- (22) Filed: **Feb. 7, 2021**
- (51) **LOC (13) Cl.** **06-06**
- (52) **U.S. Cl.**
USPC **D6/406.5**
- (58) **Field of Classification Search**
USPC D6/406.1-406.6, 421-422; D19/91-92;
D7/552.2, 554.3-554.4
CPC A47B 23/00; A47B 23/001; A47B 23/002;
A47G 23/06; A47G 23/0633
See application file for complete search history.

- (56) **References Cited**
U.S. PATENT DOCUMENTS
D212,541 S * 10/1968 Taylor D6/642
D355,786 S * 2/1995 Wolff D6/406.5
D380,727 S * 7/1997 Gilstrap D12/417
D404,219 S 1/1999 Patterson
D426,409 S * 6/2000 Clark D6/406.5
D428,729 S * 8/2000 Weitzman D6/406.5

D455,025 S *	4/2002	Weitzman	D6/406.5
D526,810 S	8/2006	Lorr		
D550,477 S *	9/2007	Probst	D6/406.5
D624,922 S *	10/2010	Hui	D14/447
D668,472 S *	10/2012	Wong	D6/406.5
D679,520 S *	4/2013	Wong	D6/406.5
D679,921 S *	4/2013	Kiechler	D6/406.5
D781,062 S *	3/2017	Probst	D6/406.5
D785,361 S *	5/2017	Salisbury	D6/406.5
D840,708 S *	2/2019	Melaragno	D6/406.5
D892,515 S *	8/2020	Wang	D6/406.5
2010/0031855 A1 *	2/2010	Zhu	A47B 23/042 108/4
2010/0096960 A1 *	4/2010	Lee	A47B 21/00 312/194

* cited by examiner

Primary Examiner — Kelley A Donnelly

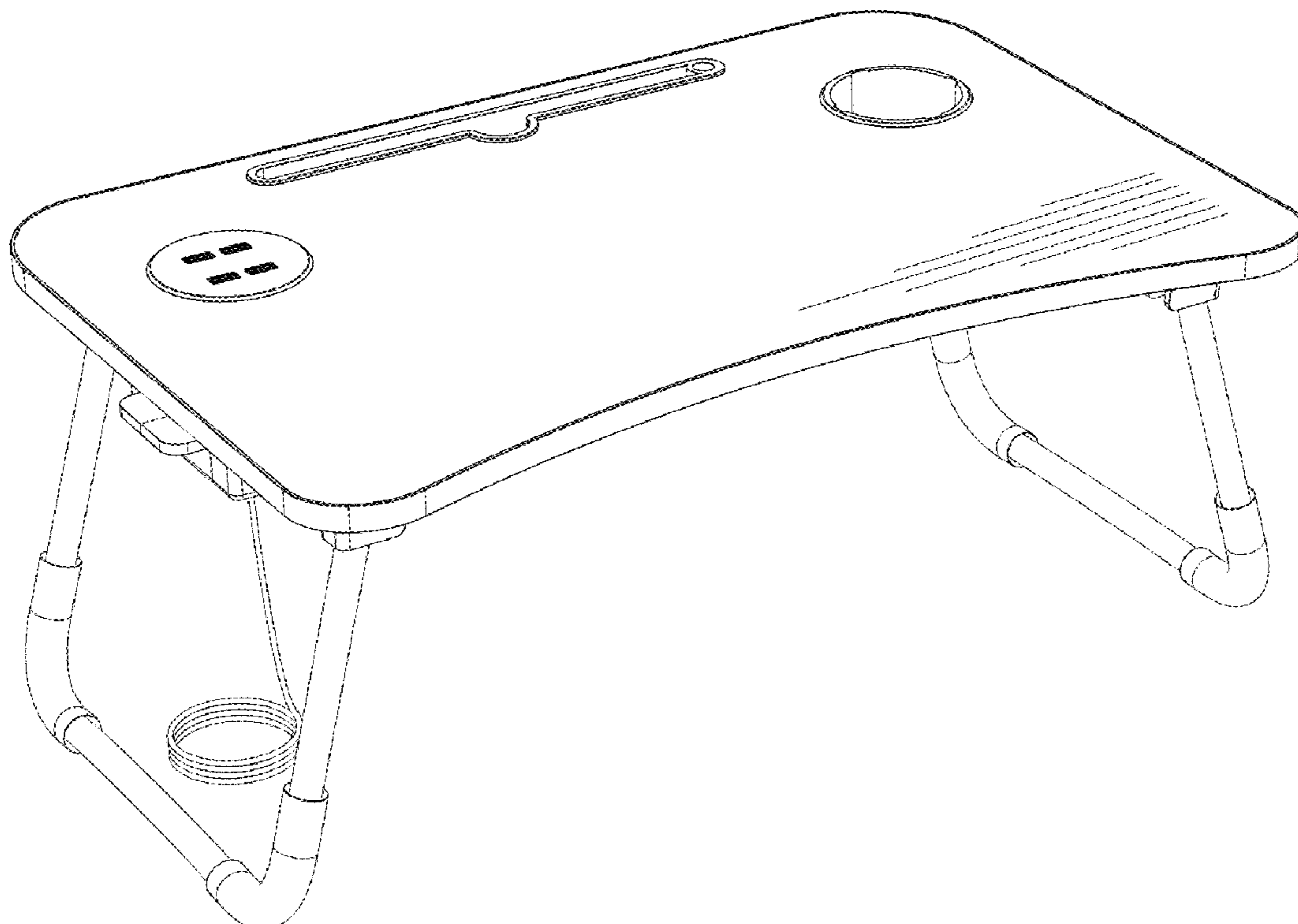
(57) **CLAIM**

The ornamental design for a lap desk with USB port, as shown and described.

DESCRIPTION

FIG. 1 is a perspective view of a lap desk with USB port showing my new design;
 FIG. 2 is an alternative perspective view thereof;
 FIG. 3 is another perspective view of a lap desk with USB port with drawer open;
 FIG. 4 is a front view thereof;
 FIG. 5 is a back view thereof;
 FIG. 6 is a left side view thereof;
 FIG. 7 is a right side view thereof;
 FIG. 8 is a top view thereof; and,
 FIG. 9 is a bottom view thereof.

1 Claim, 9 Drawing Sheets



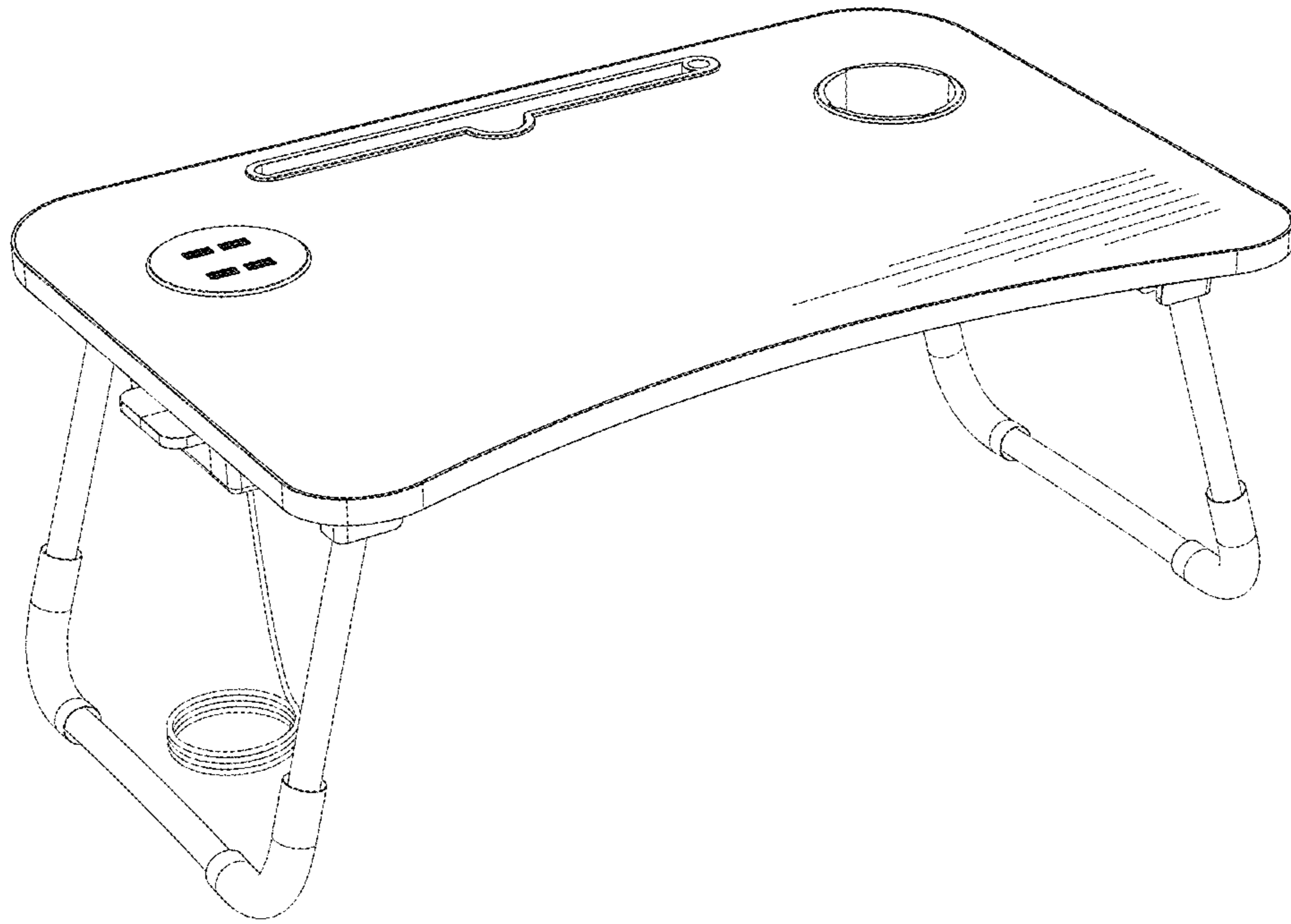


FIG. 1

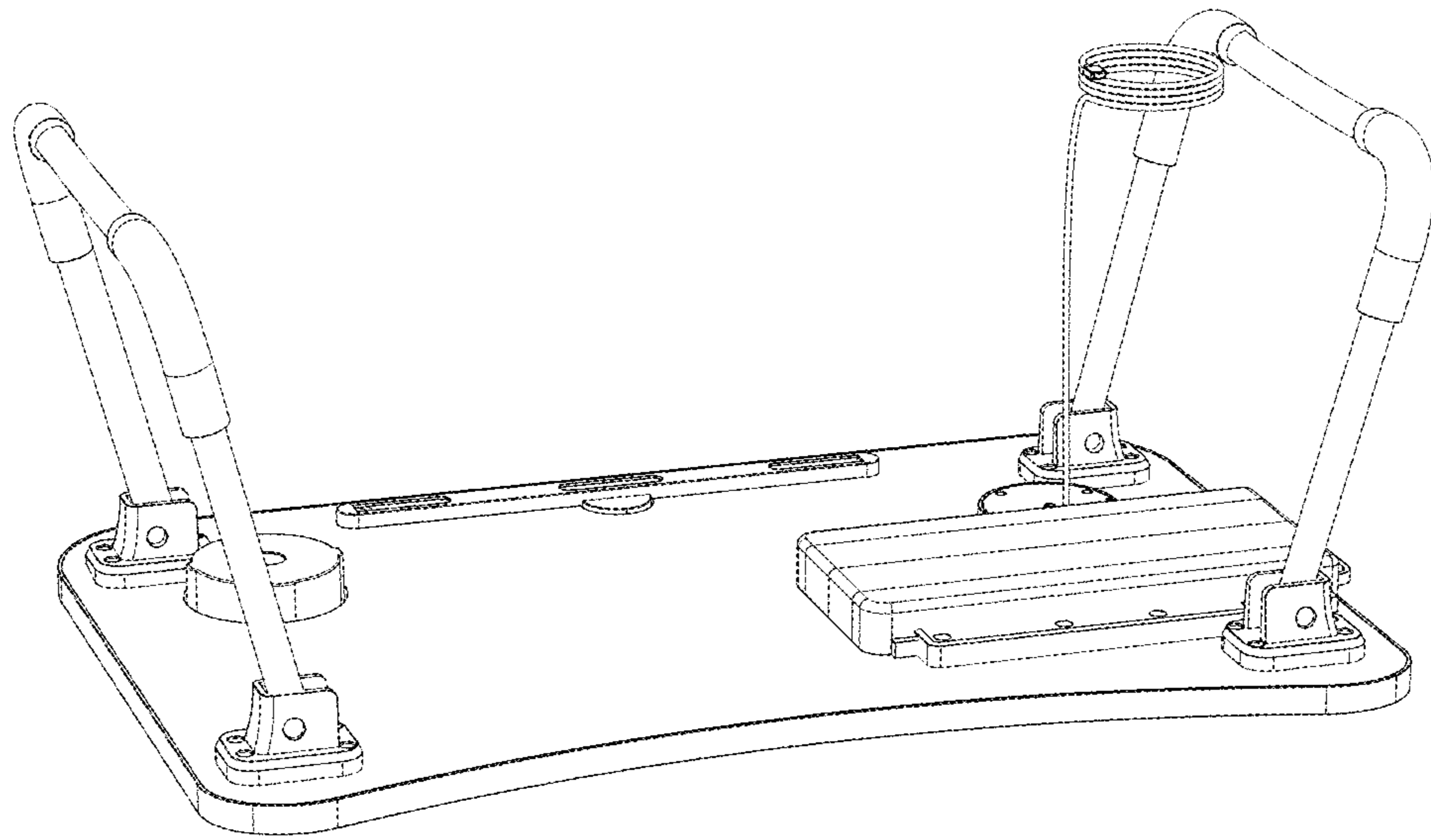


FIG. 2

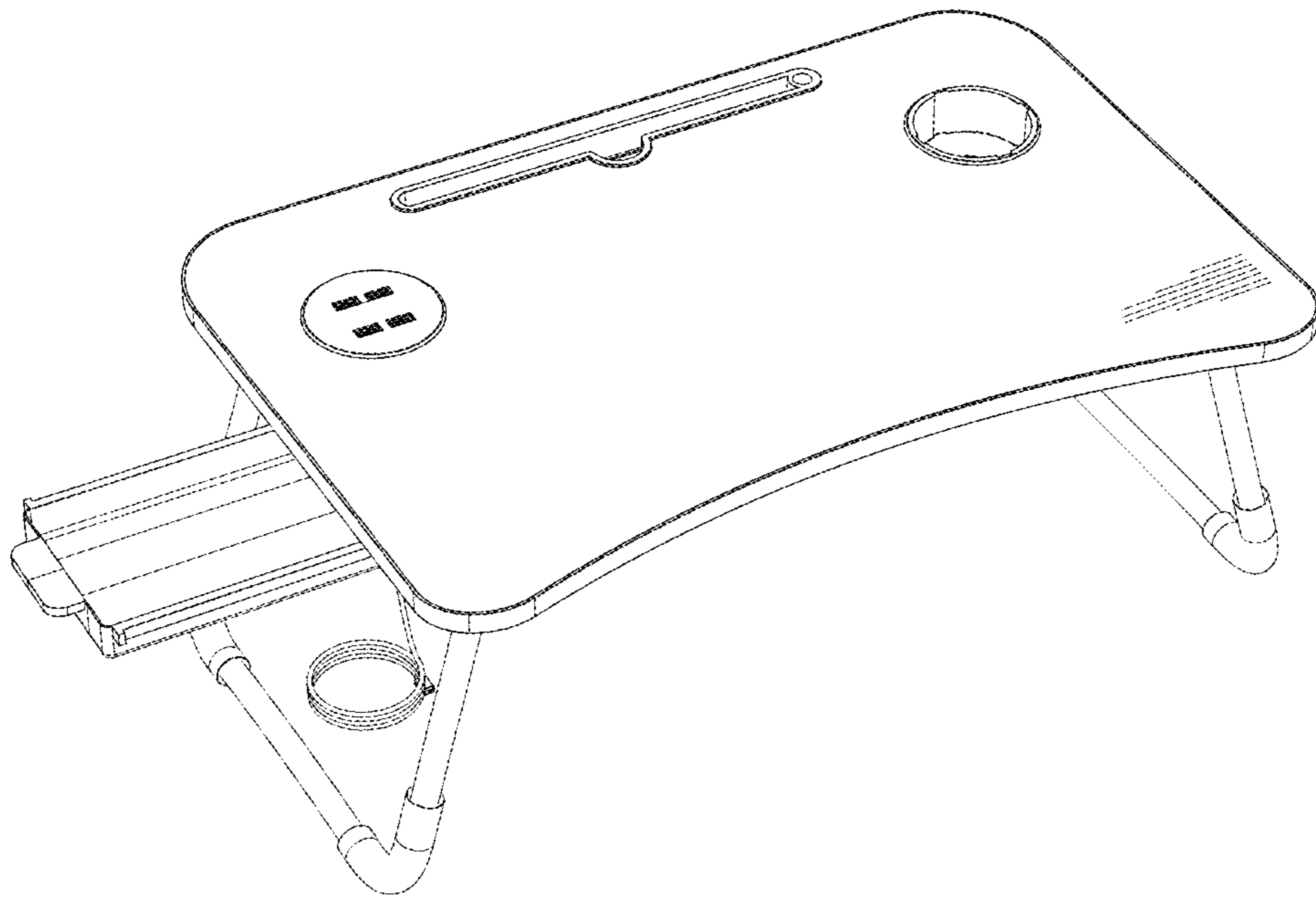


FIG. 3

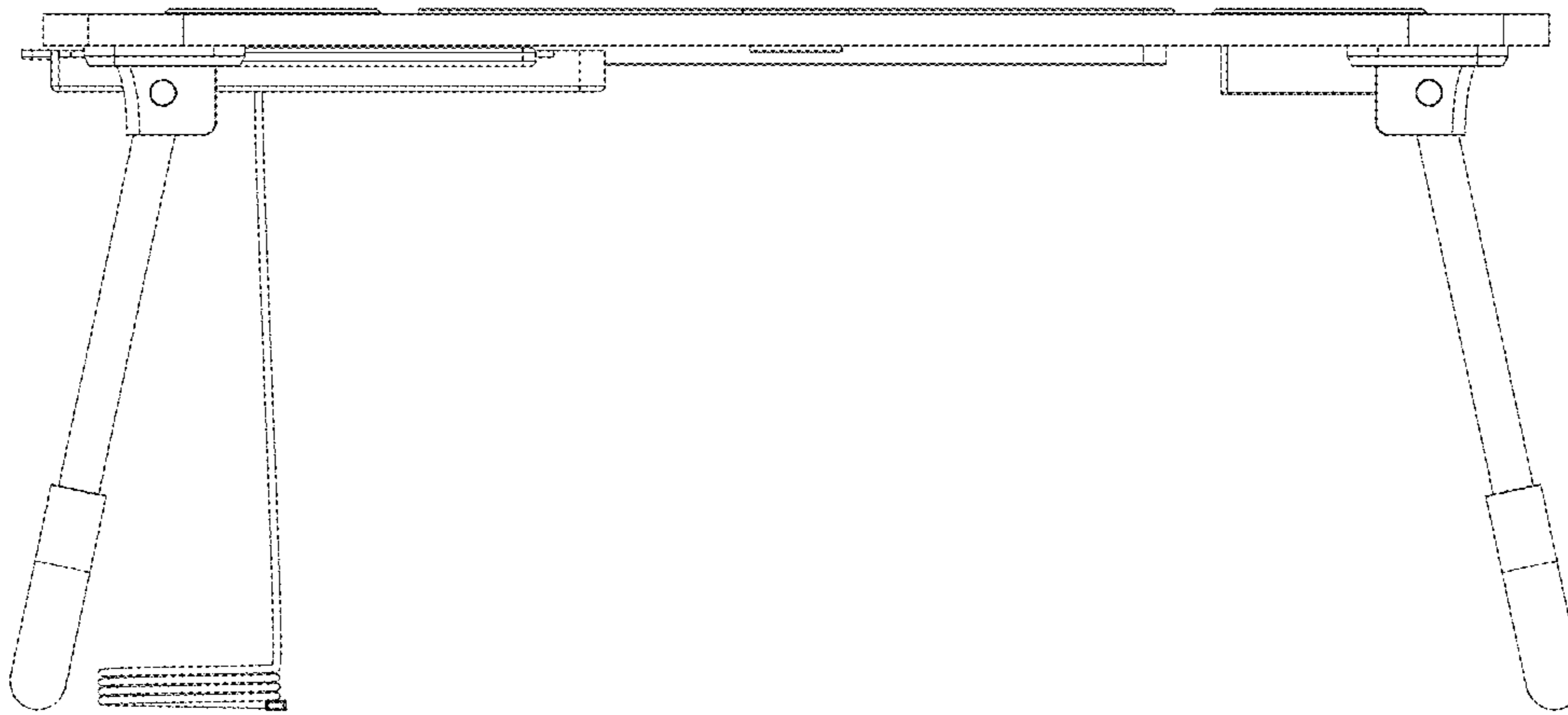


FIG. 4

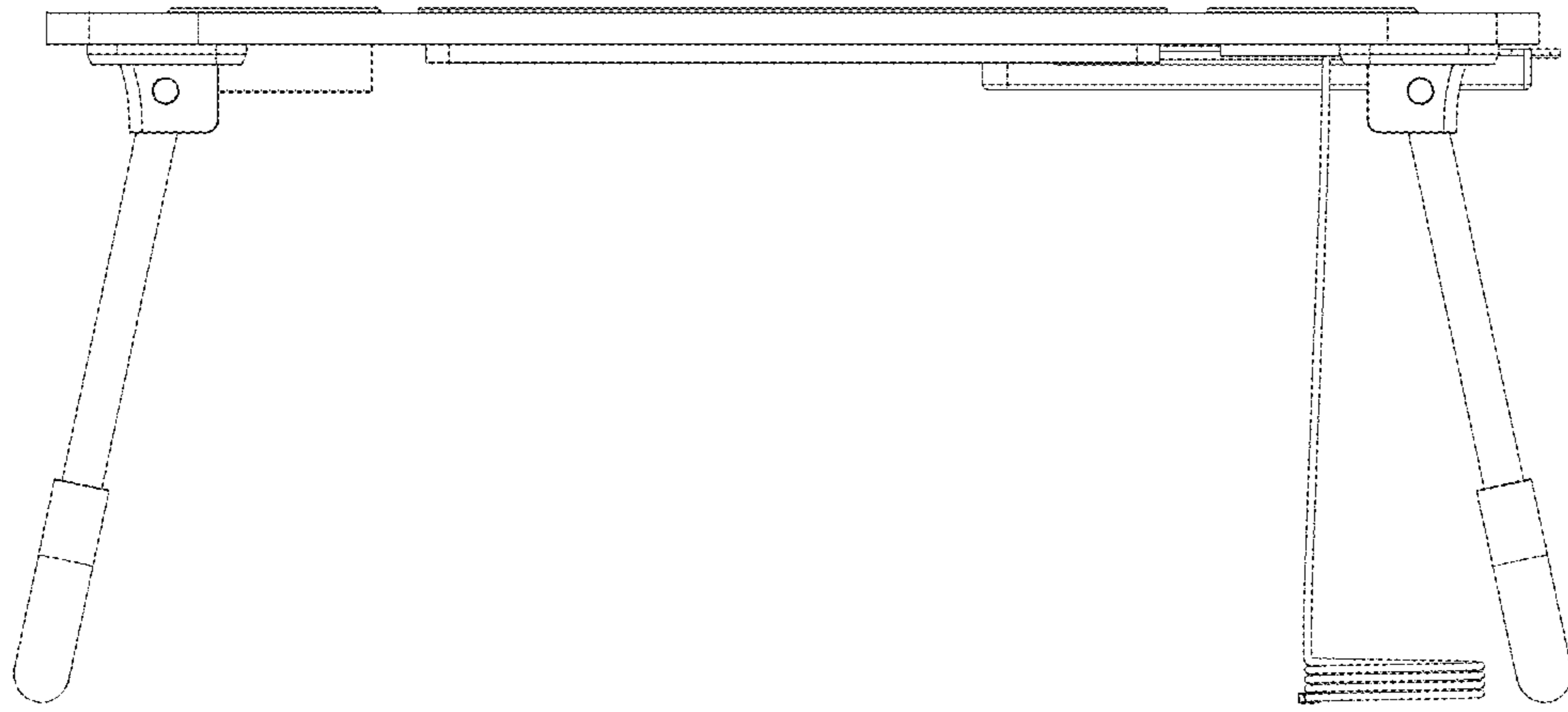


FIG. 5

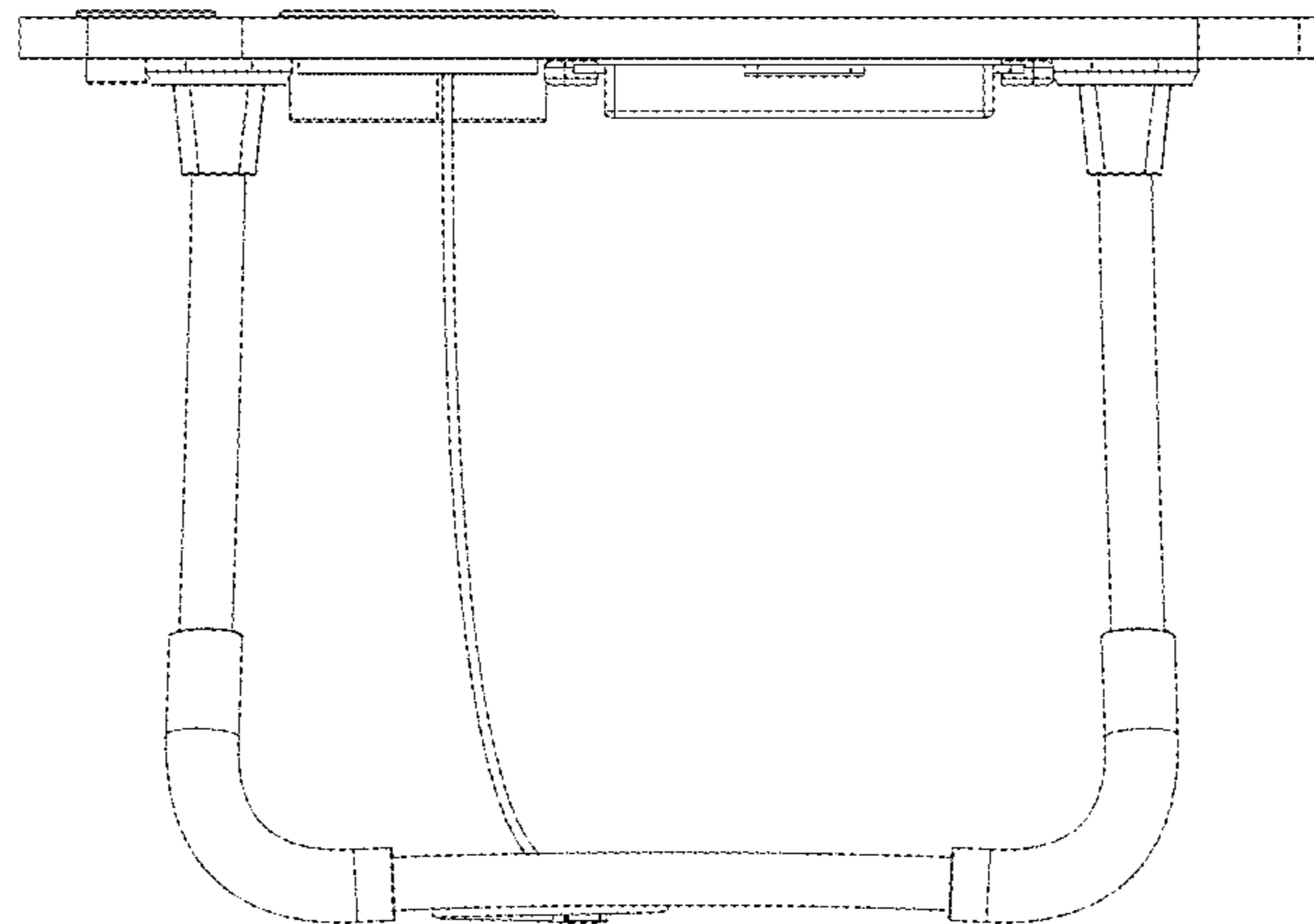


FIG. 6

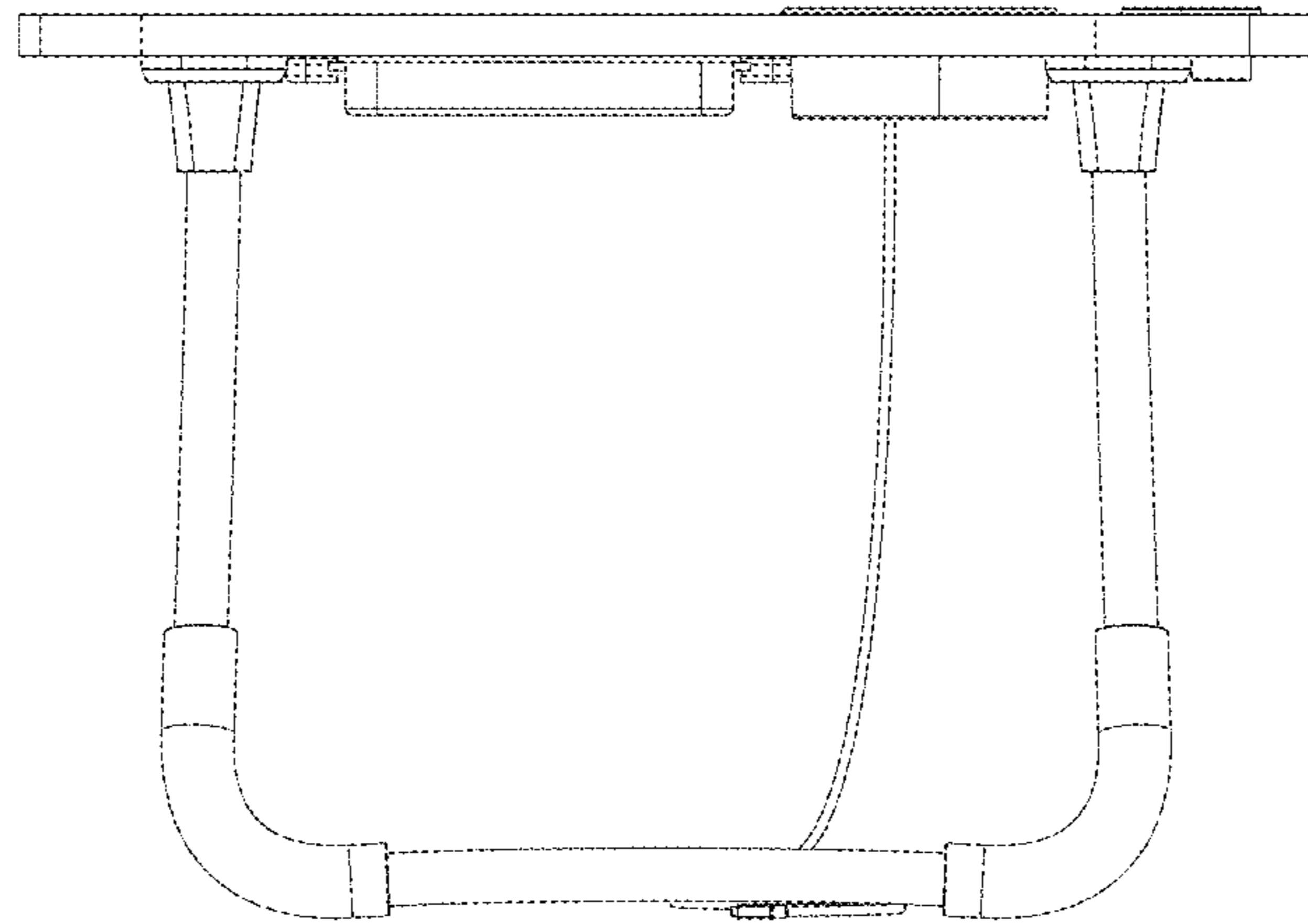


FIG. 7

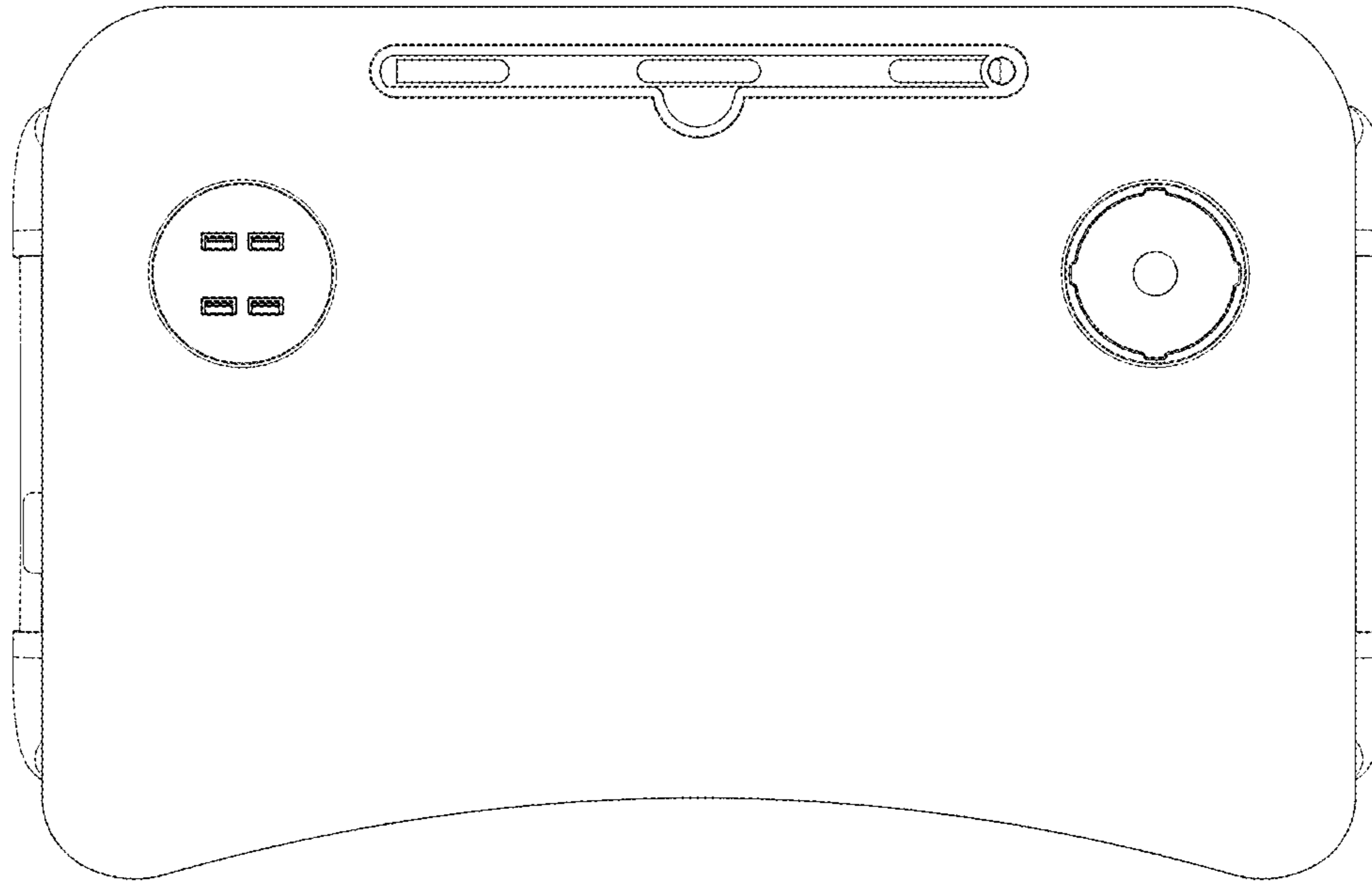


FIG. 8

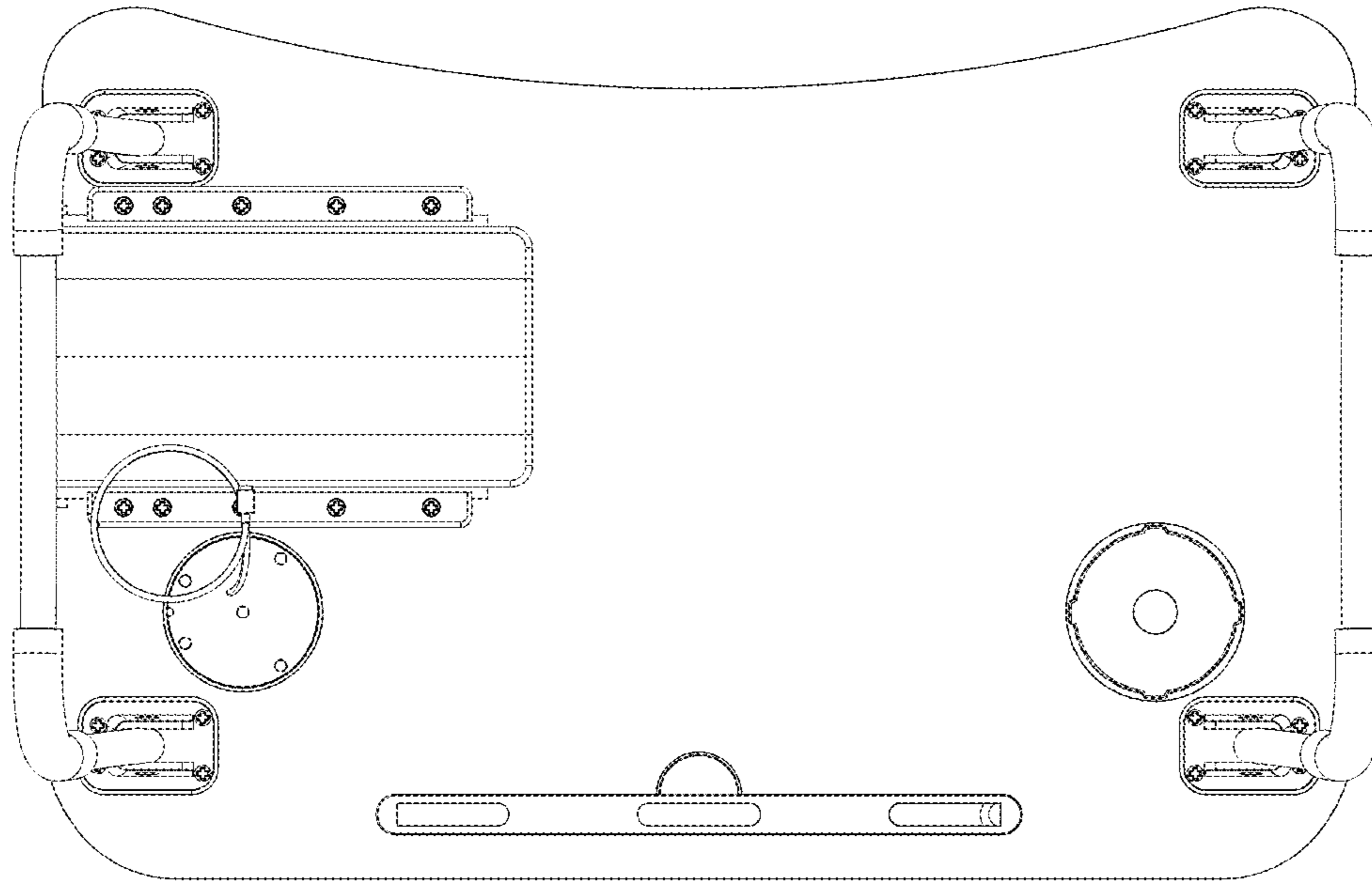


FIG. 9