



US00D948235S

(12) **United States Design Patent** (10) **Patent No.:** **US D948,235 S**
Sadove et al. (45) **Date of Patent:** **** Apr. 12, 2022**

- (54) **CHAIR**
- (71) Applicant: **Williams-Sonoma, Inc.**, San Francisco, CA (US)
- (72) Inventors: **Laurie Sadove**, New York, NY (US); **Sandra Capasso**, Brooklyn, NY (US)
- (73) Assignee: **Williams-Sonoma, Inc.**, San Francisco, CA (US)
- (**) Term: **15 Years**
- (21) Appl. No.: **29/806,142**
- (22) Filed: **Sep. 1, 2021**

D433,830	S	*	11/2000	Barile	D6/360
D468,926	S	*	1/2003	Bongaerts	D6/360
7,118,175	B2	*	10/2006	Crue	A47C 3/04 297/239
D564,772	S	*	3/2008	Alter Molina	D6/375
D617,567	S	*	6/2010	Stiker Metral	D6/360
D630,449	S	*	1/2011	Kelemer	D6/368
D645,669	S	*	9/2011	Obiorah	D6/360
D651,007	S	*	12/2011	Ciani	D6/360
D796,220	S	*	9/2017	Asner	D6/370
D800,467	S	*	10/2017	Galiotto	D6/360
D859,022	S	*	9/2019	Jones	D6/374
D860,666	S	*	9/2019	Urquiola	D6/360
D893,895	S	*	8/2020	Traverso	D6/334
D899,120	S	*	10/2020	Del Portillo	D6/360
D899,122	S	*	10/2020	Tabuchi	D6/360
D917,911	S	*	5/2021	Jones	D6/376
D921,380	S	*	6/2021	Nardi	D6/360
D932,204	S	*	10/2021	Hiyoshi	D6/380
D933,992	S	*	10/2021	Sadove	D6/380
2004/0061365	A1	*	4/2004	Crue	A47C 3/04 297/239

Related U.S. Application Data

- (62) Division of application No. 29/746,748, filed on Aug. 17, 2020, now Pat. No. Des. 933,992.
- (51) **LOC (13) Cl.** **06-01**
- (52) **U.S. Cl.**
USPC **D6/380**
- (58) **Field of Classification Search**
USPC D6/349, 360, 369, 371, 373, 375, 716;
D21/521
CPC A47C 31/02; A47C 3/12
See application file for complete search history.

* cited by examiner

Primary Examiner — Kevin K Rudzinski
Assistant Examiner — Paul D Bohannon
(74) *Attorney, Agent, or Firm* — Cook Alex Ltd.

(57) **CLAIM**

The ornamental design for a chair, as shown and described.

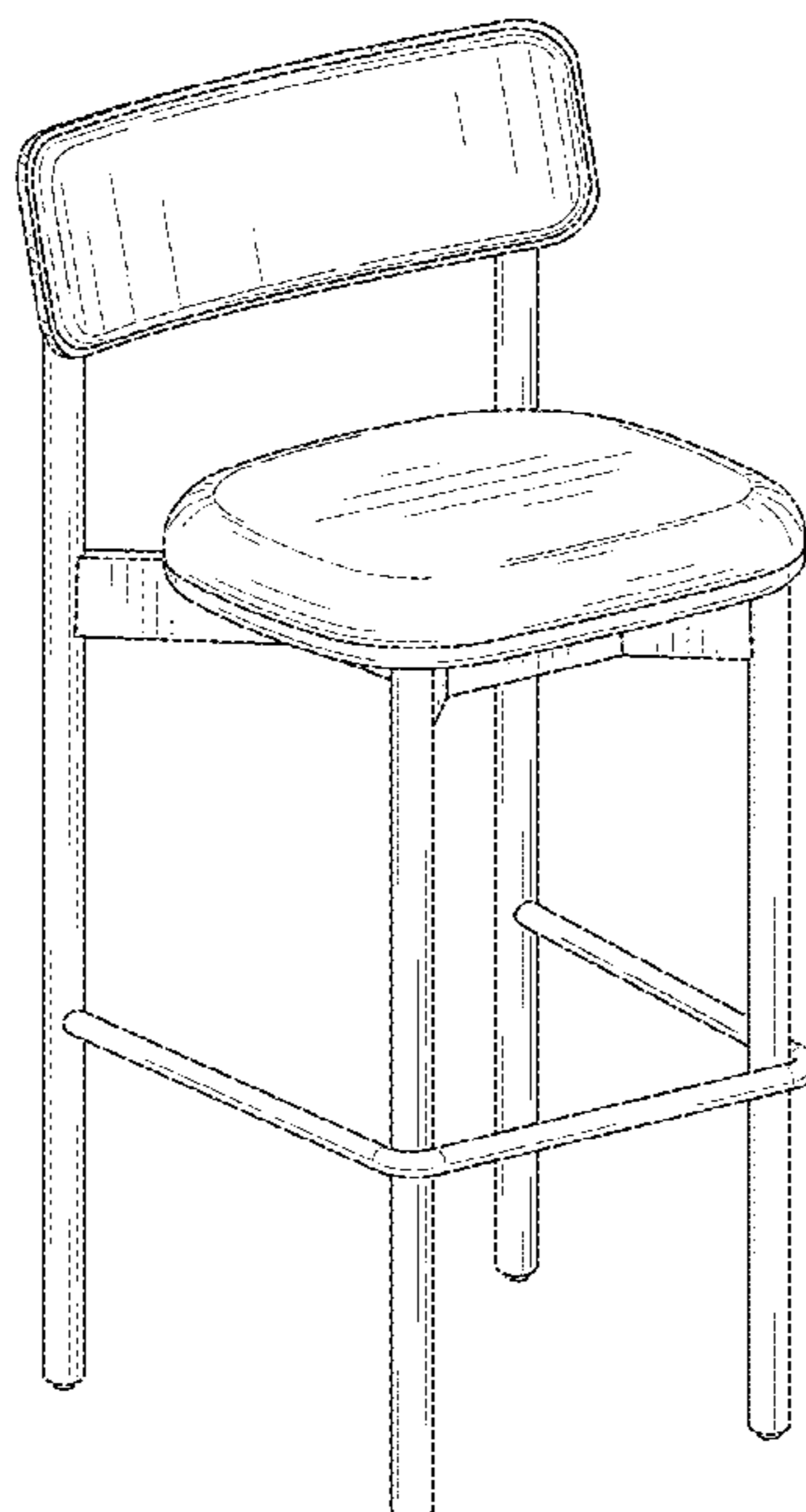
DESCRIPTION

FIG. 1 is a perspective view of the chair;
FIG. 2 is a front elevational view thereof;
FIG. 3 is a rear elevational view thereof;
FIG. 4 is a right side elevational view thereof, the opposite side of which is a mirror image;
FIG. 5 is a top plan view thereof; and,
FIG. 6 is a bottom plan view thereof.

1 Claim, 4 Drawing Sheets

(56) **References Cited**
U.S. PATENT DOCUMENTS

D202,426	S	*	9/1965	Jakobsen	D6/360
D272,018	S	*	1/1984	Thompson	D6/380
D293,743	S	*	1/1988	Hoyt	D6/350
D357,592	S	*	4/1995	Kellen	D6/360
D368,379	S	*	4/1996	Muller	D6/360
D369,686	S	*	5/1996	Martin	D6/360
D400,721	S	*	11/1998	Baeriswyl	D6/360



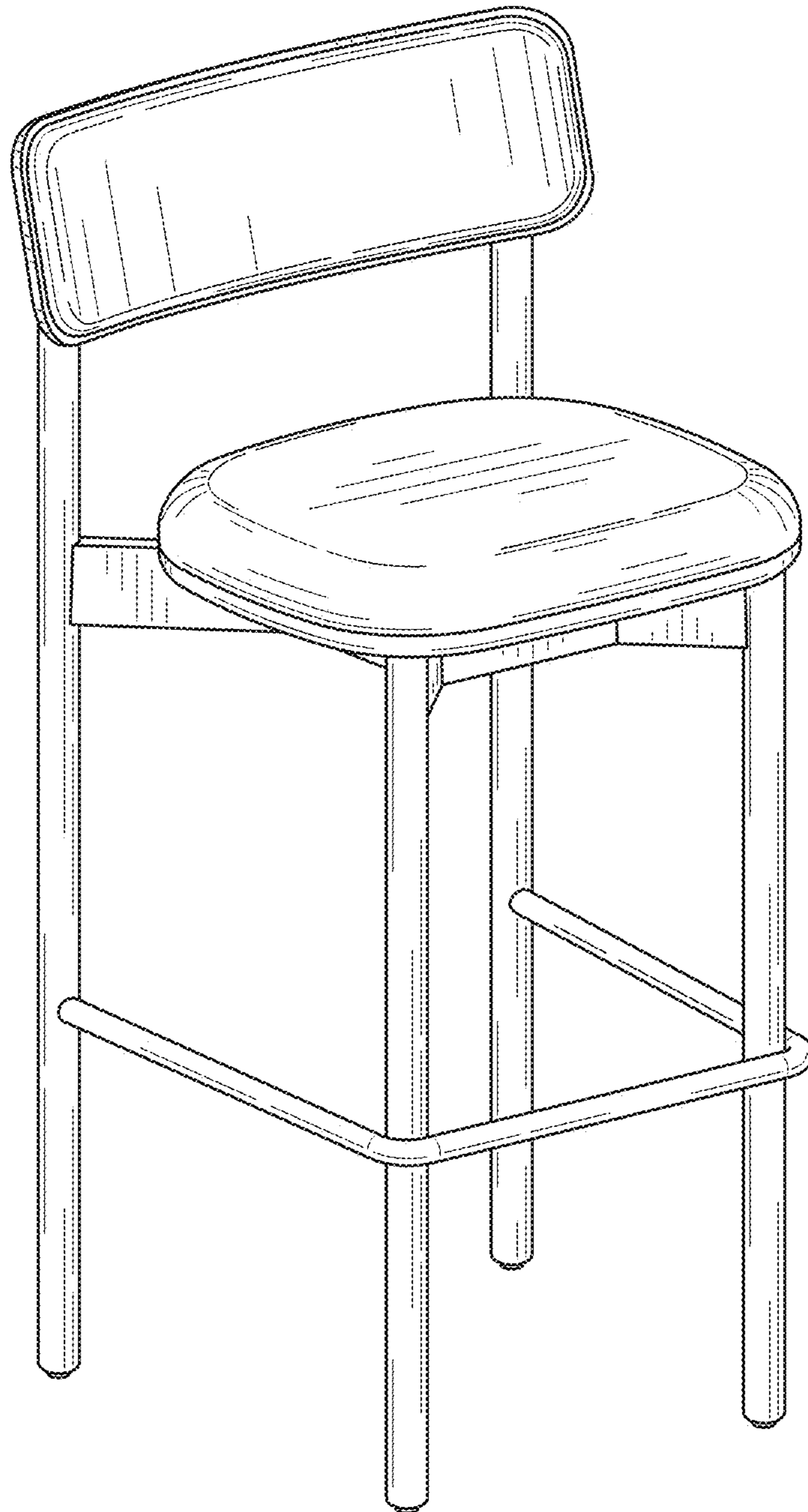


FIG. 1

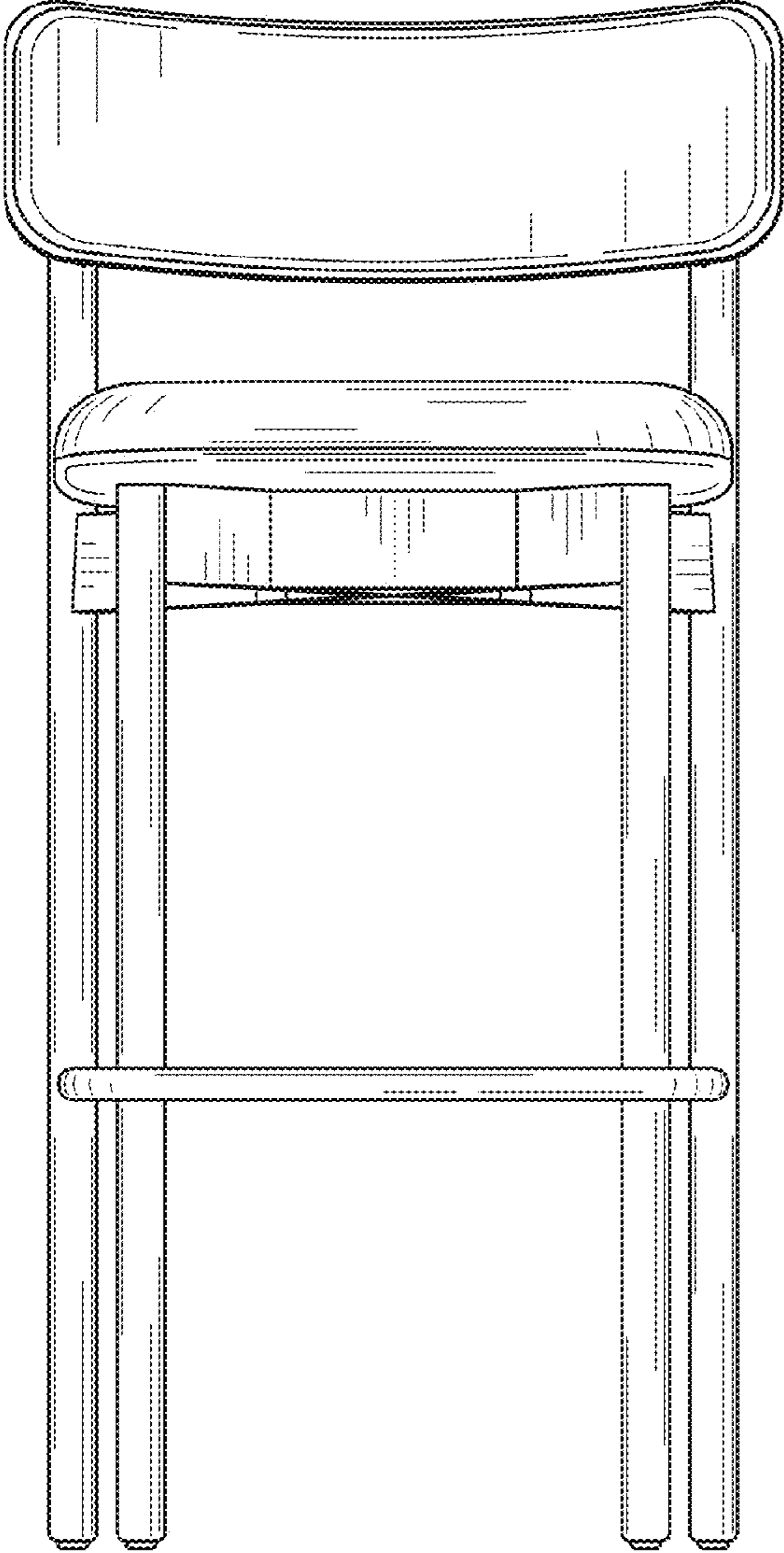


FIG. 2

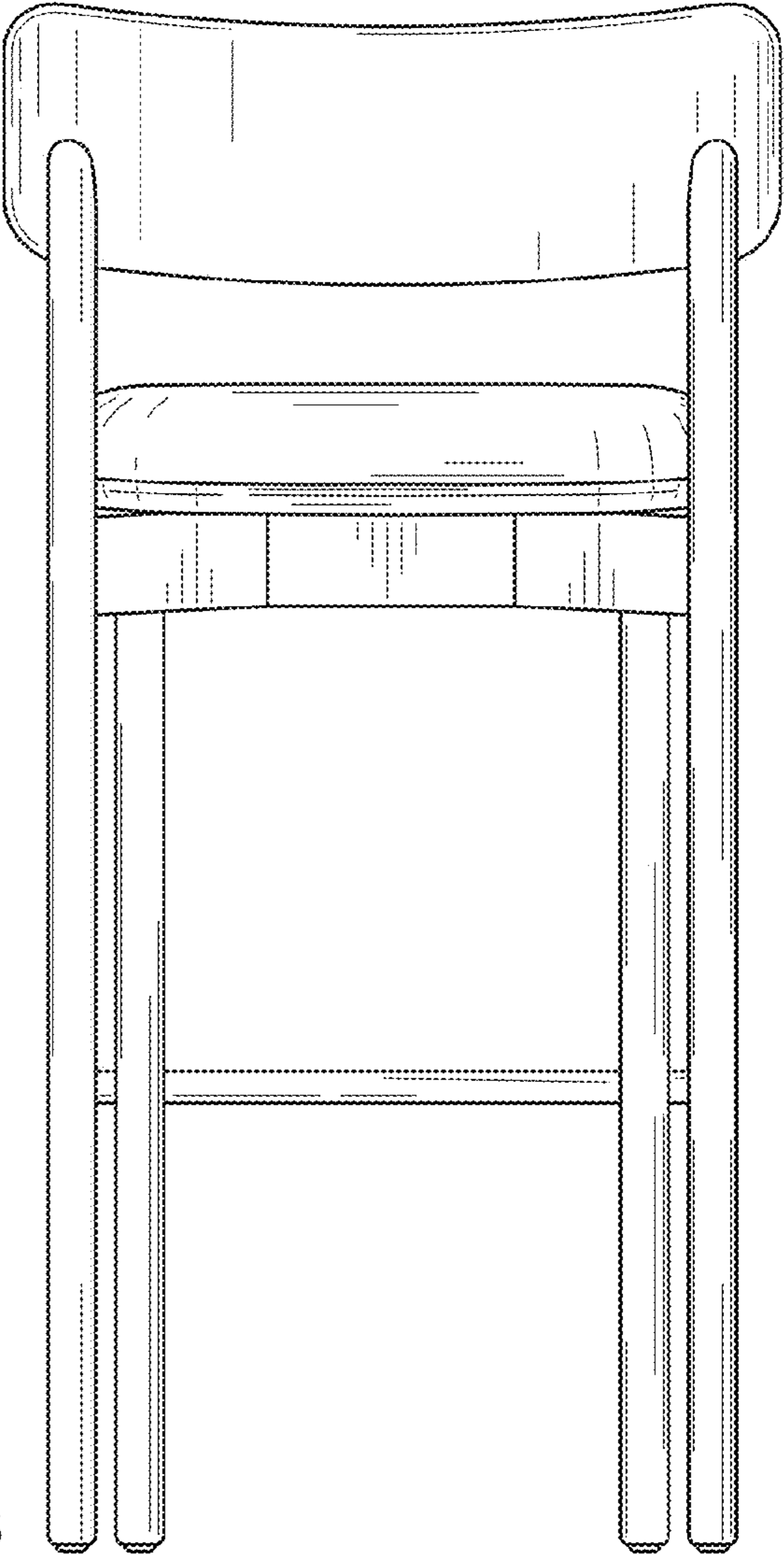


FIG. 3

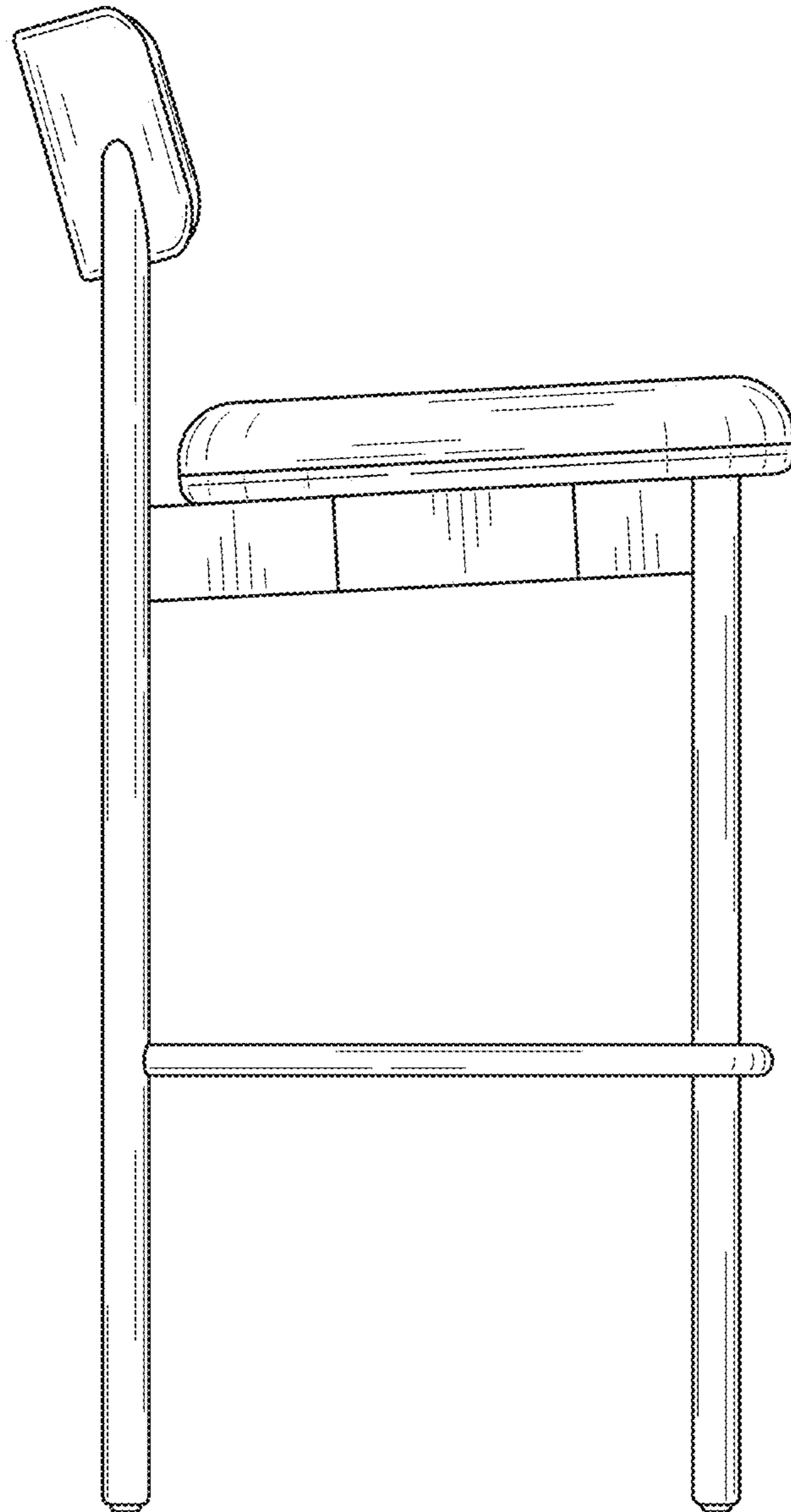


FIG. 4

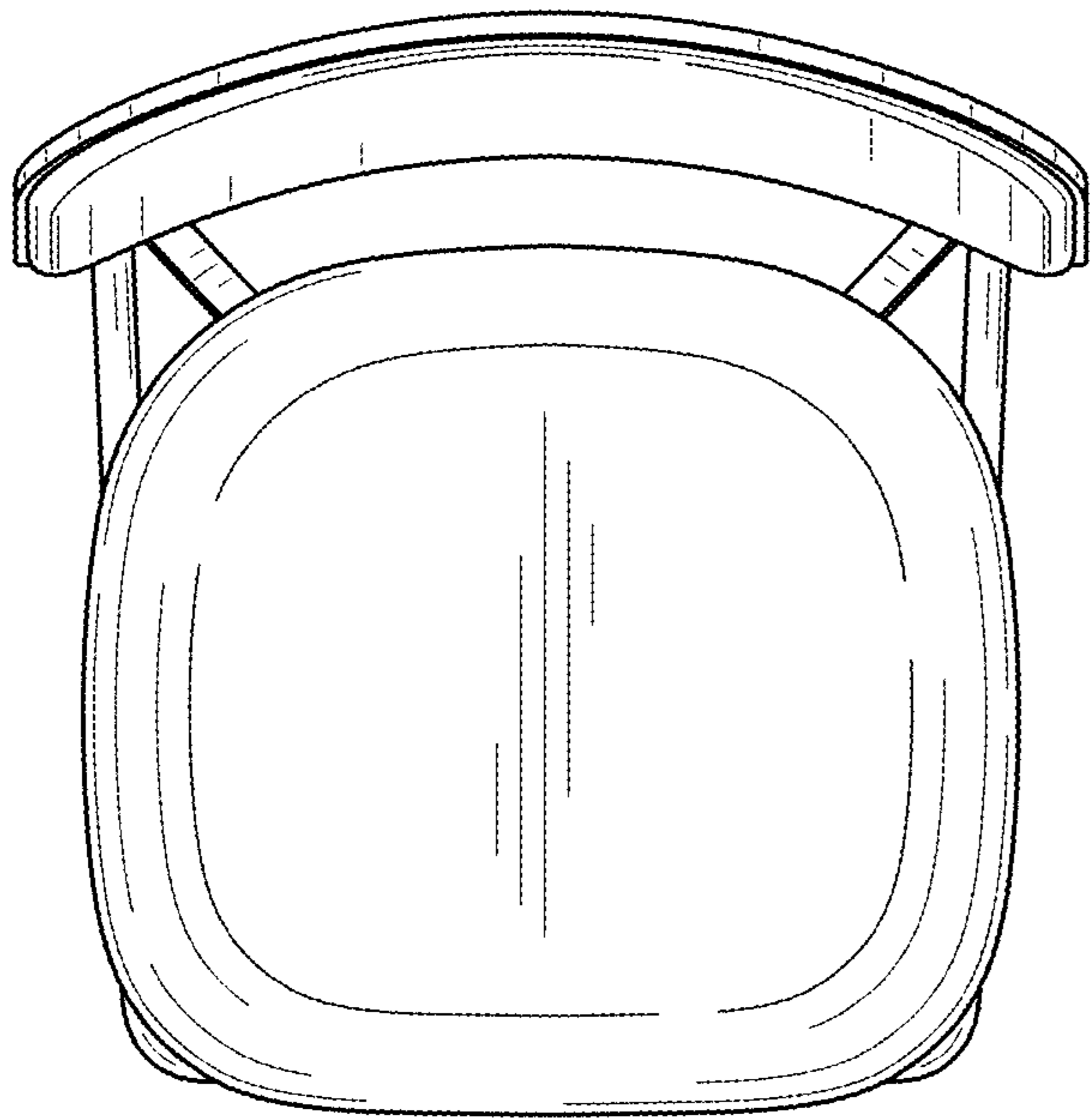


FIG. 5

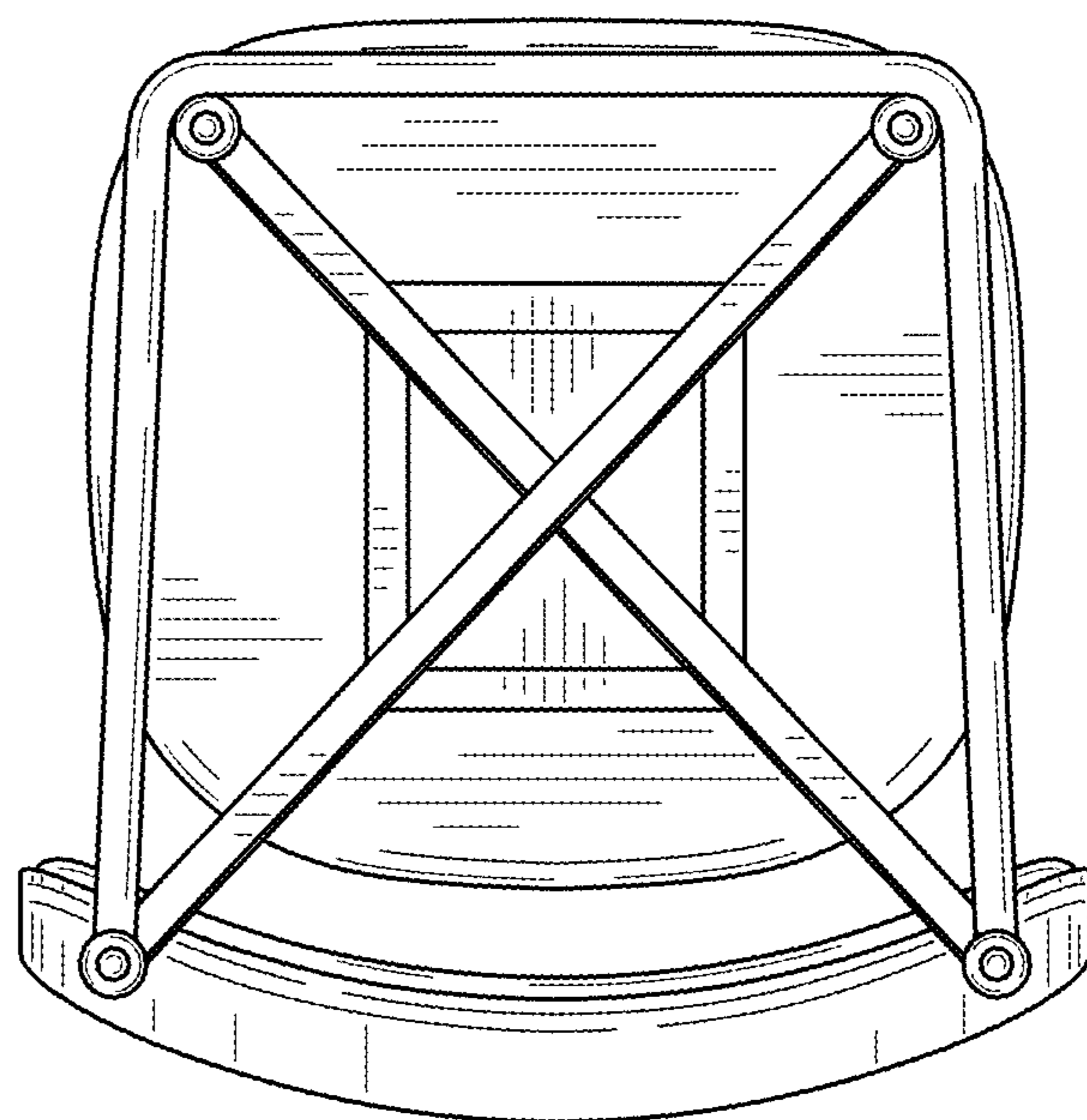


FIG. 6