



US00D948234S

(12) **United States Design Patent**
Højfeldt

(10) **Patent No.:** **US D948,234 S**

(45) **Date of Patent:** **** Apr. 12, 2022**

(54) **SOFA**
(71) Applicant: **Innovation U.S.A., Inc.**, Mission Viejo, CA (US)
(72) Inventor: **Emil Højfeldt**, Randers (DK)
(73) Assignee: **INNOVATION U.S.A., INC.**, Mission Viejo, CA (US)
(**) Term: **15 Years**
(21) Appl. No.: **29/740,309**

D655,100 S * 3/2012 Yeung Ka Fei D6/371
D686,008 S * 7/2013 Sage D6/377
D781,610 S * 3/2017 King D6/377
D843,749 S * 3/2019 Aubry D6/369
D858,133 S * 9/2019 Manzoni D6/381
D874,173 S * 2/2020 Carter D6/361
2020/0121090 A1 * 4/2020 Romano A47C 15/00

(22) Filed: **Jul. 2, 2020**
(30) **Foreign Application Priority Data**
Jan. 10, 2020 (EM) 007497425-0006
(51) **LOC (13) Cl.** **06-01**
(52) **U.S. Cl.**
USPC **D6/377; D6/381**
(58) **Field of Classification Search**
USPC D6/334-336, 349, 369, 377, 379, 381
CPC A47C 17/00; A47C 17/02; A47C 17/04;
A47C 17/045; A47C 17/12; A47C 17/13;
A47C 17/132; A47C 17/134; A47C
17/136; A47C 17/16; A47C 17/162; A47C
17/17; A47C 17/18; A47C 17/86
See application file for complete search history.

FOREIGN PATENT DOCUMENTS

DE 402013100061-0007 * 1/2013
DE 402015000076-0029 * 1/2015

OTHER PUBLICATIONS

Nolita Sectional [online], [site visited Jul. 29, 2021]. Available from internet, URL: <<https://smartfurniture.com/products/nolita-sectional-by-four-hands/>> (Year: 2021).*

Mags Sectional [online], [site visited Jul. 29, 2021]. Available from internet, URL: <https://us.hay.com/furniture/seating/sofas-and-sectionals/mags-sectional-with-chaise/2514898.html?lang=en_US> (Year: 2021).*

(Continued)

Primary Examiner — Cynthia Ramirez
Assistant Examiner — Xavier Marti-Santos
(74) *Attorney, Agent, or Firm* — Miles & Stockbridge PC; David R. Schaffer

(57) **CLAIM**

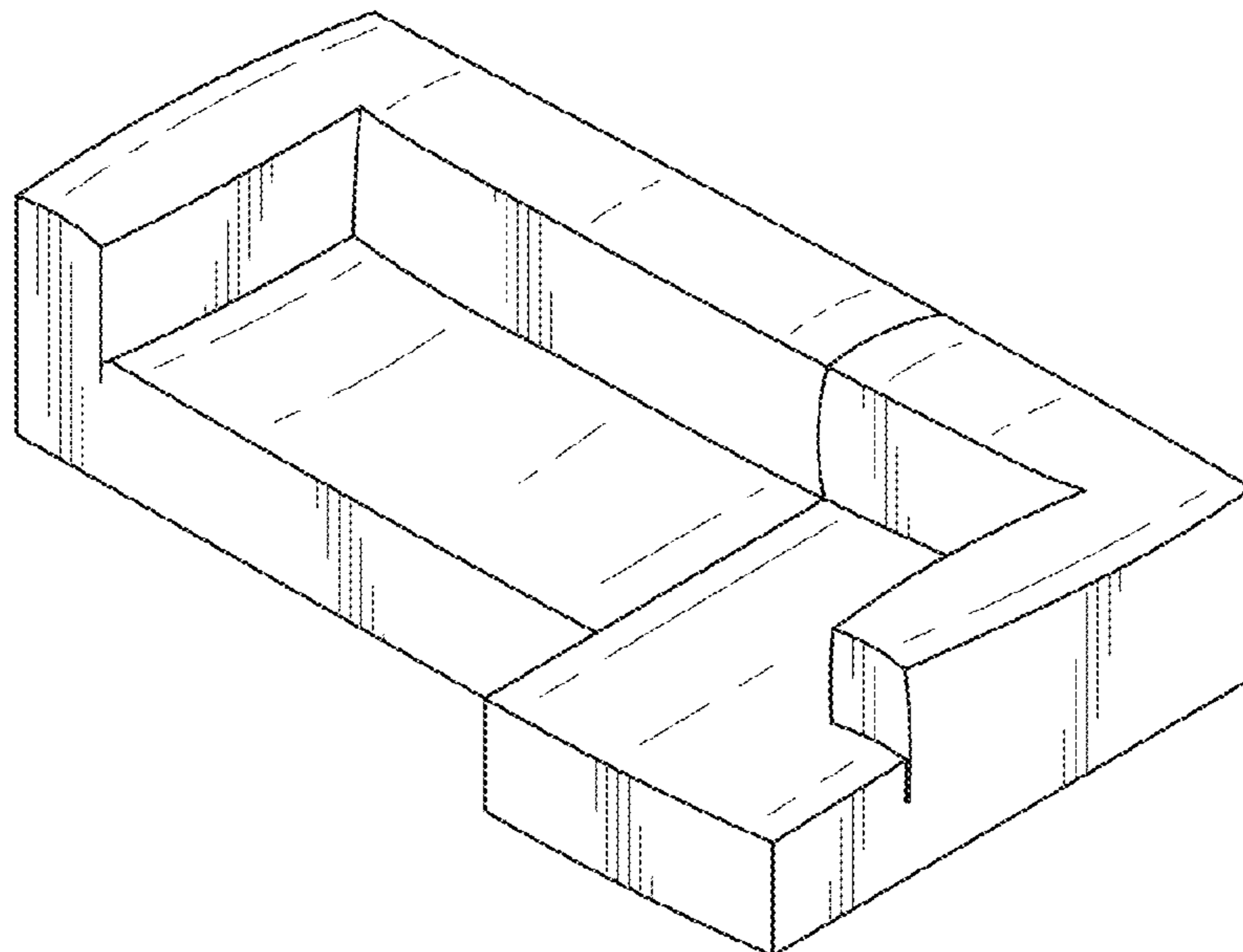
The ornamental design for a sofa, as shown and described.

DESCRIPTION

FIG. 1 is a right front perspective view of a sofa showing my new design;
FIG. 2 is a top plan view thereof;
FIG. 3 is a right elevational view thereof;
FIG. 4 is a front elevational view thereof; and,
FIG. 5 is a right rear perspective view thereof.

1 Claim, 2 Drawing Sheets

(56) **References Cited**
U.S. PATENT DOCUMENTS
3,951,453 A * 4/1976 Zapf A47C 3/16
297/440.15
D253,326 S * 11/1979 Brukoff D6/377
D484,713 S * 1/2004 Gomez D6/381
D586,578 S * 2/2009 Mourgue D6/381
D588,827 S * 3/2009 Mourgue D6/381
D647,317 S * 10/2011 Urquiola D6/377



(56)

References Cited

OTHER PUBLICATIONS

Conover Plinth Sectional [online], [site visited Jul. 29, 2021]. Available from internet, URL: <<https://www.westelmwork.com/products/lounge-seating/conover-plinth-sectional>> (Year: 2021).*

Rawhide Tan sofa [online], [site visited Jul. 29, 2021]. Available from internet, URL: <<https://www.article.com/product/15359/cigar-rawhide-tan-reversible-sectional>> (Year: 2021).*

* cited by examiner

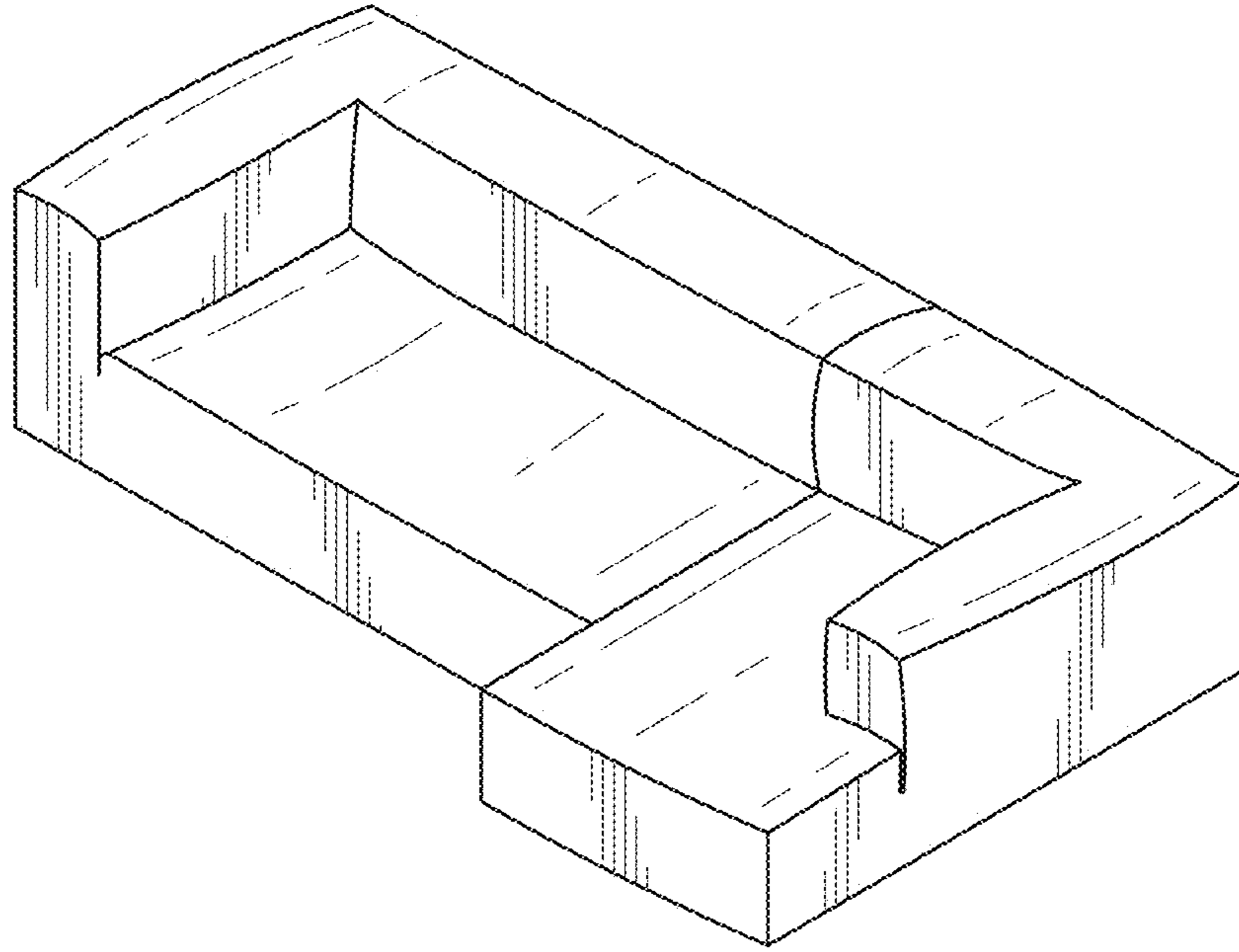


FIG. 1

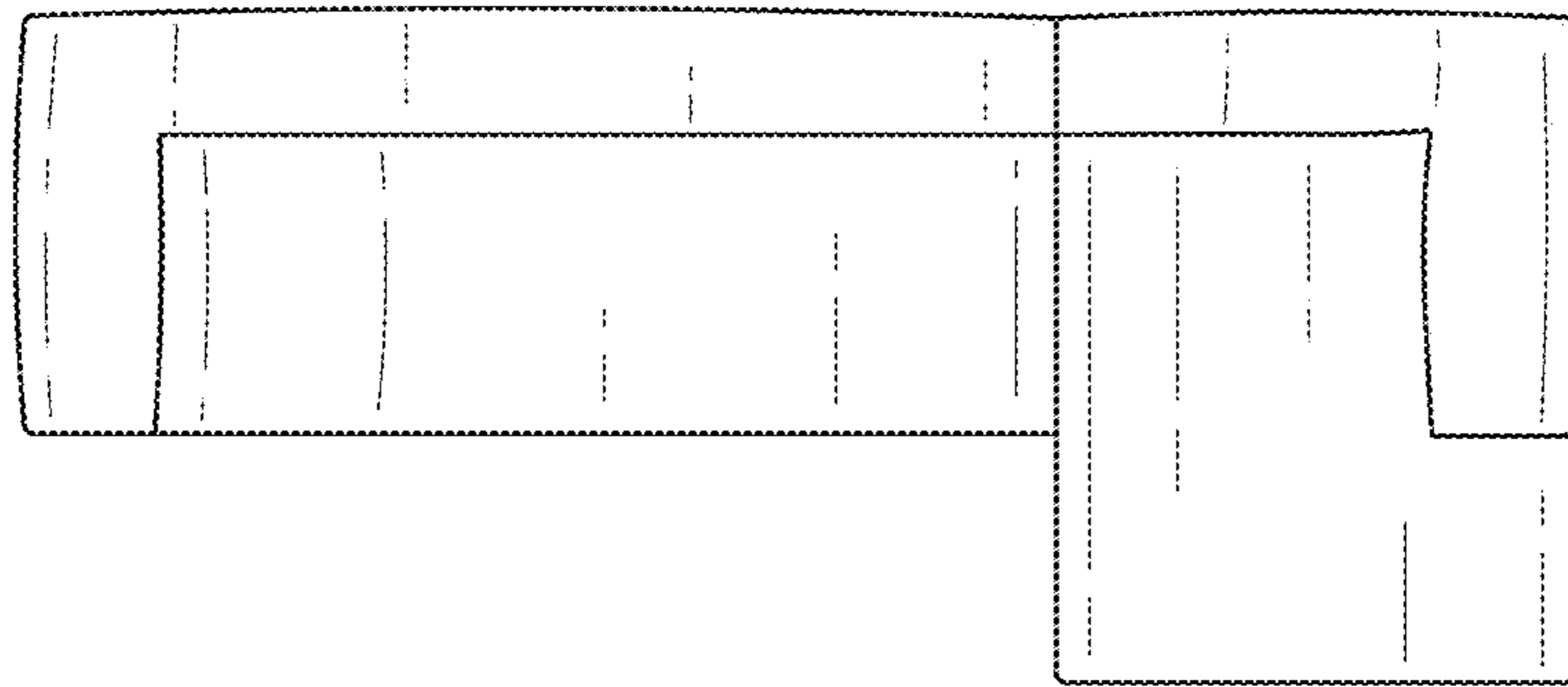


FIG. 2

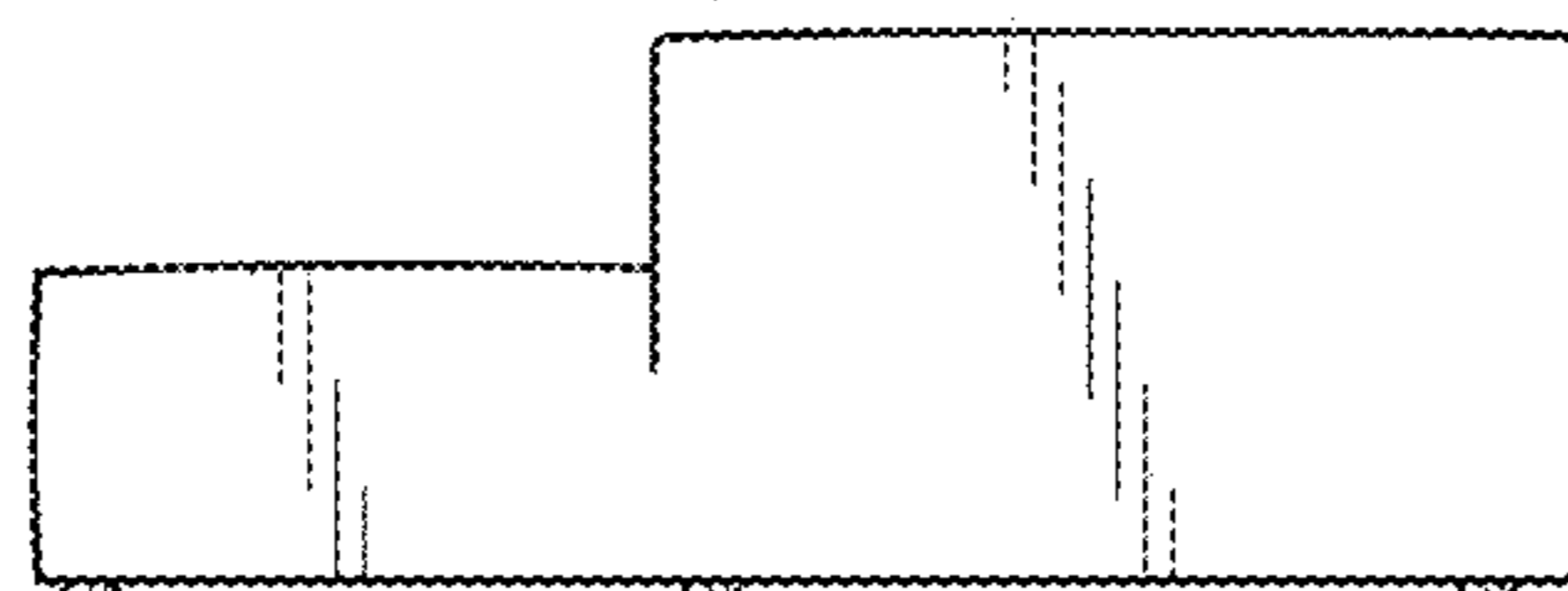


FIG. 3

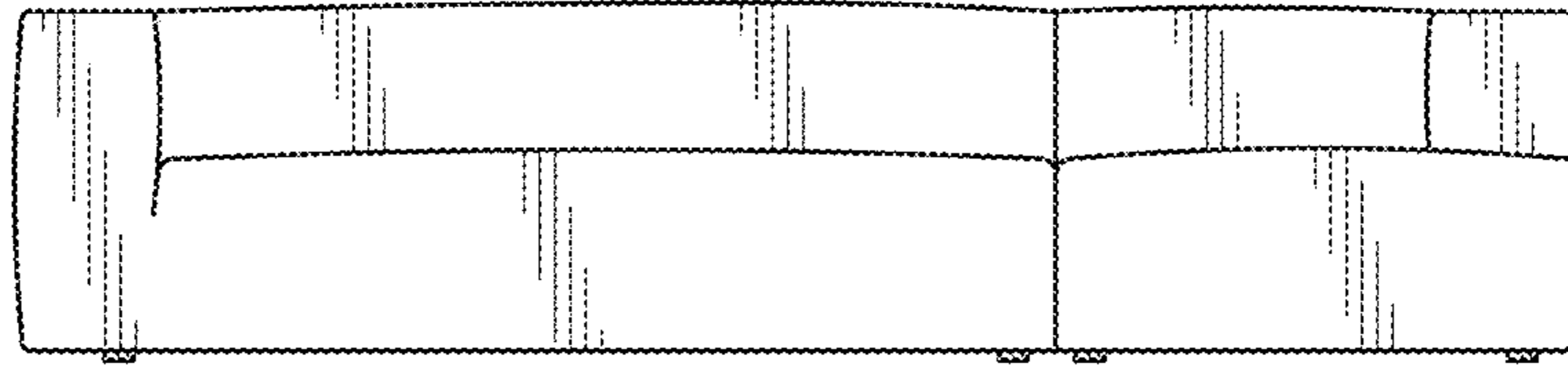


FIG. 4

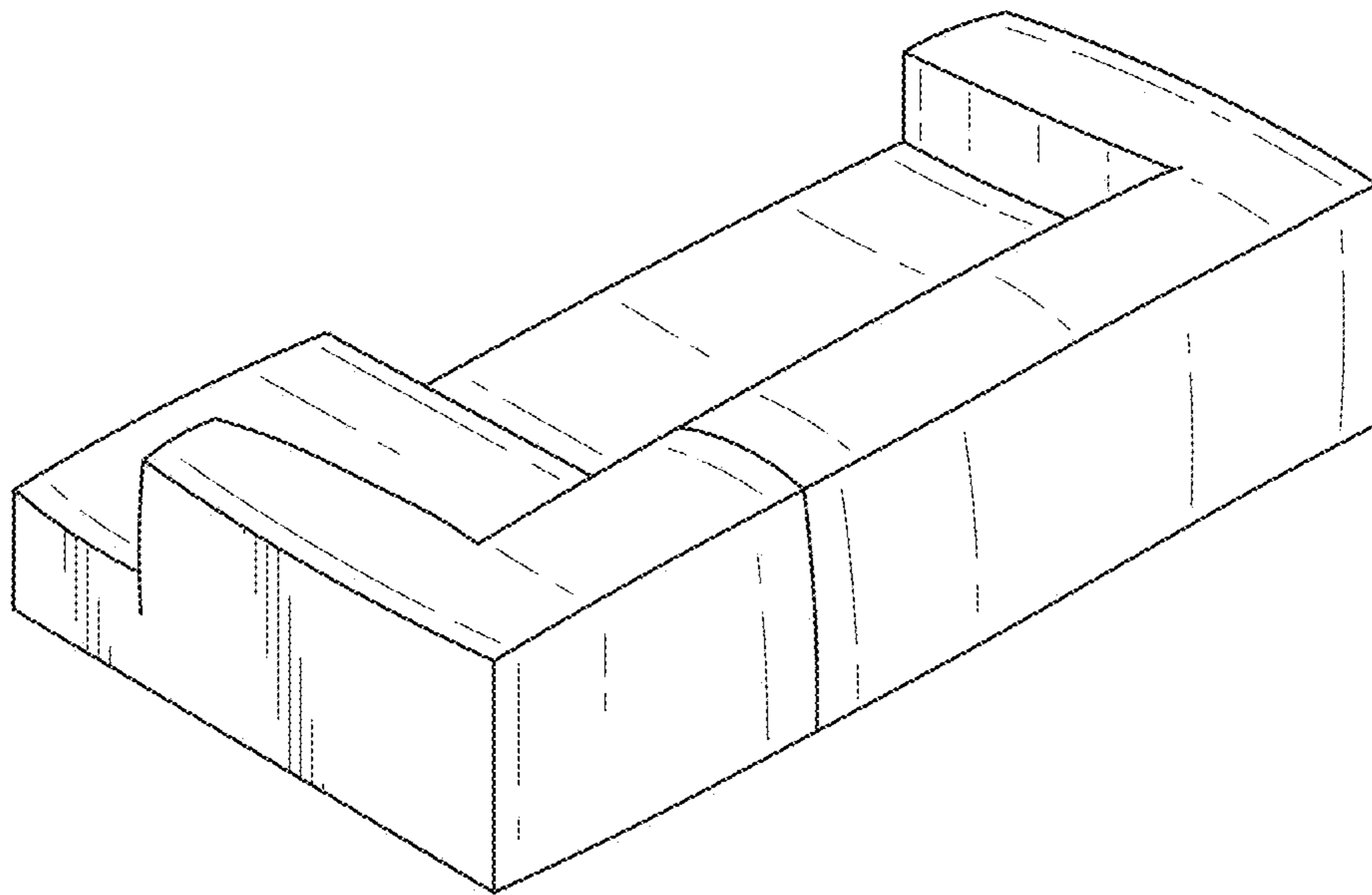


FIG. 5