



US00D948231S

(12) **United States Design Patent**
Ranco

(10) **Patent No.:** **US D948,231 S**

(45) **Date of Patent:** **** Apr. 12, 2022**

(54) **CHAIR**

(71) Applicant: **PLAST-MECCANICA SOCIETA' PER AZIONI**, Castelbellino (IT)

(72) Inventor: **Giuseppe Sandro Ranco**, Maiolati Spontini (IT)

(**) Term: **15 Years**

(21) Appl. No.: **29/754,156**

(22) Filed: **Oct. 7, 2020**

(51) **LOC (13) Cl.** **06-01**

(52) **U.S. Cl.**
USPC **D6/374**

(58) **Field of Classification Search**
USPC D6/369, 370, 374, 376, 379, 380;
D21/521
CPC A47C 3/021; A47C 31/11; A47C 4/00;
A47K 13/00; B60N 2/14
See application file for complete search history.

(56) **References Cited**

U.S. PATENT DOCUMENTS

D236,862 S *	9/1975	Grosfillex	D6/380
D396,563 S *	8/1998	Meijer	D6/334
D585,208 S *	1/2009	Stiker Metral	D6/380
D607,661 S *	1/2010	Chadwick	D6/380
D647,320 S *	10/2011	Young	D6/380

D669,700 S *	10/2012	Buratti	D6/374
D739,155 S *	9/2015	Gretz	D6/370
D741,618 S *	10/2015	Haase	D6/380
D815,450 S *	4/2018	Novak	D6/374
D821,771 S *	7/2018	Ciani	D6/375
D894,627 S *	9/2020	Hughes	D6/374

* cited by examiner

Primary Examiner — Kevin K Rudzinski

Assistant Examiner — Paul D Bohannon

(74) *Attorney, Agent, or Firm* — Egbert, McDaniel & Swartz, PLLC

(57) **CLAIM**

The ornamental design for a chair, as shown and described.

DESCRIPTION

FIG. 1 is a perspective view of a chair showing my new design.

FIG. 2 is a front view thereof;

FIG. 3 is a rear view thereof;

FIG. 4 is a side view thereof;

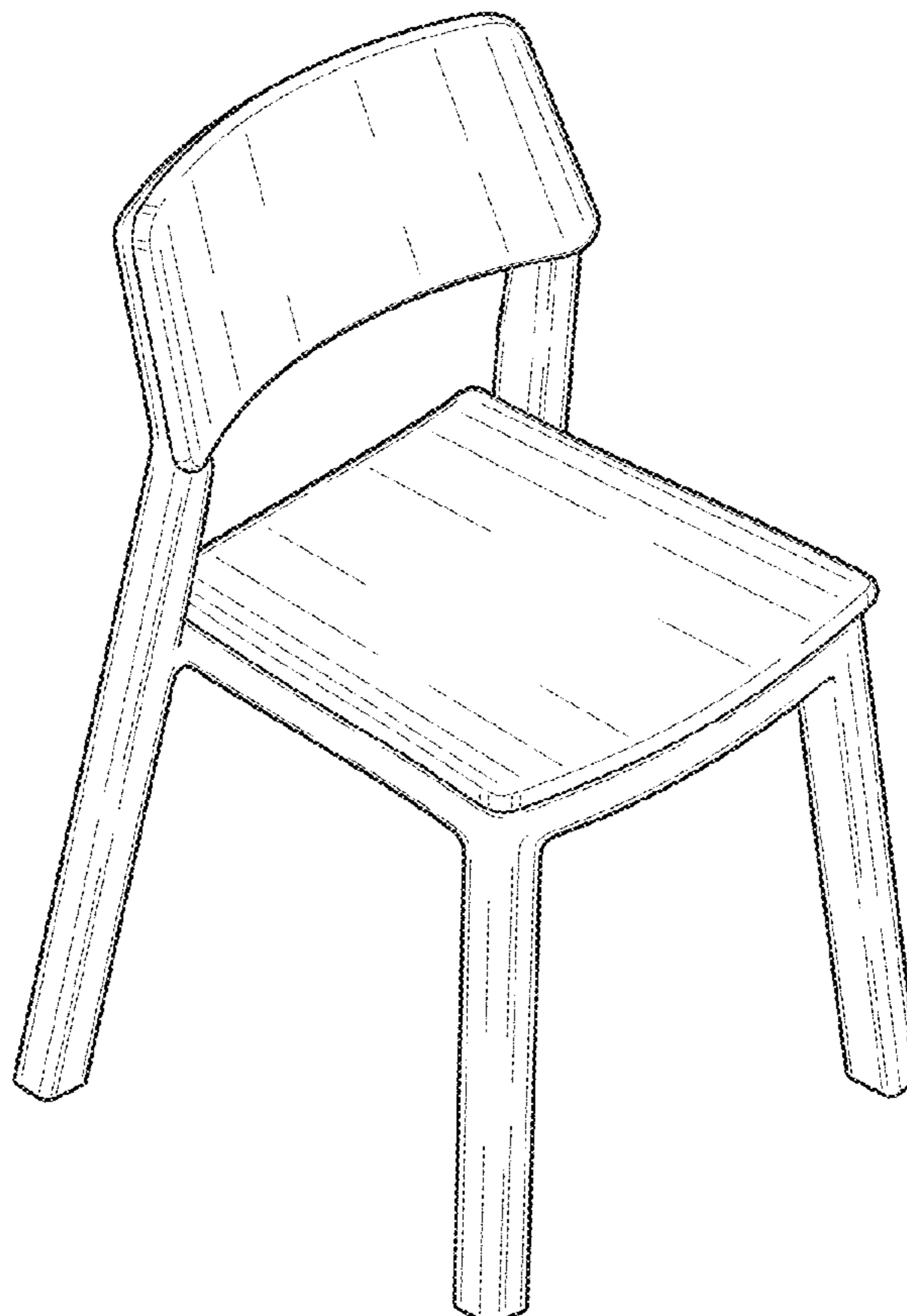
FIG. 5 is an opposite side view thereof;

FIG. 6 is a top view thereof; and,

FIG. 7 is a bottom view thereof.

The features presented in broken lines illustrate portions of the chair that form no part of the claimed design.

1 Claim, 2 Drawing Sheets



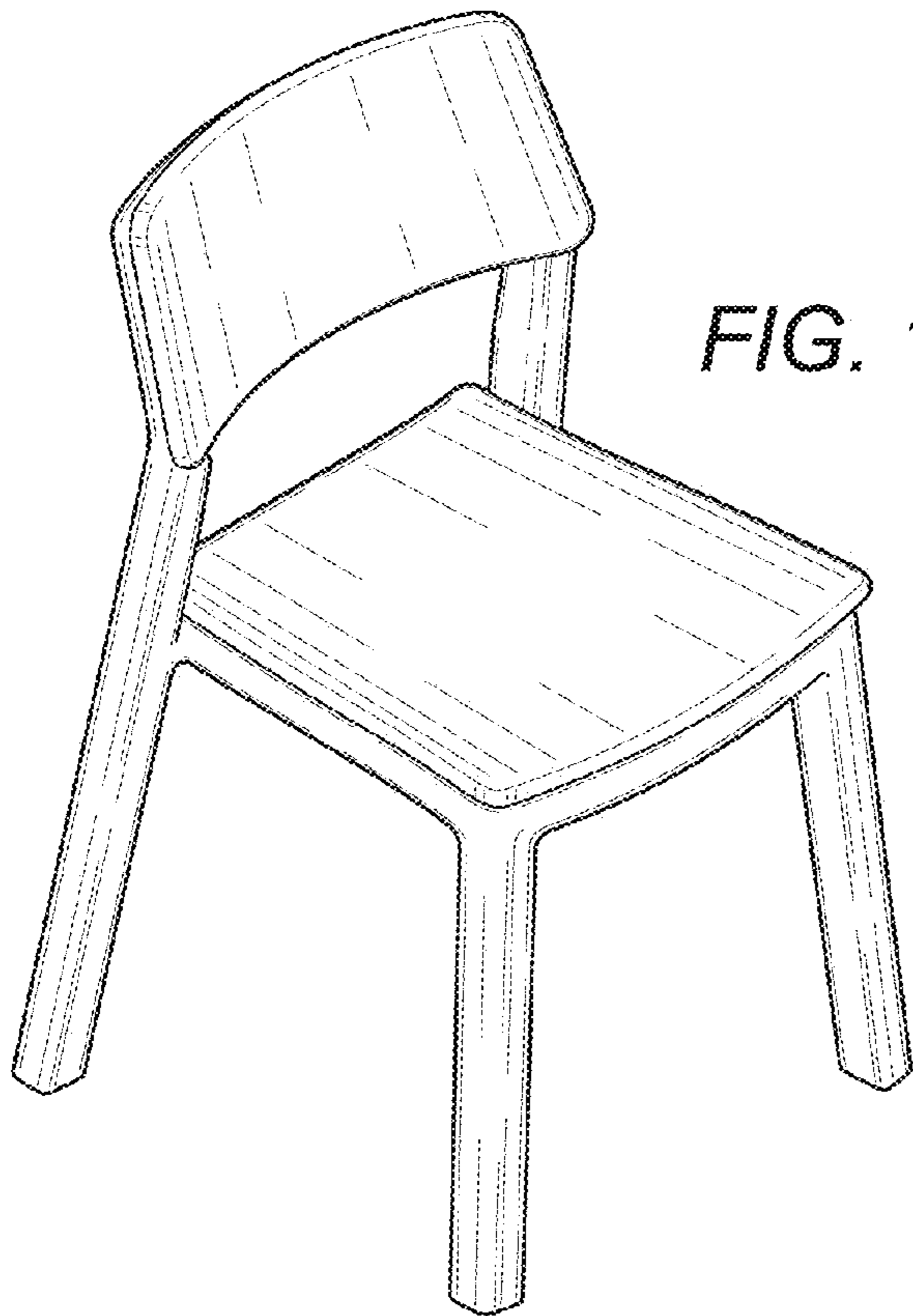


FIG. 1

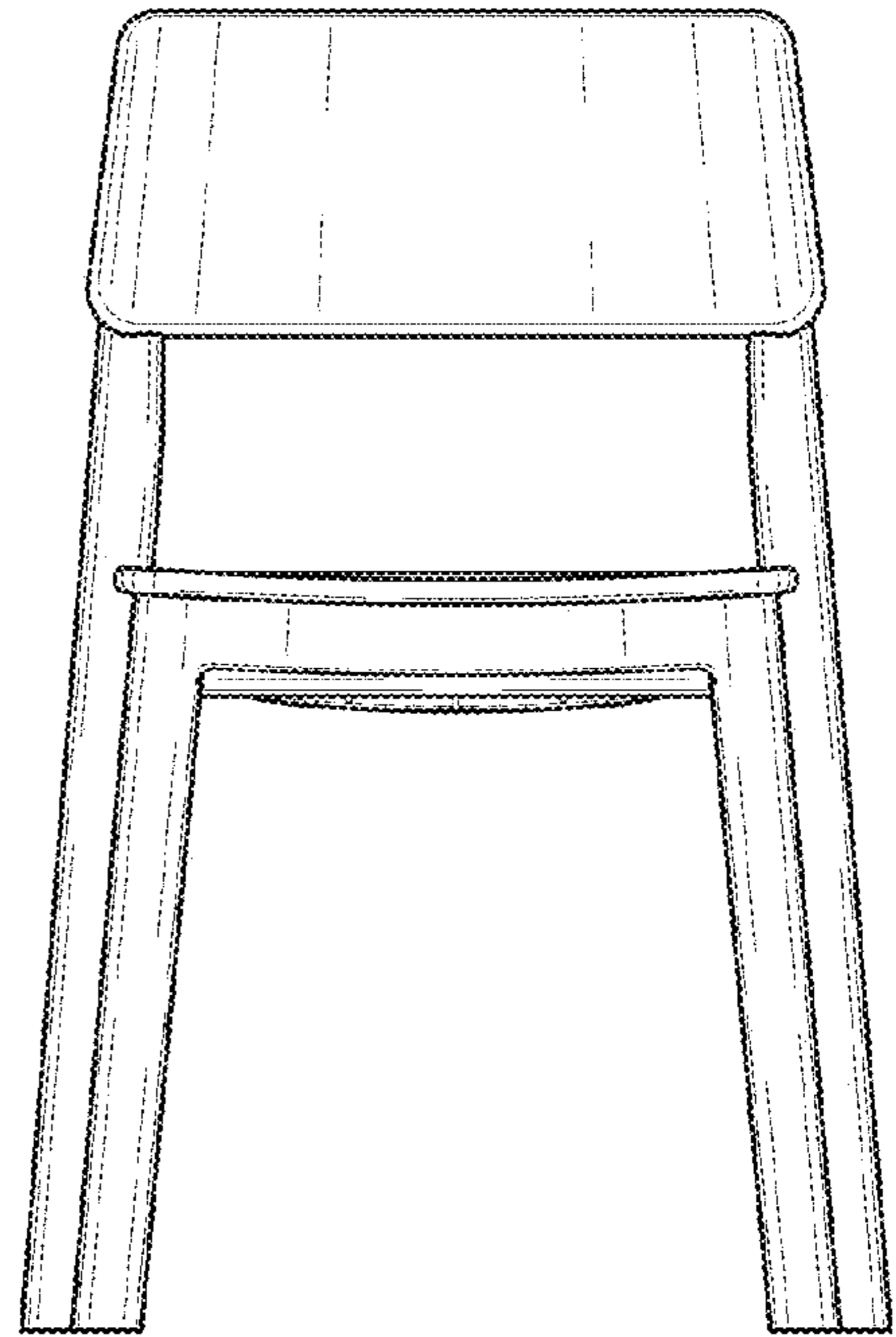


FIG. 2

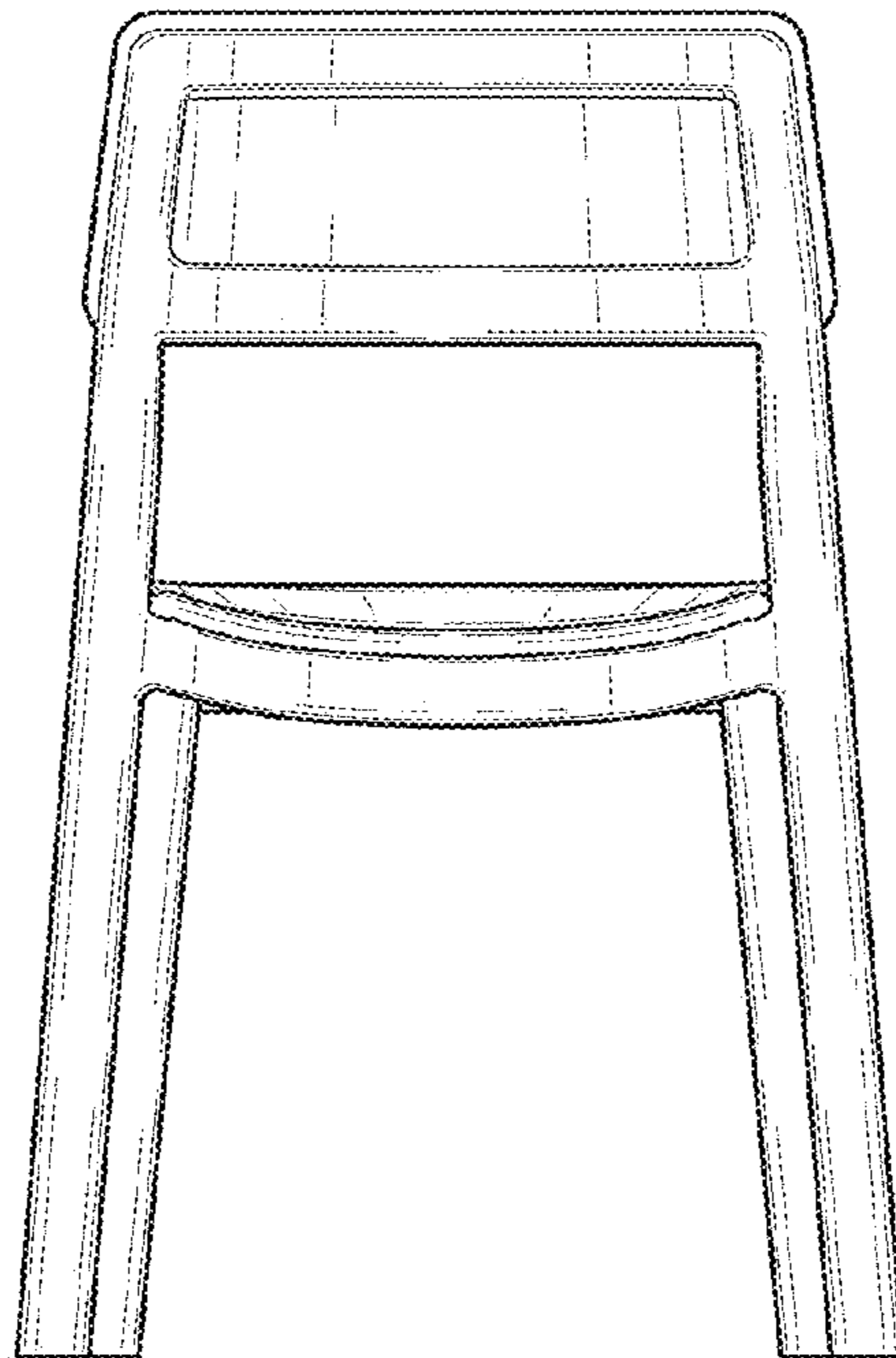


FIG. 3

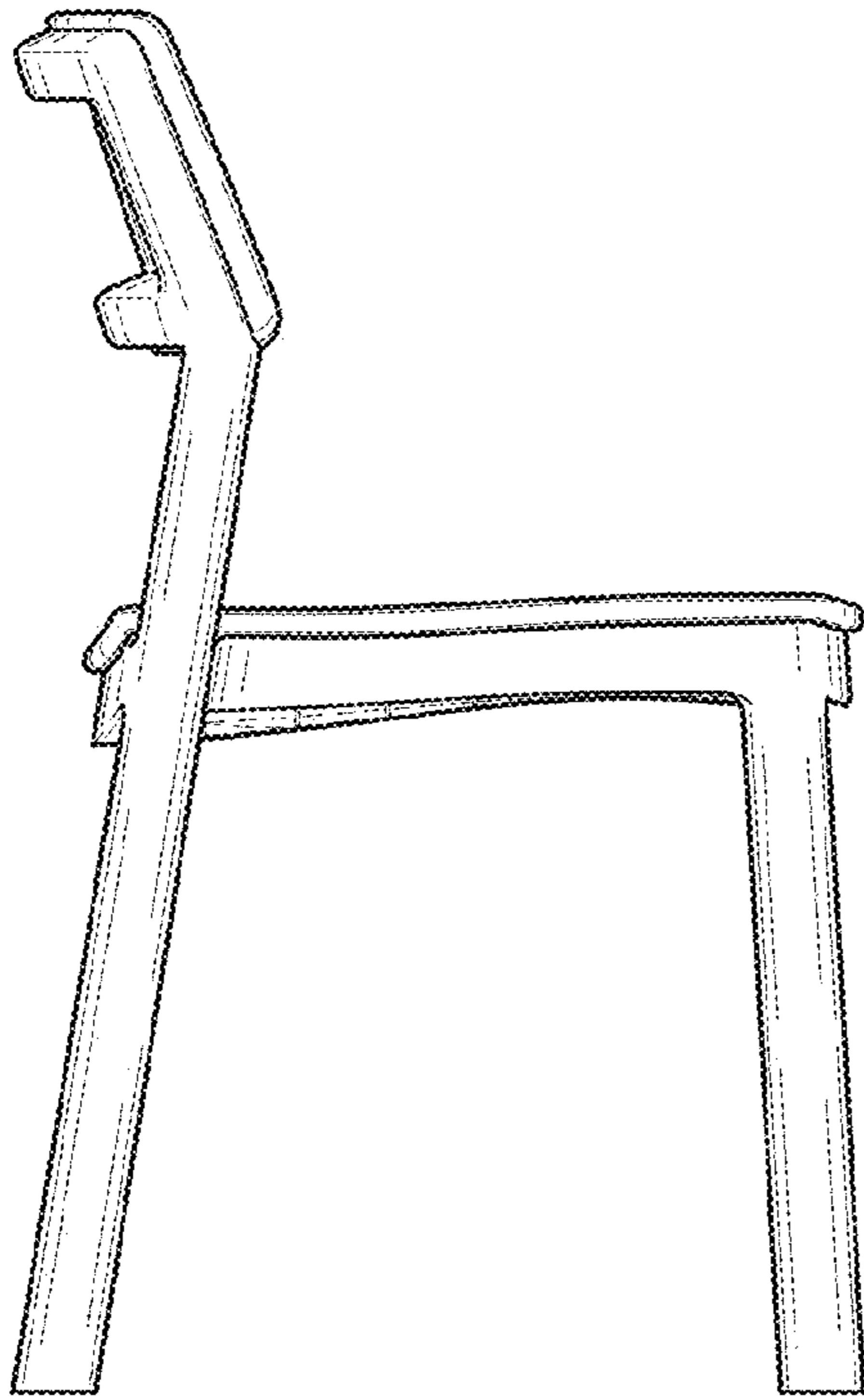


FIG. 4

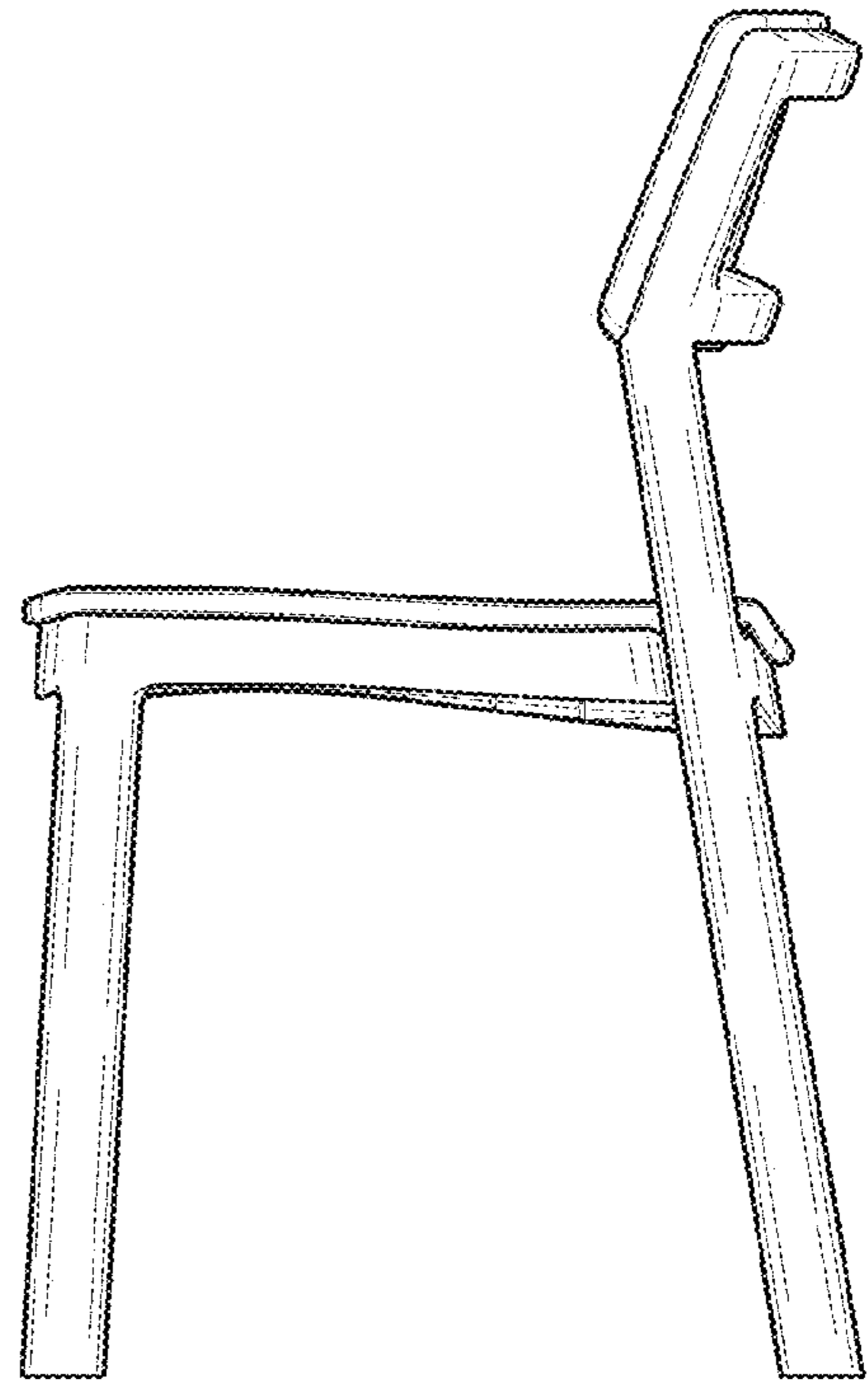


FIG. 5

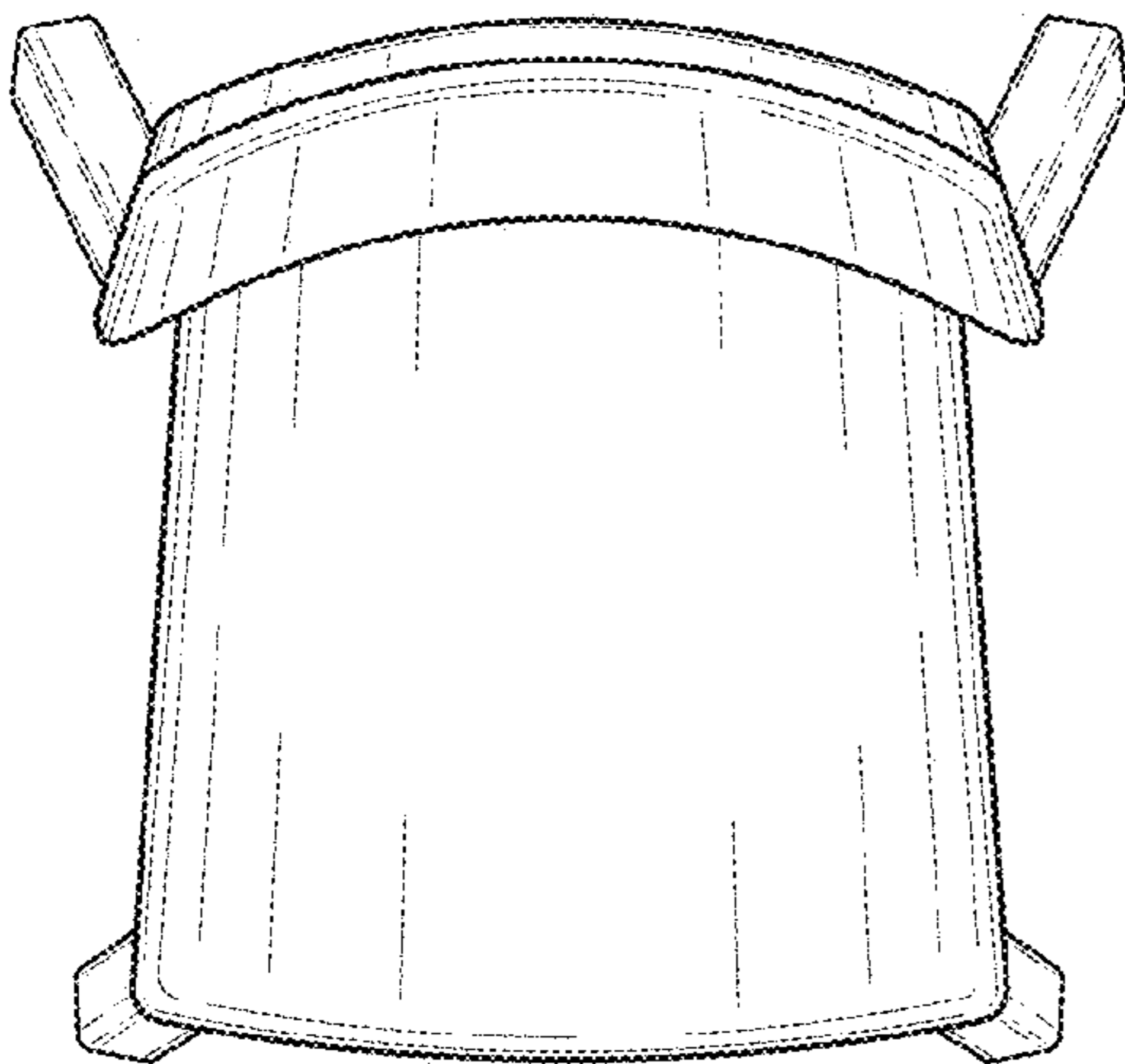


FIG. 6

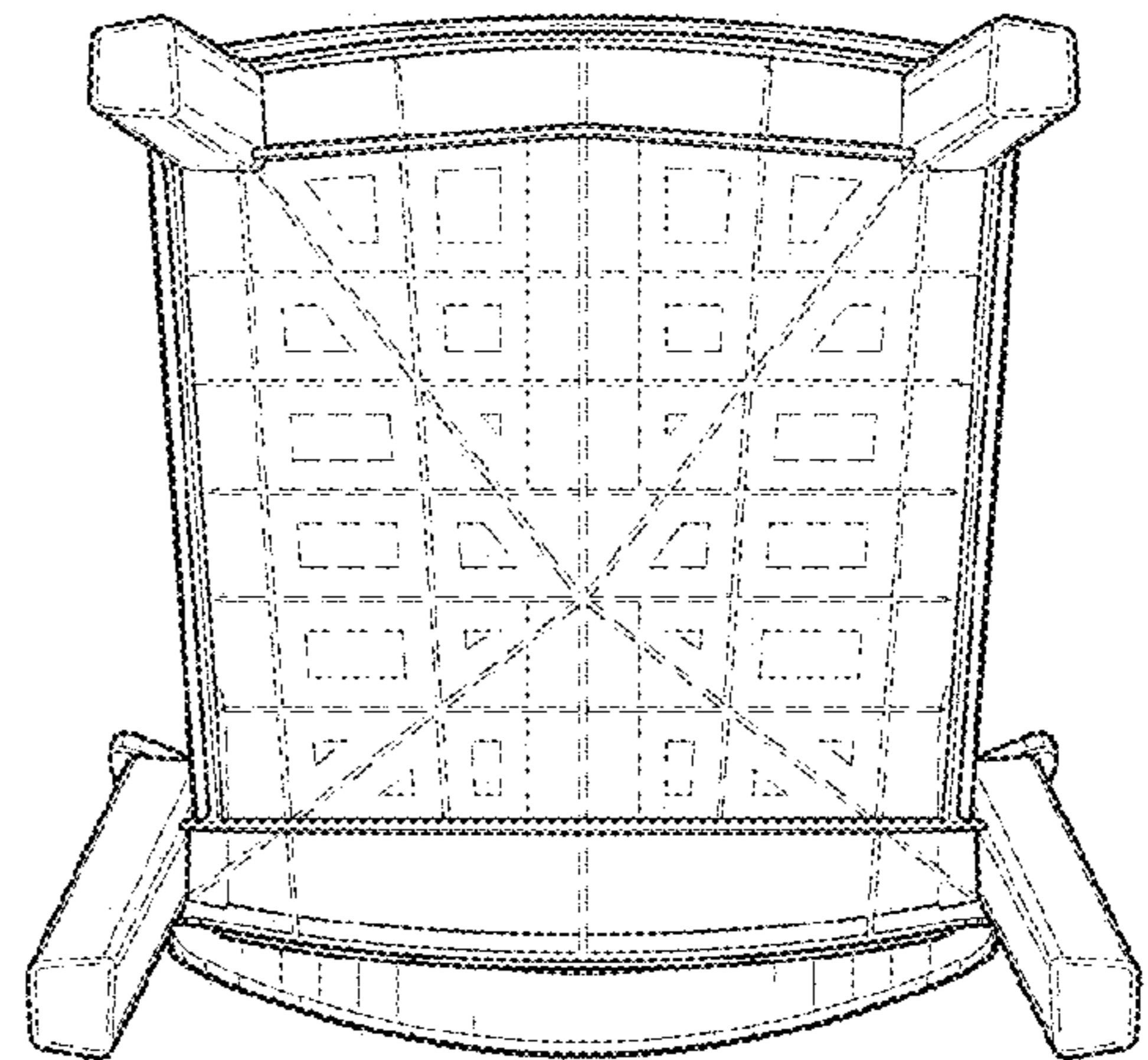


FIG. 7