



US00D948229S

(12) **United States Design Patent** (10) **Patent No.:** **US D948,229 S**  
**Truong et al.** (45) **Date of Patent:** **\*\* Apr. 12, 2022**

(54) **FOLDABLE LAWN CHAIR WITH CANOPY**

(71) Applicants: **Patrick Truong**, Lansvale (AU); **Aaron Sundara**, Cartwright (AU)

(72) Inventors: **Patrick Truong**, Lansvale (AU); **Aaron Sundara**, Cartwright (AU)

(\*\*) Term: **15 Years**

(21) Appl. No.: **29/758,695**

(22) Filed: **Nov. 18, 2020**

(51) **LOC (13) Cl.** ..... **06-01**

(52) **U.S. Cl.**  
 USPC ..... **D6/368**

(58) **Field of Classification Search**  
 USPC ..... D6/335, 367, 368, 716, 716.4; D21/521  
 CPC .... A47B 5/00; A47C 1/02; A47C 1/14; A47C 1/03244; A47C 1/032; A47C 3/18; A47C 4/20; A47C 4/28; A47C 4/30; A47C 4/42; A47C 4/46; A47C 4/54; A47C 4/286; A47C 7/06; A47C 7/24; A47C 7/66; A47C 7/68; A47C 7/62; A47C 7/624; A47C 7/622; A47C 7/407; A47C 7/425; A47C 9/06; A47C 9/00; A47C 9/10; A47C 9/105; A47C 11/00; A47C 11/005; A47C 15/00; A47C 21/00; A47C 31/00; A01M 31/00; A01M 31/02; A01M 31/025; A45F 3/22; A45F 3/24; A47G 9/06; A61G 7/10; A63B 63/00; B60N 2/04; B25H 1/14; B25H 1/12; B25H 1/04; E04H 15/30; F16M 11/22; F42B 12/38; F41A 23/14; F41A 23/16; F41A 23/18; F41C 27/00; Y10S 135/901

See application file for complete search history.

(56) **References Cited**

U.S. PATENT DOCUMENTS

D612,624	S	*	3/2010	Lovley	.....	D6/368
D911,057	S	*	2/2021	Jacobsen	.....	D6/368
D922,790	S	*	6/2021	Wang	.....	D6/368
11,028,613	B2	*	6/2021	Harrison	.....	E04H 15/06
2014/0252817	A1	*	9/2014	Lovley, II	.....	A47C 7/66 297/184.15
2019/0090667	A1	*	3/2019	Mason	.....	A47C 7/622
2021/0112987	A1	*	4/2021	Winterhalter	.....	A47C 4/30
2021/0145179	A1	*	5/2021	Kong	.....	A47C 7/624
2021/0153657	A1	*	5/2021	Cook	.....	A47C 7/002
2021/0204680	A1	*	7/2021	Forgrave	.....	A45F 3/14
2021/0321781	A1	*	10/2021	Silinski	.....	A47C 4/286

\* cited by examiner

*Primary Examiner* — Kevin K Rudzinski  
*Assistant Examiner* — Paul D Bohannon

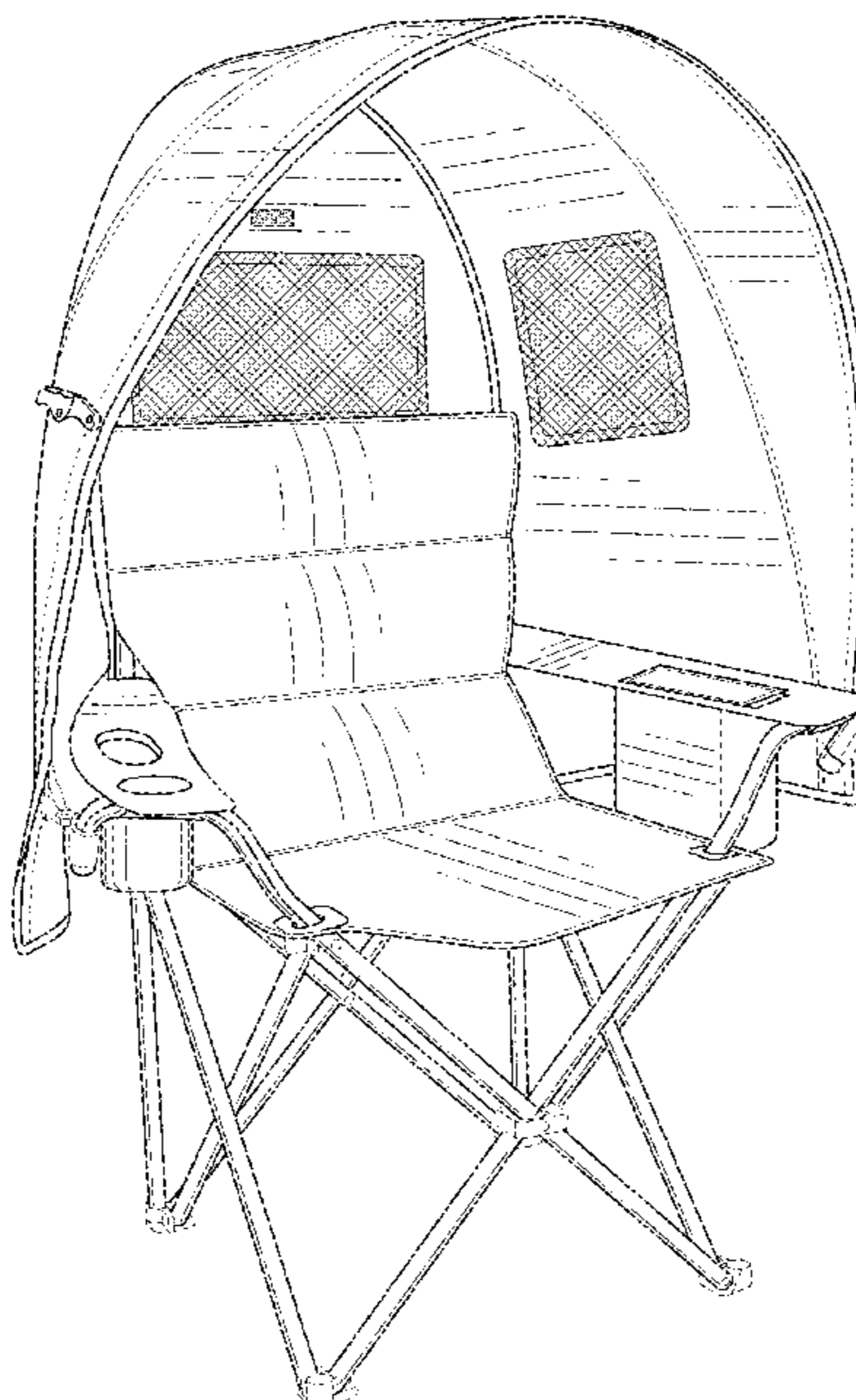
(57) **CLAIM**

The ornamental design for a foldable lawn chair with canopy, as shown and described.

**DESCRIPTION**

FIG. 1 is a front perspective view of a foldable lawn chair with canopy, wherein the canopy is shown in an unfolded state;  
 FIG. 2 is a front view thereof;  
 FIG. 3 is a rear view thereof;  
 FIG. 4 is a left side view thereof;  
 FIG. 5 is a right side view thereof;  
 FIG. 6 is a top view thereof;  
 FIG. 7 is a bottom view thereof; and,  
 FIG. 8 is a front perspective view of the foldable lawn chair with canopy, wherein the canopy is shown in a folded state. The broken lines shown in the drawings are for the purpose of illustrating portions of the article and form no part of the claimed design.

**1 Claim, 8 Drawing Sheets**



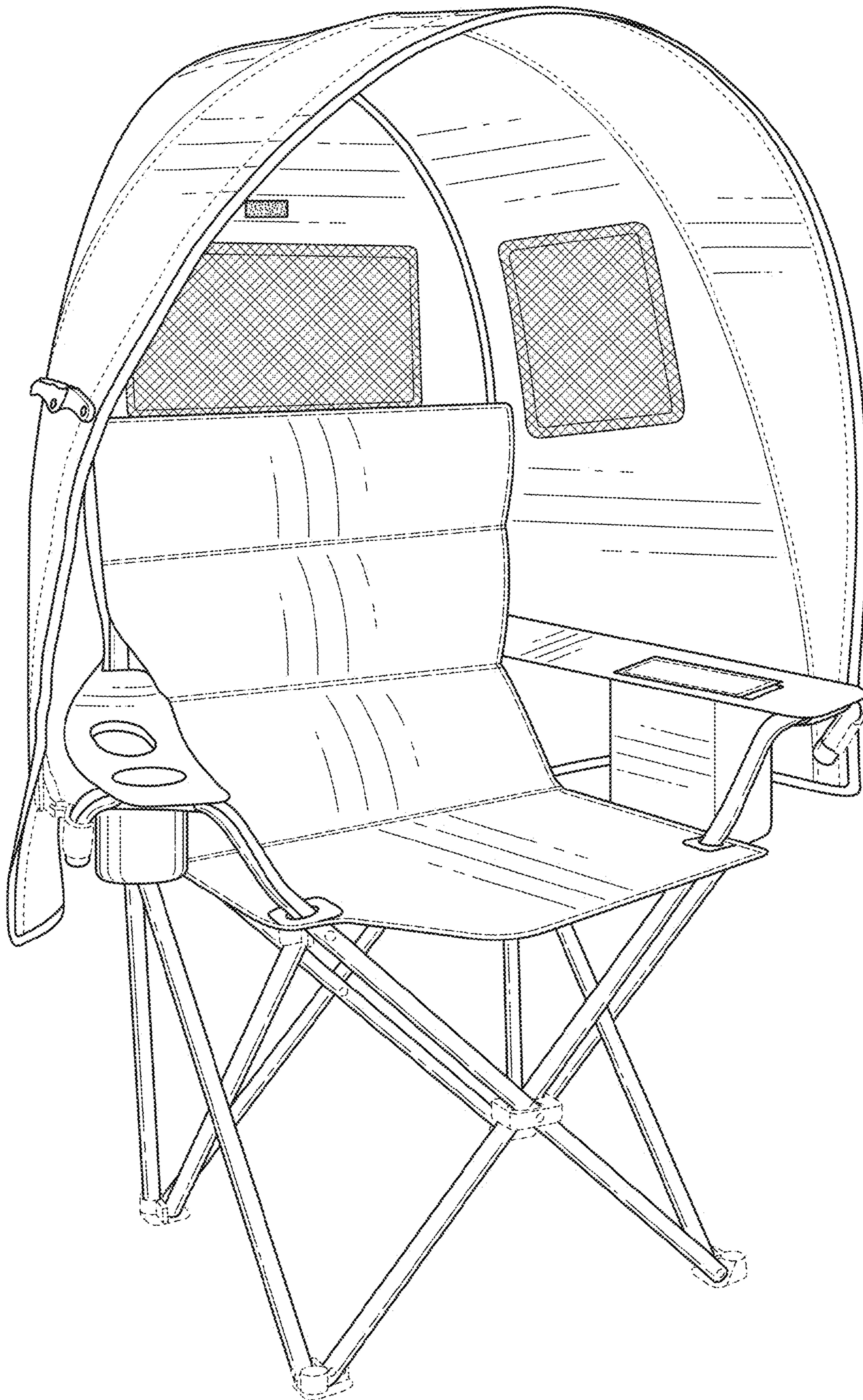


FIG. 1

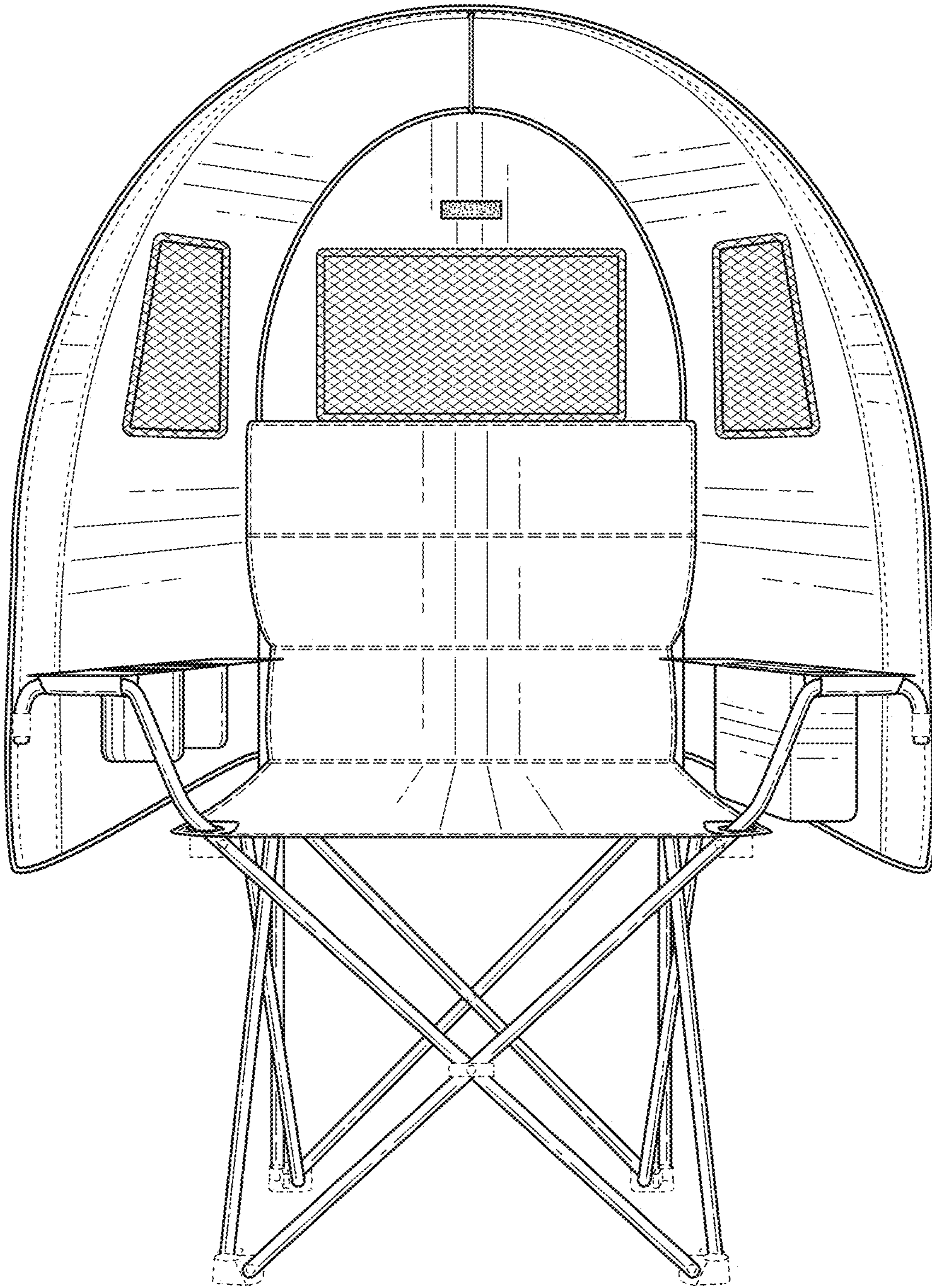


FIG. 2

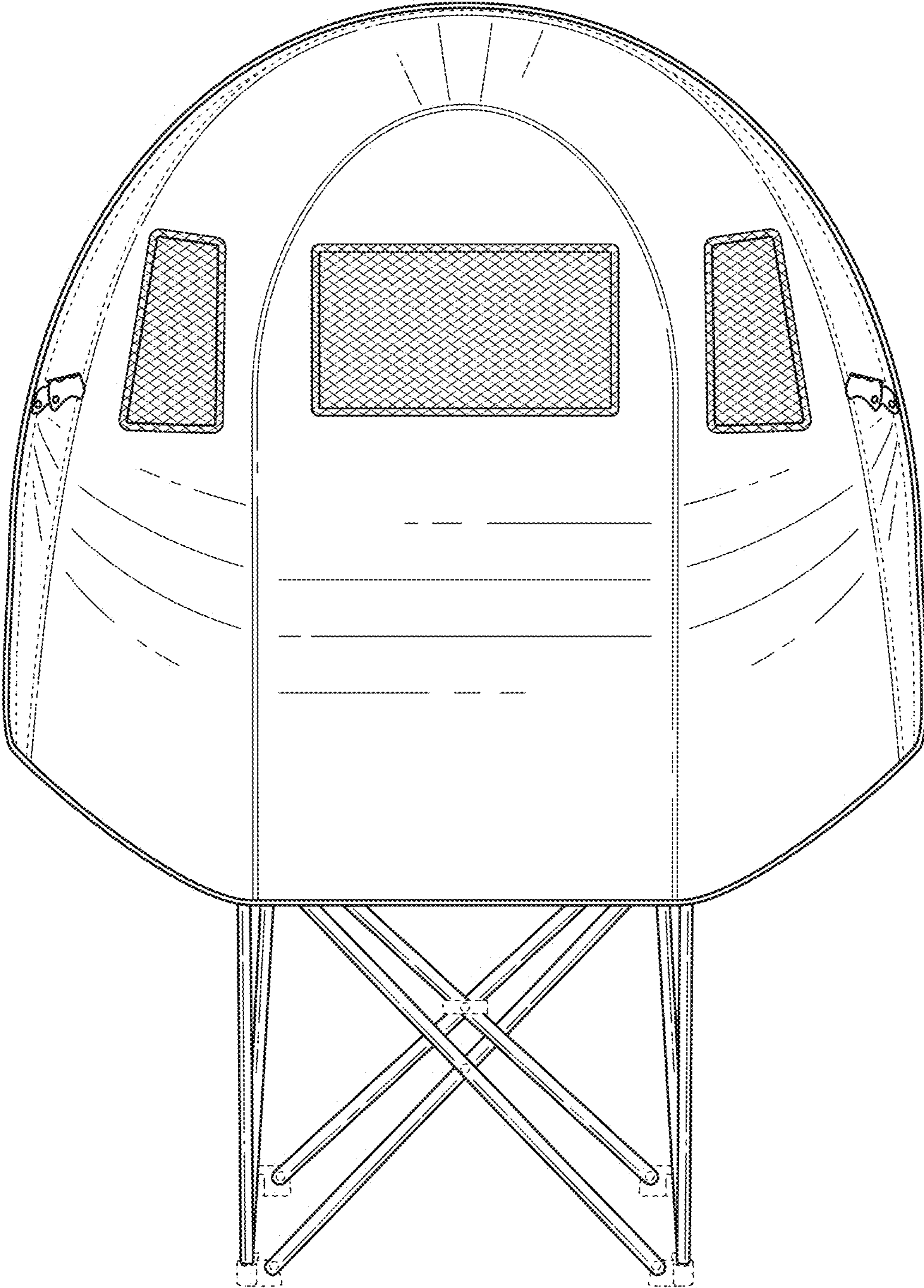


FIG. 3

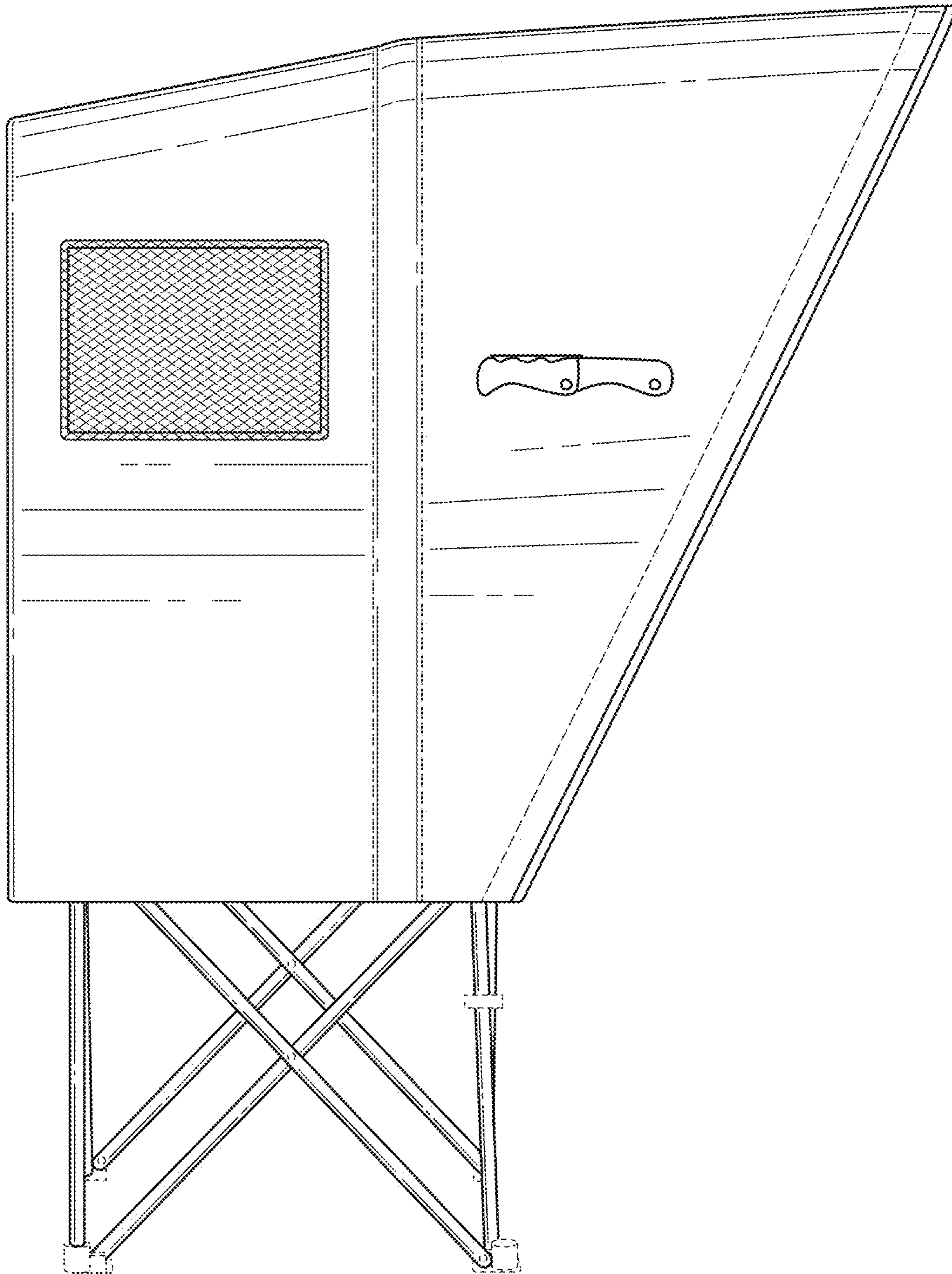


FIG. 4

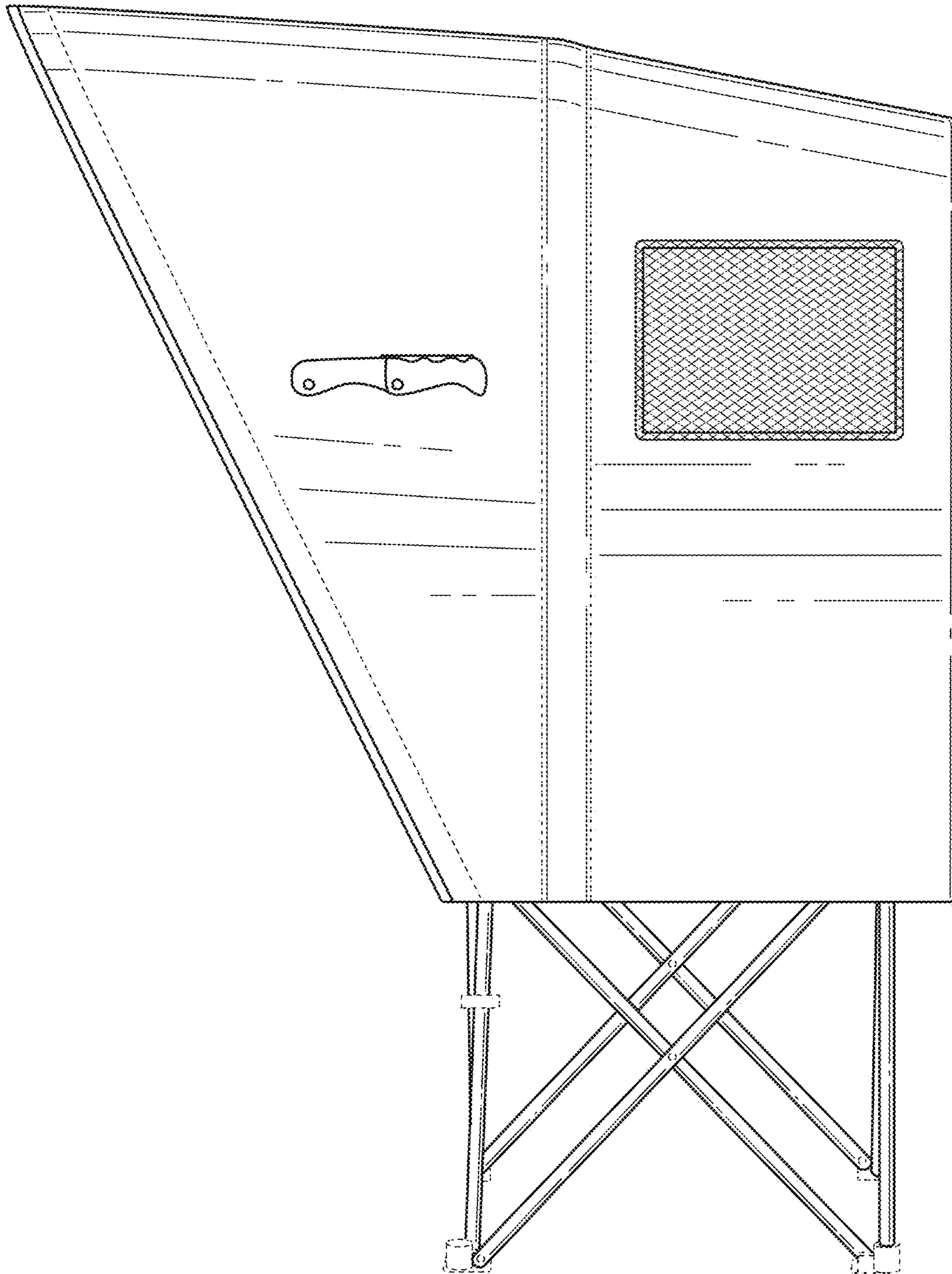


FIG. 5

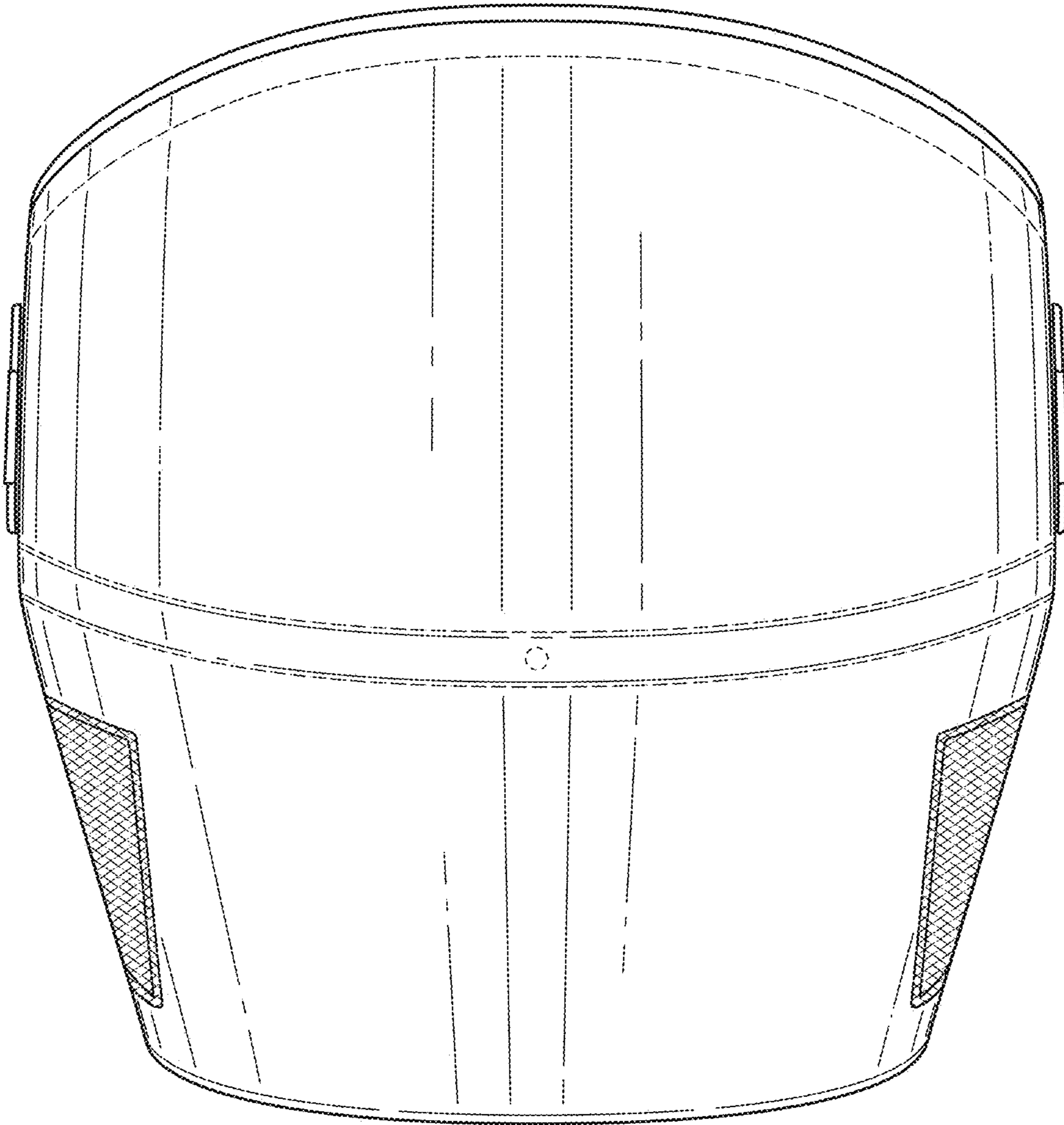


FIG. 6

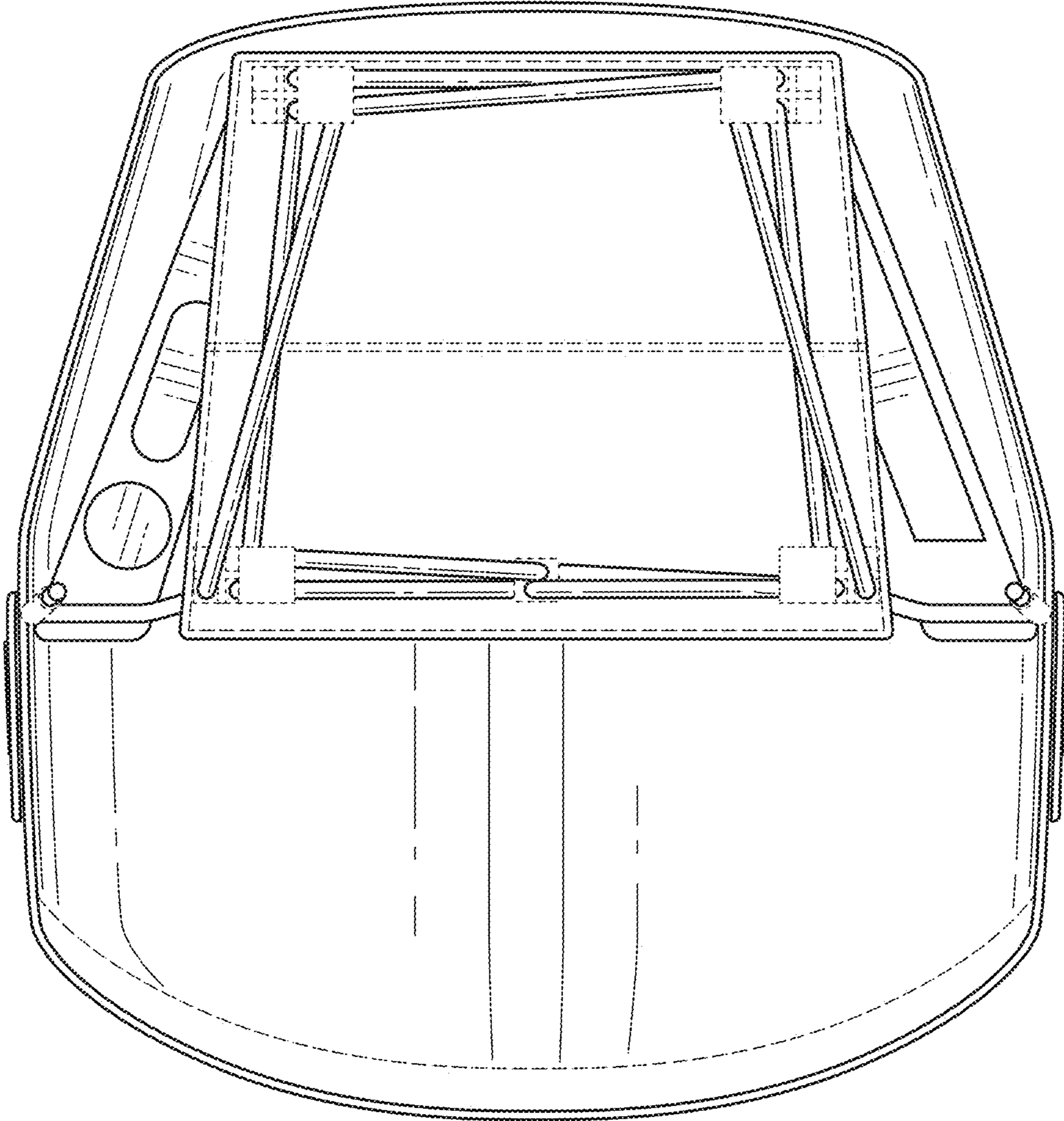


FIG. 7



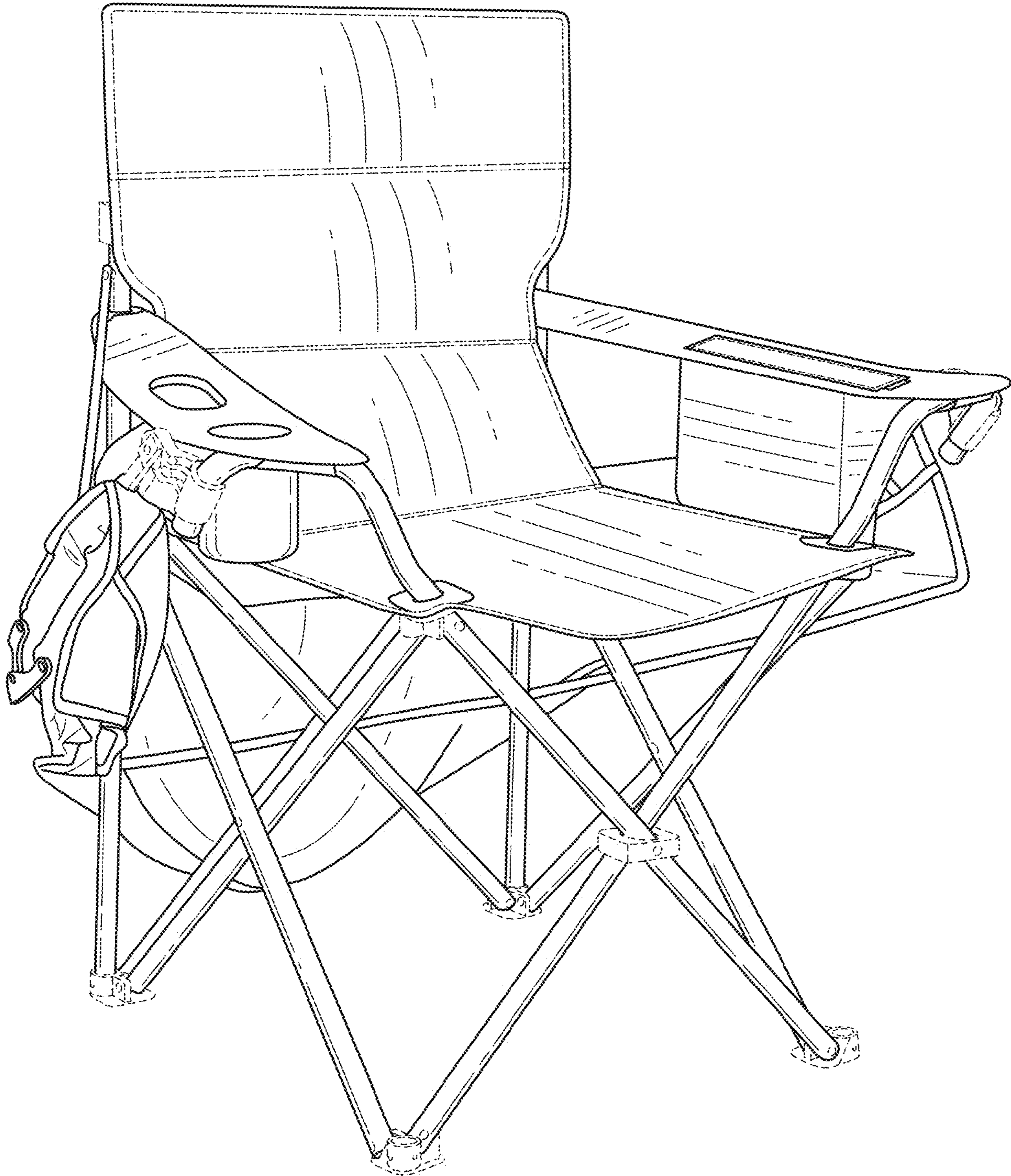


FIG. 8