



US00D948227S

(12) **United States Design Patent**
Bellissimo

(10) **Patent No.:** **US D948,227 S**

(45) **Date of Patent:** **** Apr. 12, 2022**

- (54) **RISER MOUNTED ROW SEAT**
- (71) Applicant: **4Topps LLC**, Winston-Salem, NC (US)
- (72) Inventor: **Joseph Bellissimo**, Winston-Salem, NC (US)
- (73) Assignee: **4Topps LLC**, Winston-Salem, NC (US)
- (**) Term: **15 Years**

D225,494	S	*	12/1972	Ahrens	D6/362
4,133,579	A	*	1/1979	Springfield	A47C 1/12
						297/452.65
7,950,739	B2	*	5/2011	King	A47C 1/121
						297/333
D808,676	S	*	1/2018	Bellissimo	D6/362
D845,017	S	*	4/2019	Zhou	D6/368
D876,852	S	*	3/2020	Bellissimo	D6/364
11,026,515	B2	*	6/2021	Olarte	A47C 1/126
2008/0217979	A1	*	9/2008	King	A47C 1/121
						297/338

(21) Appl. No.: **29/815,670**

(22) Filed: **Nov. 16, 2021**

Related U.S. Application Data

(62) Division of application No. 29/707,626, filed on Sep. 30, 2019.

(51) **LOC (13) Cl.** **06-01**

(52) **U.S. Cl.**
USPC **D6/362; D6/368**

(58) **Field of Classification Search**
USPC D6/334-336, 362, 364, 365, 368, 374,
D6/380, 716, 716.1, 716.2, 716.3, 716.4,
D6/717

CPC A47C 4/02; A47C 4/03; A47C 4/04; A47C
4/08; A47C 5/12; A47C 1/12; A47C
1/121; A47C 1/26; A47C 1/16

See application file for complete search history.

(56) **References Cited**

U.S. PATENT DOCUMENTS

D190,230	S	*	5/1961	Eppink	D6/362
D223,025	S	*	2/1972	Barecki et al.	D6/362

* cited by examiner

Primary Examiner — Mimoso De

(74) *Attorney, Agent, or Firm* — Kirk A. Wilson; Joseph T. Guy; Patent Filing Specialist Inc.

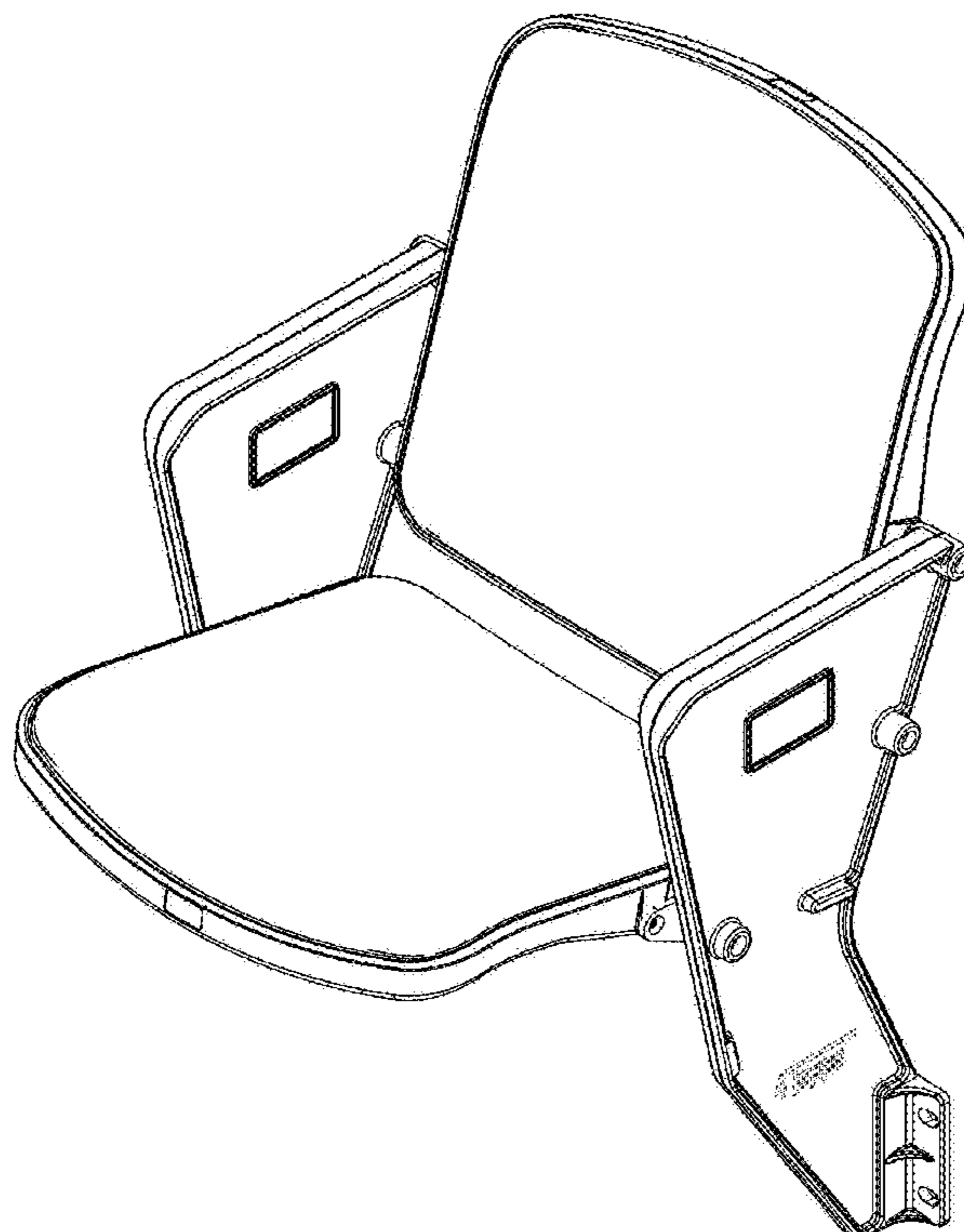
(57) **CLAIM**

The ornamental design for riser mounted row seat, as shown and described.

DESCRIPTION

FIG. 1 is a top front perspective view the present invention; FIG. 2 is a front view of the present invention; FIG. 3 is a back side view of the present invention; FIG. 4 is a left side view of the present invention; FIG. 5 is a right side view of the present invention; FIG. 6 is a top side view of the present invention; and, FIG. 7 is a bottom side view of the invention. The broken lines, where present, illustrate portions of the riser mounted row seat that form no part of the claimed invention.

1 Claim, 7 Drawing Sheets



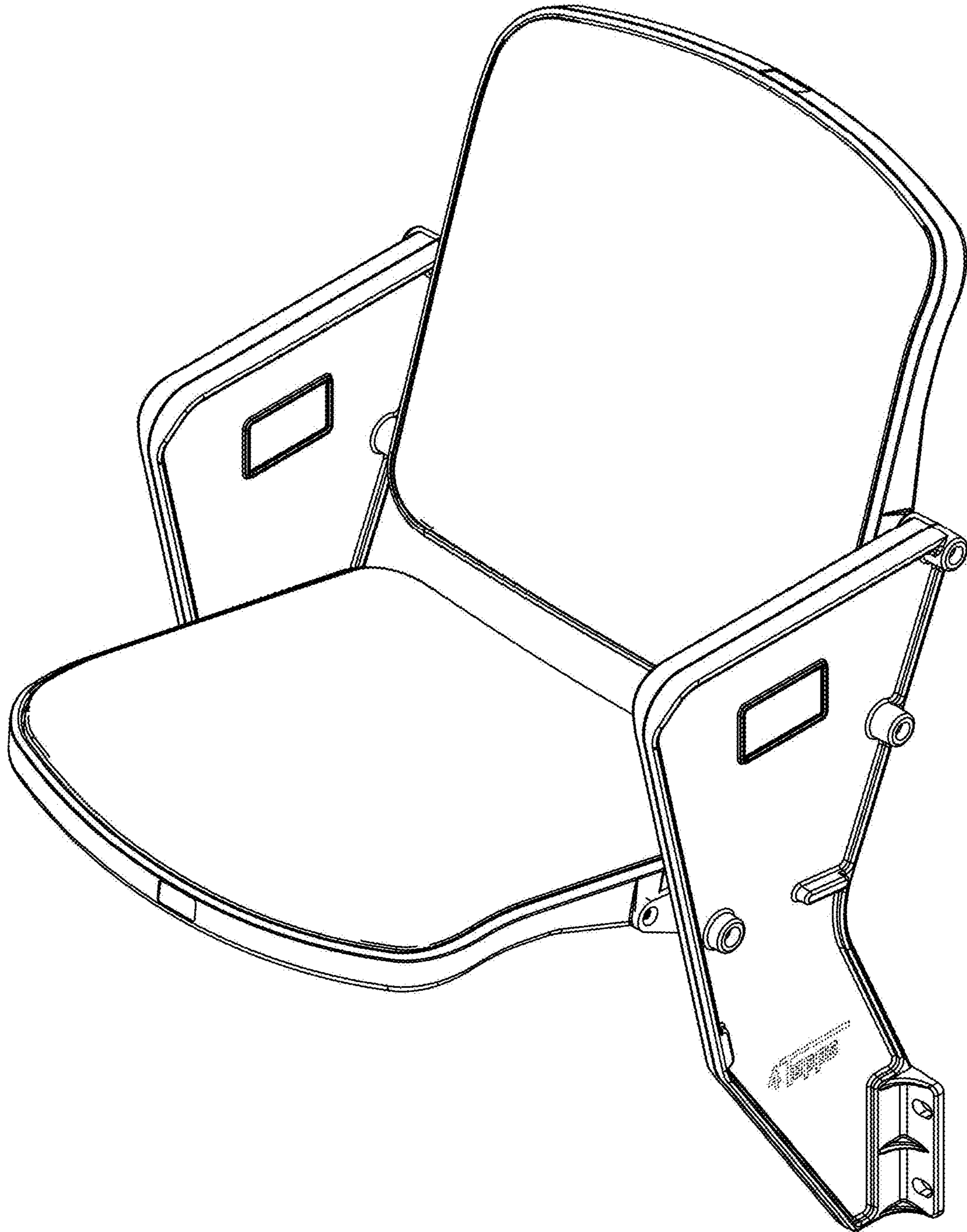


Fig. 1

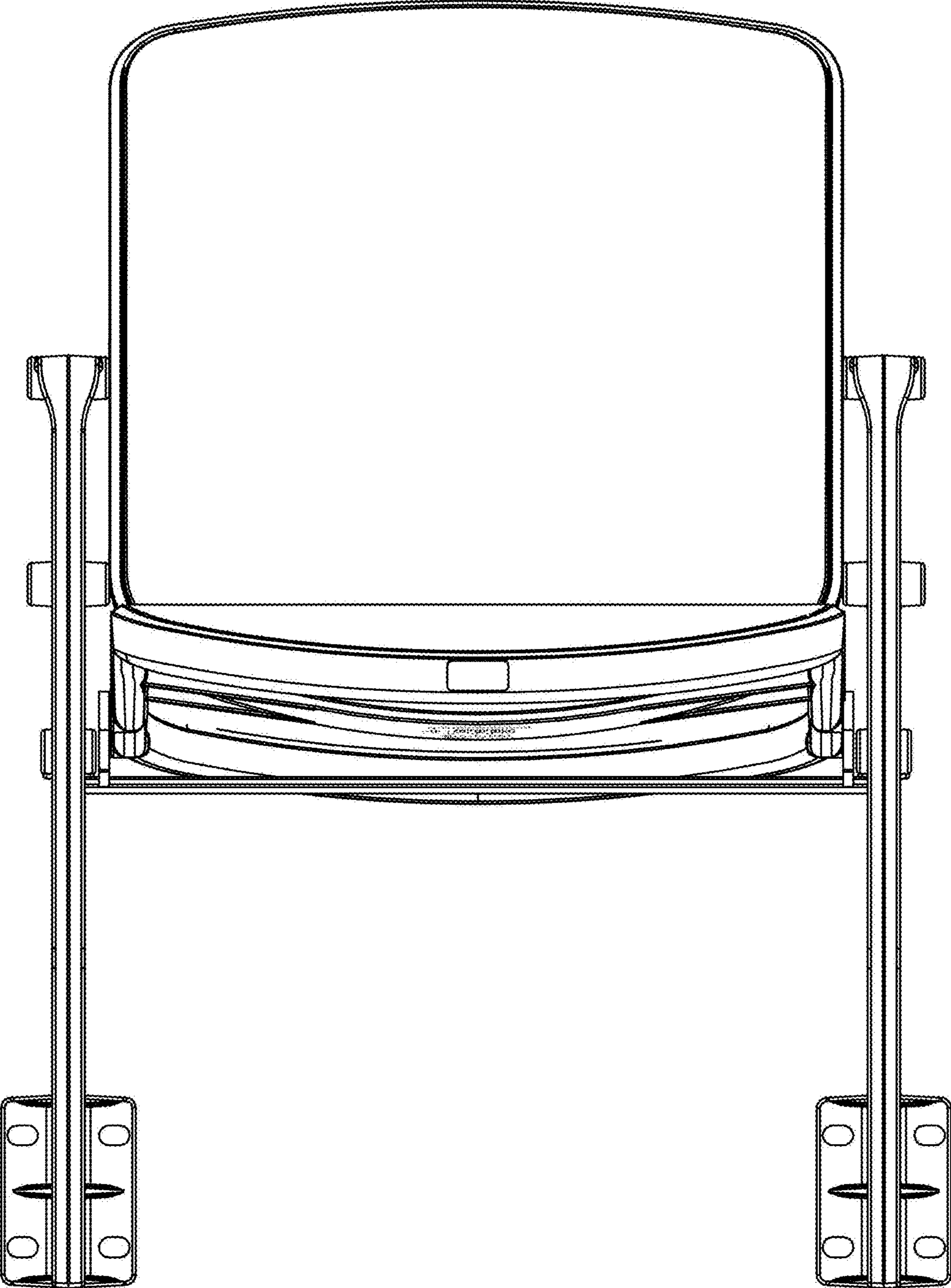


Fig.2

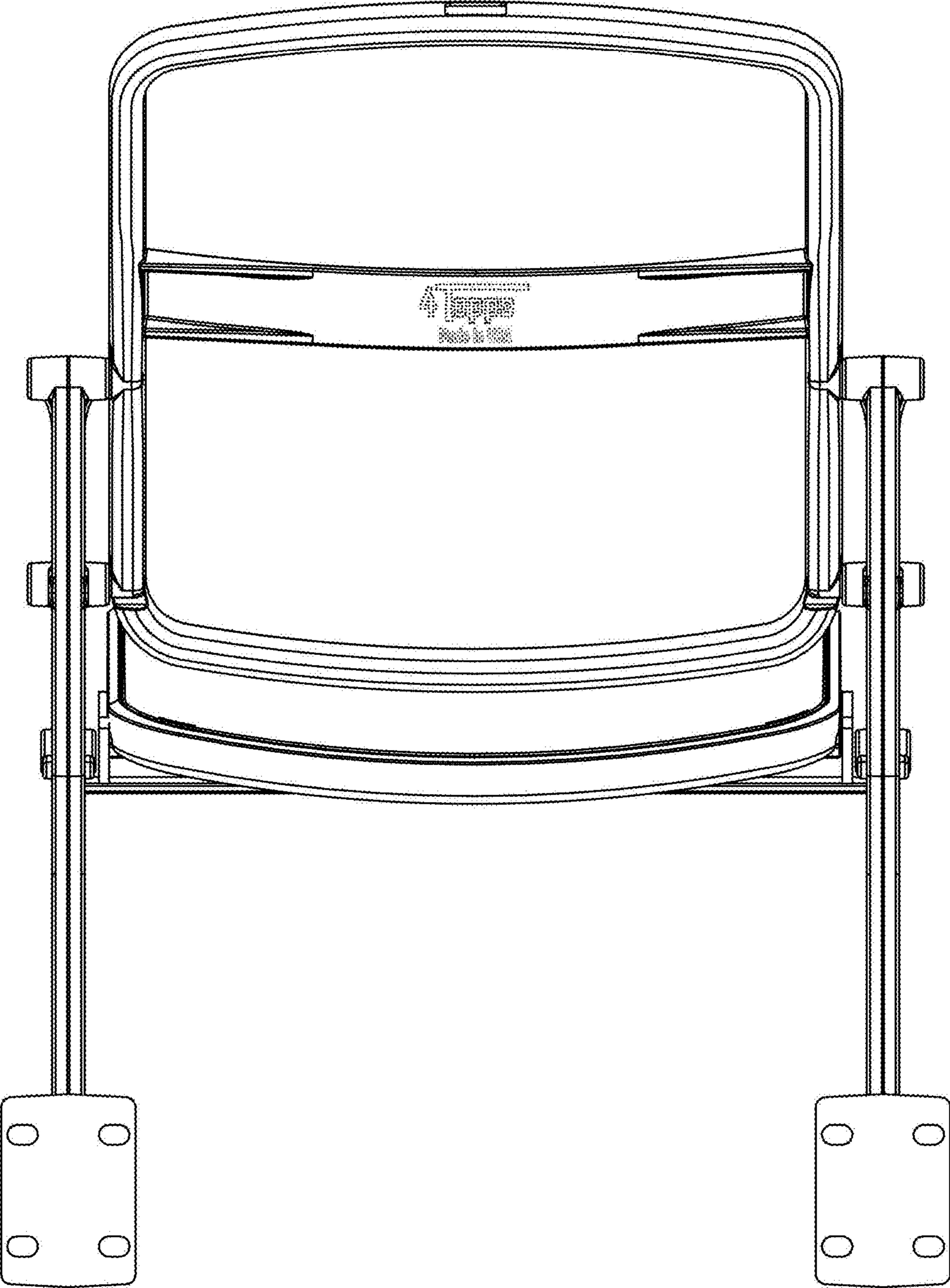


Fig. 3

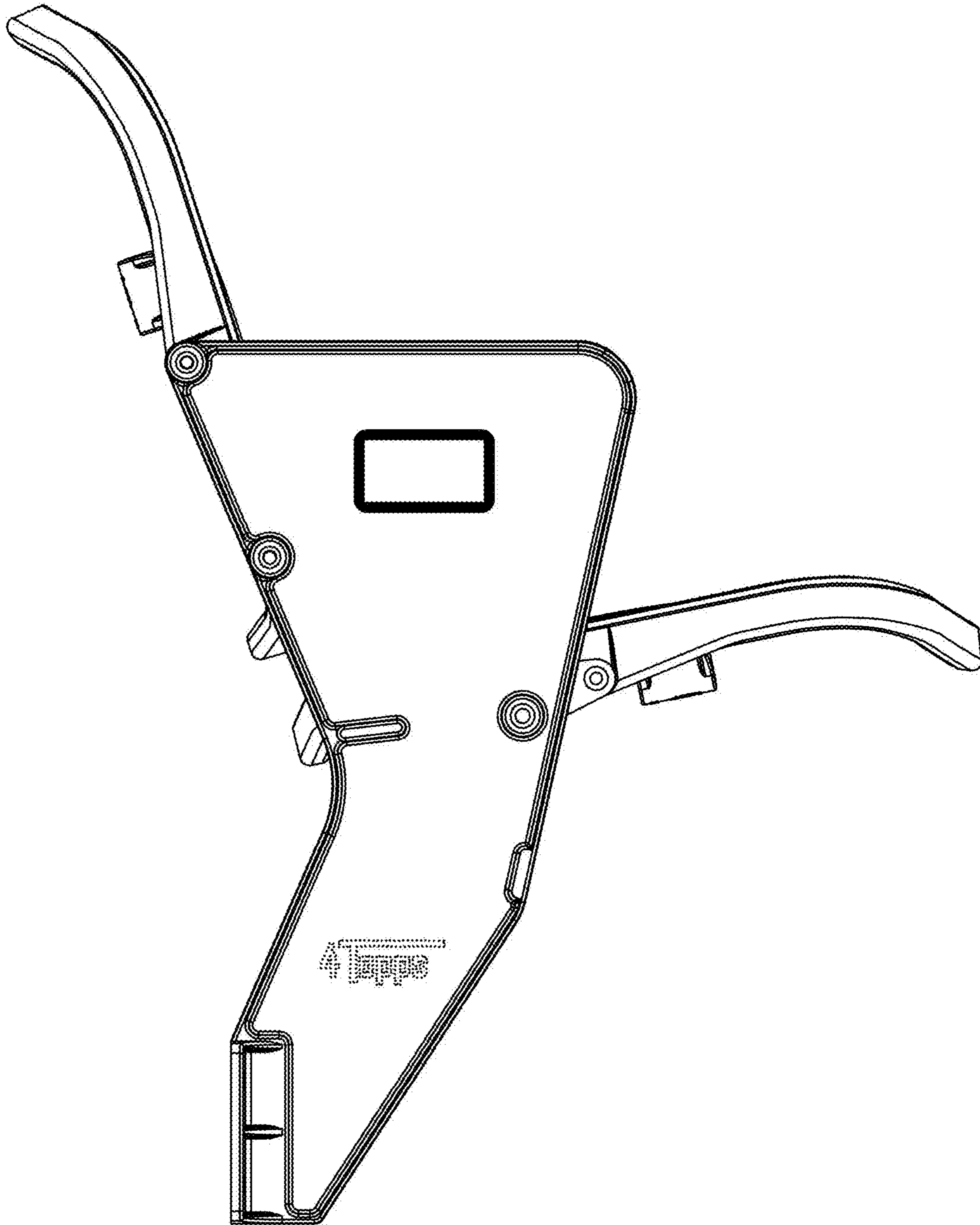


Fig. 4

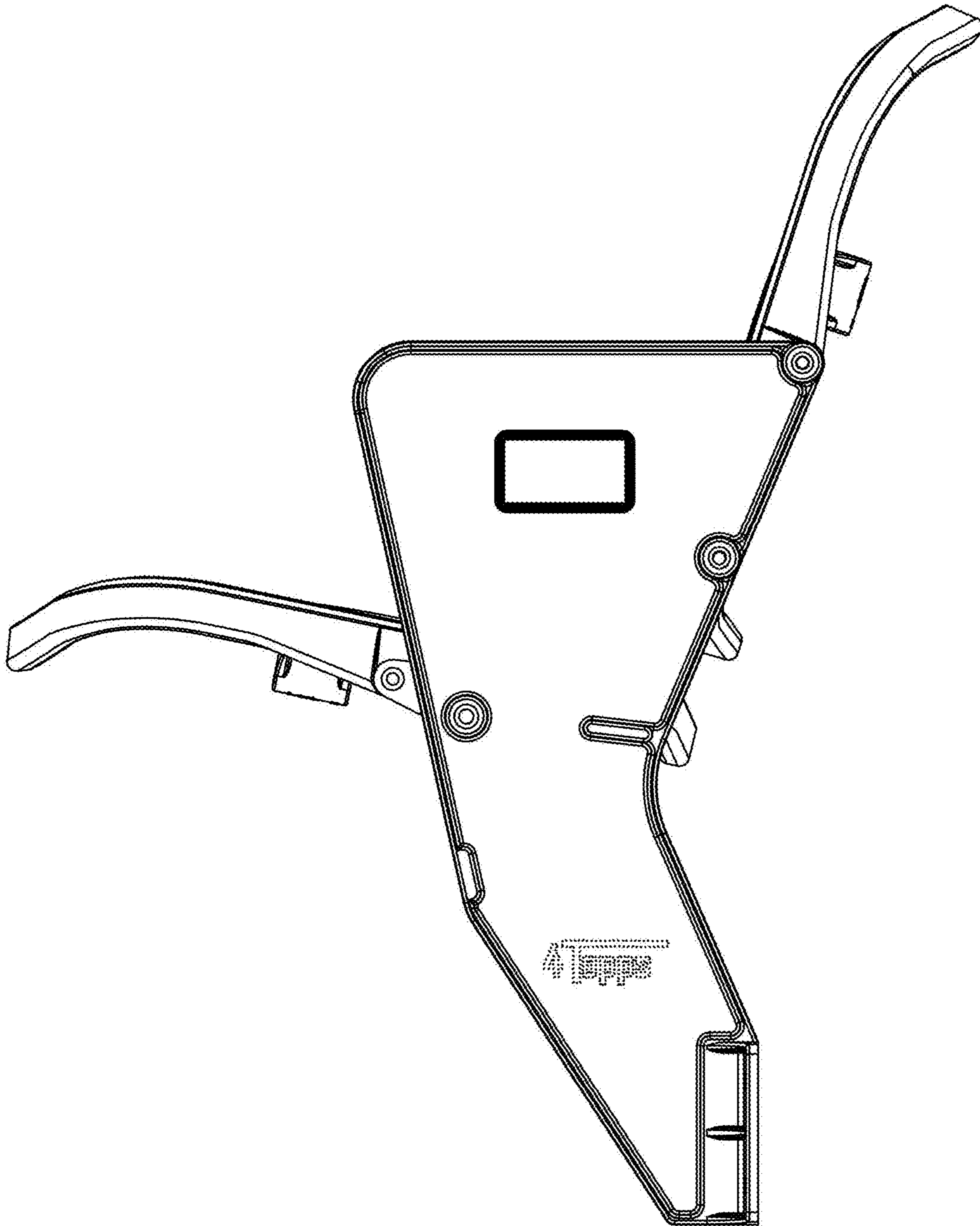


Fig. 5

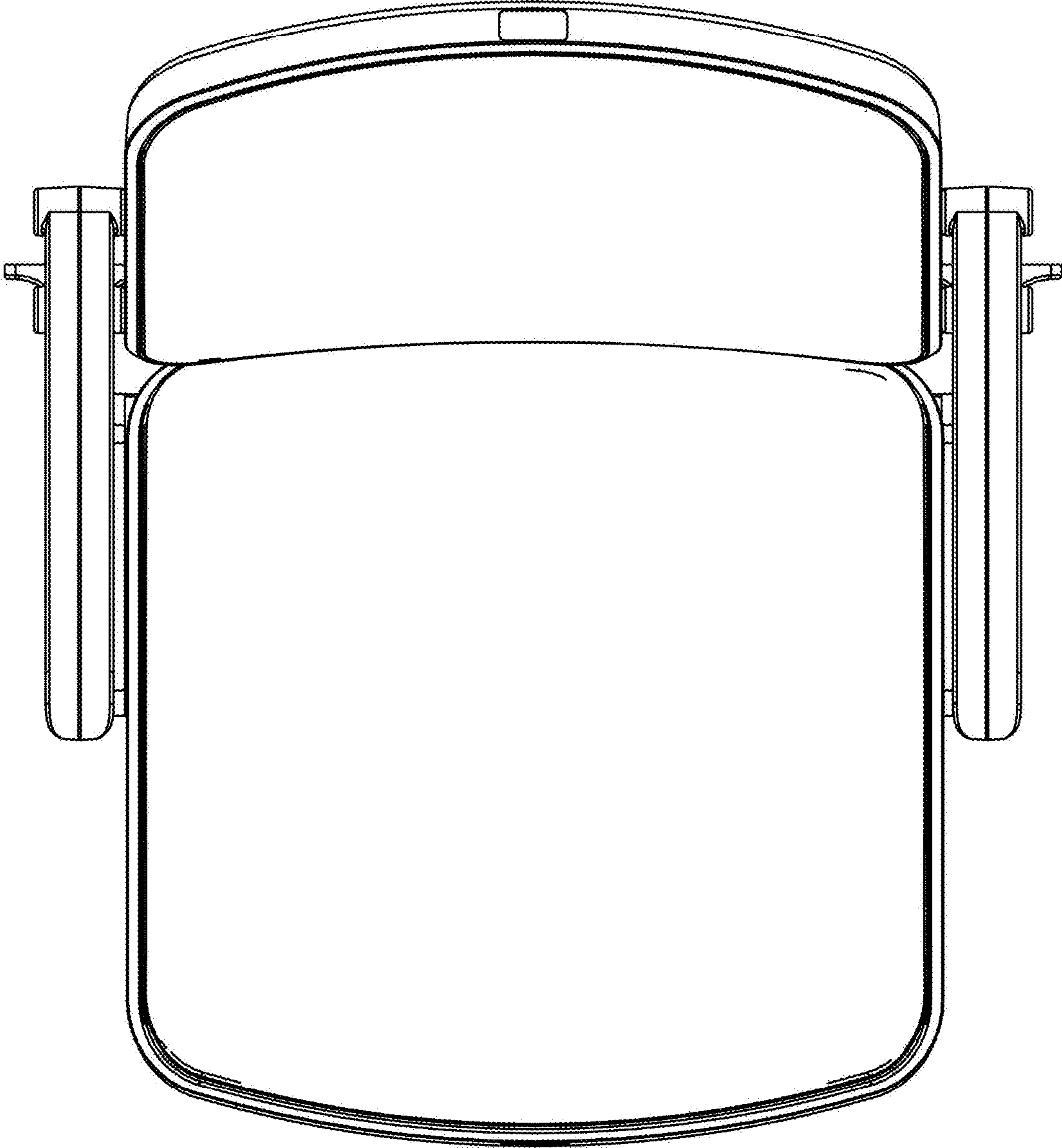


Fig. 6

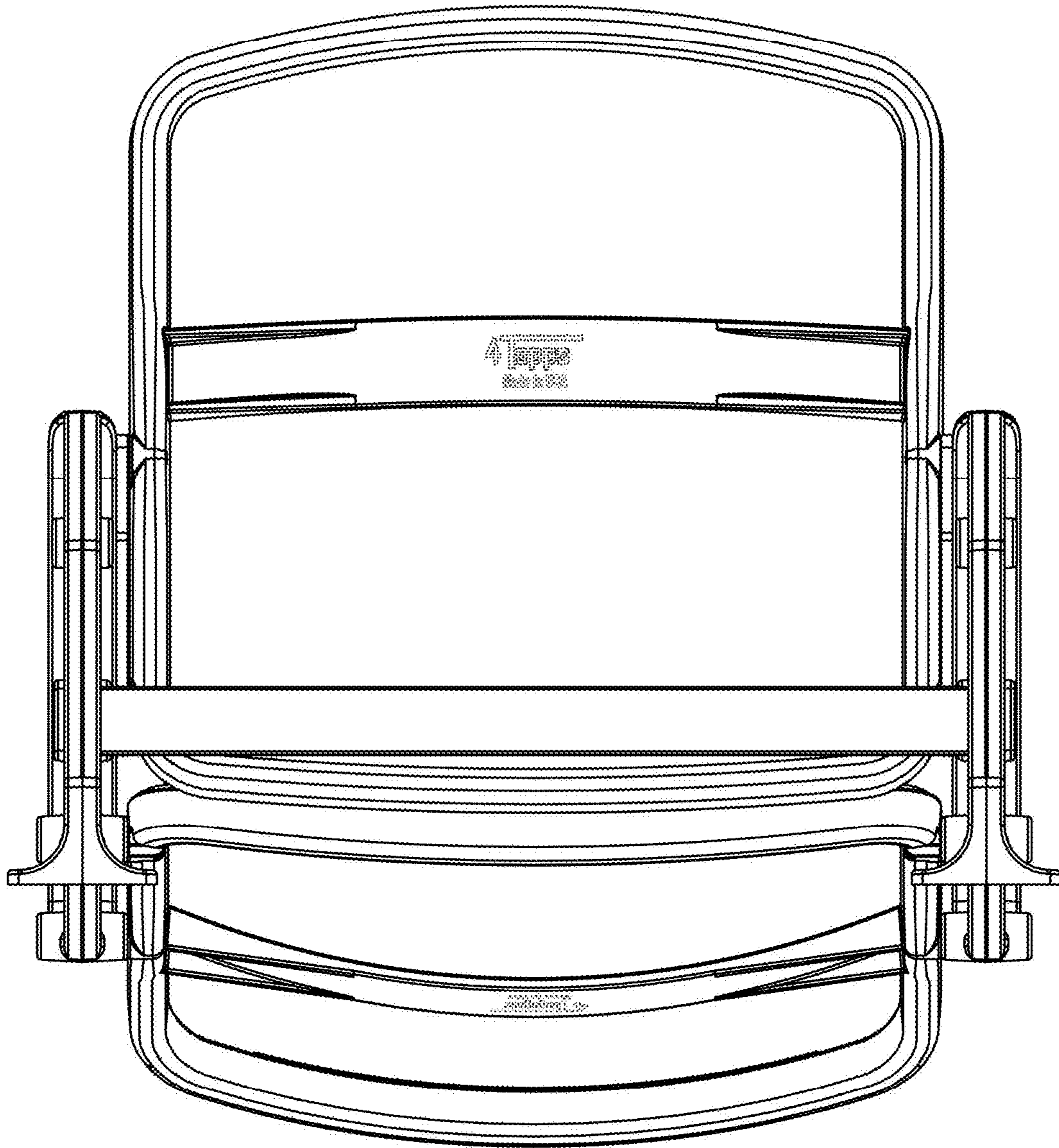


Fig. 7