



US00D948225S

(12) **United States Design Patent**
Harris

(10) **Patent No.:** **US D948,225 S**
(45) **Date of Patent:** **** Apr. 12, 2022**

(54) **CRADLE**

FOREIGN PATENT DOCUMENTS

(71) Applicant: **Mamas & Papas (Holdings) Limited,**
West Yorkshire (GB)

EM 006564845-0001 6/2019
EM 006564845-0002 6/2019

(Continued)

(72) Inventor: **Matthew Harris,** Halifax (GB)

OTHER PUBLICATIONS

(73) Assignee: **MAMAS & PAPAS (HOLDINGS) LIMITED,** West Yorkshire (GB)

“Compact Without Comprise: Strada, The New Stroller By Mama & Papas.” Found online May 18, 2021 at www.mybaba.com. Page dated Jul. 31, 2020. Retrieved from URL: <https://www.mybaba.com/compact-stroller-review/> (Year: 2020).*

(**) Term: **15 Years**

(Continued)

(21) Appl. No.: **29/716,003**

(22) Filed: **Dec. 5, 2019**

(30) **Foreign Application Priority Data**

Jun. 5, 2019 (EM) 006564845-0001
Jun. 5, 2019 (EM) 006564845-0002

Primary Examiner — Mary Ann Calabrese

Assistant Examiner — Katelin G Kloberg

(74) *Attorney, Agent, or Firm* — Sheridan Ross P.C.

(51) **LOC (13) Cl.** **06-01**

(52) **U.S. Cl.**
USPC **D6/333; D12/129**

(57) **CLAIM**

(58) **Field of Classification Search**
USPC D6/331, 333, 390, 391, 718, 718.26,
D6/718.28, 356, 718.11; D12/129, 133
CPC . A47D 7/00; A47D 9/00; A47D 9/005; A47D
7/002; A47D 13/063
See application file for complete search history.

The ornamental design for a cradle, as shown and described.

DESCRIPTION

(56) **References Cited**

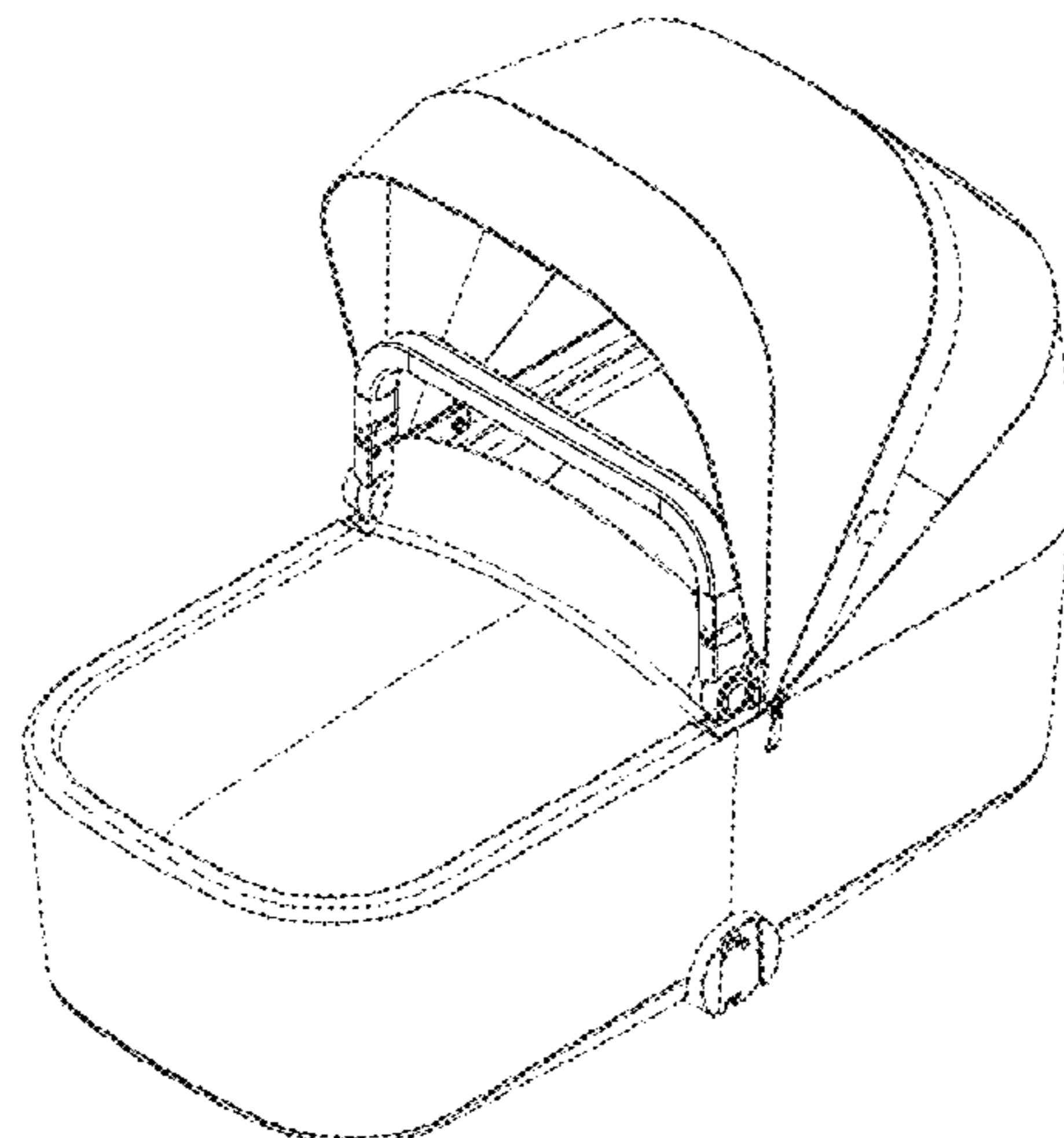
U.S. PATENT DOCUMENTS

1,261,951 A * 4/1918 MacGowan B60N 2/2854
5/94
1,363,667 A * 12/1920 Mahr B60N 2/2854
5/94
2,989,318 A * 6/1961 Schenkman B62B 7/068
280/643
3,096,917 A * 7/1963 Gudiksen A47D 15/003
294/140
3,339,213 A * 9/1967 Spencer A47D 13/063
4/494
4,571,760 A * 2/1986 Kassai A47D 13/02
5/98.1

FIG. 1 is a rear perspective view of a cradle, showing my new design;
FIG. 2 is a rear elevation view of the cradle;
FIG. 3 is a top plan view of the cradle;
FIG. 4 is a left elevation view of the cradle, with the right side elevation view being a mirror image of the left elevation view;
FIG. 5 is a bottom plan view of the cradle; and,
FIG. 6 is a left elevation view of the cradle, shown in a folded configuration, with the right elevation view being a mirror image of the left elevation view.
The broken lines shown in the figures represent environment and form no part of the claimed design.

(Continued)

1 Claim, 6 Drawing Sheets



(56)

References Cited

U.S. PATENT DOCUMENTS

4,836,573 A * 6/1989 Gebhard B62B 7/147
280/47.38
D333,389 S * 2/1993 Saito D6/333
D404,344 S * 1/1999 Espenshade D12/129
D432,464 S * 10/2000 Gehr, Jr D12/129
6,594,840 B2 * 7/2003 Tomas A47D 9/00
5/101
D527,316 S * 8/2006 Oxseth D12/129
D575,535 S * 8/2008 Bizzell D6/333
D577,918 S * 10/2008 Bizzell D6/333
D631,402 S * 1/2011 Bagwell D12/129
D640,483 S * 6/2011 Daley A47D 9/005
D6/390
D699,635 S * 2/2014 Slotteroy D12/133
D804,200 S * 12/2017 Ka Hung D6/333
D818,400 S * 5/2018 Barenbrug D12/133
9,980,579 B2 * 5/2018 Walker A47D 13/02
D858,364 S * 9/2019 Barenbrug D12/129
D864,043 S * 10/2019 Sundt-Hansen D12/129
D883,860 S * 5/2020 Barenbrug D12/129
D918,096 S * 5/2021 Hauser D12/129
D926,639 S * 8/2021 Hauser D12/129
2007/0006910 A1 * 1/2007 Chu A47D 9/005
135/133

FOREIGN PATENT DOCUMENTS

EM 006565354-0001 6/2019
EM 006565354-0002 6/2019
EM 006565354-0003 6/2019
EM 006565354-0004 6/2019

OTHER PUBLICATIONS

“Mamas & Papas Strada Carrycot—Cashmere.” Found online May 18, 2021 at www.amazon.co.uk. Product first available Sep. 21, 2020. Retrieved from URL: <https://www.amazon.co.uk/Mamas-Papas-Strada-Carrycot-Cashmere/dp/B08HRTDJ1J?th=1> (Year: 2020).*

“Mamas and Papas Demo 2020—Strada & Ocarro Pushchairs—Travel Systems.” Found online May 18, 2021 at www.youtube.com. Video published Dec. 15, 2020. Retrieved from URL: <https://www.youtube.com/watch?v=N5vf-4cP-Ow> (Year: 2020).*

“Stroll Streets Ahead with the Mamas & Papas Strada.” Found online May 18, 2021 at www.9monthsandforever.co.uk. Page dated Feb. 15, 2021. Retrieved from URL: <http://9monthsandforever.co.uk/2021/02/stroll-streets-ahead-with-the-mamas-papas-strada/> (Year: 2021).*

U.S. Appl. No. 29/716,006, filed Dec. 5, 2019, Harris.

* cited by examiner

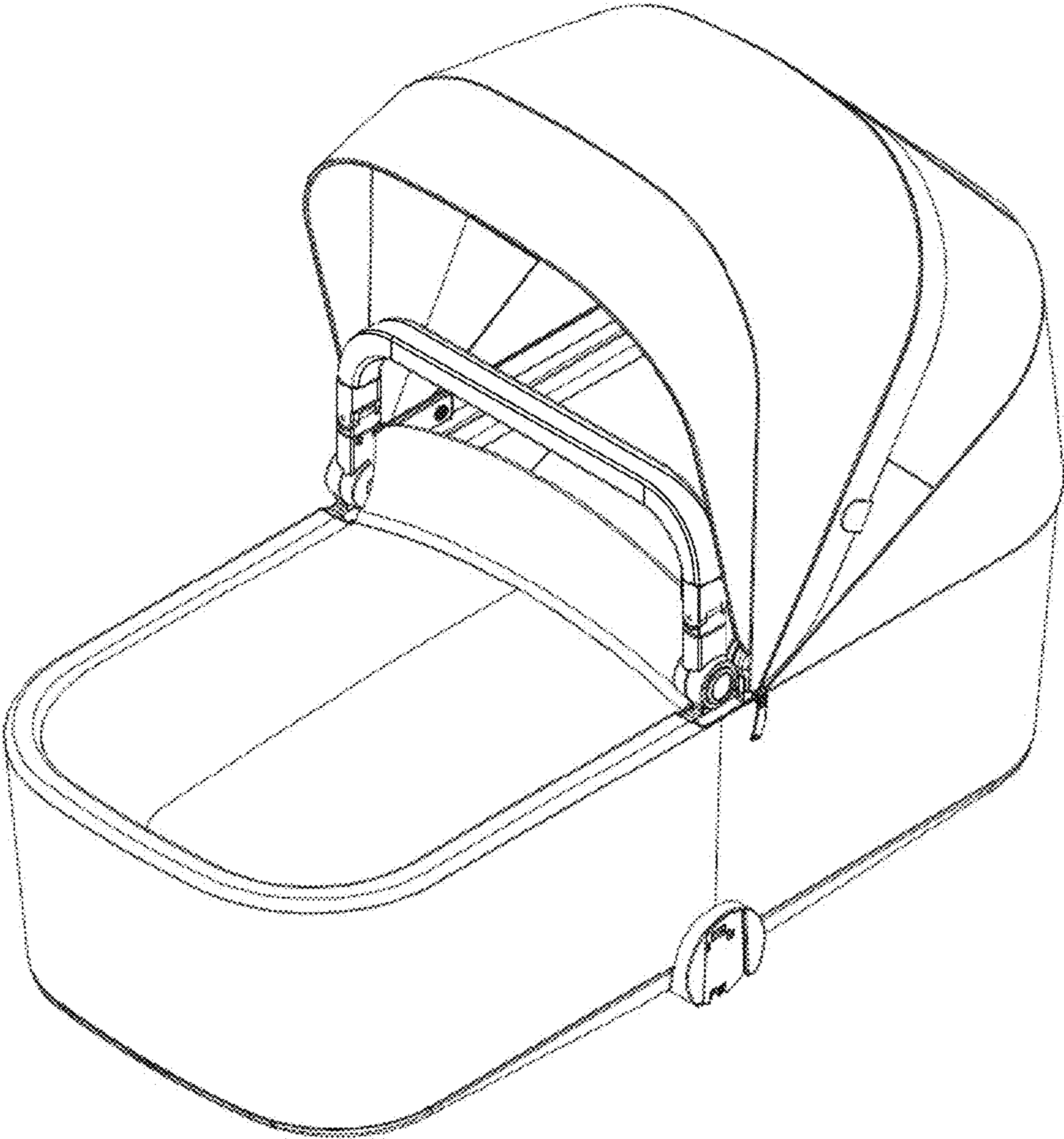


FIG. 1

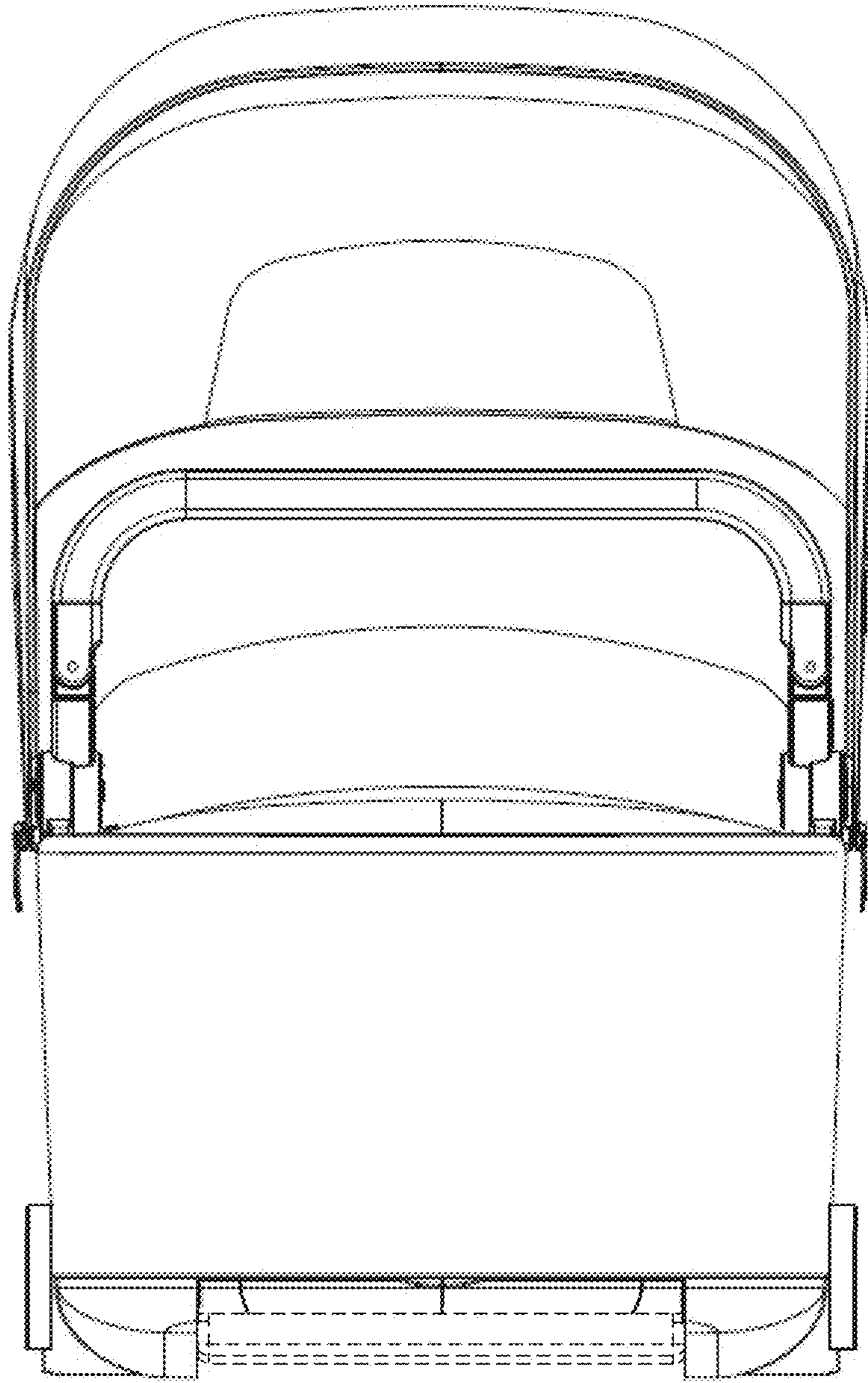


FIG.2

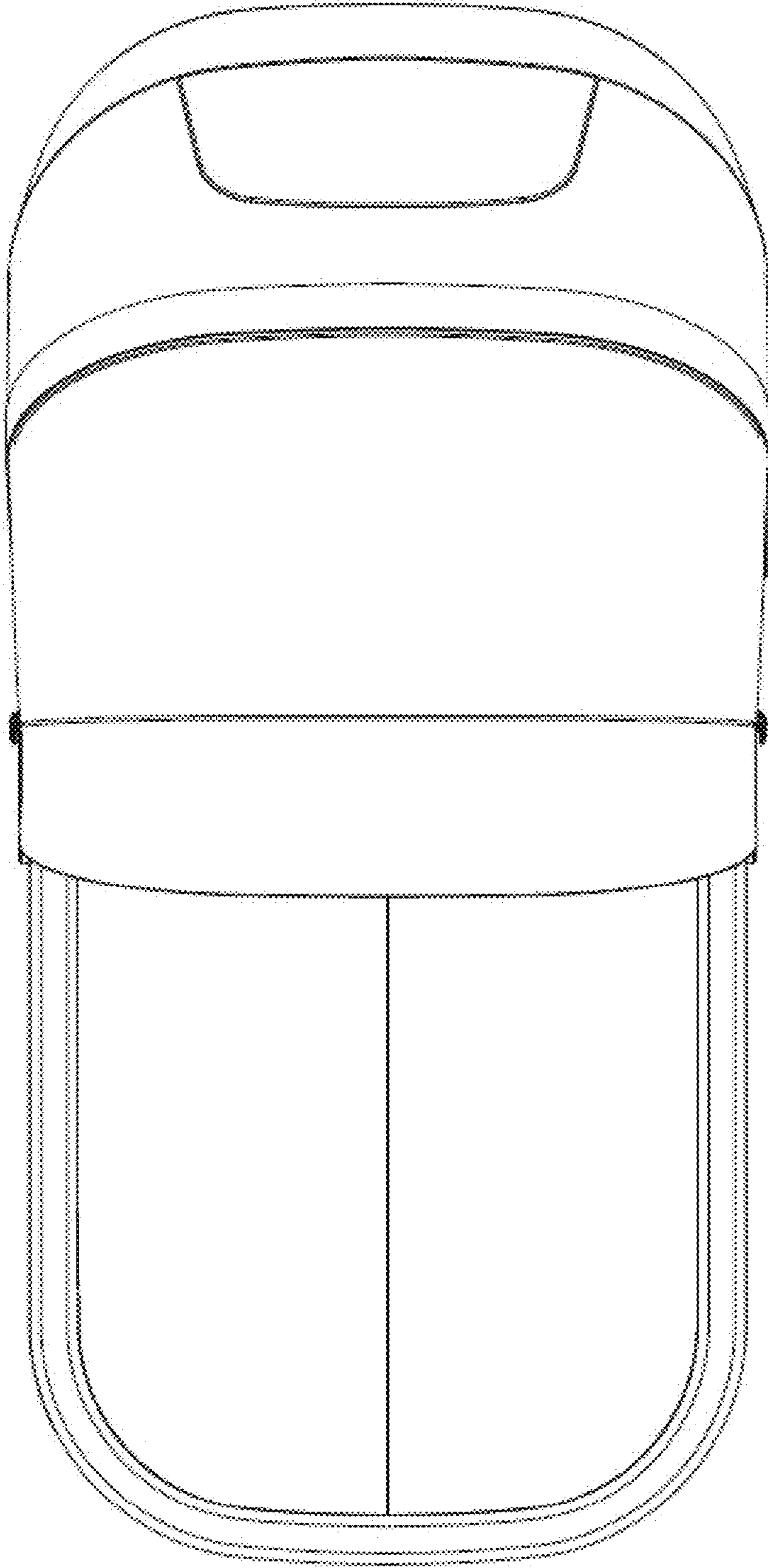


FIG.3

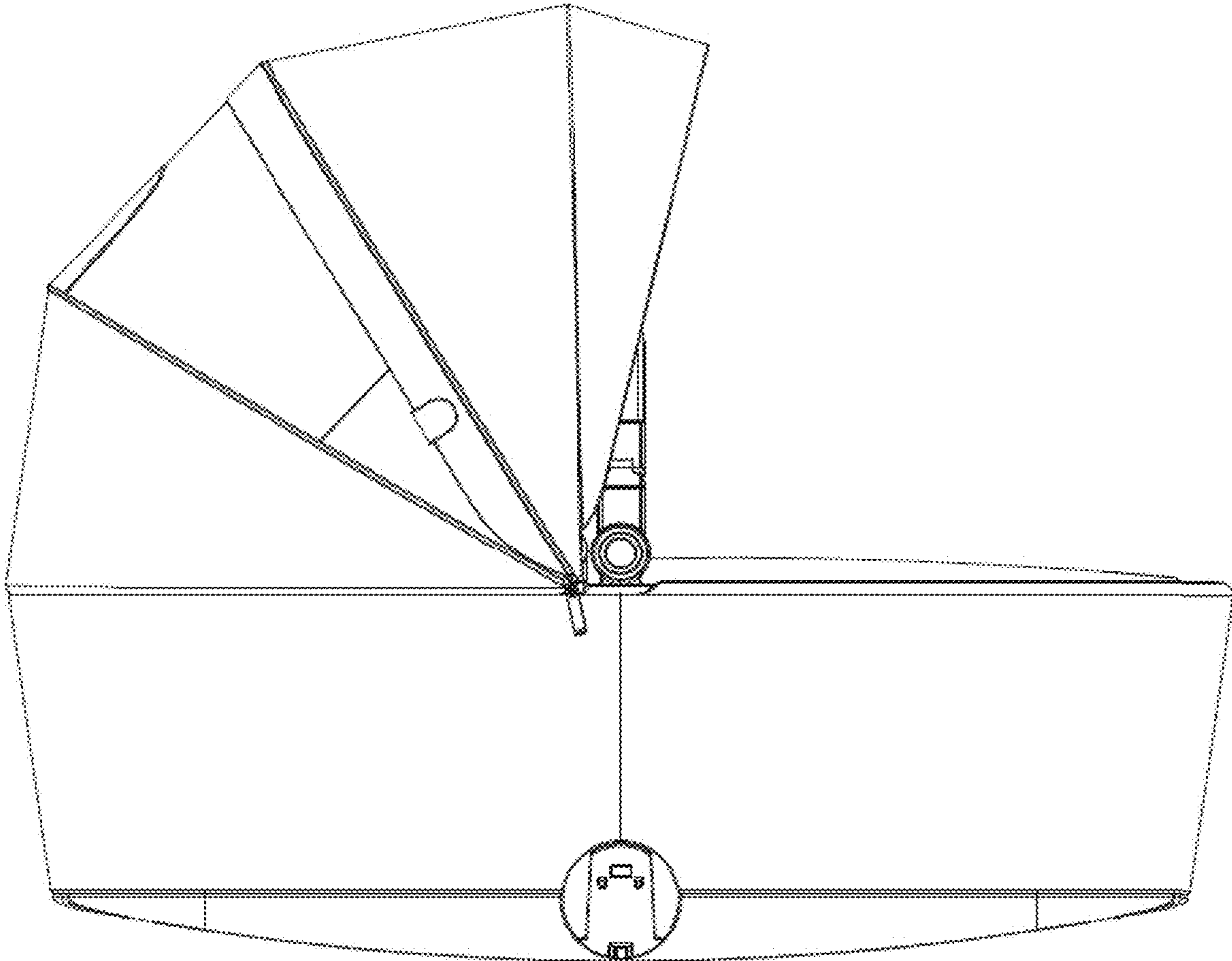


FIG.4

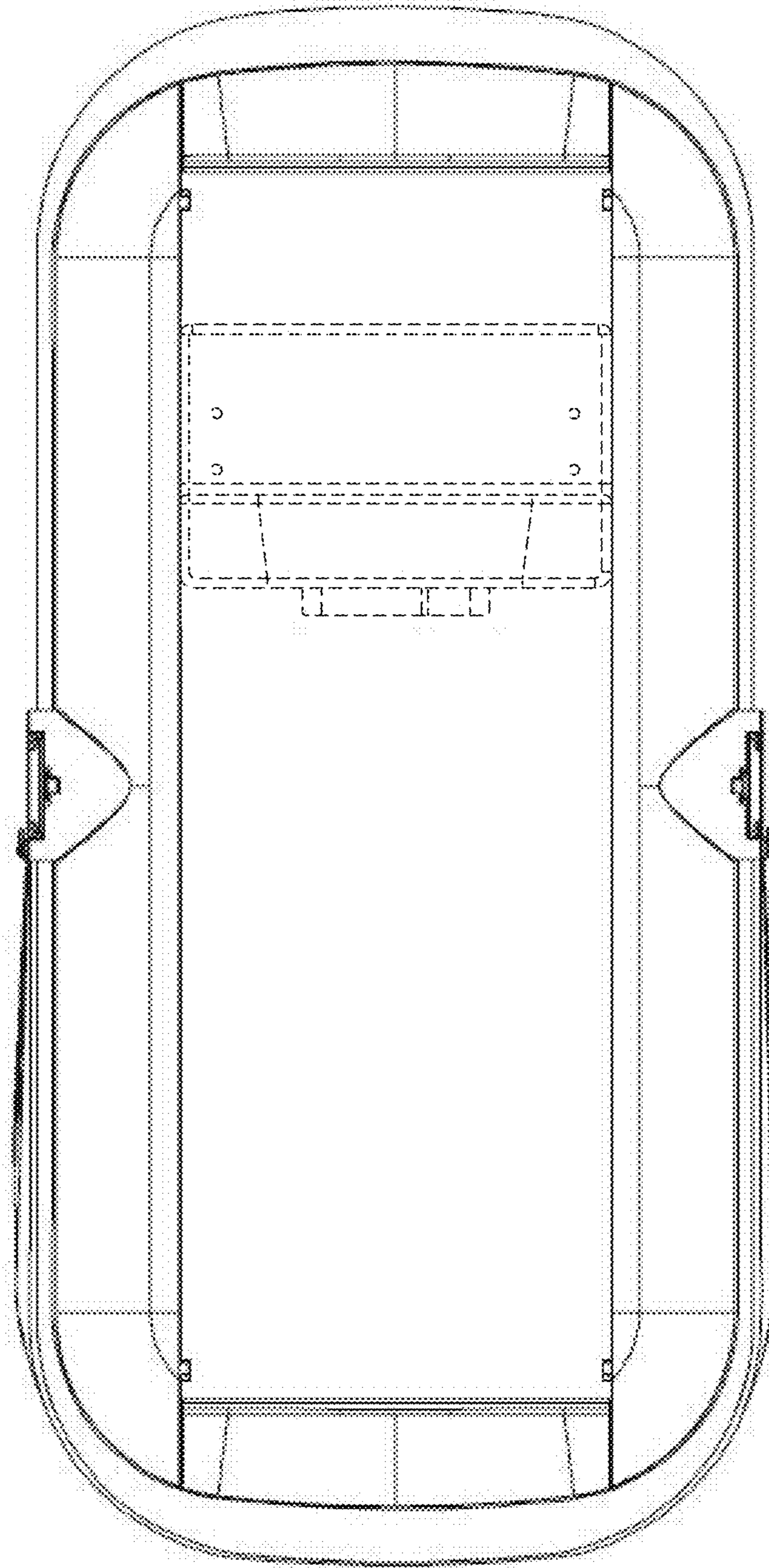


FIG.5

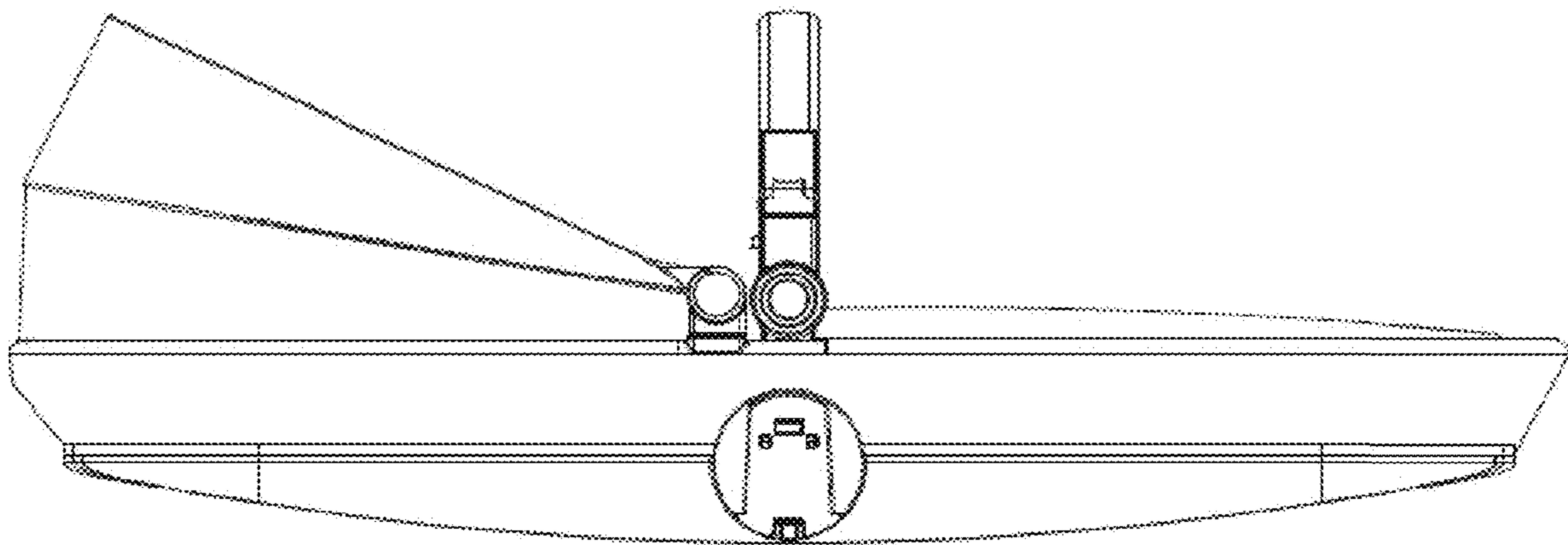


FIG.6