

US00D948223S

(12) **United States Design Patent**
Gold et al.

(10) **Patent No.:** **US D948,223 S**

(45) **Date of Patent:** **** Apr. 12, 2022**

(54) **PATTERNED REFLECTIVE MATERIAL**

(71) Applicant: **3M Innovative Properties Company**,
Saint Paul, MN (US)

(72) Inventors: **Anne C. Gold**, South St. Paul, MN
(US); **Silvia G. B. Guttmann**, Saint
Paul, MN (US); **Thomas J. Gilbert**,
Saint Paul, MN (US); **Corey D.**
Voelker, Ellsworth, WI (US); **Bernerd**
A. Koch, Saint Paul, MN (US)

(73) Assignee: **3M Innovative Properties Company**,
St. Paul, MN (US)

(**) Term: **15 Years**

(21) Appl. No.: **29/616,095**

(22) Filed: **Sep. 1, 2017**

(51) **LOC (13) Cl.** **05-05**

(52) **U.S. Cl.**
USPC **D5/56**

(58) **Field of Classification Search**
USPC D5/1-4, 6, 7, 11, 16, 19, 20, 23, 32, 43,
D5/44, 46-64, 66, 99; D6/578, 582-584,
(Continued)

(56) **References Cited**

U.S. PATENT DOCUMENTS

312,864 A * 2/1885 Kinney E04C 2/427
52/670
1,440,358 A * 12/1922 Whetstone D21J 1/16
D5/53

(Continued)

FOREIGN PATENT DOCUMENTS

CN 304242521 8/2017
CN 304242555 8/2017

(Continued)

OTHER PUBLICATIONS

Chinese Application 2017107910586 filed Sep. 1, 2017, to Gold et al.

(Continued)

Primary Examiner — Wendy L Arminio

(74) *Attorney, Agent, or Firm* — Steven A. Bern; Veruska C. Dias; Dena M. Ehrich

(57) **CLAIM**

The ornamental design for a patterned reflective material, as shown and described.

DESCRIPTION

FIG. 1 is a front right perspective view of a patterned reflective material in accordance with an embodiment of the claimed design;

FIG. 2 is a front elevation view of the design of FIG. 1;

FIG. 3 is a rear elevation view of the design of FIG. 1;

FIG. 4 is a bottom plan view of the design of FIG. 1;

FIG. 5 is a right side elevation view of the design of FIG. 1;

FIG. 6 is a front right perspective view of a patterned reflective material in accordance with another embodiment of the claimed design and shown attached to a substrate;

FIG. 7 is a front elevation view of the design of FIG. 6;

FIG. 8 is a rear elevation view of the design of FIG. 6;

FIG. 9 is a bottom plan view of the design of FIG. 6; and,

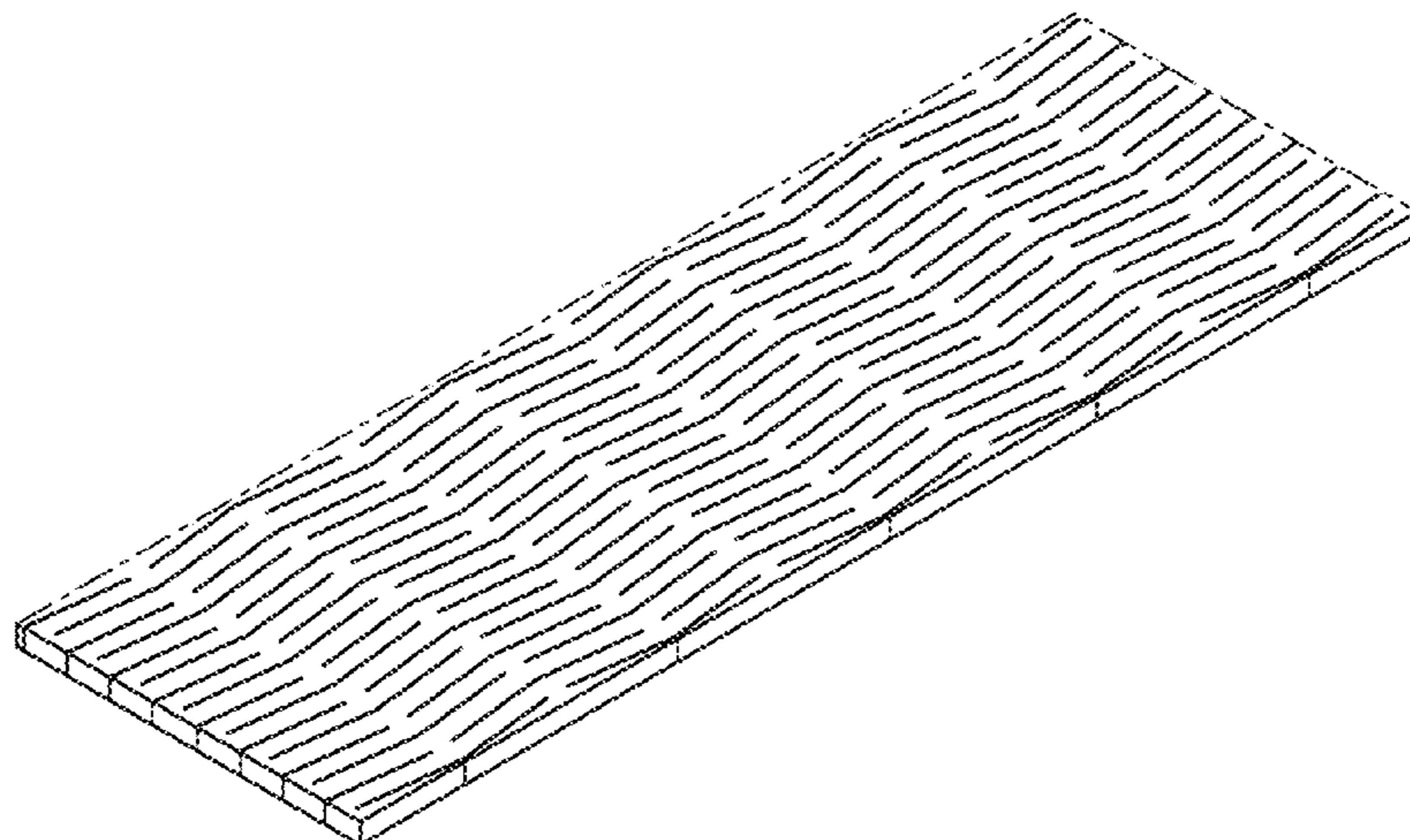
FIG. 10 is a right side elevation view of the design of FIG. 6.

The left side elevation views and the top plan views of each of the embodiments illustrated are not shown and form no part of the claimed design.

The surfaces between the solid lines and between the solid lines and the dot-dash-dot broken lines are part of the claimed design. These surfaces may not include surface shading, for the purpose of clarity, due to proximity of the lines.

The dot-dash broken lines in the figures immediately adjacent the solid lines represent a boundary between claimed and unclaimed subject matter and form no part of the claimed design.

1 Claim, 2 Drawing Sheets



(58) **Field of Classification Search**

USPC D6/587, 592, 600, 602, 603, 610, 613,
 D6/615, 702, 703, 703.3, 707, 707.21,
 D6/718, 718.13, 719; D19/1, 5;
 D25/105, 110-112, 138, 140, 149, 151;
 D32/40; D24/189
 CPC ... B31F 1/00; B31F 1/07; B32B 3/266; B32B
 5/024; B44F 1/00; B44F 1/02; B44F
 1/08; B44F 1/10; B44F 5/00; B44F 7/00;
 B44F 9/00; B44F 9/04; B44F 11/00;
 B44F 11/02; B44F 11/04; D03D 1/00;
 D04H 1/00; D04H 1/02; D10B 2503/04;
 D21H 27/02

See application file for complete search history.

(56) **References Cited**

U.S. PATENT DOCUMENTS

D97,097 S * 10/1935 Schumacher D5/49
 D114,051 S * 3/1939 Winkel D5/53
 3,040,968 A * 6/1962 Long B65D 29/04
 229/87.08
 3,454,455 A * 7/1969 Rasmussen B29D 28/00
 428/136
 3,642,967 A * 2/1972 Doll B31D 5/0065
 264/51
 3,655,501 A * 4/1972 Tesch C09J 7/20
 D5/47
 3,756,907 A * 9/1973 Heling D04H 1/00
 162/114
 3,985,599 A * 10/1976 Lepoutre B29D 16/00
 156/164
 3,985,600 A * 10/1976 Blais B26F 1/20
 156/229
 4,105,724 A * 8/1978 Talbot B01J 19/30
 261/112.1
 D258,155 S * 2/1981 Mathews D24/189
 4,288,884 A * 9/1981 Bahls A47L 13/20
 15/229.2
 D268,295 S * 3/1983 Schoerner D5/7
 4,597,916 A * 7/1986 Chen B01J 19/32
 202/158
 4,615,671 A * 10/1986 Bernal B26F 1/18
 264/146
 4,712,868 A * 12/1987 Tung G02B 5/124
 359/514
 4,832,228 A * 5/1989 Hickey A01K 45/00
 119/174
 4,969,970 A * 11/1990 Suzuki A61F 13/15577
 156/229
 5,001,017 A * 3/1991 Alhamad A62C 3/06
 169/48
 5,207,756 A * 5/1993 Alhamad A62C 3/06
 29/4.55
 5,365,819 A * 11/1994 Maida B21D 31/04
 493/363
 5,667,871 A * 9/1997 Goodrich B31C 5/00
 206/521
 5,713,881 A * 2/1998 Rezai A61F 13/15203
 604/365
 5,868,724 A * 2/1999 Dierckes, Jr. A61F 13/15658
 604/367
 D414,345 S * 9/1999 Barnholtz D5/60
 D414,943 S * 10/1999 Barnholtz D5/53
 6,155,698 A 12/2000 Yoon
 D462,530 S * 9/2002 Almvik D5/59
 6,989,075 B1 * 1/2006 Kao A61K 8/0208
 162/125
 7,740,928 B2 * 6/2010 Mehta C09J 7/22
 428/40.1
 D636,607 S 4/2011 Withers
 D637,408 S 5/2011 Steeman
 D647,309 S 10/2011 Kuehn

D655,921 S 3/2012 Snyder
 D656,741 S * 4/2012 Snyder D5/60
 D657,958 S * 4/2012 Ehrman D5/56
 D660,008 S 5/2012 Carminati Molina
 D663,126 S 7/2012 Lapinid, Jr.
 D672,964 S 12/2012 Sheehan
 8,479,395 B2 * 7/2013 Quaderer B21D 53/88
 29/897.2
 D714,560 S * 10/2014 Xu D5/56
 8,851,688 B2 10/2014 Huang
 D746,597 S 1/2016 Araujo
 9,234,990 B2 1/2016 Huang
 9,376,280 B2 * 6/2016 Page B65H 23/06
 9,586,747 B2 * 3/2017 Zhang B65D 81/3876
 10,002,692 B2 * 6/2018 Czyzewski H01B 17/28
 D841,059 S * 2/2019 Carpenter D15/89
 10,226,907 B2 * 3/2019 Goodrich B32B 29/005
 D851,944 S * 6/2019 Toelke D5/56
 D852,512 S * 7/2019 Toelke D5/56
 D854,858 S * 7/2019 Fontaine D6/582
 D863,787 S * 10/2019 Milenovich D5/56
 D874,791 S * 2/2020 Hanna D2/829
 D880,777 S * 4/2020 Henningsen D29/101.4
 10,669,086 B2 * 6/2020 Goodrich B31D 5/006
 10,722,093 B2 * 7/2020 Tuman A47L 13/20
 2003/0019009 A1 1/2003 Feduzi
 2010/0259050 A1 10/2010 Meller
 2012/0204383 A1 * 8/2012 Wood B29C 71/02
 24/306
 2012/0330266 A1 * 12/2012 Zonneveld B23P 13/00
 604/391
 2013/0012898 A1 * 1/2013 Bergendahl A61F 13/15699
 604/365
 2014/0295134 A1 * 10/2014 Wood B32B 5/18
 428/135
 2014/0332999 A1 * 11/2014 Rothwell D01D 5/426
 264/172.11
 2017/0027778 A1 * 2/2017 Stridfeldt A61F 13/8405
 2018/0338869 A1 * 11/2018 Jonegren A61F 13/537
 2019/0187345 A1 * 6/2019 Gold B32B 5/022
 2020/0209442 A1 * 7/2020 Gold B32B 25/04

FOREIGN PATENT DOCUMENTS

CN 304242663 8/2017
 CN 304242875 8/2017
 CN 304243350 8/2017
 CN 304243399 8/2017
 CN 304244048 8/2017
 CN 304244620 8/2017
 CN 004207009-0008 11/2017
 CN 004207009-0009 11/2017
 CN 004207009-0010 11/2017
 CN 004207009-0011 11/2017
 CN 004207009-0012 11/2017
 CN 004207009-0013 11/2017
 CN 004207009-0014 11/2017
 CN 304558807 3/2018
 CN 304623985 6/2018
 CN 304688806 6/2018
 EM 004207009-0001 11/2017
 EM 004207009-0002 11/2017
 EM 004207009-0003 11/2017
 EM 004207009-0004 11/2017
 EM 004207009-0005 11/2017
 EM 004207009-0006 11/2017
 EM 004207009-0007 11/2017
 EM 004207504 12/2017
 JP 1570434 2/2017
 WO WO 1993-01534 1/1993
 WO WO 2006-055082 5/2006
 WO WO 2007-045011 4/2007

(56)

References Cited

FOREIGN PATENT DOCUMENTS

| | | |
|----|----------------|--------|
| WO | WO 2012-112768 | 8/2012 |
| WO | WO 2015-089125 | 6/2015 |

OTHER PUBLICATIONS

Chinese Application 2017211282123 filed Sep. 1, 2017, to Gold et al.

Taiwan Application 106129954 filed Sep. 1, 2017, to Gold et al.

* cited by examiner

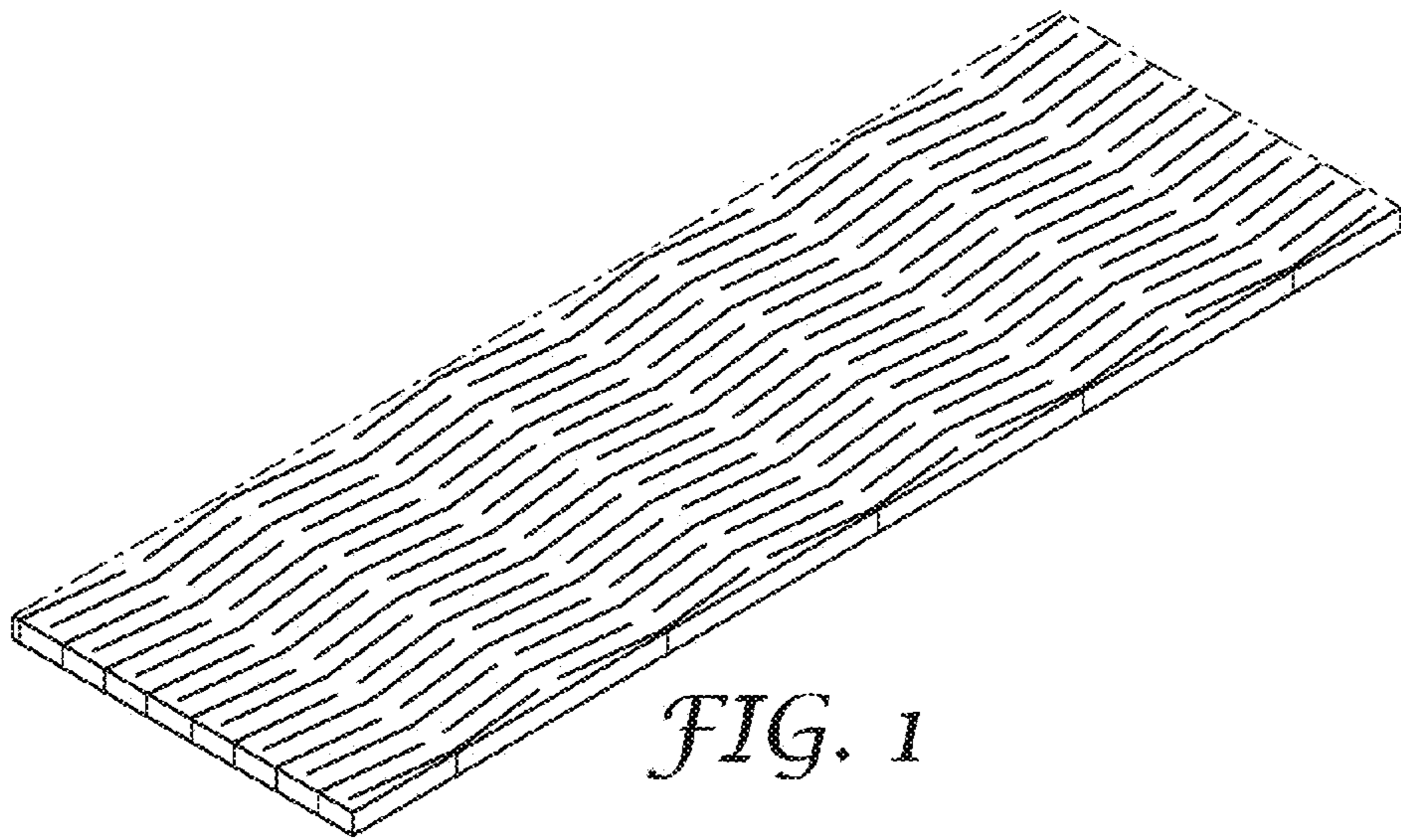


FIG. 1

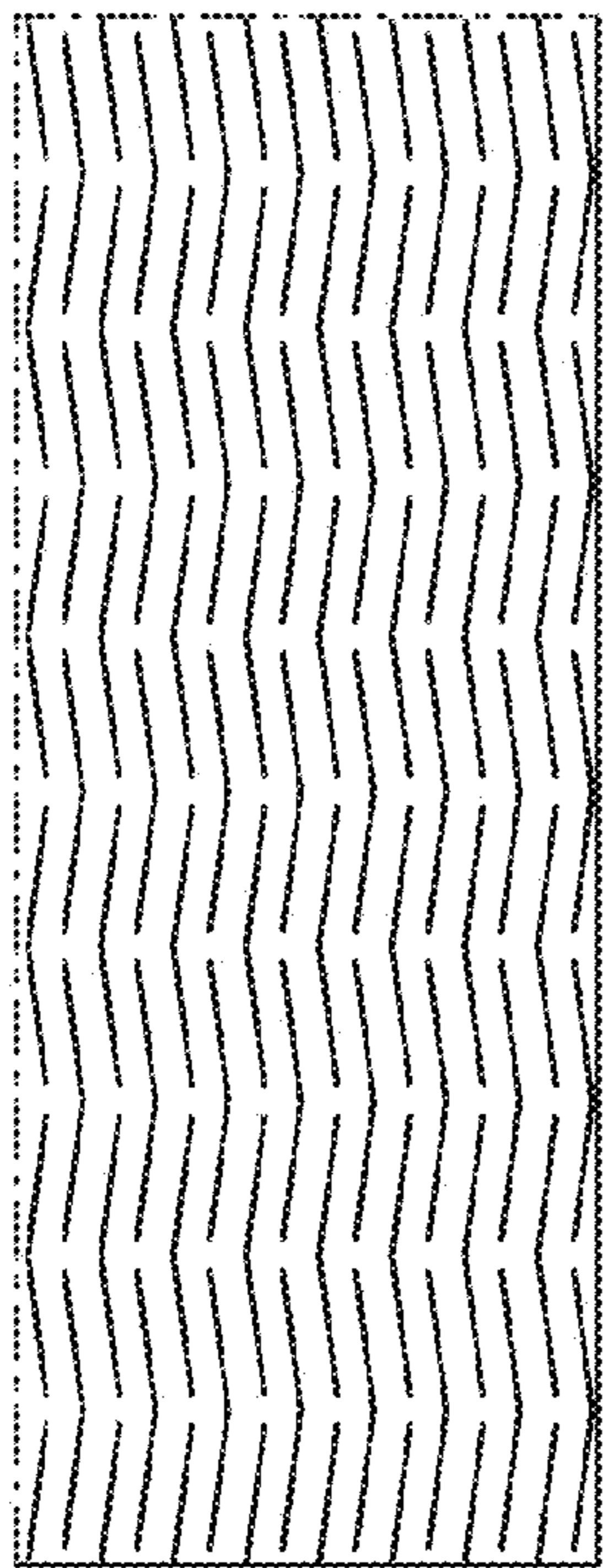


FIG. 2

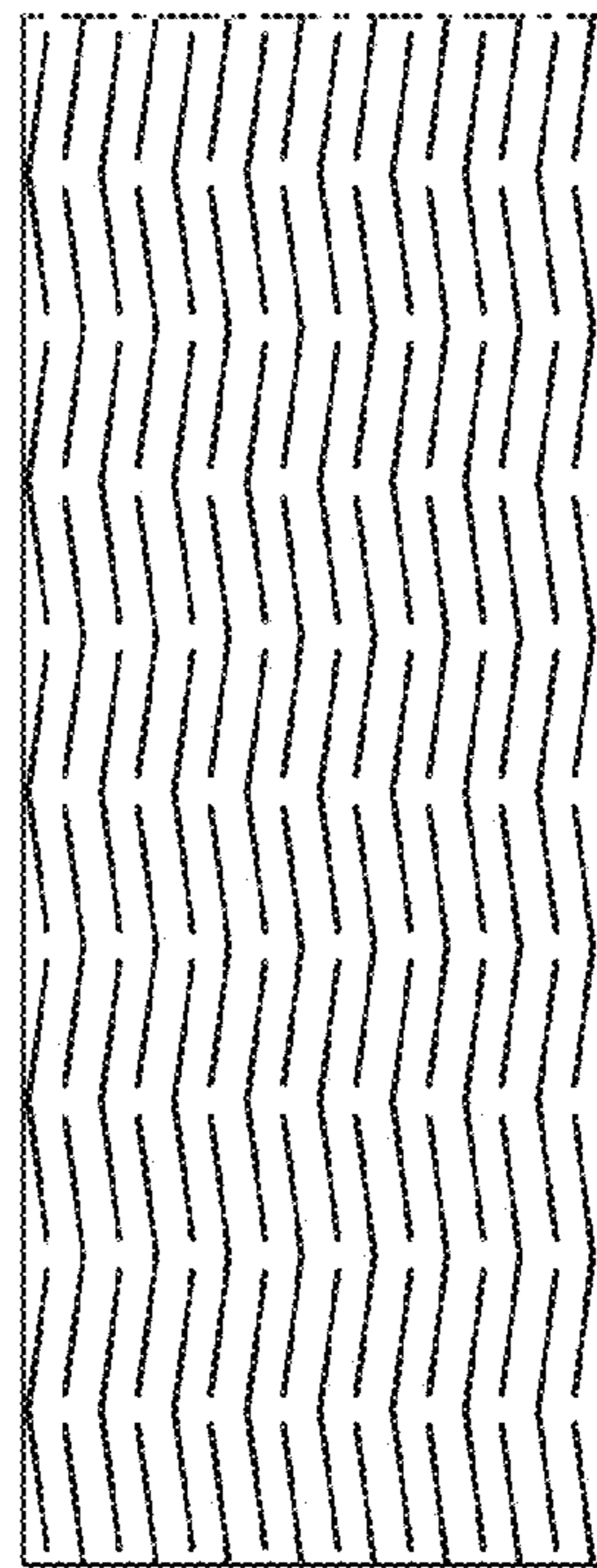


FIG. 3

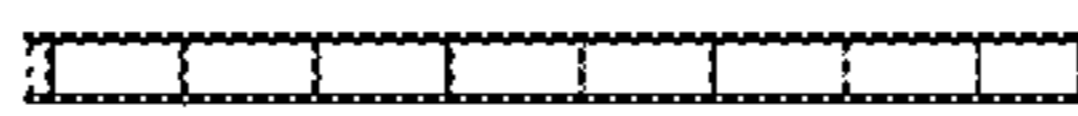


FIG. 4



FIG. 5

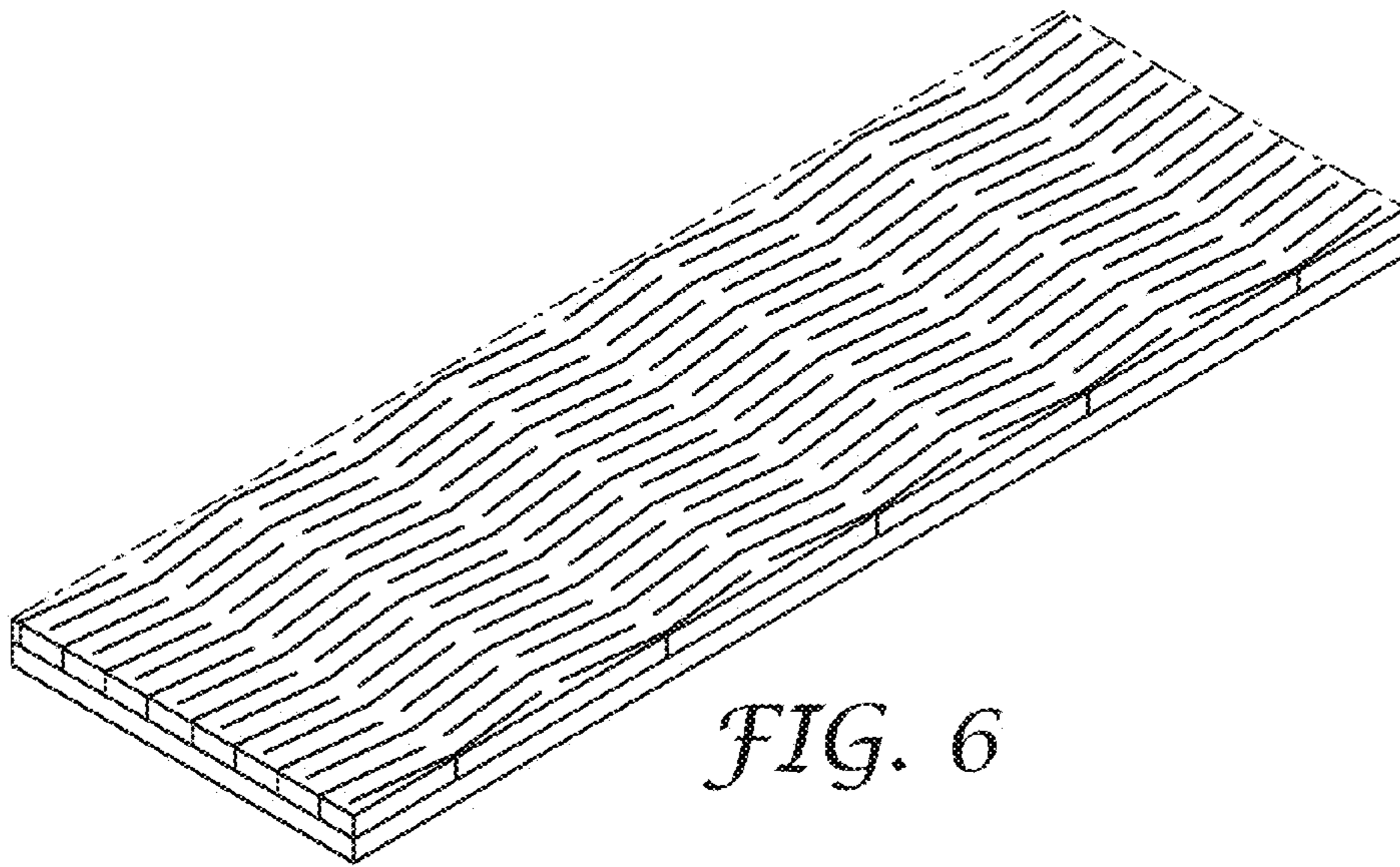


FIG. 6

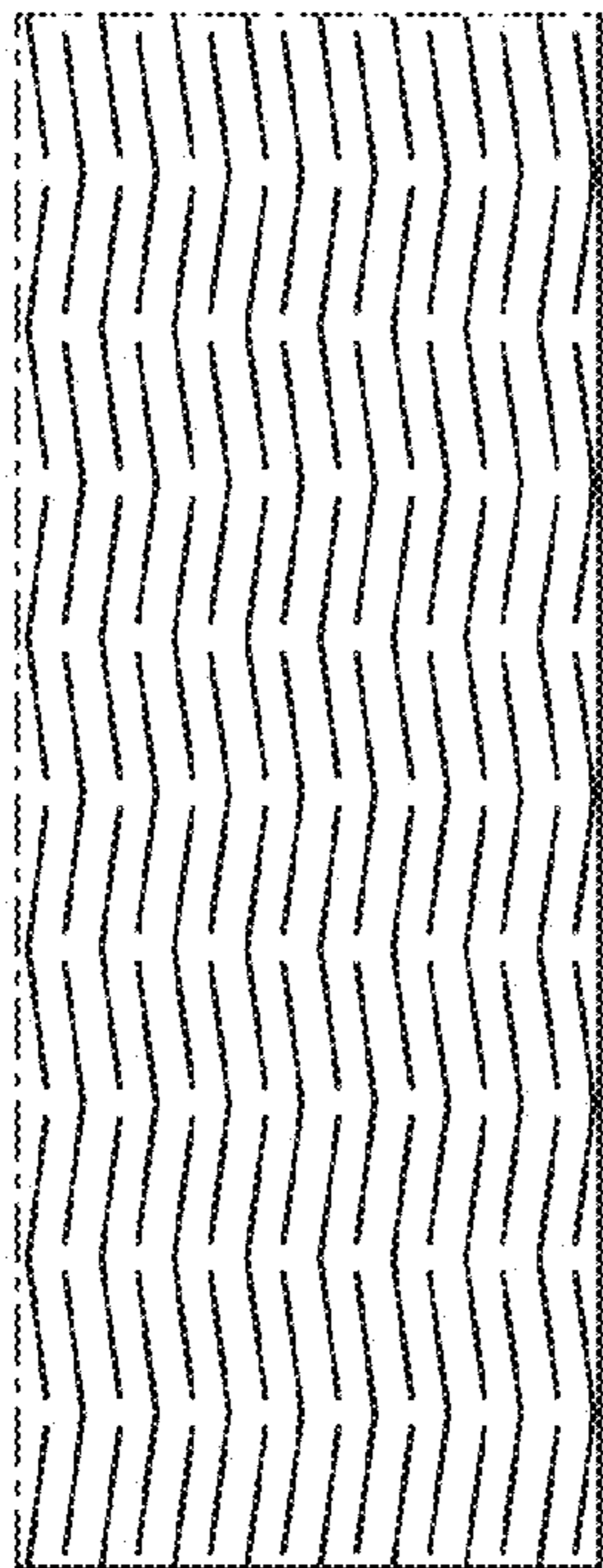


FIG. 7

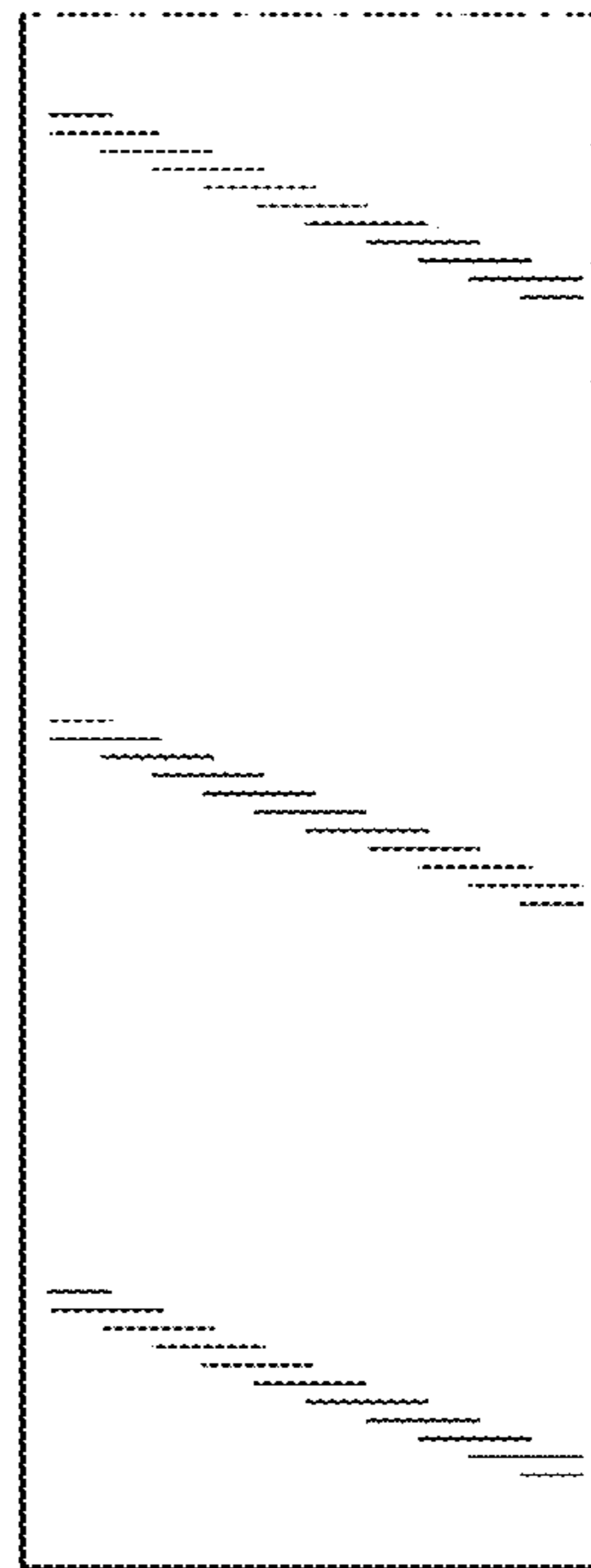


FIG. 8

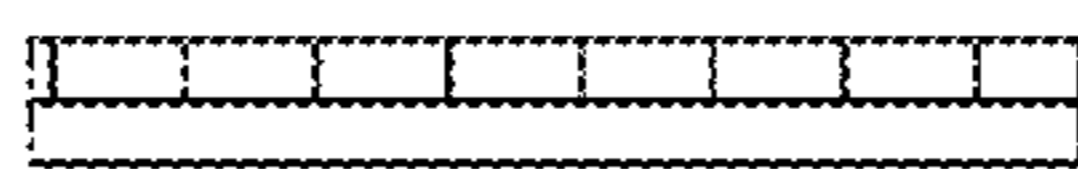


FIG. 9



FIG. 10