



US00D948222S

(12) **United States Design Patent** (10) **Patent No.:** **US D948,222 S**  
**Gurreri et al.** (45) **Date of Patent:** **\*\* Apr. 12, 2022**

(54) **PAD PAINTER**

(71) Applicant: **SWIMC LLC**, Cleveland, OH (US)

(72) Inventors: **Christopher Nicholas Gurreri**,  
Cleveland, OH (US); **Jennifer S. Kitchen**,  
Cleveland, OH (US); **Michael C. Lambertson, Jr.**,  
Cleveland, OH (US); **Connie M. McKinney**,  
Cleveland, OH (US)

(73) Assignee: **SWIMC LLC**, Cleveland, OH (US)

(\*\*) Term: **15 Years**

(21) Appl. No.: **29/762,494**

(22) Filed: **Dec. 16, 2020**

(51) **LOC (13) Cl.** ..... **04-99**

(52) **U.S. Cl.**  
USPC ..... **D4/138**

(58) **Field of Classification Search**  
USPC ..... D4/117-138; D7/688; D19/110  
CPC ..... A47J 43/288; A47J 43/0727  
See application file for complete search history.

(56) **References Cited**

U.S. PATENT DOCUMENTS

2,955,308	A	10/1960	Nelson	
3,389,418	A	6/1968	Sencabaugh	
D224,713	S	9/1972	Schmitz et al.	
4,224,713	A	9/1980	Trent	
5,774,925	A	7/1998	Pryor, III	
6,012,750	A *	1/2000	Swartz	A47J 43/288 294/7
7,076,826	B2	7/2006	Hochanandel	
7,412,742	B2	8/2008	Esquivel et al.	
9,180,479	B1	11/2015	Ries	
D828,087	S *	9/2018	Munari	D7/395
10,165,900	B1 *	1/2019	Rankin, V	A47J 43/288
10,166,569	B1	1/2019	Ries	
D851,942	S *	6/2019	Lee	D4/138

D925,042	S *	7/2021	Thao	D24/176
2007/0157408	A1	7/2007	Bargiel et al.	
2018/0353989	A1	12/2018	Ries	

FOREIGN PATENT DOCUMENTS

GB 6110030 \* 12/2020

OTHER PUBLICATIONS

Dexter Russell, announced Sep. 2021 [online], [site visited Aug. 30, 2021]. Available from internet, URL: <https://www.webstaurantstore.com/dexter-russell-31641-4-x-2-1-2-solid-turner-plastic-handle/69333970.html> (Year: 2021).\*

Williams Sonoma, announced 2021 [online], [site visited Aug. 30, 2021]. Available from internet, URL: <https://www.williams-sonoma.com/products/open-kitchen-by-williams-sonoma-stainless-steel-spatula/> (Year: 2021).\*

\* cited by examiner

*Primary Examiner* — George A Bugg  
*Assistant Examiner* — Tamara L Hahn

(74) *Attorney, Agent, or Firm* — Porter, Wright, Morris & Arthur, LLP

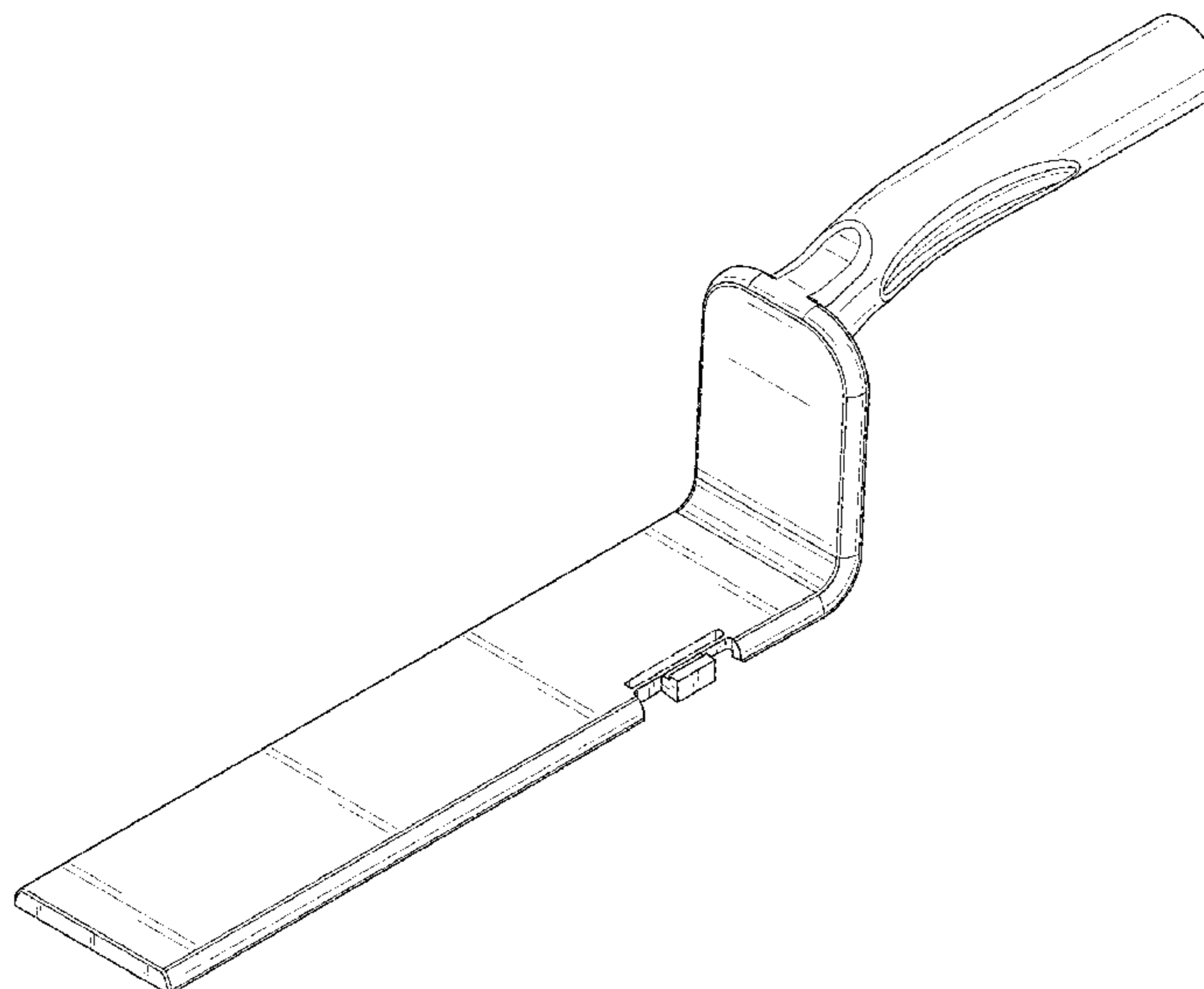
(57) **CLAIM**

The ornamental design for a pad painter, as shown and described.

**DESCRIPTION**

FIG. 1 is a top-front perspective view of a pad painter according to our new design;  
FIG. 2 is a front view thereof;  
FIG. 3 is a rear view thereof;  
FIG. 4 is a right-side view thereof;  
FIG. 5 is a left-side view thereof;  
FIG. 6 is a top view thereof;  
FIG. 7 is a bottom view thereof; and,  
FIG. 8 is a rear-bottom perspective view.

**1 Claim, 5 Drawing Sheets**



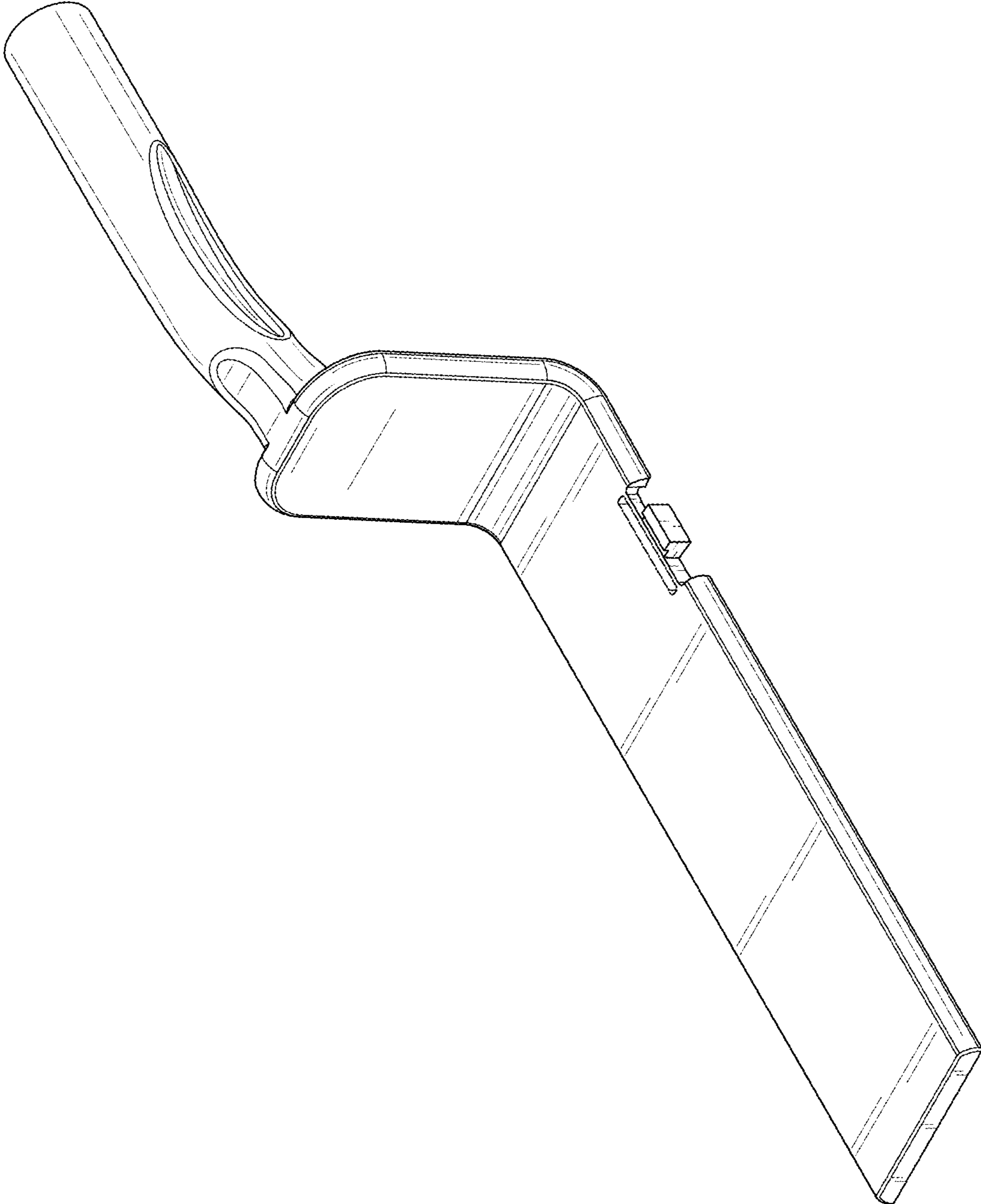


FIG. 1

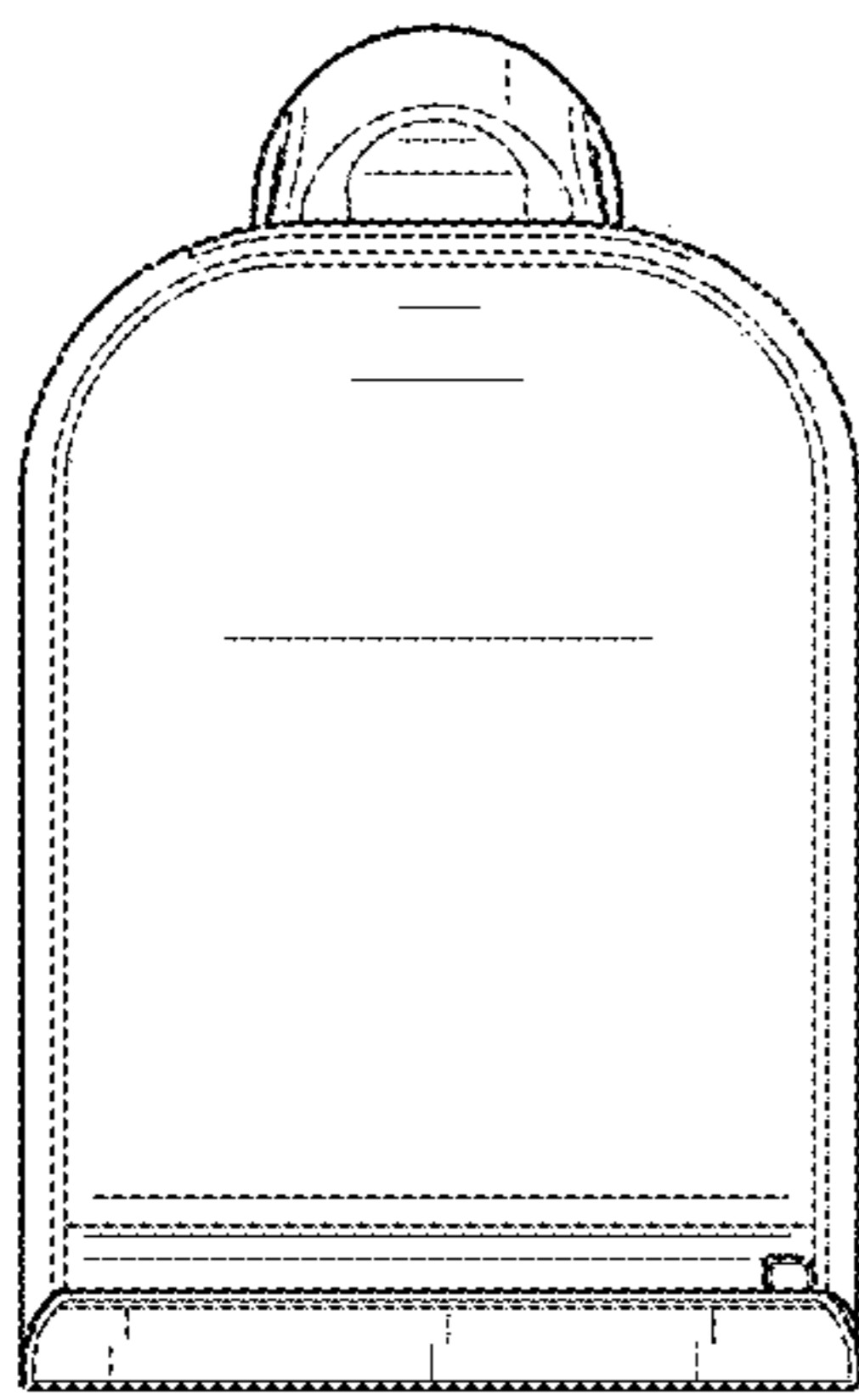


FIG. 2

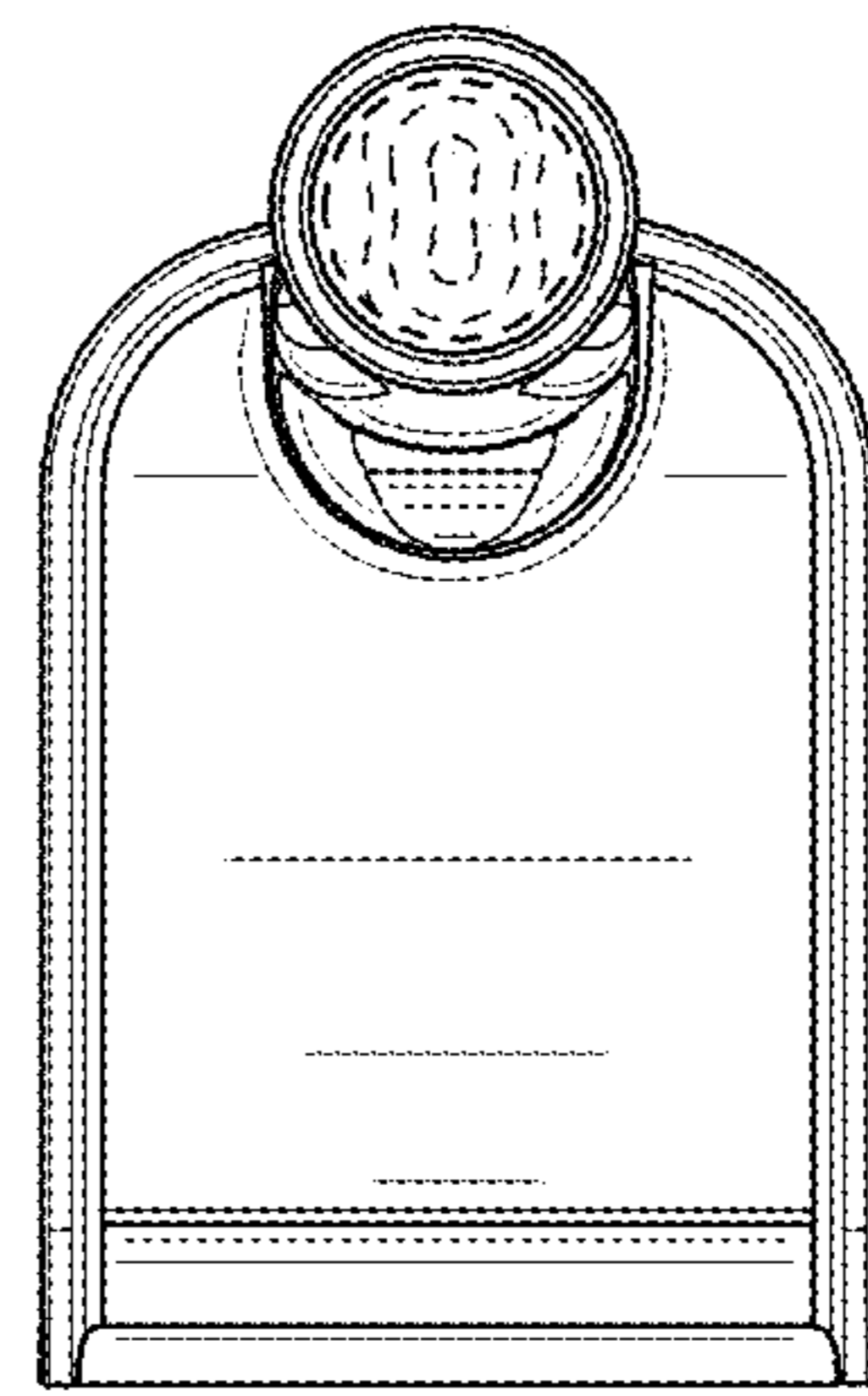


FIG. 3

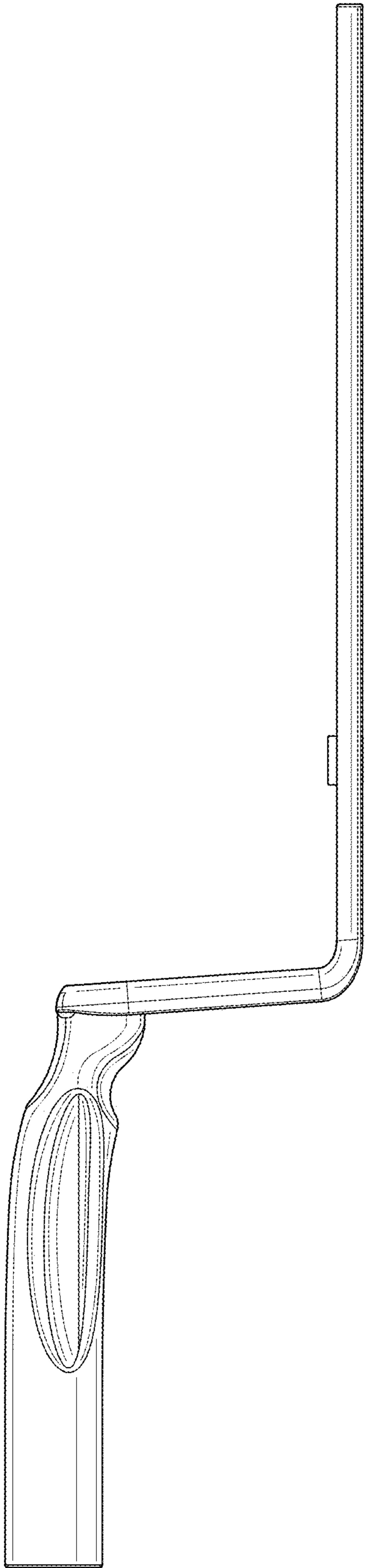


FIG. 4

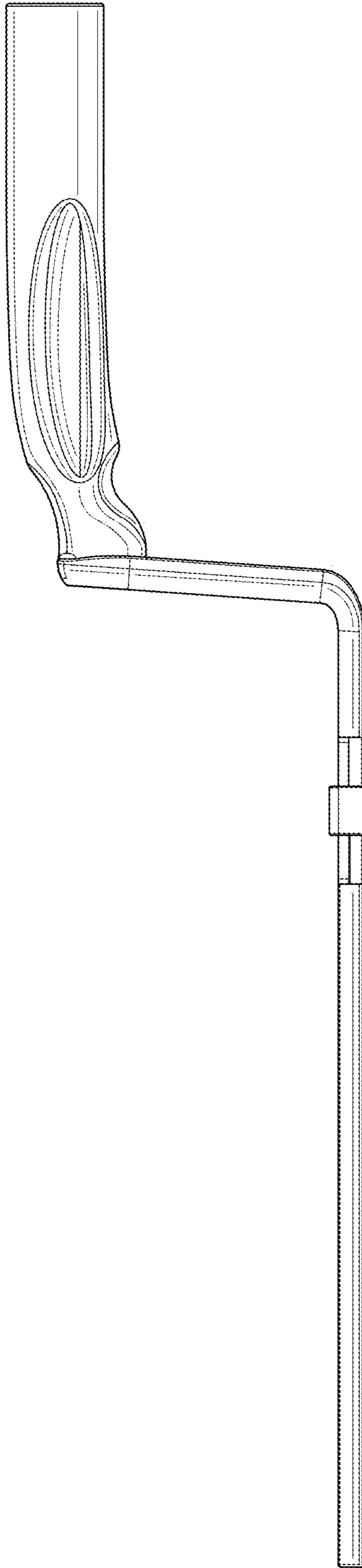


FIG. 5

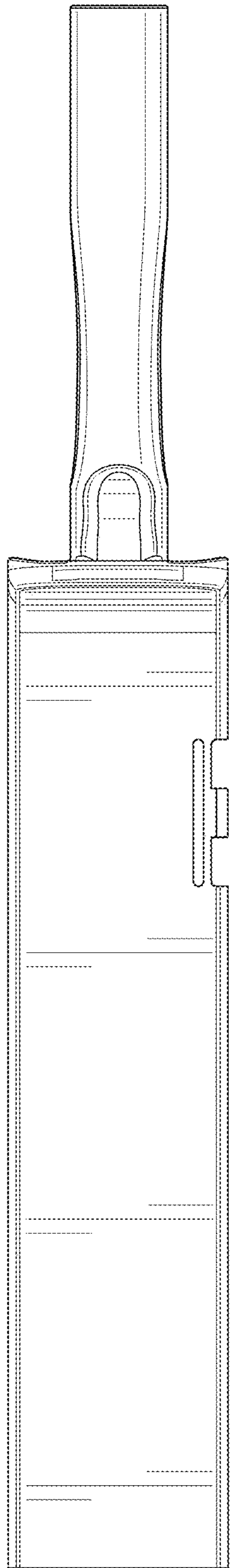


FIG. 6

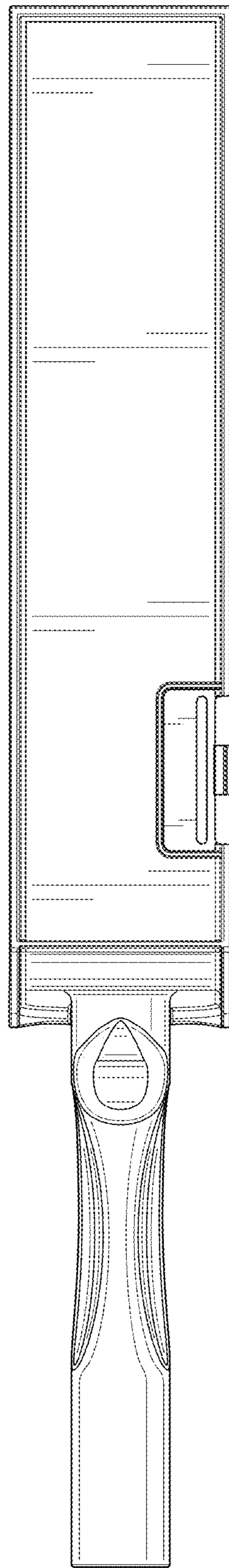


FIG. 7

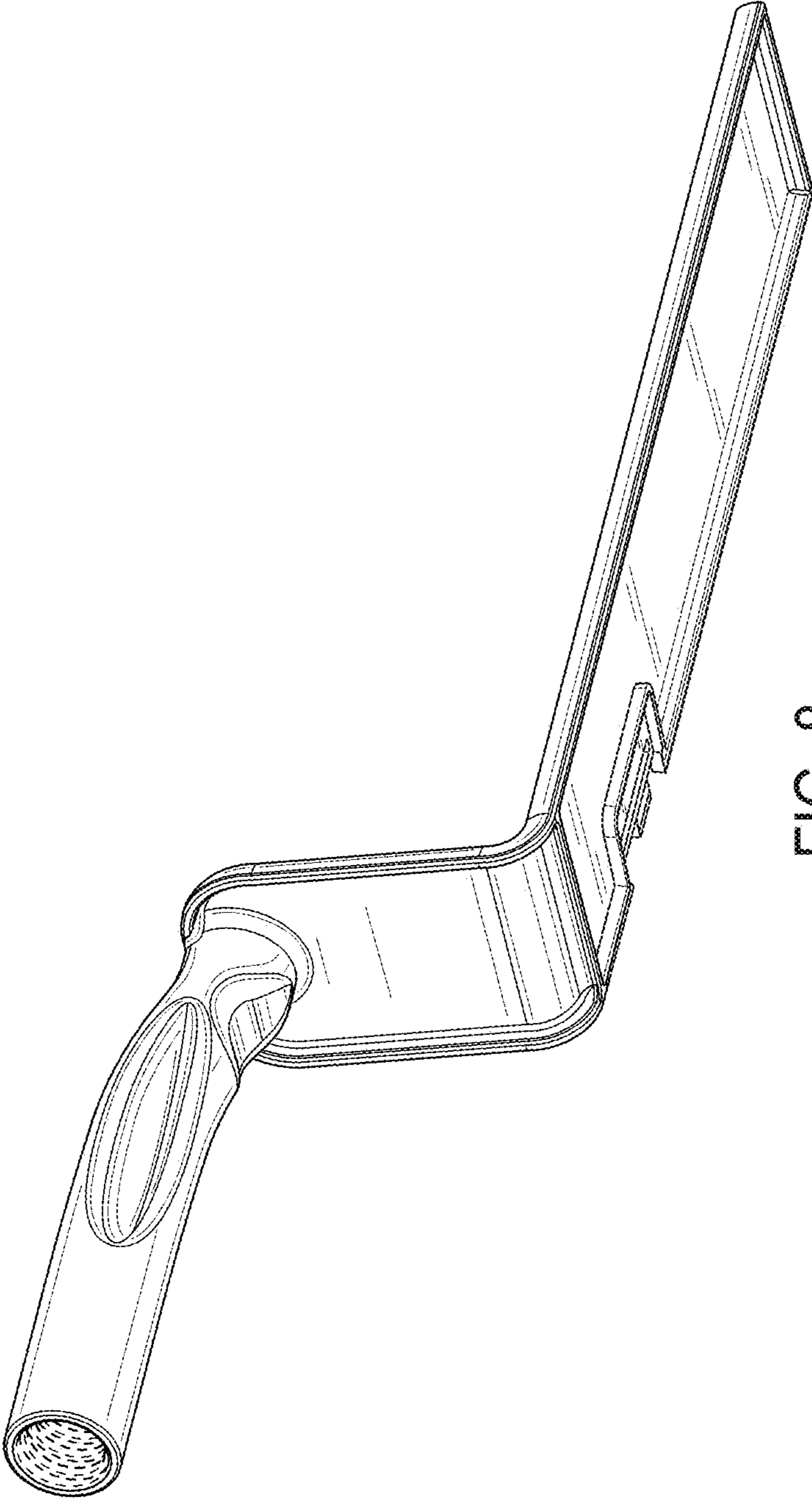


FIG. 8