



US00D948221S

(12) **United States Design Patent**  
**Bailey**

(10) **Patent No.:** **US D948,221 S**

(45) **Date of Patent:** **\*\* Apr. 12, 2022**

(54) **BRUSH**

(71) Applicant: **C Bailey Boys & Co. LLC**, Toledo, OH (US)

(72) Inventor: **Cynthia Bailey**, Toledo, OH (US)

(73) Assignee: **C Bailey Boys & Co. LLC**, Toledo, OH (US)

(\*\*) Term: **15 Years**

(21) Appl. No.: **29/739,874**

(22) Filed: **Jun. 30, 2020**

(51) **LOC (13) Cl.** ..... **04-99**

(52) **U.S. Cl.**  
USPC ..... **D4/134**

(58) **Field of Classification Search**  
USPC ..... D4/100-138; D30/158, 159; D8/80, 83  
CPC .... A46B 2200/1046; A46B 2200/1093; A46B 2200/3093; A46B 3/20; A01K 13/002  
See application file for complete search history.

(56) **References Cited**

**U.S. PATENT DOCUMENTS**

8,181,304 B1 *	5/2012	Kamath	.....	A46B 9/023
				15/160
D895,294 S *	9/2020	Xie	.....	D4/100
D906,678 S *	1/2021	Ge	.....	D4/100
D930,363 S *	9/2021	Xu	.....	D4/100
2008/0017217 A1 *	1/2008	Leung	.....	A45D 20/525
				132/313
2021/0007458 A1 *	1/2021	Nilsen	.....	A45D 20/525
2021/0204668 A1 *	7/2021	To	.....	A46D 1/0238

**OTHER PUBLICATIONS**

Luxxii Brush, announced Sep. 2019 [online], [site visited Mar. 5, 2021]. Available from internet, URL: [https://www.amazon.com/Luxxii-Plastic-Bristles-Brushes-Designed/dp/B072JN8BND/ref=sr\\_1\\_26?dchild=1&keywords=plastic+hair+brush&qid=1632328042&sr=8-26](https://www.amazon.com/Luxxii-Plastic-Bristles-Brushes-Designed/dp/B072JN8BND/ref=sr_1_26?dchild=1&keywords=plastic+hair+brush&qid=1632328042&sr=8-26) (Year: 2019).\*

\* cited by examiner

*Primary Examiner* — Cynthia Ramirez

*Assistant Examiner* — Tamara L Hahn

(74) *Attorney, Agent, or Firm* — MacMillan, Sobanski & Todd, LLC

(57) **CLAIM**

I claim the ornamental design for a brush, as shown and described.

**DESCRIPTION**

FIG. 1 is a right side rear perspective view of the brush showing my new design.

FIG. 2 is a bottom view of the brush illustrated in FIG. 1.

FIG. 3 is a top plan view of the brush illustrated in FIG. 1.

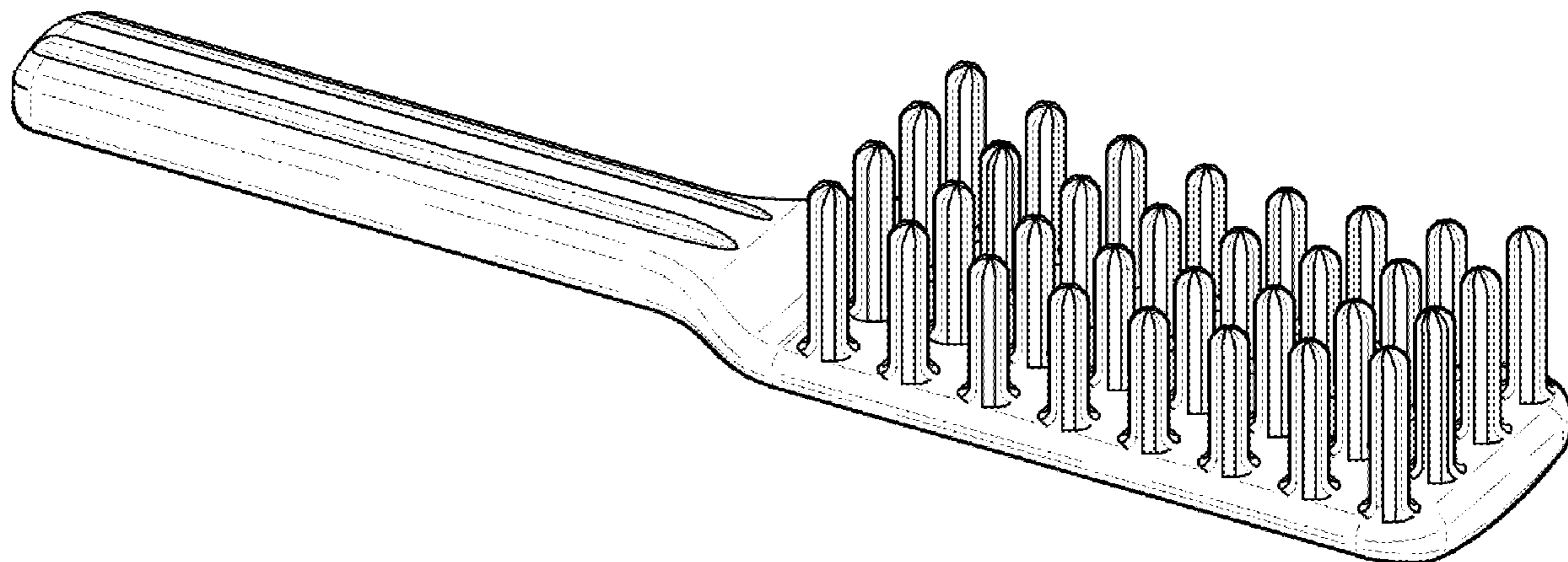
FIG. 4 is a right elevation view of the brush illustrated in FIG. 1.

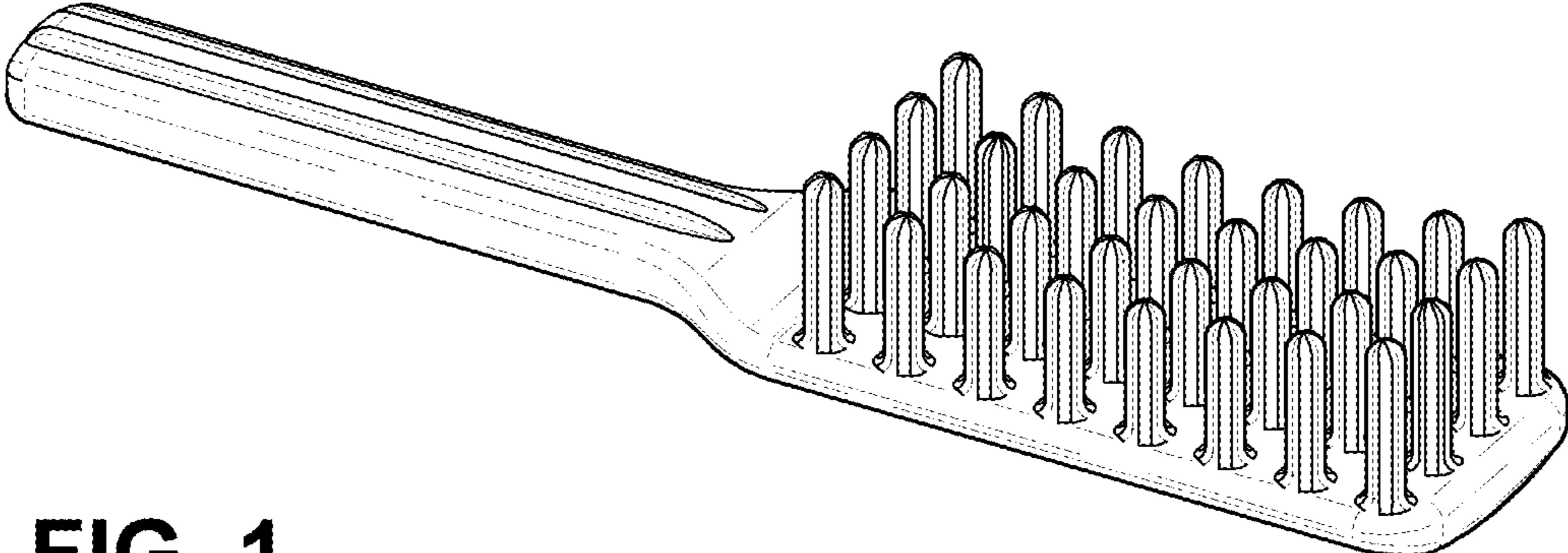
FIG. 5 is a left elevation view of the brush illustrated in FIG. 1.

FIG. 6 is a front elevation view of the brush illustrated in FIG. 1; and,

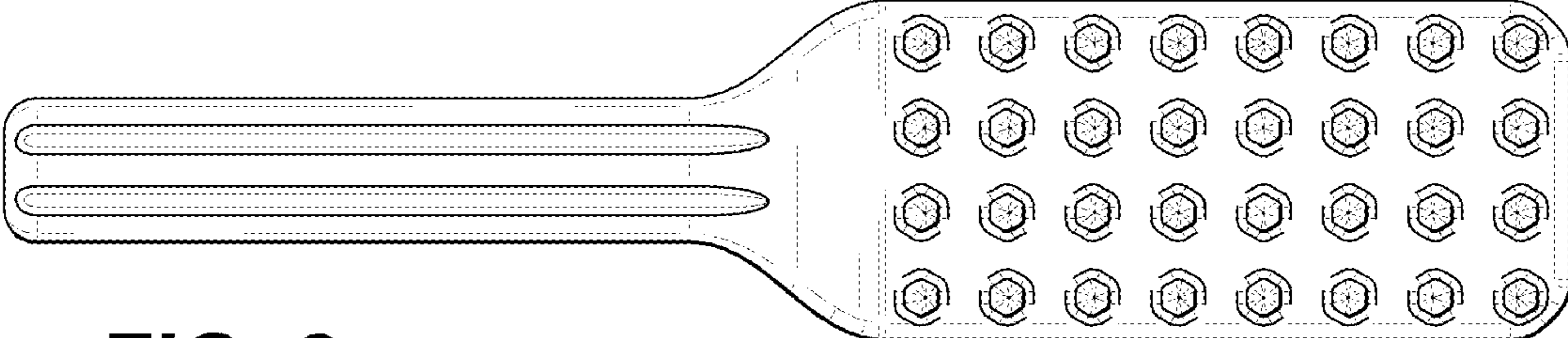
FIG. 7 is a rear elevation view of the brush illustrated in FIG. 1.

**1 Claim, 2 Drawing Sheets**

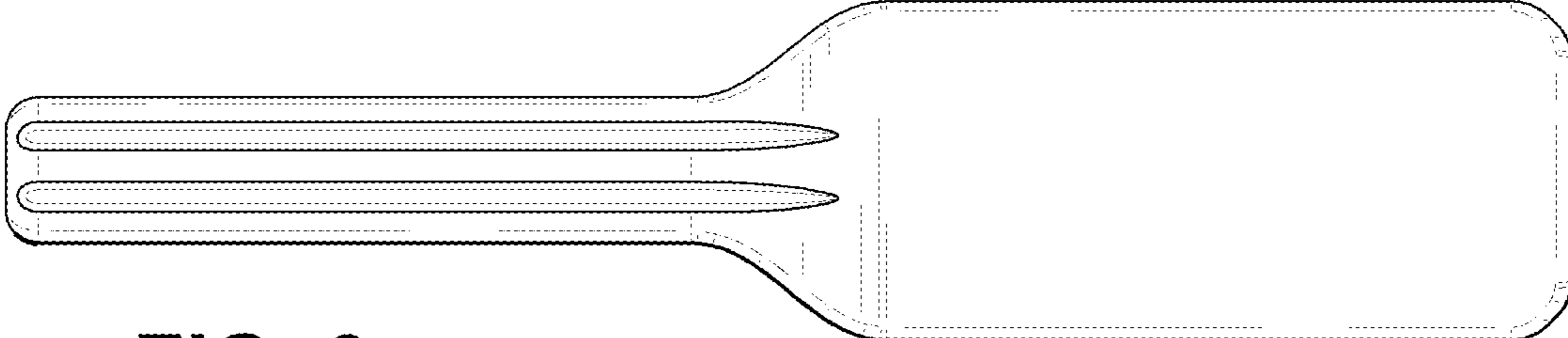




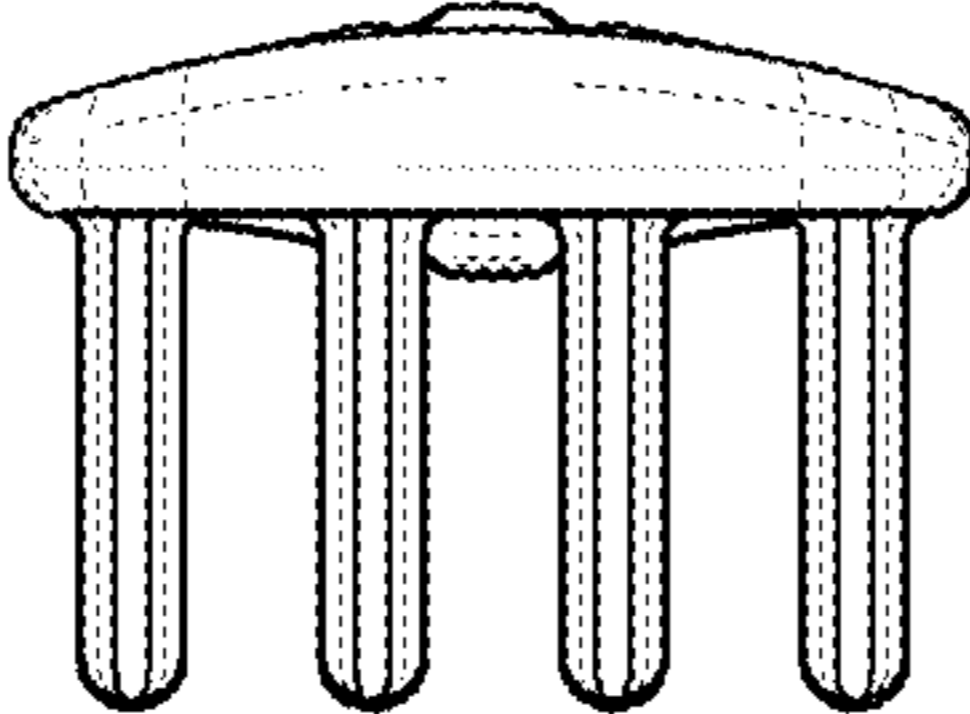
**FIG. 1**



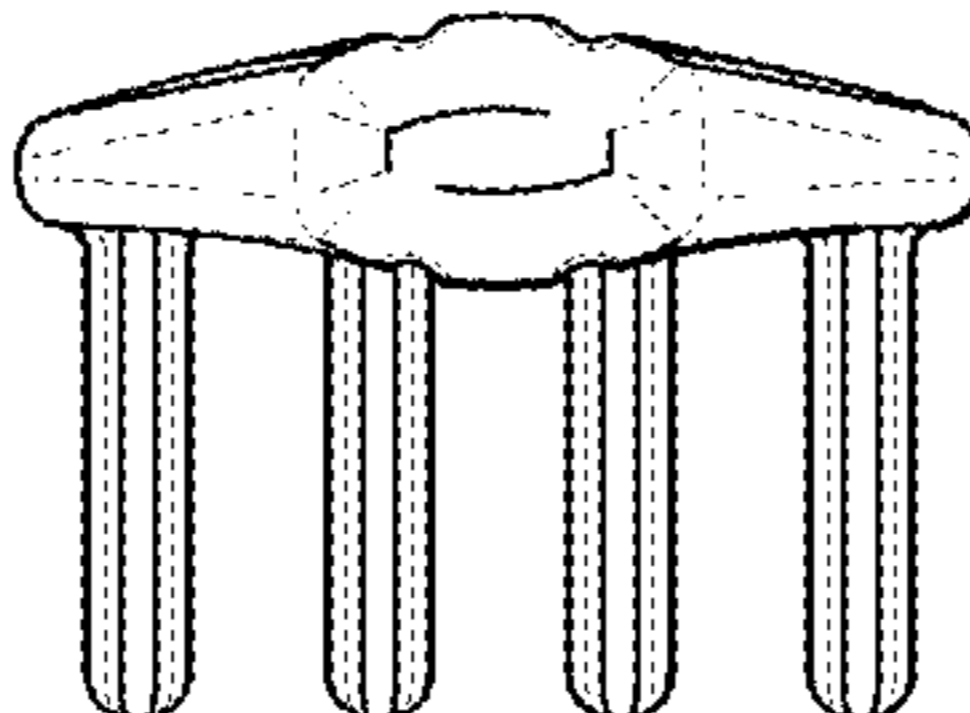
**FIG. 2**



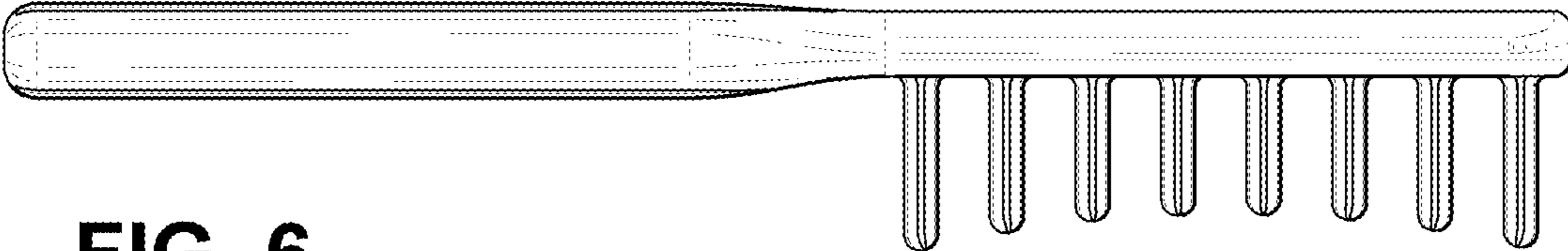
**FIG. 3**



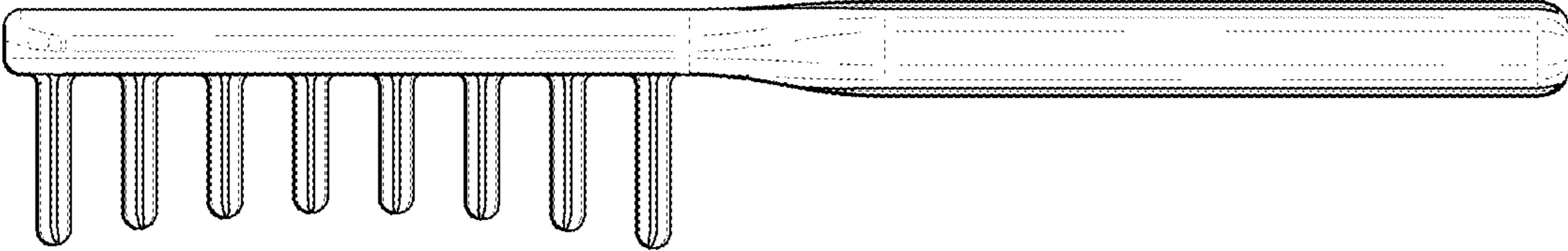
**FIG. 4**



**FIG. 5**



**FIG. 6**



**FIG. 7**