



US00D948214S

(12) **United States Design Patent**  
**Wallace et al.**

(10) **Patent No.:** **US D948,214 S**  
(45) **Date of Patent:** **\*\* Apr. 12, 2022**

(54) **LOCKABLE BAG**

(71) Applicant: **Cartwright, Inc.**, Chatham, NJ (US)

(72) Inventors: **Janine Wallace**, Chatham, NJ (US);  
**Richard Wallace**, Chatham, NJ (US)

(\*\*) Term: **15 Years**

(21) Appl. No.: **29/710,847**

(22) Filed: **Oct. 25, 2019**

(51) **LOC (13) Cl.** ..... **03-01**

(52) **U.S. Cl.**

USPC ..... **D3/301**

(58) **Field of Classification Search**

USPC ..... D3/203.1, 203.2, 203.5, 203.6, 206, 254,  
D3/263, 267, 268, 273, 276, 279,  
D3/281-283, 286, 289-291, 293, 294,  
D3/299-301, 303, 321, 902, 232, 233,  
D3/245; D7/602, 629; D27/183, 185,  
D27/186, 189, 191; D99/28, 43  
CPC ..... B62K 23/02; B62K 3/002; A45C 3/22;  
A45C 3/02; A45C 2003/008; A45C 5/00;  
A45C 5/02; A45C 5/03; A45C 5/04;  
A45C 5/06; A45C 5/14; A45C 5/005;  
A45C 2005/032; A45C 2005/035; A45C  
2005/037; A45C 2005/142; A45C  
2005/148; A45C 7/00; A45C 7/0018;  
A45C 7/0036; A45C 9/00; A45C  
2009/005; A45C 2011/003; A45C 13/28;  
A45C 13/36; A45C 13/385; A45C  
13/1084; A45C 2200/15

See application file for complete search history.

(56) **References Cited**

**U.S. PATENT DOCUMENTS**

1,318,652 A \* 10/1919 Farkas ..... B65D 75/5877  
383/66  
D97,850 S \* 12/1935 Jones ..... D27/189  
D106,132 S \* 9/1937 Doppelt ..... D3/301  
D109,553 S \* 5/1938 Doppelt ..... D3/289

D112,723 S \* 12/1938 Schmidt ..... D3/301  
D115,805 S \* 7/1939 Wright ..... D3/301  
D238,621 S \* 1/1976 Workman ..... D3/289  
D278,763 S \* 5/1985 Allen ..... D3/283  
D281,121 S \* 10/1985 Cunliffe ..... D3/208

(Continued)

**FOREIGN PATENT DOCUMENTS**

CN 305410667 \* 11/2019  
KR 300629061.0000 \* 1/2012  
KR 300753258.0000 \* 7/2014

**OTHER PUBLICATIONS**

Men Clutch Bag Leather Business Code Lock Wallet, first available Sep. 3, 2018, amazon.co.uk [online], [site visited Apr. 6, 2021], Available at internet URL: <https://www.amazon.co.uk/Clutch-Leather-Business-Handbag-Checkbook/dp/B07H2YY984> (Year: 2018).\*

(Continued)

*Primary Examiner* — Michelle E. Wilson

*Assistant Examiner* — Caitlin A Laverty

(74) *Attorney, Agent, or Firm* — Janine Geraigery, Esq

(57) **CLAIM**

The ornamental design for a lockable bag, substantially as shown and described.

**DESCRIPTION**

FIG. 1 is a front, top, and left side perspective view of a lockable bag;

FIG. 2 is a front elevation view thereof;

FIG. 3 is a rear elevation view thereof;

FIG. 4 is a left side elevation view thereof;

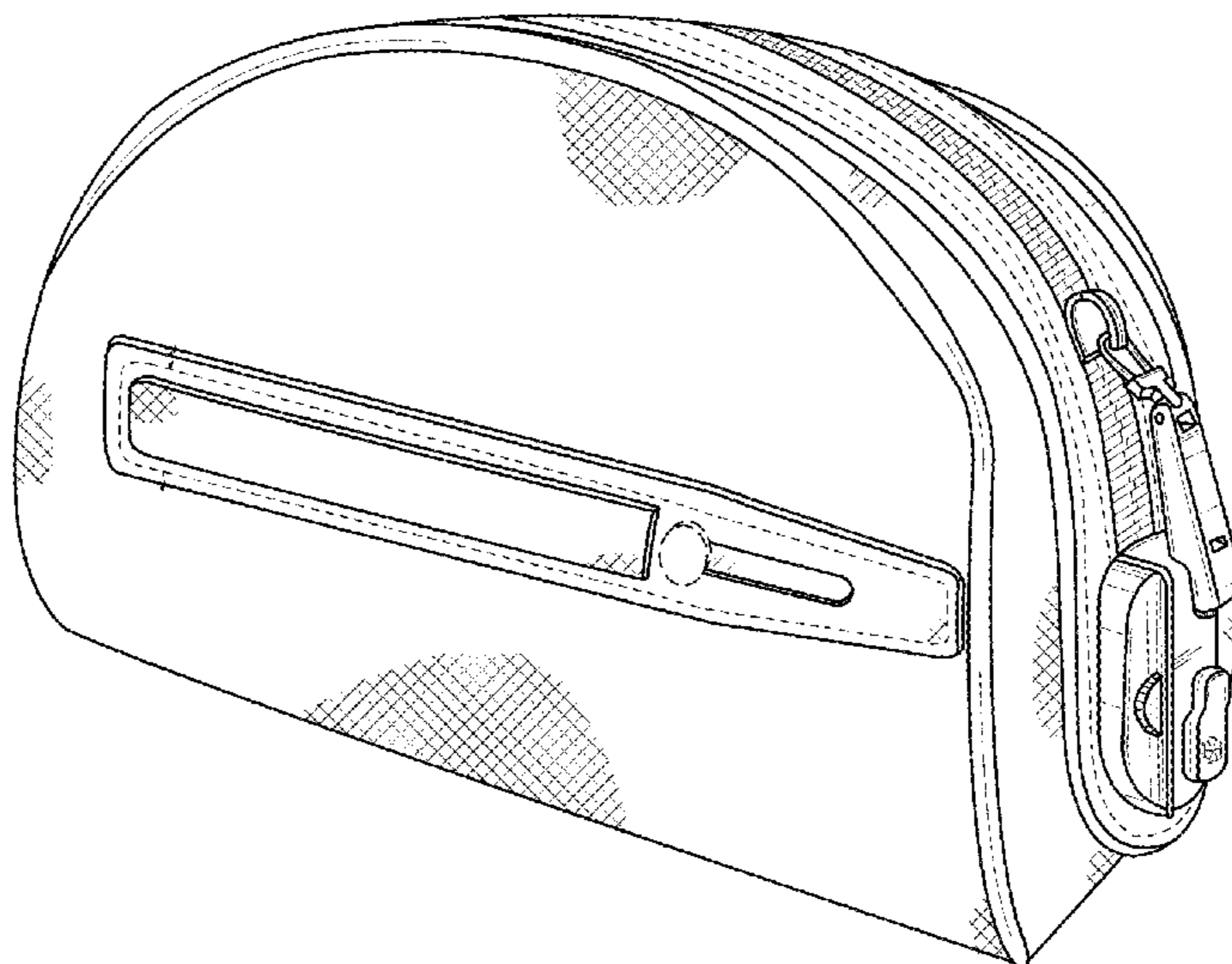
FIG. 5 is a right side elevation view thereof;

FIG. 6 is a top plan view thereof; and,

FIG. 7 is a bottom plan view thereof.

The broken lines shown in the drawings depict portions of the lockable bag and stitching that form no part of the claimed design.

**1 Claim, 7 Drawing Sheets**



(56)

**References Cited**

U.S. PATENT DOCUMENTS

D377,861	S *	2/1997	Jacober .....	D3/203.1
D423,675	S *	4/2000	Ramos, IV .....	D24/194
D451,279	S *	12/2001	Chin .....	D3/301
7,152,737	B2 *	12/2006	Chin .....	A45C 13/103 206/494
D610,800	S *	3/2010	Jusic .....	D3/226
D621,152	S *	8/2010	Lebow .....	D3/203.1
7,843,432	B2 *	11/2010	Sween .....	A45C 11/00 345/163
D629,195	S *	12/2010	Jusic .....	D3/273
D629,196	S *	12/2010	Jusic .....	D3/273
D719,346	S *	12/2014	Thomson .....	D3/206
D819,956	S *	6/2018	Woodard .....	D3/203.6
D840,676	S *	2/2019	Woodard .....	D3/203.6
D853,724	S *	7/2019	Shuai .....	D3/301
D857,375	S *	8/2019	Case .....	D3/205
D858,086	S *	9/2019	Case .....	D3/205
D872,871	S *	1/2020	Roberts .....	D24/217
D903,301	S *	12/2020	Chen .....	D3/206
D919,958	S *	5/2021	Peng .....	D3/206
D930,975	S *	9/2021	Huai .....	D3/206
D936,969	S *	11/2021	Lee .....	D3/301
D937,580	S *	12/2021	Huang .....	D3/301
2009/0301511	A1 *	12/2009	Vinci .....	B65D 81/3897 132/316

OTHER PUBLICATIONS

Vaultz Locking Zipper Pouch, first available Jun. 15, 2014, amazon.com [online], [site visited Apr. 6, 2021], Available at internet URL: <https://www.amazon.com/Vaultz-Locking-Zipper-Inches-VZ00471/dp/B00K0T3PEE> (Year: 2014).\*

\* cited by examiner

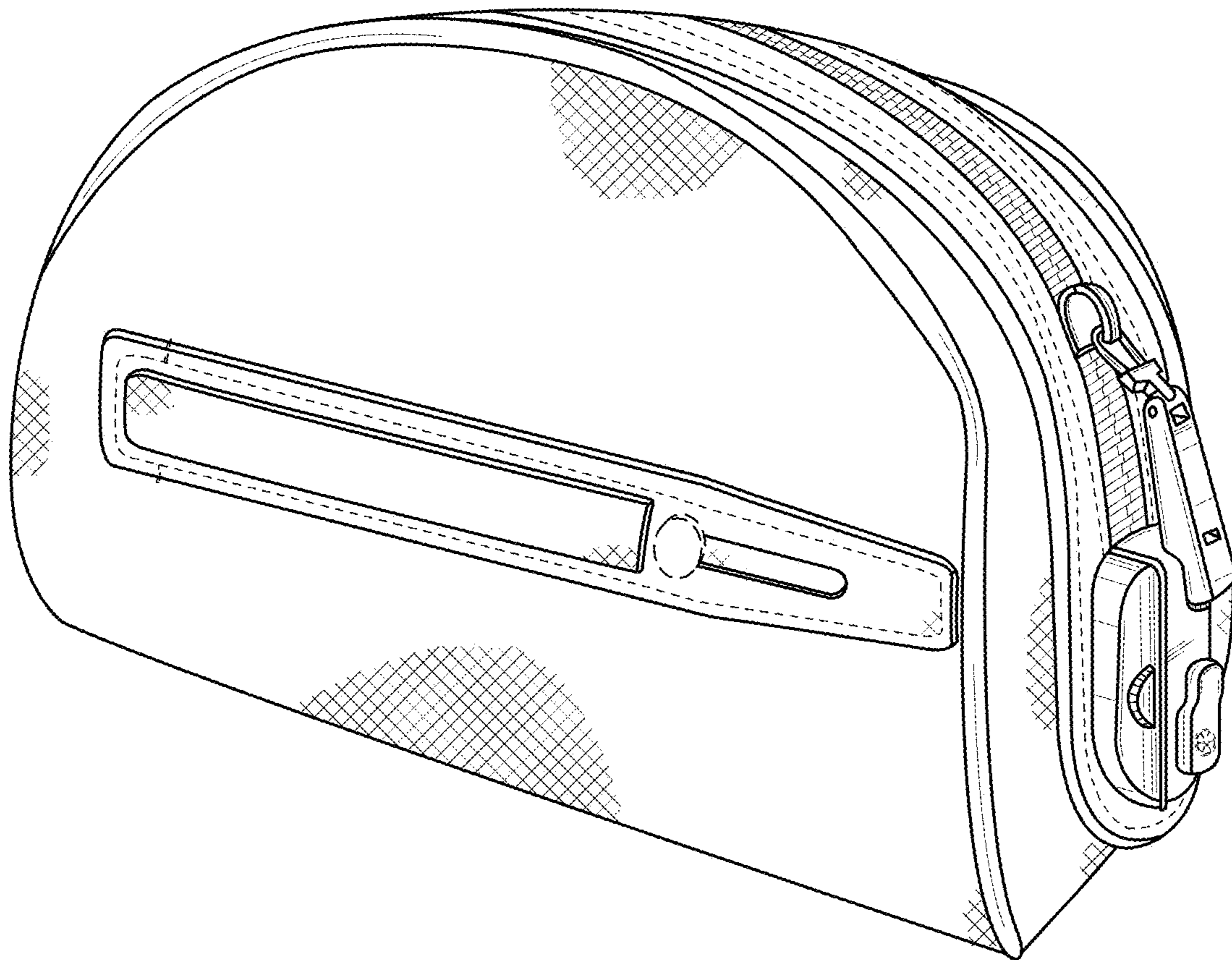


FIG. 1



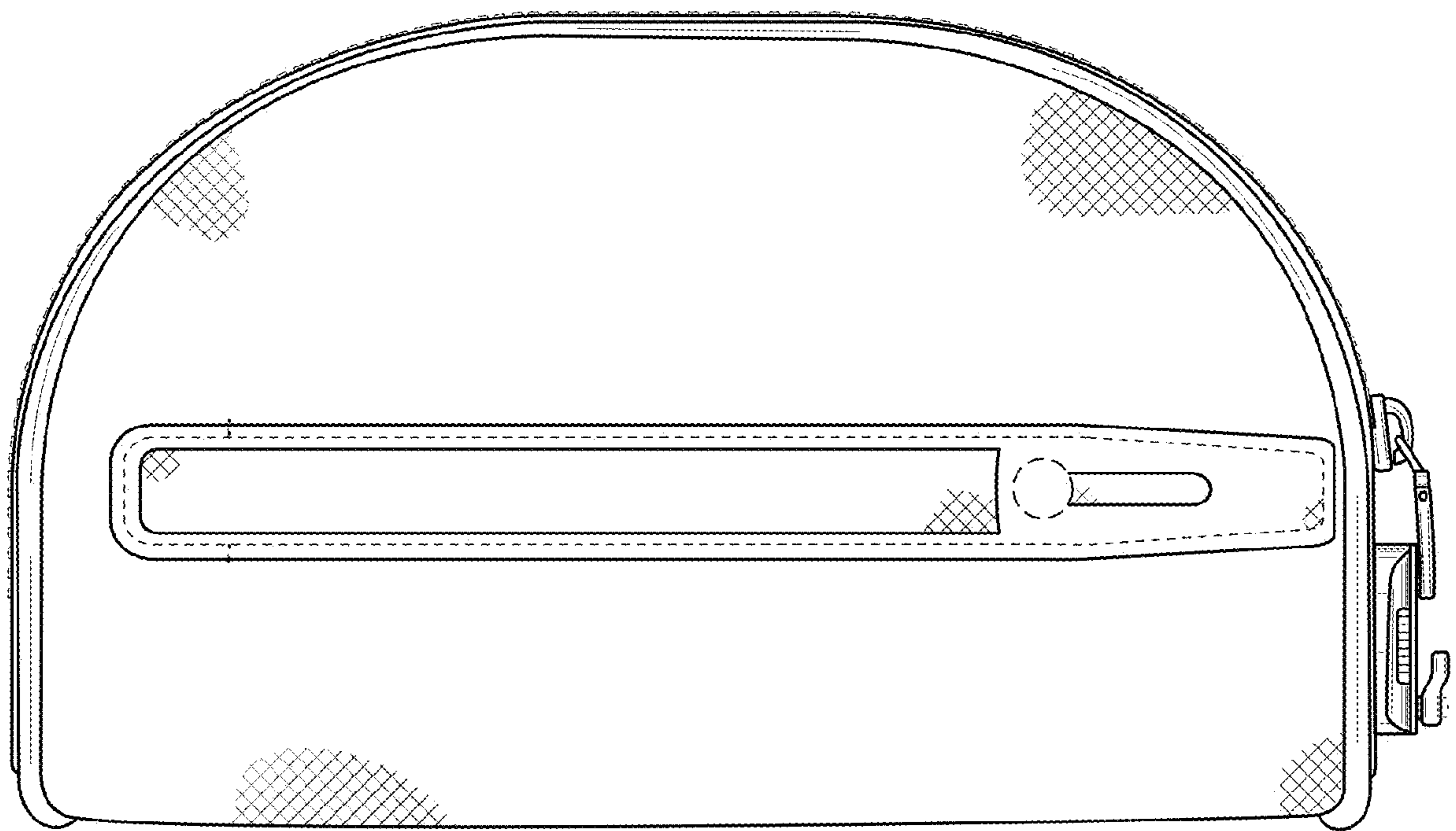


FIG. 2

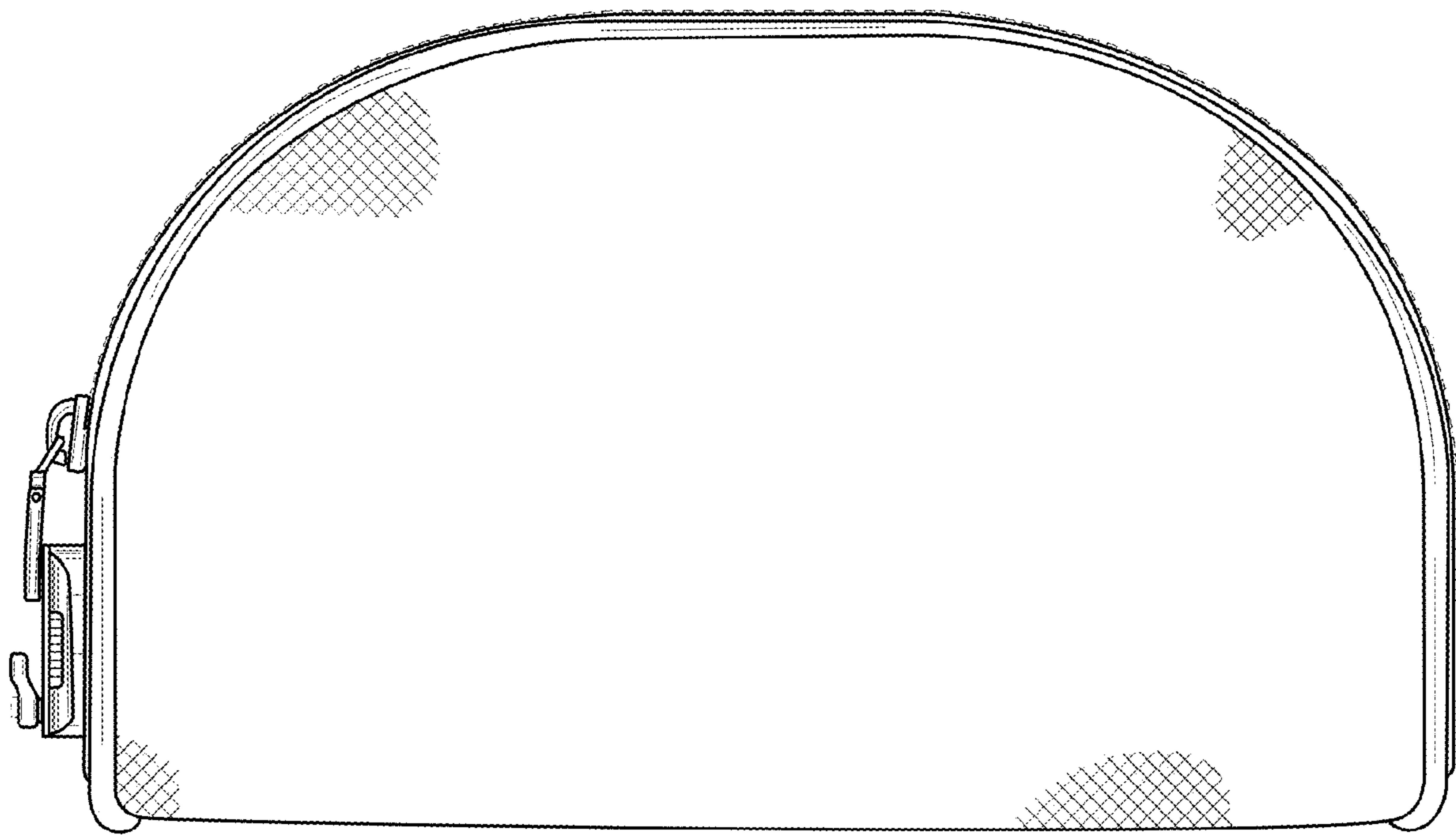


FIG. 3

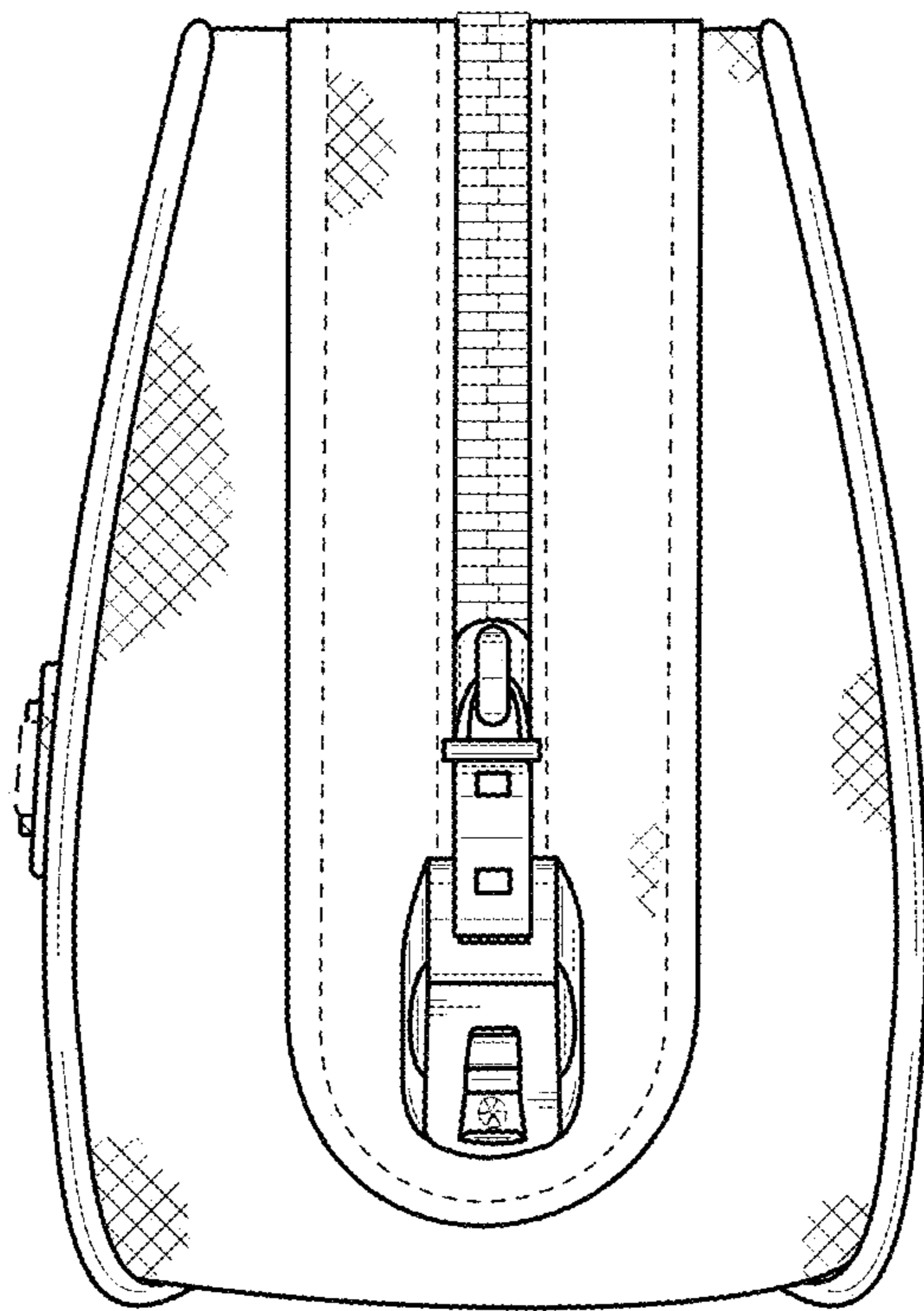


FIG. 4

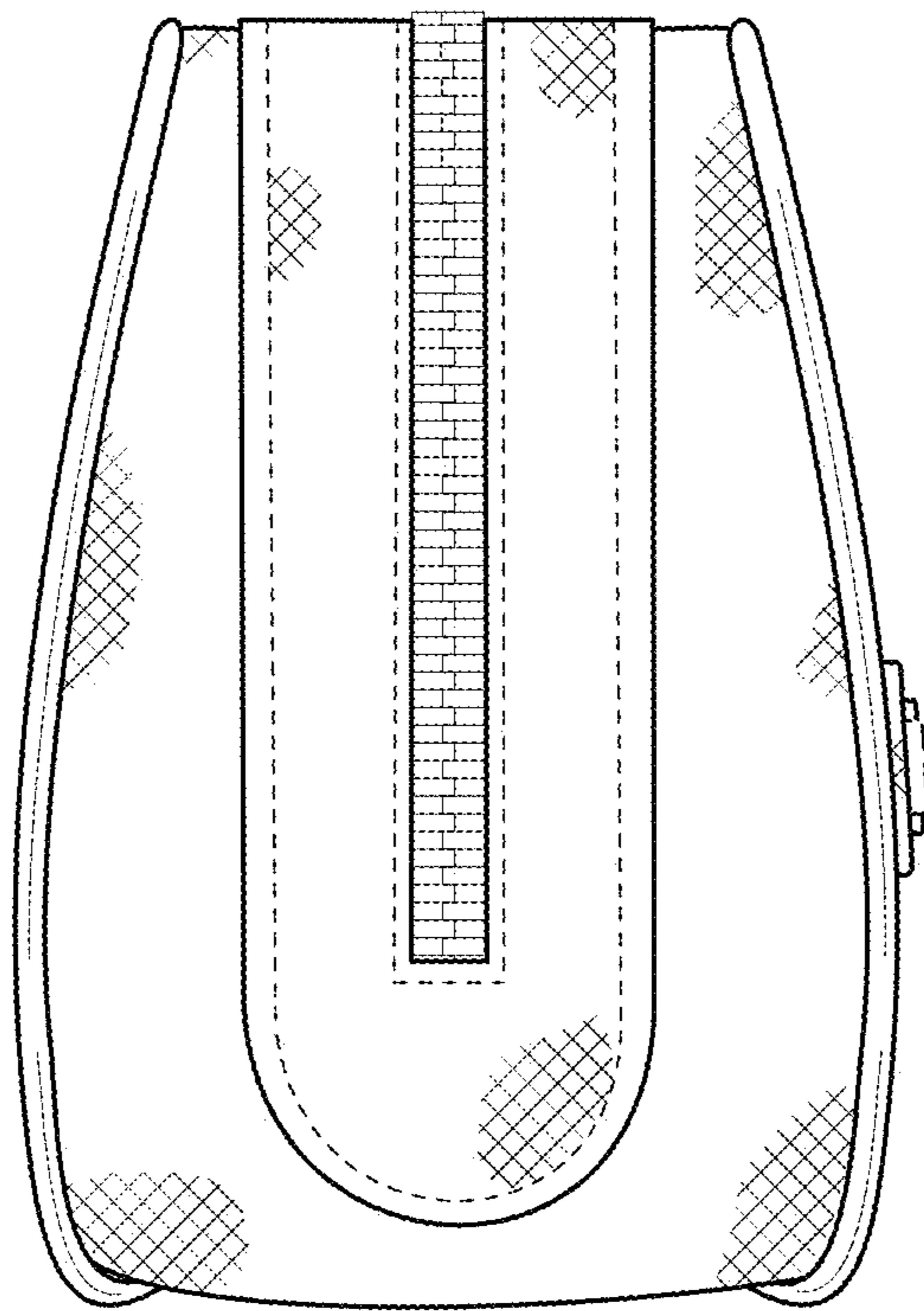


FIG. 5

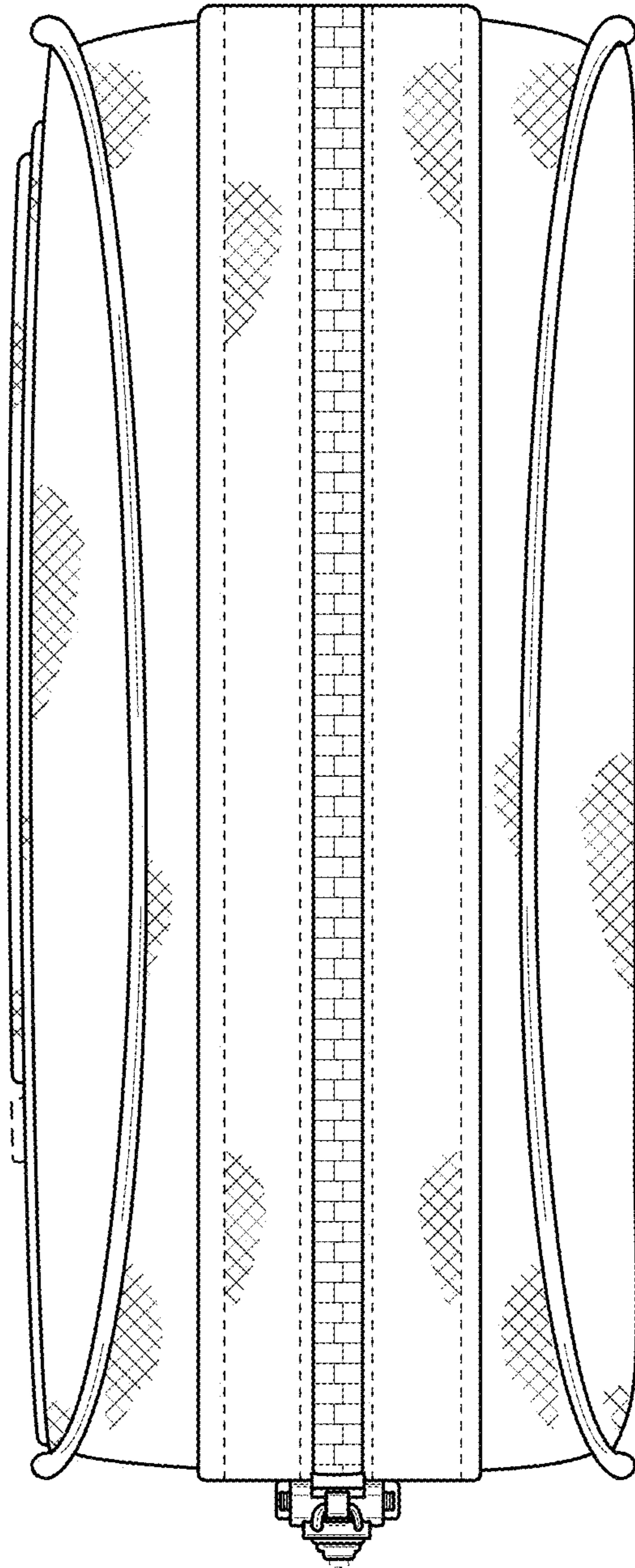


FIG. 6



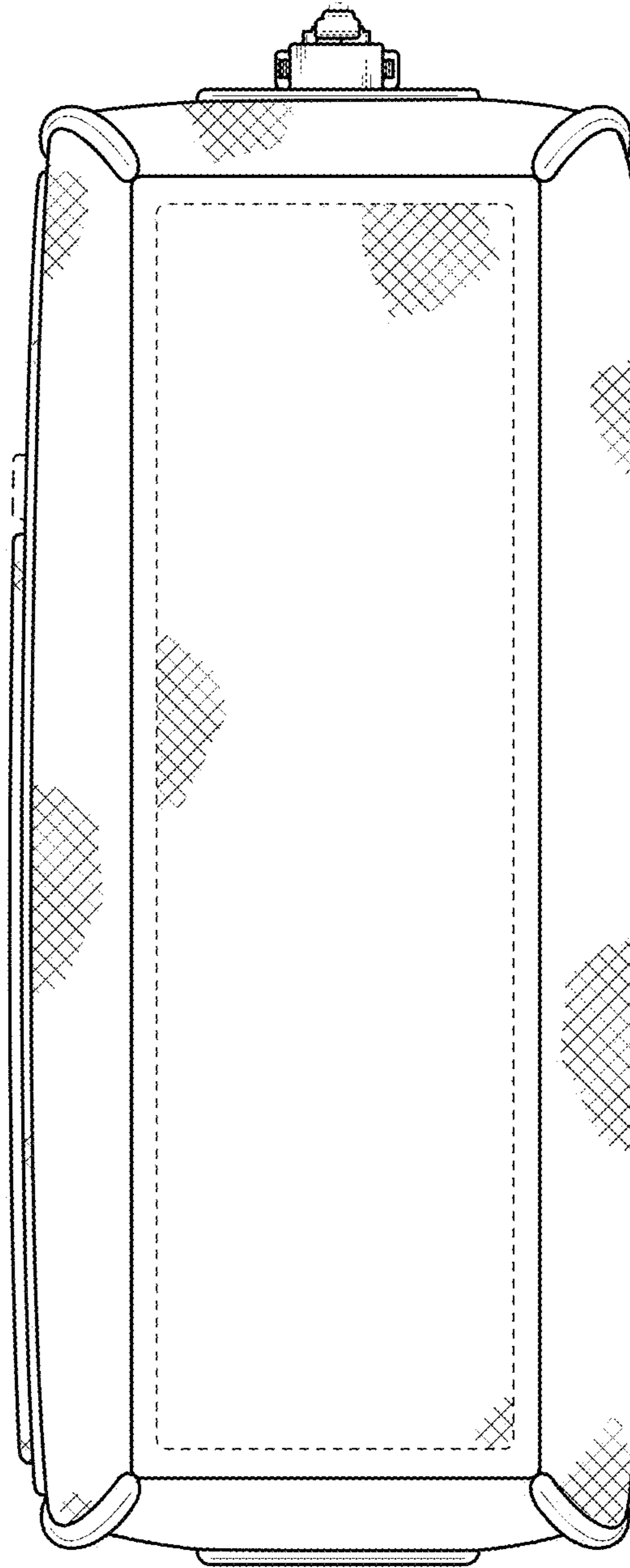


FIG. 7