



US00D948212S

(12) **United States Design Patent**  
**Chen**

(10) **Patent No.:** **US D948,212 S**

(45) **Date of Patent:** **\*\* Apr. 12, 2022**

(54) **CRATE**

(71) Applicant: **Top Goal Enterprise Limited,**  
Beaverton, OR (US)

(72) Inventor: **Tsan-Lung Chen,** New Taipei (TW)

(\*\*) Term: **15 Years**

(21) Appl. No.: **29/751,721**

(22) Filed: **Sep. 23, 2020**

(51) **LOC (13) Cl.** ..... **03-01**

(52) **U.S. Cl.**  
USPC ..... **D3/294; D3/905; D7/605**

(58) **Field of Classification Search**  
USPC ..... D3/905, 273, 276, 280, 282, 284, 294,  
D3/298, 302, 304, 272; D7/605

CPC ..... B25H 3/00; B25H 3/003; B25H 3/006;  
B25H 3/02; B25H 3/06

See application file for complete search history.

(56) **References Cited**

**U.S. PATENT DOCUMENTS**

D342,609 S *	12/1993	Brightbill	.....	D3/272
D904,129 S *	12/2020	Astle	.....	D7/605
D930,440 S *	9/2021	Astle	.....	D7/605
2014/0013789 A1 *	1/2014	Conrad	.....	A45C 15/00 62/331

**OTHER PUBLICATIONS**

Amazon, "Klein Tools 55600 Work Cooler . . .", First on sale Mar. 8, 2017. (<https://www.amazon.com/dp/B06XGJTTRY>) (Year: 2017).\*

Amazon, "Igloo BMX 25 QT Cooler . . .", First on sale Jun. 24, 2021. (<https://www.amazon.com/dp/B08B6GPZFX/>) (Year: 2021).\*

\* cited by examiner

*Primary Examiner* — April Rivas

(74) *Attorney, Agent, or Firm* — Schmeiser, Olsen & Watts LLP

(57) **CLAIM**

The ornamental design for the crate, as described and shown.

**DESCRIPTION**

FIG. 1 is a perspective view of a crate showing my new design;

FIG. 2 is a front view thereof;

FIG. 3 is a rear view thereof;

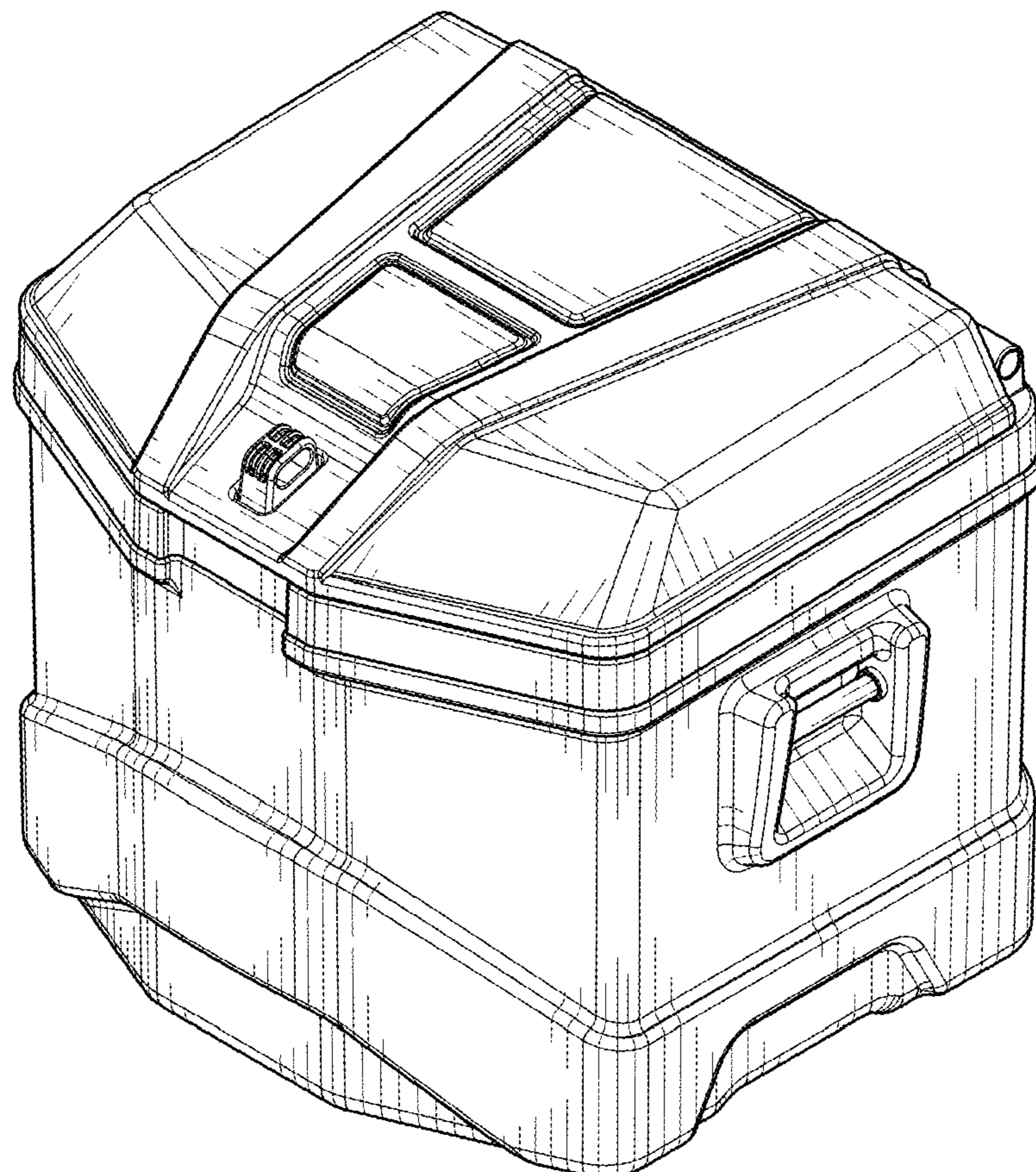
FIG. 4 is a left side view thereof;

FIG. 5 is a right side view thereof;

FIG. 6 is a top view thereof; and,

FIG. 7 is a bottom view thereof.

**1 Claim, 7 Drawing Sheets**





*FIG. 1*

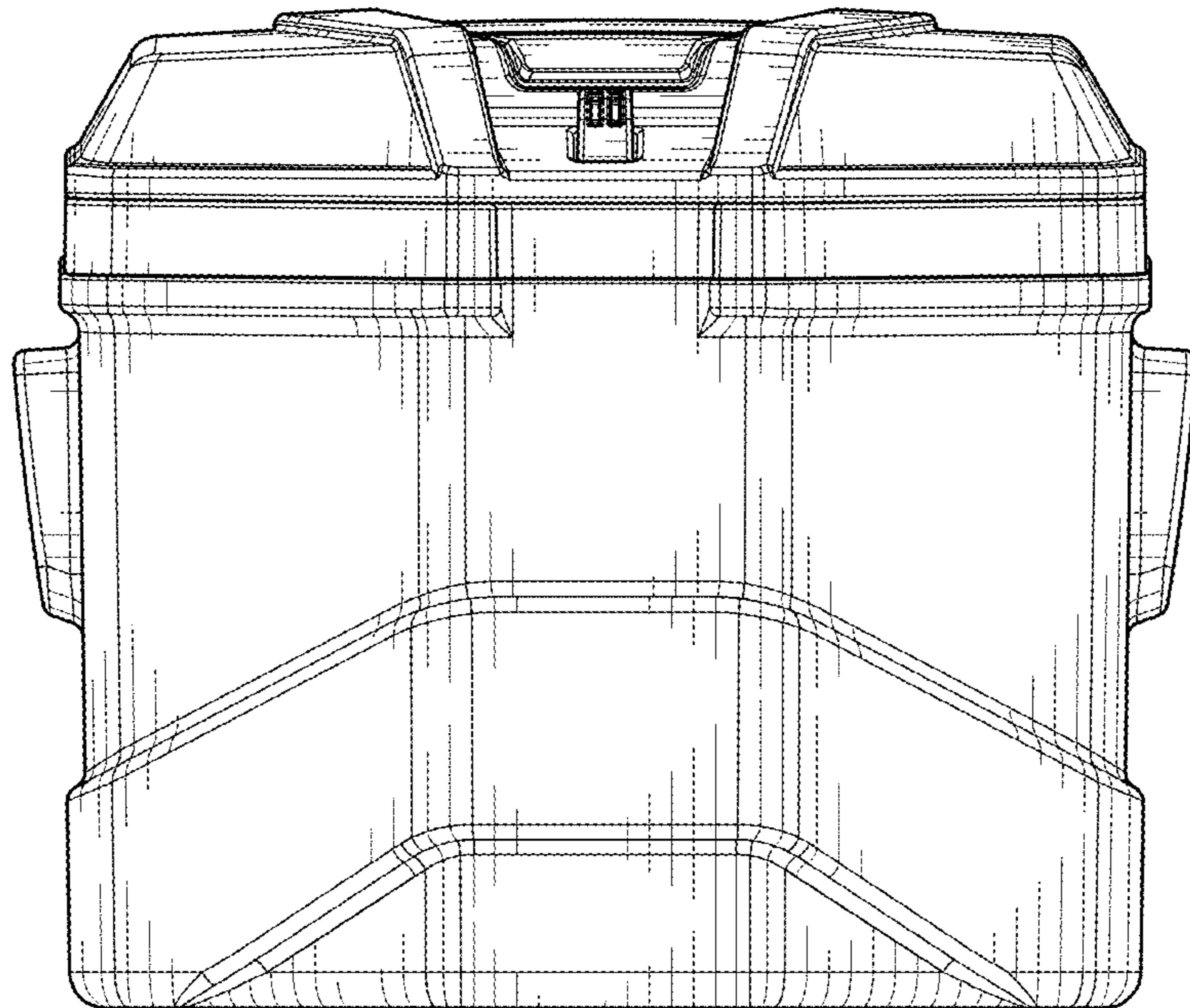
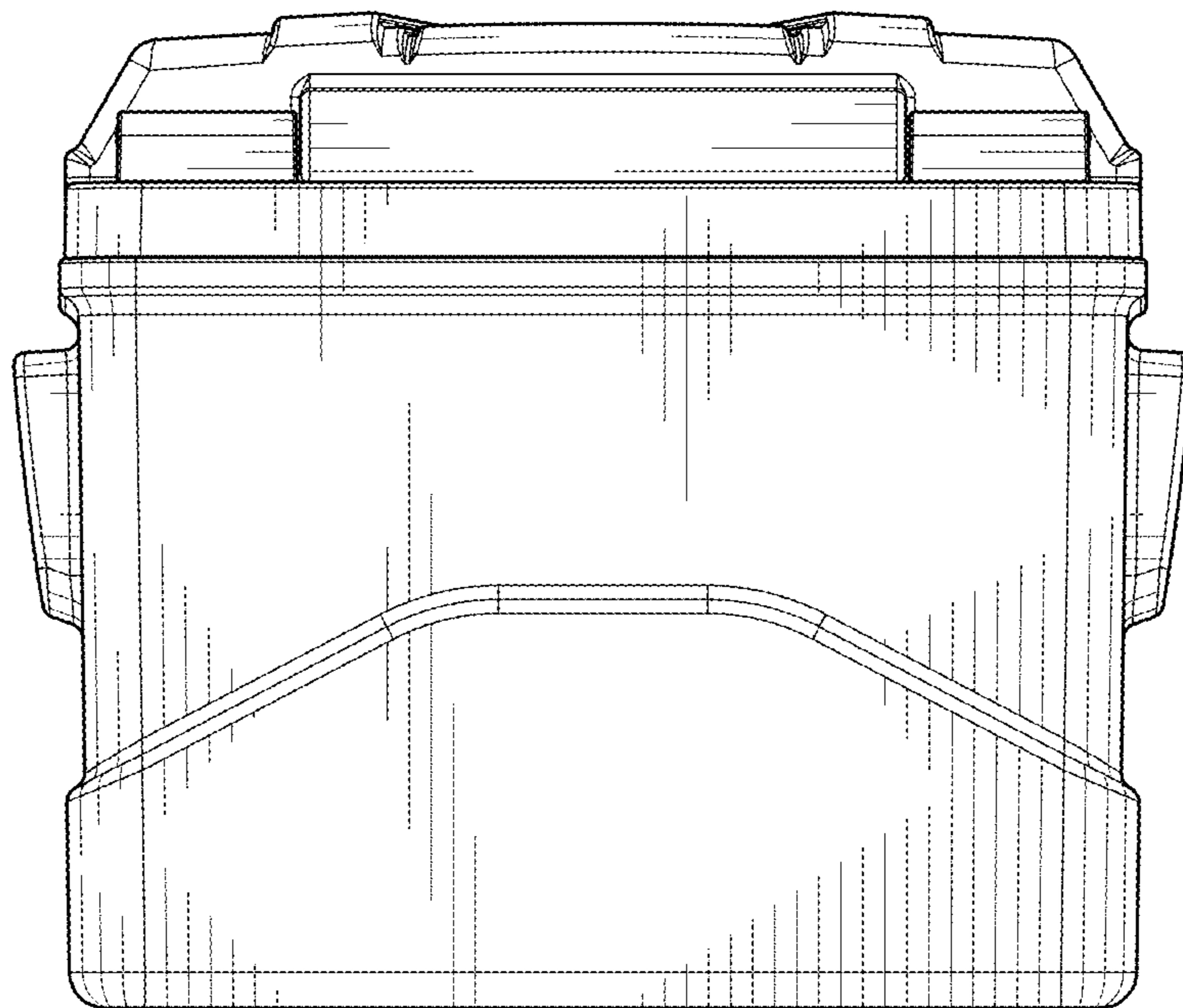
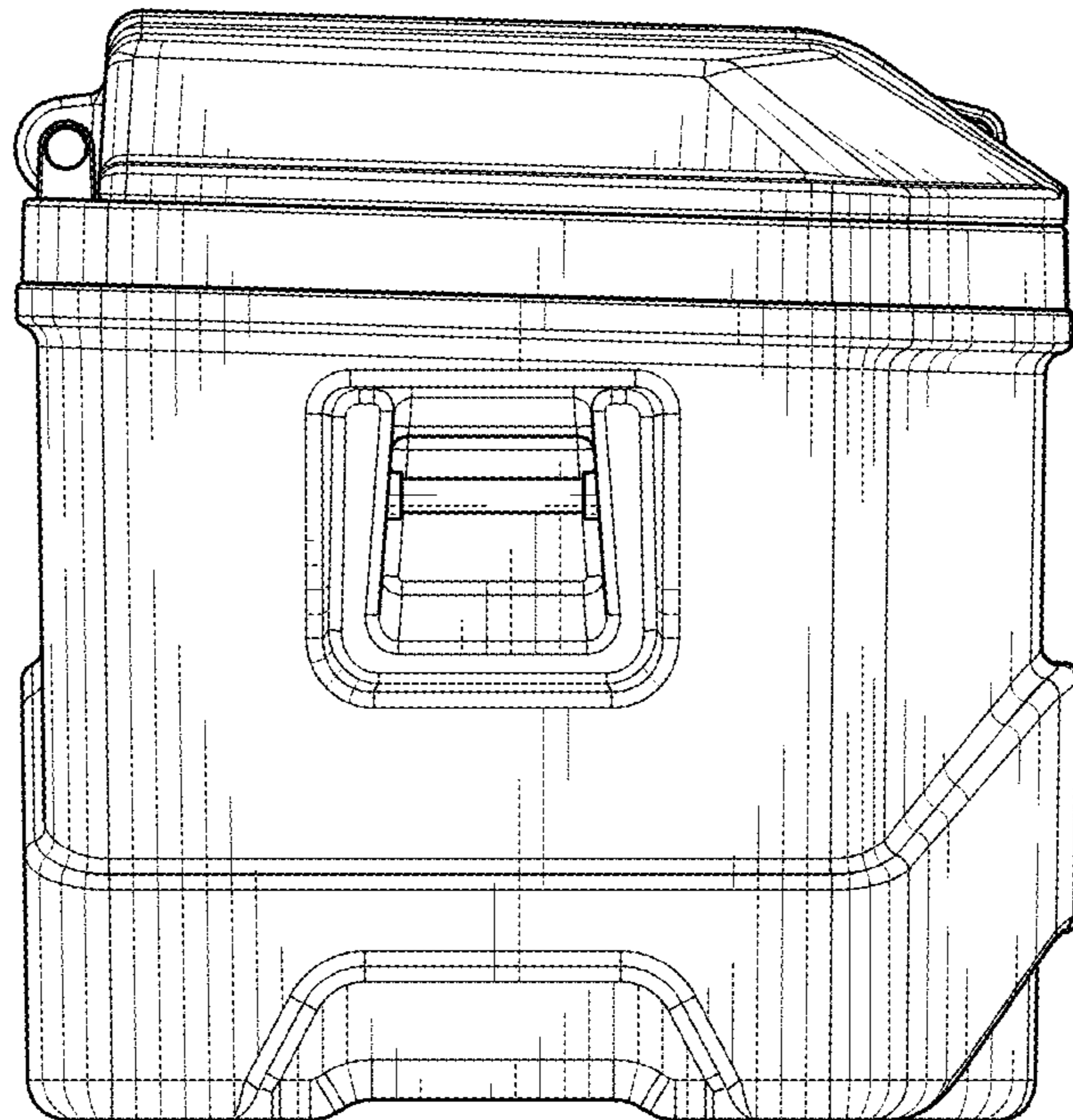


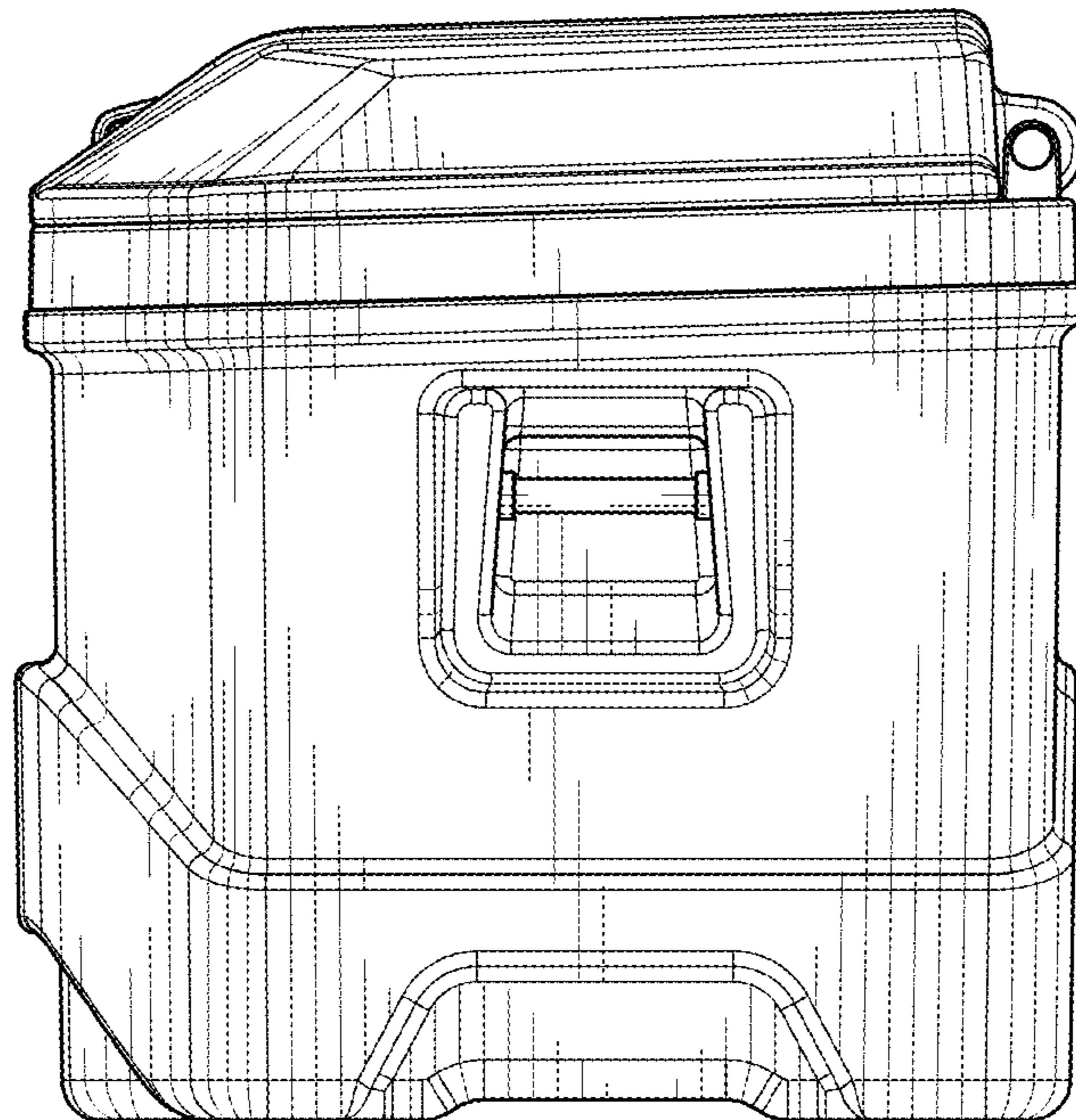
FIG. 2



*FIG. 3*



*FIG. 4*



*FIG. 5*

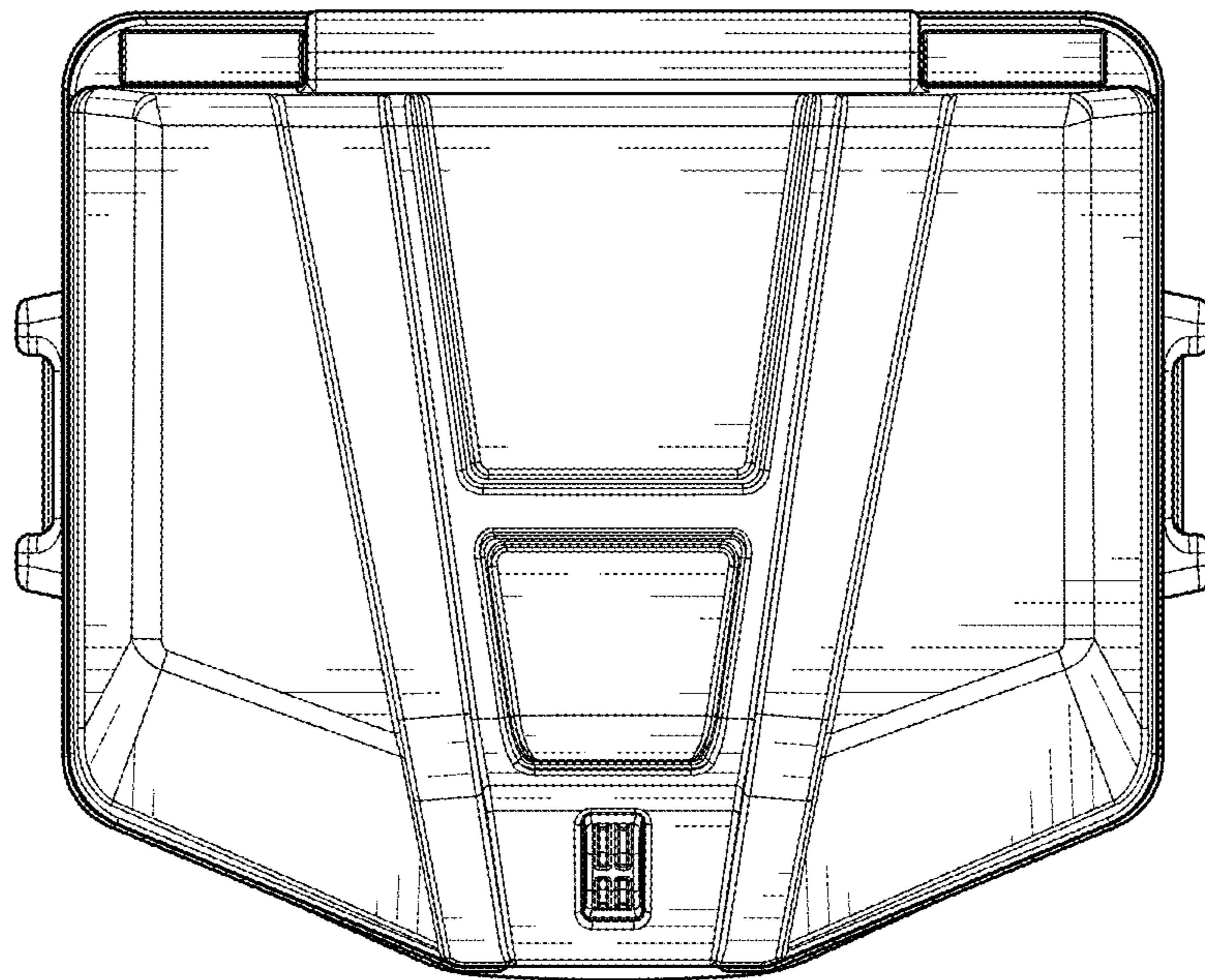


FIG. 6

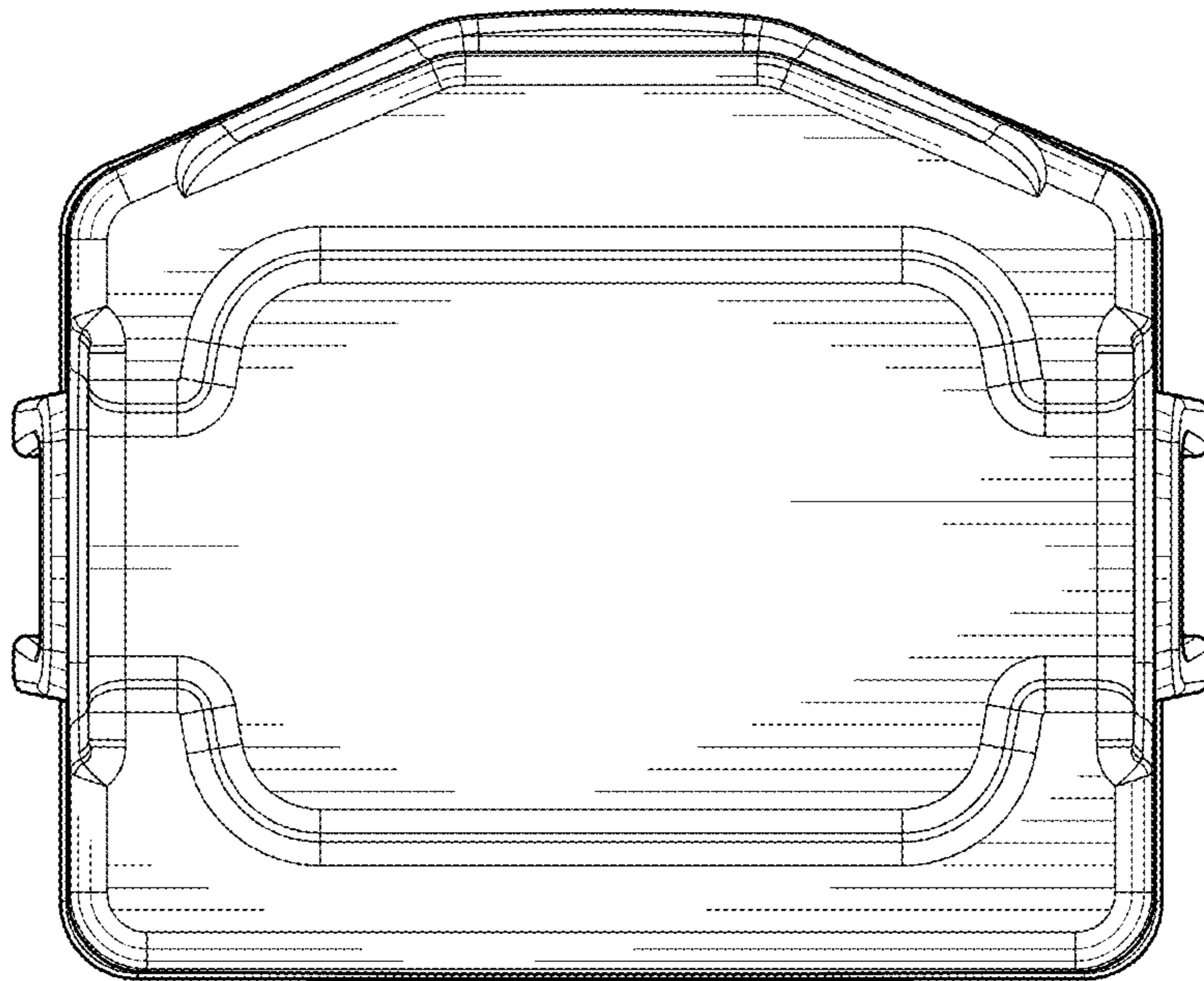


FIG. 7