



US00D948211S

(12) **United States Design Patent**
Wu et al.

(10) **Patent No.:** **US D948,211 S**
(45) **Date of Patent:** **** Apr. 12, 2022**

(54) **EARPHONE CASE**

(71) Applicants: **Anhui Huami Information Technology Co., Ltd.**, Hefei (CN); **Zepp, Inc.**, Cupertino, CA (US)

(72) Inventors: **Wei Wu**, Anhui (CN); **Pengtao Yu**, Cupertino, CA (US)

(73) Assignees: **Anhui Huami Information Technology Co., Ltd.**, Anhui (CN); **Zepp, Inc.**, Cupertino, CA (US)

(**) Term: **15 Years**

(21) Appl. No.: **29/734,819**

(22) Filed: **May 15, 2020**

(30) **Foreign Application Priority Data**

Nov. 20, 2019 (CN) 201930639991.1

(51) **LOC (13) Cl.** **03-01**

(52) **U.S. Cl.**
USPC **D3/294**

(58) **Field of Classification Search**
USPC D3/207, 212, 215, 218, 219, 266, 273,
D3/275, 294, 299, 300, 302, 313
(Continued)

(56) **References Cited**

U.S. PATENT DOCUMENTS

D365,483 S * 12/1995 Van Dyk D6/536
D586,557 S * 2/2009 Jalet D3/294
(Continued)

FOREIGN PATENT DOCUMENTS

CN 304454889 S 1/2018
CN 304930201 S 12/2018
(Continued)

Primary Examiner — Kevin K Rudzinski

Assistant Examiner — Amber J Rabie

(74) *Attorney, Agent, or Firm* — Young Basile Hanlon & MacFarlane, P.C.

(57) **CLAIM**

The ornamental design for an earphone case, as shown and described.

DESCRIPTION

FIG. 1 is a top, front, and right perspective view of the earphone case showing our new design, shown in a closed configuration.

FIG. 2 is a bottom, rear, and left perspective view of the earphone case of FIG. 1, shown in the closed configuration. FIG. 3 is a front view of the earphone case of FIG. 1, shown in the closed configuration.

FIG. 4 is a rear view of the earphone case of FIG. 1, shown in the closed configuration.

FIG. 5 is a left side view of the earphone case of FIG. 1, shown in the closed configuration.

FIG. 6 is a right side view of the earphone case of FIG. 1, shown in the closed configuration.

FIG. 7 is a top view of the earphone case of FIG. 1, shown in the closed configuration.

FIG. 8 is a bottom view of the earphone case of FIG. 1, shown in the closed configuration.

FIG. 9 is a top, front, and right perspective view of the earphone case of FIG. 1, shown in an open configuration.

FIG. 10 is a bottom, rear, and left perspective view of the earphone case of FIG. 1, shown in the open configuration.

FIG. 11 is a front view of the earphone case of FIG. 1, shown in the open configuration.

FIG. 12 is a rear view of the earphone case of FIG. 1, shown in the open configuration.

FIG. 13 is a left side view of the earphone case of FIG. 1, shown in the open configuration.

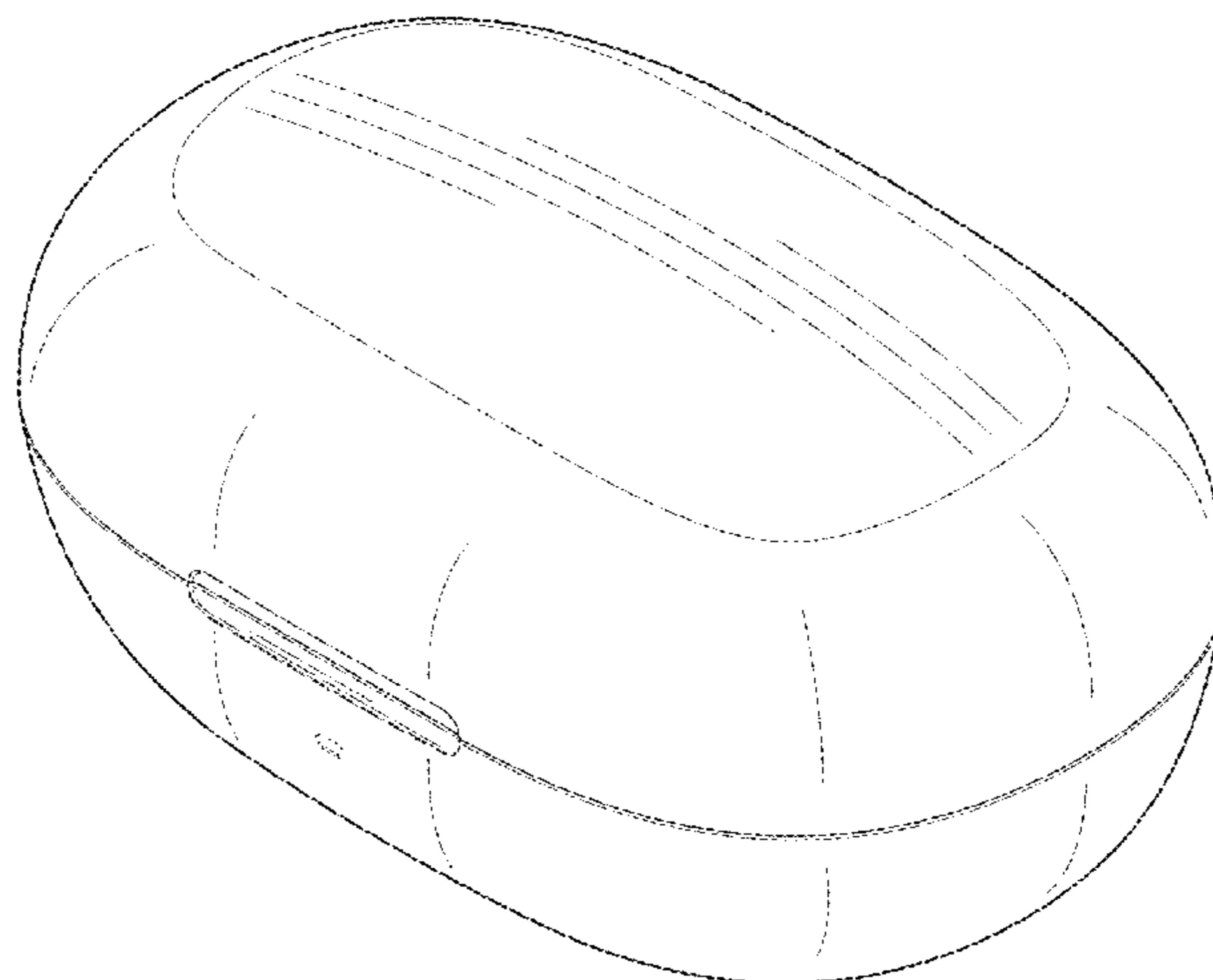
FIG. 14 is a right side view of the earphone case of FIG. 1, shown in the open configuration.

FIG. 15 is a top view of the earphone case of FIG. 1, shown in the open configuration; and,

FIG. 16 is a bottom view of the earphone case of FIG. 1, shown in the open configuration.

The ornamental design which is claimed is shown in solid lines in the drawings. The broken line showing in FIGS. 1-16 illustrates the environment, which forms no part of the claimed design. The shade lines in the figures show contour, not surface ornamentation and form no part of the claimed design.

1 Claim, 8 Drawing Sheets



(58) **Field of Classification Search**

CPC H04R 2460/17
See application file for complete search history.

(56) **References Cited**

U.S. PATENT DOCUMENTS

D841,580 S * 2/2019 Bao D13/108
D841,581 S * 2/2019 Bonahoom D13/108
D881,810 S * 4/2020 Zhang D13/108

FOREIGN PATENT DOCUMENTS

JP 1636317 S 7/2019
JP 1640958 S 9/2019
JP 1640963 S 9/2019
JP 1641799 S 9/2019

* cited by examiner

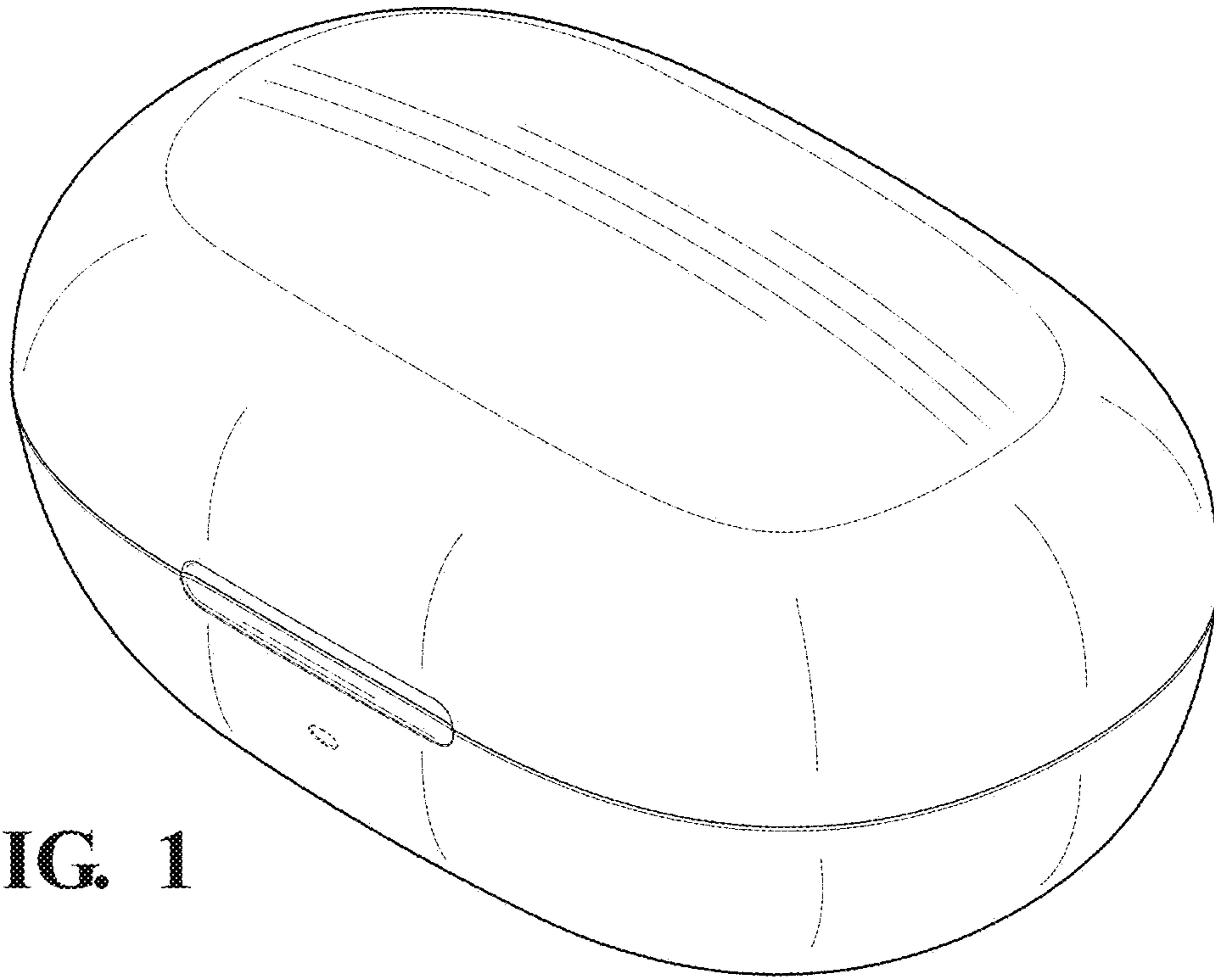


FIG. 1

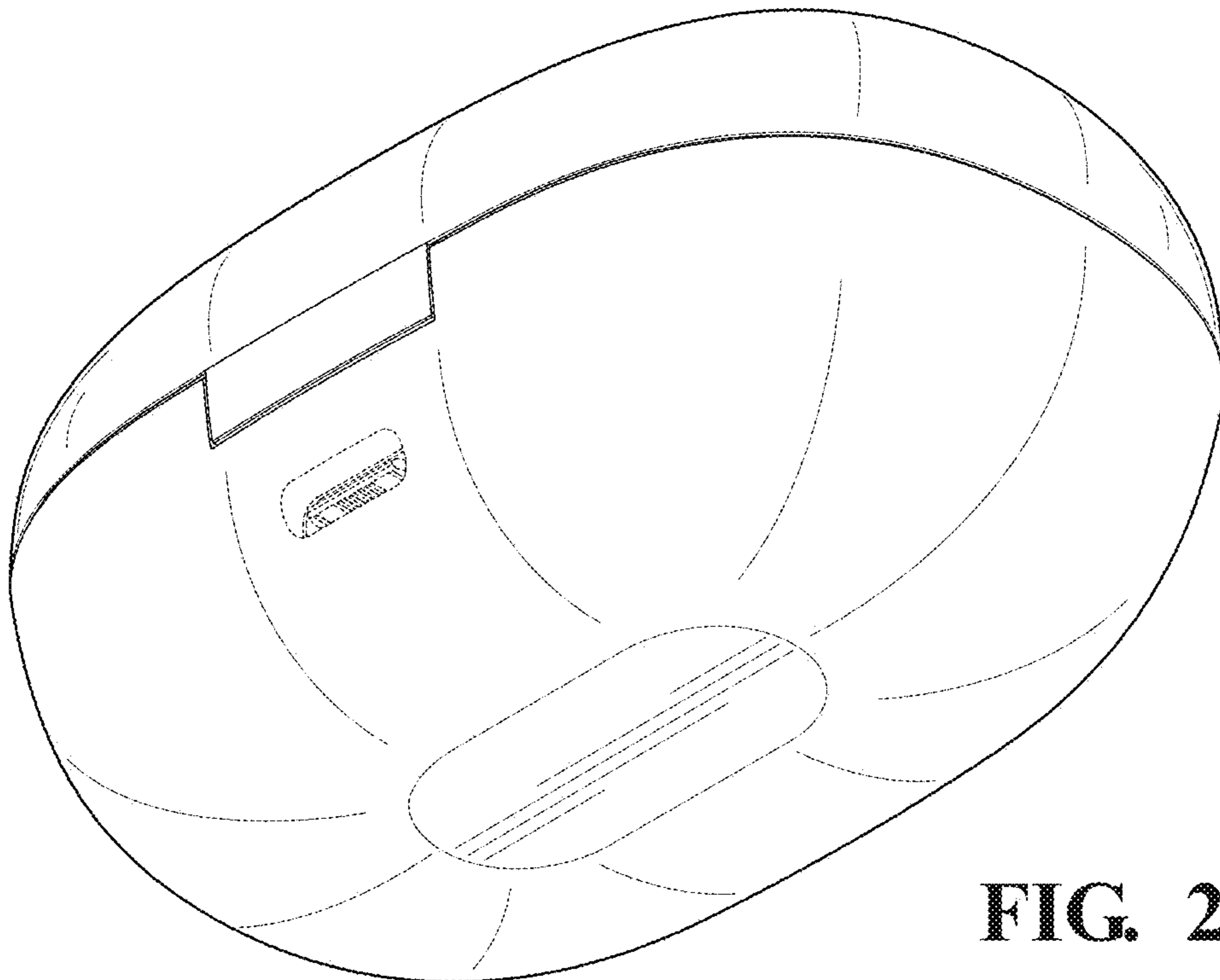


FIG. 2

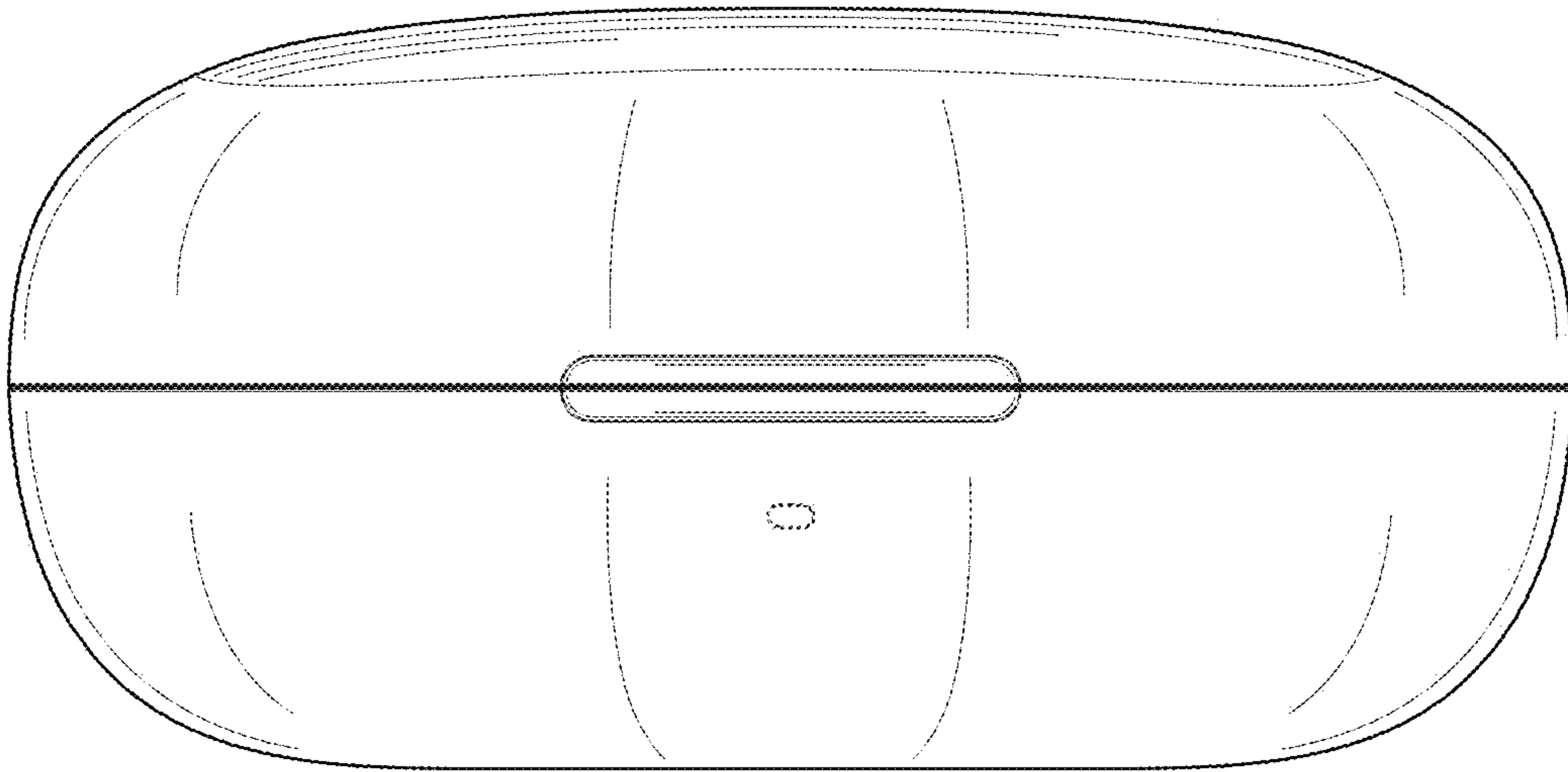


FIG. 3

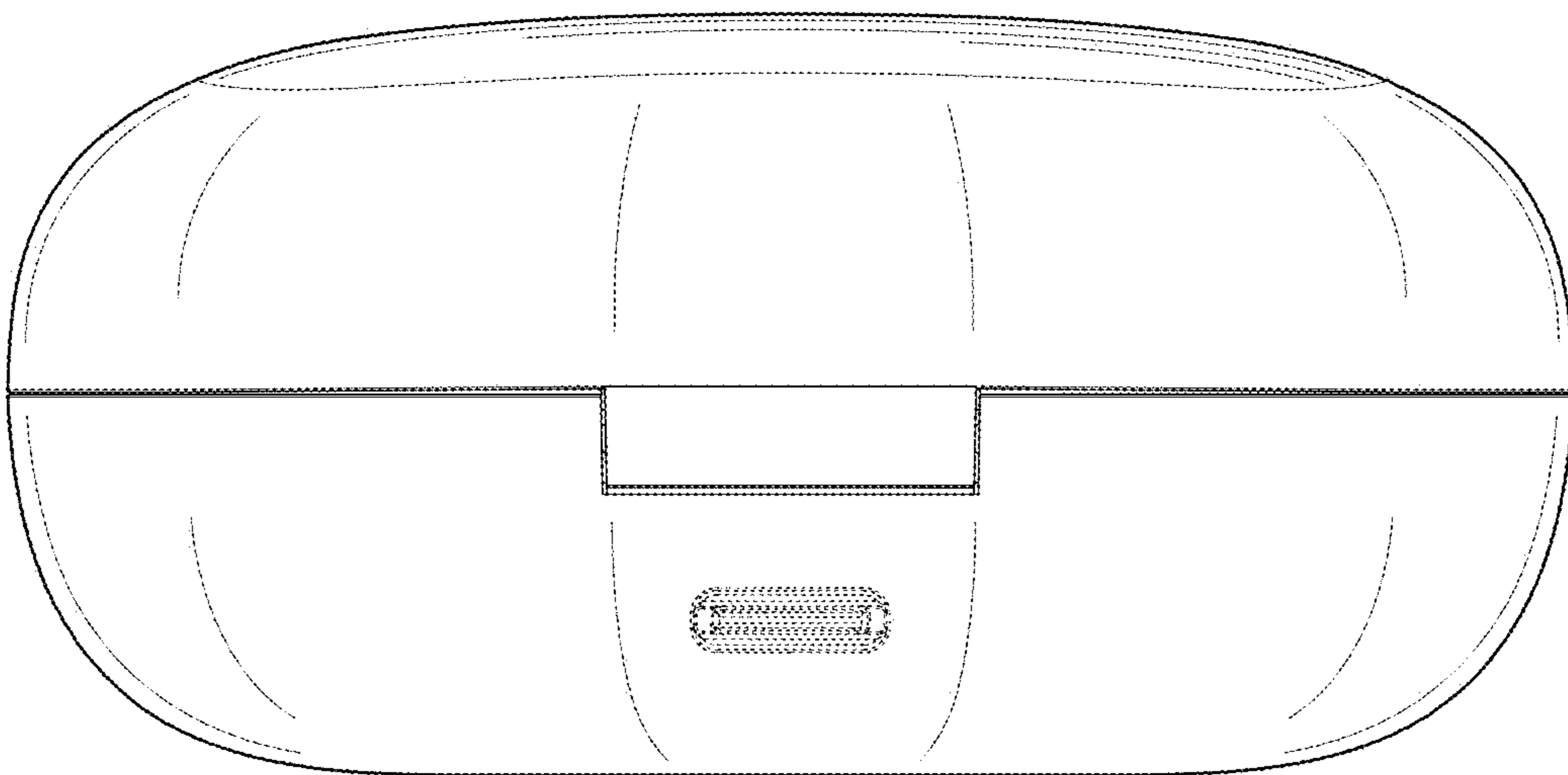


FIG. 4

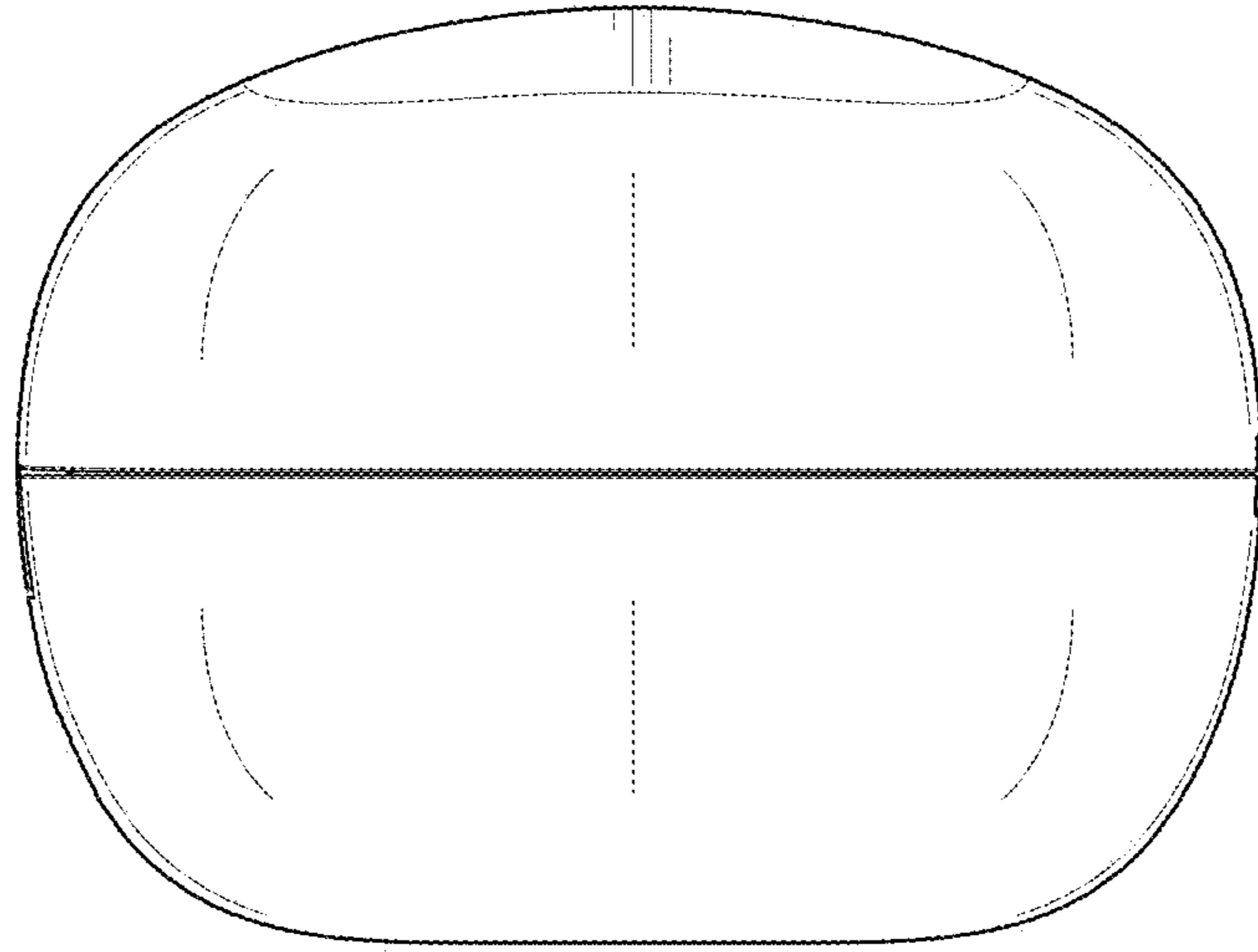


FIG. 5

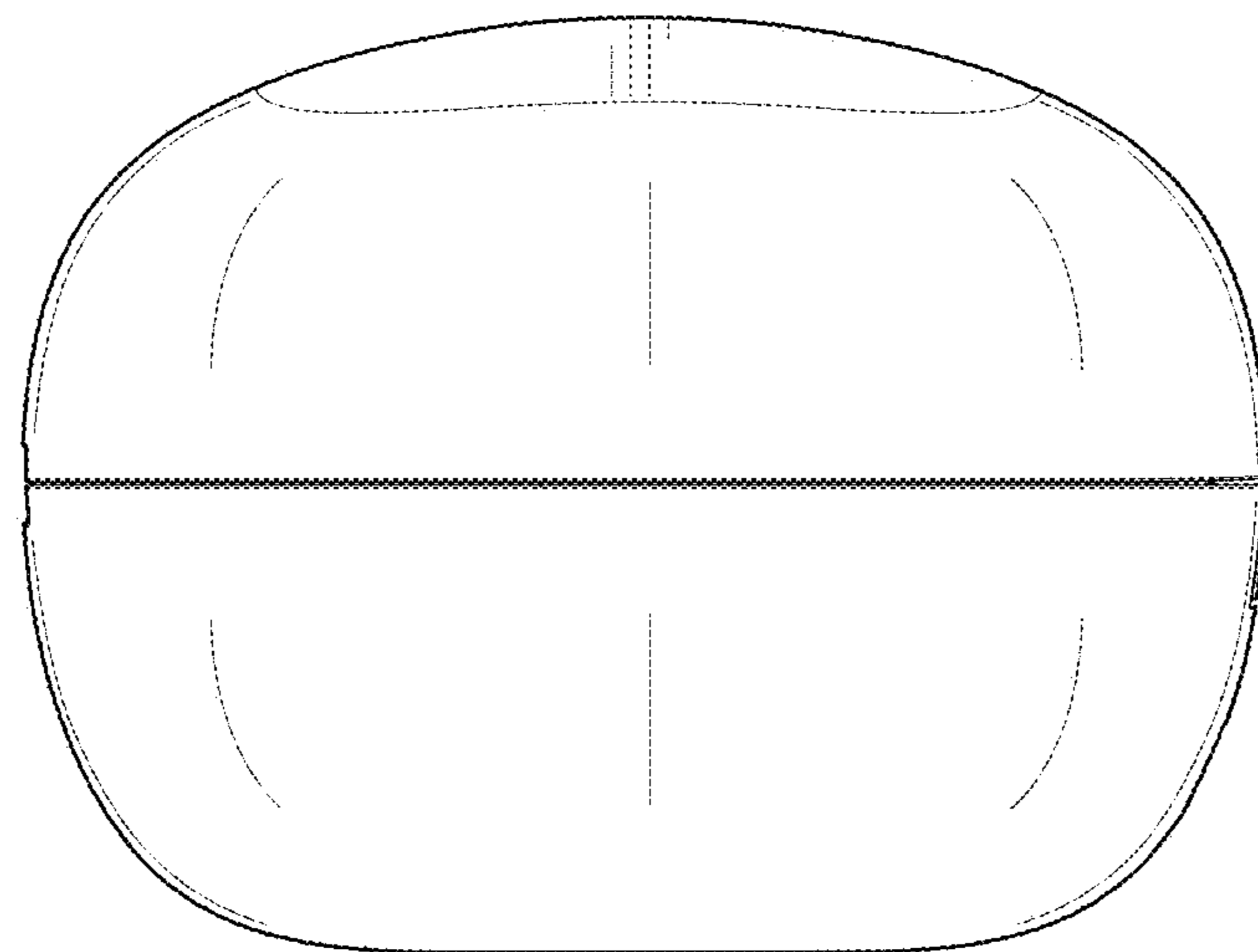


FIG. 6

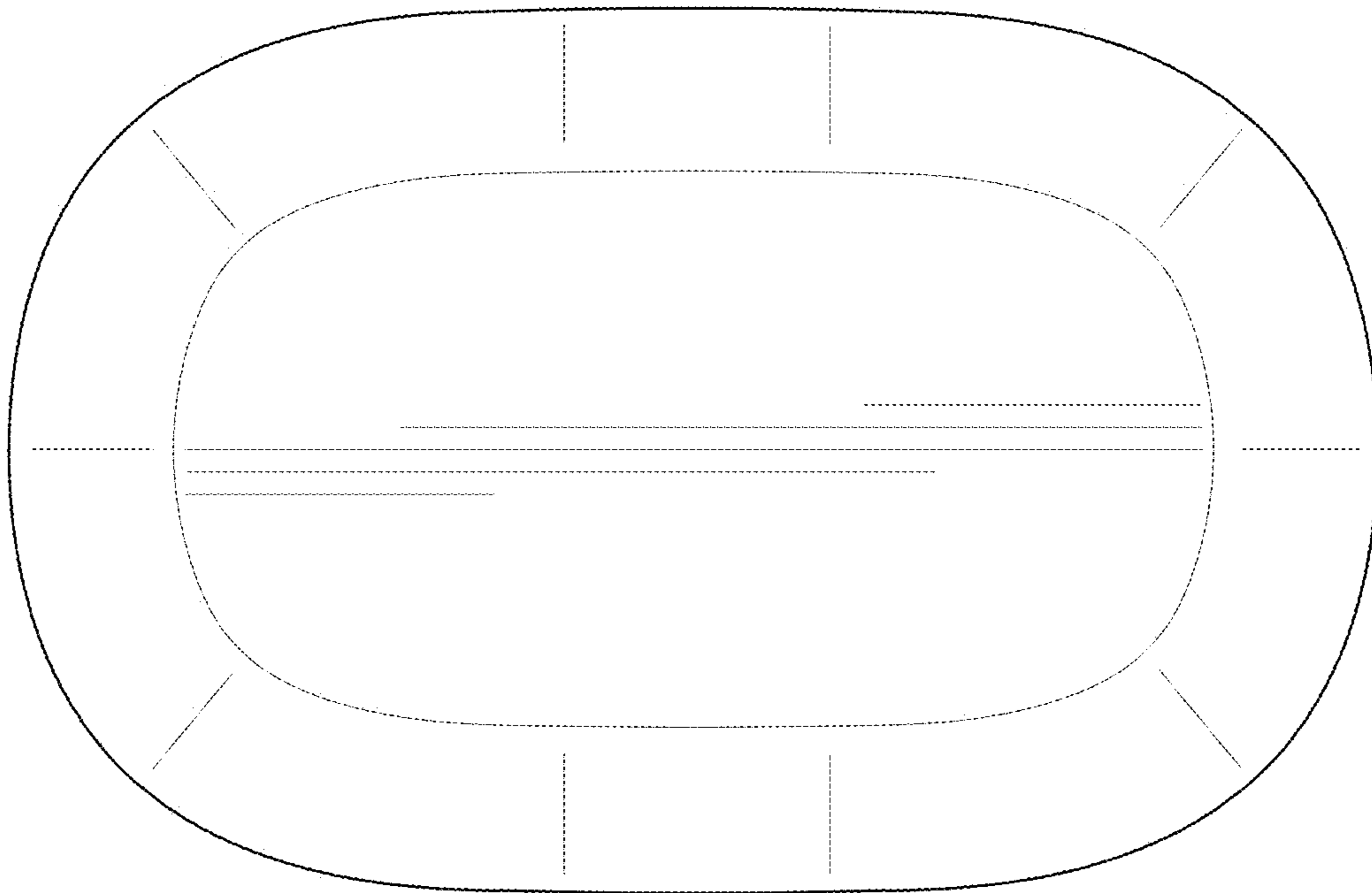


FIG. 7

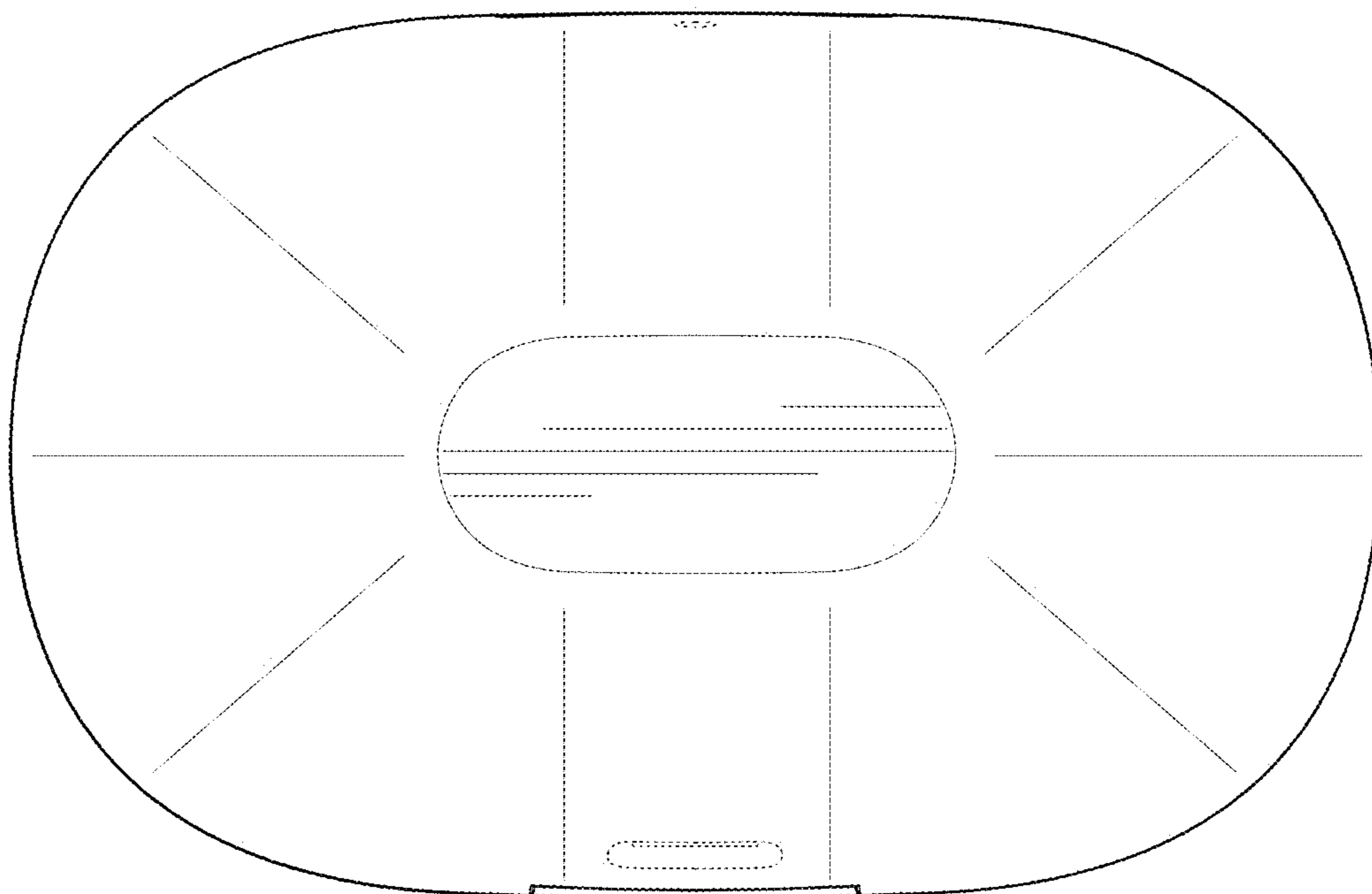


FIG. 8

FIG. 9

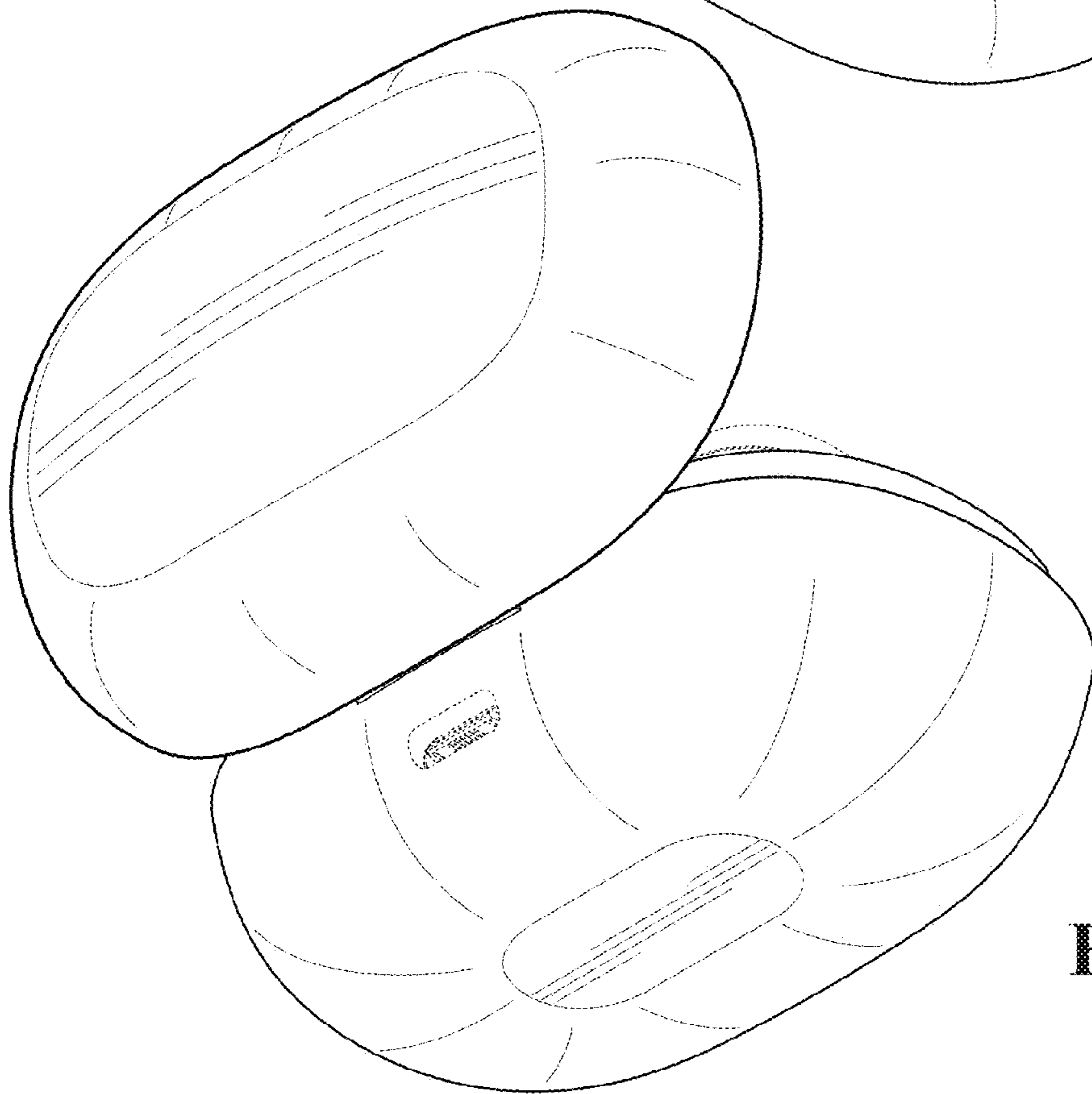
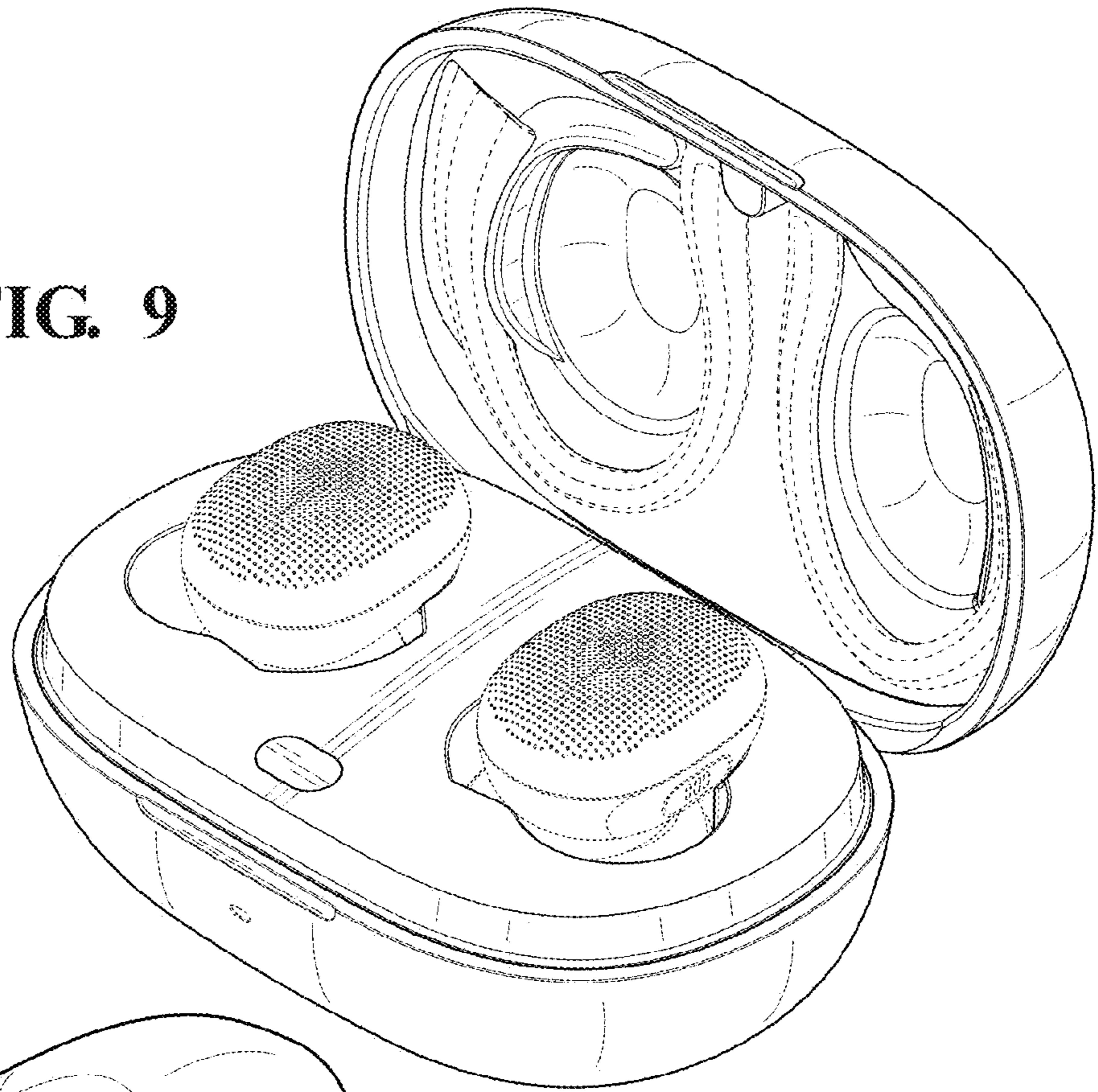


FIG. 10

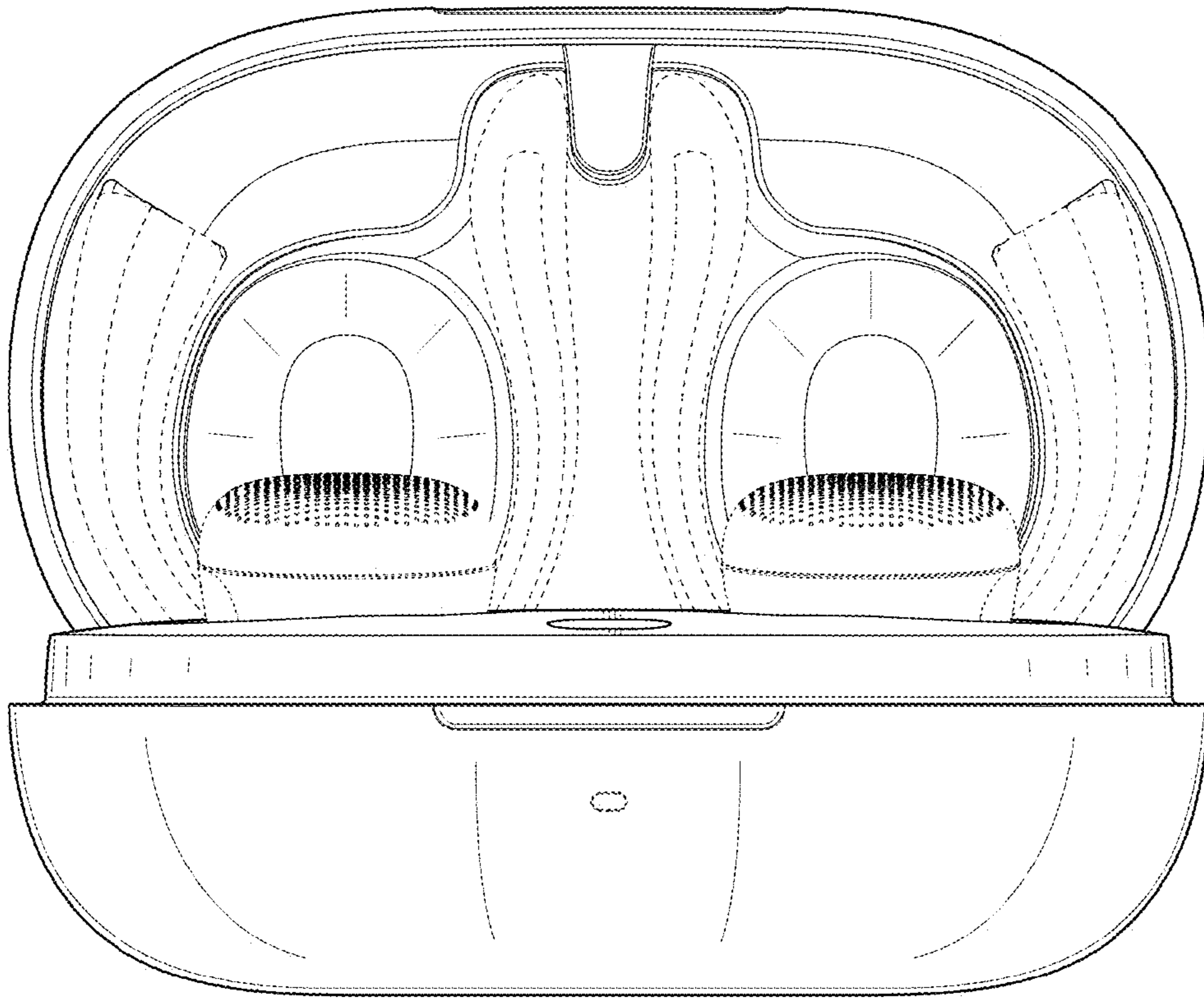


FIG. 11

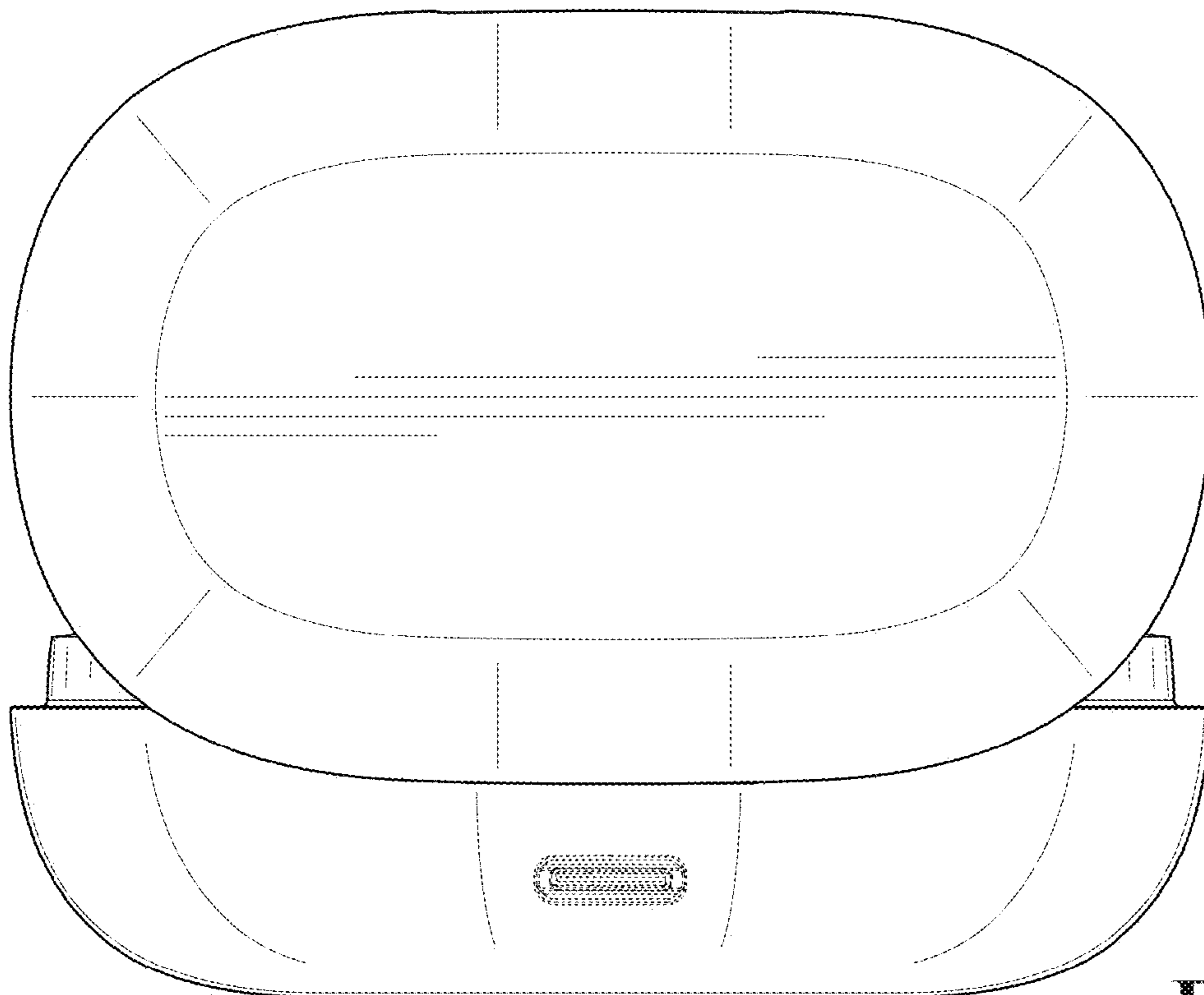


FIG. 12

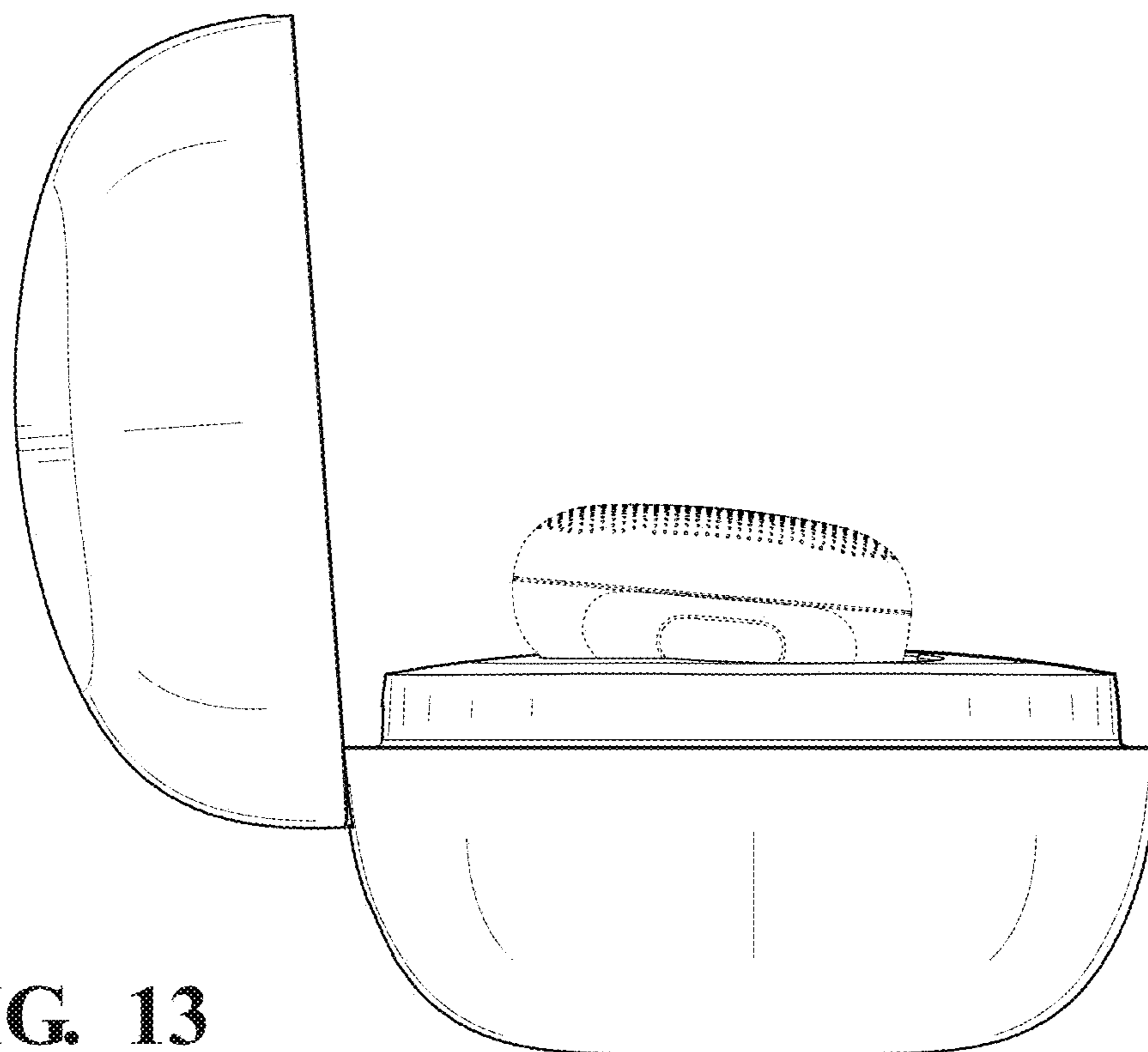


FIG. 13

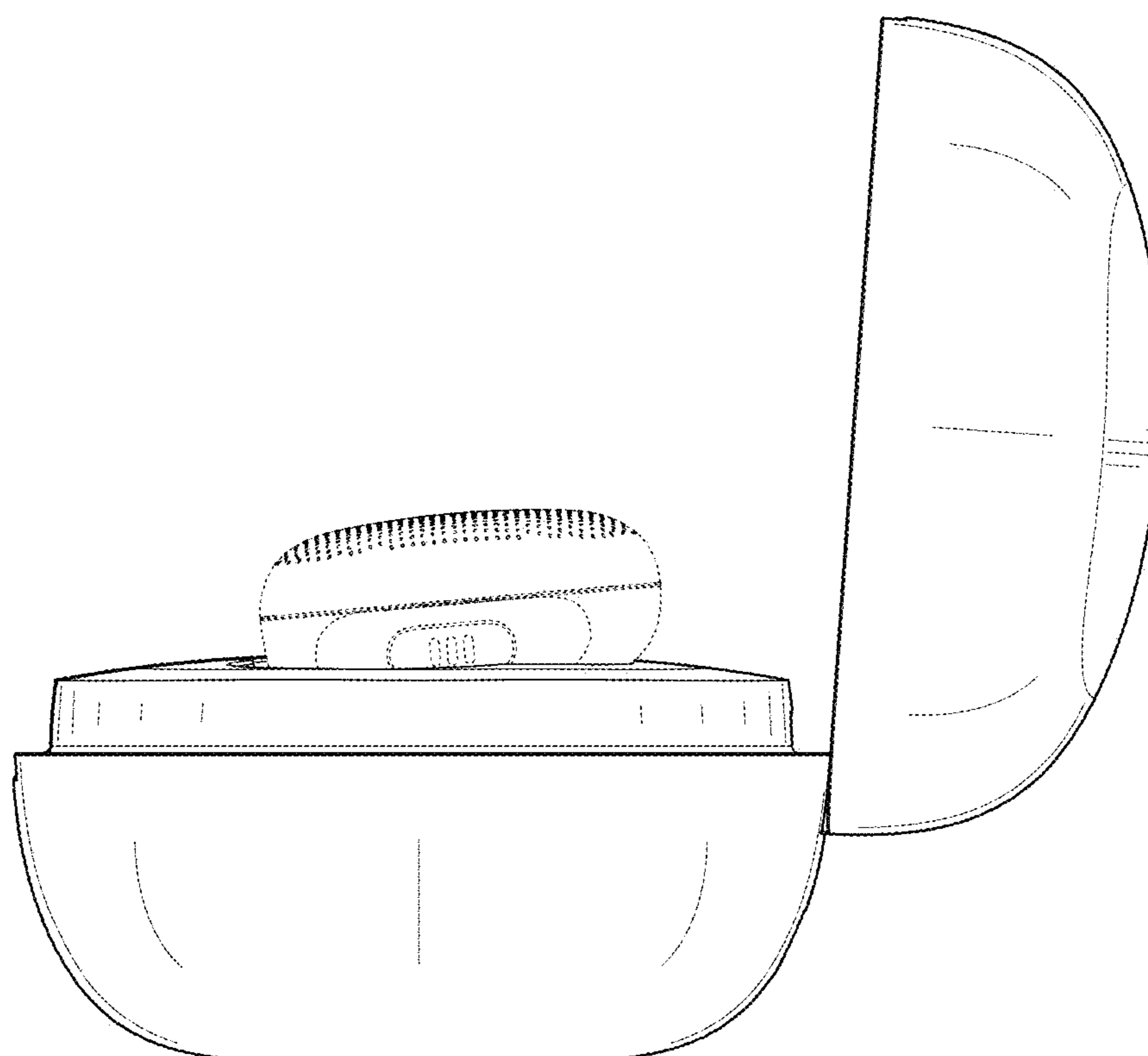


FIG. 14

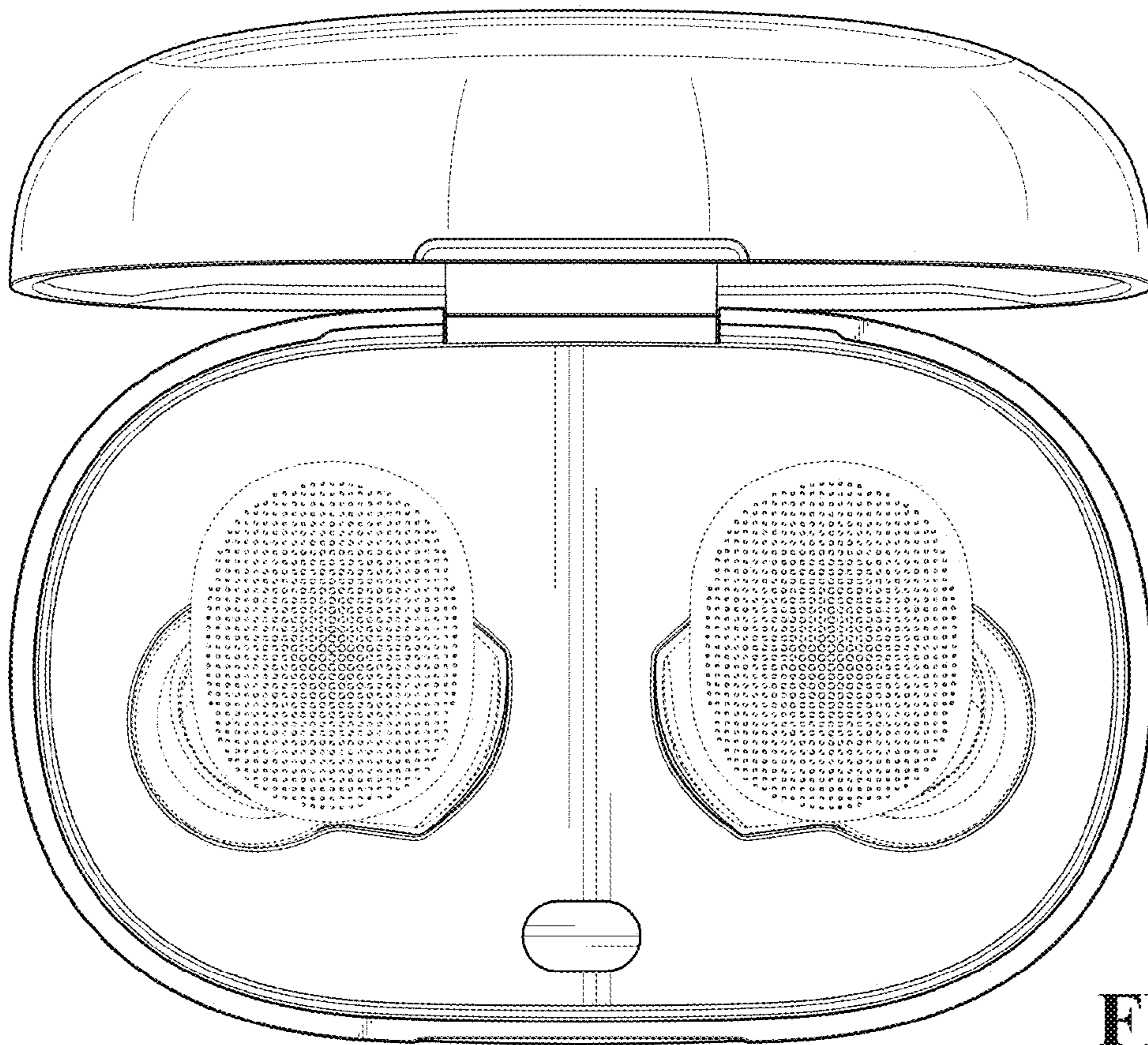


FIG. 15

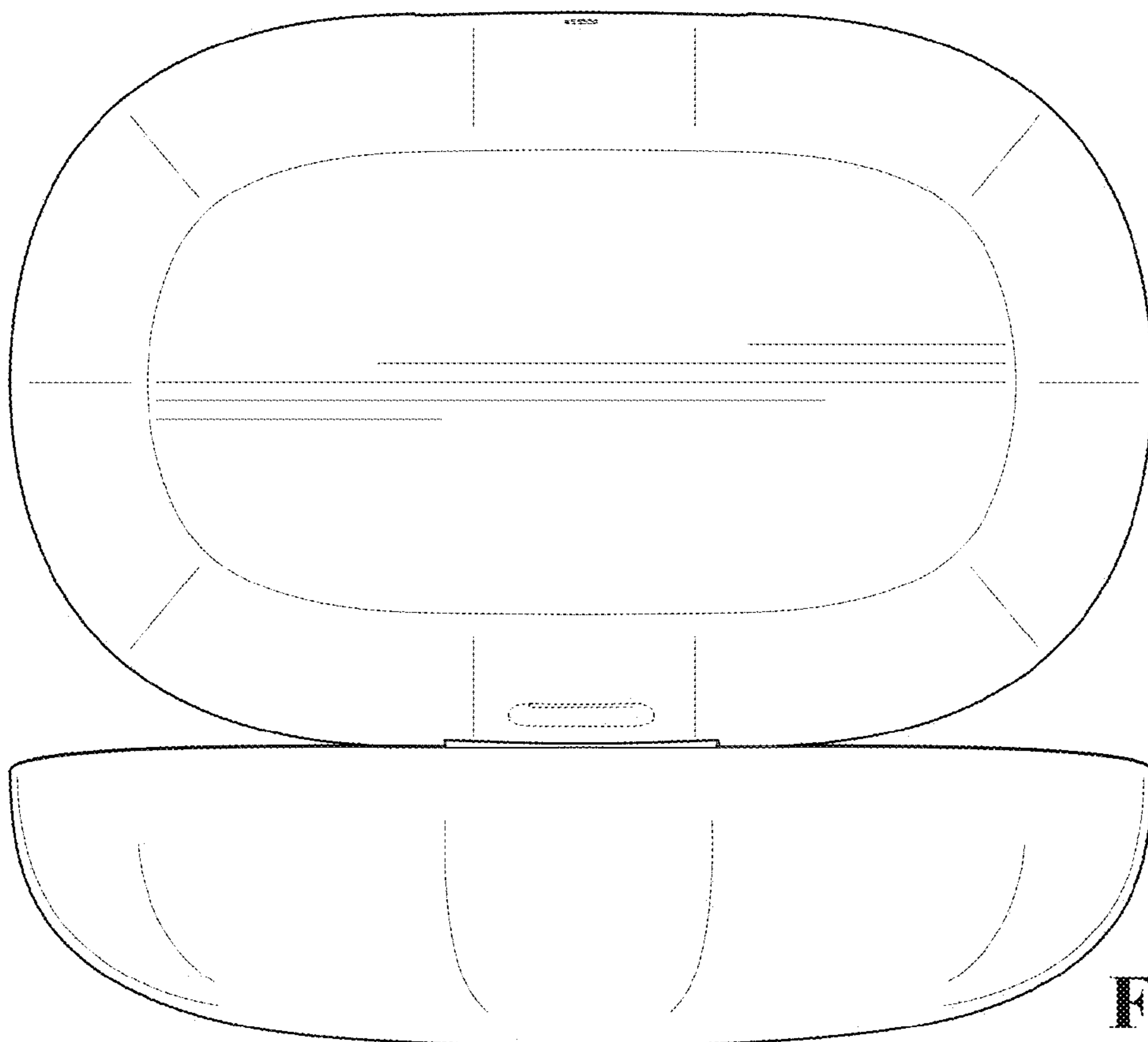


FIG. 16