



US00D948210S

(12) **United States Design Patent**
Rohrer et al.

(10) **Patent No.:** **US D948,210 S**
(45) **Date of Patent:** **** Apr. 12, 2022**

(54) **STORAGE CASE FOR AN AERIAL VEHICLE**

(71) Applicant: **Perspective Robotics AG**, Zurich (CH)

(72) Inventors: **Milan Rohrer**, Zurich (CH); **Victor Chub**, Broomfield, CO (US); **Lukas Scherrer**, Zurich (CH); **Sergei Lupashin**, Zurich (CH); **Alex Lieber**, Boulder, CO (US); **Christopher McCall**, Zurich (CH)

(**) Term: **15 Years**

(21) Appl. No.: **35/510,782**

(22) Filed: **May 19, 2020**

(80) **Hague Agreement Data**

Int. Filing Date: **May 19, 2020**
Int. Reg. No.: **DM/208423**
Int. Reg. Date: **May 19, 2020**
Int. Reg. Pub. Date: **Nov. 20, 2020**

(51) **LOC (13) Cl.** **03-01**

(52) **U.S. Cl.**
USPC **D3/273**

(58) **Field of Classification Search**
USPC D3/245, 246, 247, 248, 249, 250, 251,
D3/318, 273, 276, 292, 293, 294, 288,
D3/290, 302, 304
CPC A45C 1/06; A45C 3/08; G09F 1/10
See application file for complete search history.

(56) **References Cited**

U.S. PATENT DOCUMENTS

D440,402 S * 4/2001 Tiramani D3/276
D506,065 S * 6/2005 Sugino D13/103
D831,960 S * 10/2018 Martinez D3/302
D882,262 S * 4/2020 Zhang D3/294
D893,876 S * 8/2020 Van Fossen D3/318
D897,664 S * 10/2020 Li D3/201
D902,589 S * 11/2020 Li D3/295

D921,362 S * 6/2021 Lu D3/294
D921,582 S * 6/2021 Liu D13/108
D927,851 S * 8/2021 Chasseriaux D3/294
D931,212 S * 9/2021 Briggs D13/108
D933,004 S * 10/2021 Li D13/108

* cited by examiner

Primary Examiner — Mojtaba Tehrani

(57) **CLAIM**

The ornamental design for a storage case for an aerial vehicle, as shown and described.

DESCRIPTION

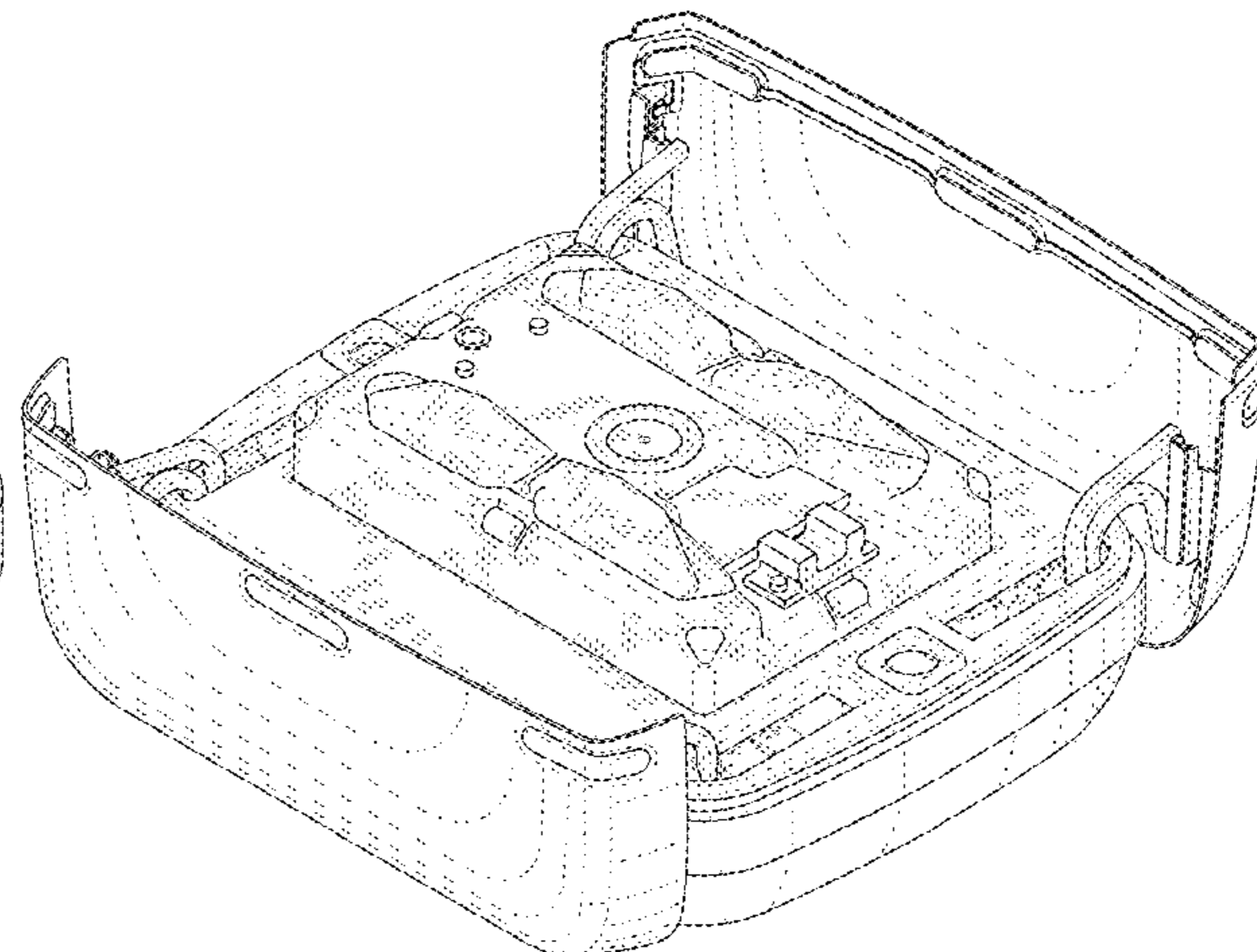
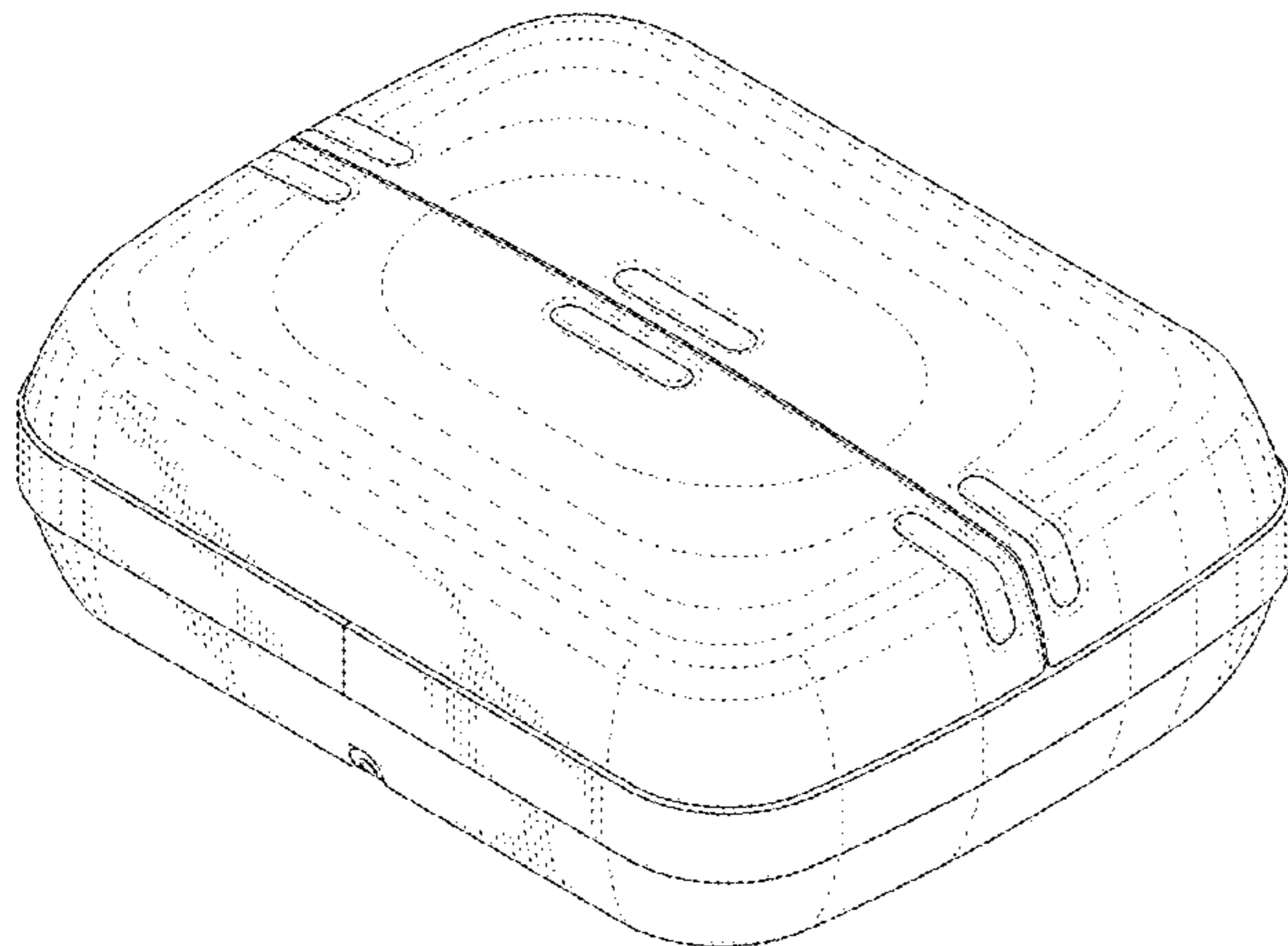
1. Storage case for an aerial vehicle

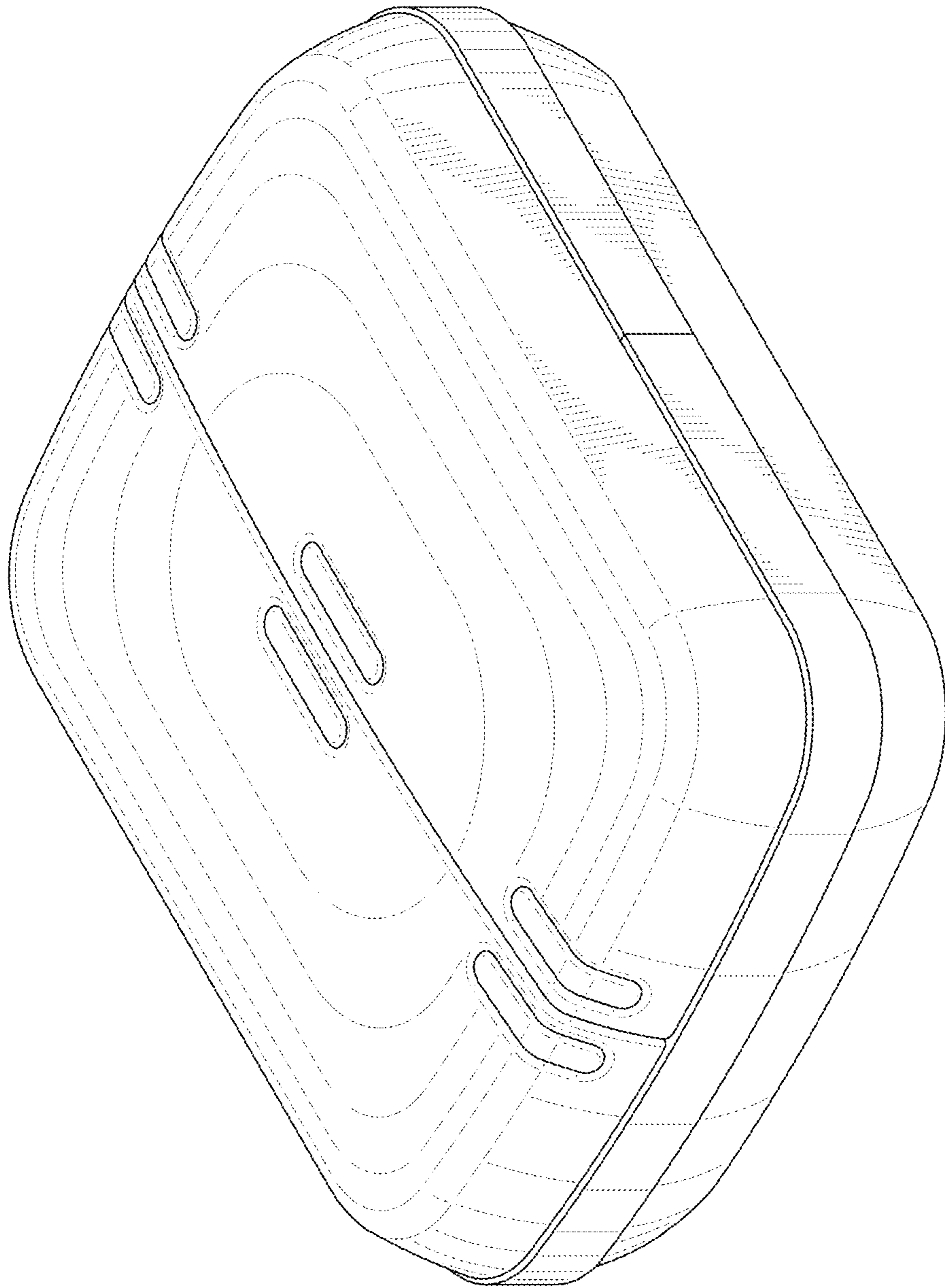
- 1.1 : Perspective
- 1.2 : Perspective
- 1.3 : Front
- 1.4 : Back
- 1.5 : Left
- 1.6 : Right
- 1.7 : Top
- 1.8 : Bottom
- 1.9 : Perspective
- 1.10 : Perspective
- 1.11 : Front
- 1.12 : Back
- 1.13 : Left
- 1.14 : Right
- 1.15 : Top
- 1.16 : Bottom
- 1.17 : Perspective view of open storage case

Views 1.1 to 1.8 show the storage case in closed position; views 1.9 to 1.16 show the storage case in open position (without aerial vehicle); view 1.17 shows a perspective view of the storage case in an open position with an aerial vehicle supported on the platform of the storage case.

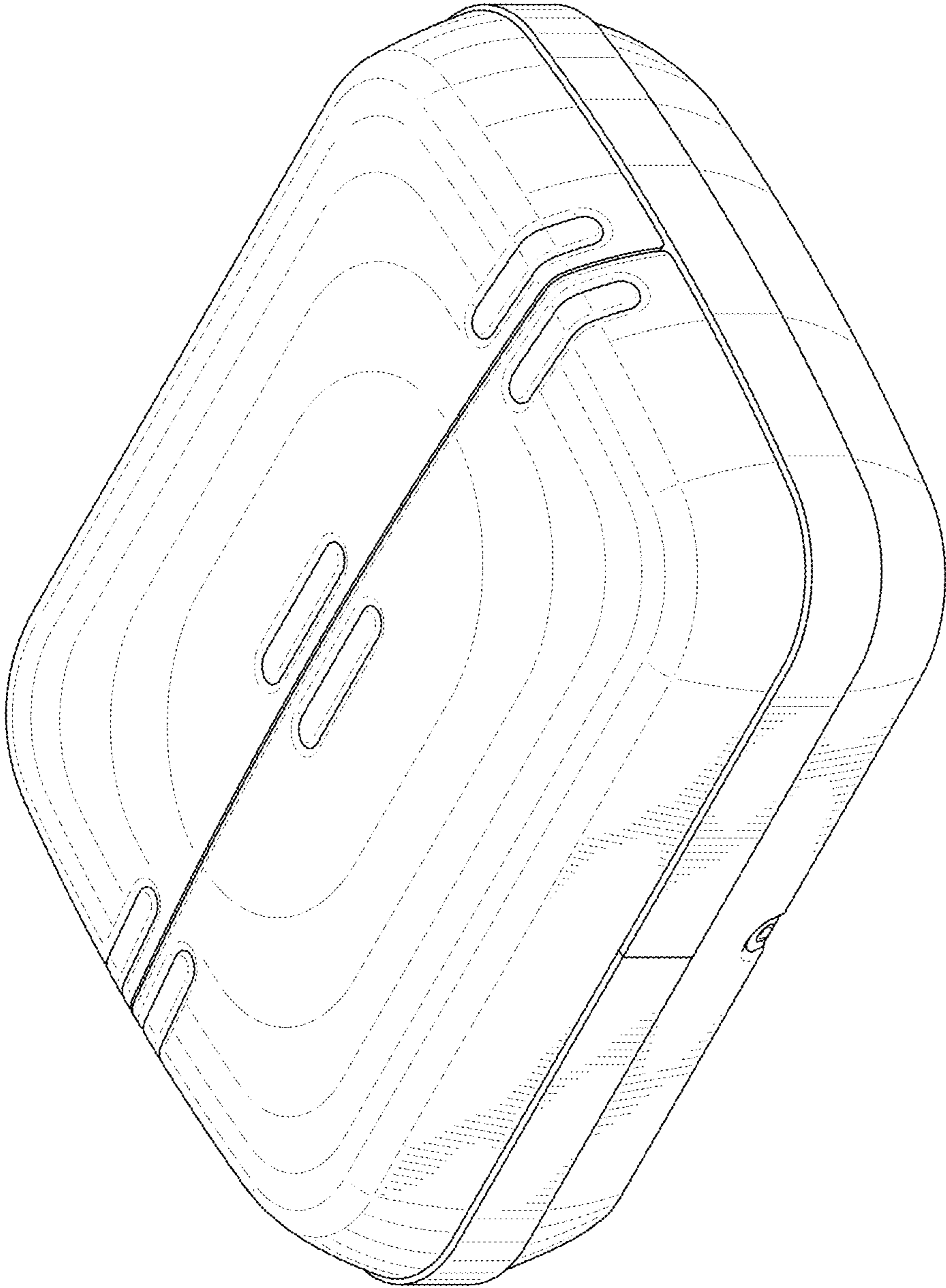
The evenly broken line in the reproductions discloses unclaimed subject matter only and forms no part of the claimed design.

1 Claim, 17 Drawing Sheets

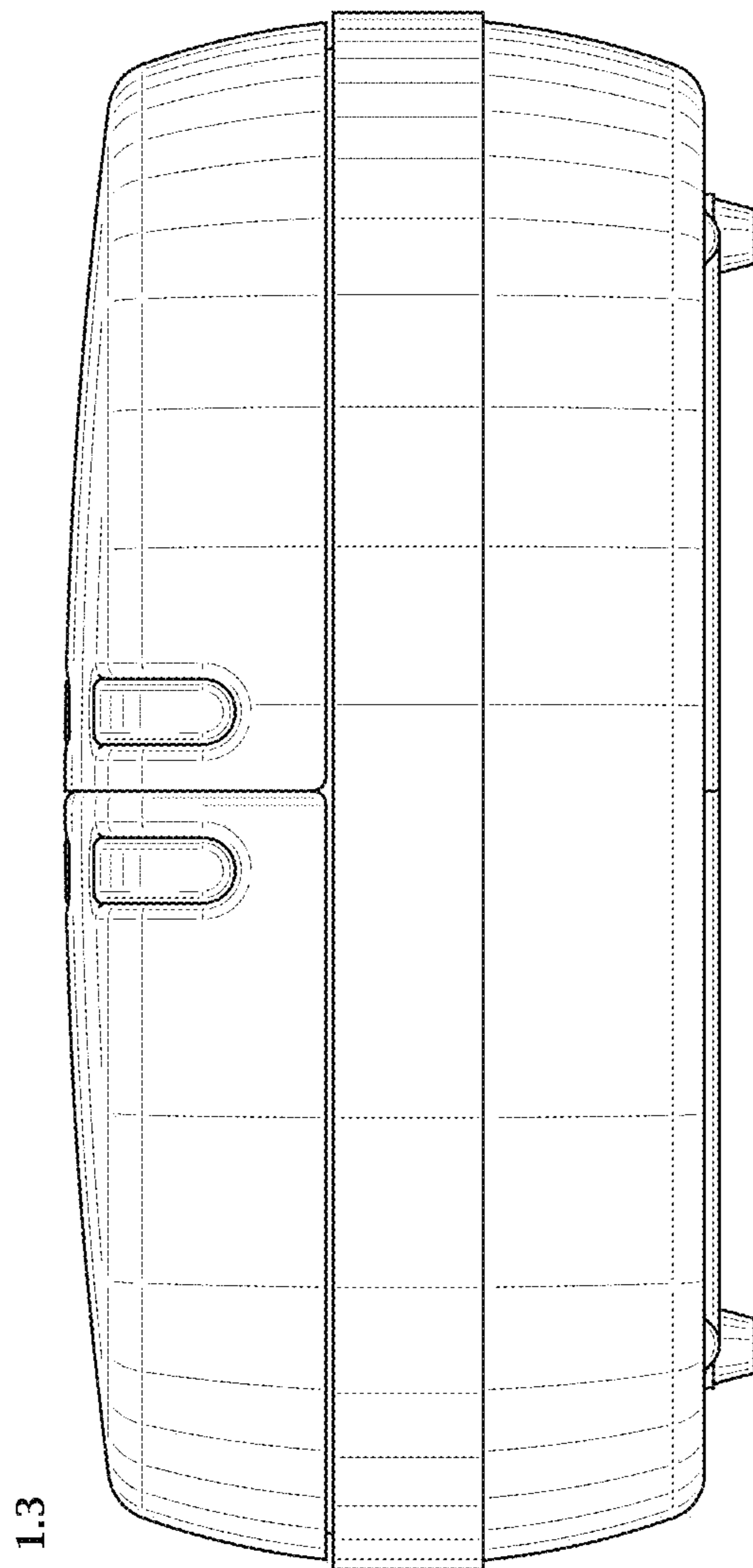


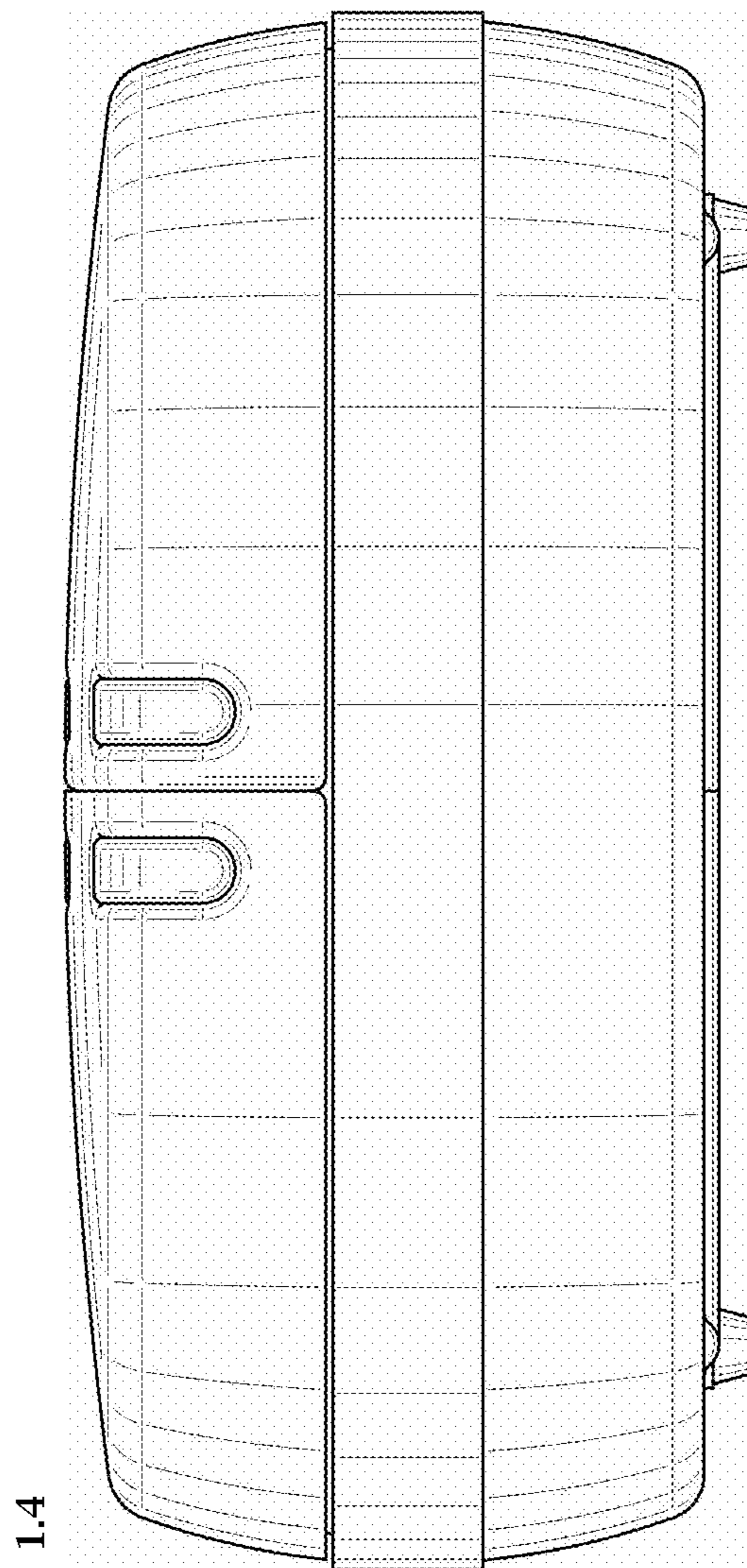


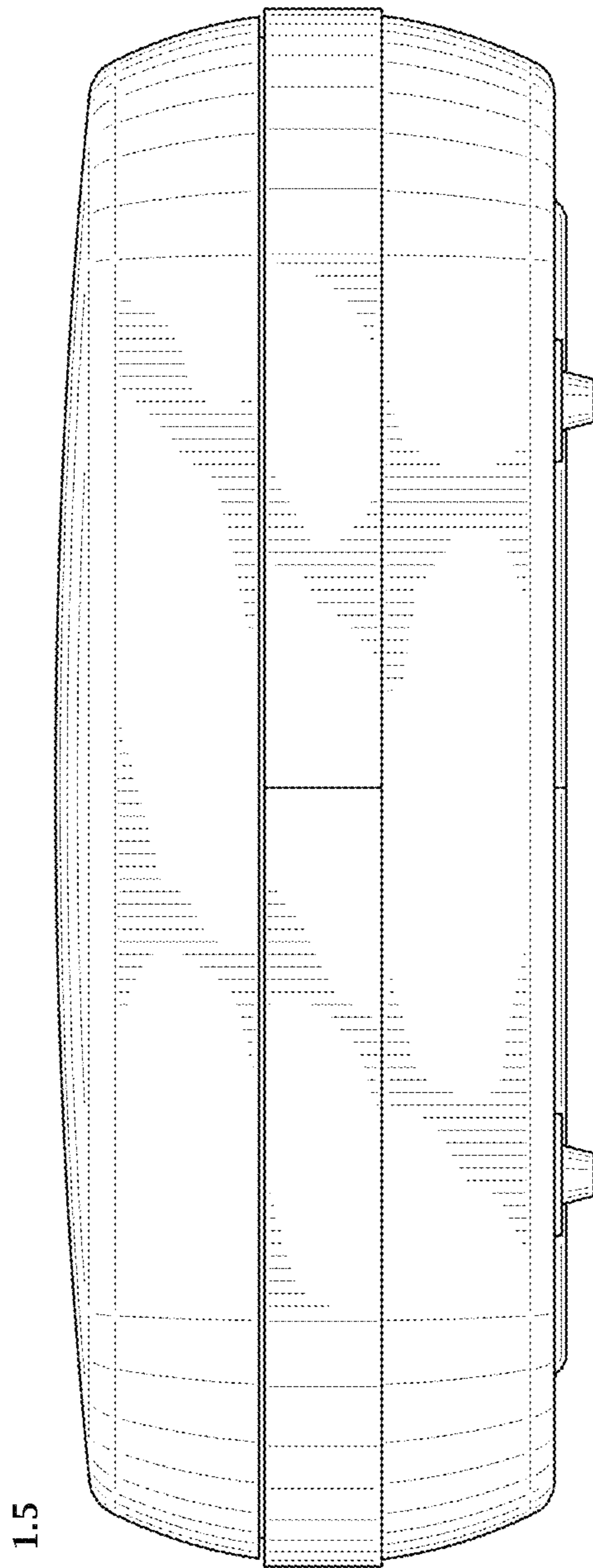
1.1

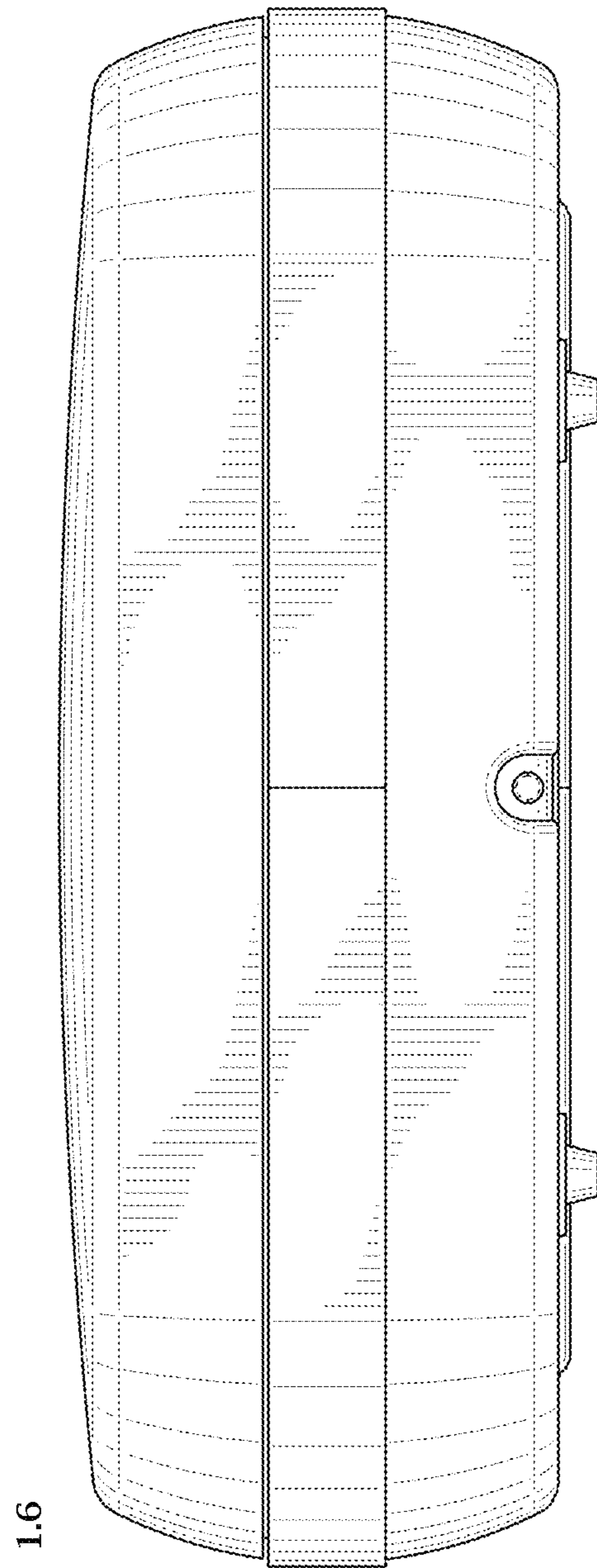


1.2

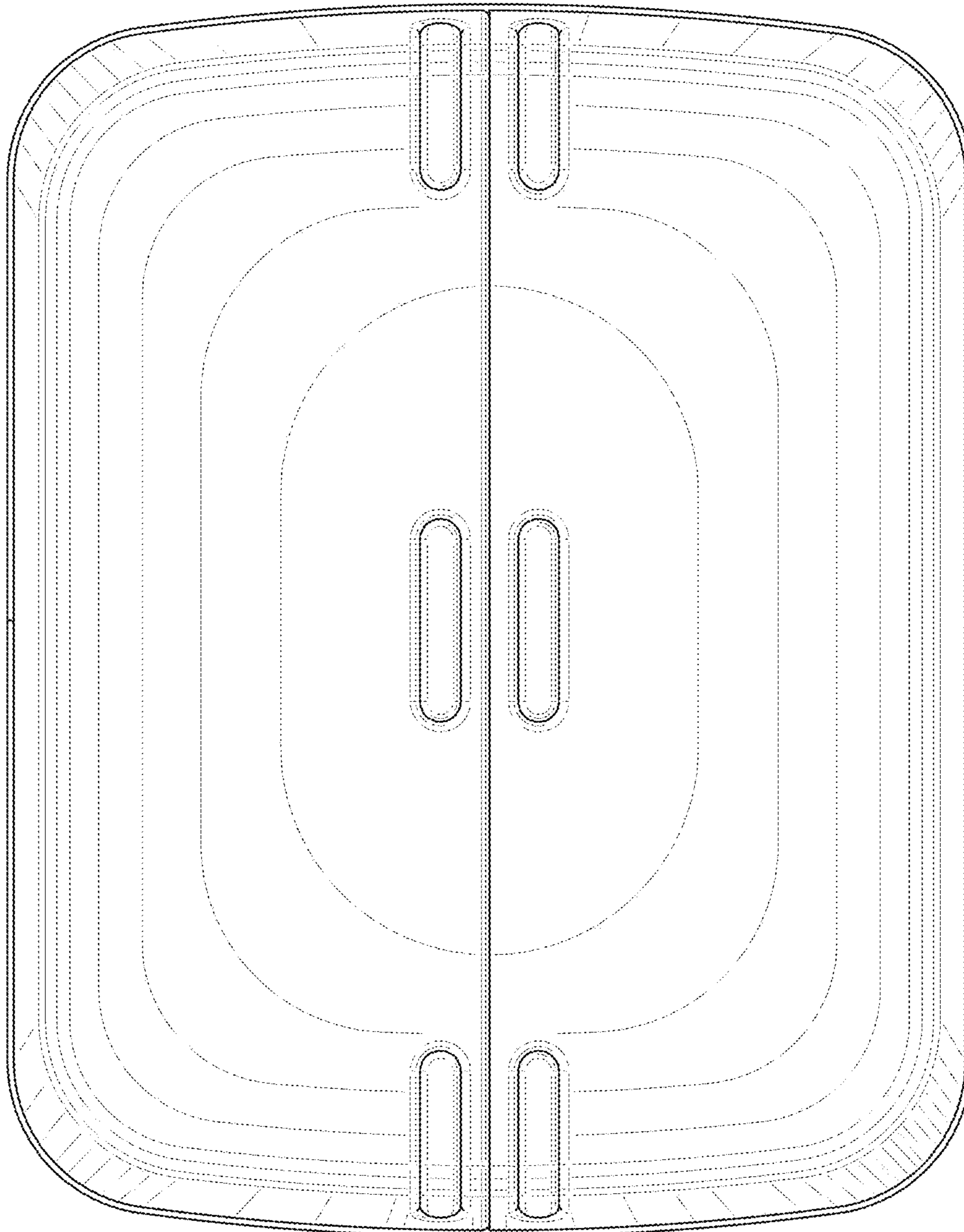




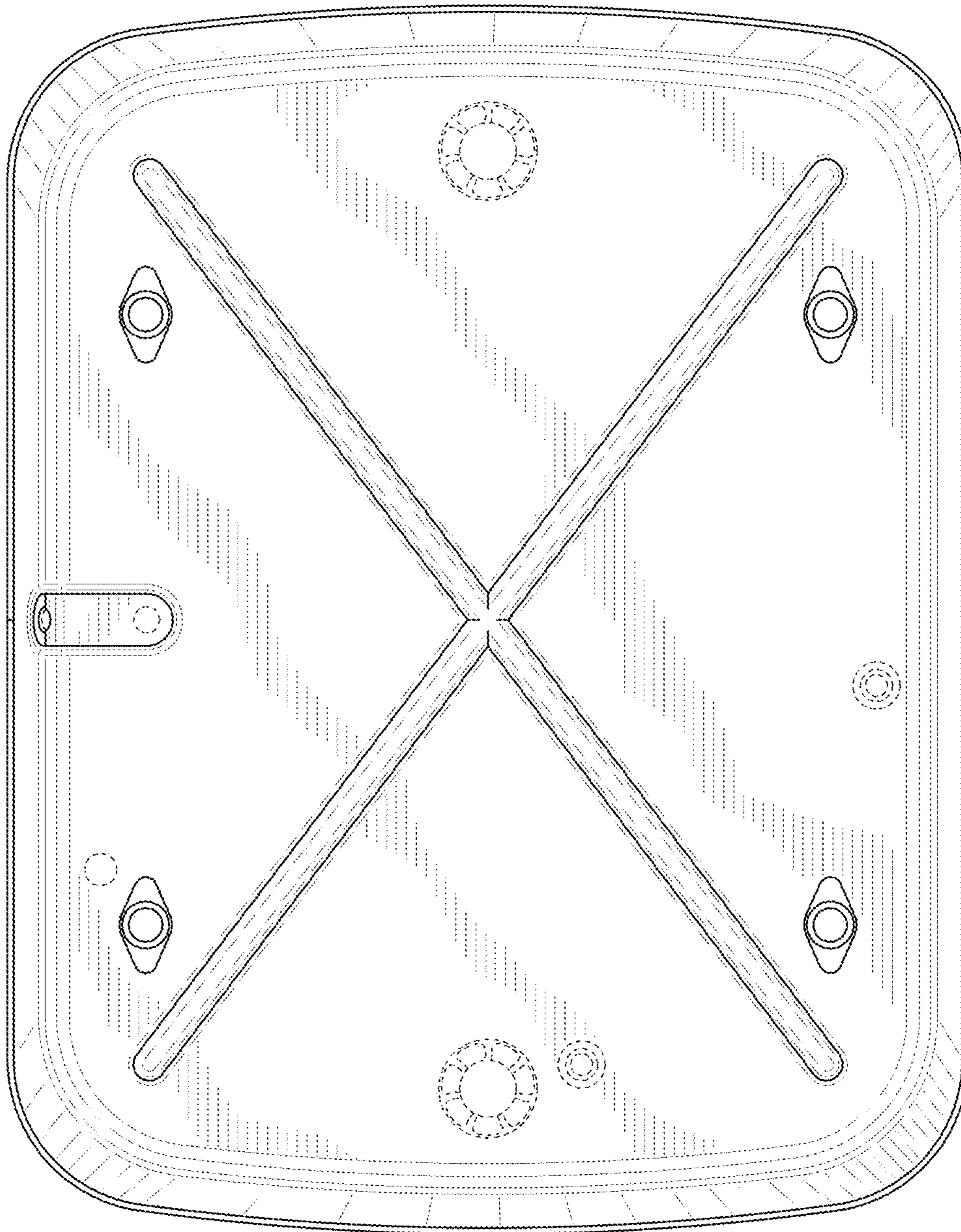


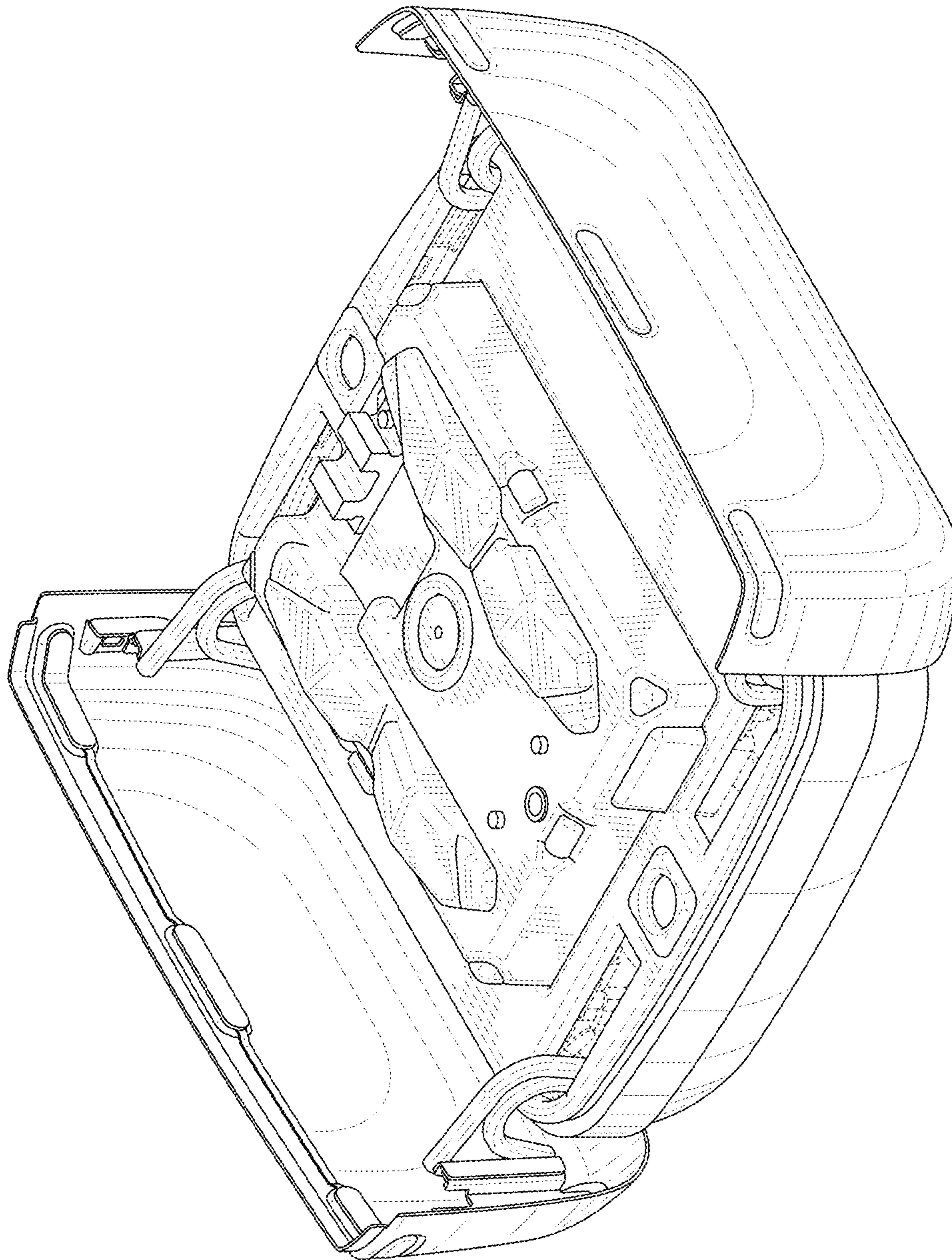


1.7

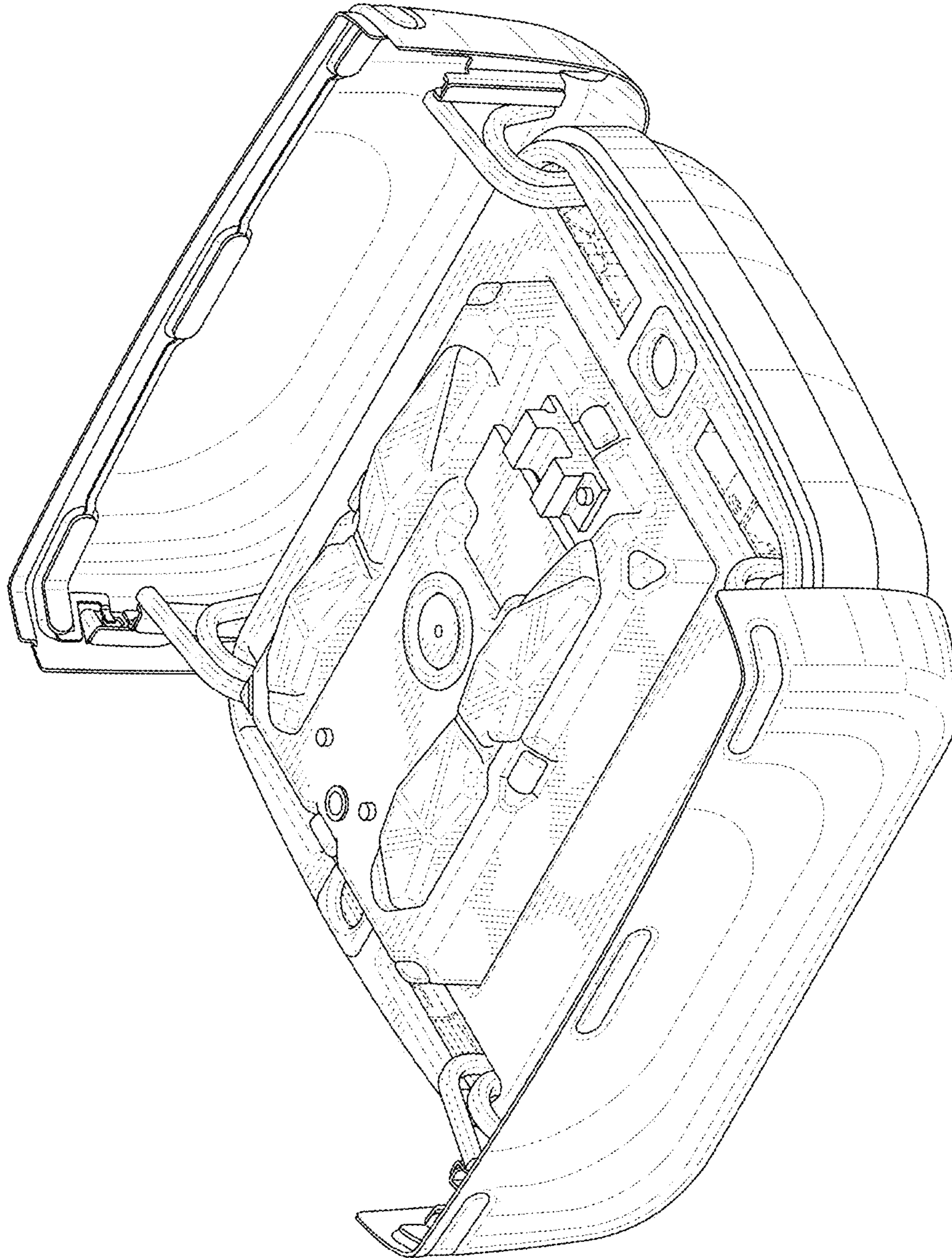


1.8

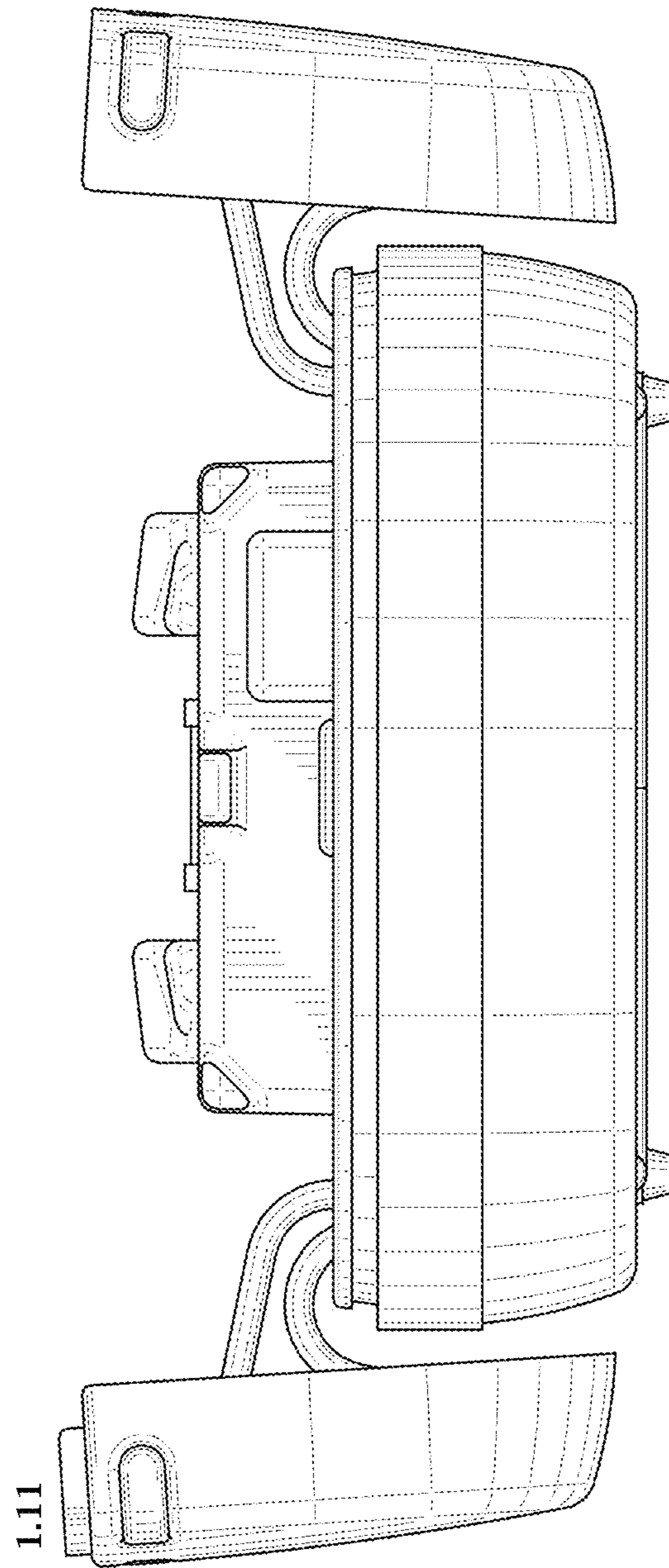


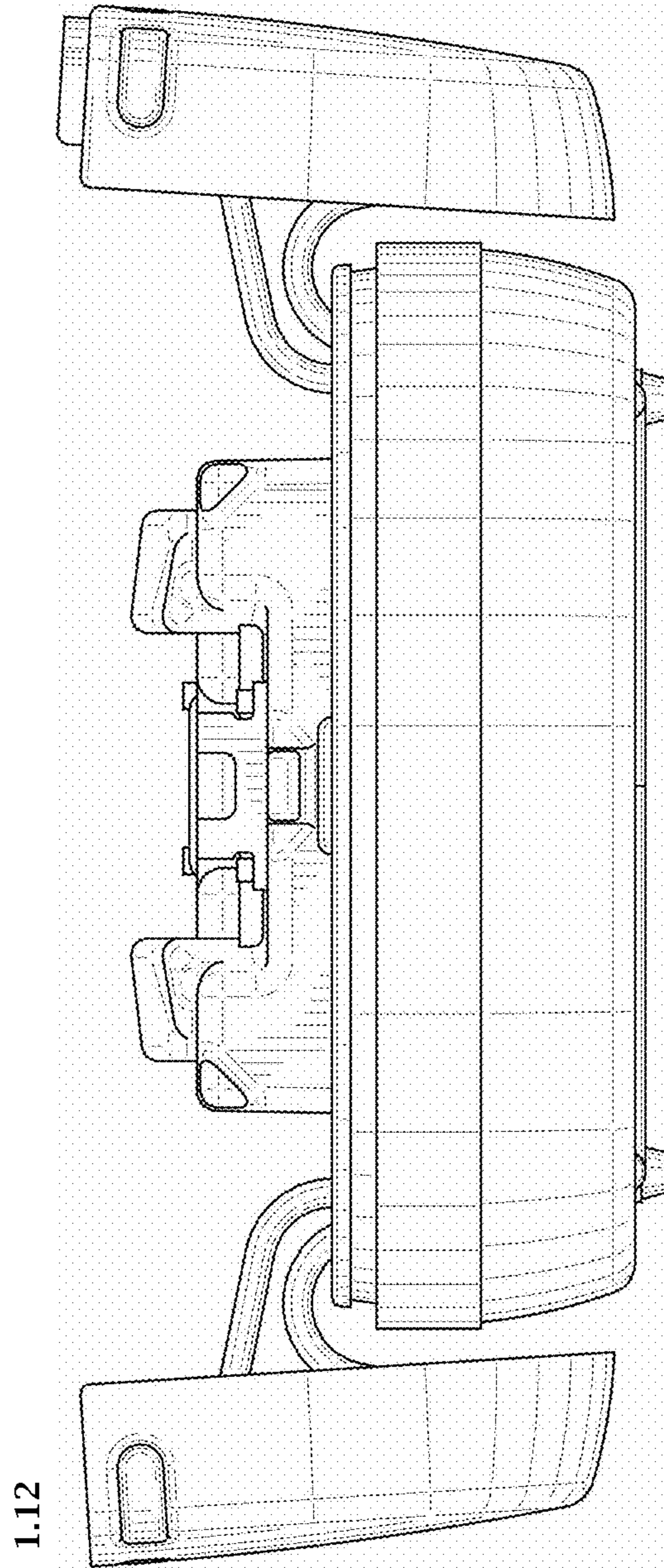


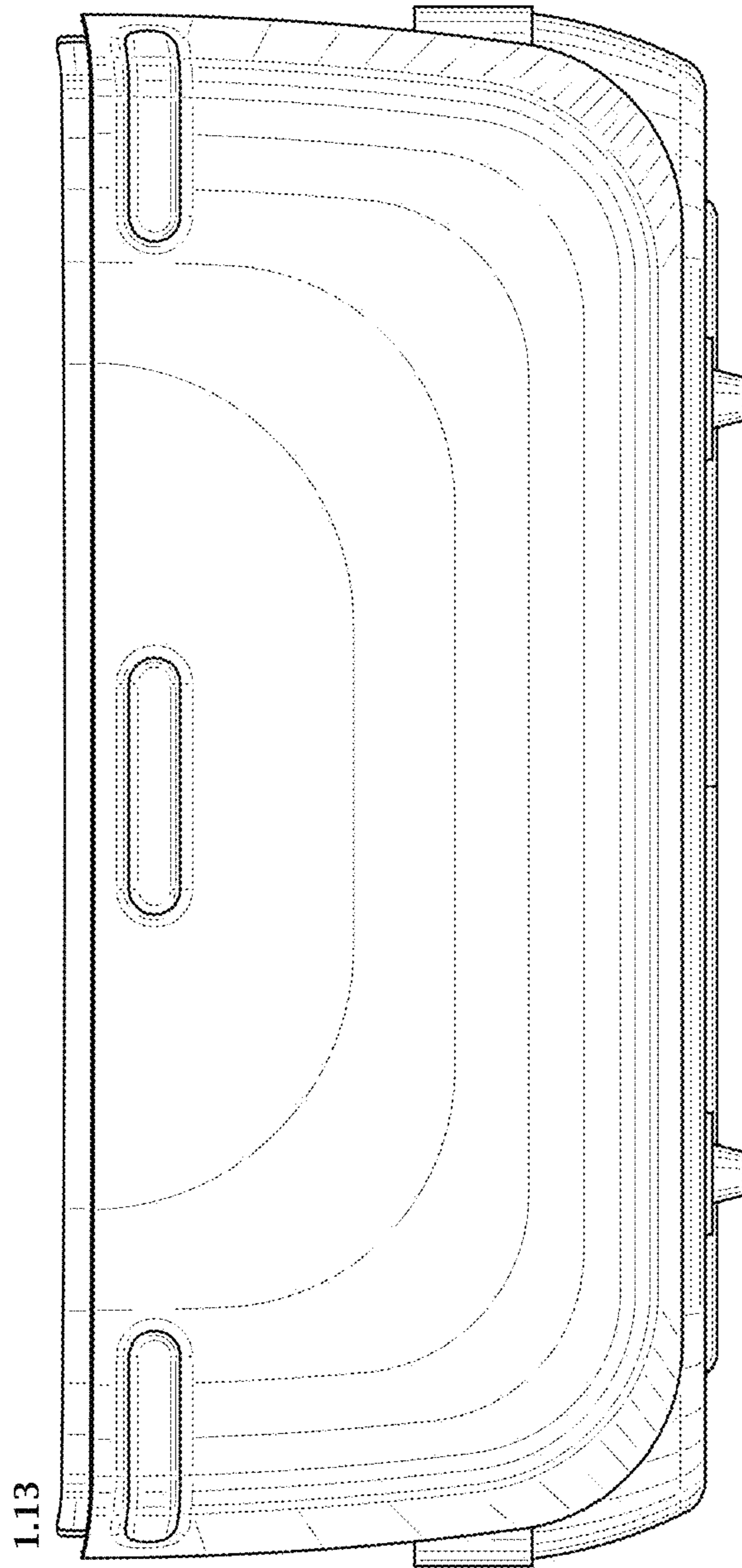
1.9

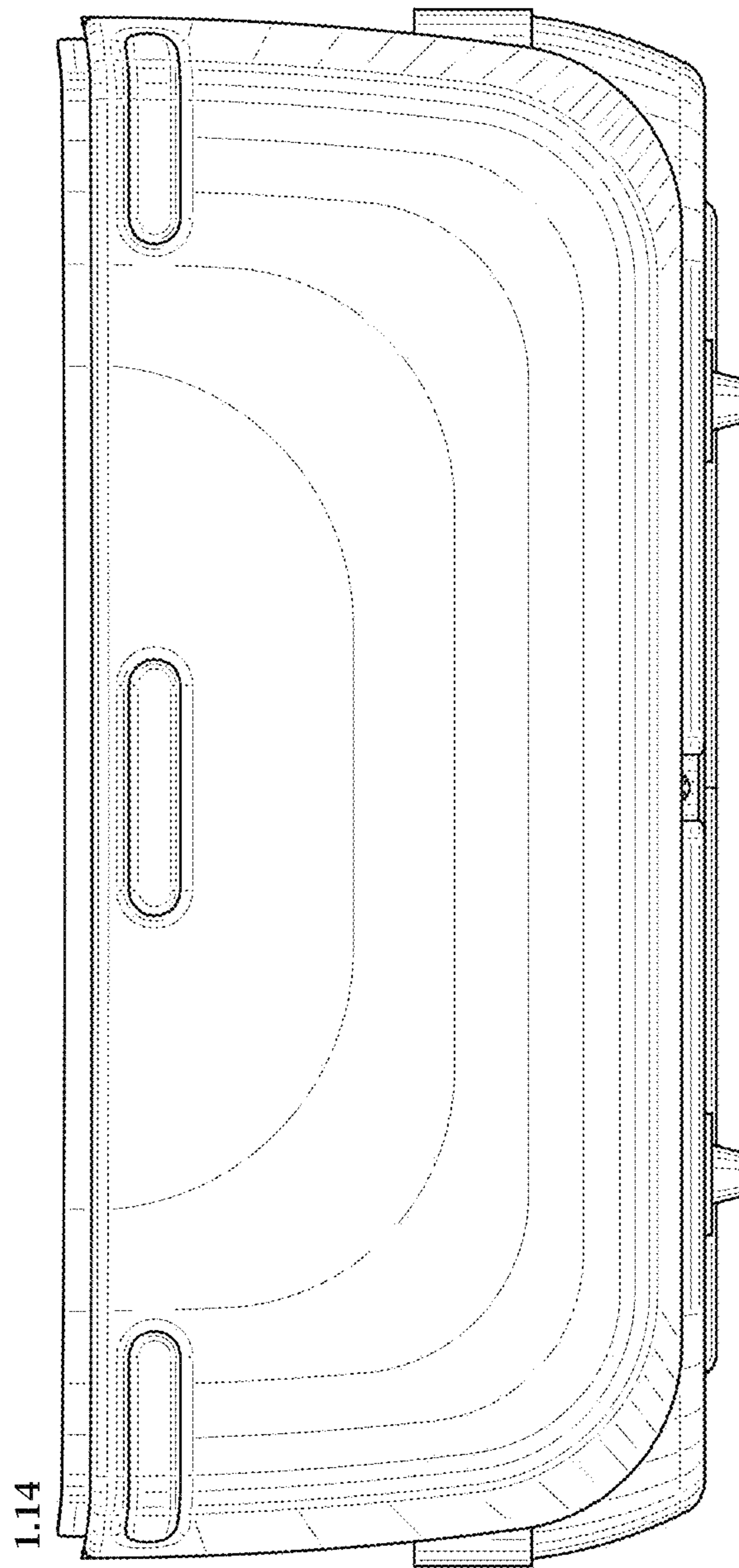


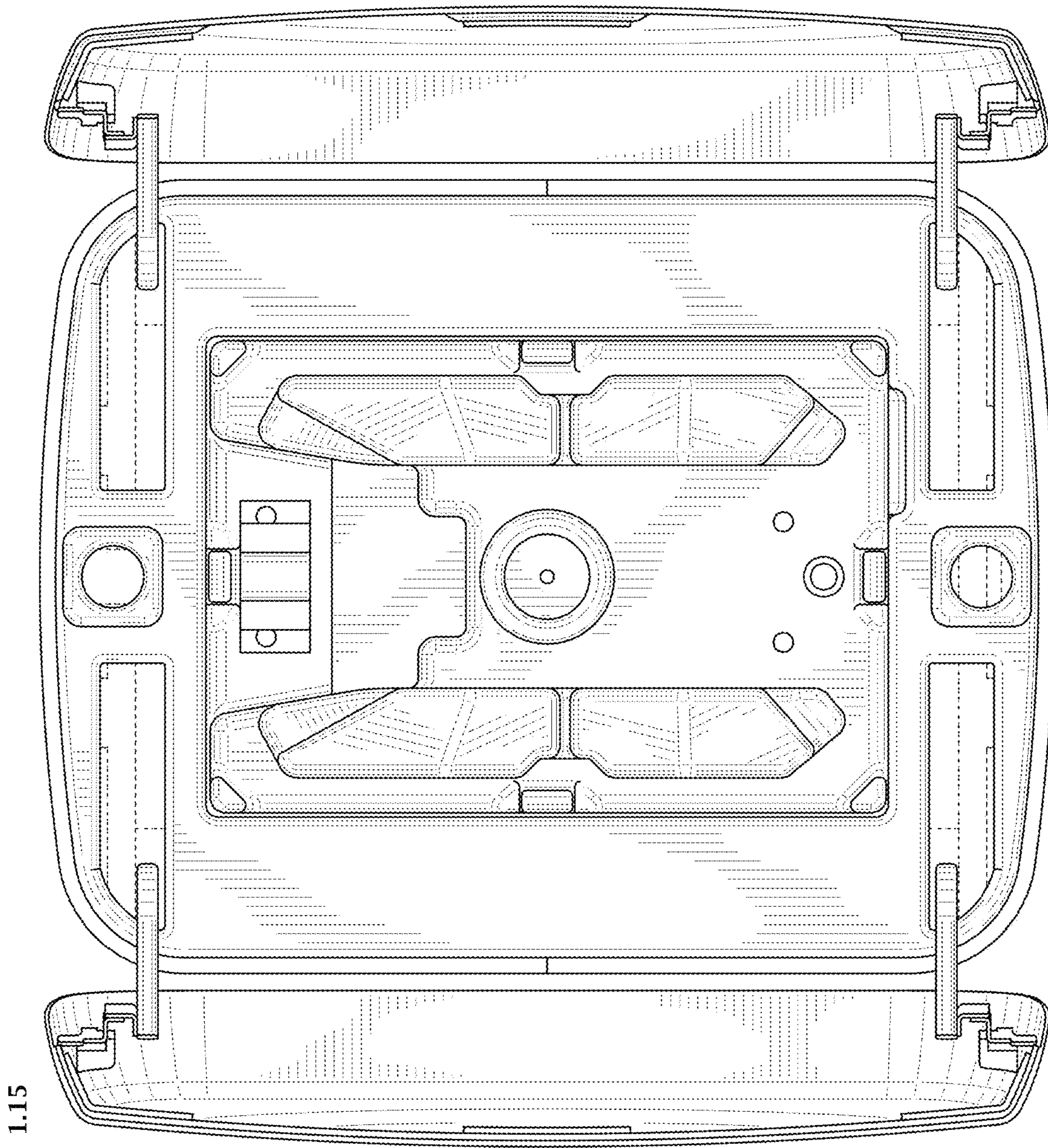
1.10



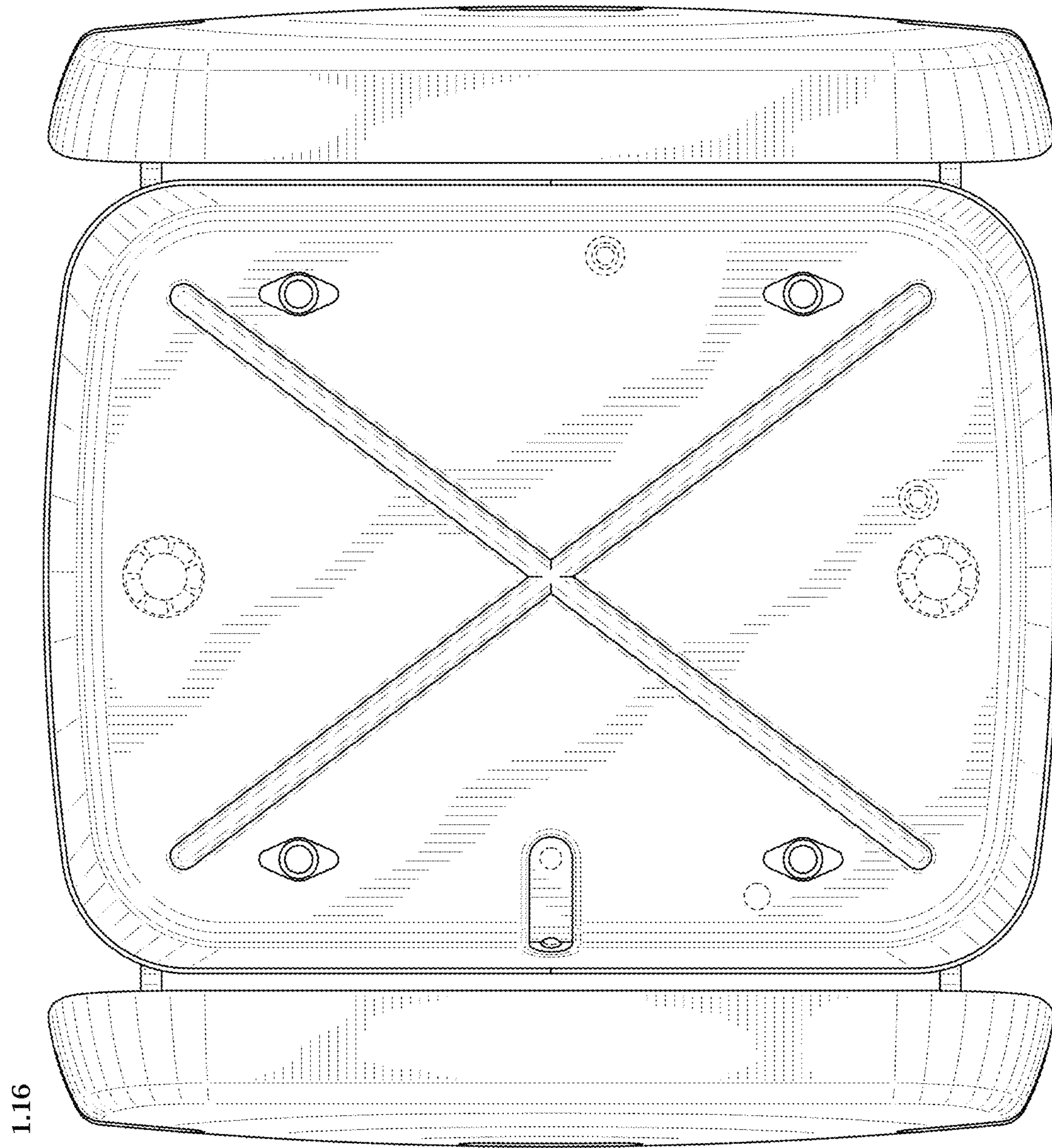


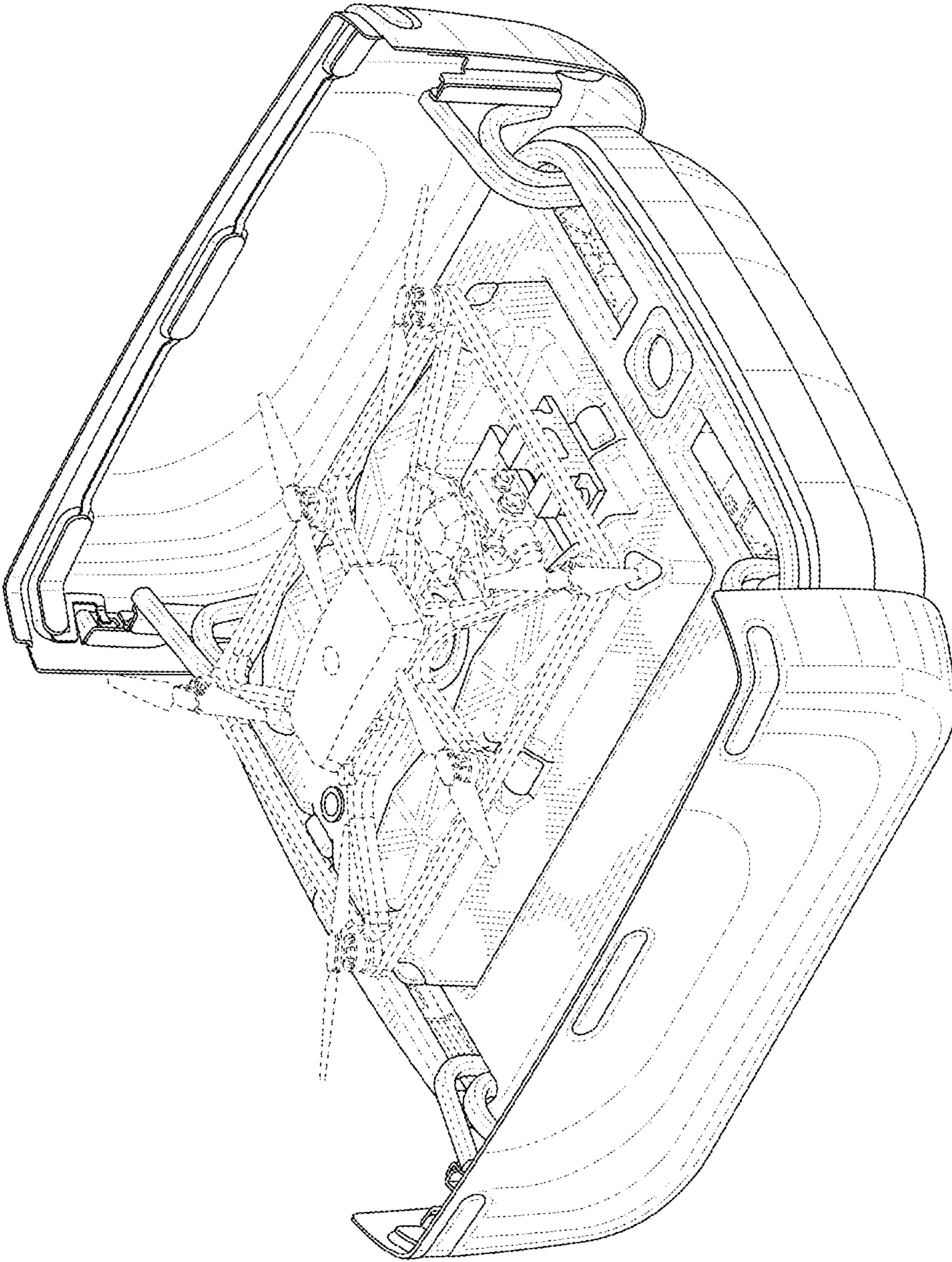






1.15





1.17